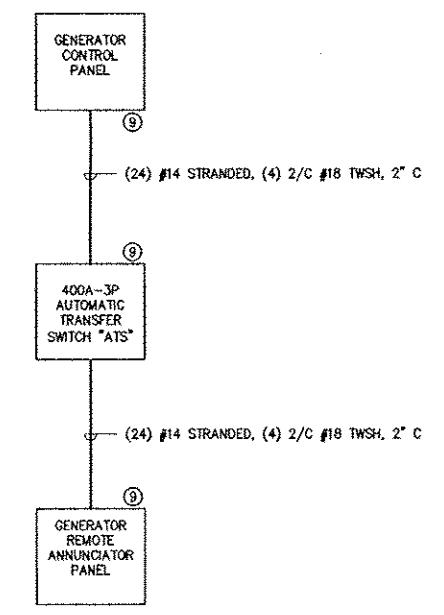
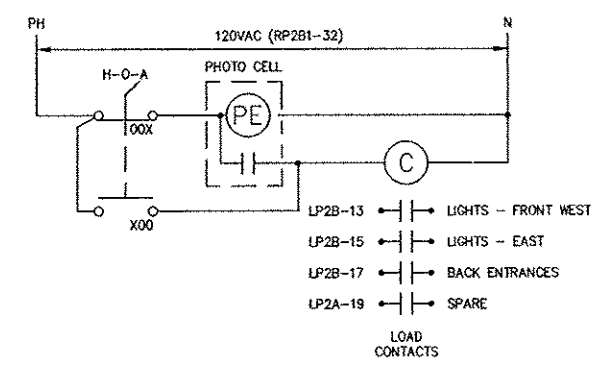


1 COUNCIL CHAMBERS AUDIO VISUAL SYSTEM RISER DIAGRAM
E5.2 NTS

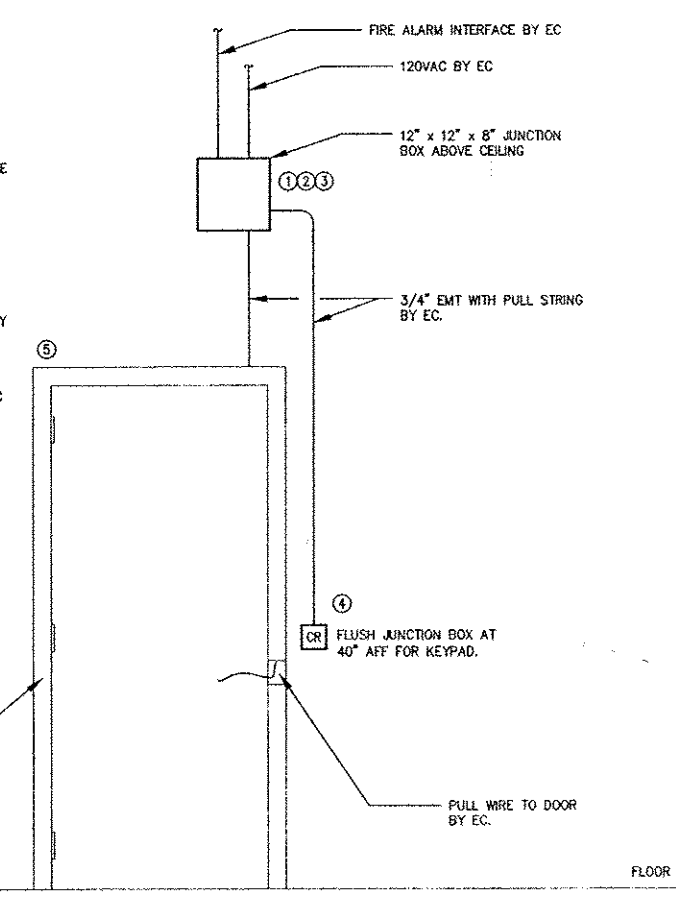


2 GENERATOR CONTROL WIRING RISER
E4.1 NTS



2 QLC2B - OUTSIDE LIGHTING CONTACTOR DIAGRAM
E5.2 NTS

- NOTES:
- THIS IS A TYPICAL DIAGRAM ONLY AND SHOULD BE USED AS A TYPICAL DIAGRAM ONLY. EC SHALL COORDINATE EXACT WIRING REQUIREMENTS AND ALL OTHER REQUIREMENTS WITH GC AND OWNER.
 - ALL 120VAC AND FIRE ALARM CONNECTIONS TO DOOR LOCK OPERATOR PROVIDED AND INSTALLED BY EC.
 - ALL LOW VOLTAGE WIRING AND POWER SUPPLY / CONTROLLER MODULE PROVIDED AND INSTALLED BY GC.
 - CARD READER PROVIDED AND INSTALLED BY GC.
 - UNLESS INSTRUCTED OTHERWISE IN WRITING BY GC AND OWNER ALL DOOR LOCKING MECHANISMS MUST BE AUTOMATICALLY UNLATCHED (UNLOCK DOOR) UNDER EMERGENCY CONDITIONS.



1 DOOR ACCESS RISER DIAGRAM
E5.3 1/16"=1'-0"

NOTES
① NONE

THE EAST GROUP, P.A.
Engineering Architecture Surveying Technology
100 S. S. Lee St., Greensboro, NC 27401-2500 (919) 276-3300 (919) 276-3300

CITY OF GREENVILLE
ADMINISTRATIVE OFFICES
ADDITIONS AND RENOVATIONS
GREENVILLE, NORTH CAROLINA

EXISTING GUC BUILDING
ELECTRICAL MISCELLANEOUS
RISER DIAGRAM

PROJECT TITLE

DATE: 05-28-04
DRAWN BY: EHA
CHECKED: [Signature]
SCALE: AS SHOWN

E5.2

200.50141