

APPENDIX A
HYDROLOGIC ANALYSIS

APPENDIX A HYDROLOGIC ANALYSIS

The US Army Corps of Engineers (USACE) HEC-HMS model was used to develop design flows for the primary systems. The secondary systems were modeled in the Storm Water Management Model (SWMM). For each system analyzed, the hydrologic model(s) was selected based on the complexity of the stormwater conveyance system.

The US Army Corps of Engineers (USACE) HEC-HMS model was selected to model the primary systems defined as the main stems of Parkers Creek and Johnsons Mill Run. HEC-HMS simulates the surface runoff response to precipitation for an interconnected system of surfaces, channels, and ponds. Input data for the HEC-HMS model was developed using topographic, land use, and soils maps in GIS to delineate and calculate the basin areas and SCS hydrologic parameters. The HEC-HMS model offers a variety of methods for simulating the rainfall-runoff response, hydrograph development, channel and pond routing. The selection of methods for the analyses is based on the study objectives, data availability, and watershed characteristics. The precipitation data for the 24-hour duration, NRCS Type III storm was used to represent the synthetic rainfall event. The NRCS curve number approach was selected to calculate runoff volumes from the precipitation data, and the sub-basin unit hydrographs for these flood volumes were developed using the NRCS lag times. Where appropriate, reservoir routing was selected to model attenuation behind culvert embankments.

For the larger secondary systems that may: (a) have significant backwater effects from rising water surface elevations within the Primary Systems, (b) have attenuation within drainage ditches or behind roadways, and (c) show a sensitivity to the timing response of runoff to rainfall, the SWMM model developed by the US Environmental Protection Agency (EPA) was selected as the hydrologic and hydraulic model. The NRCS curve number approach was selected to calculate runoff volumes from the precipitation data, and the sub-basin unit hydrographs for these flood volumes were developed using the watershed width parameter. SWMM simulates the surface runoff response to precipitation for an interconnected system of surfaces, channels, and ponds. Input data for the SWMM model was developed using topographic data, land use data, and soils maps in GIS to delineate and calculate the basin areas and NRCS hydrologic parameters. The SWMM model offers a variety of methods for simulating the rainfall-runoff response, hydrograph development, and channel routing. One advantage to using SWMM to model both hydrology and hydraulics is that channel routing is modeled in the EXTRAN (hydraulics) block automatically based on the geometry and nature of the conveyance system. This eliminates the need to iterate between a hydrologic model and a hydraulic model to produce reasonable flows. **Table A-1** lists the different systems and the modeling methodology applied to each system.

Table A-1: Project Area Model Selection

Project Area	Model Selection
Parkers Creek Main Stem	HEC-HMS
Parkers Creek Lateral 1	HEC-HMS
Parkers Creek Lateral 2	HEC-HMS
Johnsons Mill Run Primary System	HEC-HMS
Countryside/Oak Grove Estates System	SWMM
Greenfield Terrace System	SWMM
Haw Drive System	SWMM

Watershed Delineation and Connectivity

Watersheds were delineated for the Primary Systems and for each of the five (5) secondary systems utilizing digital LiDAR data available from the State of North Carolina and the stormwater inventory. The preliminary watersheds were created using automated procedures in a GIS platform and then adjusted as necessary based on the conveyance system and known ridge lines. Each flood control project watershed for the Primary Systems was subdivided into sub-watersheds selected at hydrologically and hydraulically significant points, such as major roadway crossings, stream convergences, known problem areas, etc. Each sub-watershed for the secondary systems was selected as the area that drained to each inlet modeled on the secondary system. Sixteen (16) sub-watersheds were delineated for the Primary Systems ranging in size from 20 to 346 acres. Sub-watersheds were delineated as necessary for the secondary systems to accurately model the hydraulics of the system. The watershed maps included in Appendix C illustrate the sub-watershed and hydrologic connectivity for the primary system.

Soils

The NRCS curve number method uses basin characteristics, such as soil types and land use, to compute the runoff response. The infiltration rate of a soil influences the volume of surface runoff that results from given storm events. Soils with high infiltration rates produce lower runoff than soils with lower infiltration rates. The Soil Conservation Service has prepared soil maps for Pitt County that identify four primary soil groups. This data is available digitally and was obtained for the City of Greenville.

The groups (A, B, C, and D) correspond to decreasing rates of infiltration. A general description of the four soil groups taken from the USDA, SCS, NEH-4 (1972) is presented in **Table A-2**.

Table A-2: Hydrologic Soils Groups

Soil Group	Description
A	Group A soils have high infiltration rates even when thoroughly wetted and consist chiefly of deep, well to excessively drained sand or gravels. These soils have a high rate of water transmission. (greater than 0.3 inches per hour)
B	Group B soils have moderate infiltration rates even when thoroughly wetted and consist chiefly of moderately deep to deep, moderately well to well drained soils with moderately fine to moderately coarse texture. These soils have a moderate rate of water transmission. (0.15 to 0.3 inches per hour)
C	Group C soils have slow infiltration rates when thoroughly wetted and consist chiefly of soils with a layer that impedes downward movement of water, or soils with moderately fine to fine texture. These soils have a slow rate of water transmission. (0.5 to 0.15 inches per hour)
D	Group D soils have a very slow infiltration rate when thoroughly wetted and consist chiefly of clay soils with a high swelling potential, soils with a permanent high water table, soils with a clay pan or clay layer at or near the surface, and shallow soils over nearly impervious material. These soils have a very slow rate of water transmission. (0 to 0.05 inches per hour)
A/D	The first letter applies to the drained condition and the second to the undrained condition. For the purpose of hydrologic soil group, adequately drained means that the seasonal high water table is kept at least 60 centimeters (24 inches) below the surface.
B/D	The first letter applies to the drained condition and the second to the undrained condition. For the purpose of hydrologic soil group, adequately drained means that the seasonal high water table is kept at least 60 centimeters (24 inches) below the surface.

Soils within the watershed are predominantly NRCS hydrologic soil groups A and D soils, although six (6) different hydrologic soil groups are represented in some quantity in the watersheds (See **Table A-3** and Appendix C).

Table A-3A: Area Distribution of Hydrologic Soil Groups – Parkers Creek

Soil Group	Total Area (acre)	Percent of Total Area
A	2,618	38.5%
B	146	2.1%
C	91	1.3%
D	3,824	56.3%
Water	115	1.7%

Table A-3B: Area Distribution of Hydrologic Soil Groups – Johnsons Mill Run

Soil Group	Total Area (acre)	Percent of Total Area
A	2,161	12.8%
B	134	0.8%
C	658	3.9%
D	13,797	81.8%
Water	127	0.8%

Land Use

Land use is the watershed cover condition as it relates to the actual type of development and zoning within the watershed. Land use influences the runoff characteristics of a watershed, and combined with other basin characteristics, is used to determine the SCS curve number for the basin.

The existing zoned land uses for the watersheds were provided by the City of Greenville. These zoning maps were used to develop peak flows for the watershed. Nine land use categories were delineated within the PC Watershed and eleven in the JMR Watershed based on the information provided and field observation of the current uses (see Appendix C).

In its entirety, the PC/JMR Watershed covers an area of approximately 23,670 acres (37 square miles). The majority of the basin is not currently developed to its zoned land use. Build-out conditions land use were developed based on current zoning. Percentages of each existing land use group and the correlating acreage are listed in **Table A-4** below and future land use in Table A-5.

Table A-4A: Parkers Creek Watershed Existing Land Use

Land Use Category	Area (acres)	Percent of Basin Area
Commercial	270	4.0%
Office/Institutional/Multifamily	325	4.8%
Industrial	987	14.5%
High Density Residential	33	0.5%
Medium Density Residential	322	4.7%
Low Density Residential	284	4.2%
Conservation/Open Space	3,090	45.5%
Agricultural/Cropland	908	13.4%
Right-of-Way	575	8.5%
TOTAL	6,794	100.0%

Table A-4B: Johnsons Mill Run Watershed Existing Land Use

Land Use Category	Area (acres)	Percent of Basin Area
High Density Residential	3	0.02%
Medium Density Residential	30	0.2%

APPENDIX A HYDROLOGIC ANALYSIS

Land Use Category	Area (acres)	Percent of Basin Area
Low Density Residential	139	0.8%
Conservation/Open Space	764	4.5%
Agricultural/Cropland	3,275	19.4%
Barren land	65	0.4%
Deciduous forest/Evergreen	3,899	23.1%
Shrub/Grass/Pasture	4,485	26.6%
Woody wetlands	3,586	21.2%
Emergent herbaceous wetlands	381	2.3%
Right-of-Way	250	1.5%
TOTAL	16,877	100%

Table A-5A Parkers Creek Watershed Future Land Use

Land Use Category	Area (acres)	Percent of Basin Area
Commercial	294	4%
High density residential	445	7%
Industrial	2697	40%
Low density residential	221	3%
Medium density residential	970	14%
Multi-family	496	7%
Open space	741	11%
Right-of-way	450	7%
Very low density residential	479	7%
TOTAL	6,793	100%

Table A-5B: Johnsons Mill Run Watershed Future Land Use

Land Use Category	Area (acres)	Percent of Basin Area
Commercial	178	1.1%
Crops	9280	55%
High density residential	92	0.5%
Industrial	20	0.1%
Low density residential	188	1.1%
Medium density residential	3160	19%
Multi-family	211	1.2%
Open space	2914	17%
Right-of-way	388	2.3%
Very low density residential	439	2.6%
TOTAL	16,877	100%

NRCS Curve Numbers

The NRCS curve number approach was used in computing the runoff response. Runoff curve numbers (RCNs) were generated by using the NRCS (SCS) document entitled Urban Hydrology for Small Watersheds, dated June 1986 and commonly referred to as TR-55. This method relates

APPENDIX A HYDROLOGIC ANALYSIS

the drainage characteristics of the hydrologic soil group, land use category, and antecedent moisture conditions (AMC) to a runoff curve number. The runoff curve number and an estimate of the initial surface moisture storage capacity are used to calculate a total runoff depth for a storm in a basin.

The AMC refers to the total rainfall in a 5-day period preceding a storm and relates to the soil moisture condition at the beginning of the storm event. The AMC value can be used as a calibration tool in the hydrologic computations where AMC-1 represents "dry" conditions and AMC-3 represents "wet" conditions. The average antecedent moisture conditions (AMC-2) are generally considered most representative for the humid southeastern portion of the country and were used for the hydrologic calculations in this study.

Runoff curve numbers were determined for each sub-basin based on the soil group, land use, and average antecedent moisture condition for the area. The curve numbers calculated for this study are listed in **Table A-6** below.

Table A-6: Curve Numbers Based on Land Use and Soil Groups

Land Use Category	Soil Group			
	A	B	C	D
Commercial	89	92	94	95
Office/Institutional/Multifamil	77	85	90	92
High Density Residential	61	75	83	87
Medium Density Residential	54	70	80	85
Low Density Residential	51	68	79	84
Conservation/Open Space	49	69	79	84
Agricultural/Cropland	67	78	85	89
Right-of-Way	83	89	92	93

For each sub-basin, the curve number was determined and weighted by area to calculate the composite curve number for each sub-basin. A summary of the hydrologic input data for the Primary Systems, including the runoff curve numbers, is shown in **Table A-7**. The detailed calculations are included in Appendix E (runoff curve numbers) and Appendix F (times of concentration).

Table A-7A: Summary of Hydrologic Input Data Existing Conditions – Parkers Creek

Drainage Basin ID	Drainage Area (acre)	Existing Conditions RCN	Future Conditions RCN	Time of Concentration (min)
PC_100	83	70.8	72.7	98
PC_200	63	66.9	66.9	78
PC_210	86	66.3	66.6	115
PC_220	175	61.8	61.6	248
PC_230	80	71.9	79.4	160

APPENDIX A HYDROLOGIC ANALYSIS

Drainage Basin ID	Drainage Area (acre)	Existing Conditions RCN	Future Conditions RCN	Time of Concentration (min)
PC_240	132	64.8	75.8	206
PC_250	75	62.0	62.2	174
PC_300	16	75.9	73.1	106
PC_400	180	70.0	71.3	30
PC_500	138	75.6	74.3	100
PC_510	118	78.0	85.3	86
PC_520	18	85.1	86.6	53
PC_530	41	83.4	83.0	115
PC_531	17	81.1	82.3	36
PC_540	10	89.0	89.2	91
PC_550	343	74.0	81.6	331
PC_560	104	69.8	84.5	73
PC_570	266	68.1	75.4	129
PC_571	173	71.4	76.2	452
PC_580	80	72.8	70.3	74
PC_590	110	72.1	75.6	146
PC_600	3	86.7	89.3	45
PC_700	99	75.9	78.7	24
PC_800	102	82.8	84.5	44
PC_810	133	85.9	87.1	103
PC_820	42	80.1	89.0	91
PC_900	296	70.5	71.6	76
PC_1000	108	73.7	87.4	90
PC_1100	116	77.8	85.3	204
PC_1200	71	70.4	82.2	88
PC_1300	86	86.9	86.6	109
PC_1310	178	85.5	87.2	131
PC_1320	22	89.3	90.3	41
PC_1321	47	79.4	88.9	90
PC_1323	17	75.8	85.2	68
PC_1324	21	76.9	90.5	73
PC_1325	31	67.3	87.2	94
PC_1326	68	77.1	88.2	111
PC_1327	30	79.2	78.5	35
PC_1330	88	81.6	83.1	79
PC_1340	65	78.1	78.4	195
PC_1350	63	73.9	78.8	64
PC_1360	53	66.6	65.4	90
PC_1370	59	74.5	74.8	175

APPENDIX A HYDROLOGIC ANALYSIS

Drainage Basin ID	Drainage Area (acre)	Existing Conditions RCN	Future Conditions RCN	Time of Concentration (min)
PC_1400	105	80.2	87.3	154
PC_1500	82	88.6	84.6	93
PC_1600	22	89.3	91.9	73
PC_1610	51	93.0	93.0	61
PC_1620	68	93.0	93.0	190
PC_1700	119	81.4	87.8	116
PC_1800	49	88.2	88.7	78
PC_1810	34	90.5	90.5	64
PC_1820	39	90.5	91.1	99
PC_1830	9	83.9	88.0	48
PC_1900	17	91.1	92.1	18
PC_2000	43	79.2	88.2	183
PC_2010	80	82.7	88.9	75
PC_2100	149	85.7	93.4	246
PC_2200	54	82.2	89.9	53
PC_2300	208	83.2	91.5	87
PC_2310	36	80.5	92.4	124
PC_2400	52	71.9	88.8	94
PC_2410	90	82.9	90.9	99
PC_2500	7	73.3	89.2	37
PC_2510	66	76.9	89.0	60
PC_2520	191	87.0	83.6	283
PC_2521	173	88.2	83.9	792
PC_2530	160	87.0	88.4	293
PC_2540	84	87.4	83.9	398
PC_2600	8	84.8	93.0	64
PC_2610	68	78.2	90.5	155
PC_2620	84	81.2	88.3	108
PC_2700	194	83.1	90.2	186
PC_2800	187	87.1	85.9	200
PC_2900	10	88.4	86.8	94
PC_2910	62	88.3	84.2	134
PC_3000	27	88.3	86.2	137
PC_3100	58	88.2	86.0	102

APPENDIX A HYDROLOGIC ANALYSIS

Table A-7B: Summary of Hydrologic Input Data Existing Conditions – Johnsons Mill Run

Drainage Basin ID	Drainage Area (acre)	Existing Conditions RCN	Future Conditions RCN	Time of Concentration (min)
JMR_1000	90	49.0	66.0	47
JMR_2000	133	63.0	64.7	83
JMR_3000	111	59.2	75.0	149
JMR_3100	322	65.7	74.0	457
JMR_3200	72	64.3	71.3	50
JMR_3210	131	72.6	76.4	232
JMR_3300	72	55.1	64.5	63
JMR_3310	37	61.8	68.6	100
JMR_3312	92	86.0	80.7	82
JMR_3313	59	72.3	76.5	131
JMR_3317	176	60.1	79.5	475
JMR_3318	174	58.9	66.1	377
JMR_3319	16	78.2	86.9	21
JMR_3320	149	80.5	87.4	150
JMR_3321	208	65.3	80.9	148
JMR_3322	84	66.7	82.1	202
JMR_3330	132	78.5	71.8	198
JMR_3331	168	77.4	81.3	103
JMR_3332	28	55.7	68.3	169
JMR_3340	156	73.0	74.7	123
JMR_3341	72	74.4	74.7	195
JMR_3350	51	78.3	78.9	128
JMR_3351	33	74.4	75.4	220
JMR_3352	112	81.0	86.2	173
JMR_3353	59	82.1	84.5	49
JMR_3354	215	71.7	75.6	157
JMR_3355	27	80.6	86.7	45
JMR_3356	182	76.8	81.3	197
JMR_3360	407	69.1	82.1	658
JMR_3370	133	77.8	86.7	245
JMR_3380	127	78.7	83.8	212
JMR_4000	46	64.4	78.9	38
JMR_5000	62	63.9	87.2	89
JMR_6000	17	67.0	76.4	53
JMR_7000	58	74.1	77.0	107
JMR_7100	55	68.9	76.3	54
JMR_8000	46	65.7	83.1	106
JMR_9000	137	66.6	80.3	152

APPENDIX A HYDROLOGIC ANALYSIS

Drainage Basin ID	Drainage Area (acre)	Existing Conditions RCN	Future Conditions RCN	Time of Concentration (min)
JMR_9100	33	55.0	84.0	103
JMR_10000	125	73.4	81.4	66
JMR_11000	87	82.2	88.6	160
JMR_11100	164	75.9	74.4	123
JMR_11110	45	81.4	81.3	104
JMR_11120	123	74.8	75.0	323
JMR_11130	263	70.6	74.8	215
JMR_12000	109	80.4	79.6	174
JMR_13000	237	76.8	84.6	323
JMR_13100	326	75.6	80.1	314
JMR_13200	390	71.9	78.3	407
JMR_13300	37	76.1	83.3	390
JMR_13310	120	72.1	83.1	224
JMR_13320	345	72.8	83.6	680
JMR_13400	192	75.7	82.0	469
JMR_13410	495	73.3	84.0	586
JMR_13500	309	71.4	84.5	579
JMR_13510	195	73.1	87.8	713
JMR_13520	1158	72.1	88.7	1406
JMR_13521	482	75.3	88.8	1131
JMR_13530	92	71.2	89.0	406
JMR_13531	396	73.4	89.0	528
JMR_13532	691	73.4	86.4	477
JMR_13533	601	71.6	88.4	1417
JMR_13534	123	70.0	87.4	224
JMR_13535	338	70.7	89.2	354
JMR_13540	19	72.3	93.0	90
JMR_13541	366	71.3	85.7	391
JMR_13542	311	78.6	86.4	142
JMR_13550	64	74.6	89.0	98
JMR_13551	448	73.1	87.5	514
JMR_13552	378	78.0	88.8	1075
JMR_13553	189	78.3	88.2	352
JMR_13560	378	75.4	89.2	647
JMR_13561	44	74.7	89.2	174
JMR_13562	71	73.6	88.9	319
JMR_13563	689	76.0	88.7	759
JMR_13570	237	76.7	88.8	1380
JMR_13600	176	74.6	86.2	248

APPENDIX A HYDROLOGIC ANALYSIS

Drainage Basin ID	Drainage Area (acre)	Existing Conditions RCN	Future Conditions RCN	Time of Concentration (min)
JMR_13610	371	72.8	88.7	550
JMR_13620	165	64.1	84.4	421
JMR_13700	313	74.7	84.7	883
JMR_14000	23	83.9	86.1	53
JMR_15000	156	76.4	84.7	169
JMR_15100	380	74.7	84.2	209
JMR_16000	370	73.9	84.1	725

Rainfall

Rainfall distributions for Greenville are derived using the NRCS Type III standard distribution. Total rainfall volumes for the modeled frequency storms were based on data published on the NOAA website, http://hdsc.nws.noaa.gov/hdsc/pfds/orb/nc_pfds.html. **Table A-8** shows the total rainfall volumes used for this study based on precipitation data collected in Greenville, North Carolina

Table A-8: Design Storm Rainfall Depths

Design Storm	Rainfall Depth (in)
2-year, 24-hour	3.76
10-year, 24-hour	5.81
25-year, 24-hour	7.23
50-year, 24-hour	8.47
100-year, 24-hour	9.84

While the depth-duration-frequency curves are calculated based on real rainfall data, the rainfall data used for the SWMM and HEC-HMS models represent the Type III synthetic rainfall distribution. Actual runoff is based on several factors including rainfall intensity, duration and the antecedent moisture conditions of the watershed.

Hydrograph Translation

The lag time, as defined by the NRCS for use in the NRCS dimensionless unit hydrograph method, is the time, or lag, between the center of mass of rainfall excess and the peak of the unit hydrograph. The lag time is based on the sub-watershed time of concentration, or travel time, and is a function of the sub-watershed size, shape, slope, cover, and other basin characteristics. For the NRCS method, the sub-watershed lag time is calculated to be 0.6 times the time of concentration for each sub-watershed.

The Snyder Unit Hydrograph (UH) method was used instead of the SCS UH to allow adjustment of the peak rate factor in the HMS model. For flat coastal plan terrain, a peak rate factor between 250-350 is most appropriate for the SCS UH (Sheridan et al, 2002). A peaking factor of 0.4 was applied with the Snyder UH method which is essentially equivalent to using the NRCS UH with

the lower peak rate factor.

The times of concentration for the sub-watersheds were calculated from the methodology described in TR-55. A summary of the calculations is shown in Appendix F. The longest flow path is divided into three types of flow; overland flow, shallow concentrated flow, and channel flow. A spreadsheet was developed to tabulate the incremental travel times for each type of flow for each sub-basin. The incremental travel times were totaled and multiplied by 0.6 to compute the lag time for each sub-basin. The equation detailing the travel time for sheet flow is as follows:

$$T_t = \frac{0.007 (nL)^{0.8}}{(P2)^{0.5} S^{0.4}}$$

- Tt = Travel Time in hours
- n = Manning Roughness Coefficient (Paved=0.011, Unpaved=0.24)
- L = flow length in feet
- P2 = 2-year, 24 hour rainfall = 3.76 inches
- S = slope of hydraulic grade line (land slope in ft/ft)

For shallow concentrated flow, the velocity (V) is calculated for either paved or unpaved sections by using the following equations:

$$\begin{aligned} \text{Unpaved } V &= 16.1345 (S)^{1/2} \\ \text{Paved } V &= 20.3282 (S)^{1/2} \end{aligned}$$

The travel time for shallow flow is then calculated by dividing the flow length (L in feet) by velocity as follows:

$$T_t = \text{Travel Time} = L / (3600 * V)$$

The open channel travel times are determined by a modified version of the Manning equation, which is as follows:

$$V = \frac{1.49 R^{2/3} S^{0.5}}{n}$$

- V = Average full-flow velocity
- (ft/s) R = Hydraulic radius (ft)
- S = Slope of hydraulic grade line
- (ft/ft) n = Manning roughness coefficient

Instead of a time of concentration parameter, the SWMM model uses a watershed width parameter to create the unit hydrograph used in the model that will translate the rainfall into

runoff. The watershed width is a parameter unique to SWMM that typically represents the watershed area divided by the longest flow path. The width parameter is typically calibrated to flow gauge data, if available. The PC/JMR Watershed lacks flow gauge data, so the peak flows from SWMM were compared to flows developed using the regression equations. Based on the flow comparison, the watershed widths for each basin were increased in some instances to produce reasonable flows. Increasing the watershed width parameters is not an uncommon practice for calibrating models for areas with gradual slopes and moderate conveyance systems.

For the remainder of the smaller sub-watersheds of the secondary systems concentration values were assumed to be between 5 and 15 minutes.

Channel Elements

Flood peaks attenuate, or reduce, as they travel downstream due to the storage characteristic of the stream reach. The Muskingum-Cunge routing method in HEC-HMS was selected to define the storage characteristic of selected stream reaches in the PC/JMR Watersheds. It can be described as a hydrologic routing method based on physical parameters of the channel and floodplain. Input data for this method consists of representative channel/floodplain sections, reach length, Manning's roughness coefficient, and channel bed slope. This method provides advantages over other hydrologic techniques based on the relative size and slope of the channels and floodplains in the watershed.

Structure and Pond Routing

For channels within the extents of the HEC-RAS modeled streams, modified Puls storage routing was used for routing hydrographs through the storage reaches. This method accounts for storage upstream from undersized structures (culverts) as well as most accurately throughout all reaches using the channel and floodplain dimensions included in the HEC-RAS model. HEC-HMS is able to model the effects of an undersized culvert through inputs defining the relationship between water volume or area and elevation and the relationship between outflow and water surface elevations. The relationship between outflow and water surface elevations is developed using an iterative process between HEC-HMS and HEC-RAS. A rating curve generated using HEC-RAS defines the outflow of the water leaving this system.

However, the method described in the previous paragraph does not account for the reduction in tailwater on the structure due to the attenuation effects of the upstream storage, which in turn can affect the stage-discharge relation of the structure. Therefore, an iterative process for storage structures was followed with an objective to obtain a set of peak discharge values, runoff volumes, and water surface elevations that are "balanced" between the two models. The process was initiated by inputting a set of discharges into the HEC-RAS model to develop a set of discharge-storage relations for each reach. This initial set of relations was input into the HEC-HMS model. These values were supplemented by the depth-storage relation for each structure.

The HEC-HMS model was run with these values to derive new discharges at downstream

APPENDIX A HYDROLOGIC ANALYSIS

locations. These new values were input into the HEC-RAS model and it was recomputed. The new discharges and water surface elevations listed in the HEC-HMS summary output were compared with the discharges listed in the previous HEC-RAS run. When the values stabilized, the model was considered “balanced”. If not then additional iterations were performed. Typically, three iterations are adequate to derive a balanced model.

Summary of Hydrologic Model Results

The HEC-HMS model was used to compute peak runoff for the 2-, 10-, 25-, 50- and 100- year design storms for the existing conditions.

The results of the hydrologic model are summarized in **Table A-9** for existing conditions and **Table A-10** for future conditions. The HEC-HMS input and output are included in Appendix H. Additionally, a CD is included in Appendix J and contains the digital files for the HEC-HMS model.

Table A-9A: Existing Conditions Flows from HEC-HMS

HEC-HMS Node	Road Name / Location	HEC-RAS Station	Storm Event				
			2-year (cfs)	10-year (cfs)	25-year (cfs)	50-year (cfs)	100-year (cfs)
Parkers Creek							
J_PC_2300	US Hwy 264 Entrance Ramp	XS-29594	175	382	549	705	874
J_PC_2000	Memorial Drive and US Hwy 264	XS-27742	231	469	661	825	1,012
J_PC_1800	Railroad Bridge	XS-26062	261	517	728	898	1,096
J_PC_1500	Staton Road	XS-21432	305	586	807	1,012	1,242
J_PC_1200	Industrial Boulevard	XS-17681	429	834	1,124	1,447	1,795
J_PC_1200	Old Creek Road	XS-17049	429	834	1,124	1,447	1,795
J_PC_1000	Farm Culvert 2	XS-16107	427	880	1,183	1,516	1,884
J_PC_1000	Farm Culvert 1	XS-15749	427	880	1,183	1,516	1,884
J_PC_800	Pactolus Highway	XS-10165	458	970	1,300	1,659	2,064
J_PC_400	Mumford Road	XS-5784	522	1,134	1,589	2,016	2,525
J_PC_200	D/S Limit of Parkers Creek	XS-5229	545	1,191	1,682	2,151	2,713
Parkers Creek - Lateral 1 (south)							
J_PC_531	U/S Limit of Parkers Cr- Lateral 1	XS-5182	8	17	25	31	39
J_PC_530	Memorial Drive	XS-4219	55	148	235	315	404
J_PC_510	Railroad Bridge	XS-2910	73	189	299	394	500
J_PC_510	N. Greene Street	XS-2747	73	189	299	394	500
J_PC_L1	D/S Limit of Parkers Cr- Lateral 1	XS-962	90	230	361	476	603
Parkers Creek - Lateral 2 (north)							
J_PC_1340	U/S Limit of Parkers Cr-	XS-9978	7	17	25	33	41

APPENDIX A HYDROLOGIC ANALYSIS

HEC-HMS Node	Road Name / Location	HEC-RAS Station	Storm Event				
			2-year (cfs)	10-year (cfs)	25-year (cfs)	50-year (cfs)	100-year (cfs)
	Lateral 2						
J_PC_1320	Memorial Drive	XS-6192	80	202	301	391	495
J_PC_1320	Railroad Culvert	XS-5987	80	202	301	391	495
J_PC_1320	Private crossing (bridge)	XS-5330	80	202	301	391	495
J_PC_1310	0.5 mile below Railroad	XS-2950	113	268	386	496	621
J_PC_L2	D/S Limit of Parkers Cr- Lateral 2	XS-816	128	304	438	560	699
Johnsons Mill Run							
J_JMR_9000	U/S Limit of Johnsons Mill Run	XS-11718	349	844	1,253	1,640	2,086
J_JMR_6000	Mount Pleasant Church Road	XS-9099	350	847	1,250	1,638	2,085
J_JMR_5000	Belvoir Highway (NC 33)	XS-7850	350	848	1,251	1,640	2,088
J_JMR_3000	0.4 mile below NC Hwy 43	XS-5427	562	1,276	1,850	2,393	3,052
J_JMR_2000	Old River Road	XS-3307	566	1,281	1,859	2,391	3,062
J_JMR_OUT	D/S Limit of Johnsons Mill Run	XS-271	566	1,283	1,860	2,393	3,061

Table A-10: Future Conditions Flows from HEC-HMS

HEC-HMS Node	Road Name / Location	HEC-RAS Station	Storm Event				
			2-year (cfs)	10-year (cfs)	25-year (cfs)	50-year (cfs)	100-year (cfs)
Parkers Creek							
J_PC_2300	US Hwy 264 Entrance Ramp	XS-29594	216	445	619	779	955
J_PC_2000	Memorial Drive and US Hwy 264	XS-27742	293	556	746	917	1,090
J_PC_1800	Railroad Bridge	XS-26062	332	609	816	995	1,192
J_PC_1500	Staton Road	XS-21432	367	672	901	1,115	1,336
J_PC_1200	Industrial Boulevard	XS-17681	520	939	1,272	1,599	1,950
J_PC_1200	Old Creek Road	XS-17049	520	939	1,272	1,599	1,950
J_PC_1000	Farm Culvert 2	XS-16107	522	1,001	1,341	1,684	2,057
J_PC_1000	Farm Culvert 1	XS-15749	522	1,001	1,341	1,684	2,057
J_PC_800	Pactolus Highway	XS-10165	556	1,099	1,462	1,833	2,246
J_PC_400	Mumford Road	XS-5784	632	1,309	1,782	2,242	2,764
J_PC_200	D/S Limit of Parkers Creek	XS-5229	661	1,376	1,897	2,401	2,973
Parkers Creek - Lateral 1 (south)							
J_PC_531	U/S Limit of Parkers Cr- Lateral 1	XS-5182	8	18	25	32	39

APPENDIX A HYDROLOGIC ANALYSIS

HEC-HMS Node	Road Name / Location	HEC-RAS Station	Storm Event				
			2-year (cfs)	10-year (cfs)	25-year (cfs)	50-year (cfs)	100-year (cfs)
J_PC_530	Memorial Drive	XS-4219	71	194	286	370	470
J_PC_510	Railroad Bridge	XS-2910	93	247	363	466	582
J_PC_510	N. Greene Street	XS-2747	93	247	363	466	582
J_PC_L1	D/S Limit of Parkers Cr-Lateral 1	XS-962	109	287	423	544	682
Parkers Creek - Lateral 2 (north)							
J_PC_1340	U/S Limit of Parkers Cr-Lateral 2	XS-9978	7	18	26	33	41
J_PC_1320	Memorial Drive	XS-6192	109	246	351	446	553
J_PC_1320	Railroad Culvert	XS-5987	109	246	351	446	553
J_PC_1320	Private crossing (bridge)	XS-5330	109	246	351	446	553
J_PC_1310	0.5 mile below Railroad	XS-2950	143	310	435	549	677
J_PC_L2	D/S Limit of Parkers Cr-Lateral 2	XS-816	156	345	485	612	754
Johnsons Mill Run							
J_JMR_9000	U/S Limit of Johnsons Mill Run	XS-11718	646	1,263	1,734	2,159	2,648
J_JMR_6000	Mount Pleasant Church Road	XS-9099	647	1,260	1,731	2,158	2,647
J_JMR_5000	Belvoir Highway (NC 33)	XS-7850	648	1,261	1,734	2,161	2,652
J_JMR_3000	0.4 mile below NC Hwy 43	XS-5427	890	1,754	2,442	3,055	3,729
J_JMR_2000	Old River Road	XS-3307	890	1,756	2,430	3,046	3,743
J_JMR_OUT	D/S Limit of Johnsons Mill Run	XS-271	890	1,757	2,431	3,049	3,750

Comparison of Peak Flows

For comparison purposes, flood peaks were estimated using the U.S. Geological Survey (USGS) publication entitled "The National Flood-Frequency Program – Methods for Estimating Flood Magnitude and Frequency in Rural and Urban Areas in North Carolina – USGS Fact Sheet 007-00" (2001) at key locations within the watershed. **Table A-11** compares the peak flows determined from the USGS regional regression equations the Coastal-Plain region versus the peak flows from HEC-HMS.

Table A-11: Comparison of Existing Conditions Peak Flows

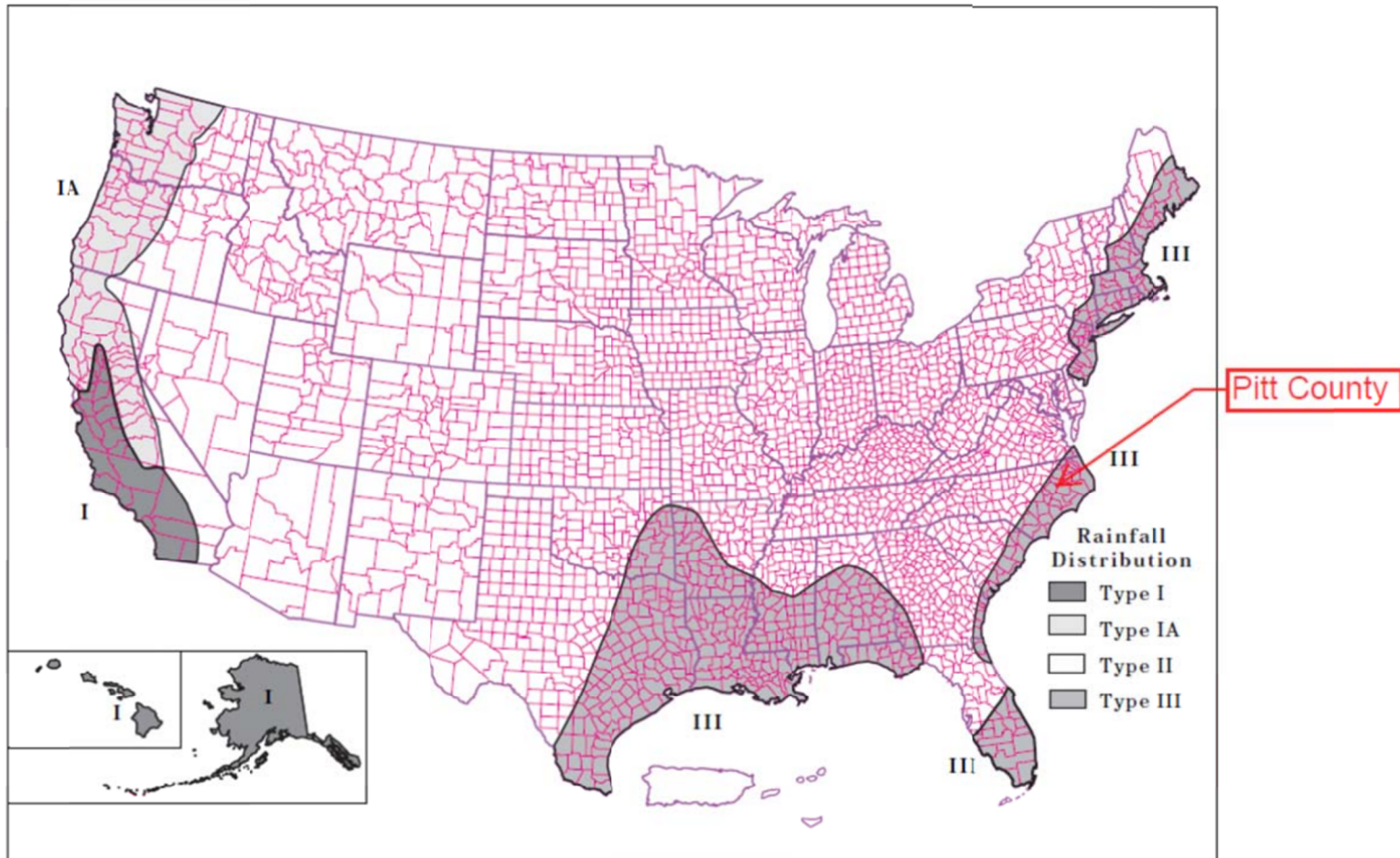
Methodology	Location	2-Year (cfs)	10-Year (cfs)	25-Year (cfs)	50-Year (cfs)	100-Year (cfs)
Parkers Creek						
HEC-HMS	D/S Limit of Parkers Creek	532	1,169	1,620	2,045	2,556

APPENDIX A HYDROLOGIC ANALYSIS

Methodology	Location	2-Year (cfs)	10-Year (cfs)	25-Year (cfs)	50-Year (cfs)	100-Year (cfs)
USGS Regression Coastal-Plains (2001)	D/S Limit of Parkers Creek	457	1,100	1,620	1,967	2,324
Parkers Creek - Lateral 1 (south)						
HEC-HMS	D/S Limit of Parkers Creek - Lateral 1	90	230	361	476	603
USGS Regression Coastal-Plains (2001)	D/S Limit of Parkers Creek - Lateral 1	101	283	417	539	682
Parkers Creek - Lateral 2 (north)						
HEC-HMS	D/S Limit of Parkers Creek - Lateral 2	128	304	438	560	699
USGS Regression Coastal-Plains (2001)	D/S Limit of Parkers Creek - Lateral 2	87	248	366	475	603

APPENDIX A HYDROLOGIC ANALYSIS

Figure B-2 Approximate geographic boundaries for NRCS (SCS) rainfall distributions



Source: TR-55 (June, 1986)

APPENDIX B
HYDRAULIC ANALYSIS

APPENDIX B HYDRAULIC ANALYSIS

The purpose of the hydraulic modeling analysis is to determine an existing level of flooding for the stormwater drainage network and to develop proposed solutions to mitigate flooding, on both the primary systems and the secondary systems. Three different modeling methodologies were used depending on the complexity and location of the conveyance system. For the primary systems comprised of Parkers Creek and Johnsons Mill Run, the Hydrologic Engineering Center River Analysis System (HEC-RAS) was used for hydraulic modeling. For secondary systems, the Storm Water Management Model (SWMM) developed by the US Environmental Protection Agency (EPA) was used to calculate the hydraulic grade lines using an energy grade based approach. Table B-1 lists the project areas that were modeled using each approach.

Table B-1: Project Area Model Selection

Project Area	Model Selection
Parkers Creek Primary System	HEC-RAS
Parkers Creek Tributary 1 Primary System	HEC-RAS
Parkers Creek Tributary 2 Primary System	HEC-RAS
Johnsons Mill Run Primary System	HEC-RAS
Countryside/Oak Grove Estates System	SWMM
Greenfield Terrace System	SWMM
Haw Drive System	SWMM

HEC-RAS Model

The HEC-RAS model calculates water surface profiles for steady, gradually varied flow, both sub-critical and supercritical, for user-specified discharges. The standard step backwater analysis for sub-critical flow was modeled for the Parkers Creek and Johnsons Mill Run Primary Systems. The model calculates the effect of obstructions, such as culverts, and building structures in the channel and floodplain on the water surface profile. The hydraulic computations are based on the solution of a one-dimensional energy equation with energy loss due to friction evaluated by Manning's equation.

Input data for the HEC-RAS computer model includes the following:

- Cross-section geometry of the channel and floodplain.
- Roughness coefficients to describe the characteristics of the channel and floodplain.
- Size, shape, and characteristics of culverts and roadways along the stream reach.
- Energy loss coefficients for flow in the channel and at roadway crossings.

Primary System Study Limits

As discussed with City of Greenville stormwater staff, study limits for the hydraulic evaluation of the primary systems include Parkers Creek from its confluence with the Tar River at the downstream end to approximately 1,700 feet upstream of the Highway 264 northwest access entrance ramp and Johnsons Mill Run from its confluence with the Tar River at the downstream end to approximately 2,800 feet upstream of Mount Pleasant Church Road.

Stormwater Inventory

For the Parkers Creek/Johnsons Mill Run PC/JMR Watershed Master Plan, stormwater utility infrastructure throughout the watershed was collected by CDM Smith personnel to compile a Geographic Information System (GIS) stormwater inventory database for the City. This was accomplished by using Global Positioning Systems (GPS) as the primary means of data capture. CDM Smith employed survey grade GPS to locate the x, y, and z coordinates of each visible stormwater system structure and conventional surveying techniques to obtain other attributes including but not limited to size, material, slope, and length. Additionally, attributes were also collected for select streams and open channel. Data was obtained for those streams and open channels required to complete connectivity for modeling purposes. The data was collected using horizontal datum NAD 1983 and vertical datum NAVD 1988

Attributes collected as part of the inventory were used to populate the various models. Field visits and digital photographs for each structure and channel were used to estimate the roughness coefficients and energy loss coefficients. The topographic data used for the PC/JMR Watershed Master Plan was the State of North Carolina's LiDAR data.

Cross Sections

Cross section surveys had recently been completed for sections of both Parkers Creek and Johnsons Mill Run as part of the State's floodplain mapping program. These surveyed cross sections were augmented with additional cross sections surveyed by CDM Smith. The surveyed cross section points were then merged with the digital elevation model based on the LiDAR data. Cross sections were located perpendicular to the flow and at intervals along the stream to characterize the flow capacity of the channel and floodplain for the primary system. Along stream reaches where the shape, size, and geometry of the cross-section are varying, cross sections were cut at closer intervals than for reaches having little change in channel characteristic. Additional sections were cut as required by the HEC-RAS program to sufficiently model structures such as culverts.

Surveyed cross sections are identified by station number, which for the HEC-RAS model, refers to the approximate linear distance upstream from a reference point on the main channel or tributary reach. The cross sections depict the locations of cut sections from field topographic surveys. Similarly, the cross section at each road crossing represents the top-of-road cross section. The cross sections just upstream and just downstream of highest point of roadway (commonly referred to as the weir) represent the locations of the upstream and downstream faces, respectively, of the bridge or culvert in an area not impacted by roadway fill.

Roughness Coefficients

Manning's roughness coefficients, or 'n' values, represent the resistance to flow and influence the flow capacity of channels and floodplains. The HEC-RAS model uses these coefficients to compute friction loss longitudinally in the channel and floodplain. The roughness value is a function of the type and density of the vegetation, channel bottom and stream bank material, degree of channel meandering, and depth of flow.

Roughness coefficients were determined for all stream reaches for which hydraulic analyses were performed. The "horizontal variation in n-values" option was enabled to allow for correct modeling of the widely varied surfaces on a given cross-section. For example, many cross-

APPENDIX B HYDRAULIC ANALYSIS

sections sufficient to represent the roughness of the floodplain and channel in the study area, one for the channel section, one for the right overbank floodplain, and one for the left overbank floodplain. The right or left bank of the stream is referenced facing downstream. Roughness coefficients used in this study are listed in Table B-2.

Table B-2A: Roughness Coefficients – Parkers Creek

Location	Range of 'n' values
Main Channel	0.04 - 0.065
Left Overbank	0.06 - 0.15
Right Overbank	0.03 - 0.15

Table B-2B: Roughness Coefficients – Parkers Creek Lateral I (south)

Location	Range of 'n' values
Main Channel	0.04 - 0.055
Left Overbank	0.035 - 0.12
Right Overbank	0.035 - 0.12

Table B-2C: Roughness Coefficients – Parkers Creek Lateral I (south)

Location	Range of 'n' values
Main Channel	0.045
Left Overbank	0.06 - 0.10
Right Overbank	0.03 - 0.10

Table B-2D: Roughness Coefficients – Johnsons Mill Run

Location	Range of 'n' values
Main Channel	0.055 - 0.065
Left Overbank	0.06 - 0.15
Right Overbank	0.06 - 0.15

All roughness coefficients were estimated through field observation and by referencing standard engineering manuals.

Culvert and Roadway Data

Culverts generally have different characteristics than the channel and floodplains away from roadway crossings. Often culverts constrict flood flows in the channel and floodplain, which may create backwater effects upstream of the structure. The constriction can produce increased velocities and result in localized scour.

For culvert analysis, the HEC-RAS model utilizes the concepts of "inlet" control and "outlet" control to simplify complicated culvert hydraulics. Inlet control flow occurs when the flow carrying capacity of the culvert entrance is less than the flow capacity of the culvert barrel. Outlet control flow occurs when the culvert carrying capacity is limited by downstream conditions or by the flow capacity of the culvert barrel.

APPENDIX B HYDRAULIC ANALYSIS

During inlet control computations, the culvert inlet acts as either a weir or an orifice, and the resulting headwater is computed. The equations used by HEC-RAS are the same as those developed by the Federal Highway Administration during extensive laboratory testing, which describe the inlet control headwater under various conditions.

For outlet control flow conditions, the required headwater is computed considering various conditions. For culverts flowing full, a form of the Bernoulli Equation, which considers friction losses, entrance losses and exit losses is utilized. Friction losses are based on Manning's equation. Entrance losses are computed as a coefficient times the velocity head in the culvert at the upstream end. Exit losses are computed as a coefficient times the change in velocity head from just inside the culvert (at the downstream end) to outside the culvert.

When the culvert is not flowing full, the direct step backwater procedure is used to calculate the profile through the culvert up to the culvert inlet. An entrance loss is then computed and added to the energy inside the culvert to obtain the upstream headwater. Culvert input data for the HEC-RAS model include:

- Shape and dimensions of the structure openings;
- Culvert length;
- Entrance loss coefficient, exit loss coefficient and coefficient of discharge for weir flow during roadway overtopping;
- Upstream and downstream invert elevations;
- Federal Highway Administration chart number for the culvert type;
- Top-of-road elevations to describe the weir during roadway overtopping and the weir crest length; and
- Four cross sections are required; one cross section sufficiently downstream of the culvert that flow is not affected by the culvert, one at the downstream end of the culvert, one at the upstream end of the culvert, and one located far enough upstream that the culvert has no effect on flow.

Energy Loss Coefficients

Contraction and expansion of flow produces energy losses caused by the transition. The magnitude of these losses is related to the velocity and the estimated loss coefficient. Where the transitions are gradual, the losses are small. At abrupt changes in cross-sectional area, the losses are higher. Energy losses resulting from expansion are greater than losses associated with contraction. Energy loss coefficients used for the watershed hydraulic models are presented in Table B-3.

Table B-3: Energy Loss Coefficients

Type of Transition	Expansion	Contraction
None	0	0
Gradual	0.3	0.1
Culvert sections	0.5	0.3

Starting Water Surface Elevation

The starting water surface elevations for the Parkers Creek and Johnsons Mill Run HEC-RAS models were calculated using the slope-area method, which is based on normal depth. The

calculated slopes are as follows:

- Parkers Creek – 0.0004 feet/feet;
- Parkers Creek Lateral 1 – 0.0005;
- Parkers Creek Lateral 2 – 0.0005; and
- Johnsons Mill Run–0.005feet/feet

Model Run Descriptions and Assumptions

The HEC-RAS model was used to compute flood elevations at each cross-section for Parkers Creek and Johnsons Mill Run Primary System for the 2-, 10-, 25-, 50- and 100-year floods. A hard copy of the HEC- RAS input and output is included in Appendix H, while a digital copy of the input and output is located on the CD in Appendix J.

The hydraulic analysis for this study is based only on the condition of unobstructed flow. Therefore, flood elevations shown on the profiles are considered valid only if hydraulic structures remain unobstructed and do not fail. Flood elevations may be raised by debris blockage of the culvert, channel, or floodplain.

Model Validation

Efforts were made to verify the models for various storm events. Feedback obtained from the questionnaires was reviewed for relevant information that could be used to verify the model. The comments and responses received were not specific enough to verify the model. Likewise, the information received during the public meetings was not useful for the purposes of verifying the models. The City Staff was able to provide some feedback that was useful during the model validation process.

During the validation process, the flows and water surface elevations calculated were determined to be significantly higher than the FEMA flow and base flood elevations. Furthermore, the results from the initial existing conditions model were not aligned with some of the feedback received from the City. At this point, the decision was made to use a Type III NRCS Storm versus a Type II. The Type III storm was selected based on the location of the City of Greenville. It is located close to the boundary of between Type II and III. The results presented in this report have incorporated this change.

Open Channel Systems and Roadway Flooding

Thirteen (13) crossings were analyzed for flooding potential in the PC/JMR Watershed Master Plan. All roadway crossings that were analyzed in this study are listed in Tables B-5A and B including the minimum top-of-road elevations and the 2-, 10-, 25-, 50- and 100-year flood elevations at the crossing for existing and proposed conditions.

APPENDIX B HYDRAULIC ANALYSIS

Table B-4A: Overtopping Analysis of Roadway Crossings – Parkers Creek

Location	Minimum Elevation at Top of Road (feet NAVD)	Calculated Water Surface Elevations (feet NAVD)				
		2-year flood	10-year flood	25-year flood	50-year flood	100-year flood
Existing Conditions						
US Hwy 264 Entrance Ramp	34.07	24.91	26.70	27.67	28.48	29.77
Memorial Drive and US Hwy 264	34.00	24.71	26.47	27.39	28.09	29.21
Railroad Bridge	28.67	24.54	26.08	26.78	27.28	27.79
Staton Road	23.62	21.22	23.75	24.20	24.39	24.56
Industrial Boulevard	20.63	19.21	20.10	21.01	21.34	21.66
Old Creek Road	20.66	18.86	19.68	20.29	20.73	21.36
Farm Culvert 2	16.90	18.47	19.33	20.05	20.51	21.02
Farm Culvert 1	17.59	18.22	19.12	19.95	20.42	20.92
Pactolus Highway	21.70	11.33	13.18	14.22	15.15	16.18
Alternative 1						
US Hwy 264 Entrance Ramp	34.07	24.74	26.45	27.43	28.26	29.28
Memorial Drive and US Hwy 264	34.00	24.51	26.18	27.11	27.82	28.66
Railroad Bridge	28.67	24.31	25.74	26.44	26.93	27.43
Staton Road	23.62	18.72	21.23	22.26	23.31	24.00
Industrial Boulevard	20.63	17.56	19.93	20.28	20.67	21.09
Old Creek Road	20.66	17.15	19.77	19.96	20.15	20.40
Farm Culvert 2	16.90	16.77	19.68	19.77	19.84	19.90
Farm Culvert 1	17.59	16.06	19.66	19.50	19.37	19.80
Pactolus Highway	21.70	10.19	12.00	13.00	13.88	14.73
Mumford Road	15.77	6.57	8.14	9.06	9.82	10.51
Alternative 2						
US Hwy 264 Entrance Ramp	34.07	24.91	26.63	27.64	28.49	29.80
Memorial Drive and US Hwy 264	34.00	24.71	26.39	27.34	28.06	29.20
Railroad Bridge	28.67	24.53	25.99	26.73	27.25	27.78
Staton Road	23.62	21.12	22.62	23.30	24.02	24.28
Industrial Boulevard	20.63	19.96	20.79	21.33	21.54	21.66
Old Creek Road	20.66	19.79	20.20	20.73	20.81	21.36
Farm Culvert 2	16.90	19.69	19.85	20.06	20.52	21.02
Farm Culvert 1	17.59	19.58	19.36	19.96	20.44	20.92
Pactolus Highway	21.70	11.33	13.18	14.22	15.15	16.18

*Bold print indicates overtopping and red indicates not meeting LOS.

APPENDIX B HYDRAULIC ANALYSIS

Table B-4B: Overtopping Analysis of Roadway Crossings – Parkers Creek – Lateral 1 (south)

Location	Minimum Elevation at Top of Road (feet NAVD)	Calculated Water Surface Elevations (feet NAVD)				
		2-year flood	10-year flood	25-year flood	50-year flood	100-year flood
Existing Conditions						
Memorial Drive Culverts	23.71	14.04	16.28	18.09	18.46	18.82
Railroad Bridge	22.28	13.80	16.13	17.90	18.14	18.29
N. Greene Street Culvert	17.78	13.78	16.10	17.87	18.10	18.24
Alternative 1						
Memorial Drive (Existing Twin 7'x7' RCBC)	23.71	13.57	15.00	15.97	16.65	17.44
Railroad Bridge (Existing Bridge)	22.28	12.82	14.29	15.28	15.96	16.65
N. Greene Street (Proposed Twin 7'x7' RCBC)	17.78	12.71	14.20	15.17	15.83	16.50

*Bold print indicates overtopping and red indicates not meeting LOS.

APPENDIX B HYDRAULIC ANALYSIS

Table B-4C: Overtopping Analysis of Roadway Crossings – Parkers Creek - Lateral 2 (north)

Location	Minimum Elevation at Top of Road (feet NAVD)	Calculated Water Surface Elevations (feet NAVD)				
		2-year flood	10-year flood	25-year flood	50-year flood	100-year flood
Existing Conditions						
Greenfield Park Access Road	25.20	21.14	23.92	26.10	26.77	26.98
Greenfield Farm Culvert	24.97	21.11	23.88	26.09	26.77	26.98
Memorial Drive	26.19	21.07	23.77	26.06	26.76	26.97
Railroad Culvert	28.57	20.88	22.90	24.08	25.00	26.00
Private crossing (bridge)	24.60	20.74	22.66	23.66	24.34	24.99
Alternative 1						
Greenfield Park Access Road (Existing 60" CMP)	25.20	21.60	23.93	25.40	26.61	27.03
Greenfield Farm Culvert (Existing 48" CMP)	24.97	21.57	23.89	25.36	26.61	27.03
Memorial Drive (Proposed Double Arch Culvert by opening sealed barrel)	26.19	21.53	23.77	25.31	26.60	27.02
Railroad Culvert (Existing Triple 2-66" and 1-60" RCP)	28.57	21.47	23.46	24.66	25.63	26.71
Private crossing (Existing Bridge)	24.60	21.32	23.11	24.04	24.68	25.29
Alternative 2						
Greenfield Park Access Road (Existing 60" CMP)	25.20	20.98	23.11	24.50	25.40	26.52
Greenfield Farm Culvert (Existing 48" CMP)	24.97	20.93	23.06	24.43	25.32	26.51
Memorial Drive (Proposed Quadruple 66" RCP)	26.19	20.89	22.95	24.22	25.25	26.50
Railroad Culvert (Proposed Triple 2-66" and 1-60" RCP)	28.57	20.87	22.83	23.93	24.75	25.60
Private crossing (Existing Bridge)	24.60	20.74	22.66	23.66	24.34	24.99

*Bold print indicates overtopping and red indicates not meeting LOS.

Table B-4D: Overtopping Analysis of Roadway Crossings – Johnsons Mill Run

Location	Minimum Elevation at Top of Road (feet NAVD)	Calculated Water Surface Elevations (feet NAVD)				
		2-year flood	10-year flood	25-year flood	50-year flood	100-year flood
Existing Conditions						
Mount Pleasant Church Road	27.90	23.25	25.64	26.96	28.16	29.01
Belvoir Highway (NC 33)	28.06	21.85	23.86	24.92	25.78	26.75
Old River Road	20.63	15.58	17.05	18.70	20.48	22.20

*Bold print indicates overtopping.

SWMM

SWMM is a dynamic rainfall-runoff model capable of modeling the hydrologic response of a watershed and hydraulic routing throughout a stormwater conveyance system. The model calculates the effect of backwater, flat or negative slopes, energy losses, and minor headlosses associated with bends, entrances and exits.

Input data for the EPA SWMM (hydraulics) computer model include the following:

- Conveyance pipes including structure inverts, pipe sizes and lengths;
- Open channel cross section geometries;
- Roughness coefficients for pipes and channels;
- Energy loss coefficients for flow in the pipes and channels;
- Storage rating curves; and
- Overland flow characteristics.

SWMM provides an accurate evaluation of the existing and proposed conditions because it combines hydrology and hydraulics while accounting for the routing effects of the channel and over bank storage areas. Because hydrology and hydraulics are combined, changes to peak flows or water surface elevations resulting from proposed modifications to the existing channels or culverts are calculated in the model in one step. Additionally, changes to flows from proposed pipes and channel improvements are seen both upstream and downstream, reducing the potential for a stormwater system having increased flooding downstream.

Energy Loss Coefficients

Contraction and expansion of flow produces energy losses caused by the transition. The magnitude of these losses is related to the velocity and the estimated loss coefficient. Where the transitions are gradual, the losses are small. At abrupt changes in cross-sectional area, the losses are higher. Energy losses resulting from expansion are greater than losses associated with contraction. Energy loss coefficients used for the hydraulic SWMM models are presented in Table B-6 below:

Table B-6: Energy Loss Coefficients for SWMM Models

Type of Transition	Expansion	Contraction
None	0	0
Manhole/Inlet	0.7	0.5
Open Channel	1	0.5–Headwall/ 0.9 - Projecting

Additional energy losses for structures having bends were divided between the two joining pipes. The bend losses used for this project are based on NCDOT values, and are shown below in Table B-7.

Table B-7: Bend Loss Coefficients

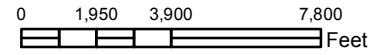
Angle (°)	Loss Coefficient	Angle (°)	Loss Coefficient
90	0.70	40	0.38
80	0.66	30	0.28
70	0.61	25	0.22
60	0.55	20	0.16
50	0.47	15	0.10

**APPENDIX C
WATERSHED MAP, LAND USE MAP,
AND SOILS MAP**

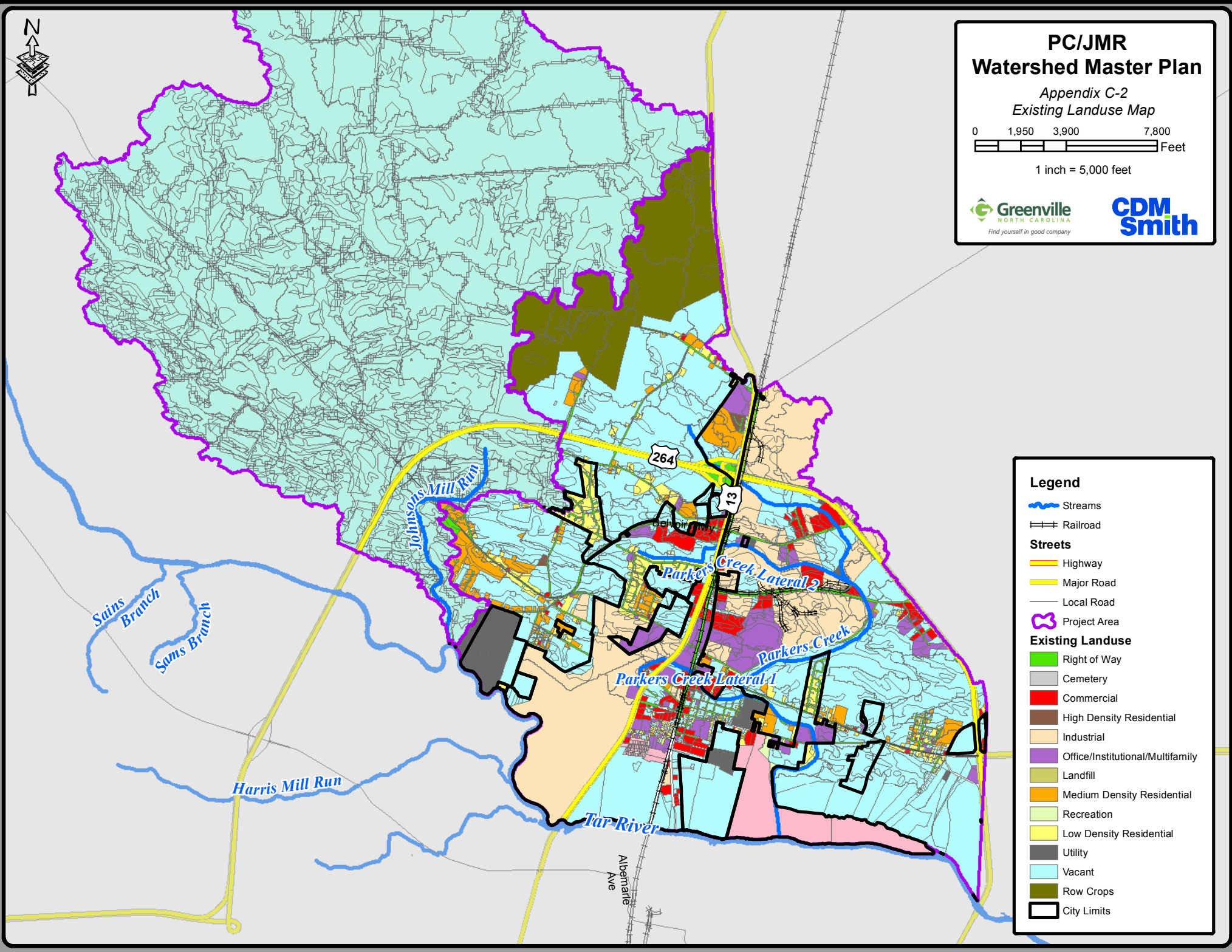


PC/JMR Watershed Master Plan

Appendix C-2
Existing Landuse Map



1 inch = 5,000 feet



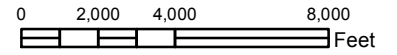
Legend

- Streams
- Railroad
- Streets**
 - Highway
 - Major Road
 - Local Road
- Project Area
- Existing Landuse**
 - Right of Way
 - Cemetery
 - Commercial
 - High Density Residential
 - Industrial
 - Office/Institutional/Multifamily
 - Landfill
 - Medium Density Residential
 - Recreation
 - Low Density Residential
 - Utility
 - Vacant
 - Row Crops
 - City Limits

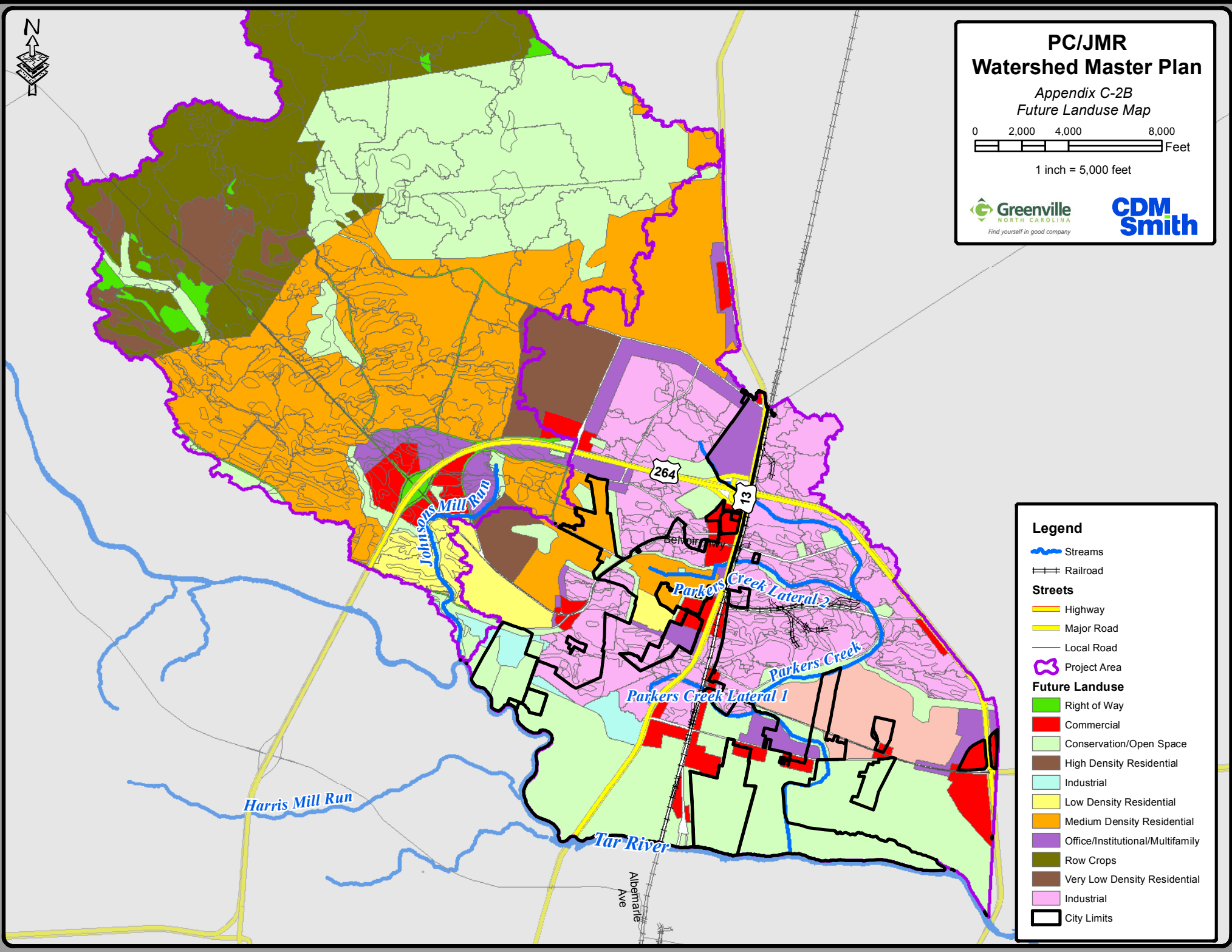


PC/JMR Watershed Master Plan

Appendix C-2B
Future Landuse Map



1 inch = 5,000 feet



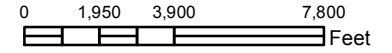
Legend

- Streams
- Railroad
- Streets**
 - Highway
 - Major Road
 - Local Road
- Project Area
- Future Landuse**
 - Right of Way
 - Commercial
 - Conservation/Open Space
 - High Density Residential
 - Industrial
 - Low Density Residential
 - Medium Density Residential
 - Office/Institutional/Multifamily
 - Row Crops
 - Very Low Density Residential
 - Industrial
 - City Limits

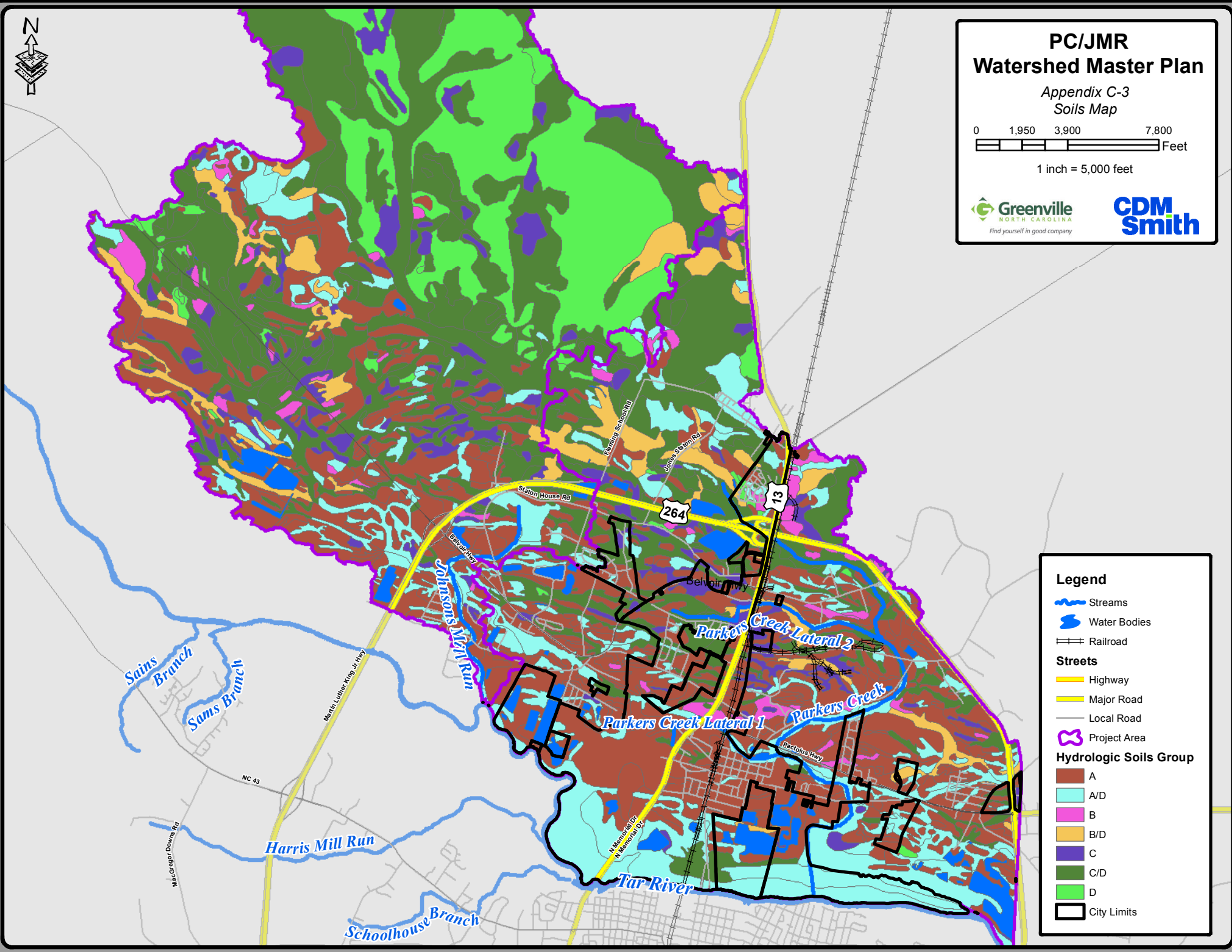


PC/JMR Watershed Master Plan

Appendix C-3 Soils Map



1 inch = 5,000 feet



Legend

- Streams
- Water Bodies
- Railroad

Streets

- Highway
- Major Road
- Local Road
- Project Area

Hydrologic Soils Group

- A
- A/D
- B
- B/D
- C
- C/D
- D
- City Limits

**APPENDIX D
CITIZEN INPUT**

Appendix D

Citizen Input – Results of Surveys

Table D-1: General Survey Results

Survey Question Number	Question	Survey Response		
		Yes	No	Maybe
2	Have you ever experienced flooding on your property during a (non-Hurricane) storm?	9	5	-
3	Have you ever noticed flooded streets in your neighborhood?	11	2	-
4	Has flooding increased on your property due to the filling of lots adjacent to, or near, your property?	6	5	-
5	Have you had any erosion on your property?	5	8	-
6	If a cost-sharing program was made available along with training, would you be willing to install a stormwater BMP (e.g. rain garden, cistern, backyard wetland, etc.)?	4	4	6
7	Are you aware that the City of Greenville is currently analyzing and looking for possible solutions to erosion, flooding and water quality issues throughout the City with a watershed master planning process?	6	7	-
8	Are you aware of how the City of Greenville currently spends or utilizes its stormwater utility fee?	1	13	-

Table D-2: Frequency and Location of Flooding Question and Responses (Question 2)

Frequency of Flooding	Flooding Location						
	Storage Building	Air Conditioning	Crawl Space	Living Space	Yard Flooding from Stream/Ditch	Yard Flooding from Street Runoff	Yard Flooding From Adjacent Property
Not Specified	1	1	2	1	1	1	2
Less than once a year							
Once a year							
2-3 times a year							
More than 3 times a year	1	1	2		4	3	2
Every time it rains					1	2	1

Item	Number of Responses
Street	3
Yard	4
Building/House	1
Fence	2
Other	3

Item	Number of Responses
Yes	4
No	4
Maybe	6

Item	Number of Responses
Develop cost-sharing program for installation of water harvesting practices to reduce stormwater flows	4
Develop incentives for replanting riparian areas (directly adjacent to streams)	5
Develop a program to address erosion on private property	3
Construct and maintain regional detention facilities to store stormwater	8
Stream restoration	6
Buyout of endangered properties	3
Other	2

APPENDIX E
SCS HYDROLOGIC INPUT DATA

Parker Creek Watershed Hydrologic Parameters

	Subbasin	DA (sq.mi)	Existing Land Use CN	Adjusted EX CN (-10%)	Future Land Use CN	Adjusted FU CN (-10%)	Lag Time (min)	Adjusted Lag (min) (135%)	Lag Time (Hr)
1	PC_100	0.129	70.8	63.7	72.7	65.4	59	80	1.33
2	PC_200	0.099	66.9	60.2	66.9	60.2	47	63	1.06
3	PC_210	0.135	66.3	59.6	66.6	59.9	69	93	1.56
4	PC_220	0.273	61.8	55.6	61.6	55.4	149	201	3.34
5	PC_230	0.126	71.9	64.7	79.4	71.4	96	129	2.16
6	PC_240	0.206	64.8	58.3	75.8	68.2	124	167	2.79
7	PC_250	0.117	62.0	55.8	62.2	56.0	104	141	2.35
8	PC_300	0.025	75.9	68.3	73.1	65.8	64	86	1.43
9	PC_400	0.280	70.0	63.0	71.3	64.2	18	24	0.41
10	PC_500	0.216	75.6	68.0	74.3	66.9	60	81	1.35
11	PC_510	0.184	78.0	70.2	85.3	76.8	52	70	1.16
12	PC_520	0.029	85.1	76.6	86.6	77.9	32	43	0.72
13	PC_530	0.064	83.4	75.0	83.0	74.7	69	93	1.55
14	PC_531	0.027	81.1	73.0	82.3	74.0	21	29	0.48
15	PC_540	0.015	89.0	80.1	89.2	80.3	55	74	1.23
16	PC_550	0.535	74.0	66.6	81.6	73.5	199	268	4.47
17	PC_560	0.163	69.8	62.8	84.5	76.0	44	60	0.99
18	PC_570	0.416	68.1	61.2	75.4	67.9	77	104	1.74
19	PC_571	0.270	71.4	64.2	76.2	68.6	271	366	6.11
20	PC_580	0.124	72.8	65.5	70.3	63.3	44	60	0.99
21	PC_590	0.172	72.1	64.9	75.6	68.1	88	119	1.98
22	PC_600	0.004	86.7	78.0	89.3	80.4	27	36	0.60
23	PC_700	0.154	75.9	68.3	78.7	70.8	15	20	0.33
24	PC_800	0.160	82.8	74.5	84.5	76.1	27	36	0.60
25	PC_810	0.208	85.9	77.3	87.1	78.4	62	84	1.40
26	PC_820	0.066	80.1	72.1	89.0	80.1	55	74	1.23
27	PC_900	0.463	70.5	63.4	71.6	64.4	45	61	1.02
28	PC_1000	0.168	73.7	66.3	87.4	78.7	54	73	1.21
29	PC_1100	0.182	77.8	70.0	85.3	76.8	122	165	2.75
30	PC_1200	0.111	70.4	63.3	82.2	74.0	53	72	1.19
31	PC_1300	0.135	86.9	78.2	86.6	77.9	65	88	1.47
32	PC_1310	0.278	85.5	76.9	87.2	78.5	79	106	1.77
33	PC_1320	0.035	89.3	80.4	90.3	81.3	24	33	0.55
34	PC_1321	0.074	79.4	71.4	88.9	80.0	54	73	1.21
35	PC_1323	0.027	75.8	68.2	85.2	76.7	41	55	0.92
36	PC_1324	0.032	76.9	69.2	90.5	81.5	44	59	0.98
37	PC_1325	0.048	67.3	60.6	87.2	78.5	56	76	1.27
38	PC_1326	0.106	77.1	69.4	88.2	79.4	67	90	1.50
39	PC_1327	0.047	79.2	71.3	78.5	70.7	21	28	0.47
40	PC_1330	0.137	81.6	73.5	83.1	74.8	47	64	1.06
41	PC_1340	0.102	78.1	70.3	78.4	70.5	117	158	2.64
42	PC_1350	0.098	73.9	66.5	78.8	70.9	38	52	0.86
43	PC_1360	0.083	66.6	59.9	65.4	58.9	54	73	1.22
44	PC_1370	0.092	74.5	67.0	74.8	67.3	105	142	2.36
45	PC_1400	0.165	80.2	72.2	87.3	78.5	92	125	2.08
46	PC_1500	0.129	88.6	79.8	84.6	76.2	56	76	1.26
47	PC_1600	0.034	89.3	80.4	91.9	82.7	44	59	0.99
48	PC_1610	0.080	93.0	83.7	93.0	83.7	36	49	0.82
49	PC_1620	0.106	93.0	83.7	93.0	83.7	114	154	2.56
50	PC_1700	0.186	81.4	73.3	87.8	79.0	69	94	1.56

	Subbasin	DA (sq.mi)	Existing Land Use CN	Adjusted EX CN (-10%)	Future Land Use CN	Adjusted FU CN (-10%)	Lag Time (min)	Adjusted Lag (min) (135%)	Lag Time (Hr)
51	PC_1800	0.077	88.2	79.3	88.7	79.8	47	63	1.06
52	PC_1810	0.053	90.5	81.5	90.5	81.5	38	52	0.86
53	PC_1820	0.061	90.5	81.5	91.1	82.0	59	80	1.34
54	PC_1830	0.013	83.9	75.5	88.0	79.2	29	39	0.65
55	PC_1900	0.026	91.1	82.0	92.1	82.9	11	15	0.25
56	PC_2000	0.068	79.2	71.3	88.2	79.4	110	148	2.47
57	PC_2010	0.125	82.7	74.4	88.9	80.0	45	61	1.02
58	PC_2100	0.234	85.7	77.1	93.4	84.1	148	199	3.32
59	PC_2200	0.084	82.2	74.0	89.9	80.9	32	43	0.71
60	PC_2300	0.325	83.2	74.9	91.5	82.3	52	71	1.18
61	PC_2310	0.056	80.5	72.4	92.4	83.2	74	100	1.67
62	PC_2400	0.081	71.9	64.7	88.8	79.9	57	76	1.27
63	PC_2410	0.140	82.9	74.6	90.9	81.8	59	80	1.33
64	PC_2500	0.011	73.3	65.9	89.2	80.2	22	30	0.50
65	PC_2510	0.103	76.9	69.2	89.0	80.1	36	49	0.81
66	PC_2520	0.299	87.0	78.3	83.6	75.3	170	229	3.82
67	PC_2521	0.271	88.2	79.4	83.9	75.5	475	642	10.70
68	PC_2530	0.250	87.0	78.3	88.4	79.6	176	238	3.96
69	PC_2540	0.131	87.4	78.7	83.9	75.5	239	323	5.38
70	PC_2600	0.012	84.8	76.3	93.0	83.7	38	52	0.86
71	PC_2610	0.107	78.2	70.3	90.5	81.5	93	125	2.09
72	PC_2620	0.131	81.2	73.1	88.3	79.5	65	87	1.46
73	PC_2700	0.302	83.1	74.7	90.2	81.2	111	150	2.50
74	PC_2800	0.293	87.1	78.4	85.9	77.3	120	162	2.70
75	PC_2900	0.015	88.4	79.5	86.8	78.1	57	76	1.27
76	PC_2910	0.097	88.3	79.4	84.2	75.8	81	109	1.81
77	PC_3000	0.042	88.3	79.4	86.2	77.5	82	111	1.86
78	PC_3100	0.091	88.2	79.4	86.0	77.4	61	82	1.37

10.614

Johnsons Mill Run Watershed Hydrologic Parameters

	Subbasin	DA (sq.mi)	Existing Land Use CN	Future Land Use CN	Lag Time (min)	Adjusted Lag (min) (135%)	Lag Time (Hr)
1	JMR_1000	0.140	49.0	66.0	28	38	0.63
2	JMR_2000	0.208	63.0	64.7	50	67	1.12
3	JMR_3000	0.174	59.2	75.0	90	121	2.02
4	JMR_3100	0.502	65.7	74.0	274	370	6.17
5	JMR_3200	0.113	64.3	71.3	30	40	0.67
6	JMR_3210	0.204	72.6	76.4	139	188	3.13
7	JMR_3300	0.113	55.1	64.5	38	51	0.85
8	JMR_3310	0.058	61.8	68.6	60	81	1.35
9	JMR_3312	0.144	86.0	80.7	49	67	1.11
10	JMR_3313	0.092	72.3	76.5	79	106	1.77
11	JMR_3317	0.275	60.1	79.5	285	385	6.41
12	JMR_3318	0.272	58.9	66.1	226	305	5.09
13	JMR_3319	0.026	78.2	86.9	12	17	0.28
14	JMR_3320	0.232	80.5	87.4	90	121	2.02
15	JMR_3321	0.324	65.3	80.9	89	120	2.00
16	JMR_3322	0.131	66.7	82.1	121	164	2.73
17	JMR_3330	0.206	78.5	71.8	119	160	2.67
18	JMR_3331	0.263	77.4	81.3	62	83	1.39
19	JMR_3332	0.044	55.7	68.3	101	137	2.28
20	JMR_3340	0.244	73.0	74.7	74	100	1.66
21	JMR_3341	0.112	74.4	74.7	117	158	2.63
22	JMR_3350	0.080	78.3	78.9	77	104	1.73
23	JMR_3351	0.052	74.4	75.4	132	178	2.97
24	JMR_3352	0.175	81.0	86.2	104	140	2.34
25	JMR_3353	0.093	82.1	84.5	29	40	0.66
26	JMR_3354	0.337	71.7	75.6	94	127	2.12
27	JMR_3355	0.043	80.6	86.7	27	37	0.61
28	JMR_3356	0.284	76.8	81.3	118	160	2.66
29	JMR_3360	0.637	69.1	82.1	395	533	8.88
30	JMR_3370	0.207	77.8	86.7	147	199	3.31
31	JMR_3380	0.198	78.7	83.8	127	172	2.86
32	JMR_4000	0.071	64.4	78.9	23	31	0.51
33	JMR_5000	0.097	63.9	87.2	54	72	1.21
34	JMR_6000	0.027	67.0	76.4	32	43	0.71
35	JMR_7000	0.091	74.1	77.0	64	87	1.45
36	JMR_7100	0.086	68.9	76.3	32	44	0.73
37	JMR_8000	0.071	65.7	83.1	63	86	1.43
38	JMR_9000	0.214	66.6	80.3	91	123	2.05
39	JMR_9100	0.052	55.0	84.0	62	84	1.39
40	JMR_10000	0.196	73.4	81.4	40	54	0.90
41	JMR_11000	0.136	82.2	88.6	96	130	2.17

	Subbasin	DA (sq.mi)	Existing Land Use CN	Future Land Use CN	Lag Time (min)	Adjusted Lag (min) (135%)	Lag Time (Hr)
42	JMR_11100	0.257	75.9	74.4	74	100	1.67
43	JMR_11110	0.071	81.4	81.3	62	84	1.41
44	JMR_11120	0.192	74.8	75.0	194	261	4.36
45	JMR_11130	0.412	70.6	74.8	129	174	2.91
46	JMR_12000	0.171	80.4	79.6	105	141	2.35
47	JMR_13000	0.370	76.8	84.6	194	261	4.36
48	JMR_13100	0.509	75.6	80.1	189	255	4.24
49	JMR_13200	0.610	71.9	78.3	244	330	5.50
50	JMR_13300	0.059	76.1	83.3	234	316	5.27
51	JMR_13310	0.188	72.1	83.1	134	181	3.02
52	JMR_13320	0.539	72.8	83.6	408	551	9.19
53	JMR_13400	0.301	75.7	82.0	282	380	6.34
54	JMR_13410	0.773	73.3	84.0	352	475	7.91
55	JMR_13500	0.482	71.4	84.5	347	469	7.82
56	JMR_13510	0.305	73.1	87.8	428	577	9.62
57	JMR_13520	1.809	72.1	88.7	843	1139	18.98
58	JMR_13521	0.753	75.3	88.8	679	916	15.27
59	JMR_13530	0.144	71.2	89.0	244	329	5.48
60	JMR_13531	0.619	73.4	89.0	317	428	7.13
61	JMR_13532	1.080	73.4	86.4	286	386	6.44
62	JMR_13533	0.939	71.6	88.4	850	1148	19.13
63	JMR_13534	0.192	70.0	87.4	134	181	3.02
64	JMR_13535	0.527	70.7	89.2	212	287	4.78
65	JMR_13540	0.030	72.3	93.0	54	73	1.22
66	JMR_13541	0.573	71.3	85.7	234	317	5.28
67	JMR_13542	0.486	78.6	86.4	85	115	1.92
68	JMR_13550	0.100	74.6	89.0	59	80	1.33
69	JMR_13551	0.699	73.1	87.5	308	416	6.94
70	JMR_13552	0.591	78.0	88.8	645	871	14.51
71	JMR_13553	0.295	78.3	88.2	211	285	4.75
72	JMR_13560	0.591	75.4	89.2	388	524	8.73
73	JMR_13561	0.069	74.7	89.2	104	141	2.35
74	JMR_13562	0.111	73.6	88.9	192	259	4.31
75	JMR_13563	1.076	76.0	88.7	455	614	10.24
76	JMR_13570	0.370	76.7	88.8	828	1118	18.63
77	JMR_13600	0.276	74.6	86.2	149	201	3.35
78	JMR_13610	0.580	72.8	88.7	330	445	7.42
79	JMR_13620	0.259	64.1	84.4	253	341	5.69
80	JMR_13700	0.490	74.7	84.7	530	715	11.92
81	JMR_14000	0.035	83.9	86.1	32	43	0.72
82	JMR_15000	0.243	76.4	84.7	101	137	2.28
83	JMR_15100	0.594	74.7	84.2	126	170	2.83
84	JMR_16000	0.579	73.9	84.1	435	587	9.79

APPENDIX F
TIME OF CONCENTRATION CALCULATIONS

Time of Concentration - Parker Creek Primary System

Subbasin	Sheet Flow						Shallow Concentration					Channel Flow									
	Description	Manning's n	Flow Length (ft)	P-2 (in)	Land Slope (ft/ft)	Tt (min)	Surface Description	Flow Length (ft)	Slope (ft/ft)	Velocity (ft/s)	Tt (min)	Channel Area (sf)	Channel Perimeter (ft)	Hydraulic Radius (ft)	Slope (ft/ft)	Manning's n	Velocity (ft/s)	Flow Length (ft)	Tt (min)	Tc (min)	Lag (min)
PC_100	GRASS	0.41	100	3.76	0.0050	0.589	Grassed Waterway	3201	0.004	1.079	0.824	56	22.42	2.50	0.002	0.05	2.13	1757	0.23	1.64	58.99
PC_1000	GRASS	0.4	100	3.76	0.0144	0.377	Grassed Waterway	2810	0.002	0.800	0.975	120	37.31	3.22	0.004	0.05	4.13	2210	0.15	1.50	53.92
PC_1100	GRASS	0.4	300	3.76	0.0078	1.159	Short Grass	3359	0.004	0.432	2.158	122.5	30.52	4.01	0.002	0.05	3.26	1002	0.09	3.40	122.24
PC_1200	CROPS	0.17	300	3.76	0.0045	0.729	Grassed Waterway	2486	0.004	1.060	0.652	85	30.17	2.82	0.002	0.05	2.50	863	0.10	1.48	53.05
PC_1300	GRASS	0.4	300	3.76	0.0052	1.362	Grassed Waterway	1461	0.006	1.204	0.337	95	32.17	2.95	0.003	0.045	3.45	1465	0.12	1.82	65.31
PC_1310	GRASS	0.4	100	3.76	0.0087	0.461	Grassed Waterway	3382	0.001	0.585	1.605	115.5	30.02	3.85	0.002	0.05	3.62	1620	0.12	2.19	78.69
PC_1320	GRASS	0.4	100	3.76	0.0124	0.400	Grassed Waterway	1024	0.005	1.099	0.259	75	27.36	2.74	0.007	0.05	4.90	396	0.02	0.68	24.47
PC_1321	GRASS	0.4	100	3.76	0.0057	0.544	Grassed Waterway	1914	0.004	0.997	0.533	67.5	23.40	2.88	0.000	0.055	0.55	828	0.42	1.50	53.78
PC_1323	GRASS	0.4	300	3.76	0.0131	0.943	Grassed Waterway	703.9	0.005	1.130	0.173	32	15.31	2.09	0.010	0.055	4.47	312	0.02	1.14	40.80
PC_1324	CROPS	0.17	300	3.76	0.0029	0.872	Cultivated Crops	453.2	0.005	0.603	0.209	22.5	13.82	1.63	0.003	0.045	2.55	1261	0.14	1.22	43.77
PC_1325	CROPS	0.17	300	3.76	0.0043	0.743	Cultivated Crops	85.83896	0.076	2.421	0.010	12	9.21	1.30	0.000	0.045	0.62	1824	0.81	1.57	56.30
PC_1326	CROPS	0.17	300	3.76	0.0023	0.952	Cultivated Crops	836.9	0.001	0.314	0.740	50	19.14	2.61	0.003	0.05	2.98	1802	0.17	1.86	66.80
PC_1327	PAVED	0.011	100	3.76	0.0284	0.016	Grassed Waterway	1436	0.002	0.771	0.518	65	23.20	2.80	0.004	0.045	4.04	778	0.05	0.59	21.11
PC_1330	GRASS	0.41	100	3.76	0.0119	0.415	Grassed Waterway	1858	0.003	0.886	0.583	75	24.21	3.10	0.001	0.045	1.59	1812	0.32	1.31	47.23
PC_1340	WOODS	0.4	100	3.76	0.0067	0.511	Woodlands	2346	0.003	0.270	2.415	52.5	19.45	2.70	0.000	0.05	0.58	701	0.34	3.26	117.30
PC_1350	CROPS	0.17	300	3.76	0.0094	0.542	Cultivated Crops	217.9	0.017	1.156	0.052	32	15.31	2.09	0.001	0.05	1.61	2716	0.47	1.06	38.15
PC_1360	GRASS	0.4	100	3.76	0.0238	0.308	Grassed Waterway	2743	0.002	0.768	0.992	32	15.31	2.09	0.000	0.045	0.54	410	0.21	1.51	54.30
PC_1370	WOODS	0.4	100	3.76	0.0230	0.312	Woodlands	552.1	0.003	0.253	0.607	0	1107.00	29.63	28.074	0.0001	0.06	298	3.00	2.92	104.82
PC_1400	GRASS	0.4	300	3.76	0.0029	1.710	Grassed Waterway	2757	0.005	1.130	0.678	62.5	23.03	2.71	0.003	0.05	3.00	1939	0.18	2.57	92.23
PC_1500	GRASS	0.4	100	3.76	0.0186	0.340	Grassed Waterway	1833	0.004	1.059	0.481	115.5	30.02	3.85	0.000	0.05	0.73	1944	0.74	1.56	56.09
PC_1600	GRASS	0.4	300	3.76	0.0193	0.806	Grassed Waterway	1143	0.003	0.893	0.356	87.5	28.03	3.12	0.007	0.055	4.76	1046	0.06	1.22	43.93
PC_1610	GRASS	0.4	100	3.76	0.0086	0.462	Grassed Waterway	1583	0.004	1.009	0.436	120	33.32	3.60	0.002	0.045	3.20	1351	0.12	1.01	36.47
PC_1620	FOREST	0.4	100	3.76	0.0068	0.509	Cultivated Crops	2411	0.001	0.253	2.644	19.5	12.22	1.60	0.004	0.045	2.93	209	0.02	3.17	113.99
PC_1700	PAVED	0.011	100	3.76	0.0126	0.022	Woodlands	1981	0.004	0.314	1.752	67.5	24.72	2.73	0.001	0.055	1.83	1048	0.16	1.93	69.47
PC_1800	GRASS	0.4	300	3.76	0.0184	0.822	Grassed Waterway	2426	0.008	1.472	0.458	22.5	13.82	1.63	0.010	0.05	4.17	425	0.03	1.31	46.98
PC_1810	GRASS	0.4	100	3.76	0.0163	0.358	Grassed Waterway	1782	0.002	0.775	0.639	32	15.31	2.09	0.006	0.04	4.66	1170	0.07	1.07	38.31
PC_1820	FOREST	0.4	100	3.76	0.0169	0.353	Grassed Waterway	2678	0.001	0.594	1.253	82.5	30.08	2.74	0.004	0.045	4.21	689	0.05	1.65	59.34
PC_1830	PAVED	0.011	100	3.76	0.0206	0.018	Woodlands	835.9	0.004	0.299	0.778	2	3.83	0.52	0.068	0.04	6.28	119	0.01	0.80	28.79
PC_1900	GRASS	0.4	100	3.76	0.0973	0.175	Grassed Waterway	932.4	0.020	2.262	0.115	60	20.81	2.88	0.011	0.045	6.86	432	0.02	0.31	11.04
PC_200	FIELDS	0.17	300	3.76	0.0113	0.504	Cultivated Crops	1303	0.004	0.526	0.688	65	23.20	2.80	0.005	0.05	4.07	1707	0.12	1.31	46.99
PC_2000	GRASS	0.4	100	3.76	0.0005	1.498	Short Grass	1551	0.005	0.471	0.915	70	23.62	2.96	0.000	0.05	0.61	1426	0.65	3.06	109.92
PC_2010	GRASS	0.4	300	3.76	0.0201	0.794	Grassed Waterway	33.73531	0.000	0.161	0.058	30	15.04	1.99	0.002	0.045	2.27	3336	0.41	1.26	45.29
PC_210	GRASS	0.41	100	3.76	0.0165	0.364	Short Grass	1499	0.008	0.607	0.686	77.5	27.47	2.82	0.000	0.045	0.66	2080	0.88	1.93	69.19
PC_2100	GRASS	0.4	300	3.76	0.0150	0.893	Short Grass	787.9	0.005	0.506	0.433	0	787.00	25.46	57.574	0.0001	0.04	298	2.00	4.11	147.68
PC_220	CROPS	0.17	300	3.76	0.0062	0.642	Cultivated Crops	3323	0.001	0.298	3.099	50	20.20	2.47	0.000	0.045	0.86	1234	0.40	4.14	148.65
PC_2200	CROPS	0.17	300	3.76	0.0073	0.599	Grassed Waterway	713.5	0.015	1.995	0.099	40	16.81	2.38	0.003	0.055	2.54	1671	0.18	0.88	31.66
PC_230	GRASS	0.41	300	3.76	0.0216	0.786	Grassed Waterway	793.1	0.000	0.161	1.365	70	23.62	2.96	0.001	0.05	1.80	3337	0.52	2.67	95.82
PC_2300	GRASS	0.41	100	3.76	0.1221	0.163	Cultivated Crops	311.9	0.015	1.085	0.080	65	23.20	2.80	0.001	0.045	1.50	6555	1.21	1.45	52.23
PC_2310	CROPS	0.17	300	3.76	0.0054	0.677	Cultivated Crops	1144	0.001	0.295	1.076	7	7.00	1.00	0.002	0.04	1.64	1074	0.18	2.06	74.12
PC_240	CROPS	0.41	300	3.76	0.0041	1.527	Cultivated Crops	2098	0.001	0.331	1.761	65	23.20	2.80	0.002	0.055	2.62	1511	0.16	3.45	123.90
PC_2400	CROPS	0.17	300	3.76	0.0018	1.056	Grassed Waterway	966.9	0.011	1.673	0.161	117.5	37.08	3.17	0.000	0.045	0.88	1126	0.36	1.57	56.54
PC_2410	GRASS	0.41	100	3.76	0.0096	0.452	Cultivated Crops	1918	0.005	0.627	0.850	28	14.00	2.00	0.001	0.045	1.40	1755	0.35	1.65	59.29
PC_250	CROPS	0.41	300	3.76	0.0084	1.145	Grassed Waterway	2914	0.001	0.479	1.689	40	17.81	2.25	0.004	0.045	3.45	840	0.07	2.90	104.27
PC_2500	CROPS	0.17	300	3.76	0.0121	0.490	Cultivated Crops	245.6	0.015	1.075	0.063	65	23.20	2.80	0.002	0.045	3.21	735	0.06	0.62	22.16
PC_2510	CROPS	0.17	300	3.76	0.0064	0.631	Grassed Waterway	780.1	0.009	1.499	0.145	32	15.31	2.09	0.003	0.05	2.53	2081	0.23	1.00	36.09
PC_2520	WOODS	0.4	100	3.76	0.0076	0.486	Cultivated Crops	2968	0.001	0.237	3.480	26	13.63	1.91	0.000	0.05	1.02	2757	0.75	4.72	169.61
PC_2521	WOODS	0.4	300	3.76	0.0038	1.542	Cultivated Crops	3376	0.000	0.088	10.703	37.5	16.45	2.28	0.000	0.05	0.57	2033	0.99	13.23	475.46
PC_2530	GRASS	0.4	300	3.76	0.0058	1.302	Short Grass	1905	0.001	0.180	2.944	57.5	21.40	2.69	0.001	0.05	1.60	3760	0.65	4.90	176.01
PC_2540	GRASS	0.4	300	3.76	0.0060	1.285	Short Grass	2605	0.001	0.200	3.618	70	23.62	2.96	0.000	0.05	0.61	3863	1.75	6.65	239.02
PC_2600	CROPS	0.17	300	3.76	0.0050	0.698	Cultivated Crops	479.4	0.004	0.532	0.250	150	36.44	4.12	0.000	0.04	0.95	397	0.12	1.06	38.21
PC_2610	GRASS	0.4	300	3.76	0.0043	1.473	Cultivated Crops	1045	0.003	0.442	0.657	60	21.62	2.78	0.001	0.04	1.87	3071	0.46	2.59	92.89

Subbasin	Sheet Flow						Shallow Concentration					Channel Flow									
	Description	Manning's n	Flow Length (ft)	P-2 (in)	Land Slope (ft/ft)	Tt (min)	Surface Description	Flow Length (ft)	Slope (ft/ft)	Velocity (ft/s)	Tt (min)	Channel Area (sf)	Channel Perimeter (ft)	Hydraulic Radius (ft)	Slope (ft/ft)	Manning's n	Velocity (ft/s)	Flow Length (ft)	Tt (min)	Tc (min)	Lag (min)
PC_2620	CROPS	0.17	300	3.76	0.0082	0.574	Grassed Waterway	1549	0.001	0.384	1.122	10	9.21	1.09	0.002	0.04	1.94	737	0.11	1.80	64.70
PC_2700	CROPS	0.17	300	3.76	0.0018	1.051	Grassed Waterway	3698	0.003	0.818	1.257	115	33.20	3.46	0.000	0.045	0.76	2153	0.79	3.10	111.32
PC_2800	CROPS	0.17	300	3.76	0.0042	0.748	Cultivated Crops	1860	0.002	0.360	1.436	70	23.62	2.96	0.000	0.045	0.68	2821	1.15	3.33	119.78
PC_2900	GRASS	0.4	300	3.76	0.0044	1.461	Grassed Waterway	177.3	0.004	0.955	0.052	36	16.00	2.25	0.007	0.045	4.67	1044	0.06	1.57	56.56
PC_2910	CROPS	0.17	300	3.76	0.0032	0.833	Cultivated Crops	1203	0.003	0.510	0.655	24	14.00	1.71	0.000	0.05	0.43	1160	0.76	2.24	80.66
PC_300	CROPS	0.41	300	3.76	0.0113	1.018	Woodlands	1224	0.010	0.506	0.672	70	24.87	2.81	0.000	0.055	0.54	161	0.08	1.77	63.67
PC_3000	GRASS	0.4	300	3.76	0.0022	1.907	Grassed Waterway	950.3	0.010	1.612	0.164	145	42.17	3.44	0.000	0.04	0.85	682	0.22	2.29	82.45
PC_3100	CROPS	0.17	300	3.76	0.0024	0.935	Cultivated Crops	1252	0.007	0.733	0.475	122.5	37.26	3.29	0.000	0.04	0.82	857	0.29	1.70	61.04
PC_400	URBAN PAVED	0.011	100	3.76	0.0142	0.021	Paved	1212	0.006	1.614	0.209	227.5	45.52	5.00	0.002	0.05	3.64	3568	0.27	0.50	18.03
PC_500	GRASS	0.41	100	3.76	0.0107	0.432	Grassed Waterway	3370	0.003	0.825	1.135	75	25.20	2.98	0.003	0.05	3.21	1226	0.11	1.67	60.11
PC_510	GRASS	0.41	100	3.76	0.0200	0.337	Grassed Waterway	3269	0.003	0.837	1.085	75	27.36	2.74	0.003	0.05	3.29	169	0.01	1.44	51.61
PC_520	GRASS	0.41	100	3.76	0.0123	0.409	Grassed Waterway	1139	0.009	1.567	0.202	50	19.14	2.61	0.000	0.045	0.63	237	0.11	0.89	32.01
PC_530	PAVED	0.011	100	3.76	0.0039	0.036	Short Grass	2258	0.002	0.344	1.826	50	19.14	2.61	0.004	0.045	4.03	790	0.05	1.92	68.84
PC_531	PAVED	0.011	100	3.76	0.0050	0.032	Paved	1339	0.001	0.661	0.562	12	9.32	1.29	0.050	0.05	7.85	37	0.00	0.60	21.42
PC_540	GRASS	0.41	300	3.76	0.0092	1.108	Grassed Waterway	56.96127	0.041	3.253	0.005	50	19.14	2.61	0.011	0.045	6.42	781	0.03	1.52	54.53
PC_550	GRASS	0.41	100	3.76	0.0157	0.371	Grassed Waterway	5317	0.001	0.457	3.235	8	7.47	1.07	0.000	0.045	0.60	3351	1.55	5.53	198.74
PC_560	PAVED	0.011	100	3.76	0.0095	0.025	Grassed Waterway	3070	0.002	0.768	1.110	70	23.62	2.96	0.002	0.045	3.20	1057	0.09	1.23	44.08
PC_570	GRASS	0.41	100	3.76	0.0144	0.385	Short Grass	1436	0.003	0.380	1.050	90	32.00	2.81	0.001	0.05	1.89	4872	0.72	2.15	77.23
PC_571	CROPS	0.17	300	3.76	0.0055	0.672	Grassed Waterway	1730	0.002	0.763	0.630	60	21.62	2.78	0.000	0.05	1.31	1695	0.36	7.55	271.39
PC_580	GRASS	0.41	100	3.76	0.0098	0.448	Grassed Waterway	1940	0.004	1.044	0.516	94.5	26.10	3.62	0.001	0.05	2.62	2516	0.27	1.23	44.20
PC_590	GRASS	0.41	100	3.76	0.0052	0.577	Grassed Waterway	3712	0.001	0.599	1.721	84	24.97	3.36	0.001	0.05	2.56	1354	0.15	2.45	87.85
PC_600	GRASS	0.41	300	3.76	0.0272	0.717	Grassed Waterway	126	0.015	1.947	0.018	46	20.26	2.27	0.015	0.05	6.36	243	0.01	0.75	26.79
PC_700	PAVED	0.011	100	3.76	0.0022	0.045	Grassed Waterway	1026	0.010	1.649	0.173	48	20.42	2.35	0.004	0.05	3.43	2307	0.19	0.40	14.52
PC_800	PAVED	0.011	100	3.76	0.0126	0.022	Grassed Waterway	2474	0.005	1.102	0.623	75	25.20	2.98	0.004	0.05	3.79	1296	0.09	0.74	26.61
PC_810	GRAVEL	0.011	100	3.76	0.0101	0.024	Grassed Waterway	2959	0.002	0.678	1.212	30	16.66	1.80	0.000	0.055	0.83	1465	0.49	1.73	62.07
PC_820	WOODS	0.4	100	3.76	0.0103	0.431	Grassed Waterway	2586	0.002	0.744	0.965	28	14.00	2.00	0.000	0.04	0.59	263	0.12	1.52	54.60
PC_900	WOODS	0.4	100	3.76	0.0160	0.361	Woodlands	570	0.007	0.418	0.379	168	42.93	3.91	0.002	0.05	3.11	5889	0.53	1.26	45.44

Time of Concentration - Johnson's Mill Run Primary System

Subbasin	Sheet Flow						Shallow Concentration					Channel Flow									
	Description	Manning's n	Flow Length (ft)	P-2 (in)	Land Slope (ft/ft)	Tt (min)	Surface Description	Flow Length (ft)	Slope (ft/ft)	Velocity (ft/s)	Tt (min)	Channel Area (sf)	Channel Perimeter (ft)	Hydraulic Radius (ft)	Slope (ft/ft)	Manning's n	Velocity (ft/s)	Flow Length (ft)	Tt (min)	Tc (min)	Lag (min)
JMR_1000	GRASS	0.41	100	3.76	0.011	0.430	Grassed Waterway	912.7	0.016	2.063	0.123	150.0	42.36	3.541	0.003	0.05	3.70	3036	0.23	0.78	28.1
JMR_10000	grass	0.41	100	3.76	0.014	0.391	Cultivated Crops	541.7	0.008	0.778	0.193	24	14.00	1.714	0.002	0.04	2.47	4662	0.52	1.11	39.8
JMR_11000	grass	0.41	300	3.76	0.006	1.283	Grassed Waterway	1974.1	0.002	0.649	0.844	92.5	28.40	3.257	0.000	0.05	0.65	1296	0.55	2.68	96.2
JMR_11100	crops	0.17	100	3.76	0.003	0.373	Grassed Waterway	3317.7	0.001	0.593	1.554	52.5	22.21	2.364	0.003	0.05	2.90	1381	0.13	2.06	74.0
JMR_11110	crops	0.17	300	3.76	0.011	0.509	Grassed Waterway	1111.0	0.002	0.798	0.387	56	23.89	2.344	0.000	0.05	0.52	1592	0.84	1.74	62.5
JMR_11120	crops	0.17	300	3.76	0.004	0.769	Grassed Waterway	1840.2	0.000	0.122	4.182	77	33.19	2.320	0.001	0.05	1.50	2359	0.44	5.39	193.6
JMR_11130	crops	0.17	300	3.76	0.019	0.409	Short Grass	2703.5	0.002	0.291	2.581	80.5	33.31	2.416	0.001	0.05	1.31	2866	0.61	3.60	129.2
JMR_12000	crops	0.17	300	3.76	0.007	0.627	Grassed Waterway	2211.3	0.000	0.304	2.021	162.5	46.93	3.463	0.002	0.05	3.04	2887	0.26	2.91	104.6
JMR_13000	crops	0.17	100	3.76	0.004	0.320	Cultivated Crops	4883.3	0.001	0.289	4.697	162.5	46.93	3.463	0.001	0.05	2.21	2956	0.37	5.39	193.6
JMR_13100	grass	0.41	100	3.76	0.005	0.584	Short Grass	3397.3	0.002	0.271	3.483	147	33.12	4.438	0.000	0.05	0.80	3420	1.18	5.25	188.6
JMR_13200	woods	0.4	100	3.76	0.003	0.744	Woodlands	4439.0	0.002	0.251	4.909	262.5	80.90	3.245	0.000	0.055	0.59	2446	1.15	6.80	244.3
JMR_13300	woods	0.4	100	3.76	0.005	0.565	Short Grass	1452.6	0.000	0.070	5.796	48	19.31	2.485	0.003	0.055	2.90	1616	0.15	6.52	234.1
JMR_13310	woods	0.4	100	3.76	0.004	0.639	Forest	342.4	0.002	0.104	0.911	77.5	24.45	3.169	0.000	0.05	0.64	5053	2.19	3.74	134.3
JMR_13320	woods	0.4	100	3.76	0.002	0.791	Cultivated Crops	5585.8	0.000	0.194	7.986	77.5	24.45	3.169	0.000	0.05	0.64	5969	2.59	11.36	408.2
JMR_13400	crops	0.17	300	3.76	0.002	0.921	Cultivated Crops	4311.9	0.000	0.182	6.582	92.5	28.40	3.257	0.001	0.05	2.37	2845	0.33	7.84	281.6
JMR_13410	woods	0.4	100	3.76	0.002	0.860	Cultivated Crops	6309.6	0.001	0.209	8.379	77.5	27.47	2.821	0.000	0.045	1.46	2865	0.55	9.78	351.6
JMR_13500	grass	0.4	100	3.76	0.004	0.654	Cultivated Crops	6788.6	0.001	0.216	8.741	87.5	26.18	3.342	0.000	0.04	1.68	1659	0.27	9.67	347.4
JMR_13510	woods	0.4	100	3.76	0.005	0.592	Cultivated Crops	4448.9	0.000	0.115	10.757	108.5	27.64	3.925	0.000	0.045	1.60	3214	0.56	11.91	427.8
JMR_13520	woods	0.4	100	3.76	0.005	0.575	Cultivated Crops	12341.3	0.000	0.158	21.694	108.5	27.64	3.925	0.000	0.045	0.82	3565	1.21	23.47	843.4
JMR_13521	woods	0.4	100	3.76	0.012	0.412	Cultivated Crops	5401.4	0.000	0.085	17.707	77.5	25.40	3.051	0.001	0.05	1.89	5249	0.77	18.89	678.7
JMR_13530	woods	0.4	300	3.76	0.002	1.979	Cultivated Crops	1700.7	0.000	0.107	4.415	122.5	30.52	4.014	0.002	0.05	2.94	4103	0.39	6.78	243.7
JMR_13531	woods	0.4	100	3.76	0.008	0.473	Cultivated Crops	3836.3	0.000	0.161	6.635	129.5	31.10	4.163	0.000	0.05	0.77	4729	1.71	8.82	316.7
JMR_13532	woods	0.4	100	3.76	0.005	0.558	Cultivated Crops	5368.6	0.002	0.399	3.739	87.5	28.03	3.122	0.000	0.045	0.71	9309	3.67	7.96	286.1
JMR_13533	crops	0.17	300	3.76	0.005	0.698	Cultivated Crops	10541.4	0.000	0.131	22.410	80	25.62	3.122	0.000	0.045	0.71	1430	0.56	23.67	850.4
JMR_13534	woods	0.4	100	3.76	0.004	0.604	Cultivated Crops	1122.0	0.002	0.406	0.768	105	27.20	3.860	0.000	0.045	0.66	5621	2.37	3.74	134.4
JMR_13535	woods	0.4	100	3.76	0.013	0.392	Cultivated Crops	2443.6	0.001	0.236	2.875	87.5	25.52	3.429	0.000	0.045	0.75	7141	2.64	5.91	212.3
JMR_13540	woods	0.4	100	3.76	0.006	0.526	Cultivated Crops	688.9	0.002	0.351	0.546	147	34.80	4.224	0.000	0.045	0.86	1358	0.44	1.51	54.2
JMR_13541	crops	0.17	300	3.76	0.005	0.692	Grassed Waterway	7400.4	0.001	0.565	3.642	80	25.62	3.122	0.000	0.045	0.76	6020	2.19	6.53	234.5
JMR_13542	crops	0.17	300	3.76	0.011	0.507	Cultivated Crops	1556.1	0.002	0.435	0.993	119	29.20	4.075	0.001	0.045	2.33	7330	0.87	2.37	85.2
JMR_13550	woods	0.4	100	3.76	0.005	0.565	Grassed Waterway	516.0	0.000	0.190	0.755	90	30.36	2.964	0.001	0.045	2.30	2640	0.32	1.64	58.9
JMR_13551	crops	0.17	300	3.76	0.018	0.417	Grassed Waterway	4014.6	0.000	0.319	3.499	70	24.87	2.815	0.000	0.05	0.53	8962	4.67	8.58	308.4
JMR_13552	woods	0.4	100	3.76	0.001	0.976	Cultivated Crops	5628.9	0.000	0.102	15.385	45	17.66	2.548	0.000	0.05	0.55	3182	1.59	17.95	645.1
JMR_13553	woods	0.4	100	3.76	0.003	0.706	Cultivated Crops	3730.1	0.001	0.214	4.840	55	20.14	2.731	0.000	0.045	0.65	777	0.33	5.88	211.3
JMR_13560	woods	0.4	100	3.76	0.001	1.075	Cultivated Crops	5155.5	0.001	0.201	7.140	50	19.14	2.612	0.000	0.05	0.56	5242	2.58	10.80	388.0
JMR_13561	crops	0.17	300	3.76	0.001	1.301	Cultivated Crops	365.4	0.007	0.732	0.139	52.5	19.21	2.733	0.000	0.045	0.65	3412	1.47	2.91	104.5
JMR_13562	woods	0.4	100	3.76	0.001	1.211	Cultivated Crops	3182.5	0.001	0.243	3.637	56	20.12	2.783	0.000	0.045	0.65	1140	0.48	5.33	191.6
JMR_13563	woods	0.4	100	3.76	0.030	0.281	Cultivated Crops	6227.0	0.000	0.155	11.161	65	22.14	2.936	0.000	0.055	0.42	1838	1.22	12.67	455.1
JMR_13570	dense grass	0.24	100	3.76	0.012	0.271	Cultivated Crops	7185.0	0.000	0.088	22.778	30	15.04	1.994	0.055	0.045	12.28	68	0.00	23.05	828.2
JMR_13600	woods	0.4	100	3.76	0.015	0.373	Cultivated Crops	2846.7	0.001	0.235	3.359	108.5	29.60	3.665	0.001	0.05	2.06	3066	0.41	4.15	149.0
JMR_13610	woods	0.4	100	3.76	0.022	0.316	Cultivated Crops	2315.3	0.000	0.088	7.340	37.5	16.45	2.279	0.001	0.05	1.16	6362	1.52	9.18	329.8
JMR_13620	woods	0.4	100	3.76	0.004	0.647	Cultivated Crops	3327.5	0.000	0.189	4.895	37.5	16.45	2.279	0.000	0.05	0.51	2768	1.49	7.04	252.8
JMR_13700	woods	0.4	100	3.76	0.002	0.772	Cultivated Crops	8610.1	0.000	0.173	13.857	65	23.20	2.801	0.003	0.05	3.21	1315	0.11	14.74	529.7
JMR_14000	crops	0.17	100	3.76	0.004	0.309	Grassed Waterway	604.7	0.008	1.452	0.116	157.5	42.70	3.689	0.000	0.05	0.71	1178	0.46	0.89	31.8
JMR_15000	woods	0.4	100	3.76	0.013	0.389	Cultivated Crops	3206.2	0.003	0.516	1.726	125	41.62	3.003	0.000	0.05	0.62	1566	0.70	2.82	101.3
JMR_15100	woodlands	0.4	100	3.76	0.003	0.689	Cultivated Crops	2331.2	0.001	0.278	2.329	91	25.80	3.527	0.002	0.055	2.50	4307	0.48	3.50	125.6
JMR_16000	crops	0.17	300	3.76	0.005	0.726	Cultivated Crops	4079.6	0.000	0.157	7.232	60	22.87	2.624	0.000	0.055	0.36	5313	4.15	12.11	435.1
JMR_2000	woods	0.4	100	3.76	0.008	0.472	Grassed Waterway	3145.5	0.005	1.172	0.745	112.5	36.93	3.047	0.001	0.05	2.07	1271	0.17	1.39	49.9
JMR_3000	grass	0.41	300	3.76	0.006	1.335	Grassed Waterway	2970.6	0.002	0.802	1.029	185	61.07	3.029	0.005	0.05	4.20	1949	0.13	2.49	89.6
JMR_3100	field	0.17	300	3.76	0.005	0.706	Short Grass	4923.3	0.001	0.210	6.527	199.5	43.93	4.542	0.000	0.055	1.43	2084	0.40	7.64	274.4
JMR_3200	field	0.17	100	3.76	0.009	0.230	Grassed Waterway	1687.5	0.005	1.175	0.399	42	21.42	1.961	0.001	0.04	2.14	1567	0.20	0.83	29.9
JMR_3210	field	0.17	300	3.76	0.022	0.386	Grassed Waterway	4457.5	0.001	0.368	3.368	27	14.49	1.864	0.000	0.045	0.50	214	0.12	3.87	139.2
JMR_3300	woods	0.4	100	3.76	0.011	0.426	Grassed Waterway	891.4	0.004	0.970	0.255	105	32.59	3.222	0.001	0.05	2.00	2645	0.37	1.05	37.7
JMR_3310	woods	0.4	100	3.76	0.023	0.314	Short Grass	1322.0	0.006	0.530	0.692	81	40.68	1.991	0.000	0.045	0.52	1237	0.66	1.66	59.8
JMR_3312	GRAVEL	0.011	100	3.76	0.007	0.028	Grassed Waterway	2288.3	0.002	0.784	0.811	205	61.29	3.345	0.000	0.05	0.66	615	0.26	1.38	49.5
JMR_3313	woods	0.4	300	3.76	0.005	1.354	Grassed Waterway	1397.9	0.002	0.697	0.557	62.5	21.18	2.951	0.001	0.04	2.38	2372	0.28	2.19	78.6
JMR_3317	woods	0.4	100	3.76	0.006	0.536	Woodlands	3796.3	0.001	0.149	7.080	137.5	41.93	3.280	0.000	0.05	1.09	1233	0.31	7.93	284.9
JMR_3318	GRASS	0.41	100	3.76	0.019	0.343	Woodlands	3215.2	0.002	0.202	4.421	72	31.42	2.292	0.000	0.05	0.52				

Subbasin	Sheet Flow						Shallow Concentration					Channel Flow									
	Description	Manning's n	Flow Length (ft)	P-2 (in)	Land Slope (ft/ft)	Tt (min)	Surface Description	Flow Length (ft)	Slope (ft/ft)	Velocity (ft/s)	Tt (min)	Channel Area (sf)	Channel Perimeter (ft)	Hydraulic Radius (ft)	Slope (ft/ft)	Manning's n	Velocity (ft/s)	Flow Length (ft)	Tt (min)	Tc (min)	Lag (min)
JMR_3321	CROPS	0.17	300	3.76	0.006	0.671	Grassed Waterway	1759.0	0.002	0.788	0.620	49	21.89	2.238	0.001	0.05	1.15	4905	1.19	2.48	89.0
JMR_3322	CROPS	0.17	300	3.76	0.009	0.540	Cultivated Crops	3035.5	0.002	0.391	2.157	26.25	13.60	1.930	0.000	0.05	0.46	1128	0.68	3.38	121.4
JMR_3330	CROPS	0.17	300	3.76	0.011	0.507	Cultivated Crops	1401.1	0.001	0.200	1.942	128	29.89	4.283	0.000	0.045	0.87	1050	0.33	3.30	118.7
JMR_3331	GRASS	0.41	100	3.76	0.006	0.550	Grassed Waterway	1052.8	0.001	0.572	0.512	112.5	33.03	3.406	0.001	0.055	1.41	3336	0.66	1.72	61.7
JMR_3332	GRASS	0.41	100	3.76	0.005	0.594	Grassed Waterway	2953.5	0.001	0.399	2.056	37.5	17.81	2.106	0.000	0.05	0.49	298	0.17	2.82	101.3
JMR_3340	CROPS	0.17	300	3.76	0.005	0.727	Grassed Waterway	1181.3	0.003	0.844	0.389	50	19.14	2.612	0.000	0.04	1.57	5301	0.94	2.06	73.8
JMR_3341	GRASS	0.41	300	3.76	0.015	0.899	Grassed Waterway	1741.5	0.000	0.254	1.908	245	47.20	5.190	0.000	0.045	0.82	1325	0.45	3.25	116.9
JMR_3350	GRASS	0.41	100	3.76	0.005	0.609	Short Grass	1635.3	0.002	0.307	1.477	245	47.20	5.190	0.001	0.045	2.59	515	0.06	2.14	77.0
JMR_3351	CROPS	0.17	300	3.76	0.002	1.056	Short Grass	1633.4	0.001	0.174	2.609	203	44.08	4.606	0.006	0.05	6.14	295	0.01	3.68	132.1
JMR_3352	GRASS	0.41	100	3.76	0.006	0.535	Woodlands	1791.0	0.002	0.232	2.143	117.5	32.21	3.648	0.001	0.04	3.13	2406	0.21	2.89	103.9
JMR_3353	CLAY/GRAVEL	0.011	100	3.76	0.004	0.035	Grassed Waterway	1361.2	0.002	0.756	0.500	196	41.26	4.750	0.000	0.04	1.05	1073	0.28	0.82	29.4
JMR_3354	GRASS	0.41	99.99979	3.76	0.014	0.391	Woodlands	1125.4	0.001	0.176	1.775	115.5	28.65	4.031	0.001	0.045	2.59	4225	0.45	2.62	94.1
JMR_3355	CROPS	0.17	100	3.76	0.010	0.217	Grassed Waterway	692.6	0.003	0.836	0.230	315	63.11	4.992	0.000	0.04	2.17	2397	0.31	0.75	27.1
JMR_3356	WOODS	0.4	100	3.76	0.004	0.605	Woodlands	1411.4	0.002	0.248	1.580	155	42.59	3.639	0.000	0.04	0.88	3512	1.11	3.30	118.4
JMR_3360	CROPS	0.17	300	3.76	0.012	0.490	Woodlands	6995.4	0.001	0.194	10.018	114	37.26	3.059	0.000	0.045	0.70	1183	0.47	10.98	394.5
JMR_3370	WOODS	0.4	100	3.76	0.014	0.379	Cultivated Crops	2982.4	0.001	0.240	3.448	100	32.81	3.048	0.000	0.05	1.12	1090	0.27	4.10	147.2
JMR_3380	CROPS	0.17	300	3.76	0.006	0.660	Grassed Waterway	1283.7	0.000	0.161	2.210	245	47.20	5.190	0.000	0.045	0.77	1864	0.67	3.54	127.2
JMR_4000	WOODS	0.4	100	3.76	0.044	0.240	Grassed Waterway	1393.0	0.010	1.626	0.238	187.5	48.03	3.904	0.002	0.05	3.07	1718	0.16	0.63	22.8
JMR_5000	GRASS	0.4	100	3.76	0.015	0.367	Cultivated Crops	1382.2	0.003	0.502	0.765	301.5	51.21	5.888	0.007	0.05	8.08	1374	0.05	1.49	53.6
JMR_6000	CROPS	0.17	300	3.76	0.004	0.775	Cultivated Crops	337.7	0.032	1.575	0.060	280	58.11	4.819	0.003	0.05	4.85	774	0.04	0.88	31.6
JMR_7000	CROPS	0.17	300	3.76	0.008	0.592	Cultivated Crops	1097.2	0.002	0.344	0.886	60	20.66	2.904	0.002	0.05	2.46	2773	0.31	1.79	64.4
JMR_7100	WOODS	0.4	100	3.76	0.036	0.261	Grassed Waterway	954.0	0.002	0.759	0.349	28.5	14.81	1.924	0.001	0.05	1.46	1526	0.29	0.90	32.3
JMR_8000	WOODS	0.4	100	3.76	0.016	0.361	Short Grass	2564.0	0.007	0.561	1.269	160	33.87	4.724	0.000	0.05	1.71	841	0.14	1.77	63.4
JMR_9000	GRASS	0.4	300	3.76	0.011	1.002	Cultivated Crops	1360.8	0.005	0.648	0.583	70	23.62	2.964	0.003	0.05	3.45	2231	0.18	2.54	91.3
JMR_9100	CROPS	0.17	300	3.76	0.006	0.659	Cultivated Crops	861.1	0.001	0.301	0.794	129.5	30.65	4.225	0.000	0.045	0.86	837	0.27	1.72	61.9

APPENDIX G
PRELIMINARY OPINION OF PROBABLE
CONSTRUCTION COST

City of Greenville, NC - Watershed Masterplan
Summary of Unit Costs

No	Description	Unit	Unit Cost
1	Mobilization (10%)	LS	
2	Comprehensive Grading (20%)	LS	
3	Excavation	CY	\$ 25.00
4	Hauling	CY	\$ 4.00
5	Clearing & Grubbing	AC	\$ 5,000.00
6	Channel Grading including seeding	SY	\$ 15.00
7	Construction Staking (Less than 300000)	LS	\$ 3,000.00
8	Construction Staking (300000-800000)	LS	\$ 6,000.00
9	Construction Staking (Greater than 800000)	LS	\$ 10,000.00
10	Select Material	CY	\$ 25.00
11	Flowable Fill	CY	\$ 500.00
12	12" R.C. Pipe Culvert, Class III	LF	\$ 45.00
13	15" R.C. Pipe Culvert, Class III	LF	\$ 50.00
14	18" R.C. Pipe Culvert, Class III	LF	\$ 55.00
15	18" R.C. Pipe Culvert, Class IV	LF	\$ 60.00
16	24" R.C. Pipe Culvert, Class III	LF	\$ 70.00
17	24" R.C. Pipe Culvert, Class IV	LF	\$ 75.00
18	30" R.C. Pipe Culvert, Class III	LF	\$ 90.00
19	30" R.C. Pipe Culvert, Class IV, 0' - 6' depth	LF	\$ 100.00
20	36" R.C. Pipe Culvert, Class III	LF	\$ 120.00
21	36" R.C. Pipe Culvert, Class IV	LF	\$ 130.00
22	36" Steel Pipe Culvert (Tunnel Installation)	LF	\$ 800.00
23	42" R.C. Pipe Culvert, Class III	LF	\$ 150.00
24	42" R.C. Pipe Culvert, Class IV	LF	\$ 165.00
25	48" R.C. Pipe Culvert, Class III	LF	\$ 180.00
26	48" R.C. Pipe Culvert, Class IV	LF	\$ 195.00
27	48" Steel Pipe Culvert (Tunnel Installation)	LF	\$ 1,100.00
28	54" R.C. Pipe Culvert, Class III	LF	\$ 200.00
29	60" R.C. Pipe Culvert, Class III	LF	\$ 225.00
30	60" Steel Pipe Culvert (Tunnel Installation)	LF	\$ 1,500.00
31	66" R.C. Pipe Culverts, Class III	LF	\$ 260.00
32	72" R.C. Pipe Culvert, Class III	LF	\$ 320.00
33	72" R.C. Pipe Culvert, Class IV	LF	\$ 370.00
34	72" Steel Pipe Culvert (Tunnel Installation)	LF	\$ 1,800.00
35	4' x 4' Precast R.C. Box Culvert	LF	\$ 400.00
36	5' x 3' Precast R.C. Box Culvert	LF	\$ 450.00
37	5' x 4' Precast R.C. Box Culvert	LF	\$ 500.00
38	6' x 3' Precast R.C. Box Culvert	LF	\$ 600.00
39	6' x 4' Precast R.C. Box Culvert	LF	\$ 650.00
40	6' x 5' Precast R.C. Box Culvert	LF	\$ 700.00
41	7' x 5' Precast R.C. Box Culvert	LF	\$ 750.00
42	7' x 6' Precast R.C. Box Culvert	LF	\$ 850.00
43	7' x 7' Reinforced Concrete Box Culvert	LF	\$ 1,200.00
44	8' x 4' Precast R.C. Box Culvert	LF	\$ 750.00
45	8' X 6' Reinforced Concrete Box Culvert	LF	\$ 1,200.00
46	9' x 5' Precast R.C. Box Culvert	LF	\$ 1,100.00
47	9' X 6' Reinforced Concrete Box Culvert	LF	\$ 1,400.00

City of Greenville, NC - Watershed Masterplan

Summary of Unit Costs

48	11' x 6' Precast R.C. Box Culvert	LF	\$ 1,500.00
49	11' x 7' Precast R.C. Box Culvert	LF	\$ 1,800.00
50	Drainage Structures, Manhole	EA	\$ 3,500.00
51	Drainage Structures, Inlet	EA	\$ 3,000.00
52	Drainage Structures, DOT Standard Endwall	EA	\$ 6,000.00
53	Drainage Structures, Box Culvert Custom Endwall	EA	\$ 15,000.00
54	Flared End Section, 18 inch	EA	\$ 1,000.00
55	Flared End Section, 36 inch	EA	\$ 2,500.00
56	Flared End Section, 42 inch	EA	\$ 2,500.00
57	Custom Junction Box	EA	\$ 15,000.00
58	Concrete Curb and Gutter	LF	\$ 35.00
59	6" Concrete Driveway Replacement	EA	\$ 1,500.00
60	4" Concrete Sidewalk	LF	\$ 40.00
61	Concrete Pipe Plug	EA	\$ 450.00
62	Asphalt Milling/Overlay	SY	\$ 30.00
63	Asphalt Replacement (Surface, Base Course, & Milling)	SY	\$ 55.00
64	ABC Stone	TN	\$ 35.00
65	Rip Rap Stone, Class B	TN	\$ 65.00
66	Rip Rap Stone, Class 1	TN	\$ 70.00
67	Rip Rap Stone, Class A	TN	\$ 65.00
68	#5 stone	TN	\$ 50.00
69	#57 stone	TN	\$ 65.00
70	Gravel Walkway #78 stone	TN	\$ 65.00
71	Stone Boulder	TN	\$ 200.00
72	Sand 2S	CY	\$ 60.00
73	Rock Grade Control	EA	\$ 10,000.00
74	Traffic Control	LS	\$ 10,000.00
75	Traffic Control (4+ lane road or multiple 2-lane roads)	LS	\$ 20,000.00
76	Erosion Control	LS	\$ 15,000.00
77	Erosion Control (2-5 acre LOD)	LS	\$ 30,000.00
78	Erosion Control (Greater than 5 acre LOD)	LS	\$ 50,000.00
79	Erosion Control Matting	SY	\$ 10.00
80	Fence Removal / Replacement	LF	\$ 50.00
81	Soil Media	CY	\$ 50.00
82	BMP Plantings	SF	\$ 2.00
83	Riparian Seed Mix	SY	\$ 1.50
84	Live Staking	SY	\$ 15.00
85	Seeding and Mulching	AC	\$ 7,500.00
86	Wood Retaining Wall (4' high)	LF	\$ 100.00
87	Log Grade Control Structure	EA	\$ 2,000.00
88	Gabion Wall	LF	\$ 300.00
89	Foundation Protection	EA	\$ 15,000.00
90	Utility Relocations (Minor Water line adjustments)	LS	\$ 5,000.00
91	Utility Relocations (Substantial Water line adjustments including)	LS	\$ 15,000.00
92	Utility Relocations (Substantial sanitary sewer and water line adjustments)	LS	\$ 30,000.00
93	21" R.C. Pipe Culvert, Class III	LF	\$ 65.00
94	27" R.C. Pipe Culvert, Class III	LF	\$ 80.00
95	PVC underdrain cleanout	EA	\$ 110.00
96	Mulch	CY	\$ 50.00

City of Greenville, NC - Watershed Masterplan
Summary of Unit Costs

97	5" Porous Asphalt	SF	\$ 7.00
98	8" Perforated PVC Underdrain	LF	\$ 10.00
99	8" PVC Pipe, SDR 35	LF	\$ 10.00
100	6' Chain Link Fence	LF	\$ 16.00
101	Pipe removal (15" - 18" dia)	LF	\$ 20.00
102	4' Personnel Gates	EA	\$ 375.00
103	20' Roadway Gates	EA	\$ 400.00
104	15" PVC Pipe, SDR 35	LF	\$ 18.00
105	BMP Outlet Structure	EA	\$ 4,000.00
106	Convert Yard Inlet to Junction Box	EA	\$ 1,500.00
107	Curb Cut	EA	\$ 400.00

PRIMARY SYSTEM

**PC/JMR Watershed Master Plan
Proposed Primary Improvements
Opinion of Probable Project Cost
December 2015**

**Primary System: N. Greene Street Crossing (Parker Creek Lateral 1)
Alternative 1 Description: Replace 7' x 5' Box Culvert with Twin 7' x 7' RCBC**

<i>Item</i>	<i>Description</i>	<i>Quantity</i>	<i>Unit</i>	<i>Unit Cost</i>	<i>Cost</i>
1	Mobilization (10%)	1	LS	\$ 27,850	\$ 27,900
2	Comprehensive Grading*	1	LS	\$ 55,700	\$ 55,700
3	Excavation	200	CY	\$ 25	\$ 5,000
4	Drainage Structures, Inlet	1	EA	\$ 3,000	\$ 3,000
5	Erosion Control Matting	100	SY	\$ 10	\$ 1,000
6	Seeding and Mulching	0.77	AC	\$ 7,500	\$ 5,800
7	15" R.C. Pipe Culvert, Class III	20	LF	\$ 50	\$ 1,000
8	Construction Staking	1	LS	\$ 3,000	\$ 3,000
9	Select Material	110	CY	\$ 25	\$ 2,800
10	Twin 7' x 7' R.C. Box Culvert	76	LF	\$ 2,400	\$ 182,400
11	Drainage Structures, Box Culvert Custom Endwall	2	EA	\$ 15,000	\$ 30,000
12	Rip Rap Stone, Class 1	50	TN	\$ 70	\$ 3,500
13	Asphalt Replacement (Surface, Base Course, & Milling)	200	SY	\$ 55	\$ 11,000
14	Traffic Control	1	LS	\$ 10,000	\$ 10,000
15	Erosion Control	1	LS	\$ 15,000	\$ 15,000
16	Utility Relocations**	1	EA	\$ 5,000	\$ 5,000
17	Pump around and Dewatering	1	LS	\$ 20,000	\$ 20,000

Subtotal, Items 1-17: \$ 382,100

30% Contingency \$ 114,630

Total \$ 496,730

Design, Administration, Fiscal and Legal (30% of Construction Costs) \$ 149,019

Total Opinion of Project Cost \$ 650,000

* Cost for comprehensive grading includes roadway excavation, saw cutting, compaction of select material, geotechnical recommendations, home owner coordination, tree and structure protection, structure removal and disposal, shoring and culvert excavation.

** Cost for utility conflicts include all utilities that need to be moved including sanitary sewer and potable water lines. Additional survey may be required to locate pressurized utilities

The Engineer's opinions of probable construction costs are made on the basis of the Engineer's experience and qualifications and represent the Engineer's best judgement as a professional generally familiar with the construction industry. Since the Engineer has no control over the cost of labor, materials, equipment, or services furnished by others, over the contractors methods of determining prices; or over competitive bidding or marketing conditions, the Engineer's cannot and does not guarantee that proposal, bids or actual construction costs will not vary from opinions of probable construction costs prepared by the Engineer.

**PC/JMR Watershed Master Plan
Proposed Primary Improvements
Opinion of Probable Project Cost
December 2015**

**Primary System: Memorial Drive Crossing (Parker Creek Lateral 2)
Alternative 2 Description: Replace 8.5' x 5' RCP with Triple 66" RCP**

<i>Item</i>	<i>Description</i>	<i>Quantity</i>	<i>Unit</i>	<i>Unit Cost</i>	<i>Cost</i>
1	Mobilization (10%)	1	LS	\$ 51,440	\$ 51,400
2	Comprehensive Grading*	1	LS	\$ 102,880	\$ 102,900
3	Excavation	1100	CY	\$ 25	\$ 27,500
4	Drainage Structures, Inlet	1	EA	\$ 3,000	\$ 3,000
5	Seeding and Mulching	0.77	AC	\$ 7,500	\$ 5,800
6	15" R.C. Pipe Culvert, Class III	20	LF	\$ 50	\$ 1,000
7	Construction Staking	1	LS	\$ 3,000	\$ 3,000
8	Select Material	690	CY	\$ 25	\$ 17,300
9	Quadruple 66" R.C. Pipe Culvert, Class III	360	LF	\$ 1,040	\$ 374,400
10	Additional 66" R.C. Pipe Culvert, Class III Under Railroad	93	LF	\$ 340	\$ 31,600
11	Drainage Structures, DOT Standard Endwall	2	EA	\$ 6,000	\$ 12,000
12	Rip Rap Stone, Class 1	50	TN	\$ 70	\$ 3,500
13	Asphalt Replacement (Surface, Base Course, & Milling)	96	SY	\$ 55	\$ 5,300
14	Traffic Control	1	LS	\$ 10,000	\$ 10,000
15	Erosion Control	1	LS	\$ 15,000	\$ 15,000
16	Utility Relocations**	1	EA	\$ 5,000	\$ 5,000
17	Pump around and Dewatering	1	LS	\$ 20,000	\$ 20,000

Subtotal, Items 1-16: \$ 688,700

30% Contingency \$ 206,610

Total \$ 895,310

Design, Administration, Fiscal and Legal (30% of Construction Costs) \$ 268,593

Total Opinion of Project Cost \$ 1,170,000

* Cost for comprehensive grading includes roadway excavation, saw cutting, compaction of select material, geotechnical recommendations, home owner coordination, tree and structure protection, structure removal and disposal, shoring and culvert excavation.

** Cost for utility conflicts include all utilities that need to be moved including sanitary sewer and potable water lines. Additional survey may be required to locate pressurized utilities

The Engineer's opinions of probable construction costs are made on the basis of the Engineer's experience and qualifications and represent the Engineer's best judgement as a professional generally familiar with the construction industry. Since the Engineer has no control over the cost of labor, materials, equipment, or services furnished by others, over the contractors methods of determining prices; or over competitive bidding or marketing conditions, the Engineer's cannot and does not guarantee that proposal, bids or actual construction costs will not vary from opinions of probable construction costs prepared by the Engineer.

**PC/JMR Watershed Master Plan
Proposed Primary Improvements
Opinion of Probable Project Cost
May 2016**

**Primary System: Staton Road Crossing (Parkers Creek)
Alternative 1 Description: Replace 8.5' x 5' RCP with Twin 9'x9' RCBC**

<i>Item</i>	<i>Description</i>	<i>Quantity</i>	<i>Unit</i>	<i>Unit Cost</i>	<i>Cost</i>
1	Mobilization (10%)	1	LS	\$ 30,960	\$ 31,000
2	Comprehensive Grading*	1	LS	\$ 61,920	\$ 61,900
3	Excavation	107	CY	\$ 25	\$ 2,700
4	Drainage Structures, Inlet	1	EA	\$ 3,000	\$ 3,000
5	Seeding and Mulching	0.77	AC	\$ 7,500	\$ 5,800
6	15" R.C. Pipe Culvert, Class III	20	LF	\$ 50	\$ 1,000
7	Construction Staking	1	LS	\$ 3,000	\$ 3,000
8	Select Material	690	CY	\$ 25	\$ 17,300
9	Twin 9'x9' RCBC	120	LF	\$ 1,800	\$ 216,000
10	Drainage Structures, DOT Standard Endwall	2	EA	\$ 6,000	\$ 12,000
11	Rip Rap Stone, Class 1	50	TN	\$ 70	\$ 3,500
12	Asphalt Replacement (Surface, Base Course, & Milling)	96	SY	\$ 55	\$ 5,300
13	Traffic Control	1	LS	\$ 10,000	\$ 10,000
14	Erosion Control	1	LS	\$ 15,000	\$ 15,000
15	Erosion Control	1	LS	\$ 15,000	\$ 15,000
16	Pump around and Dewatering	1	LS	\$ 20,000	\$ 20,000

Subtotal, Items 1-16:	\$ 422,500
30% Contingency	\$ 126,750
Total	\$ 549,250
Design, Administration, Fiscal and Legal (30% of Construction Costs)	\$ 164,775
Total Opinion of Project Cost	\$ 720,000

* Cost for comprehensive grading includes roadway excavation, saw cutting, compaction of select material, geotechnical recommendations, home owner coordination, tree and structure protection, structure removal and disposal, shoring and culvert excavation.

** Cost for utility conflicts include all utilities that need to be moved including sanitary sewer and potable water lines. Additional survey may be required to locate pressurized utilities

The Engineer's opinions of probable construction costs are made on the basis of the Engineer's experience and qualifications and represent the Engineer's best judgement as a professional generally familiar with the construction industry. Since the Engineer has no control over the cost of labor, materials, equipment, or services furnished by others, over the contractors methods of determining prices; or over competitive bidding or marketing conditions, the Engineer's cannot and does not guarantee that proposal, bids or actual construction costs will not vary from opinions of probable construction costs prepared by the Engineer.

**PC/JMR Watershed Master Plan
Proposed Water Quality Improvements
Opinion of Probable Project Cost
May 2016**

**Primary System Improvement: Regional Detention 1
Project Description: Detention Pond(s)**

<i>Item</i>	<i>Description</i>	<i>Quantity</i>	<i>Unit</i>	<i>Unit Cost</i>	<i>Cost</i>
1	Mobilization (10%)	0.3	LS	\$ 1,243,270	\$ 373,000
2	Comprehensive Grading*	0.3	LS	\$ 2,345,800	\$ 703,700
3	Excavation	580,000	CY	\$ 20	\$ 11,600,000
4	BMP Outlet Structure	4	EA	\$ 4,000	\$ 16,000
5	Erosion Control Matting	400	SY	\$ 10	\$ 4,000
6	Seeding and Mulching	2.0	AC	\$ 7,500	\$ 15,000
7	15" R.C. Pipe Culvert, Class III	500	LF	\$ 50	\$ 25,000
8	Construction Staking	2	LS	\$ 3,000	\$ 6,000
9	Drainage Structures, DOT Standard Endwall	1	EA	\$ 6,000	\$ 6,000
10	Rip Rap Stone, Class 1	100	TN	\$ 70	\$ 7,000
11	Erosion Control (Greater than 5 acre LOD)	1	LS	\$ 50,000	\$ 50,000

Subtotal, Items 1-11 \$ 12,805,700

30% Contingency \$ 3,841,710

Total \$ 16,647,410

Design, Administration, Fiscal and Legal (30% of Construction Costs) \$ 4,994,223

Total Opinion of Project Cost \$ 21,650,000

Notes:

Regional pond 1 is south of Hwy 264 downstream of Memorial Drive and is 60 acres.

An excavation depth of 6 feet is assumed for this estimate for a total volume of 580,000 cy.

The unit cost for excavation is reduced from \$25/cy to \$20/cy assuming a scale factor or use in nearby DOT project as fill.

* Cost for comprehensive grading includes roadway excavation, saw cutting, compaction of select material, geotechnical recommendations, home owner coordination, tree and structure protection, structure removal and disposal, shoring and culvert excavation.

** Cost for utility conflicts include all utilities that need to be moved including sanitary sewer and potable water lines. Additional survey may be required to locate pressurized utilities

The Engineer's opinions of probable construction costs are made on the basis of the Engineer's experience and qualifications and represent the Engineer's best judgement as a professional generally familiar with the construction industry. Since the Engineer has no control over the cost of labor, materials, equipment, or services furnished by others, over the contractors methods of determining prices; or over competitive bidding or marketing conditions, the Engineer's cannot and does not guarantee that proposal, bids or actual construction costs will not vary from opinions of probable construction costs prepared by the Engineer.

SECONDARY SYSTEM

**PC/JMR Watershed Master Plan
Proposed Secondary Improvements
Opinion of Probable Project Cost
May 2016**

**Secondary System: Countryside
Improvements Description: 1,000 Linear Feet of Stormwater System Improvements**

<i>Item</i>	<i>Description</i>	<i>Quantity</i>	<i>Unit</i>	<i>Unit Cost</i>	<i>Cost</i>
1	Mobilization (10%)	1	LS	\$ 26,000	\$ 26,000
2	Comprehensive Grading*	1	LS	\$ 52,000	\$ 52,000
3	Construction Staking	1	LS	\$ 3,000	\$ 3,000
4	Select Material	160	CY	\$ 25	\$ 4,000
5	24" R.C. Pipe Culvert, Class III	150	LF	\$ 70	\$ 10,500
7	3.3'x2' Elliptical RCP	800	LF	\$ 140	\$ 112,000
8	Channel Grading including seeding	1,700	SY	\$ 15	\$ 25,500
9	Drainage Structures, Inlet	3	EA	\$ 3,000	\$ 9,000
10	Flared End Section, 36 inch	3	EA	\$ 2,500	\$ 7,500
11	Concrete Curb and Gutter	350	LF	\$ 35	\$ 12,300
12	Asphalt Replacement (Surface, Base Course, & Milling)	822	SY	\$ 55	\$ 45,200
13	6" Concrete Driveway Replacement	2	EA	\$ 1,500	\$ 3,000
14	Traffic Control	1	LS	\$ 10,000	\$ 10,000
15	Erosion Control	1	LS	\$ 15,000	\$ 15,000
16	Utility Relocations**	1	EA	\$ 5,000	\$ 5,000

Subtotal, Items 1-16: \$ 340,000
30% Contingency \$ 102,000
Total \$ 442,000

Design, Administration, Fiscal and Legal (30% of Construction Costs) \$ 132,600
Total Opinion of Project Cost \$ 580,000

* Cost for comprehensive grading includes roadway excavation, saw cutting, compaction of select material, geotechnical recommendations, home owner coordination, tree and structure protection, structure removal and disposal, shoring and culvert excavation.

** Cost for utility conflicts include all utilities that need to be moved including sanitary sewer and potable water lines. Additional survey may be required to locate pressurized utilities

The Engineer's opinions of probable construction costs are made on the basis of the Engineer's experience and qualifications and represent the Engineer's best judgement as a professional generally familiar with the construction industry. Since the Engineer has no control over the cost of labor, materials, equipment, or services furnished by others, over the contractors methods of determining prices; or over competitive bidding or marketing conditions, the Engineer's cannot and does not guarantee that proposal, bids or actual construction costs will not vary from opinions of probable construction costs prepared by the Engineer.

**PC/JMR Watershed Master Plan
Proposed Secondary Improvements
Opinion of Probable Project Cost
May 2016**

**Secondary System: Haw Drive
Improvements Description: 600 Linear Feet of Stormwater System Improvements**

<i>Item</i>	<i>Description</i>	<i>Quantity</i>	<i>Unit</i>	<i>Unit Cost</i>	<i>Cost</i>
1	Mobilization (10%)	1	LS	\$ 15,000	\$ 15,000
2	Comprehensive Grading*	1	LS	\$ 29,000	\$ 30,000
3	Construction Staking	1	LS	\$ 3,000	\$ 3,000
4	Select Material	19	CY	\$ 25	\$ 500
5	24" R.C. Pipe Culvert, Class III	160	LF	\$ 70	\$ 11,200
5	3.3'x2' Elliptical RCP	422	LF	\$ 140	\$ 59,100
6	Channel Grading including seeding	89	SY	\$ 15	\$ 1,300
7	Drainage Structures, Manhole	1	EA	\$ 3,500	\$ 3,500
8	Drainage Structures, Inlet	2	EA	\$ 3,000	\$ 6,000
9	Flared End Section, 36 inch	4	EA	\$ 2,500	\$ 10,000
10	Concrete Curb and Gutter	150	LF	\$ 35	\$ 5,300
11	Asphalt Replacement (Surface, Base Course, & Milling)***	162	SY	\$ 55	\$ 8,900
12	6" Concrete Driveway Replacement	3	EA	\$ 1,500	\$ 4,500
13	Traffic Control	1	LS	\$ 10,000	\$ 10,000
14	Erosion Control	1	LS	\$ 15,000	\$ 15,000
15	Utility Relocations**	2	EA	\$ 5,000	\$ 10,000

Subtotal, Items 1-15: \$ 193,300

30% Contingency \$ 57,990

Total \$ 251,290

Design, Administration, Fiscal and Legal (30% of Construction Costs) \$ 75,387

Total Opinion of Project Cost \$ 330,000

* Cost for comprehensive grading includes roadway excavation, saw cutting, compaction of select material, geotechnical recommendations, home owner coordination, tree and structure protection, structure removal and disposal, shoring and culvert excavation.

** Cost for utility conflicts include all utilities that need to be moved including sanitary sewer and potable water lines. Additional survey may be required to locate pressurized utilities

The Engineer's opinions of probable construction costs are made on the basis of the Engineer's experience and qualifications and represent the Engineer's best judgement as a professional generally familiar with the construction industry. Since the Engineer has no control over the cost of labor, materials, equipment, or services furnished by others, over the contractors methods of determining prices; or over competitive bidding or marketing conditions, the Engineer's cannot and does not guarantee that proposal, bids or actual construction costs will not vary from opinions of probable construction costs prepared by the Engineer.

**PC/JMR Watershed Master Plan
Proposed Secondary Improvements
Opinion of Probable Project Cost
December 2015**

**Secondary System: Greenfield Terrace
Improvements Description: 920 Linear Feet of Stormwater System Improvements**

<i>Item</i>	<i>Description</i>	<i>Quantity</i>	<i>Unit</i>	<i>Unit Cost</i>	<i>Cost</i>
1	Mobilization (10%)	1	LS	\$ 20,000	\$ 20,000
2	Comprehensive Grading*	1	LS	\$ 40,000	\$ 41,000
3	Construction Staking	1	LS	\$ 3,000	\$ 3,000
4	Select Material	546	CY	\$ 25	\$ 13,700
5	30" R.C. Pipe Culvert, Class III	917	LF	\$ 90	\$ 82,500
6	Flared End Section, 36 inch	2	EA	\$ 2,500	\$ 5,000
7	Drainage Structures, Manhole	2	EA	\$ 3,500	\$ 7,000
8	Drainage Structures, Inlet	4	EA	\$ 3,000	\$ 12,000
9	Concrete Curb and Gutter	575	LF	\$ 35	\$ 20,100
10	Asphalt Replacement (Surface, Base Course, & Milling)***	411	SY	\$ 55	\$ 22,600
11	6" Concrete Driveway Replacement	5	EA	\$ 1,500	\$ 7,500
12	Traffic Control	1	LS	\$ 10,000	\$ 10,000
13	Erosion Control	1	LS	\$ 15,000	\$ 15,000
14	Utility Relocations**	1	EA	\$ 5,000	\$ 5,000

Subtotal, Items 1-14: \$ 264,400

30% Contingency \$ 79,320

Total \$ 343,720

Design, Administration, Fiscal and Legal (30% of Construction Costs) \$ 103,116

Total Opinion of Project Cost \$ 450,000

* Cost for comprehensive grading includes roadway excavation, saw cutting, compaction of select material, geotechnical recommendations, home owner coordination, tree and structure protection, structure removal and disposal, shoring and culvert excavation.

** Cost for utility conflicts include all utilities that need to be moved including sanitary sewer and potable water lines. Additional survey may be required to locate pressurized utilities

The Engineer's opinions of probable construction costs are made on the basis of the Engineer's experience and qualifications and represent the Engineer's best judgement as a professional generally familiar with the construction industry. Since the Engineer has no control over the cost of labor, materials, equipment, or services furnished by others, over the contractors methods of determining prices; or over competitive bidding or marketing conditions, the Engineer's cannot and does not guarantee that proposal, bids or actual construction costs will not vary from opinions of probable construction costs prepared by the Engineer.

**PC/JMR Watershed Master Plan
Proposed Water Quality Improvements
Opinion of Probable Project Cost
May 2016**

**Water Quality Project 2: Greenfield Terrace Park
Project Description: Stormwater Detention Wetland**

<i>Item</i>	<i>Description</i>	<i>Quantity</i>	<i>Unit</i>	<i>Unit Cost</i>	<i>Cost</i>
1	Mobilization (10%)	1	LS	\$ 218,000	\$ 222,000
2	Comprehensive Grading*	1	LS	\$ 18,000	\$ 445,000
3	Excavation	104,866	CY	\$ 20	\$ 2,097,300
4	BMP Outlet Structure	2	EA	\$ 4,000	\$ 8,000
5	Erosion Control Matting	250	SY	\$ 10	\$ 2,500
6	Seeding and Mulching	10.0	AC	\$ 7,500	\$ 75,000
7	15" R.C. Pipe Culvert, Class III	200	LF	\$ 50	\$ 10,000
8	Construction Staking	1	LS	\$ 3,000	\$ 3,000
9	Drainage Structures, DOT Standard Endwall	1	EA	\$ 6,000	\$ 6,000
10	Rip Rap Stone, Class 1	100	TN	\$ 70	\$ 7,000
11	Erosion Control	1	LS	\$ 15,000	\$ 15,000

Subtotal, Items 1-11 \$ 2,890,800

30% Contingency \$ 867,240

Total \$ 3,758,040

Design, Administration, Fiscal and Legal (30% of Construction Costs) \$ 1,127,412

Total Opinion of Project Cost \$ 4,890,000

Notes:

Detention pond/wetland is 10 acres.

An excavation depth of 5 feet is assumed for this estimate for a total volume of 2,178,000 cf or 80,666 cy.

The unit cost for excavation is reduced from \$25/cy to \$20/cy assuming a scale factor or use in nearby DOT project as fill.

* Cost for comprehensive grading includes roadway excavation, saw cutting, compaction of select material, geotechnical recommendations, home owner coordination, tree and structure protection, structure removal and disposal, shoring and culvert excavation.

** Cost for utility conflicts include all utilities that need to be moved including sanitary sewer and potable water lines. Additional survey may be required to locate pressurized utilities

The Engineer's opinions of probable construction costs are made on the basis of the Engineer's experience and qualifications and represent the Engineer's best judgement as a professional generally familiar with the construction industry. Since the Engineer has no control over the cost of labor, materials, equipment, or services furnished by others, over the contractors methods of determining prices; or over competitive bidding or marketing conditions, the Engineer's cannot and does not guarantee that proposal, bids or actual construction costs will not vary from opinions of probable construction costs prepared by the Engineer.

**PC/JMR Watershed Master Plan
Proposed Water Quality Improvements
Opinion of Probable Project Cost
December 2015**

**Water Quality Project 1: Welcome Middle School
Project Description: Wetland**

<i>Item</i>	<i>Description</i>	<i>Quantity</i>	<i>Unit</i>	<i>Unit Cost</i>	<i>Cost</i>
1	Mobilization (10%)	1	LS	\$ 7,620	\$ 7,600
2	Comprehensive Grading*	1	LS	\$ 12,700	\$ 12,700
3	Excavation	700	CY	\$ 25	\$ 17,500
4	Construction Staking	1	LS	\$ 3,000	\$ 3,000
5	Hauling	790	CY	\$ 4	\$ 3,200
6	BMP Plantings	7,107	SF	\$ 2	\$ 14,200
7	Seeding and Mulching	0.1	AC	\$ 7,500	\$ 800
8	18" R.C. Pipe Culvert, Class III	105	LF	\$ 55	\$ 5,800
9	BMP Outlet Structure	1	EA	\$ 4,000	\$ 4,000
10	Erosion Control	1	LS	\$ 15,000	\$ 15,000

Subtotal, Items 1-10 \$ 83,800

30% Contingency \$ 25,140

Total \$ 108,940

Design, Administration, Fiscal and Legal (30% of Construction Costs) \$ 32,682

Total Opinion of Project Cost \$ 150,000

* Cost for comprehensive grading includes roadway excavation, saw cutting, compaction of select material, geotechnical recommendations, home owner coordination, tree and structure protection, structure removal and disposal, shoring and culvert excavation.

** Cost for utility conflicts include all utilities that need to be moved including sanitary sewer and potable water lines. Additional survey may be required to locate pressurized utilities

The Engineer's opinions of probable construction costs are made on the basis of the Engineer's experience and qualifications and represent the Engineer's best judgement as a professional generally familiar with the construction industry. Since the Engineer has no control over the cost of labor, materials, equipment, or services furnished by others, over the contractors methods of determining prices; or over competitive bidding or marketing conditions, the Engineer's cannot and does not guarantee that proposal, bids or actual construction costs will not vary from opinions of probable construction costs prepared by the Engineer.

**PC/JMR Watershed Master Plan
Proposed Water Quality Improvements
Opinion of Probable Project Cost
May 2016**

**Stream Stabilization Project #2: Parkers Creek Bank Stabilization
Project Description: 1,000 Linear Feet of Stream Bank and Buffer Enhancement**

<i>Item</i>	<i>Description</i>	<i>Quantity</i>	<i>Unit</i>	<i>Unit Cost</i>	<i>Cost</i>
1	Mobilization (10%)	1	LS	\$ 11,380	\$ 11,400
2	Comprehensive Grading*	1	LS	\$ 15,000	\$ 15,000
3	Construction Staking	1	LS	\$ 3,000	\$ 3,000
4	Channel Grading including seeding	5,000	SY	\$ 15	\$ 75,000
5	Erosion Control Matting	200	SY	\$ 10	\$ 2,000
6	Riparian Seed Mix	2,500	SY	\$ 2	\$ 3,800
7	Erosion Control	1	LS	\$ 15,000	\$ 15,000

	Subtotal, Items 1-8	\$ 125,200
	30% Contingency	\$ 37,560
	Total	\$ 162,760
	Design, Administration, Fiscal and Legal (30% of Construction Costs)	\$ 48,828
	Total Opinion of Project Cost	\$ 220,000

* Cost for comprehensive grading includes roadway excavation, saw cutting, compaction of select material, geotechnical recommendations, home owner coordination, tree and structure protection, structure removal and disposal, shoring and culvert excavation.

The Engineer's opinions of probable construction costs are made on the basis of the Engineer's experience and qualifications and represent the Engineer's best judgement as a professional generally familiar with the construction industry. Since the Engineer has no control over the cost of labor, materials, equipment, or services furnished by others, over the contractors methods of determining prices; or over competitive bidding or marketing conditions, the Engineer's cannot and does not guarantee that proposal, bids or actual construction costs will not vary from opinions of probable construction costs prepared by the Engineer.

**PC/JMR Watershed Master Plan
Proposed Water Quality Improvements
Opinion of Probable Project Cost
December 2015**

**Water Quality Project 3: Staton Road Aquatics and Fitness Center Bioretention
Project Description: Bioretention**

<i>Item</i>	<i>Description</i>	<i>Quantity</i>	<i>Unit</i>	<i>Unit Cost</i>	<i>Cost</i>
1	Mobilization (10%)	1	LS	\$ 7,000	\$ 5,000
2	Comprehensive Grading*	1	LS	\$ 9,000	\$ 10,000
3	Demolition of Existing asphalt (incl saw cutting)	1,100	SY	\$ 10	\$ 11,000
4	Excavation	50	CY	\$ 25	\$ 1,300
5	ABC Stone	10	CY	\$ 35	\$ 400
6	Soil Media	50	CY	\$ 50	\$ 2,500
7	Mulch	8	CY	\$ 50	\$ 400
8	8" Perforated PVC Underdrain	45	LF	\$ 10	\$ 500
9	Construction Staking	1	LS	\$ 3,000	\$ 3,000
10	Hauling	50	CY	\$ 4	\$ 200
11	BMP Plantings	447	SY	\$ 2	\$ 900
12	Seeding and Mulching	0.1	LS	\$ 7,500	\$ 800
13	18" R.C. Pipe Culvert, Class III	12	LF	\$ 55	\$ 700
14	BMP Outlet Structure	1	EA	\$ 4,000	\$ 4,000
15	Traffic Control	1	LS	\$ 10,000	\$ 10,000
16	Erosion Control	1	LS	\$ 15,000	\$ 15,000

Subtotal, Items 1-19	\$	65,700
30% Contingency	\$	19,710
Total	\$	85,410
Design, Administration, Fiscal and Legal (30% of Construction Costs)	\$	25,623
Total Opinion of Project Cost	\$	120,000

* Cost for comprehensive grading includes roadway excavation, saw cutting, compaction of select material, geotechnical recommendations, home owner coordination, tree and structure protection, structure removal and disposal, shoring and culvert excavation.

** Cost for utility conflicts include all utilities that need to be moved including sanitary sewer and potable water lines. Additional survey may be required to locate pressurized utilities

The Engineer's opinions of probable construction costs are made on the basis of the Engineer's experience and qualifications and represent the Engineer's best judgement as a professional generally familiar with the construction industry. Since the Engineer has no control over the cost of labor, materials, equipment, or services furnished by others, over the contractors methods of determining prices; or over competitive bidding or marketing conditions, the Engineer's cannot and does not guarantee that proposal, bids or actual construction costs will not vary from opinions of probable construction costs prepared by the Engineer.

**PC/JMR Watershed Master Plan
Proposed Water Quality Improvements
Opinion of Probable Project Cost
December 2015**

**Water Quality Project 4: East Carolina Vocational Center
Project Description: Bioretention**

<i>Item</i>	<i>Description</i>	<i>Quantity</i>	<i>Unit</i>	<i>Unit Cost</i>	<i>Cost</i>
1	Mobilization (10%)	1	LS	\$ 7,530	\$ 7,500
2	Comprehensive Grading*	1	LS	\$ 20,200	\$ 20,200
3	Excavation	790	CY	\$ 25	\$ 19,800
4	8" Perforated PVC Underdrain	45	LF	\$ 10	\$ 500
5	Construction Staking	1	LS	\$ 3,000	\$ 3,000
6	Hauling	790	CY	\$ 4	\$ 3,200
7	BMP Plantings	1,500	SF	\$ 2	\$ 3,000
8	Seeding and Mulching	0.1	AC	\$ 7,500	\$ 800
9	18" R.C. Pipe Culvert, Class III	105	LF	\$ 55	\$ 5,800
10	BMP Outlet Structure	1	EA	\$ 4,000	\$ 4,000
11	Erosion Control	1	LS	\$ 15,000	\$ 15,000

Subtotal, Items 1-17 \$ 82,800

30% Contingency \$ 24,840

Total \$ 107,640

Design, Administration, Fiscal and Legal (30% of Construction Costs) \$ 32,292

Total Opinion of Project Cost \$ 140,000

* Cost for comprehensive grading includes roadway excavation, saw cutting, compaction of select material, geotechnical recommendations, home owner coordination, tree and structure protection, structure removal and disposal, shoring and culvert excavation.

** Cost for utility conflicts include all utilities that need to be moved including sanitary sewer and potable water lines. Additional survey may be required to locate pressurized utilities

The Engineer's opinions of probable construction costs are made on the basis of the Engineer's experience and qualifications and represent the Engineer's best judgement as a professional generally familiar with the construction industry. Since the Engineer has no control over the cost of labor, materials, equipment, or services furnished by others, over the contractors methods of determining prices; or over competitive bidding or marketing conditions, the Engineer's cannot and does not guarantee that proposal, bids or actual construction costs will not vary from opinions of probable construction costs prepared by the Engineer.

**PC/JMR Watershed Master Plan
Proposed Water Quality Improvements
Opinion of Probable Project Cost
December 2015**

**Water Quality Project 5: Church St Wetland
Project Description: Wetland**

<i>Item</i>	<i>Description</i>	<i>Quantity</i>	<i>Unit</i>	<i>Unit Cost</i>	<i>Cost</i>
1	Mobilization (10%)	1	LS	\$ 10,560	\$ 10,600
2	Comprehensive Grading*	1	LS	\$ 31,850	\$ 31,900
3	Excavation	790	CY	\$ 25	\$ 19,800
4	Mulch	132	CY	\$ 50	\$ 6,600
5	Drainage Structures, Manhole	1	EA	\$ 3,500	\$ 3,500
6	8" Perforated PVC Underdrain	200	LF	\$ 10	\$ 2,000
7	Construction Staking	1	LS	\$ 3,000	\$ 3,000
8	Hauling	790	CY	\$ 4	\$ 3,200
9	BMP Plantings	5,000	SF	\$ 2	\$ 10,000
10	Seeding and Mulching	0.1	AC	\$ 7,500	\$ 800
11	18" R.C. Pipe Culvert, Class III	105	LF	\$ 55	\$ 5,800
12	BMP Outlet Structure	1	EA	\$ 4,000	\$ 4,000
13	Erosion Control	1	LS	\$ 15,000	\$ 15,000

Subtotal, Items 1-13 \$ 116,200

30% Contingency \$ 34,860

Total \$ 151,060

Design, Administration, Fiscal and Legal (30% of Construction Costs) \$ 45,318

Total Opinion of Project Cost \$ 200,000

* Cost for comprehensive grading includes roadway excavation, saw cutting, compaction of select material, geotechnical recommendations, home owner coordination, tree and structure protection, structure removal and disposal, shoring and culvert excavation.

** Cost for utility conflicts include all utilities that need to be moved including sanitary sewer and potable water lines. Additional survey may be required to locate pressurized utilities

The Engineer's opinions of probable construction costs are made on the basis of the Engineer's experience and qualifications and represent the Engineer's best judgement as a professional generally familiar with the construction industry. Since the Engineer has no control over the cost of labor, materials, equipment, or services furnished by others, over the contractors methods of determining prices; or over competitive bidding or marketing conditions, the Engineer's cannot and does not guarantee that proposal, bids or actual construction costs will not vary from opinions of probable construction costs prepared by the Engineer.

STREAM STABILIZATION

Church Street Wetland (Parkers Creek Lateral 1)

**PC/JMR Watershed Master Plan
Proposed Water Quality Improvements
Opinion of Probable Project Cost
December 2015**

**Stream Stabilization Project #6: Parkers Creek Bank Stabilization
Project Description: 1,100 Linear Feet of Stream Bank Stabilization**

<i>Item</i>	<i>Description</i>	<i>Quantity</i>	<i>Unit</i>	<i>Unit Cost</i>	<i>Cost</i>
1	Mobilization (10%)	1	LS	\$ 14,230	\$ 14,200
2	Comprehensive Grading*	1	LS	\$ 15,000	\$ 15,000
3	Construction Staking	1	LS	\$ 3,000	\$ 3,000
4	Channel Grading including seeding	4,500	SY	\$ 15	\$ 67,500
5	Erosion Control Matting	500	SY	\$ 10	\$ 5,000
6	Live Staking	1000	SY	\$ 15	\$ 15,000
7	Riparian Seed Mix	4,500	SY	\$ 2	\$ 6,800
8	Rock Grade Control	0	EA	\$ 10,000	\$ -
9	Rip Rap Stone, Class 1	100	TN	\$ 70	\$ 7,000
10	Log Grade Control Structure	4	EA	\$ 2,000	\$ 8,000
11	Erosion Control	1	LS	\$ 15,000	\$ 15,000

Subtotal, Items 1-11 \$ 156,500

30% Contingency \$ 46,950

Total \$ 203,450

Design, Administration, Fiscal and Legal (30% of Construction Costs) \$ 61,035

Total Opinion of Project Cost \$ 270,000

* Cost for comprehensive grading includes roadway excavation, saw cutting, compaction of select material, geotechnical recommendations, home owner coordination, tree and structure protection, structure removal and disposal, shoring and culvert excavation.

The Engineer's opinions of probable construction costs are made on the basis of the Engineer's experience and qualifications and represent the Engineer's best judgement as a professional generally familiar with the construction industry. Since the Engineer has no control over the cost of labor, materials, equipment, or services furnished by others, over the contractors methods of determining prices; or over competitive bidding or marketing conditions, the Engineer's cannot and does not guarantee that proposal, bids or actual construction costs will not vary from opinions of probable construction costs prepared by the Engineer.

**PC/JMR Watershed Master Plan
Proposed Water Quality Improvements
Opinion of Probable Project Cost
December 2015**

**Stream Bank Stabilization Project #1: Parkers Creek Bank Stabilization
Project Description: 110 Linear Feet of Stream Bank Stabilization**

<i>Item</i>	<i>Description</i>	<i>Quantity</i>	<i>Unit Override</i>	<i>Unit</i>	<i>Unit Cost Override</i>	<i>Unit Cost</i>	<i>Cost</i>
1	Mobilization (10%)	1		LS	\$ 2,050.0	\$ 2,050	\$ 2,100
2	Comprehensive Grading*	1		LS	5000	\$ 5,000	\$ 5,000
4	Channel Grading including seeding	600		SY		\$ 15	\$ 9,000
5	Erosion Control Matting	300		SY		\$ 10	\$ 3,000
6	Riparian Seed Mix	1,000		SY		\$ 2	\$ 1,500
7	Erosion Control	1		LS	3000	\$ 2,000	\$ 2,000

Subtotal, Items 1-7 \$ 22,600

30% Contingency \$ 6,780

Total \$ 29,380

Design, Administration, Fiscal and Legal (30% of Construction Costs) \$ 8,814

Total Opinion of Project Cost \$ 39,000

The Engineer's opinions of probable construction costs are made on the basis of the Engineer's experience and qualifications and represent the Engineer's best judgement as a professional generally familiar with the construction industry. Since the Engineer has no control over the cost of labor, materials, equipment, or services furnished by others, over the contractors methods of determining prices; or over competitive bidding or marketing conditions, the Engineer's cannot and does not guarantee that proposal, bids or actual construction costs will not vary from opinions of probable construction costs prepared by the Engineer.

**PC/JMR Watershed Master Plan
Proposed Water Quality Improvements
Opinion of Probable Project Cost
May 2016**

**Stream Stabilization Project #2: Parkers Creek Bank Stabilization
Project Description: 1,000 Linear Feet of Stream Bank and Buffer Enhancement**

<i>Item</i>	<i>Description</i>	<i>Quantity</i>	<i>Unit</i>	<i>Unit Cost</i>	<i>Cost</i>
1	Mobilization (10%)	1	LS	\$ 7,630	\$ 7,600
2	Comprehensive Grading*	1	LS	\$ 15,000	\$ 15,000
3	Construction Staking	1	LS	\$ 3,000	\$ 3,000
5	Channel Grading including seeding	2,500	SY	\$ 15	\$ 37,500
6	Erosion Control Matting	200	SY	\$ 10	\$ 2,000
7	Riparian Seed Mix	2,500	SY	\$ 2	\$ 3,800
8	Erosion Control	1	LS	\$ 15,000	\$ 15,000

	Subtotal, Items 1-8	\$ 83,900
	30% Contingency	\$ 25,170
	Total	\$ 109,070
	Design, Administration, Fiscal and Legal (30% of Construction Costs)	\$ 32,721
	Total Opinion of Project Cost	\$ 150,000

* Cost for comprehensive grading includes roadway excavation, saw cutting, compaction of select material, geotechnical recommendations, home owner coordination, tree and structure protection, structure removal and disposal, shoring and culvert excavation

The Engineer's opinions of probable construction costs are made on the basis of the Engineer's experience and qualifications and represent the Engineer's best judgement as a professional generally familiar with the construction industry. Since the Engineer has no control over the cost of labor, materials, equipment, or services furnished by others, over the contractors methods of determining prices; or over competitive bidding or marketing conditions, the Engineer's cannot and does not guarantee that proposal, bids or actual construction costs will not vary from opinions of probable construction costs prepared by the Engineer

**HMR/SHB Watershed Master Plan
Proposed Water Quality Improvements
Opinion of Probable Project Cost
December 2015**

**Bank Stabilization Project #3: Parker Creek Stormwater Outfall
Project Description: 60 Linear Feet of Streambank Stabilization**

<i>Item</i>	<i>Description</i>	<i>Quantity</i>	<i>Unit</i>	<i>Unit Cost</i>	<i>Cost</i>
1	Mobilization (10%)	1	LS	\$ 1,680	\$ 1,700
2	Comprehensive Grading*	1	LS	\$ 5,000	\$ 5,000
3	Channel Grading including seeding	400	SY	\$ 15	\$ 6,000
4	Erosion Control Matting	300	SY	\$ 10	\$ 3,000
5	Riparian Seed Mix	500	SY	\$ 2	\$ 800
6	Erosion Control	1	LS	\$ 2,000	\$ 2,000

	Subtotal, Items 1-6	\$ 18,500
	30% Contingency	\$ 5,550
	Total	\$ 24,050
Design, Administration, Fiscal and Legal (30% of Construction Costs)	\$	7,215
	Total Opinion of Project Cost	\$ 32,000

The Engineer's opinions of probable construction costs are made on the basis of the Engineer's experience and qualifications and represent the Engineer's best judgement as a professional generally familiar with the construction industry. Since the Engineer has no control over the cost of labor, materials, equipment, or services furnished by others, over the contractors methods of determining prices; or over competitive bidding or marketing conditions, the Engineer's cannot and does not guarantee that proposal, bids or actual construction costs will not vary from opinions of probable construction costs prepared by the Engineer.

**HMR/SHB Watershed Master Plan
Proposed Water Quality Improvements
Opinion of Probable Project Cost
December 2015**

**Bank Stabilization Project #4: Parker Creek Stormwater Outfall
Project Description: 60 Linear Feet of Streambank Stabilization**

<i>Item</i>	<i>Description</i>	<i>Quantity</i>	<i>Unit</i>	<i>Unit Cost</i>	<i>Cost</i>
1	Mobilization (10%)	1	LS	\$ 1,580	\$ 1,600
2	Comprehensive Grading*	1	LS	\$ 5,000	\$ 5,000
3	Channel Grading including seeding	200	SY	\$ 15	\$ 3,000
4	Erosion Control Matting	200	SY	\$ 10	\$ 2,000
5	Riparian Seed Mix	200	SY	\$ 2	\$ 300
6	Rip Rap Stone, Class 1	50	TN	\$ 70	\$ 3,500
7	Erosion Control	1	LS	\$ 2,000	\$ 2,000

Subtotal, Items 1-7	\$	17,400
30% Contingency	\$	5,220
Total	\$	22,620
Design, Administration, Fiscal and Legal (30% of Construction Costs)	\$	6,786
Total Opinion of Project Cost	\$	30,000

The Engineer's opinions of probable construction costs are made on the basis of the Engineer's experience and qualifications and represent the Engineer's best judgement as a professional generally familiar with the construction industry. Since the Engineer has no control over the cost of labor, materials, equipment, or services furnished by others, over the contractors methods of determining prices; or over competitive bidding or marketing conditions, the Engineer's cannot and does not guarantee that proposal, bids or actual construction costs will not vary from opinions of probable construction costs prepared by the Engineer.

**HMR/SHB Watershed Master Plan
Proposed Water Quality Improvements
Opinion of Probable Project Cost
May 2016**

**Stream Stabilization Project 5: River Park North Channel Stabilization
Project Description: 550 Linear Feet of Stream Stabilization**

<i>Item</i>	<i>Description</i>	<i>Quantity</i>	<i>Unit</i>	<i>Unit Cost</i>	<i>Cost</i>
1	Mobilization (10%)	1	LS	\$ 10,380	\$ 10,400
2	Comprehensive Grading*	1	LS	\$ 15,000	\$ 15,000
3	Construction Staking	1	LS	\$ 3,000	\$ 3,000
4	Channel Grading including seeding	1,200	SY	\$ 15	\$ 18,000
5	Erosion Control Matting	600	SY	\$ 10	\$ 6,000
6	Live Staking	600	SY	\$ 15	\$ 9,000
7	Riparian Seed Mix	1,200	SY	\$ 2	\$ 1,800
8	Rock Grade Control	2	EA	\$ 10,000	\$ 20,000
9	Log Grade Control Structure	8	EA	\$ 2,000	\$ 16,000
10	Erosion Control	1	LS	\$ 15,000	\$ 15,000

Subtotal, Items 1-10 \$ 117,867

30% Contingency \$ 35,360

Total \$ 153,227

Design, Administration, Fiscal and Legal (30% of Construction Costs) \$ 45,968

Total Opinion of Project Cost \$ 200,000

* Cost for comprehensive grading includes roadway excavation, saw cutting, compaction of select material, geotechnical recommendations, home owner coordination, tree and structure protection, structure removal and disposal, shoring and culvert excavation.

The Engineer's opinions of probable construction costs are made on the basis of the Engineer's experience and qualifications and represent the Engineer's best judgement as a professional generally familiar with the construction industry. Since the Engineer has no control over the cost of labor, materials, equipment, or services furnished by others, over the contractors methods of determining prices; or over competitive bidding or marketing conditions, the Engineer's cannot and does not guarantee that proposal, bids or actual construction costs will not vary from opinions of probable construction costs prepared by the Engineer.

**PC/JMR Watershed Master Plan
Proposed Water Quality Improvements
Opinion of Probable Project Cost
May 2016**

**Stream Maintenance Project #5: Parker Creek Tributary 1 Existing Stabilization in Disrepair
Project Description: 40 Linear Feet of Streambank Stabilization**

<i>Item</i>	<i>Description</i>	<i>Quantity</i>	<i>Unit</i>	<i>Unit Cost</i>	<i>Cost</i>
1	Mobilization (10%)	1	LS	\$ 1,280	\$ 1,300
2	Comprehensive Grading*	0	LS	\$ 2,000	\$ -
3	Construction Staking	0	LS	\$ 3,000	\$ -
4	Channel Grading including seeding	0	SY	\$ 15	\$ -
5	Erosion Control Matting	100	SY	\$ 10	\$ 1,000
6	Live Staking	100	SY	\$ 15	\$ 1,500
7	Riparian Seed Mix	200	SY	\$ 2	\$ 300
8	Rip Rap Stone, Class 1	100	TN	\$ 70	\$ 7,000
9	Erosion Control	1	LS	\$ 3,000	\$ 3,000

	Subtotal, Items 1-9	\$ 14,100
	30% Contingency	\$ 4,230
	Total	\$ 18,330
Design, Administration, Fiscal and Legal (30% of Construction Costs)	\$	5,499
	Total Opinion of Project Cost	\$ 24,000

* Cost for comprehensive grading includes roadway excavation, saw cutting, compaction of select material, geotechnical recommendations, home owner coordination, tree and structure protection, structure removal and disposal, shoring and culvert excavation

The Engineer's opinions of probable construction costs are made on the basis of the Engineer's experience and qualifications and represent the Engineer's best judgement as a professional generally familiar with the construction industry. Since the Engineer has no control over the cost of labor, materials, equipment, or services furnished by others, over the contractors methods of determining prices; or over competitive bidding or marketing conditions, the Engineer's cannot and does not guarantee that proposal, bids or actual construction costs will not vary from opinions of probable construction costs prepared by the Engineer

**PC/JMR Watershed Master Plan
Proposed Water Quality Improvements
Opinion of Probable Project Cost
May 2016**

**Maintenance Project #6: Parker Creek Tributary 1 Trash Removal
Project Description: 80 Linear Feet of Stream Cleanup**

<i>Item</i>	<i>Description</i>	<i>Quantity</i>	<i>Unit</i>	<i>Unit Cost</i>	<i>Cost</i>
1	Mobilization (10%)	1	LS	\$ 200	\$ 200

Subtotal, Item 1	\$	200
30% Contingency	\$	60
Total	\$	260
Total Opinion of Project Cost	\$	300

Notes: Mobilization includes assembling materials for a volunteer crew to collect, bag, and dispose of trash. Materials include trash bags, rakes, and gloves.

The Engineer's opinions of probable construction costs are made on the basis of the Engineer's experience and qualifications and represent the Engineer's best judgement as a professional generally familiar with the construction industry. Since the Engineer has no control over the cost of labor, materials, equipment, or services furnished by others, over the contractors methods of determining prices; or over competitive bidding or marketing conditions, the Engineer's cannot Church Street Wetland (Parkers Creek Lateral 1)

**HMR/SHB Watershed Master Plan
Proposed Water Quality Improvements
Opinion of Probable Project Cost
June 2016**

**Maintenance Project at Greenfield Terrace
Project Description: Outfall Pipe Replacement and Headwall Installation (2)**

<i>Item</i>	<i>Description</i>	<i>Quantity</i>	<i>Unit</i>	<i>Unit Cost</i>	<i>Cost</i>
1	Mobilization (10%)	1	LS	\$ 1,580	\$ 1,600
2	Comprehensive Grading*	1	LS	\$ 2,000	\$ 2,000
3	Channel Grading including seeding	40	SY	\$ 15	\$ 600
4	Erosion Control Matting	40	SY	\$ 5	\$ 200
5	Drainage Structures, DOT Standard Endwall	2	EA	\$ 6,000	\$ 12,000
6	Erosion Control	1	LS	\$ 1,000	\$ 1,000

Subtotal, Items 1-6 \$ 17,400

30% Contingency \$ 5,220

Total \$ 22,620

Design, Administration, Fiscal and Legal (30% of Construction Costs) \$ 6,786

Total Opinion of Project Cost \$ 30,000

* Cost for comprehensive grading includes roadway excavation, saw cutting, compaction of select material, geotechnical recommendations, home owner coordination, tree and structure protection, structure removal and disposal, shoring and culvert excavation.

The Engineer's opinions of probable construction costs are made on the basis of the Engineer's experience and qualifications and represent the Engineer's best judgement as a professional generally familiar with the construction industry. Since the Engineer has no control over the cost of labor, materials, equipment, or services furnished by others, over the contractors methods of determining prices; or over competitive bidding or marketing conditions, the Engineer's cannot and does not guarantee that proposal, bids or actual construction costs will not vary from opinions of probable construction costs prepared by the Engineer.

**HMR/SHB Watershed Master Plan
Proposed Water Quality Improvements
Opinion of Probable Project Cost
June 2016**

**Maintenance Project at Terrace Lane
Project Description: Junction Box Cover Replacement (2)**

<i>Item</i>	<i>Description</i>	<i>Quantity</i>	<i>Unit</i>	<i>Unit Cost</i>	<i>Cost</i>
1	Drainage Structures, Manhole	2	EA	\$ 500	\$ 1,000

Subtotal, Items 1 \$ 1,000

30% Contingency \$ 300

Total \$ 1,300

Design, Administration, Fiscal and Legal (30% of Construction Costs) \$ 390

Total Opinion of Project Cost \$ 2,000

The Engineer's opinions of probable construction costs are made on the basis of the Engineer's experience and qualifications and represent the Engineer's best judgement as a professional generally familiar with the construction industry. Since the Engineer has no control over the cost of labor, materials, equipment, or services furnished by others, over the contractors methods of determining prices; or over competitive bidding or marketing conditions, the Engineer's cannot and does not guarantee that proposal, bids or actual construction costs will not vary from opinions of probable construction costs prepared by the Engineer.

**HMR/SHB Watershed Master Plan
Proposed Water Quality Improvements
Opinion of Probable Project Cost
June 2016**

**Culvert Maintenance Project at NC 33
Project Description: Remove Sediment and Vegetation**

<i>Item</i>	<i>Description</i>	<i>Quantity</i>	<i>Unit</i>	<i>Unit Cost</i>	<i>Cost</i>
1	Mobilization (10%)	1	LS	\$ 100	\$ 100
2	Excavation	40	CY	\$ 25	\$ 1,000

	Subtotal, Items 1-2	\$ 1,100
	30% Contingency	\$ 330
	Total	\$ 1,430
Design, Administration, Fiscal and Legal (30% of Construction Costs)	\$	429
	Total Opinion of Project Cost	\$ 2,000

* Cost for comprehensive grading includes roadway excavation, saw cutting, compaction of select material, geotechnical recommendations, home owner coordination, tree and structure protection, structure removal and disposal, shoring and culvert excavation.

The Engineer's opinions of probable construction costs are made on the basis of the Engineer's experience and qualifications and represent the Engineer's best judgement as a professional generally familiar with the construction industry. Since the Engineer has no control over the cost of labor, materials, equipment, or services furnished by others, over the contractors methods of determining prices; or over competitive bidding or marketing conditions, the Engineer's cannot and does not guarantee that proposal, bids or actual construction costs will not vary from opinions of probable construction costs prepared by the Engineer.

APPENDIX H
HYDRAULIC AND HYDROLOGIC
INPUT AND OUTPUT

Project: ParkersCreek

Simulation Run: 2YR-EX(Sny)

Start of Run: 01Apr2015, 00:00

Basin Model: Parkers Creek-EX(Snyder)

End of Run: 03Apr2015, 00:00

Meteorilgic Model: 2-YR

Compute Time: 16Dec2015, 12:40:34

Control Specifications: Control 1

Hydrologic Element	Drainage Area (MI2)	Peak Discharge (CFS)	Time of Peak	Volume (IN)
PC_2800	0.293	31.5	01Apr2015, 15:02	1.73
PC_2910	0.097	14.8	01Apr2015, 14:01	1.81
J_PC_2910	0.097	14.8	01Apr2015, 14:01	1.81
R_PC_2900	0.097	14.8	01Apr2015, 14:06	1.81
PC_3100	0.091	17	01Apr2015, 13:33	1.8
J_PC_3100	0.091	17	01Apr2015, 13:33	1.8
R_PC_3000	0.091	15.1	01Apr2015, 13:35	1.72
PC_3000	0.042	6.3	01Apr2015, 14:03	1.81
PC_2900	0.015	3	01Apr2015, 13:26	1.82
J_PC_2900	0.245	38.6	01Apr2015, 13:56	1.78
R_PC_2800	0.245	28.8	01Apr2015, 14:02	1.63
J_PC_2800	0.538	59	01Apr2015, 14:45	1.68
R_PC_2700	0.538	47.6	01Apr2015, 14:57	1.57
PC_2700	0.302	28.6	01Apr2015, 14:56	1.48
PC_2620	0.131	16.8	01Apr2015, 13:43	1.36
J_PC_2620	0.131	16.8	01Apr2015, 13:43	1.36
R_PC_2610	0.131	7.5	01Apr2015, 15:37	0.97
PC_2610	0.107	9	01Apr2015, 14:35	1.2
J_PC_2700	1.078	92.5	01Apr2015, 14:57	1.43
R_PC_2600	1.078	88.8	01Apr2015, 15:01	1.42
PC_2520	0.299	24.7	01Apr2015, 16:22	1.71
PC_2521	0.271	10.6	01Apr2015, 23:39	1.37
J_PC_2521	0.271	10.6	01Apr2015, 23:39	1.37
R_PC_2520	0.271	10.5	02Apr2015, 00:33	1.35
PC_2530	0.25	20.1	01Apr2015, 16:32	1.7
PC_2540	0.131	8.5	01Apr2015, 18:05	1.68
J_PC_2540	0.131	8.5	01Apr2015, 18:05	1.68
R_PC_2530	0.131	8.5	01Apr2015, 19:05	1.66
J_PC_2520	0.951	55.8	01Apr2015, 18:05	1.6
R_PC_2510	0.951	55.8	01Apr2015, 18:16	1.59
PC_2510	0.103	15.9	01Apr2015, 13:02	1.13
J_PC_2510	1.054	60.3	01Apr2015, 17:36	1.55
R_PC_2500	1.054	60.3	01Apr2015, 17:40	1.55
PC_2600	0.012	2.7	01Apr2015, 13:01	1.58
PC_2500	0.011	1.9	01Apr2015, 12:44	0.95
J_PC_2500	2.155	145.7	01Apr2015, 16:09	1.48
R_PC_2400	2.155	134.5	01Apr2015, 16:59	1.47
PC_2300	0.325	54.4	01Apr2015, 13:22	1.48

PC_2400	0.081	6.6	01Apr2015, 13:41	0.88
PC_2310	0.056	6.3	01Apr2015, 13:59	1.33
J_PC_2310	0.056	6.3	01Apr2015, 13:59	1.33
J_PC_2300	2.617	175.4	01Apr2015, 16:04	1.45
R_PC_2200	2.617	175	01Apr2015, 16:18	1.45
R_PC_2300	0.056	5.5	01Apr2015, 17:00	1.28
PC_2200	0.084	19	01Apr2015, 12:53	1.42
J_PC_2200	2.701	181.8	01Apr2015, 16:07	1.45
R_PC_2100	2.701	181.4	01Apr2015, 16:22	1.45
PC_2410	0.14	20.9	01Apr2015, 13:34	1.46
J_PC_2410	0.14	20.9	01Apr2015, 13:34	1.46
R_PC_2010	0.14	20.6	01Apr2015, 14:05	1.46
PC_2010	0.125	22.7	01Apr2015, 13:12	1.45
J_PC_2010	0.265	40.7	01Apr2015, 13:51	1.45
R_PC_2000	0.265	34.4	01Apr2015, 13:52	1.33
PC_2100	0.234	20.2	01Apr2015, 15:50	1.63
PC_2000	0.068	5.4	01Apr2015, 15:04	1.25
J_PC_2000	3.268	230.9	01Apr2015, 15:54	1.45
R_PC_1900	3.268	230.8	01Apr2015, 16:02	1.45
PC_1820	0.061	12.9	01Apr2015, 13:29	1.96
PC_1830	0.013	3.4	01Apr2015, 12:48	1.52
J_PC_1830	0.013	3.4	01Apr2015, 12:48	1.52
R_PC_1820	0.013	3.4	01Apr2015, 12:56	1.52
J_PC_1820	0.074	15.8	01Apr2015, 13:23	1.88
R_PC_1810	0.074	15.8	01Apr2015, 13:29	1.88
PC_1810	0.053	15.4	01Apr2015, 12:59	1.96
J_PC_1810	0.127	30.1	01Apr2015, 13:18	1.92
R_PC_1800	0.127	30.1	01Apr2015, 13:20	1.92
PC_1800	0.077	17.6	01Apr2015, 13:11	1.8
PC_1900	0.026	16.9	01Apr2015, 12:20	2
J_PC_1800	3.498	260.5	01Apr2015, 15:22	1.48
R_PC_1700	3.498	250.2	01Apr2015, 16:45	1.47
PC_1620	0.106	15.1	01Apr2015, 14:46	2.14
J_PC_1620	0.106	15.1	01Apr2015, 14:46	2.14
R_PC_1610	0.106	15	01Apr2015, 14:59	2.14
PC_1610	0.08	26.5	01Apr2015, 12:56	2.14
J_PC_1610	0.186	31.7	01Apr2015, 13:44	2.14
R_PC_1600	0.186	31.7	01Apr2015, 13:49	2.14
PC_1700	0.186	22.9	01Apr2015, 13:51	1.38
PC_1600	0.034	8.5	01Apr2015, 13:07	1.88
J_PC_1600	3.904	294.1	01Apr2015, 16:04	1.5
R_PC_1500	3.904	290.5	01Apr2015, 16:52	1.5
PC_1500	0.129	26.1	01Apr2015, 13:25	1.82
J_PC_1500	4.033	304.5	01Apr2015, 16:37	1.51
R_PC_1400	4.033	302	01Apr2015, 17:16	1.51
PC_571	0.27	7.4	01Apr2015, 20:08	0.8
J_PC_571	0.27	7.4	01Apr2015, 20:08	0.8

R_PC_1360	0.27	7.2	01Apr2015, 20:31	0.79
PC_1360	0.083	4.6	01Apr2015, 13:55	0.64
J_PC_1360	0.353	9.4	01Apr2015, 18:21	0.76
R_PC_1350	0.353	9.4	01Apr2015, 18:58	0.75
PC_1370	0.092	5.8	01Apr2015, 15:12	1.01
J_PC_1370	0.092	5.8	01Apr2015, 15:12	1.01
R_PC_1327	0.092	5.8	01Apr2015, 15:19	1.01
PC_1327	0.047	12.1	01Apr2015, 12:39	1.25
J_PC_1327	0.139	12.7	01Apr2015, 12:43	1.09
R_PC_1325	0.139	9.4	01Apr2015, 14:39	1.05
PC_1326	0.106	10.6	01Apr2015, 13:51	1.14
J_PC_1326	0.106	10.6	01Apr2015, 13:51	1.14
R_PC_1324	0.106	10.6	01Apr2015, 14:01	1.14
PC_1325	0.048	2.8	01Apr2015, 13:57	0.68
PC_1324	0.032	4.3	01Apr2015, 13:14	1.13
J_PC_1324	0.325	26.3	01Apr2015, 14:06	1.03
R_PC_1323	0.325	26.3	01Apr2015, 14:07	1.03
PC_1350	0.098	12	01Apr2015, 13:08	0.97
PC_1323	0.027	3.6	01Apr2015, 13:11	1.07
J_PC_1323	0.803	44.5	01Apr2015, 14:04	0.9
R_PC_1321	0.803	40.4	01Apr2015, 14:06	0.87
PC_1321	0.074	9.9	01Apr2015, 13:28	1.26
J_PC_1321	0.877	49.8	01Apr2015, 13:59	0.91
R_PC_1320	0.877	49.8	01Apr2015, 14:01	0.91
PC_1330	0.137	22.5	01Apr2015, 13:17	1.38
PC_1340	0.102	7.3	01Apr2015, 15:21	1.19
J_PC_1340	0.102	7.3	01Apr2015, 15:21	1.19
R_PC_1330	0.102	5.8	01Apr2015, 18:45	1.19
PC_1320	0.035	13.1	01Apr2015, 12:40	1.88
J_PC_1320	1.151	79.8	01Apr2015, 13:42	1.02
R_PC_1310	1.151	75.5	01Apr2015, 14:29	1.02
PC_1310	0.278	38.2	01Apr2015, 14:01	1.63
J_PC_1310	1.429	113	01Apr2015, 14:20	1.14
R_PC_1300	1.429	108.6	01Apr2015, 15:06	1.13
PC_1300	0.135	22.6	01Apr2015, 13:40	1.71
J_PC_L2	1.564	127.9	01Apr2015, 14:57	1.18
PC_1400	0.165	15.5	01Apr2015, 14:30	1.31
J_PC_1300	5.762	424.7	01Apr2015, 16:26	1.42
R_PC_1200	5.762	423.6	01Apr2015, 16:44	1.42
PC_1200	0.111	8.5	01Apr2015, 13:38	0.81
J_PC_1200	5.873	429.3	01Apr2015, 16:41	1.4
R_PC_1100	5.873	408.4	01Apr2015, 18:12	1.4
PC_1100	0.182	12.3	01Apr2015, 15:33	1.17
PC_1000	0.168	15.8	01Apr2015, 13:34	0.96
J_PC_1000	6.223	426.8	01Apr2015, 18:05	1.38
R_PC_900	6.223	419.3	01Apr2015, 18:58	1.38
PC_900	0.463	39.5	01Apr2015, 13:24	0.82

PC_810	0.208	34.8	01Apr2015, 13:35	1.65
PC_820	0.066	9.1	01Apr2015, 13:29	1.3
J_PC_820	0.066	9.1	01Apr2015, 13:29	1.3
R_PC_810	0.066	8.1	01Apr2015, 14:22	1.28
J_PC_810	0.274	42	01Apr2015, 13:43	1.56
R_PC_800	0.274	42	01Apr2015, 13:51	1.56
PC_800	0.16	42.5	01Apr2015, 12:45	1.46
J_PC_800	7.12	457.7	01Apr2015, 18:35	1.35
R_PC_700	7.12	456.6	01Apr2015, 18:55	1.35
PC_700	0.154	41.2	01Apr2015, 12:31	1.07
J_PC_700	7.274	460.1	01Apr2015, 18:54	1.35
R_PC_600	7.274	460.1	01Apr2015, 18:57	1.35
PC_570	0.416	20.9	01Apr2015, 14:45	0.71
PC_590	0.172	10.5	01Apr2015, 14:47	0.89
J_PC_590	0.172	10.5	01Apr2015, 14:47	0.89
R_PC_580	0.172	10.5	01Apr2015, 15:16	0.89
PC_580	0.124	12.7	01Apr2015, 13:19	0.92
J_PC_580	0.296	20.7	01Apr2015, 14:34	0.9
R_PC_570	0.296	20.2	01Apr2015, 15:31	0.89
J_PC_570	0.712	40.8	01Apr2015, 15:21	0.78
R_PC_560	0.712	40.8	01Apr2015, 15:27	0.78
PC_560	0.163	13.5	01Apr2015, 13:22	0.78
J_PC_560	0.875	51.1	01Apr2015, 15:13	0.78
R_PC_550	0.875	39	01Apr2015, 15:30	0.69
PC_550	0.535	21.1	01Apr2015, 18:00	0.96
J_PC_550	1.41	57.4	01Apr2015, 16:23	0.79
R_PC_540	1.41	45.2	01Apr2015, 16:57	0.73
PC_530	0.064	8.8	01Apr2015, 13:48	1.5
PC_531	0.027	7.5	01Apr2015, 12:39	1.36
J_PC_531	0.027	7.5	01Apr2015, 12:39	1.36
R_PC_530	0.027	7.5	01Apr2015, 12:46	1.36
PC_540	0.015	3.2	01Apr2015, 13:23	1.85
J_PC_530	1.516	54.6	01Apr2015, 16:20	0.78
R_PC_520	1.516	54.6	01Apr2015, 16:27	0.78
PC_520	0.029	7.6	01Apr2015, 12:52	1.6
J_PC_520	1.545	57	01Apr2015, 16:16	0.8
R_PC_510	1.545	57	01Apr2015, 16:17	0.8
PC_510	0.184	23.4	01Apr2015, 13:25	1.18
J_PC_510	1.729	73	01Apr2015, 15:25	0.84
R_PC_500	1.729	72.5	01Apr2015, 15:59	0.84
PC_500	0.216	21.3	01Apr2015, 13:42	1.06
J_PC_L1	1.945	89.6	01Apr2015, 15:29	0.86
PC_600	0.004	1.2	01Apr2015, 12:45	1.7
J_PC_500	9.223	531.6	01Apr2015, 18:38	1.24
R_PC_400	9.223	516.8	01Apr2015, 19:51	1.24
PC_400	0.28	42.6	01Apr2015, 12:39	0.79
J_PC_400	9.503	521.8	01Apr2015, 19:49	1.23

R_PC_300	9.503	521.8	01Apr2015, 19:53	1.23
PC_240	0.206	6.1	01Apr2015, 16:46	0.57
PC_250	0.117	3.1	01Apr2015, 16:30	0.47
J_PC_250	0.117	3.1	01Apr2015, 16:30	0.47
R_PC_240	0.117	3.1	01Apr2015, 16:47	0.47
J_PC_240	0.323	9.2	01Apr2015, 16:46	0.53
R_PC_230	0.323	9.1	01Apr2015, 17:32	0.53
PC_230	0.126	7.2	01Apr2015, 15:07	0.88
J_PC_230	0.449	15.6	01Apr2015, 16:41	0.63
R_PC_220	0.449	14.8	01Apr2015, 17:29	0.62
PC_220	0.273	5.7	01Apr2015, 17:54	0.46
J_PC_220	0.722	20.5	01Apr2015, 17:35	0.56
R_PC_210	0.722	16.6	01Apr2015, 18:31	0.51
PC_210	0.135	6.4	01Apr2015, 14:34	0.63
J_PC_210	0.857	21.2	01Apr2015, 17:39	0.53
R_PC_200	0.857	21.2	01Apr2015, 17:51	0.53
PC_200	0.099	6.2	01Apr2015, 13:34	0.66
PC_300	0.025	2.4	01Apr2015, 13:47	1.07
J_PC_200	10.484	544.8	01Apr2015, 19:48	1.16
R_PC_100	10.484	500.1	01Apr2015, 22:11	1.16
PC_100	0.129	9.4	01Apr2015, 13:49	0.83
OUT_PC_100	10.613	502.8	01Apr2015, 22:10	1.15

Project: ParkersCreek

Simulation Run: 10YR-EX(Sny)

Start of Run: 01Apr2015, 00:00

Basin Model: Parkers Creek-EX(Snyder)

End of Run: 03Apr2015, 00:00

Meteorilgic Model: 10-YR

Compute Time: 16Dec2015, 12:40:34

Control Specifications: Control 1

Hydrologic Element	Drainage Area (MI2)	Peak Discharge (CFS)	Time of Peak	Volume (IN)
PC_2800	0.293	65.1	01Apr2015, 14:53	3.45
PC_2910	0.097	30.2	01Apr2015, 13:56	3.56
J_PC_2910	0.097	30.2	01Apr2015, 13:56	3.56
R_PC_2900	0.097	30.2	01Apr2015, 14:00	3.56
PC_3100	0.091	34.6	01Apr2015, 13:29	3.55
J_PC_3100	0.091	34.6	01Apr2015, 13:29	3.55
R_PC_3000	0.091	31.2	01Apr2015, 13:30	3.44
PC_3000	0.042	12.9	01Apr2015, 13:58	3.56
PC_2900	0.015	6.1	01Apr2015, 13:22	3.57
J_PC_2900	0.245	79	01Apr2015, 13:51	3.52
R_PC_2800	0.245	57.5	01Apr2015, 13:57	3.12
J_PC_2800	0.538	119.9	01Apr2015, 14:40	3.3
R_PC_2700	0.538	96.7	01Apr2015, 14:53	3.19
PC_2700	0.302	62.9	01Apr2015, 14:44	3.1
PC_2620	0.131	38.7	01Apr2015, 13:37	2.94
J_PC_2620	0.131	38.7	01Apr2015, 13:37	2.94
R_PC_2610	0.131	15.4	01Apr2015, 14:22	1.85
PC_2610	0.107	21.8	01Apr2015, 14:20	2.69
J_PC_2700	1.078	196.3	01Apr2015, 14:45	2.95
R_PC_2600	1.078	189	01Apr2015, 14:48	2.95
PC_2520	0.299	50.8	01Apr2015, 16:05	3.42
PC_2521	0.271	21	01Apr2015, 23:08	2.72
J_PC_2521	0.271	21	01Apr2015, 23:08	2.72
R_PC_2520	0.271	20.9	02Apr2015, 00:01	2.68
PC_2530	0.25	41.3	01Apr2015, 16:14	3.41
PC_2540	0.131	17.3	01Apr2015, 17:43	3.34
J_PC_2540	0.131	17.3	01Apr2015, 17:43	3.34
R_PC_2530	0.131	17.2	01Apr2015, 18:39	3.31
J_PC_2520	0.951	114	01Apr2015, 17:38	3.19
R_PC_2510	0.951	113.9	01Apr2015, 17:47	3.18
PC_2510	0.103	40.1	01Apr2015, 12:57	2.58
J_PC_2510	1.054	124.9	01Apr2015, 16:48	3.13
R_PC_2500	1.054	124.9	01Apr2015, 16:51	3.12
PC_2600	0.012	5.8	01Apr2015, 12:58	3.25
PC_2500	0.011	5.2	01Apr2015, 12:39	2.3
J_PC_2500	2.155	307.1	01Apr2015, 15:52	3.03
R_PC_2400	2.155	286.6	01Apr2015, 16:21	3.03
PC_2300	0.325	120.7	01Apr2015, 13:17	3.11

PC_2400	0.081	18.7	01Apr2015, 13:30	2.19
PC_2310	0.056	14.6	01Apr2015, 13:51	2.89
J_PC_2310	0.056	14.6	01Apr2015, 13:51	2.89
J_PC_2300	2.617	381.8	01Apr2015, 15:34	3.01
R_PC_2200	2.617	360.9	01Apr2015, 16:58	3.01
R_PC_2300	0.056	12.4	01Apr2015, 16:21	2.81
PC_2200	0.084	42.8	01Apr2015, 12:50	3.03
J_PC_2200	2.701	371.5	01Apr2015, 16:47	3.01
R_PC_2100	2.701	371.2	01Apr2015, 16:58	3.01
PC_2410	0.14	46.5	01Apr2015, 13:29	3.08
J_PC_2410	0.14	46.5	01Apr2015, 13:29	3.08
R_PC_2010	0.14	45.9	01Apr2015, 13:55	3.08
PC_2010	0.125	50.7	01Apr2015, 13:08	3.06
J_PC_2010	0.265	91.2	01Apr2015, 13:41	3.07
R_PC_2000	0.265	76.2	01Apr2015, 13:42	2.8
PC_2100	0.234	42.6	01Apr2015, 15:35	3.32
PC_2000	0.068	12.6	01Apr2015, 14:45	2.77
J_PC_2000	3.268	468.5	01Apr2015, 16:21	3.01
R_PC_1900	3.268	468.3	01Apr2015, 16:28	3.01
PC_1820	0.061	25.3	01Apr2015, 13:26	3.76
PC_1830	0.013	7.5	01Apr2015, 12:46	3.17
J_PC_1830	0.013	7.5	01Apr2015, 12:46	3.17
R_PC_1820	0.013	7.5	01Apr2015, 12:52	3.17
J_PC_1820	0.074	31.7	01Apr2015, 13:20	3.66
R_PC_1810	0.074	31.7	01Apr2015, 13:25	3.66
PC_1810	0.053	30.3	01Apr2015, 12:57	3.76
J_PC_1810	0.127	59.9	01Apr2015, 13:14	3.7
R_PC_1800	0.127	59.8	01Apr2015, 13:15	3.7
PC_1800	0.077	35.9	01Apr2015, 13:08	3.55
PC_1900	0.026	32.5	01Apr2015, 12:19	3.81
J_PC_1800	3.498	516.8	01Apr2015, 15:50	3.05
R_PC_1700	3.498	495.6	01Apr2015, 17:21	3.05
PC_1620	0.106	28.7	01Apr2015, 14:41	3.99
J_PC_1620	0.106	28.7	01Apr2015, 14:41	3.99
R_PC_1610	0.106	28.6	01Apr2015, 14:52	3.99
PC_1610	0.08	50.1	01Apr2015, 12:54	3.99
J_PC_1610	0.186	61.2	01Apr2015, 13:10	3.99
R_PC_1600	0.186	61.2	01Apr2015, 13:16	3.99
PC_1700	0.186	52.3	01Apr2015, 13:44	2.96
PC_1600	0.034	17	01Apr2015, 13:05	3.65
J_PC_1600	3.904	571.3	01Apr2015, 16:39	3.1
R_PC_1500	3.904	563.6	01Apr2015, 17:32	3.09
PC_1500	0.129	53	01Apr2015, 13:21	3.58
J_PC_1500	4.033	586	01Apr2015, 17:16	3.11
R_PC_1400	4.033	576.3	01Apr2015, 18:16	3.1
PC_571	0.27	19.2	01Apr2015, 19:15	2.01
J_PC_571	0.27	19.2	01Apr2015, 19:15	2.01

R_PC_1360	0.27	18.5	01Apr2015, 19:32	1.99
PC_1360	0.083	15.3	01Apr2015, 13:30	1.79
J_PC_1360	0.353	24.9	01Apr2015, 17:56	1.94
R_PC_1350	0.353	24.9	01Apr2015, 18:19	1.93
PC_1370	0.092	14.9	01Apr2015, 14:43	2.4
J_PC_1370	0.092	14.9	01Apr2015, 14:43	2.4
R_PC_1327	0.092	14.9	01Apr2015, 14:48	2.4
PC_1327	0.047	28.7	01Apr2015, 12:36	2.77
J_PC_1327	0.139	31.3	01Apr2015, 12:41	2.52
R_PC_1325	0.139	23.5	01Apr2015, 14:14	2.47
PC_1326	0.106	26.5	01Apr2015, 13:42	2.6
J_PC_1326	0.106	26.5	01Apr2015, 13:42	2.6
R_PC_1324	0.106	26.5	01Apr2015, 13:50	2.6
PC_1325	0.048	9	01Apr2015, 13:33	1.85
PC_1324	0.032	10.8	01Apr2015, 13:09	2.58
J_PC_1324	0.325	68.2	01Apr2015, 13:44	2.43
R_PC_1323	0.325	68.2	01Apr2015, 13:45	2.43
PC_1350	0.098	32.6	01Apr2015, 13:02	2.34
PC_1323	0.027	9.2	01Apr2015, 13:05	2.49
J_PC_1323	0.803	120.5	01Apr2015, 13:42	2.2
R_PC_1321	0.803	110.1	01Apr2015, 13:44	2.15
PC_1321	0.074	23.5	01Apr2015, 13:22	2.79
J_PC_1321	0.877	132.9	01Apr2015, 13:40	2.2
R_PC_1320	0.877	132.9	01Apr2015, 13:41	2.2
PC_1330	0.137	51.4	01Apr2015, 13:12	2.97
PC_1340	0.102	17.4	01Apr2015, 14:57	2.68
J_PC_1340	0.102	17.4	01Apr2015, 14:57	2.68
R_PC_1330	0.102	13.6	01Apr2015, 18:20	2.68
PC_1320	0.035	26.1	01Apr2015, 12:39	3.65
J_PC_1320	1.151	201.8	01Apr2015, 13:28	2.38
R_PC_1310	1.151	187.7	01Apr2015, 14:15	2.38
PC_1310	0.278	81.3	01Apr2015, 13:55	3.31
J_PC_1310	1.429	267.9	01Apr2015, 14:09	2.56
R_PC_1300	1.429	261.8	01Apr2015, 14:38	2.56
PC_1300	0.135	47.2	01Apr2015, 13:35	3.43
J_PC_L2	1.564	303.5	01Apr2015, 14:33	2.63
PC_1400	0.165	36.1	01Apr2015, 14:18	2.86
J_PC_1300	5.762	820.6	01Apr2015, 16:13	2.97
R_PC_1200	5.762	819.3	01Apr2015, 16:37	2.97
PC_1200	0.111	25.2	01Apr2015, 13:25	2.08
J_PC_1200	5.873	834	01Apr2015, 16:28	2.95
R_PC_1100	5.873	830.7	01Apr2015, 17:03	2.94
PC_1100	0.182	29.6	01Apr2015, 15:06	2.65
PC_1000	0.168	42.9	01Apr2015, 13:25	2.33
J_PC_1000	6.223	880.4	01Apr2015, 16:49	2.92
R_PC_900	6.223	866.6	01Apr2015, 17:57	2.91
PC_900	0.463	117.2	01Apr2015, 13:14	2.09

PC_810	0.208	73.7	01Apr2015, 13:30	3.34
PC_820	0.066	21.3	01Apr2015, 13:23	2.85
J_PC_820	0.066	21.3	01Apr2015, 13:23	2.85
R_PC_810	0.066	18.8	01Apr2015, 14:02	2.82
J_PC_810	0.274	91.6	01Apr2015, 13:36	3.22
R_PC_800	0.274	91.3	01Apr2015, 13:50	3.22
PC_800	0.16	94.5	01Apr2015, 12:42	3.07
J_PC_800	7.12	970.3	01Apr2015, 17:21	2.88
R_PC_700	7.12	963	01Apr2015, 17:56	2.87
PC_700	0.154	105.1	01Apr2015, 12:27	2.5
J_PC_700	7.274	971.7	01Apr2015, 17:53	2.87
R_PC_600	7.274	971.4	01Apr2015, 17:59	2.87
PC_570	0.416	64	01Apr2015, 14:06	1.9
PC_590	0.172	28.9	01Apr2015, 14:18	2.21
J_PC_590	0.172	28.9	01Apr2015, 14:18	2.21
R_PC_580	0.172	28.7	01Apr2015, 14:45	2.2
PC_580	0.124	35.3	01Apr2015, 13:11	2.26
J_PC_580	0.296	56.5	01Apr2015, 14:15	2.23
R_PC_570	0.296	54.9	01Apr2015, 14:58	2.21
J_PC_570	0.712	116.8	01Apr2015, 14:44	2.03
R_PC_560	0.712	116.7	01Apr2015, 14:49	2.03
PC_560	0.163	41	01Apr2015, 13:12	2.03
J_PC_560	0.875	147.9	01Apr2015, 14:32	2.03
R_PC_550	0.875	112.2	01Apr2015, 14:59	1.9
PC_550	0.535	53	01Apr2015, 17:17	2.31
J_PC_550	1.41	156	01Apr2015, 16:01	2.06
R_PC_540	1.41	128.4	01Apr2015, 16:37	2.03
PC_530	0.064	19.4	01Apr2015, 13:42	3.13
PC_531	0.027	17.1	01Apr2015, 12:37	2.93
J_PC_531	0.027	17.1	01Apr2015, 12:37	2.93
R_PC_530	0.027	17.1	01Apr2015, 12:42	2.93
PC_540	0.015	6.4	01Apr2015, 13:19	3.62
J_PC_530	1.516	147.9	01Apr2015, 16:13	2.11
R_PC_520	1.516	147.8	01Apr2015, 16:21	2.11
PC_520	0.029	16.1	01Apr2015, 12:49	3.27
J_PC_520	1.545	152.6	01Apr2015, 16:11	2.13
R_PC_510	1.545	152.6	01Apr2015, 16:12	2.13
PC_510	0.184	57.5	01Apr2015, 13:19	2.67
J_PC_510	1.729	189.1	01Apr2015, 15:12	2.19
R_PC_500	1.729	187.8	01Apr2015, 15:46	2.19
PC_500	0.216	55.1	01Apr2015, 13:33	2.48
J_PC_L1	1.945	230	01Apr2015, 15:10	2.22
PC_600	0.004	2.6	01Apr2015, 12:43	3.41
J_PC_500	9.223	1168.9	01Apr2015, 17:42	2.73
R_PC_400	9.223	1123	01Apr2015, 19:05	2.72
PC_400	0.28	129.8	01Apr2015, 12:35	2.04
J_PC_400	9.503	1134.6	01Apr2015, 19:03	2.7

R_PC_300	9.503	1134.5	01Apr2015, 19:06	2.7
PC_240	0.206	19.4	01Apr2015, 15:43	1.66
PC_250	0.117	10.7	01Apr2015, 15:17	1.47
J_PC_250	0.117	10.7	01Apr2015, 15:17	1.47
R_PC_240	0.117	10.7	01Apr2015, 15:30	1.47
J_PC_240	0.323	30.1	01Apr2015, 15:38	1.59
R_PC_230	0.323	29.9	01Apr2015, 16:18	1.59
PC_230	0.126	19.6	01Apr2015, 14:32	2.19
J_PC_230	0.449	48	01Apr2015, 15:51	1.76
R_PC_220	0.449	40.3	01Apr2015, 16:50	1.69
PC_220	0.273	19.4	01Apr2015, 16:42	1.45
J_PC_220	0.722	59.8	01Apr2015, 16:47	1.6
R_PC_210	0.722	37.8	01Apr2015, 17:55	1.14
PC_210	0.135	20.7	01Apr2015, 13:54	1.77
J_PC_210	0.857	52	01Apr2015, 16:36	1.24
R_PC_200	0.857	52	01Apr2015, 16:45	1.24
PC_200	0.099	20.8	01Apr2015, 13:18	1.81
PC_300	0.025	6.2	01Apr2015, 13:38	2.5
J_PC_200	10.484	1190.8	01Apr2015, 19:01	2.58
R_PC_100	10.484	1100.1	01Apr2015, 21:18	2.56
PC_100	0.129	27.5	01Apr2015, 13:34	2.1
OUT_PC_100	10.613	1107	01Apr2015, 21:16	2.55

Project: ParkersCreek

Simulation Run: 25YR-EX(Sny)

Start of Run: 01Apr2015, 00:00

Basin Model: Parkers Creek-EX(Snyder)

End of Run: 03Apr2015, 00:00

Meteorilgic Model: 25-YR

Compute Time: 16Dec2015, 12:40:34

Control Specifications: Control 1

Hydrologic Element	Drainage Area (MI2)	Peak Discharge (CFS)	Time of Peak	Volume (IN)
PC_2800	0.293	90.2	01Apr2015, 14:50	4.73
PC_2910	0.097	41.6	01Apr2015, 13:54	4.85
J_PC_2910	0.097	41.6	01Apr2015, 13:54	4.85
R_PC_2900	0.097	41.6	01Apr2015, 13:58	4.85
PC_3100	0.091	47.6	01Apr2015, 13:28	4.84
J_PC_3100	0.091	47.6	01Apr2015, 13:28	4.84
R_PC_3000	0.091	43	01Apr2015, 13:29	4.72
PC_3000	0.042	17.7	01Apr2015, 13:56	4.85
PC_2900	0.015	8.4	01Apr2015, 13:21	4.86
J_PC_2900	0.245	108.7	01Apr2015, 13:49	4.8
R_PC_2800	0.245	80.1	01Apr2015, 13:56	4.41
J_PC_2800	0.538	166.4	01Apr2015, 14:38	4.58
R_PC_2700	0.538	135.5	01Apr2015, 14:49	4.51
PC_2700	0.302	89.2	01Apr2015, 14:41	4.33
PC_2620	0.131	55.5	01Apr2015, 13:35	4.15
J_PC_2620	0.131	55.5	01Apr2015, 13:35	4.15
R_PC_2610	0.131	31.9	01Apr2015, 13:50	3.45
PC_2610	0.107	31.8	01Apr2015, 14:17	3.85
J_PC_2700	1.078	286.5	01Apr2015, 14:40	4.27
R_PC_2600	1.078	276.6	01Apr2015, 14:42	4.26
PC_2520	0.299	70.3	01Apr2015, 16:01	4.69
PC_2521	0.271	28.7	01Apr2015, 22:58	3.72
J_PC_2521	0.271	28.7	01Apr2015, 22:58	3.72
R_PC_2520	0.271	28.6	01Apr2015, 23:49	3.66
PC_2530	0.25	57.2	01Apr2015, 16:10	4.68
PC_2540	0.131	23.8	01Apr2015, 17:37	4.57
J_PC_2540	0.131	23.8	01Apr2015, 17:37	4.57
R_PC_2530	0.131	23.7	01Apr2015, 18:30	4.54
J_PC_2520	0.951	157.4	01Apr2015, 17:27	4.37
R_PC_2510	0.951	157.3	01Apr2015, 17:40	4.36
PC_2510	0.103	59.3	01Apr2015, 12:56	3.72
J_PC_2510	1.054	173.4	01Apr2015, 16:30	4.3
R_PC_2500	1.054	173.4	01Apr2015, 16:39	4.3
PC_2600	0.012	8.2	01Apr2015, 12:57	4.5
PC_2500	0.011	7.9	01Apr2015, 12:38	3.39
J_PC_2500	2.155	437.5	01Apr2015, 15:43	4.27
R_PC_2400	2.155	409.9	01Apr2015, 16:09	4.27
PC_2300	0.325	170.8	01Apr2015, 13:16	4.34

PC_2400	0.081	28.7	01Apr2015, 13:27	3.25
PC_2310	0.056	21	01Apr2015, 13:48	4.08
J_PC_2310	0.056	21	01Apr2015, 13:48	4.08
J_PC_2300	2.617	548.9	01Apr2015, 15:12	4.24
R_PC_2200	2.617	511.9	01Apr2015, 16:54	4.24
R_PC_2300	0.056	17.7	01Apr2015, 16:06	3.99
PC_2200	0.084	60.8	01Apr2015, 12:49	4.24
J_PC_2200	2.701	526.5	01Apr2015, 16:40	4.24
R_PC_2100	2.701	525	01Apr2015, 17:04	4.24
PC_2410	0.14	66	01Apr2015, 13:27	4.31
J_PC_2410	0.14	66	01Apr2015, 13:27	4.31
R_PC_2010	0.14	63.3	01Apr2015, 14:22	4.3
PC_2010	0.125	72	01Apr2015, 13:07	4.29
J_PC_2010	0.265	121.8	01Apr2015, 13:48	4.29
R_PC_2000	0.265	103.6	01Apr2015, 13:55	4.03
PC_2100	0.234	59.4	01Apr2015, 15:31	4.58
PC_2000	0.068	18.3	01Apr2015, 14:41	3.95
J_PC_2000	3.268	660.6	01Apr2015, 16:16	4.24
R_PC_1900	3.268	660.2	01Apr2015, 16:27	4.24
PC_1820	0.061	34.3	01Apr2015, 13:25	5.08
PC_1830	0.013	10.5	01Apr2015, 12:45	4.41
J_PC_1830	0.013	10.5	01Apr2015, 12:45	4.41
R_PC_1820	0.013	10.5	01Apr2015, 12:50	4.41
J_PC_1820	0.074	43.2	01Apr2015, 13:19	4.96
R_PC_1810	0.074	43.2	01Apr2015, 13:24	4.96
PC_1810	0.053	41	01Apr2015, 12:56	5.08
J_PC_1810	0.127	81.4	01Apr2015, 13:12	5.01
R_PC_1800	0.127	81.4	01Apr2015, 13:13	5.01
PC_1800	0.077	49.2	01Apr2015, 13:07	4.84
PC_1900	0.026	43.6	01Apr2015, 12:19	5.13
J_PC_1800	3.498	727.6	01Apr2015, 15:41	4.29
R_PC_1700	3.498	691.7	01Apr2015, 17:31	4.29
PC_1620	0.106	38.5	01Apr2015, 14:39	5.32
J_PC_1620	0.106	38.5	01Apr2015, 14:39	5.32
R_PC_1610	0.106	38.4	01Apr2015, 14:50	5.32
PC_1610	0.08	66.9	01Apr2015, 12:53	5.32
J_PC_1610	0.186	82.5	01Apr2015, 13:08	5.32
R_PC_1600	0.186	82.5	01Apr2015, 13:13	5.32
PC_1700	0.186	74.9	01Apr2015, 13:42	4.17
PC_1600	0.034	23.2	01Apr2015, 13:04	4.95
J_PC_1600	3.904	790.3	01Apr2015, 16:49	4.33
R_PC_1500	3.904	779	01Apr2015, 17:45	4.33
PC_1500	0.129	72.7	01Apr2015, 13:20	4.87
J_PC_1500	4.033	807.1	01Apr2015, 17:31	4.35
R_PC_1400	4.033	791.3	01Apr2015, 18:36	4.34
PC_571	0.27	29	01Apr2015, 18:56	3
J_PC_571	0.27	29	01Apr2015, 18:56	3

R_PC_1360	0.27	27.9	01Apr2015, 19:15	2.97
PC_1360	0.083	24.9	01Apr2015, 13:26	2.76
J_PC_1360	0.353	37.7	01Apr2015, 17:49	2.92
R_PC_1350	0.353	37.6	01Apr2015, 18:09	2.9
PC_1370	0.092	22.4	01Apr2015, 14:37	3.5
J_PC_1370	0.092	22.4	01Apr2015, 14:37	3.5
R_PC_1327	0.092	22.4	01Apr2015, 14:42	3.5
PC_1327	0.047	41.5	01Apr2015, 12:35	3.95
J_PC_1327	0.139	46.2	01Apr2015, 12:40	3.65
R_PC_1325	0.139	34.9	01Apr2015, 14:05	3.59
PC_1326	0.106	39.1	01Apr2015, 13:39	3.75
J_PC_1326	0.106	39.1	01Apr2015, 13:39	3.75
R_PC_1324	0.106	39.1	01Apr2015, 13:46	3.75
PC_1325	0.048	14.4	01Apr2015, 13:29	2.83
PC_1324	0.032	16	01Apr2015, 13:07	3.72
J_PC_1324	0.325	102.4	01Apr2015, 13:39	3.54
R_PC_1323	0.325	102.4	01Apr2015, 13:40	3.54
PC_1350	0.098	49.4	01Apr2015, 13:00	3.44
PC_1323	0.027	13.7	01Apr2015, 13:03	3.62
J_PC_1323	0.803	183.5	01Apr2015, 13:37	3.25
R_PC_1321	0.803	168.6	01Apr2015, 13:39	3.2
PC_1321	0.074	34.1	01Apr2015, 13:20	3.97
J_PC_1321	0.877	202	01Apr2015, 13:35	3.27
R_PC_1320	0.877	202	01Apr2015, 13:36	3.27
PC_1330	0.137	73.5	01Apr2015, 13:11	4.18
PC_1340	0.102	25.4	01Apr2015, 14:52	3.84
J_PC_1340	0.102	25.4	01Apr2015, 14:52	3.84
R_PC_1330	0.102	19.6	01Apr2015, 18:11	3.84
PC_1320	0.035	35.4	01Apr2015, 12:38	4.95
J_PC_1320	1.151	300.6	01Apr2015, 13:24	3.48
R_PC_1310	1.151	274.6	01Apr2015, 14:16	3.47
PC_1310	0.278	113.6	01Apr2015, 13:53	4.57
J_PC_1310	1.429	386.3	01Apr2015, 14:08	3.69
R_PC_1300	1.429	379.7	01Apr2015, 14:33	3.69
PC_1300	0.135	65.4	01Apr2015, 13:33	4.71
J_PC_L2	1.564	437.7	01Apr2015, 14:28	3.77
PC_1400	0.165	52.1	01Apr2015, 14:15	4.05
J_PC_1300	5.762	1113.8	01Apr2015, 16:57	4.18
R_PC_1200	5.762	1113.1	01Apr2015, 17:09	4.18
PC_1200	0.111	39.2	01Apr2015, 13:22	3.12
J_PC_1200	5.873	1131.9	01Apr2015, 17:01	4.16
R_PC_1100	5.873	1126.4	01Apr2015, 17:35	4.15
PC_1100	0.182	43.4	01Apr2015, 15:00	3.81
PC_1000	0.168	65.1	01Apr2015, 13:23	3.42
J_PC_1000	6.223	1192.3	01Apr2015, 17:18	4.12
R_PC_900	6.223	1178.5	01Apr2015, 18:12	4.11
PC_900	0.463	182.8	01Apr2015, 13:12	3.13

PC_810	0.208	102.7	01Apr2015, 13:29	4.61
PC_820	0.066	30.8	01Apr2015, 13:21	4.04
J_PC_820	0.066	30.8	01Apr2015, 13:21	4.04
R_PC_810	0.066	25.6	01Apr2015, 14:06	3.96
J_PC_810	0.274	127.2	01Apr2015, 13:32	4.45
R_PC_800	0.274	126.7	01Apr2015, 13:48	4.45
PC_800	0.16	133.6	01Apr2015, 12:42	4.3
J_PC_800	7.12	1316.7	01Apr2015, 17:20	4.07
R_PC_700	7.12	1308.5	01Apr2015, 18:00	4.06
PC_700	0.154	155.3	01Apr2015, 12:26	3.63
J_PC_700	7.274	1320	01Apr2015, 17:56	4.05
R_PC_600	7.274	1319.7	01Apr2015, 18:03	4.05
PC_570	0.416	101.7	01Apr2015, 14:00	2.9
PC_590	0.172	44.3	01Apr2015, 14:13	3.27
J_PC_590	0.172	44.3	01Apr2015, 14:13	3.27
R_PC_580	0.172	43.7	01Apr2015, 14:49	3.27
PC_580	0.124	54	01Apr2015, 13:09	3.33
J_PC_580	0.296	85.6	01Apr2015, 14:03	3.29
R_PC_570	0.296	83.2	01Apr2015, 14:48	3.28
J_PC_570	0.712	181.5	01Apr2015, 14:30	3.06
R_PC_560	0.712	181.1	01Apr2015, 14:41	3.06
PC_560	0.163	64.3	01Apr2015, 13:09	3.05
J_PC_560	0.875	229.9	01Apr2015, 14:24	3.06
R_PC_550	0.875	183.9	01Apr2015, 14:43	3.03
PC_550	0.535	79	01Apr2015, 17:03	3.38
J_PC_550	1.41	245	01Apr2015, 15:41	3.17
R_PC_540	1.41	206.5	01Apr2015, 16:14	3.18
PC_530	0.064	27.4	01Apr2015, 13:40	4.36
PC_531	0.027	24.5	01Apr2015, 12:36	4.13
J_PC_531	0.027	24.5	01Apr2015, 12:36	4.13
R_PC_530	0.027	24.4	01Apr2015, 12:41	4.13
PC_540	0.015	8.7	01Apr2015, 13:18	4.92
J_PC_530	1.516	235.4	01Apr2015, 15:50	3.26
R_PC_520	1.516	235.3	01Apr2015, 15:58	3.26
PC_520	0.029	22.5	01Apr2015, 12:49	4.53
J_PC_520	1.545	242.6	01Apr2015, 15:47	3.28
R_PC_510	1.545	242.6	01Apr2015, 15:49	3.28
PC_510	0.184	84.4	01Apr2015, 13:17	3.83
J_PC_510	1.729	298.9	01Apr2015, 14:54	3.34
R_PC_500	1.729	296.6	01Apr2015, 15:26	3.34
PC_500	0.216	82.3	01Apr2015, 13:30	3.6
J_PC_L1	1.945	361	01Apr2015, 14:56	3.37
PC_600	0.004	3.6	01Apr2015, 12:42	4.68
J_PC_500	9.223	1619.8	01Apr2015, 17:30	3.91
R_PC_400	9.223	1572.6	01Apr2015, 18:52	3.9
PC_400	0.28	202.5	01Apr2015, 12:33	3.07
J_PC_400	9.503	1589.2	01Apr2015, 18:49	3.88

R_PC_300	9.503	1589.1	01Apr2015, 18:53	3.88
PC_240	0.206	31.4	01Apr2015, 15:24	2.6
PC_250	0.117	17.9	01Apr2015, 14:56	2.35
J_PC_250	0.117	17.9	01Apr2015, 14:56	2.35
R_PC_240	0.117	17.9	01Apr2015, 15:08	2.35
J_PC_240	0.323	49.2	01Apr2015, 15:18	2.51
R_PC_230	0.323	47.9	01Apr2015, 16:50	2.49
PC_230	0.126	30	01Apr2015, 14:26	3.25
J_PC_230	0.449	73.6	01Apr2015, 16:15	2.71
R_PC_220	0.449	63.7	01Apr2015, 17:02	2.64
PC_220	0.273	32.2	01Apr2015, 16:18	2.32
J_PC_220	0.722	95.6	01Apr2015, 16:51	2.52
R_PC_210	0.722	64.4	01Apr2015, 17:54	1.92
PC_210	0.135	33.5	01Apr2015, 13:49	2.74
J_PC_210	0.857	85.7	01Apr2015, 16:43	2.05
R_PC_200	0.857	85.7	01Apr2015, 16:51	2.05
PC_200	0.099	33.6	01Apr2015, 13:14	2.79
PC_300	0.025	9.2	01Apr2015, 13:35	3.63
J_PC_200	10.484	1682.3	01Apr2015, 18:45	3.72
R_PC_100	10.484	1575.8	01Apr2015, 21:00	3.7
PC_100	0.129	42.8	01Apr2015, 13:31	3.15
OUT_PC_100	10.613	1586.1	01Apr2015, 20:57	3.69

Project: ParkersCreek

Simulation Run: 50YR-EX(Sny)

Start of Run: 01Apr2015, 00:00

Basin Model: Parkers Creek-EX(Snyder)

End of Run: 03Apr2015, 00:00

Meteorillogic Model: 50-YR

Compute Time: 16Dec2015, 12:40:34

Control Specifications: Control 1

Hydrologic Element	Drainage Area (MI2)	Peak Discharge (CFS)	Time of Peak	Volume (IN)
PC_2800	0.293	112.6	01Apr2015, 14:49	5.87
PC_2910	0.097	51.7	01Apr2015, 13:53	6.01
J_PC_2910	0.097	51.7	01Apr2015, 13:53	6.01
R_PC_2900	0.097	51.7	01Apr2015, 13:57	6.01
PC_3100	0.091	59.1	01Apr2015, 13:27	5.99
J_PC_3100	0.091	59.1	01Apr2015, 13:27	5.99
R_PC_3000	0.091	53.6	01Apr2015, 13:28	5.87
PC_3000	0.042	22	01Apr2015, 13:55	6.01
PC_2900	0.015	10.4	01Apr2015, 13:20	6.02
J_PC_2900	0.245	135.2	01Apr2015, 13:48	5.96
R_PC_2800	0.245	100.5	01Apr2015, 13:55	5.64
J_PC_2800	0.538	208.4	01Apr2015, 14:38	5.77
R_PC_2700	0.538	171.1	01Apr2015, 14:47	5.71
PC_2700	0.302	113	01Apr2015, 14:39	5.44
PC_2620	0.131	70.8	01Apr2015, 13:34	5.24
J_PC_2620	0.131	70.8	01Apr2015, 13:34	5.24
R_PC_2610	0.131	43.7	01Apr2015, 13:47	4.68
PC_2610	0.107	41.1	01Apr2015, 14:15	4.92
J_PC_2700	1.078	365.9	01Apr2015, 14:38	5.43
R_PC_2600	1.078	354.3	01Apr2015, 14:40	5.44
PC_2520	0.299	87.8	01Apr2015, 15:59	5.82
PC_2521	0.271	35.6	01Apr2015, 22:54	4.61
J_PC_2521	0.271	35.6	01Apr2015, 22:54	4.61
R_PC_2520	0.271	35.4	01Apr2015, 23:42	4.55
PC_2530	0.25	71.4	01Apr2015, 16:08	5.81
PC_2540	0.131	29.7	01Apr2015, 17:34	5.68
J_PC_2540	0.131	29.7	01Apr2015, 17:34	5.68
R_PC_2530	0.131	29.5	01Apr2015, 18:24	5.64
J_PC_2520	0.951	196.4	01Apr2015, 17:20	5.43
R_PC_2510	0.951	196.3	01Apr2015, 17:42	5.42
PC_2510	0.103	76.8	01Apr2015, 12:55	4.78
J_PC_2510	1.054	216	01Apr2015, 16:41	5.36
R_PC_2500	1.054	215.9	01Apr2015, 16:51	5.36
PC_2600	0.012	10.3	01Apr2015, 12:56	5.62
PC_2500	0.011	10.3	01Apr2015, 12:37	4.4
J_PC_2500	2.155	550.1	01Apr2015, 15:27	5.39
R_PC_2400	2.155	524.7	01Apr2015, 16:11	5.41
PC_2300	0.325	216.1	01Apr2015, 13:15	5.46

PC_2400	0.081	38.2	01Apr2015, 13:25	4.24
PC_2310	0.056	26.9	01Apr2015, 13:47	5.17
J_PC_2310	0.056	26.9	01Apr2015, 13:47	5.17
J_PC_2300	2.617	705.1	01Apr2015, 15:00	5.37
R_PC_2200	2.617	643	01Apr2015, 17:04	5.37
R_PC_2300	0.056	22.7	01Apr2015, 15:56	5.07
PC_2200	0.084	77	01Apr2015, 12:49	5.35
J_PC_2200	2.701	659.9	01Apr2015, 16:52	5.37
R_PC_2100	2.701	657.7	01Apr2015, 17:16	5.37
PC_2410	0.14	83.6	01Apr2015, 13:26	5.42
J_PC_2410	0.14	83.6	01Apr2015, 13:26	5.42
R_PC_2010	0.14	79.4	01Apr2015, 14:28	5.4
PC_2010	0.125	91.2	01Apr2015, 13:06	5.4
J_PC_2010	0.265	149.9	01Apr2015, 14:00	5.4
R_PC_2000	0.265	129.2	01Apr2015, 14:04	5.15
PC_2100	0.234	74.6	01Apr2015, 15:28	5.71
PC_2000	0.068	23.6	01Apr2015, 14:38	5.03
J_PC_2000	3.268	824.6	01Apr2015, 16:25	5.37
R_PC_1900	3.268	823.7	01Apr2015, 16:38	5.37
PC_1820	0.061	42.3	01Apr2015, 13:24	6.25
PC_1830	0.013	13.2	01Apr2015, 12:44	5.53
J_PC_1830	0.013	13.2	01Apr2015, 12:44	5.53
R_PC_1820	0.013	13.2	01Apr2015, 12:50	5.53
J_PC_1820	0.074	53.4	01Apr2015, 13:19	6.12
R_PC_1810	0.074	53.4	01Apr2015, 13:23	6.12
PC_1810	0.053	50.4	01Apr2015, 12:55	6.25
J_PC_1810	0.127	100.5	01Apr2015, 13:11	6.17
R_PC_1800	0.127	100.5	01Apr2015, 13:12	6.17
PC_1800	0.077	61.1	01Apr2015, 13:07	5.99
PC_1900	0.026	53.3	01Apr2015, 12:18	6.31
J_PC_1800	3.498	897.5	01Apr2015, 16:03	5.42
R_PC_1700	3.498	865.3	01Apr2015, 17:31	5.41
PC_1620	0.106	47.2	01Apr2015, 14:38	6.51
J_PC_1620	0.106	47.2	01Apr2015, 14:38	6.51
R_PC_1610	0.106	47.1	01Apr2015, 14:47	6.51
PC_1610	0.08	81.6	01Apr2015, 12:53	6.51
J_PC_1610	0.186	101.4	01Apr2015, 13:07	6.51
R_PC_1600	0.186	101.3	01Apr2015, 13:12	6.51
PC_1700	0.186	95.5	01Apr2015, 13:40	5.26
PC_1600	0.034	28.6	01Apr2015, 13:03	6.11
J_PC_1600	3.904	984.8	01Apr2015, 16:57	5.46
R_PC_1500	3.904	976.2	01Apr2015, 17:35	5.46
PC_1500	0.129	90.2	01Apr2015, 13:20	6.03
J_PC_1500	4.033	1011.6	01Apr2015, 17:24	5.48
R_PC_1400	4.033	1000.9	01Apr2015, 18:07	5.47
PC_571	0.27	38.3	01Apr2015, 18:45	3.93
J_PC_571	0.27	38.3	01Apr2015, 18:45	3.93

R_PC_1360	0.27	36.8	01Apr2015, 19:03	3.9
PC_1360	0.083	34.1	01Apr2015, 13:24	3.68
J_PC_1360	0.353	49.8	01Apr2015, 17:43	3.84
R_PC_1350	0.353	49.7	01Apr2015, 18:02	3.83
PC_1370	0.092	29.3	01Apr2015, 14:34	4.53
J_PC_1370	0.092	29.3	01Apr2015, 14:34	4.53
R_PC_1327	0.092	29.3	01Apr2015, 14:39	4.53
PC_1327	0.047	53.1	01Apr2015, 12:35	5.03
J_PC_1327	0.139	59.9	01Apr2015, 12:40	4.69
R_PC_1325	0.139	45.7	01Apr2015, 12:44	4.58
PC_1326	0.106	50.8	01Apr2015, 13:37	4.8
J_PC_1326	0.106	50.8	01Apr2015, 13:37	4.8
R_PC_1324	0.106	50.7	01Apr2015, 13:44	4.8
PC_1325	0.048	19.6	01Apr2015, 13:27	3.76
PC_1324	0.032	20.7	01Apr2015, 13:06	4.78
J_PC_1324	0.325	132.9	01Apr2015, 13:37	4.55
R_PC_1323	0.325	132.9	01Apr2015, 13:37	4.55
PC_1350	0.098	65	01Apr2015, 12:59	4.46
PC_1323	0.027	17.9	01Apr2015, 13:02	4.66
J_PC_1323	0.803	241.7	01Apr2015, 13:34	4.22
R_PC_1321	0.803	223.1	01Apr2015, 13:35	4.18
PC_1321	0.074	43.8	01Apr2015, 13:19	5.05
J_PC_1321	0.877	266.1	01Apr2015, 13:32	4.25
R_PC_1320	0.877	266	01Apr2015, 13:34	4.25
PC_1330	0.137	93.6	01Apr2015, 13:10	5.28
PC_1340	0.102	32.8	01Apr2015, 14:50	4.91
J_PC_1340	0.102	32.8	01Apr2015, 14:50	4.91
R_PC_1330	0.102	25.2	01Apr2015, 18:05	4.9
PC_1320	0.035	43.6	01Apr2015, 12:38	6.11
J_PC_1320	1.151	391.4	01Apr2015, 13:23	4.49
R_PC_1310	1.151	355.8	01Apr2015, 14:15	4.48
PC_1310	0.278	142.6	01Apr2015, 13:51	5.71
J_PC_1310	1.429	495.9	01Apr2015, 14:07	4.72
R_PC_1300	1.429	487.6	01Apr2015, 14:31	4.72
PC_1300	0.135	81.7	01Apr2015, 13:33	5.85
J_PC_L2	1.564	559.9	01Apr2015, 14:26	4.81
PC_1400	0.165	66.7	01Apr2015, 14:13	5.13
J_PC_1300	5.762	1424.6	01Apr2015, 16:59	5.28
R_PC_1200	5.762	1422.7	01Apr2015, 17:13	5.28
PC_1200	0.111	52.6	01Apr2015, 13:20	4.09
J_PC_1200	5.873	1446.5	01Apr2015, 17:08	5.26
R_PC_1100	5.873	1434.7	01Apr2015, 17:43	5.25
PC_1100	0.182	56.1	01Apr2015, 14:58	4.87
PC_1000	0.168	85.8	01Apr2015, 13:21	4.43
J_PC_1000	6.223	1516.2	01Apr2015, 17:32	5.21
R_PC_900	6.223	1495.2	01Apr2015, 18:20	5.21
PC_900	0.463	244.7	01Apr2015, 13:10	4.1

PC_810	0.208	128.7	01Apr2015, 13:28	5.74
PC_820	0.066	39.4	01Apr2015, 13:20	5.12
J_PC_820	0.066	39.4	01Apr2015, 13:20	5.12
R_PC_810	0.066	31.9	01Apr2015, 14:10	5.01
J_PC_810	0.274	159	01Apr2015, 13:32	5.57
R_PC_800	0.274	158.3	01Apr2015, 13:47	5.57
PC_800	0.16	168.7	01Apr2015, 12:41	5.41
J_PC_800	7.12	1658.7	01Apr2015, 17:41	5.15
R_PC_700	7.12	1649	01Apr2015, 18:13	5.15
PC_700	0.154	201.3	01Apr2015, 12:26	4.67
J_PC_700	7.274	1662.3	01Apr2015, 18:10	5.14
R_PC_600	7.274	1661.9	01Apr2015, 18:17	5.14
PC_570	0.416	137.9	01Apr2015, 13:57	3.84
PC_590	0.172	58.7	01Apr2015, 14:10	4.27
J_PC_590	0.172	58.7	01Apr2015, 14:10	4.27
R_PC_580	0.172	57.1	01Apr2015, 15:06	4.26
PC_580	0.124	71.5	01Apr2015, 13:07	4.34
J_PC_580	0.296	108.2	01Apr2015, 14:08	4.29
R_PC_570	0.296	104.2	01Apr2015, 15:19	4.25
J_PC_570	0.712	234	01Apr2015, 14:24	4.01
R_PC_560	0.712	233.7	01Apr2015, 14:36	4.01
PC_560	0.163	86.5	01Apr2015, 13:08	4.02
J_PC_560	0.875	300.6	01Apr2015, 14:12	4.01
R_PC_550	0.875	242.7	01Apr2015, 14:34	4.01
PC_550	0.535	103.4	01Apr2015, 16:55	4.38
J_PC_550	1.41	326.6	01Apr2015, 15:51	4.15
R_PC_540	1.41	279.6	01Apr2015, 16:13	4.16
PC_530	0.064	34.7	01Apr2015, 13:38	5.48
PC_531	0.027	31.1	01Apr2015, 12:35	5.23
J_PC_531	0.027	31.1	01Apr2015, 12:35	5.23
R_PC_530	0.027	31	01Apr2015, 12:40	5.23
PC_540	0.015	10.8	01Apr2015, 13:18	6.08
J_PC_530	1.516	315.1	01Apr2015, 15:56	4.25
R_PC_520	1.516	315	01Apr2015, 16:02	4.25
PC_520	0.029	28.2	01Apr2015, 12:48	5.66
J_PC_520	1.545	323.6	01Apr2015, 15:54	4.28
R_PC_510	1.545	323.5	01Apr2015, 15:56	4.28
PC_510	0.184	109	01Apr2015, 13:16	4.89
J_PC_510	1.729	394.1	01Apr2015, 14:42	4.34
R_PC_500	1.729	391.3	01Apr2015, 15:24	4.34
PC_500	0.216	107.6	01Apr2015, 13:29	4.63
J_PC_L1	1.945	475.8	01Apr2015, 14:48	4.37
PC_600	0.004	4.5	01Apr2015, 12:42	5.83
J_PC_500	9.223	2045	01Apr2015, 17:38	4.98
R_PC_400	9.223	1994.8	01Apr2015, 18:53	4.97
PC_400	0.28	270.7	01Apr2015, 12:32	4.04
J_PC_400	9.503	2015.5	01Apr2015, 18:50	4.94

R_PC_300	9.503	2015.4	01Apr2015, 18:53	4.94
PC_240	0.206	43.1	01Apr2015, 15:14	3.49
PC_250	0.117	25.1	01Apr2015, 14:46	3.2
J_PC_250	0.117	25.1	01Apr2015, 14:46	3.2
R_PC_240	0.117	25	01Apr2015, 14:59	3.2
J_PC_240	0.323	68.1	01Apr2015, 15:08	3.39
R_PC_230	0.323	65.7	01Apr2015, 16:48	3.37
PC_230	0.126	39.9	01Apr2015, 14:23	4.24
J_PC_230	0.449	99.2	01Apr2015, 16:19	3.62
R_PC_220	0.449	87.7	01Apr2015, 17:01	3.59
PC_220	0.273	44.8	01Apr2015, 16:04	3.17
J_PC_220	0.722	131.8	01Apr2015, 16:48	3.43
R_PC_210	0.722	99.8	01Apr2015, 17:31	2.98
PC_210	0.135	46	01Apr2015, 13:46	3.65
J_PC_210	0.857	129.4	01Apr2015, 16:32	3.09
R_PC_200	0.857	129.4	01Apr2015, 16:40	3.09
PC_200	0.099	45.9	01Apr2015, 13:13	3.71
PC_300	0.025	12	01Apr2015, 13:34	4.67
J_PC_200	10.484	2151	01Apr2015, 18:43	4.78
R_PC_100	10.484	2026.4	01Apr2015, 20:48	4.75
PC_100	0.129	57.2	01Apr2015, 13:29	4.12
OUT_PC_100	10.613	2039.8	01Apr2015, 20:46	4.74

Project: ParkersCreek

Simulation Run: 100YR-EX(Sny)

Start of Run: 01Apr2015, 00:00

Basin Model: Parkers Creek-EX(Snyder)

End of Run: 03Apr2015, 00:00

Meteorilgic Model: 100-YR

Compute Time: 16Dec2015, 12:40:34

Control Specifications: Control 1

Hydrologic Element	Drainage Area (MI2)	Peak Discharge (CFS)	Time of Peak	Volume (IN)
PC_2800	0.293	137.8	01Apr2015, 14:47	7.16
PC_2910	0.097	63	01Apr2015, 13:52	7.3
J_PC_2910	0.097	63	01Apr2015, 13:52	7.3
R_PC_2900	0.097	63	01Apr2015, 13:56	7.3
PC_3100	0.091	72	01Apr2015, 13:26	7.29
J_PC_3100	0.091	72	01Apr2015, 13:26	7.29
R_PC_3000	0.091	65.5	01Apr2015, 13:28	7.2
PC_3000	0.042	26.8	01Apr2015, 13:55	7.3
PC_2900	0.015	12.7	01Apr2015, 13:20	7.32
J_PC_2900	0.245	164.9	01Apr2015, 13:47	7.27
R_PC_2800	0.245	123.3	01Apr2015, 13:54	7.01
J_PC_2800	0.538	255	01Apr2015, 14:36	7.09
R_PC_2700	0.538	210.7	01Apr2015, 14:45	7.03
PC_2700	0.302	139.8	01Apr2015, 14:37	6.7
PC_2620	0.131	88.1	01Apr2015, 13:33	6.48
J_PC_2620	0.131	88.1	01Apr2015, 13:33	6.48
R_PC_2610	0.131	56.3	01Apr2015, 13:47	6.07
PC_2610	0.107	51.7	01Apr2015, 14:13	6.13
J_PC_2700	1.078	454.9	01Apr2015, 14:36	6.73
R_PC_2600	1.078	441.3	01Apr2015, 14:38	6.74
PC_2520	0.299	107.5	01Apr2015, 15:57	7.11
PC_2521	0.271	43.4	01Apr2015, 22:50	5.62
J_PC_2521	0.271	43.4	01Apr2015, 22:50	5.62
R_PC_2520	0.271	43.2	01Apr2015, 23:36	5.54
PC_2530	0.25	87.4	01Apr2015, 16:05	7.09
PC_2540	0.131	36.3	01Apr2015, 17:31	6.92
J_PC_2540	0.131	36.3	01Apr2015, 17:31	6.92
R_PC_2530	0.131	36	01Apr2015, 18:20	6.87
J_PC_2520	0.951	240.4	01Apr2015, 17:14	6.62
R_PC_2510	0.951	240.2	01Apr2015, 17:37	6.61
PC_2510	0.103	96.8	01Apr2015, 12:54	5.98
J_PC_2510	1.054	264.8	01Apr2015, 16:39	6.55
R_PC_2500	1.054	264.6	01Apr2015, 16:49	6.55
PC_2600	0.012	12.6	01Apr2015, 12:56	6.9
PC_2500	0.011	13.2	01Apr2015, 12:37	5.56
J_PC_2500	2.155	675.5	01Apr2015, 15:39	6.64
R_PC_2400	2.155	648.6	01Apr2015, 16:08	6.67
PC_2300	0.325	266.9	01Apr2015, 13:14	6.72

PC_2400	0.081	49.2	01Apr2015, 13:24	5.39
PC_2310	0.056	33.6	01Apr2015, 13:46	6.41
J_PC_2310	0.056	33.6	01Apr2015, 13:46	6.41
J_PC_2300	2.617	874	01Apr2015, 14:42	6.62
R_PC_2200	2.617	789.7	01Apr2015, 17:05	6.62
R_PC_2300	0.056	26.9	01Apr2015, 16:27	6.21
PC_2200	0.084	95.3	01Apr2015, 12:48	6.6
J_PC_2200	2.701	809.9	01Apr2015, 16:54	6.62
R_PC_2100	2.701	805.9	01Apr2015, 17:23	6.61
PC_2410	0.14	103.5	01Apr2015, 13:25	6.68
J_PC_2410	0.14	103.5	01Apr2015, 13:25	6.68
R_PC_2010	0.14	97.9	01Apr2015, 14:30	6.66
PC_2010	0.125	112.8	01Apr2015, 13:05	6.65
J_PC_2010	0.265	183.2	01Apr2015, 14:05	6.65
R_PC_2000	0.265	159	01Apr2015, 14:08	6.4
PC_2100	0.234	91.6	01Apr2015, 15:26	6.99
PC_2000	0.068	29.6	01Apr2015, 14:37	6.25
J_PC_2000	3.268	1011.9	01Apr2015, 16:31	6.62
R_PC_1900	3.268	1010.9	01Apr2015, 16:43	6.61
PC_1820	0.061	51.2	01Apr2015, 13:24	7.56
PC_1830	0.013	16.2	01Apr2015, 12:44	6.79
J_PC_1830	0.013	16.2	01Apr2015, 12:44	6.79
R_PC_1820	0.013	16.2	01Apr2015, 12:49	6.79
J_PC_1820	0.074	64.8	01Apr2015, 13:18	7.42
R_PC_1810	0.074	64.8	01Apr2015, 13:22	7.42
PC_1810	0.053	60.8	01Apr2015, 12:55	7.56
J_PC_1810	0.127	121.7	01Apr2015, 13:10	7.48
R_PC_1800	0.127	121.7	01Apr2015, 13:11	7.48
PC_1800	0.077	74.3	01Apr2015, 13:06	7.29
PC_1900	0.026	64	01Apr2015, 12:18	7.62
J_PC_1800	3.498	1096.4	01Apr2015, 16:10	6.67
R_PC_1700	3.498	1062.8	01Apr2015, 17:28	6.66
PC_1620	0.106	56.8	01Apr2015, 14:37	7.84
J_PC_1620	0.106	56.8	01Apr2015, 14:37	7.84
R_PC_1610	0.106	56.5	01Apr2015, 14:54	7.83
PC_1610	0.08	97.8	01Apr2015, 12:53	7.84
J_PC_1610	0.186	122.3	01Apr2015, 13:06	7.83
R_PC_1600	0.186	122.3	01Apr2015, 13:11	7.83
PC_1700	0.186	118.8	01Apr2015, 13:39	6.51
PC_1600	0.034	34.7	01Apr2015, 13:03	7.42
J_PC_1600	3.904	1208.5	01Apr2015, 16:52	6.72
R_PC_1500	3.904	1198.3	01Apr2015, 17:31	6.71
PC_1500	0.129	109.7	01Apr2015, 13:19	7.33
J_PC_1500	4.033	1241.5	01Apr2015, 17:19	6.73
R_PC_1400	4.033	1229.2	01Apr2015, 18:01	6.72
PC_571	0.27	49.1	01Apr2015, 18:37	5
J_PC_571	0.27	49.1	01Apr2015, 18:37	5

R_PC_1360	0.27	47.2	01Apr2015, 18:53	4.97
PC_1360	0.083	44.9	01Apr2015, 13:22	4.76
J_PC_1360	0.353	63.9	01Apr2015, 17:39	4.92
R_PC_1350	0.353	63.8	01Apr2015, 17:56	4.89
PC_1370	0.092	37.3	01Apr2015, 14:32	5.7
J_PC_1370	0.092	37.3	01Apr2015, 14:32	5.7
R_PC_1327	0.092	37.3	01Apr2015, 14:36	5.7
PC_1327	0.047	66.2	01Apr2015, 12:34	6.25
J_PC_1327	0.139	75.6	01Apr2015, 12:39	5.89
R_PC_1325	0.139	57.3	01Apr2015, 12:43	5.67
PC_1326	0.106	64.1	01Apr2015, 13:36	6
J_PC_1326	0.106	64.1	01Apr2015, 13:36	6
R_PC_1324	0.106	64	01Apr2015, 13:42	6
PC_1325	0.048	25.8	01Apr2015, 13:25	4.85
PC_1324	0.032	26.1	01Apr2015, 13:05	5.98
J_PC_1324	0.325	167.5	01Apr2015, 13:35	5.69
R_PC_1323	0.325	167.5	01Apr2015, 13:35	5.69
PC_1350	0.098	82.9	01Apr2015, 12:58	5.62
PC_1323	0.027	22.7	01Apr2015, 13:01	5.85
J_PC_1323	0.803	308.5	01Apr2015, 13:31	5.34
R_PC_1321	0.803	286	01Apr2015, 13:33	5.29
PC_1321	0.074	54.8	01Apr2015, 13:19	6.28
J_PC_1321	0.877	340	01Apr2015, 13:30	5.38
R_PC_1320	0.877	339.8	01Apr2015, 13:33	5.38
PC_1330	0.137	116.2	01Apr2015, 13:09	6.52
PC_1340	0.102	41.2	01Apr2015, 14:47	6.12
J_PC_1340	0.102	41.2	01Apr2015, 14:47	6.12
R_PC_1330	0.102	31.5	01Apr2015, 18:00	6.11
PC_1320	0.035	52.7	01Apr2015, 12:38	7.42
J_PC_1320	1.151	495.1	01Apr2015, 13:22	5.64
R_PC_1310	1.151	448.9	01Apr2015, 14:14	5.64
PC_1310	0.278	175.2	01Apr2015, 13:51	6.99
J_PC_1310	1.429	620.8	01Apr2015, 14:06	5.9
R_PC_1300	1.429	610.5	01Apr2015, 14:30	5.89
PC_1300	0.135	99.9	01Apr2015, 13:32	7.14
J_PC_L2	1.564	698.7	01Apr2015, 14:24	6
PC_1400	0.165	83.4	01Apr2015, 14:11	6.37
J_PC_1300	5.762	1765.1	01Apr2015, 16:46	6.52
R_PC_1200	5.762	1763	01Apr2015, 16:59	6.51
PC_1200	0.111	68.1	01Apr2015, 13:19	5.22
J_PC_1200	5.873	1794.5	01Apr2015, 16:54	6.49
R_PC_1100	5.873	1779.3	01Apr2015, 17:31	6.48
PC_1100	0.182	70.6	01Apr2015, 14:55	6.08
PC_1000	0.168	109.7	01Apr2015, 13:20	5.6
J_PC_1000	6.223	1883.9	01Apr2015, 17:20	6.44
R_PC_900	6.223	1854.5	01Apr2015, 18:11	6.43
PC_900	0.463	316.7	01Apr2015, 13:09	5.23

PC_810	0.208	157.8	01Apr2015, 13:27	7.02
PC_820	0.066	49.2	01Apr2015, 13:19	6.35
J_PC_820	0.066	49.2	01Apr2015, 13:19	6.35
R_PC_810	0.066	39.5	01Apr2015, 14:12	6.24
J_PC_810	0.274	194.9	01Apr2015, 13:31	6.84
R_PC_800	0.274	194.1	01Apr2015, 13:46	6.83
PC_800	0.16	208.1	01Apr2015, 12:41	6.66
J_PC_800	7.12	2064	01Apr2015, 17:33	6.37
R_PC_700	7.12	2045.9	01Apr2015, 18:12	6.37
PC_700	0.154	253.6	01Apr2015, 12:25	5.86
J_PC_700	7.274	2062	01Apr2015, 18:09	6.36
R_PC_600	7.274	2061.6	01Apr2015, 18:15	6.36
PC_570	0.416	180.4	01Apr2015, 13:55	4.94
PC_590	0.172	75.5	01Apr2015, 14:08	5.41
J_PC_590	0.172	75.5	01Apr2015, 14:08	5.41
R_PC_580	0.172	72.9	01Apr2015, 15:10	5.4
PC_580	0.124	91.6	01Apr2015, 13:06	5.49
J_PC_580	0.296	135.2	01Apr2015, 14:21	5.44
R_PC_570	0.296	127.8	01Apr2015, 15:49	5.37
J_PC_570	0.712	289	01Apr2015, 14:32	5.12
R_PC_560	0.712	288.8	01Apr2015, 14:43	5.12
PC_560	0.163	112.3	01Apr2015, 13:07	5.14
J_PC_560	0.875	374.3	01Apr2015, 14:08	5.12
R_PC_550	0.875	305.5	01Apr2015, 14:32	5.11
PC_550	0.535	131.5	01Apr2015, 16:49	5.53
J_PC_550	1.41	415.9	01Apr2015, 15:57	5.27
R_PC_540	1.41	362	01Apr2015, 16:22	5.29
PC_530	0.064	42.8	01Apr2015, 13:38	6.74
PC_531	0.027	38.5	01Apr2015, 12:35	6.47
J_PC_531	0.027	38.5	01Apr2015, 12:35	6.47
R_PC_530	0.027	38.3	01Apr2015, 12:39	6.47
PC_540	0.015	13.1	01Apr2015, 13:17	7.38
J_PC_530	1.516	403.9	01Apr2015, 16:03	5.39
R_PC_520	1.516	403.7	01Apr2015, 16:09	5.39
PC_520	0.029	34.6	01Apr2015, 12:48	6.93
J_PC_520	1.545	413.6	01Apr2015, 16:01	5.42
R_PC_510	1.545	413.6	01Apr2015, 16:03	5.42
PC_510	0.184	137.1	01Apr2015, 13:15	6.11
J_PC_510	1.729	499.8	01Apr2015, 14:32	5.49
R_PC_500	1.729	496.1	01Apr2015, 15:24	5.49
PC_500	0.216	136.5	01Apr2015, 13:27	5.82
J_PC_L1	1.945	603.1	01Apr2015, 14:43	5.52
PC_600	0.004	5.4	01Apr2015, 12:41	7.11
J_PC_500	9.223	2556.4	01Apr2015, 17:34	6.18
R_PC_400	9.223	2499.3	01Apr2015, 18:43	6.17
PC_400	0.28	349.6	01Apr2015, 12:32	5.16
J_PC_400	9.503	2525.3	01Apr2015, 18:40	6.14

R_PC_300	9.503	2525.2	01Apr2015, 18:44	6.14
PC_240	0.206	57.1	01Apr2015, 15:08	4.54
PC_250	0.117	33.7	01Apr2015, 14:41	4.21
J_PC_250	0.117	33.7	01Apr2015, 14:41	4.21
R_PC_240	0.117	33.6	01Apr2015, 14:52	4.21
J_PC_240	0.323	90.6	01Apr2015, 15:03	4.42
R_PC_230	0.323	87.1	01Apr2015, 16:40	4.41
PC_230	0.126	51.3	01Apr2015, 14:21	5.39
J_PC_230	0.449	130.1	01Apr2015, 16:15	4.68
R_PC_220	0.449	115.2	01Apr2015, 16:50	4.66
PC_220	0.273	60	01Apr2015, 15:54	4.18
J_PC_220	0.722	174.3	01Apr2015, 16:38	4.48
R_PC_210	0.722	141.7	01Apr2015, 17:05	4.21
PC_210	0.135	60.7	01Apr2015, 13:44	4.73
J_PC_210	0.857	182	01Apr2015, 16:17	4.29
R_PC_200	0.857	181.9	01Apr2015, 16:33	4.29
PC_200	0.099	60.4	01Apr2015, 13:11	4.8
PC_300	0.025	15.3	01Apr2015, 13:32	5.86
J_PC_200	10.484	2712.6	01Apr2015, 18:33	5.98
R_PC_100	10.484	2573.4	01Apr2015, 20:23	5.94
PC_100	0.129	74	01Apr2015, 13:27	5.26
OUT_PC_100	10.613	2591.4	01Apr2015, 20:21	5.93

Project: JohnsonsMillRun

Simulation Run: 2YR-EX(Sny)

Start of Run: 01Apr2015, 00:00

Basin Model: Johnsons Mill Run-EX(Snyder)

End of Run: 03Apr2015, 00:00

Meteorilgic Model: 2-YR

Compute Time: 16Dec2015, 12:40:34

Control Specifications: Control 1

Hydrologic Element	Drainage Area (MI2)	Peak Discharge (CFS)	Time of Peak	Volume (IN)
JMR_13563	1.076	37.3	01Apr2015, 23:30	1.21
J_JMR_13563	1.076	37.3	01Apr2015, 23:30	1.21
R_JMR_13562	1.076	35.5	02Apr2015, 00:02	1.18
JMR_13570	0.37	8	02Apr2015, 07:11	0.81
J_JMR_13570	0.37	8	02Apr2015, 07:11	0.81
R_JMR_13561	0.37	7.6	02Apr2015, 09:53	0.74
JMR_13562	0.111	6.6	01Apr2015, 17:14	1.37
JMR_13561	0.069	6.8	01Apr2015, 14:45	1.47
J_JMR_13561	1.626	46.9	02Apr2015, 00:01	1.11
R_JMR_13560	1.626	37.9	02Apr2015, 03:21	0.95
JMR_13552	0.591	16.9	02Apr2015, 03:22	1.06
JMR_13560	0.591	22.6	01Apr2015, 21:56	1.27
JMR_13553	0.295	20.7	01Apr2015, 17:25	1.68
J_JMR_13553	0.295	20.7	01Apr2015, 17:25	1.68
R_JMR_13552	0.295	16.6	01Apr2015, 19:22	1.57
J_JMR_13560	3.103	88.9	02Apr2015, 01:07	1.09
R_JMR_13550	3.103	88.9	02Apr2015, 01:24	1.08
JMR_13551	0.699	28.5	01Apr2015, 20:12	1.23
JMR_13541	0.573	26.2	01Apr2015, 18:31	1.2
JMR_13550	0.1	14.9	01Apr2015, 13:33	1.46
J_JMR_13550	4.475	139.4	01Apr2015, 22:32	1.13
R_JMR_13540	4.475	104.7	02Apr2015, 03:09	0.95
JMR_13533	0.939	15.7	02Apr2015, 08:02	0.62
JMR_13535	0.527	25.1	01Apr2015, 18:00	1.18
J_JMR_13535	0.527	25.1	01Apr2015, 18:00	1.18
R_JMR_13534	0.527	22.9	01Apr2015, 18:45	1.15
JMR_13534	0.192	12.2	01Apr2015, 15:55	1.17
J_JMR_13534	1.658	37.5	01Apr2015, 19:00	0.85
R_JMR_13533	1.658	27.9	02Apr2015, 04:10	0.67
JMR_13540	0.03	4.2	01Apr2015, 13:28	1.31
J_JMR_13540	6.163	132.7	02Apr2015, 03:13	0.88
R_JMR_13531	6.163	132.6	02Apr2015, 04:10	0.87
JMR_13532	1.08	47.4	01Apr2015, 19:38	1.28
JMR_13531	0.619	25.1	01Apr2015, 20:23	1.24
JMR_13542	0.486	68.2	01Apr2015, 14:09	1.74
J_JMR_13542	0.486	68.2	01Apr2015, 14:09	1.74
R_JMR_13532	0.486	29.6	01Apr2015, 14:47	1.12
J_JMR_13531	8.348	205.9	02Apr2015, 00:21	0.96

R_JMR_13530	8.348	204.9	02Apr2015, 02:11	0.95
JMR_13521	0.753	18.3	02Apr2015, 04:17	0.91
JMR_13530	0.144	6.4	01Apr2015, 18:45	1.19
J_JMR_13530	9.245	227.2	02Apr2015, 02:25	0.95
R_JMR_13520	9.245	193.2	02Apr2015, 05:00	0.82
JMR_13520	1.809	31.2	02Apr2015, 07:51	0.64
J_JMR_13520	11.054	223.2	02Apr2015, 05:48	0.79
R_JMR_13600	11.054	222.4	02Apr2015, 07:04	0.78
JMR_13610	0.58	22.2	01Apr2015, 20:45	1.19
JMR_13620	0.259	7.3	01Apr2015, 19:41	0.8
J_JMR_13620	0.259	7.3	01Apr2015, 19:41	0.8
R_JMR_13610	0.259	7.3	01Apr2015, 21:44	0.78
J_JMR_13610	0.839	29.4	01Apr2015, 21:07	1.06
R_JMR_13700	0.839	29.4	01Apr2015, 21:15	1.06
JMR_13700	0.49	14.2	02Apr2015, 01:17	1.05
JMR_13500	0.482	16.5	01Apr2015, 21:19	1.09
JMR_13510	0.305	9.7	01Apr2015, 23:07	1.09
J_JMR_13510	0.305	9.7	01Apr2015, 23:07	1.09
R_JMR_13500	0.305	9.7	01Apr2015, 23:44	1.08
JMR_13600	0.276	20.9	01Apr2015, 16:01	1.46
J_JMR_13500	13.446	282.7	02Apr2015, 04:50	0.84
R_JMR_13400	13.446	282.3	02Apr2015, 05:45	0.83
JMR_13410	0.773	28.8	01Apr2015, 21:14	1.19
J_JMR_13410	0.773	28.8	01Apr2015, 21:14	1.19
R_JMR_13320	0.773	23.7	02Apr2015, 01:24	1.07
JMR_16000	0.579	18.8	01Apr2015, 23:13	1.12
J_JMR_16000	0.579	18.8	01Apr2015, 23:13	1.12
R_JMR_13310	0.579	16.3	02Apr2015, 02:55	1.02
JMR_13320	0.539	17.5	01Apr2015, 22:41	1.1
JMR_13310	0.188	13.4	01Apr2015, 15:46	1.3
J_JMR_13310	2.079	63.4	01Apr2015, 23:56	1.08
R_JMR_13300	2.079	63.4	02Apr2015, 00:04	1.08
JMR_13400	0.301	15	01Apr2015, 19:20	1.42
JMR_13300	0.059	3.4	01Apr2015, 18:09	1.5
J_JMR_13300	15.885	351	02Apr2015, 04:20	0.87
R_JMR_13200	15.885	328.6	02Apr2015, 05:51	0.82
JMR_13200	0.61	27.9	01Apr2015, 18:43	1.23
J_JMR_13200	16.495	344.1	02Apr2015, 05:09	0.84
R_JMR_13100	16.495	315.1	02Apr2015, 07:31	0.76
JMR_13100	0.509	34.1	01Apr2015, 17:01	1.51
J_JMR_13100	17.004	325.7	02Apr2015, 06:43	0.78
R_JMR_13000	17.004	325.4	02Apr2015, 07:37	0.77
JMR_15100	0.594	51.2	01Apr2015, 15:21	1.47
J_JMR_15100	0.594	51.2	01Apr2015, 15:21	1.47
R_JMR_15000	0.594	36	01Apr2015, 16:11	1.21
JMR_15000	0.243	26.8	01Apr2015, 14:36	1.58
J_JMR_15000	0.837	61.4	01Apr2015, 15:26	1.32

R_JMR_14000	0.837	51.2	01Apr2015, 16:00	1.24
JMR_13000	0.37	25.8	01Apr2015, 17:05	1.58
JMR_14000	0.035	12.8	01Apr2015, 12:49	2.15
J_JMR_13000	18.246	347.1	02Apr2015, 05:49	0.81
R_JMR_12000	18.246	346.9	02Apr2015, 06:34	0.8
JMR_11120	0.192	12.1	01Apr2015, 17:13	1.45
J_JMR_11120	0.192	12.1	01Apr2015, 17:13	1.45
R_JMR_11110	0.192	10.5	01Apr2015, 18:24	1.39
JMR_11110	0.071	14.3	01Apr2015, 13:33	1.95
J_JMR_11110	0.263	18.8	01Apr2015, 16:04	1.54
R_JMR_11100	0.263	18.8	01Apr2015, 16:14	1.54
JMR_11100	0.257	34.8	01Apr2015, 13:55	1.55
JMR_12000	0.171	22.4	01Apr2015, 14:36	1.88
J_JMR_12000	18.937	355.5	02Apr2015, 05:26	0.83
R_JMR_11000	18.937	347	02Apr2015, 06:30	0.81
JMR_11000	0.136	20.6	01Apr2015, 14:22	2.02
J_JMR_11000	19.073	348.4	02Apr2015, 06:15	0.81
R_JMR_10000	19.073	348.3	02Apr2015, 07:23	0.8
JMR_9000	0.214	14.3	01Apr2015, 14:46	0.98
JMR_10000	0.196	36.4	01Apr2015, 13:06	1.38
JMR_9100	0.052	1.7	01Apr2015, 14:56	0.44
J_JMR_9100	0.052	1.7	01Apr2015, 14:56	0.44
R_JMR_9000	0.052	1.6	01Apr2015, 15:25	0.44
J_JMR_9000	19.535	349.3	02Apr2015, 07:10	0.81
R_JMR_8000	19.535	349.2	02Apr2015, 07:22	0.8
JMR_7000	0.091	12.4	01Apr2015, 13:42	1.43
JMR_7100	0.086	14	01Apr2015, 12:57	1.11
J_JMR_7100	0.086	14	01Apr2015, 12:57	1.11
R_JMR_7000	0.086	13.5	01Apr2015, 13:29	1.1
JMR_8000	0.071	5.7	01Apr2015, 13:53	0.93
J_JMR_7000	19.783	349.5	02Apr2015, 07:17	0.81
R_JMR_6000	19.783	349.5	02Apr2015, 07:23	0.81
JMR_6000	0.027	3.9	01Apr2015, 12:57	1
J_JMR_6000	19.81	349.5	02Apr2015, 07:23	0.81
R_JMR_5000	19.81	349.5	02Apr2015, 07:31	0.8
JMR_5000	0.097	7.6	01Apr2015, 13:38	0.84
J_JMR_5000	19.907	349.5	02Apr2015, 07:30	0.8
R_JMR_4000	19.907	349.5	02Apr2015, 07:42	0.8
JMR_3360	0.637	17.5	01Apr2015, 22:45	0.93
JMR_3370	0.207	18.6	01Apr2015, 15:47	1.68
JMR_3380	0.198	20.7	01Apr2015, 15:13	1.75
J_JMR_3380	0.198	20.7	01Apr2015, 15:13	1.75
R_JMR_3370	0.198	19.8	01Apr2015, 15:57	1.74
J_JMR_3360	1.042	46.4	01Apr2015, 17:50	1.23
R_JMR_3356	1.042	36.4	01Apr2015, 19:39	1.11
JMR_3356	0.284	28.5	01Apr2015, 15:03	1.61
J_JMR_3356	1.326	60.6	01Apr2015, 16:37	1.21

R_JMR_3354	1.326	60.5	01Apr2015, 17:12	1.2
JMR_3354	0.337	30.3	01Apr2015, 14:34	1.28
JMR_3355	0.043	15.2	01Apr2015, 12:44	1.89
J_JMR_3354	1.706	91	01Apr2015, 16:03	1.24
R_JMR_3353	1.706	82.6	01Apr2015, 16:14	1.2
JMR_3353	0.093	33.3	01Apr2015, 12:47	2.01
J_JMR_3353	1.799	92.7	01Apr2015, 15:41	1.24
R_JMR_3352	1.799	92.4	01Apr2015, 15:58	1.24
JMR_3321	0.324	20.2	01Apr2015, 14:48	0.91
JMR_3320	0.232	34.3	01Apr2015, 14:14	1.88
J_JMR_3320	0.232	34.3	01Apr2015, 14:14	1.88
R_JMR_3319	0.232	34.3	01Apr2015, 14:22	1.88
JMR_3322	0.131	7.3	01Apr2015, 15:48	0.98
J_JMR_3322	0.131	7.3	01Apr2015, 15:48	0.98
R_JMR_3321	0.131	7.1	01Apr2015, 17:39	0.97
JMR_3319	0.026	13.2	01Apr2015, 12:24	1.71
J_JMR_3319	0.713	58	01Apr2015, 15:09	1.27
R_JMR_3317	0.713	52	01Apr2015, 16:13	1.24
JMR_3317	0.275	5.4	01Apr2015, 21:03	0.6
JMR_3318	0.272	5.8	01Apr2015, 19:37	0.57
J_JMR_3317	1.26	60	01Apr2015, 16:53	0.96
R_JMR_3351	1.26	60	01Apr2015, 16:55	0.96
JMR_3352	0.175	23.7	01Apr2015, 14:34	1.92
JMR_3351	0.052	4.3	01Apr2015, 15:33	1.45
J_JMR_3351	3.286	177	01Apr2015, 16:05	1.17
R_JMR_3350	3.286	175.1	01Apr2015, 16:24	1.17
JMR_3313	0.092	9.8	01Apr2015, 14:06	1.31
JMR_3350	0.08	11.9	01Apr2015, 13:56	1.72
J_JMR_3350	3.458	192.4	01Apr2015, 16:11	1.18
R_JMR_3312	3.458	183.2	01Apr2015, 16:17	1.17
JMR_11130	0.412	27.8	01Apr2015, 15:43	1.21
J_JMR_11130	0.412	27.8	01Apr2015, 15:43	1.21
R_JMR_3341	0.412	24.5	01Apr2015, 16:16	1.16
JMR_3341	0.112	10	01Apr2015, 15:07	1.45
J_JMR_3341	0.524	34.3	01Apr2015, 15:55	1.22
R_JMR_3340	0.524	31.5	01Apr2015, 18:56	1.2
JMR_3340	0.244	28.3	01Apr2015, 13:57	1.36
JMR_3312	0.144	42.3	01Apr2015, 13:12	2.33
J_JMR_3312	4.37	253.8	01Apr2015, 15:57	1.22
R_JMR_3310	4.37	230.8	01Apr2015, 16:08	1.21
JMR_3331	0.263	44.2	01Apr2015, 13:35	1.65
JMR_3332	0.044	1.2	01Apr2015, 16:24	0.46
J_JMR_3332	0.044	1.2	01Apr2015, 16:24	0.46
R_JMR_3331	0.044	1.1	01Apr2015, 18:04	0.46
J_JMR_3331	0.307	44.2	01Apr2015, 13:35	1.48
R_JMR_3330	0.307	39.6	01Apr2015, 13:36	1.42
JMR_3330	0.206	22.4	01Apr2015, 15:00	1.73

JMR_3310	0.058	3.6	01Apr2015, 14:00	0.73
J_JMR_3310	4.941	285.3	01Apr2015, 15:46	1.24
R_JMR_3300	4.941	280.2	01Apr2015, 16:50	1.23
JMR_3210	0.204	14.6	01Apr2015, 15:52	1.33
J_JMR_3210	0.204	14.6	01Apr2015, 15:52	1.33
R_JMR_3200	0.204	14.6	01Apr2015, 16:10	1.33
JMR_3200	0.113	13.9	01Apr2015, 12:56	0.86
JMR_3300	0.113	4.7	01Apr2015, 13:39	0.44
J_JMR_3200	5.371	302.8	01Apr2015, 16:42	1.21
R_JMR_3100	5.371	282.4	01Apr2015, 18:03	1.2
JMR_3100	0.502	14.9	01Apr2015, 20:03	0.86
J_JMR_3100	5.873	296.4	01Apr2015, 18:09	1.17
R_JMR_3000	5.873	296.3	01Apr2015, 18:29	1.17
JMR_3000	0.174	6.7	01Apr2015, 15:30	0.61
JMR_4000	0.071	10.6	01Apr2015, 12:45	0.86
J_JMR_3000	26.025	562.4	01Apr2015, 19:08	0.88
R_JMR_2000	26.025	560.2	01Apr2015, 19:46	0.87
JMR_2000	0.208	16.1	01Apr2015, 13:32	0.79
J_JMR_2000	26.233	565.9	01Apr2015, 19:41	0.87
R_JMR_1000	26.233	565	01Apr2015, 20:05	0.87
JMR_1000	0.14	2.8	01Apr2015, 14:18	0.23
OUT_JMR_1000	26.373	566.3	01Apr2015, 20:04	0.86

Project: JohnsonsMillRun

Simulation Run: 10YR-EX(Sny)

Start of Run: 01Apr2015, 00:00

Basin Model: Johnsons Mill Run-EX(Snyder)

End of Run: 03Apr2015, 00:00

Meteorilgic Model: 10-YR

Compute Time: 16Dec2015, 12:40:34

Control Specifications: Control 1

Hydrologic Element	Drainage Area (MI2)	Peak Discharge (CFS)	Time of Peak	Volume (IN)
JMR_13563	1.076	78	01Apr2015, 22:52	2.52
J_JMR_13563	1.076	78	01Apr2015, 22:52	2.52
R_JMR_13562	1.076	72.7	01Apr2015, 23:31	2.44
JMR_13570	0.37	16.5	02Apr2015, 06:47	1.68
J_JMR_13570	0.37	16.5	02Apr2015, 06:47	1.68
R_JMR_13561	0.37	15.6	02Apr2015, 08:56	1.55
JMR_13562	0.111	14.7	01Apr2015, 16:46	2.94
JMR_13561	0.069	15.1	01Apr2015, 14:34	3.09
J_JMR_13561	1.626	96.9	01Apr2015, 23:15	2.3
R_JMR_13560	1.626	74.8	02Apr2015, 04:23	1.95
JMR_13552	0.591	34.1	02Apr2015, 02:53	2.15
JMR_13560	0.591	47.8	01Apr2015, 21:21	2.65
JMR_13553	0.295	42.4	01Apr2015, 17:05	3.36
J_JMR_13553	0.295	42.4	01Apr2015, 17:05	3.36
R_JMR_13552	0.295	33.7	01Apr2015, 17:47	3.12
J_JMR_13560	3.103	176.3	02Apr2015, 01:06	2.23
R_JMR_13550	3.103	175.9	02Apr2015, 02:00	2.21
JMR_13551	0.699	62.9	01Apr2015, 19:36	2.67
JMR_13541	0.573	59.9	01Apr2015, 17:56	2.67
JMR_13550	0.1	33.3	01Apr2015, 13:28	3.08
J_JMR_13550	4.475	282	01Apr2015, 22:35	2.36
R_JMR_13540	4.475	227	02Apr2015, 02:30	2.07
JMR_13533	0.939	34.9	02Apr2015, 07:27	1.38
JMR_13535	0.527	58.2	01Apr2015, 17:25	2.65
J_JMR_13535	0.527	58.2	01Apr2015, 17:25	2.65
R_JMR_13534	0.527	51.9	01Apr2015, 17:46	2.54
JMR_13534	0.192	29.2	01Apr2015, 15:25	2.65
J_JMR_13534	1.658	85.4	01Apr2015, 17:46	1.9
R_JMR_13533	1.658	51.7	02Apr2015, 05:55	1.39
JMR_13540	0.03	9.8	01Apr2015, 13:22	2.87
J_JMR_13540	6.163	278.1	02Apr2015, 02:44	1.89
R_JMR_13531	6.163	277.8	02Apr2015, 03:57	1.87
JMR_13532	1.08	104.2	01Apr2015, 19:04	2.75
JMR_13531	0.619	55.1	01Apr2015, 19:47	2.67
JMR_13542	0.486	141	01Apr2015, 14:03	3.47
J_JMR_13542	0.486	141	01Apr2015, 14:03	3.47
R_JMR_13532	0.486	84.6	01Apr2015, 14:17	2.9
J_JMR_13531	8.348	437.4	01Apr2015, 23:39	2.1

R_JMR_13530	8.348	436.3	02Apr2015, 01:08	2.05
JMR_13521	0.753	38.3	02Apr2015, 03:43	1.91
JMR_13530	0.144	14.6	01Apr2015, 18:09	2.64
J_JMR_13530	9.245	483	02Apr2015, 01:30	2.05
R_JMR_13520	9.245	436.6	02Apr2015, 03:15	1.89
JMR_13520	1.809	68.7	02Apr2015, 07:17	1.42
J_JMR_13520	11.054	498.9	02Apr2015, 04:14	1.82
R_JMR_13600	11.054	497.7	02Apr2015, 05:11	1.77
JMR_13610	0.58	49	01Apr2015, 20:07	2.59
JMR_13620	0.259	19.3	01Apr2015, 18:48	2.02
J_JMR_13620	0.259	19.3	01Apr2015, 18:48	2.02
R_JMR_13610	0.259	19	01Apr2015, 20:39	1.98
J_JMR_13610	0.839	67.9	01Apr2015, 20:20	2.4
R_JMR_13700	0.839	67.9	01Apr2015, 20:27	2.4
JMR_13700	0.49	30.1	02Apr2015, 00:39	2.22
JMR_13500	0.482	37.2	01Apr2015, 20:38	2.43
JMR_13510	0.305	21.2	01Apr2015, 22:25	2.37
J_JMR_13510	0.305	21.2	01Apr2015, 22:25	2.37
R_JMR_13500	0.305	21.1	01Apr2015, 23:02	2.34
JMR_13600	0.276	45.9	01Apr2015, 15:40	3.08
J_JMR_13500	13.446	640.1	02Apr2015, 03:09	1.89
R_JMR_13400	13.446	639.6	02Apr2015, 03:49	1.86
JMR_13410	0.773	63.2	01Apr2015, 20:37	2.58
J_JMR_13410	0.773	63.2	01Apr2015, 20:37	2.58
R_JMR_13320	0.773	43.5	02Apr2015, 00:52	2.13
JMR_16000	0.579	40.7	01Apr2015, 22:32	2.41
J_JMR_16000	0.579	40.7	01Apr2015, 22:32	2.41
R_JMR_13310	0.579	32.8	02Apr2015, 01:27	2.14
JMR_13320	0.539	38.4	01Apr2015, 21:59	2.39
JMR_13310	0.188	30.9	01Apr2015, 15:22	2.85
J_JMR_13310	2.079	129.9	01Apr2015, 22:01	2.26
R_JMR_13300	2.079	129.9	01Apr2015, 22:07	2.26
JMR_13400	0.301	31.7	01Apr2015, 18:51	2.96
JMR_13300	0.059	7.3	01Apr2015, 17:42	3.1
J_JMR_13300	15.885	785.4	02Apr2015, 02:43	1.94
R_JMR_13200	15.885	742.7	02Apr2015, 03:50	1.86
JMR_13200	0.61	63.2	01Apr2015, 18:09	2.7
J_JMR_13200	16.495	782.1	02Apr2015, 03:12	1.89
R_JMR_13100	16.495	726	02Apr2015, 04:45	1.77
JMR_13100	0.509	73.2	01Apr2015, 16:37	3.13
J_JMR_13100	17.004	755.9	02Apr2015, 03:57	1.81
R_JMR_13000	17.004	755.1	02Apr2015, 04:40	1.78
JMR_15100	0.594	112.7	01Apr2015, 15:05	3.09
J_JMR_15100	0.594	112.7	01Apr2015, 15:05	3.09
R_JMR_15000	0.594	93.6	01Apr2015, 15:23	3
JMR_15000	0.243	57.6	01Apr2015, 14:28	3.26
J_JMR_15000	0.837	149.2	01Apr2015, 15:02	3.07

R_JMR_14000	0.837	131.5	01Apr2015, 15:12	3.02
JMR_13000	0.37	54.2	01Apr2015, 16:43	3.24
JMR_14000	0.035	24.1	01Apr2015, 12:48	4.01
J_JMR_13000	18.246	822.9	02Apr2015, 02:55	1.87
R_JMR_12000	18.246	822.7	02Apr2015, 03:27	1.85
JMR_11120	0.192	26.3	01Apr2015, 16:47	3.05
J_JMR_11120	0.192	26.3	01Apr2015, 16:47	3.05
R_JMR_11110	0.192	21.5	01Apr2015, 17:30	2.83
JMR_11110	0.071	28.3	01Apr2015, 13:30	3.75
J_JMR_11110	0.263	38.5	01Apr2015, 15:45	3.08
R_JMR_11100	0.263	38.5	01Apr2015, 15:53	3.08
JMR_11100	0.257	75.7	01Apr2015, 13:49	3.21
JMR_12000	0.171	45	01Apr2015, 14:29	3.65
J_JMR_12000	18.937	852.4	02Apr2015, 02:22	1.9
R_JMR_11000	18.937	830.7	02Apr2015, 02:55	1.86
JMR_11000	0.136	40.1	01Apr2015, 14:17	3.83
J_JMR_11000	19.073	836.7	02Apr2015, 02:38	1.87
R_JMR_10000	19.073	836.4	02Apr2015, 03:28	1.84
JMR_9000	0.214	37.7	01Apr2015, 14:21	2.35
JMR_10000	0.196	83.3	01Apr2015, 13:01	2.97
JMR_9100	0.052	6.5	01Apr2015, 13:50	1.41
J_JMR_9100	0.052	6.5	01Apr2015, 13:50	1.41
R_JMR_9000	0.052	6.5	01Apr2015, 14:11	1.41
J_JMR_9000	19.535	843.9	02Apr2015, 02:57	1.85
R_JMR_8000	19.535	843.8	02Apr2015, 03:10	1.84
JMR_7000	0.091	28	01Apr2015, 13:36	3.04
JMR_7100	0.086	35.6	01Apr2015, 12:53	2.56
J_JMR_7100	0.086	35.6	01Apr2015, 12:53	2.56
R_JMR_7000	0.086	34.2	01Apr2015, 13:19	2.55
JMR_8000	0.071	15.7	01Apr2015, 13:40	2.27
J_JMR_7000	19.783	847.3	02Apr2015, 02:50	1.85
R_JMR_6000	19.783	847.2	02Apr2015, 02:55	1.85
JMR_6000	0.027	10.5	01Apr2015, 12:52	2.39
J_JMR_6000	19.81	847.3	02Apr2015, 02:55	1.85
R_JMR_5000	19.81	847.3	02Apr2015, 03:03	1.84
JMR_5000	0.097	22.2	01Apr2015, 13:26	2.12
J_JMR_5000	19.907	848.3	02Apr2015, 02:58	1.85
R_JMR_4000	19.907	848.2	02Apr2015, 03:09	1.84
JMR_3360	0.637	41	01Apr2015, 21:54	2.14
JMR_3370	0.207	38.7	01Apr2015, 15:33	3.39
JMR_3380	0.198	42.6	01Apr2015, 15:03	3.48
J_JMR_3380	0.198	42.6	01Apr2015, 15:03	3.48
R_JMR_3370	0.198	40.5	01Apr2015, 15:34	3.47
J_JMR_3360	1.042	98.3	01Apr2015, 17:51	2.64
R_JMR_3356	1.042	75.2	01Apr2015, 20:04	2.36
JMR_3356	0.284	60.7	01Apr2015, 14:52	3.29
J_JMR_3356	1.326	123.3	01Apr2015, 16:22	2.56

R_JMR_3354	1.326	121.7	01Apr2015, 18:06	2.54
JMR_3354	0.337	71.3	01Apr2015, 14:21	2.81
JMR_3355	0.043	30.1	01Apr2015, 12:42	3.67
J_JMR_3354	1.706	183	01Apr2015, 16:07	2.62
R_JMR_3353	1.706	168.1	01Apr2015, 16:27	2.58
JMR_3353	0.093	64.5	01Apr2015, 12:45	3.82
J_JMR_3353	1.799	187.6	01Apr2015, 14:51	2.65
R_JMR_3352	1.799	185.3	01Apr2015, 16:14	2.64
JMR_3321	0.324	54.8	01Apr2015, 14:20	2.24
JMR_3320	0.232	68.7	01Apr2015, 14:08	3.66
J_JMR_3320	0.232	68.7	01Apr2015, 14:08	3.66
R_JMR_3319	0.232	68.6	01Apr2015, 14:17	3.66
JMR_3322	0.131	18.8	01Apr2015, 15:11	2.36
J_JMR_3322	0.131	18.8	01Apr2015, 15:11	2.36
R_JMR_3321	0.131	17.8	01Apr2015, 16:58	2.33
JMR_3319	0.026	27	01Apr2015, 12:22	3.43
J_JMR_3319	0.713	135.1	01Apr2015, 14:38	2.76
R_JMR_3317	0.713	121	01Apr2015, 15:45	2.76
JMR_3317	0.275	15.6	01Apr2015, 19:54	1.67
JMR_3318	0.272	17.3	01Apr2015, 18:31	1.65
J_JMR_3317	1.26	144.8	01Apr2015, 16:31	2.28
R_JMR_3351	1.26	144.8	01Apr2015, 16:32	2.28
JMR_3352	0.175	47	01Apr2015, 14:28	3.71
JMR_3351	0.052	9.4	01Apr2015, 15:15	3.06
J_JMR_3351	3.286	379.9	01Apr2015, 16:06	2.57
R_JMR_3350	3.286	377.8	01Apr2015, 16:21	2.56
JMR_3313	0.092	22.8	01Apr2015, 13:58	2.87
JMR_3350	0.08	24.9	01Apr2015, 13:51	3.44
J_JMR_3350	3.458	414	01Apr2015, 16:05	2.59
R_JMR_3312	3.458	397.9	01Apr2015, 16:12	2.59
JMR_11130	0.412	65.9	01Apr2015, 15:16	2.71
J_JMR_11130	0.412	65.9	01Apr2015, 15:16	2.71
R_JMR_3341	0.412	57.8	01Apr2015, 15:26	2.57
JMR_3341	0.112	22.2	01Apr2015, 14:52	3.06
J_JMR_3341	0.524	79.8	01Apr2015, 15:15	2.68
R_JMR_3340	0.524	67.2	01Apr2015, 19:30	2.61
JMR_3340	0.244	65.1	01Apr2015, 13:50	2.93
JMR_3312	0.144	77.4	01Apr2015, 13:10	4.23
J_JMR_3312	4.37	531.6	01Apr2015, 15:55	2.66
R_JMR_3310	4.37	493.7	01Apr2015, 16:10	2.66
JMR_3331	0.263	93.5	01Apr2015, 13:30	3.35
JMR_3332	0.044	4.1	01Apr2015, 15:11	1.46
J_JMR_3332	0.044	4.1	01Apr2015, 15:11	1.46
R_JMR_3331	0.044	4	01Apr2015, 16:42	1.45
J_JMR_3331	0.307	93.7	01Apr2015, 13:31	3.08
R_JMR_3330	0.307	83.7	01Apr2015, 13:32	2.93
JMR_3330	0.206	46.4	01Apr2015, 14:51	3.46

JMR_3310	0.058	11	01Apr2015, 13:37	1.95
J_JMR_3310	4.941	608.4	01Apr2015, 15:35	2.7
R_JMR_3300	4.941	601.4	01Apr2015, 16:25	2.7
JMR_3210	0.204	33.3	01Apr2015, 15:28	2.89
J_JMR_3210	0.204	33.3	01Apr2015, 15:28	2.89
R_JMR_3200	0.204	33.2	01Apr2015, 15:45	2.89
JMR_3200	0.113	40.3	01Apr2015, 12:51	2.15
JMR_3300	0.113	19.9	01Apr2015, 13:08	1.42
J_JMR_3200	5.371	657.3	01Apr2015, 16:12	2.66
R_JMR_3100	5.371	626.6	01Apr2015, 17:18	2.67
JMR_3100	0.502	37.6	01Apr2015, 19:14	2.12
J_JMR_3100	5.873	660.6	01Apr2015, 17:28	2.62
R_JMR_3000	5.873	660.3	01Apr2015, 17:45	2.62
JMR_3000	0.174	21.5	01Apr2015, 14:34	1.73
JMR_4000	0.071	30.7	01Apr2015, 12:41	2.16
J_JMR_3000	26.025	1275.9	01Apr2015, 23:33	2.02
R_JMR_2000	26.025	1274.7	02Apr2015, 00:04	2
JMR_2000	0.208	48.3	01Apr2015, 13:20	2.04
J_JMR_2000	26.233	1281.1	01Apr2015, 23:56	2
R_JMR_1000	26.233	1280.6	02Apr2015, 00:18	1.99
JMR_1000	0.14	18.3	01Apr2015, 12:58	0.98
OUT_JMR_1000	26.373	1282.9	02Apr2015, 00:12	1.98

Project: JohnsonsMillRun

Simulation Run: 25YR-EX(Sny)

Start of Run: 01Apr2015, 00:00

Basin Model: Johnsons Mill Run-EX(Snyder)

End of Run: 03Apr2015, 00:00

Meteorilgic Model: 25-YR

Compute Time: 16Dec2015, 12:40:34

Control Specifications: Control 1

Hydrologic Element	Drainage Area (MI2)	Peak Discharge (CFS)	Time of Peak	Volume (IN)
JMR_13563	1.076	108.6	01Apr2015, 22:39	3.5
J_JMR_13563	1.076	108.6	01Apr2015, 22:39	3.5
R_JMR_13562	1.076	101.4	01Apr2015, 23:23	3.41
JMR_13570	0.37	22.9	02Apr2015, 06:40	2.33
J_JMR_13570	0.37	22.9	02Apr2015, 06:40	2.33
R_JMR_13561	0.37	21.6	02Apr2015, 08:31	2.17
JMR_13562	0.111	20.9	01Apr2015, 16:38	4.14
JMR_13561	0.069	21.4	01Apr2015, 14:31	4.32
J_JMR_13561	1.626	135.3	01Apr2015, 23:02	3.22
R_JMR_13560	1.626	107.2	02Apr2015, 04:03	2.8
JMR_13552	0.591	46.9	02Apr2015, 02:44	2.96
JMR_13560	0.591	66.9	01Apr2015, 21:09	3.7
JMR_13553	0.295	58.6	01Apr2015, 16:59	4.6
J_JMR_13553	0.295	58.6	01Apr2015, 16:59	4.6
R_JMR_13552	0.295	45.7	01Apr2015, 17:37	4.22
J_JMR_13560	3.103	246.6	02Apr2015, 00:59	3.14
R_JMR_13550	3.103	246.1	02Apr2015, 01:52	3.11
JMR_13551	0.699	89.4	01Apr2015, 19:24	3.77
JMR_13541	0.573	86.4	01Apr2015, 17:44	3.8
JMR_13550	0.1	47.3	01Apr2015, 13:26	4.31
J_JMR_13550	4.475	396.5	01Apr2015, 22:25	3.33
R_JMR_13540	4.475	331.3	02Apr2015, 01:50	3.02
JMR_13533	0.939	49.6	02Apr2015, 07:17	1.98
JMR_13535	0.527	84.3	01Apr2015, 17:13	3.79
J_JMR_13535	0.527	84.3	01Apr2015, 17:13	3.79
R_JMR_13534	0.527	74.4	01Apr2015, 17:35	3.62
JMR_13534	0.192	42.7	01Apr2015, 15:18	3.81
J_JMR_13534	1.658	122.8	01Apr2015, 17:31	2.71
R_JMR_13533	1.658	78.1	02Apr2015, 05:53	2.1
JMR_13540	0.03	14.2	01Apr2015, 13:20	4.06
J_JMR_13540	6.163	408	02Apr2015, 02:17	2.78
R_JMR_13531	6.163	407.7	02Apr2015, 03:18	2.73
JMR_13532	1.08	147.9	01Apr2015, 18:52	3.87
JMR_13531	0.619	78.2	01Apr2015, 19:35	3.77
JMR_13542	0.486	195	01Apr2015, 14:01	4.75
J_JMR_13542	0.486	195	01Apr2015, 14:01	4.75
R_JMR_13532	0.486	121	01Apr2015, 14:12	4.17
J_JMR_13531	8.348	638.7	01Apr2015, 23:13	3.04

R_JMR_13530	8.348	637	02Apr2015, 00:41	2.95
JMR_13521	0.753	53.5	02Apr2015, 03:32	2.66
JMR_13530	0.144	21	01Apr2015, 17:57	3.77
J_JMR_13530	9.245	701.8	02Apr2015, 01:06	2.94
R_JMR_13520	9.245	641.2	02Apr2015, 02:40	2.76
JMR_13520	1.809	97.6	02Apr2015, 07:07	2.02
J_JMR_13520	11.054	727.2	02Apr2015, 03:32	2.64
R_JMR_13600	11.054	726	02Apr2015, 04:17	2.58
JMR_13610	0.58	69.8	01Apr2015, 19:54	3.66
JMR_13620	0.259	29.2	01Apr2015, 18:30	3.02
J_JMR_13620	0.259	29.2	01Apr2015, 18:30	3.02
R_JMR_13610	0.259	28.6	01Apr2015, 20:17	2.96
J_JMR_13610	0.839	98.3	01Apr2015, 20:04	3.45
R_JMR_13700	0.839	98.3	01Apr2015, 20:10	3.44
JMR_13700	0.49	42.2	02Apr2015, 00:25	3.11
JMR_13500	0.482	53.4	01Apr2015, 20:23	3.47
JMR_13510	0.305	30	01Apr2015, 22:10	3.34
J_JMR_13510	0.305	30	01Apr2015, 22:10	3.34
R_JMR_13500	0.305	29.8	01Apr2015, 22:48	3.31
JMR_13600	0.276	65	01Apr2015, 15:35	4.3
J_JMR_13500	13.446	934	02Apr2015, 02:34	2.74
R_JMR_13400	13.446	933.4	02Apr2015, 03:05	2.7
JMR_13410	0.773	89.6	01Apr2015, 20:24	3.64
J_JMR_13410	0.773	89.6	01Apr2015, 20:24	3.64
R_JMR_13320	0.773	61.4	02Apr2015, 00:48	3.09
JMR_16000	0.579	57.4	01Apr2015, 22:18	3.39
J_JMR_16000	0.579	57.4	01Apr2015, 22:18	3.39
R_JMR_13310	0.579	44.1	02Apr2015, 01:30	2.97
JMR_13320	0.539	54.6	01Apr2015, 21:44	3.38
JMR_13310	0.188	44.6	01Apr2015, 15:16	4.03
J_JMR_13310	2.079	181.4	01Apr2015, 21:49	3.22
R_JMR_13300	2.079	181.4	01Apr2015, 22:00	3.21
JMR_13400	0.301	44.4	01Apr2015, 18:41	4.12
JMR_13300	0.059	10.2	01Apr2015, 17:35	4.31
J_JMR_13300	15.885	1139.8	02Apr2015, 02:13	2.8
R_JMR_13200	15.885	1081.9	02Apr2015, 03:03	2.69
JMR_13200	0.61	90.6	01Apr2015, 17:57	3.84
J_JMR_13200	16.495	1140.2	02Apr2015, 02:34	2.73
R_JMR_13100	16.495	1062.8	02Apr2015, 03:44	2.58
JMR_13100	0.509	102.8	01Apr2015, 16:31	4.36
J_JMR_13100	17.004	1108.6	02Apr2015, 03:03	2.63
R_JMR_13000	17.004	1107.8	02Apr2015, 03:35	2.59
JMR_15100	0.594	159.7	01Apr2015, 15:02	4.32
J_JMR_15100	0.594	159.7	01Apr2015, 15:02	4.32
R_JMR_15000	0.594	135.2	01Apr2015, 15:11	4.22
JMR_15000	0.243	80.7	01Apr2015, 14:25	4.51
J_JMR_15000	0.837	213.4	01Apr2015, 14:57	4.3

R_JMR_14000	0.837	190.9	01Apr2015, 15:04	4.26
JMR_13000	0.37	75.5	01Apr2015, 16:37	4.48
JMR_14000	0.035	32.1	01Apr2015, 12:47	5.35
J_JMR_13000	18.246	1211.2	02Apr2015, 02:00	2.71
R_JMR_12000	18.246	1210.9	02Apr2015, 02:25	2.68
JMR_11120	0.192	37.1	01Apr2015, 16:39	4.26
J_JMR_11120	0.192	37.1	01Apr2015, 16:39	4.26
R_JMR_11110	0.192	30.5	01Apr2015, 17:16	3.99
JMR_11110	0.071	38.4	01Apr2015, 13:29	5.06
J_JMR_11110	0.263	53.4	01Apr2015, 15:42	4.28
R_JMR_11100	0.263	53.4	01Apr2015, 15:49	4.28
JMR_11100	0.257	106.5	01Apr2015, 13:47	4.45
JMR_12000	0.171	61.6	01Apr2015, 14:27	4.95
J_JMR_12000	18.937	1259.2	02Apr2015, 01:29	2.74
R_JMR_11000	18.937	1227.5	02Apr2015, 01:52	2.69
JMR_11000	0.136	54.3	01Apr2015, 14:15	5.15
J_JMR_11000	19.073	1237.6	02Apr2015, 01:38	2.71
R_JMR_10000	19.073	1237.2	02Apr2015, 02:17	2.66
JMR_9000	0.214	56.8	01Apr2015, 14:17	3.45
JMR_10000	0.196	119.1	01Apr2015, 13:00	4.18
JMR_9100	0.052	11.1	01Apr2015, 13:42	2.27
J_JMR_9100	0.052	11.1	01Apr2015, 13:42	2.27
R_JMR_9000	0.052	11.1	01Apr2015, 14:00	2.27
J_JMR_9000	19.535	1252.5	02Apr2015, 01:49	2.68
R_JMR_8000	19.535	1245.2	02Apr2015, 03:05	2.67
JMR_7000	0.091	39.8	01Apr2015, 13:34	4.25
JMR_7100	0.086	52.7	01Apr2015, 12:51	3.69
J_JMR_7100	0.086	52.7	01Apr2015, 12:51	3.69
R_JMR_7000	0.086	49	01Apr2015, 13:29	3.67
JMR_8000	0.071	23.9	01Apr2015, 13:37	3.35
J_JMR_7000	19.783	1249.9	02Apr2015, 02:50	2.68
R_JMR_6000	19.783	1249.9	02Apr2015, 02:57	2.68
JMR_6000	0.027	15.8	01Apr2015, 12:50	3.49
J_JMR_6000	19.81	1250	02Apr2015, 02:56	2.68
R_JMR_5000	19.81	1249.9	02Apr2015, 03:03	2.67
JMR_5000	0.097	34.5	01Apr2015, 13:23	3.17
J_JMR_5000	19.907	1251.3	02Apr2015, 03:00	2.68
R_JMR_4000	19.907	1251.1	02Apr2015, 03:11	2.66
JMR_3360	0.637	59.6	01Apr2015, 21:36	3.1
JMR_3370	0.207	53.7	01Apr2015, 15:30	4.65
JMR_3380	0.198	58.8	01Apr2015, 15:00	4.76
J_JMR_3380	0.198	58.8	01Apr2015, 15:00	4.76
R_JMR_3370	0.198	54.9	01Apr2015, 15:24	4.72
J_JMR_3360	1.042	137.6	01Apr2015, 17:53	3.72
R_JMR_3356	1.042	108.9	01Apr2015, 19:55	3.49
JMR_3356	0.284	84.8	01Apr2015, 14:49	4.55
J_JMR_3356	1.326	175.3	01Apr2015, 16:21	3.72

R_JMR_3354	1.326	172.3	01Apr2015, 18:26	3.68
JMR_3354	0.337	103.2	01Apr2015, 14:18	3.99
JMR_3355	0.043	40.9	01Apr2015, 12:42	4.97
J_JMR_3354	1.706	252	01Apr2015, 16:46	3.78
R_JMR_3353	1.706	234.1	01Apr2015, 17:00	3.73
JMR_3353	0.093	86.8	01Apr2015, 12:44	5.14
J_JMR_3353	1.799	252.2	01Apr2015, 16:10	3.8
R_JMR_3352	1.799	251.3	01Apr2015, 16:52	3.79
JMR_3321	0.324	83.6	01Apr2015, 14:15	3.31
JMR_3320	0.232	93.9	01Apr2015, 14:07	4.96
J_JMR_3320	0.232	93.9	01Apr2015, 14:07	4.96
R_JMR_3319	0.232	93.6	01Apr2015, 14:24	4.96
JMR_3322	0.131	28.2	01Apr2015, 15:03	3.46
J_JMR_3322	0.131	28.2	01Apr2015, 15:03	3.46
R_JMR_3321	0.131	26.5	01Apr2015, 16:43	3.42
JMR_3319	0.026	37	01Apr2015, 12:22	4.71
J_JMR_3319	0.713	197	01Apr2015, 14:35	3.92
R_JMR_3317	0.713	176	01Apr2015, 15:30	3.92
JMR_3317	0.275	24.4	01Apr2015, 19:31	2.57
JMR_3318	0.272	27.4	01Apr2015, 18:09	2.56
J_JMR_3317	1.26	212.5	01Apr2015, 16:19	3.33
R_JMR_3351	1.26	212.5	01Apr2015, 16:20	3.33
JMR_3352	0.175	64.1	01Apr2015, 14:26	5.02
JMR_3351	0.052	13.4	01Apr2015, 15:11	4.28
J_JMR_3351	3.286	530.8	01Apr2015, 16:06	3.69
R_JMR_3350	3.286	528.6	01Apr2015, 16:20	3.69
JMR_3313	0.092	32.9	01Apr2015, 13:55	4.06
JMR_3350	0.08	34.4	01Apr2015, 13:49	4.72
J_JMR_3350	3.458	579.2	01Apr2015, 15:59	3.72
R_JMR_3312	3.458	558.5	01Apr2015, 16:07	3.71
JMR_11130	0.412	96	01Apr2015, 15:10	3.87
J_JMR_11130	0.412	96	01Apr2015, 15:10	3.87
R_JMR_3341	0.412	84	01Apr2015, 15:19	3.69
JMR_3341	0.112	31.5	01Apr2015, 14:49	4.29
J_JMR_3341	0.524	115.2	01Apr2015, 15:10	3.82
R_JMR_3340	0.524	96.1	01Apr2015, 19:21	3.74
JMR_3340	0.244	93.5	01Apr2015, 13:47	4.13
JMR_3312	0.144	102.1	01Apr2015, 13:10	5.59
J_JMR_3312	4.37	742.3	01Apr2015, 15:52	3.8
R_JMR_3310	4.37	694.5	01Apr2015, 16:08	3.78
JMR_3331	0.263	130.3	01Apr2015, 13:29	4.62
JMR_3332	0.044	6.8	01Apr2015, 14:50	2.34
J_JMR_3332	0.044	6.8	01Apr2015, 14:50	2.34
R_JMR_3331	0.044	6.6	01Apr2015, 16:21	2.31
J_JMR_3331	0.307	130.7	01Apr2015, 13:29	4.29
R_JMR_3330	0.307	117.2	01Apr2015, 13:31	4.13
JMR_3330	0.206	64.1	01Apr2015, 14:48	4.74

JMR_3310	0.058	17.5	01Apr2015, 13:34	2.95
J_JMR_3310	4.941	857.1	01Apr2015, 15:22	3.83
R_JMR_3300	4.941	851.1	01Apr2015, 16:05	3.83
JMR_3210	0.204	47.8	01Apr2015, 15:23	4.09
J_JMR_3210	0.204	47.8	01Apr2015, 15:23	4.09
R_JMR_3200	0.204	47.4	01Apr2015, 15:56	4.08
JMR_3200	0.113	62.3	01Apr2015, 12:49	3.21
JMR_3300	0.113	34.7	01Apr2015, 13:04	2.28
J_JMR_3200	5.371	936.2	01Apr2015, 15:52	3.79
R_JMR_3100	5.371	891.6	01Apr2015, 16:56	3.8
JMR_3100	0.502	56.2	01Apr2015, 18:56	3.13
J_JMR_3100	5.873	940.5	01Apr2015, 17:08	3.74
R_JMR_3000	5.873	940.2	01Apr2015, 17:23	3.74
JMR_3000	0.174	34.8	01Apr2015, 14:22	2.69
JMR_4000	0.071	47.3	01Apr2015, 12:39	3.22
J_JMR_3000	26.025	1850.2	01Apr2015, 20:39	2.91
R_JMR_2000	26.025	1844.5	01Apr2015, 21:00	2.88
JMR_2000	0.208	75.7	01Apr2015, 13:18	3.07
J_JMR_2000	26.233	1858.9	01Apr2015, 20:56	2.88
R_JMR_1000	26.233	1856.7	01Apr2015, 21:16	2.87
JMR_1000	0.14	36.2	01Apr2015, 12:53	1.7
OUT_JMR_1000	26.373	1861.5	01Apr2015, 21:15	2.86

Project: JohnsonsMillRun

Simulation Run: 50YR-EX(Sny)

Start of Run: 01Apr2015, 00:00

Basin Model: Johnsons Mill Run-EX(Snyder)

End of Run: 03Apr2015, 00:00

Meteorilgic Model: 50-YR

Compute Time: 16Dec2015, 12:40:34

Control Specifications: Control 1

Hydrologic Element	Drainage Area (MI2)	Peak Discharge (CFS)	Time of Peak	Volume (IN)
JMR_13563	1.076	136.4	01Apr2015, 22:33	4.39
J_JMR_13563	1.076	136.4	01Apr2015, 22:33	4.39
R_JMR_13562	1.076	127.4	01Apr2015, 23:12	4.28
JMR_13570	0.37	28.6	02Apr2015, 06:36	2.91
J_JMR_13570	0.37	28.6	02Apr2015, 06:36	2.91
R_JMR_13561	0.37	27	02Apr2015, 08:14	2.73
JMR_13562	0.111	26.6	01Apr2015, 16:34	5.22
JMR_13561	0.069	27.1	01Apr2015, 14:29	5.43
J_JMR_13561	1.626	170.1	01Apr2015, 22:49	4.04
R_JMR_13560	1.626	135.7	02Apr2015, 03:31	3.55
JMR_13552	0.591	58.4	02Apr2015, 02:39	3.7
JMR_13560	0.591	84.2	01Apr2015, 21:02	4.65
JMR_13553	0.295	73.1	01Apr2015, 16:56	5.73
J_JMR_13553	0.295	73.1	01Apr2015, 16:56	5.73
R_JMR_13552	0.295	56.1	01Apr2015, 17:36	5.19
J_JMR_13560	3.103	310.1	02Apr2015, 00:47	3.94
R_JMR_13550	3.103	309.7	02Apr2015, 01:34	3.91
JMR_13551	0.699	113.6	01Apr2015, 19:17	4.77
JMR_13541	0.573	110.7	01Apr2015, 17:38	4.84
JMR_13550	0.1	60	01Apr2015, 13:25	5.42
J_JMR_13550	4.475	502.3	01Apr2015, 22:13	4.19
R_JMR_13540	4.475	422.3	02Apr2015, 01:21	3.82
JMR_13533	0.939	63.1	02Apr2015, 07:11	2.52
JMR_13535	0.527	108.3	01Apr2015, 17:07	4.83
J_JMR_13535	0.527	108.3	01Apr2015, 17:07	4.83
R_JMR_13534	0.527	95.9	01Apr2015, 17:31	4.67
JMR_13534	0.192	55.1	01Apr2015, 15:15	4.87
J_JMR_13534	1.658	158.1	01Apr2015, 17:24	3.48
R_JMR_13533	1.658	102.9	02Apr2015, 05:13	2.78
JMR_13540	0.03	18.1	01Apr2015, 13:19	5.15
J_JMR_13540	6.163	523.7	02Apr2015, 01:43	3.55
R_JMR_13531	6.163	523.2	02Apr2015, 02:40	3.48
JMR_13532	1.08	187.8	01Apr2015, 18:46	4.89
JMR_13531	0.619	99.2	01Apr2015, 19:28	4.76
JMR_13542	0.486	243.3	01Apr2015, 14:00	5.9
J_JMR_13542	0.486	243.3	01Apr2015, 14:00	5.9
R_JMR_13532	0.486	154.3	01Apr2015, 14:09	5.28
J_JMR_13531	8.348	821.1	01Apr2015, 22:49	3.86

R_JMR_13530	8.348	819.6	01Apr2015, 23:57	3.76
JMR_13521	0.753	67.2	02Apr2015, 03:27	3.35
JMR_13530	0.144	26.9	01Apr2015, 17:51	4.8
J_JMR_13530	9.245	899.7	02Apr2015, 00:27	3.74
R_JMR_13520	9.245	823.8	02Apr2015, 02:04	3.53
JMR_13520	1.809	124	02Apr2015, 07:02	2.57
J_JMR_13520	11.054	930	02Apr2015, 03:01	3.37
R_JMR_13600	11.054	928.7	02Apr2015, 03:39	3.3
JMR_13610	0.58	88.7	01Apr2015, 19:47	4.64
JMR_13620	0.259	38.6	01Apr2015, 18:20	3.96
J_JMR_13620	0.259	38.6	01Apr2015, 18:20	3.96
R_JMR_13610	0.259	37.7	01Apr2015, 20:04	3.88
J_JMR_13610	0.839	126.4	01Apr2015, 19:54	4.41
R_JMR_13700	0.839	126.4	01Apr2015, 19:59	4.4
JMR_13700	0.49	53.2	02Apr2015, 00:17	3.92
JMR_13500	0.482	68.3	01Apr2015, 20:15	4.42
JMR_13510	0.305	38.1	01Apr2015, 22:01	4.23
J_JMR_13510	0.305	38.1	01Apr2015, 22:01	4.23
R_JMR_13500	0.305	37.8	01Apr2015, 22:38	4.2
JMR_13600	0.276	82.4	01Apr2015, 15:32	5.41
J_JMR_13500	13.446	1199.8	02Apr2015, 01:51	3.5
R_JMR_13400	13.446	1199.2	02Apr2015, 02:18	3.45
JMR_13410	0.773	113.7	01Apr2015, 20:16	4.6
J_JMR_13410	0.773	113.7	01Apr2015, 20:16	4.6
R_JMR_13320	0.773	79.2	02Apr2015, 01:00	4.03
JMR_16000	0.579	72.6	01Apr2015, 22:10	4.28
J_JMR_16000	0.579	72.6	01Apr2015, 22:10	4.28
R_JMR_13310	0.579	54.5	02Apr2015, 01:46	3.72
JMR_13320	0.539	69.3	01Apr2015, 21:36	4.29
JMR_13310	0.188	57.1	01Apr2015, 15:13	5.12
J_JMR_13310	2.079	229	01Apr2015, 21:48	4.11
R_JMR_13300	2.079	228.9	01Apr2015, 22:07	4.1
JMR_13400	0.301	55.9	01Apr2015, 18:37	5.17
JMR_13300	0.059	12.8	01Apr2015, 17:31	5.39
J_JMR_13300	15.885	1467.3	02Apr2015, 01:26	3.57
R_JMR_13200	15.885	1393.6	02Apr2015, 02:20	3.44
JMR_13200	0.61	115.8	01Apr2015, 17:51	4.87
J_JMR_13200	16.495	1471	02Apr2015, 01:48	3.5
R_JMR_13100	16.495	1373	02Apr2015, 02:59	3.32
JMR_13100	0.509	129.7	01Apr2015, 16:27	5.47
J_JMR_13100	17.004	1434.8	02Apr2015, 02:19	3.38
R_JMR_13000	17.004	1433.9	02Apr2015, 02:47	3.33
JMR_15100	0.594	202.3	01Apr2015, 14:59	5.43
J_JMR_15100	0.594	202.3	01Apr2015, 14:59	5.43
R_JMR_15000	0.594	173.8	01Apr2015, 15:08	5.34
JMR_15000	0.243	101.6	01Apr2015, 14:23	5.64
J_JMR_15000	0.837	272.1	01Apr2015, 14:55	5.42

R_JMR_14000	0.837	245.6	01Apr2015, 15:01	5.39
JMR_13000	0.37	94.8	01Apr2015, 16:34	5.6
JMR_14000	0.035	39.1	01Apr2015, 12:47	6.54
J_JMR_13000	18.246	1574.8	02Apr2015, 01:14	3.47
R_JMR_12000	18.246	1574.5	02Apr2015, 01:35	3.43
JMR_11120	0.192	47	01Apr2015, 16:36	5.36
J_JMR_11120	0.192	47	01Apr2015, 16:36	5.36
R_JMR_11110	0.192	38.8	01Apr2015, 17:06	5.07
JMR_11110	0.071	47.4	01Apr2015, 13:28	6.24
J_JMR_11110	0.263	66.9	01Apr2015, 15:41	5.38
R_JMR_11100	0.263	66.9	01Apr2015, 15:53	5.38
JMR_11100	0.257	134.2	01Apr2015, 13:46	5.58
JMR_12000	0.171	76.3	01Apr2015, 14:26	6.11
J_JMR_12000	18.937	1642.6	02Apr2015, 00:47	3.51
R_JMR_11000	18.937	1601.8	02Apr2015, 01:05	3.45
JMR_11000	0.136	66.8	01Apr2015, 14:14	6.33
J_JMR_11000	19.073	1616	02Apr2015, 00:55	3.47
R_JMR_10000	19.073	1615.4	02Apr2015, 01:29	3.41
JMR_9000	0.214	74.7	01Apr2015, 14:14	4.47
JMR_10000	0.196	151.4	01Apr2015, 12:59	5.28
JMR_9100	0.052	15.8	01Apr2015, 13:38	3.11
J_JMR_9100	0.052	15.8	01Apr2015, 13:38	3.11
R_JMR_9000	0.052	15.8	01Apr2015, 13:55	3.11
J_JMR_9000	19.535	1640.3	02Apr2015, 01:00	3.44
R_JMR_8000	19.535	1629.3	02Apr2015, 02:14	3.43
JMR_7000	0.091	50.6	01Apr2015, 13:33	5.36
JMR_7100	0.086	68.3	01Apr2015, 12:50	4.74
J_JMR_7100	0.086	68.3	01Apr2015, 12:50	4.74
R_JMR_7000	0.086	60.9	01Apr2015, 13:42	4.69
JMR_8000	0.071	31.6	01Apr2015, 13:35	4.36
J_JMR_7000	19.783	1637.7	02Apr2015, 01:59	3.44
R_JMR_6000	19.783	1637.6	02Apr2015, 02:06	3.44
JMR_6000	0.027	20.7	01Apr2015, 12:50	4.51
J_JMR_6000	19.81	1638	02Apr2015, 02:04	3.44
R_JMR_5000	19.81	1637.9	02Apr2015, 02:12	3.43
JMR_5000	0.097	46.1	01Apr2015, 13:21	4.15
J_JMR_5000	19.907	1640.3	02Apr2015, 02:07	3.43
R_JMR_4000	19.907	1640.1	02Apr2015, 02:18	3.42
JMR_3360	0.637	76.8	01Apr2015, 21:26	3.98
JMR_3370	0.207	67.2	01Apr2015, 15:27	5.79
JMR_3380	0.198	73.3	01Apr2015, 14:58	5.91
J_JMR_3380	0.198	73.3	01Apr2015, 14:58	5.91
R_JMR_3370	0.198	66.7	01Apr2015, 15:24	5.83
J_JMR_3360	1.042	173.3	01Apr2015, 18:09	4.69
R_JMR_3356	1.042	138.6	01Apr2015, 19:42	4.45
JMR_3356	0.284	106.6	01Apr2015, 14:47	5.68
J_JMR_3356	1.326	220.8	01Apr2015, 16:20	4.71

R_JMR_3354	1.326	217.2	01Apr2015, 18:27	4.67
JMR_3354	0.337	132.5	01Apr2015, 14:16	5.07
JMR_3355	0.043	50.4	01Apr2015, 12:41	6.14
J_JMR_3354	1.706	316.7	01Apr2015, 16:52	4.79
R_JMR_3353	1.706	296.9	01Apr2015, 17:05	4.76
JMR_3353	0.093	106.3	01Apr2015, 12:44	6.32
J_JMR_3353	1.799	317.2	01Apr2015, 16:30	4.84
R_JMR_3352	1.799	315.9	01Apr2015, 17:11	4.83
JMR_3321	0.324	110.7	01Apr2015, 14:12	4.31
JMR_3320	0.232	116.3	01Apr2015, 14:06	6.13
J_JMR_3320	0.232	116.3	01Apr2015, 14:06	6.13
R_JMR_3319	0.232	115.8	01Apr2015, 14:25	6.13
JMR_3322	0.131	37	01Apr2015, 14:59	4.48
J_JMR_3322	0.131	37	01Apr2015, 14:59	4.48
R_JMR_3321	0.131	34.7	01Apr2015, 16:34	4.43
JMR_3319	0.026	45.9	01Apr2015, 12:22	5.85
J_JMR_3319	0.713	253.8	01Apr2015, 14:32	4.98
R_JMR_3317	0.713	226.5	01Apr2015, 15:22	4.97
JMR_3317	0.275	32.8	01Apr2015, 19:18	3.42
JMR_3318	0.272	37.1	01Apr2015, 17:56	3.44
J_JMR_3317	1.26	275.5	01Apr2015, 16:14	4.3
R_JMR_3351	1.26	275.4	01Apr2015, 16:16	4.3
JMR_3352	0.175	79.3	01Apr2015, 14:25	6.19
JMR_3351	0.052	16.9	01Apr2015, 15:08	5.39
J_JMR_3351	3.286	670.6	01Apr2015, 16:16	4.71
R_JMR_3350	3.286	669.2	01Apr2015, 16:26	4.71
JMR_3313	0.092	42.1	01Apr2015, 13:53	5.15
JMR_3350	0.08	43	01Apr2015, 13:48	5.86
J_JMR_3350	3.458	731.3	01Apr2015, 16:04	4.74
R_JMR_3312	3.458	707.4	01Apr2015, 16:11	4.73
JMR_11130	0.412	123.7	01Apr2015, 15:07	4.94
J_JMR_11130	0.412	123.7	01Apr2015, 15:07	4.94
R_JMR_3341	0.412	108.7	01Apr2015, 15:14	4.76
JMR_3341	0.112	40	01Apr2015, 14:47	5.4
J_JMR_3341	0.524	148.2	01Apr2015, 15:07	4.9
R_JMR_3340	0.524	127	01Apr2015, 18:49	4.87
JMR_3340	0.244	119.4	01Apr2015, 13:46	5.23
JMR_3312	0.144	123.7	01Apr2015, 13:10	6.79
J_JMR_3312	4.37	940	01Apr2015, 16:03	4.84
R_JMR_3310	4.37	885.6	01Apr2015, 16:18	4.8
JMR_3331	0.263	163.1	01Apr2015, 13:28	5.76
JMR_3332	0.044	9.6	01Apr2015, 14:41	3.19
J_JMR_3332	0.044	9.6	01Apr2015, 14:41	3.19
R_JMR_3331	0.044	9.1	01Apr2015, 16:09	3.16
J_JMR_3331	0.307	163.9	01Apr2015, 13:29	5.38
R_JMR_3330	0.307	147.5	01Apr2015, 13:31	5.21
JMR_3330	0.206	80.1	01Apr2015, 14:47	5.89

JMR_3310	0.058	23.7	01Apr2015, 13:32	3.9
J_JMR_3310	4.941	1086.2	01Apr2015, 15:19	4.86
R_JMR_3300	4.941	1080.7	01Apr2015, 16:01	4.86
JMR_3210	0.204	61	01Apr2015, 15:20	5.18
J_JMR_3210	0.204	61	01Apr2015, 15:20	5.18
R_JMR_3200	0.204	60.2	01Apr2015, 16:02	5.17
JMR_3200	0.113	82.9	01Apr2015, 12:48	4.19
JMR_3300	0.113	49.4	01Apr2015, 13:02	3.12
J_JMR_3200	5.371	1191.7	01Apr2015, 15:44	4.82
R_JMR_3100	5.371	1140.1	01Apr2015, 16:48	4.83
JMR_3100	0.502	73.6	01Apr2015, 18:46	4.07
J_JMR_3100	5.873	1203.5	01Apr2015, 17:01	4.76
R_JMR_3000	5.873	1203.2	01Apr2015, 17:15	4.76
JMR_3000	0.174	47.8	01Apr2015, 14:18	3.6
JMR_4000	0.071	62.8	01Apr2015, 12:38	4.21
J_JMR_3000	26.025	2392.5	01Apr2015, 23:22	3.73
R_JMR_2000	26.025	2380.7	02Apr2015, 00:26	3.69
JMR_2000	0.208	101.7	01Apr2015, 13:16	4.04
J_JMR_2000	26.233	2391	02Apr2015, 00:19	3.7
R_JMR_1000	26.233	2389.6	02Apr2015, 00:40	3.68
JMR_1000	0.14	55.1	01Apr2015, 12:51	2.43
OUT_JMR_1000	26.373	2393.3	02Apr2015, 00:31	3.67

Project: JohnsonsMillRun

Simulation Run: 100YR-EX(Sny)

Start of Run: 01Apr2015, 00:00

Basin Model: Johnsons Mill Run-EX(Snyder)

End of Run: 03Apr2015, 00:00

Meteorilgic Model: 100-YR

Compute Time: 16Dec2015, 12:40:34

Control Specifications: Control 1

Hydrologic Element	Drainage Area (MI2)	Peak Discharge (CFS)	Time of Peak	Volume (IN)
JMR_13563	1.076	167.7	01Apr2015, 22:28	5.39
J_JMR_13563	1.076	167.7	01Apr2015, 22:28	5.39
R_JMR_13562	1.076	156.8	01Apr2015, 23:02	5.26
JMR_13570	0.37	35	02Apr2015, 06:34	3.58
J_JMR_13570	0.37	35	02Apr2015, 06:34	3.58
R_JMR_13561	0.37	32.3	02Apr2015, 07:50	3.32
JMR_13562	0.111	33.1	01Apr2015, 16:31	6.45
JMR_13561	0.069	33.5	01Apr2015, 14:27	6.69
J_JMR_13561	1.626	209.6	01Apr2015, 22:38	4.96
R_JMR_13560	1.626	167.8	02Apr2015, 02:56	4.37
JMR_13552	0.591	71.4	02Apr2015, 02:35	4.52
JMR_13560	0.591	103.8	01Apr2015, 20:58	5.72
JMR_13553	0.295	89.4	01Apr2015, 16:54	6.99
J_JMR_13553	0.295	89.4	01Apr2015, 16:54	6.99
R_JMR_13552	0.295	68.5	01Apr2015, 17:34	6.38
J_JMR_13560	3.103	382.3	02Apr2015, 00:36	4.85
R_JMR_13550	3.103	381.8	02Apr2015, 01:19	4.8
JMR_13551	0.699	141.1	01Apr2015, 19:13	5.9
JMR_13541	0.573	138.4	01Apr2015, 17:34	6.02
JMR_13550	0.1	74.2	01Apr2015, 13:24	6.68
J_JMR_13550	4.475	622.8	01Apr2015, 21:58	5.17
R_JMR_13540	4.475	526.5	02Apr2015, 00:54	4.72
JMR_13533	0.939	78.5	02Apr2015, 07:08	3.14
JMR_13535	0.527	135.7	01Apr2015, 17:03	6.02
J_JMR_13535	0.527	135.7	01Apr2015, 17:03	6.02
R_JMR_13534	0.527	120.4	01Apr2015, 17:23	5.86
JMR_13534	0.192	69.4	01Apr2015, 15:13	6.08
J_JMR_13534	1.658	198.4	01Apr2015, 17:15	4.35
R_JMR_13533	1.658	129.6	02Apr2015, 04:28	3.52
JMR_13540	0.03	22.6	01Apr2015, 13:18	6.38
J_JMR_13540	6.163	654.4	02Apr2015, 01:14	4.4
R_JMR_13531	6.163	653.8	02Apr2015, 02:09	4.32
JMR_13532	1.08	233	01Apr2015, 18:42	6.05
JMR_13531	0.619	123.1	01Apr2015, 19:24	5.89
JMR_13542	0.486	297.3	01Apr2015, 13:59	7.19
J_JMR_13542	0.486	297.3	01Apr2015, 13:59	7.19
R_JMR_13532	0.486	192.7	01Apr2015, 14:09	6.56
J_JMR_13531	8.348	1029.6	01Apr2015, 22:18	4.79

R_JMR_13530	8.348	1027.7	01Apr2015, 23:21	4.67
JMR_13521	0.753	82.7	02Apr2015, 03:22	4.13
JMR_13530	0.144	33.7	01Apr2015, 17:46	5.97
J_JMR_13530	9.245	1124.5	01Apr2015, 23:53	4.65
R_JMR_13520	9.245	1032	02Apr2015, 01:33	4.4
JMR_13520	1.809	153.9	02Apr2015, 06:58	3.2
J_JMR_13520	11.054	1160.6	02Apr2015, 02:35	4.2
R_JMR_13600	11.054	1159.2	02Apr2015, 03:09	4.12
JMR_13610	0.58	110.2	01Apr2015, 19:42	5.75
JMR_13620	0.259	49.4	01Apr2015, 18:11	5.04
J_JMR_13620	0.259	49.4	01Apr2015, 18:11	5.04
R_JMR_13610	0.259	48.3	01Apr2015, 19:53	4.95
J_JMR_13610	0.839	158.5	01Apr2015, 19:46	5.5
R_JMR_13700	0.839	158.5	01Apr2015, 19:52	5.5
JMR_13700	0.49	65.6	02Apr2015, 00:11	4.84
JMR_13500	0.482	85.2	01Apr2015, 20:09	5.5
JMR_13510	0.305	47.2	01Apr2015, 21:55	5.24
J_JMR_13510	0.305	47.2	01Apr2015, 21:55	5.24
R_JMR_13500	0.305	46.9	01Apr2015, 22:31	5.2
JMR_13600	0.276	102	01Apr2015, 15:30	6.67
J_JMR_13500	13.446	1502.4	02Apr2015, 01:20	4.36
R_JMR_13400	13.446	1501.8	02Apr2015, 01:44	4.3
JMR_13410	0.773	141	01Apr2015, 20:11	5.69
J_JMR_13410	0.773	141	01Apr2015, 20:11	5.69
R_JMR_13320	0.773	99.1	02Apr2015, 00:48	5.07
JMR_16000	0.579	89.8	01Apr2015, 22:04	5.29
J_JMR_16000	0.579	89.8	01Apr2015, 22:04	5.29
R_JMR_13310	0.579	67.3	02Apr2015, 01:45	4.64
JMR_13320	0.539	86.1	01Apr2015, 21:30	5.32
JMR_13310	0.188	71.3	01Apr2015, 15:11	6.35
J_JMR_13310	2.079	284.4	01Apr2015, 21:45	5.13
R_JMR_13300	2.079	284.3	01Apr2015, 22:06	5.12
JMR_13400	0.301	68.9	01Apr2015, 18:33	6.35
JMR_13300	0.059	15.8	01Apr2015, 17:28	6.62
J_JMR_13300	15.885	1838.6	02Apr2015, 00:53	4.45
R_JMR_13200	15.885	1749.4	02Apr2015, 01:47	4.3
JMR_13200	0.61	144.5	01Apr2015, 17:46	6.05
J_JMR_13200	16.495	1848.5	02Apr2015, 01:13	4.37
R_JMR_13100	16.495	1729.5	02Apr2015, 02:22	4.16
JMR_13100	0.509	160	01Apr2015, 16:25	6.72
J_JMR_13100	17.004	1809.5	02Apr2015, 01:43	4.23
R_JMR_13000	17.004	1808.5	02Apr2015, 02:08	4.17
JMR_15100	0.594	250.5	01Apr2015, 14:57	6.69
J_JMR_15100	0.594	250.5	01Apr2015, 14:57	6.69
R_JMR_15000	0.594	217.7	01Apr2015, 15:05	6.61
JMR_15000	0.243	125.1	01Apr2015, 14:22	6.91
J_JMR_15000	0.837	338.8	01Apr2015, 14:53	6.7

R_JMR_14000	0.837	308.2	01Apr2015, 14:57	6.66
JMR_13000	0.37	116.6	01Apr2015, 16:31	6.85
JMR_14000	0.035	46.9	01Apr2015, 12:47	7.86
J_JMR_13000	18.246	1992.3	02Apr2015, 00:35	4.35
R_JMR_12000	18.246	1991.9	02Apr2015, 00:55	4.3
JMR_11120	0.192	58.1	01Apr2015, 16:33	6.6
J_JMR_11120	0.192	58.1	01Apr2015, 16:33	6.6
R_JMR_11110	0.192	48.5	01Apr2015, 17:06	6.32
JMR_11110	0.071	57.3	01Apr2015, 13:28	7.55
J_JMR_11110	0.263	82.3	01Apr2015, 15:40	6.65
R_JMR_11100	0.263	82.2	01Apr2015, 15:56	6.65
JMR_11100	0.257	165.4	01Apr2015, 13:45	6.84
JMR_12000	0.171	92.8	01Apr2015, 14:25	7.42
J_JMR_12000	18.937	2081.8	02Apr2015, 00:13	4.4
R_JMR_11000	18.937	2032	02Apr2015, 00:33	4.32
JMR_11000	0.136	80.7	01Apr2015, 14:13	7.65
J_JMR_11000	19.073	2050.4	02Apr2015, 00:23	4.34
R_JMR_10000	19.073	2049.8	02Apr2015, 00:52	4.27
JMR_9000	0.214	95.4	01Apr2015, 14:12	5.64
JMR_10000	0.196	187.9	01Apr2015, 12:59	6.52
JMR_9100	0.052	21.5	01Apr2015, 13:36	4.11
J_JMR_9100	0.052	21.5	01Apr2015, 13:36	4.11
R_JMR_9000	0.052	21.4	01Apr2015, 13:51	4.11
J_JMR_9000	19.535	2086.3	02Apr2015, 00:24	4.31
R_JMR_8000	19.535	2071.5	02Apr2015, 01:37	4.29
JMR_7000	0.091	62.7	01Apr2015, 13:32	6.61
JMR_7100	0.086	86.2	01Apr2015, 12:50	5.94
J_JMR_7100	0.086	86.2	01Apr2015, 12:50	5.94
R_JMR_7000	0.086	75	01Apr2015, 13:49	5.87
JMR_8000	0.071	40.5	01Apr2015, 13:33	5.52
J_JMR_7000	19.783	2084.8	02Apr2015, 01:19	4.31
R_JMR_6000	19.783	2084.7	02Apr2015, 01:26	4.3
JMR_6000	0.027	26.3	01Apr2015, 12:49	5.69
J_JMR_6000	19.81	2085.3	02Apr2015, 01:25	4.31
R_JMR_5000	19.81	2084.5	02Apr2015, 01:43	4.29
JMR_5000	0.097	59.6	01Apr2015, 13:20	5.28
J_JMR_5000	19.907	2088.3	02Apr2015, 01:37	4.3
R_JMR_4000	19.907	2086.8	02Apr2015, 02:02	4.28
JMR_3360	0.637	96.5	01Apr2015, 21:18	4.99
JMR_3370	0.207	82.4	01Apr2015, 15:25	7.08
JMR_3380	0.198	89.6	01Apr2015, 14:57	7.2
J_JMR_3380	0.198	89.6	01Apr2015, 14:57	7.2
R_JMR_3370	0.198	80.4	01Apr2015, 15:26	7.1
J_JMR_3360	1.042	213.7	01Apr2015, 18:14	5.8
R_JMR_3356	1.042	172.9	01Apr2015, 19:46	5.52
JMR_3356	0.284	131.1	01Apr2015, 14:46	6.96
J_JMR_3356	1.326	272.8	01Apr2015, 16:18	5.82

R_JMR_3354	1.326	268.9	01Apr2015, 18:20	5.78
JMR_3354	0.337	165.9	01Apr2015, 14:14	6.3
JMR_3355	0.043	60.9	01Apr2015, 12:41	7.44
J_JMR_3354	1.706	392	01Apr2015, 16:52	5.92
R_JMR_3353	1.706	368.6	01Apr2015, 17:03	5.89
JMR_3353	0.093	128	01Apr2015, 12:44	7.63
J_JMR_3353	1.799	392.6	01Apr2015, 16:34	5.98
R_JMR_3352	1.799	390.7	01Apr2015, 17:13	5.97
JMR_3321	0.324	142.1	01Apr2015, 14:10	5.47
JMR_3320	0.232	141.3	01Apr2015, 14:05	7.43
J_JMR_3320	0.232	141.3	01Apr2015, 14:05	7.43
R_JMR_3319	0.232	140.6	01Apr2015, 14:25	7.43
JMR_3322	0.131	47.1	01Apr2015, 14:56	5.65
J_JMR_3322	0.131	47.1	01Apr2015, 14:56	5.65
R_JMR_3321	0.131	44.1	01Apr2015, 16:26	5.6
JMR_3319	0.026	55.8	01Apr2015, 12:21	7.14
J_JMR_3319	0.713	318.6	01Apr2015, 14:30	6.19
R_JMR_3317	0.713	285.3	01Apr2015, 15:13	6.18
JMR_3317	0.275	42.7	01Apr2015, 19:07	4.43
JMR_3318	0.272	48.7	01Apr2015, 17:45	4.47
J_JMR_3317	1.26	348.1	01Apr2015, 16:08	5.43
R_JMR_3351	1.26	348.1	01Apr2015, 16:11	5.43
JMR_3352	0.175	96.2	01Apr2015, 14:24	7.49
JMR_3351	0.052	21	01Apr2015, 15:06	6.65
J_JMR_3351	3.286	832.9	01Apr2015, 16:19	5.85
R_JMR_3350	3.286	831.5	01Apr2015, 16:26	5.85
JMR_3313	0.092	52.6	01Apr2015, 13:52	6.38
JMR_3350	0.08	52.6	01Apr2015, 13:47	7.15
J_JMR_3350	3.458	907.7	01Apr2015, 16:01	5.9
R_JMR_3312	3.458	880.1	01Apr2015, 16:09	5.87
JMR_11130	0.412	155.3	01Apr2015, 15:05	6.16
J_JMR_11130	0.412	155.3	01Apr2015, 15:05	6.16
R_JMR_3341	0.412	137.1	01Apr2015, 15:11	5.98
JMR_3341	0.112	49.6	01Apr2015, 14:45	6.65
J_JMR_3341	0.524	186.2	01Apr2015, 15:04	6.12
R_JMR_3340	0.524	160	01Apr2015, 18:28	6.11
JMR_3340	0.244	148.7	01Apr2015, 13:45	6.47
JMR_3312	0.144	147.5	01Apr2015, 13:09	8.12
J_JMR_3312	4.37	1173.7	01Apr2015, 16:09	6.01
R_JMR_3310	4.37	1111.7	01Apr2015, 16:20	5.95
JMR_3331	0.263	199.9	01Apr2015, 13:27	7.04
JMR_3332	0.044	12.9	01Apr2015, 14:36	4.2
J_JMR_3332	0.044	12.9	01Apr2015, 14:36	4.2
R_JMR_3331	0.044	12.2	01Apr2015, 16:00	4.16
J_JMR_3331	0.307	201.8	01Apr2015, 13:30	6.62
R_JMR_3330	0.307	182.3	01Apr2015, 13:31	6.45
JMR_3330	0.206	97.9	01Apr2015, 14:45	7.18

JMR_3310	0.058	30.9	01Apr2015, 13:30	5.01
J_JMR_3310	4.941	1357.4	01Apr2015, 15:16	6.02
R_JMR_3300	4.941	1351.1	01Apr2015, 15:55	6.02
JMR_3210	0.204	76.1	01Apr2015, 15:18	6.41
J_JMR_3210	0.204	76.1	01Apr2015, 15:18	6.41
R_JMR_3200	0.204	74.8	01Apr2015, 16:03	6.4
JMR_3200	0.113	106.7	01Apr2015, 12:47	5.34
JMR_3300	0.113	67.1	01Apr2015, 13:01	4.12
J_JMR_3200	5.371	1492.2	01Apr2015, 15:38	5.98
R_JMR_3100	5.371	1430.3	01Apr2015, 16:38	5.98
JMR_3100	0.502	93.8	01Apr2015, 18:38	5.16
J_JMR_3100	5.873	1509.8	01Apr2015, 16:52	5.91
R_JMR_3000	5.873	1509.4	01Apr2015, 17:05	5.9
JMR_3000	0.174	63.1	01Apr2015, 14:15	4.66
JMR_4000	0.071	80.6	01Apr2015, 12:37	5.35
J_JMR_3000	26.025	3051.5	01Apr2015, 22:42	4.65
R_JMR_2000	26.025	3045.7	01Apr2015, 23:06	4.61
JMR_2000	0.208	132	01Apr2015, 13:15	5.16
J_JMR_2000	26.233	3061.6	01Apr2015, 23:05	4.62
R_JMR_1000	26.233	3054.9	01Apr2015, 23:25	4.59
JMR_1000	0.14	78.5	01Apr2015, 12:49	3.31
OUT_JMR_1000	26.373	3061.3	01Apr2015, 23:24	4.59

**PRIMARY SYSTEM
FUTURE
CONDITIONS:
HEC-HMS OUTPUT**

Project: ParkersCreek

Simulation Run: 2YR-FU(Sny)

Start of Run: 01Apr2015, 00:00

Basin Model: Parkers Creek-FU(Snyder)

End of Run: 03Apr2015, 00:00

Meteorilologic Model: 2-YR

Compute Time: 16Dec2015, 12:40:34

Control Specifications: Control 1

Hydrologic Element	Drainage Area (MI2)	Peak Discharge (CFS)	Time of Peak	Volume (IN)
PC_2800	0.293	29.8	01Apr2015, 15:05	1.65
PC_2910	0.097	12.3	01Apr2015, 14:04	1.54
J_PC_2910	0.097	12.3	01Apr2015, 14:04	1.54
R_PC_2900	0.097	12.3	01Apr2015, 14:10	1.54
PC_3100	0.091	15.4	01Apr2015, 13:34	1.65
J_PC_3100	0.091	15.4	01Apr2015, 13:34	1.65
R_PC_3000	0.091	13.6	01Apr2015, 13:36	1.58
PC_3000	0.042	5.7	01Apr2015, 14:05	1.66
PC_2900	0.015	2.8	01Apr2015, 13:27	1.7
J_PC_2900	0.245	33.8	01Apr2015, 13:58	1.59
R_PC_2800	0.245	24.5	01Apr2015, 14:11	1.44
J_PC_2800	0.538	53.6	01Apr2015, 14:50	1.55
R_PC_2700	0.538	43.4	01Apr2015, 15:04	1.45
PC_2700	0.302	39.1	01Apr2015, 14:45	1.94
PC_2620	0.131	23.6	01Apr2015, 13:38	1.81
J_PC_2620	0.131	23.6	01Apr2015, 13:38	1.81
R_PC_2610	0.131	11.7	01Apr2015, 14:05	1.35
PC_2610	0.107	16.1	01Apr2015, 14:17	1.96
J_PC_2700	1.078	109.6	01Apr2015, 14:46	1.62
R_PC_2600	1.078	105.4	01Apr2015, 14:49	1.62
PC_2520	0.299	21.3	01Apr2015, 16:33	1.5
PC_2521	0.271	8.9	02Apr2015, 00:02	1.16
J_PC_2521	0.271	8.9	02Apr2015, 00:02	1.16
R_PC_2520	0.271	8.9	02Apr2015, 00:53	1.13
PC_2530	0.25	21.3	01Apr2015, 16:27	1.8
PC_2540	0.131	7.3	01Apr2015, 18:18	1.46
J_PC_2540	0.131	7.3	01Apr2015, 18:18	1.46
R_PC_2530	0.131	7.3	01Apr2015, 19:17	1.44
J_PC_2520	0.951	51.7	01Apr2015, 18:03	1.47
R_PC_2510	0.951	51.7	01Apr2015, 18:14	1.46
PC_2510	0.103	29.3	01Apr2015, 12:56	1.85
J_PC_2510	1.054	58.8	01Apr2015, 16:45	1.5
R_PC_2500	1.054	58.8	01Apr2015, 16:50	1.5
PC_2600	0.012	3.9	01Apr2015, 12:58	2.14
PC_2500	0.011	4.3	01Apr2015, 12:38	1.86
J_PC_2500	2.155	161.2	01Apr2015, 15:48	1.56
R_PC_2400	2.155	149.6	01Apr2015, 16:21	1.56
PC_2300	0.325	78.5	01Apr2015, 13:17	2.02

PC_2400	0.081	16.5	01Apr2015, 13:25	1.84
PC_2310	0.056	10.8	01Apr2015, 13:49	2.1
J_PC_2310	0.056	10.8	01Apr2015, 13:49	2.1
J_PC_2300	2.617	216.2	01Apr2015, 15:14	1.64
R_PC_2200	2.617	211.4	01Apr2015, 16:11	1.64
R_PC_2300	0.056	9.1	01Apr2015, 16:25	2.04
PC_2200	0.084	27	01Apr2015, 12:50	1.91
J_PC_2200	2.701	220.6	01Apr2015, 15:43	1.65
R_PC_2100	2.701	220.5	01Apr2015, 15:53	1.64
PC_2410	0.14	29.9	01Apr2015, 13:29	1.98
J_PC_2410	0.14	29.9	01Apr2015, 13:29	1.98
R_PC_2010	0.14	29.5	01Apr2015, 13:57	1.98
PC_2010	0.125	30.2	01Apr2015, 13:09	1.85
J_PC_2010	0.265	56.3	01Apr2015, 13:44	1.92
R_PC_2000	0.265	47	01Apr2015, 13:46	1.72
PC_2100	0.234	27.8	01Apr2015, 15:34	2.17
PC_2000	0.068	8.2	01Apr2015, 14:45	1.8
J_PC_2000	3.268	293.1	01Apr2015, 14:54	1.69
R_PC_1900	3.268	293	01Apr2015, 15:02	1.69
PC_1820	0.061	13.1	01Apr2015, 13:28	2
PC_1830	0.013	4.1	01Apr2015, 12:47	1.79
J_PC_1830	0.013	4.1	01Apr2015, 12:47	1.79
R_PC_1820	0.013	4.1	01Apr2015, 12:54	1.78
J_PC_1820	0.074	16.7	01Apr2015, 13:22	1.96
R_PC_1810	0.074	16.7	01Apr2015, 13:28	1.96
PC_1810	0.053	15.4	01Apr2015, 12:59	1.96
J_PC_1810	0.127	31.1	01Apr2015, 13:17	1.96
R_PC_1800	0.127	31.1	01Apr2015, 13:19	1.96
PC_1800	0.077	17.9	01Apr2015, 13:11	1.83
PC_1900	0.026	17.6	01Apr2015, 12:20	2.07
J_PC_1800	3.498	332.2	01Apr2015, 14:28	1.71
R_PC_1700	3.498	309.3	01Apr2015, 16:27	1.71
PC_1620	0.106	15.1	01Apr2015, 14:46	2.14
J_PC_1620	0.106	15.1	01Apr2015, 14:46	2.14
R_PC_1610	0.106	15	01Apr2015, 14:59	2.14
PC_1610	0.08	26.5	01Apr2015, 12:56	2.14
J_PC_1610	0.186	31.7	01Apr2015, 13:44	2.14
R_PC_1600	0.186	31.7	01Apr2015, 13:49	2.14
PC_1700	0.186	30.9	01Apr2015, 13:45	1.77
PC_1600	0.034	9.4	01Apr2015, 13:06	2.06
J_PC_1600	3.904	360.6	01Apr2015, 15:51	1.73
R_PC_1500	3.904	354.8	01Apr2015, 16:43	1.73
PC_1500	0.129	21.9	01Apr2015, 13:27	1.57
J_PC_1500	4.033	367.3	01Apr2015, 16:34	1.73
R_PC_1400	4.033	363.9	01Apr2015, 17:13	1.72
PC_571	0.27	9.6	01Apr2015, 19:41	1.02
J_PC_571	0.27	9.6	01Apr2015, 19:41	1.02

R_PC_1360	0.27	9.3	01Apr2015, 20:02	1.01
PC_1360	0.083	4.2	01Apr2015, 14:01	0.6
J_PC_1360	0.353	11.4	01Apr2015, 18:26	0.91
R_PC_1350	0.353	11.4	01Apr2015, 19:02	0.91
PC_1370	0.092	5.9	01Apr2015, 15:11	1.02
J_PC_1370	0.092	5.9	01Apr2015, 15:11	1.02
R_PC_1327	0.092	5.9	01Apr2015, 15:18	1.02
PC_1327	0.047	11.6	01Apr2015, 12:39	1.21
J_PC_1327	0.139	12.2	01Apr2015, 12:44	1.08
R_PC_1325	0.139	9.3	01Apr2015, 14:43	1.04
PC_1326	0.106	18.6	01Apr2015, 13:41	1.8
J_PC_1326	0.106	18.6	01Apr2015, 13:41	1.8
R_PC_1324	0.106	18.5	01Apr2015, 13:49	1.8
PC_1325	0.048	9.1	01Apr2015, 13:26	1.73
PC_1324	0.032	8.4	01Apr2015, 13:07	1.96
J_PC_1324	0.325	43.4	01Apr2015, 13:43	1.48
R_PC_1323	0.325	43.4	01Apr2015, 13:44	1.48
PC_1350	0.098	16.2	01Apr2015, 13:04	1.23
PC_1323	0.027	5.9	01Apr2015, 13:05	1.61
J_PC_1323	0.803	66.3	01Apr2015, 13:46	1.2
R_PC_1321	0.803	61	01Apr2015, 13:48	1.17
PC_1321	0.074	15.6	01Apr2015, 13:22	1.85
J_PC_1321	0.877	76	01Apr2015, 13:42	1.23
R_PC_1320	0.877	76	01Apr2015, 13:44	1.23
PC_1330	0.137	24.3	01Apr2015, 13:16	1.48
PC_1340	0.102	7.3	01Apr2015, 15:21	1.2
J_PC_1340	0.102	7.3	01Apr2015, 15:21	1.2
R_PC_1330	0.102	5.9	01Apr2015, 18:44	1.2
PC_1320	0.035	13.7	01Apr2015, 12:40	1.94
J_PC_1320	1.151	109.3	01Apr2015, 13:32	1.28
R_PC_1310	1.151	102.1	01Apr2015, 14:18	1.27
PC_1310	0.278	41.2	01Apr2015, 13:59	1.73
J_PC_1310	1.429	142.8	01Apr2015, 14:13	1.36
R_PC_1300	1.429	136.4	01Apr2015, 14:58	1.36
PC_1300	0.135	22.3	01Apr2015, 13:40	1.69
J_PC_L2	1.564	155.8	01Apr2015, 14:52	1.39
PC_1400	0.165	21.7	01Apr2015, 14:20	1.73
J_PC_1300	5.762	511.7	01Apr2015, 16:23	1.63
R_PC_1200	5.762	510	01Apr2015, 16:44	1.63
PC_1200	0.111	17.4	01Apr2015, 13:24	1.42
J_PC_1200	5.873	519.6	01Apr2015, 16:40	1.63
R_PC_1100	5.873	494.4	01Apr2015, 18:05	1.63
PC_1100	0.182	17.8	01Apr2015, 15:09	1.61
PC_1000	0.168	33.2	01Apr2015, 13:23	1.75
J_PC_1000	6.223	522.3	01Apr2015, 17:55	1.63
R_PC_900	6.223	513.6	01Apr2015, 18:45	1.63
PC_900	0.463	42.5	01Apr2015, 13:22	0.86

PC_810	0.208	36.8	01Apr2015, 13:34	1.73
PC_820	0.066	13.9	01Apr2015, 13:23	1.85
J_PC_820	0.066	13.9	01Apr2015, 13:23	1.85
R_PC_810	0.066	12.2	01Apr2015, 14:06	1.83
J_PC_810	0.274	48.4	01Apr2015, 13:41	1.75
R_PC_800	0.274	48.4	01Apr2015, 13:48	1.75
PC_800	0.16	46.4	01Apr2015, 12:44	1.56
J_PC_800	7.12	556.3	01Apr2015, 18:27	1.58
R_PC_700	7.12	553.1	01Apr2015, 18:55	1.58
PC_700	0.154	48.5	01Apr2015, 12:30	1.22
J_PC_700	7.274	556.9	01Apr2015, 18:54	1.57
R_PC_600	7.274	556.8	01Apr2015, 19:00	1.57
PC_570	0.416	34.1	01Apr2015, 14:13	1.05
PC_590	0.172	13.1	01Apr2015, 14:33	1.06
J_PC_590	0.172	13.1	01Apr2015, 14:33	1.06
R_PC_580	0.172	13	01Apr2015, 15:03	1.06
PC_580	0.124	10.6	01Apr2015, 13:22	0.81
J_PC_580	0.296	22	01Apr2015, 14:36	0.95
R_PC_570	0.296	21.4	01Apr2015, 15:35	0.95
J_PC_570	0.712	53.6	01Apr2015, 15:12	1.01
R_PC_560	0.712	53.6	01Apr2015, 15:18	1.01
PC_560	0.163	32.7	01Apr2015, 13:10	1.56
J_PC_560	0.875	75.4	01Apr2015, 14:49	1.11
R_PC_550	0.875	59.6	01Apr2015, 15:06	1.02
PC_550	0.535	31	01Apr2015, 17:26	1.36
J_PC_550	1.41	85.8	01Apr2015, 16:07	1.15
R_PC_540	1.41	61.5	01Apr2015, 17:01	0.99
PC_530	0.064	8.6	01Apr2015, 13:48	1.47
PC_531	0.027	7.9	01Apr2015, 12:39	1.42
J_PC_531	0.027	7.9	01Apr2015, 12:39	1.42
R_PC_530	0.027	7.9	01Apr2015, 12:45	1.42
PC_540	0.015	3.2	01Apr2015, 13:23	1.87
J_PC_530	1.516	70.7	01Apr2015, 16:28	1.03
R_PC_520	1.516	70.7	01Apr2015, 16:38	1.03
PC_520	0.029	8.1	01Apr2015, 12:52	1.69
J_PC_520	1.545	73	01Apr2015, 16:29	1.04
R_PC_510	1.545	73	01Apr2015, 16:30	1.04
PC_510	0.184	34.2	01Apr2015, 13:20	1.61
J_PC_510	1.729	93.4	01Apr2015, 15:37	1.1
R_PC_500	1.729	92.8	01Apr2015, 16:06	1.1
PC_500	0.216	19.8	01Apr2015, 13:43	0.99
J_PC_L1	1.945	108.6	01Apr2015, 15:40	1.09
PC_600	0.004	1.4	01Apr2015, 12:44	1.88
J_PC_500	9.223	646.1	01Apr2015, 18:44	1.47
R_PC_400	9.223	627.1	01Apr2015, 19:54	1.47
PC_400	0.28	47.3	01Apr2015, 12:39	0.85
J_PC_400	9.503	632.3	01Apr2015, 19:53	1.45

R_PC_300	9.503	632.2	01Apr2015, 19:57	1.45
PC_240	0.206	12.4	01Apr2015, 15:44	1.07
PC_250	0.117	3.1	01Apr2015, 16:28	0.48
J_PC_250	0.117	3.1	01Apr2015, 16:28	0.48
R_PC_240	0.117	3.1	01Apr2015, 16:45	0.48
J_PC_240	0.323	15.5	01Apr2015, 15:59	0.85
R_PC_230	0.323	15.4	01Apr2015, 16:41	0.85
PC_230	0.126	11	01Apr2015, 14:38	1.26
J_PC_230	0.449	25.5	01Apr2015, 16:05	0.96
R_PC_220	0.449	22.2	01Apr2015, 16:58	0.94
PC_220	0.273	5.6	01Apr2015, 17:56	0.45
J_PC_220	0.722	27.7	01Apr2015, 17:10	0.75
R_PC_210	0.722	22.6	01Apr2015, 18:01	0.69
PC_210	0.135	6.5	01Apr2015, 14:33	0.64
J_PC_210	0.857	27.6	01Apr2015, 17:14	0.68
R_PC_200	0.857	27.6	01Apr2015, 17:25	0.68
PC_200	0.099	6.2	01Apr2015, 13:34	0.66
PC_300	0.025	2	01Apr2015, 13:53	0.93
J_PC_200	10.484	660.7	01Apr2015, 19:52	1.38
R_PC_100	10.484	611.1	01Apr2015, 22:04	1.37
PC_100	0.129	10.8	01Apr2015, 13:44	0.91
OUT_PC_100	10.613	614.1	01Apr2015, 22:03	1.36

Project: ParkersCreek

Simulation Run: 10YR-FU(Sny)

Start of Run: 01Apr2015, 00:00

Basin Model: Parkers Creek-FU(Snyder)

End of Run: 03Apr2015, 00:00

Meteorilologic Model: 10-YR

Compute Time: 16Dec2015, 12:40:34

Control Specifications: Control 1

Hydrologic Element	Drainage Area (MI2)	Peak Discharge (CFS)	Time of Peak	Volume (IN)
PC_2800	0.293	62.9	01Apr2015, 14:54	3.34
PC_2910	0.097	26.8	01Apr2015, 13:58	3.2
J_PC_2910	0.097	26.8	01Apr2015, 13:58	3.2
R_PC_2900	0.097	26.8	01Apr2015, 14:03	3.2
PC_3100	0.091	32.5	01Apr2015, 13:30	3.35
J_PC_3100	0.091	32.5	01Apr2015, 13:30	3.35
R_PC_3000	0.091	29.2	01Apr2015, 13:31	3.24
PC_3000	0.042	12.1	01Apr2015, 13:59	3.36
PC_2900	0.015	5.8	01Apr2015, 13:23	3.42
J_PC_2900	0.245	72.6	01Apr2015, 13:52	3.26
R_PC_2800	0.245	52.3	01Apr2015, 13:59	2.85
J_PC_2800	0.538	112.7	01Apr2015, 14:41	3.12
R_PC_2700	0.538	90.6	01Apr2015, 14:55	2.99
PC_2700	0.302	77.4	01Apr2015, 14:39	3.73
PC_2620	0.131	48	01Apr2015, 13:34	3.56
J_PC_2620	0.131	48	01Apr2015, 13:34	3.56
R_PC_2610	0.131	28.4	01Apr2015, 13:47	3
PC_2610	0.107	31.8	01Apr2015, 14:12	3.76
J_PC_2700	1.078	225.8	01Apr2015, 14:39	3.28
R_PC_2600	1.078	217.7	01Apr2015, 14:41	3.27
PC_2520	0.299	46.1	01Apr2015, 16:10	3.13
PC_2521	0.271	18.7	01Apr2015, 23:22	2.42
J_PC_2521	0.271	18.7	01Apr2015, 23:22	2.42
R_PC_2520	0.271	18.6	02Apr2015, 00:14	2.38
PC_2530	0.25	43	01Apr2015, 16:13	3.54
PC_2540	0.131	15.6	01Apr2015, 17:50	3.04
J_PC_2540	0.131	15.6	01Apr2015, 17:50	3.04
R_PC_2530	0.131	15.5	01Apr2015, 18:46	3.01
J_PC_2520	0.951	108.2	01Apr2015, 17:37	3.01
R_PC_2510	0.951	108.1	01Apr2015, 17:46	3
PC_2510	0.103	58.8	01Apr2015, 12:54	3.62
J_PC_2510	1.054	123.2	01Apr2015, 16:20	3.06
R_PC_2500	1.054	123.2	01Apr2015, 16:24	3.06
PC_2600	0.012	7.3	01Apr2015, 12:56	3.99
PC_2500	0.011	8.7	01Apr2015, 12:36	3.63
J_PC_2500	2.155	333	01Apr2015, 15:31	3.17
R_PC_2400	2.155	311	01Apr2015, 16:02	3.18
PC_2300	0.325	152.5	01Apr2015, 13:15	3.84

PC_2400	0.081	33.3	01Apr2015, 13:22	3.6
PC_2310	0.056	20.7	01Apr2015, 13:45	3.94
J_PC_2310	0.056	20.7	01Apr2015, 13:45	3.94
J_PC_2300	2.617	445.4	01Apr2015, 14:49	3.29
R_PC_2200	2.617	415.7	01Apr2015, 16:30	3.29
R_PC_2300	0.056	17.3	01Apr2015, 15:58	3.86
PC_2200	0.084	53.3	01Apr2015, 12:48	3.7
J_PC_2200	2.701	429.9	01Apr2015, 16:18	3.3
R_PC_2100	2.701	429.4	01Apr2015, 16:29	3.3
PC_2410	0.14	58.6	01Apr2015, 13:26	3.79
J_PC_2410	0.14	58.6	01Apr2015, 13:26	3.79
R_PC_2010	0.14	56.6	01Apr2015, 14:13	3.78
PC_2010	0.125	60.9	01Apr2015, 13:06	3.61
J_PC_2010	0.265	107.7	01Apr2015, 13:40	3.7
R_PC_2000	0.265	91.6	01Apr2015, 13:46	3.48
PC_2100	0.234	52.6	01Apr2015, 15:27	4.02
PC_2000	0.068	16.7	01Apr2015, 14:38	3.55
J_PC_2000	3.268	555.7	01Apr2015, 15:51	3.37
R_PC_1900	3.268	555.1	01Apr2015, 16:04	3.37
PC_1820	0.061	25.7	01Apr2015, 13:25	3.81
PC_1830	0.013	8.4	01Apr2015, 12:45	3.53
J_PC_1830	0.013	8.4	01Apr2015, 12:45	3.53
R_PC_1820	0.013	8.4	01Apr2015, 12:51	3.53
J_PC_1820	0.074	32.8	01Apr2015, 13:20	3.76
R_PC_1810	0.074	32.8	01Apr2015, 13:24	3.76
PC_1810	0.053	30.3	01Apr2015, 12:57	3.76
J_PC_1810	0.127	61	01Apr2015, 13:13	3.76
R_PC_1800	0.127	61	01Apr2015, 13:14	3.76
PC_1800	0.077	36.3	01Apr2015, 13:08	3.59
PC_1900	0.026	33.3	01Apr2015, 12:19	3.91
J_PC_1800	3.498	608.8	01Apr2015, 15:35	3.39
R_PC_1700	3.498	578	01Apr2015, 17:08	3.39
PC_1620	0.106	28.7	01Apr2015, 14:41	3.99
J_PC_1620	0.106	28.7	01Apr2015, 14:41	3.99
R_PC_1610	0.106	28.6	01Apr2015, 14:52	3.99
PC_1610	0.08	50.1	01Apr2015, 12:54	3.99
J_PC_1610	0.186	61.2	01Apr2015, 13:10	3.99
R_PC_1600	0.186	61.2	01Apr2015, 13:16	3.99
PC_1700	0.186	63.5	01Apr2015, 13:41	3.51
PC_1600	0.034	18.2	01Apr2015, 13:04	3.88
J_PC_1600	3.904	661.8	01Apr2015, 16:33	3.43
R_PC_1500	3.904	651.2	01Apr2015, 17:26	3.43
PC_1500	0.129	47.3	01Apr2015, 13:23	3.24
J_PC_1500	4.033	672.2	01Apr2015, 17:16	3.42
R_PC_1400	4.033	658.2	01Apr2015, 18:18	3.41
PC_571	0.27	22.9	01Apr2015, 18:58	2.37
J_PC_571	0.27	22.9	01Apr2015, 18:58	2.37

R_PC_1360	0.27	22	01Apr2015, 19:16	2.34
PC_1360	0.083	14.5	01Apr2015, 13:31	1.71
J_PC_1360	0.353	28.2	01Apr2015, 18:00	2.19
R_PC_1350	0.353	28.1	01Apr2015, 18:23	2.18
PC_1370	0.092	15	01Apr2015, 14:43	2.41
J_PC_1370	0.092	15	01Apr2015, 14:43	2.41
R_PC_1327	0.092	15	01Apr2015, 14:48	2.41
PC_1327	0.047	28.1	01Apr2015, 12:36	2.72
J_PC_1327	0.139	30.7	01Apr2015, 12:41	2.52
R_PC_1325	0.139	23.4	01Apr2015, 14:16	2.47
PC_1326	0.106	37.9	01Apr2015, 13:36	3.55
J_PC_1326	0.106	37.9	01Apr2015, 13:36	3.55
R_PC_1324	0.106	37.9	01Apr2015, 13:44	3.55
PC_1325	0.048	18.9	01Apr2015, 13:22	3.46
PC_1324	0.032	16.5	01Apr2015, 13:04	3.76
J_PC_1324	0.325	93.9	01Apr2015, 13:36	3.09
R_PC_1323	0.325	93.9	01Apr2015, 13:37	3.09
PC_1350	0.098	39.3	01Apr2015, 13:00	2.74
PC_1323	0.027	12.7	01Apr2015, 13:02	3.28
J_PC_1323	0.803	154.1	01Apr2015, 13:35	2.65
R_PC_1321	0.803	141.8	01Apr2015, 13:37	2.61
PC_1321	0.074	31.5	01Apr2015, 13:19	3.61
J_PC_1321	0.877	172.5	01Apr2015, 13:33	2.7
R_PC_1320	0.877	172.5	01Apr2015, 13:34	2.7
PC_1330	0.137	54	01Apr2015, 13:11	3.1
PC_1340	0.102	17.5	01Apr2015, 14:57	2.7
J_PC_1340	0.102	17.5	01Apr2015, 14:57	2.7
R_PC_1330	0.102	13.7	01Apr2015, 18:20	2.7
PC_1320	0.035	26.7	01Apr2015, 12:39	3.74
J_PC_1320	1.151	245.6	01Apr2015, 13:24	2.78
R_PC_1310	1.151	225.1	01Apr2015, 14:13	2.77
PC_1310	0.278	85.4	01Apr2015, 13:54	3.46
J_PC_1310	1.429	309.5	01Apr2015, 14:07	2.91
R_PC_1300	1.429	303.4	01Apr2015, 14:34	2.91
PC_1300	0.135	46.8	01Apr2015, 13:35	3.4
J_PC_L2	1.564	345.2	01Apr2015, 14:29	2.95
PC_1400	0.165	44.9	01Apr2015, 14:13	3.46
J_PC_1300	5.762	922	01Apr2015, 16:42	3.29
R_PC_1200	5.762	920.7	01Apr2015, 17:01	3.29
PC_1200	0.111	39.4	01Apr2015, 13:19	3.03
J_PC_1200	5.873	939.1	01Apr2015, 16:50	3.28
R_PC_1100	5.873	937	01Apr2015, 17:16	3.28
PC_1100	0.182	37.9	01Apr2015, 14:58	3.29
PC_1000	0.168	68.6	01Apr2015, 13:19	3.48
J_PC_1000	6.223	1000.7	01Apr2015, 16:53	3.28
R_PC_900	6.223	988.4	01Apr2015, 17:51	3.28
PC_900	0.463	122.5	01Apr2015, 13:14	2.16

PC_810	0.208	76.4	01Apr2015, 13:30	3.45
PC_820	0.066	27.9	01Apr2015, 13:19	3.62
J_PC_820	0.066	27.9	01Apr2015, 13:19	3.62
R_PC_810	0.066	23.6	01Apr2015, 13:59	3.57
J_PC_810	0.274	99.4	01Apr2015, 13:34	3.48
R_PC_800	0.274	99	01Apr2015, 13:49	3.48
PC_800	0.16	99.7	01Apr2015, 12:42	3.23
J_PC_800	7.12	1099.4	01Apr2015, 17:15	3.21
R_PC_700	7.12	1089.7	01Apr2015, 17:54	3.21
PC_700	0.154	115.9	01Apr2015, 12:27	2.73
J_PC_700	7.274	1098.8	01Apr2015, 17:52	3.2
R_PC_600	7.274	1098.5	01Apr2015, 17:58	3.2
PC_570	0.416	87.5	01Apr2015, 13:59	2.47
PC_590	0.172	33.3	01Apr2015, 14:14	2.48
J_PC_590	0.172	33.3	01Apr2015, 14:14	2.48
R_PC_580	0.172	33	01Apr2015, 14:40	2.48
PC_580	0.124	31.8	01Apr2015, 13:12	2.07
J_PC_580	0.296	58.5	01Apr2015, 14:17	2.31
R_PC_570	0.296	56.7	01Apr2015, 15:01	2.29
J_PC_570	0.712	139.5	01Apr2015, 14:39	2.4
R_PC_560	0.712	139.4	01Apr2015, 14:43	2.39
PC_560	0.163	70.9	01Apr2015, 13:06	3.22
J_PC_560	0.875	190.8	01Apr2015, 14:18	2.55
R_PC_550	0.875	153.4	01Apr2015, 14:37	2.54
PC_550	0.535	68.7	01Apr2015, 16:57	2.92
J_PC_550	1.41	206.1	01Apr2015, 15:41	2.69
R_PC_540	1.41	173.5	01Apr2015, 16:19	2.69
PC_530	0.064	19.1	01Apr2015, 13:42	3.09
PC_531	0.027	17.8	01Apr2015, 12:37	3.03
J_PC_531	0.027	17.8	01Apr2015, 12:37	3.03
R_PC_530	0.027	17.7	01Apr2015, 12:42	3.03
PC_540	0.015	6.4	01Apr2015, 13:19	3.64
J_PC_530	1.516	194.2	01Apr2015, 15:57	2.72
R_PC_520	1.516	194.2	01Apr2015, 16:05	2.72
PC_520	0.029	16.8	01Apr2015, 12:49	3.4
J_PC_520	1.545	199.5	01Apr2015, 15:54	2.73
R_PC_510	1.545	199.5	01Apr2015, 15:56	2.73
PC_510	0.184	73.2	01Apr2015, 13:16	3.29
J_PC_510	1.729	247	01Apr2015, 14:53	2.79
R_PC_500	1.729	245.2	01Apr2015, 15:26	2.79
PC_500	0.216	52.5	01Apr2015, 13:34	2.38
J_PC_L1	1.945	287.3	01Apr2015, 15:02	2.74
PC_600	0.004	2.8	01Apr2015, 12:42	3.65
J_PC_500	9.223	1342.8	01Apr2015, 17:35	3.1
R_PC_400	9.223	1297	01Apr2015, 18:56	3.1
PC_400	0.28	137.7	01Apr2015, 12:34	2.15
J_PC_400	9.503	1309.2	01Apr2015, 18:54	3.07

R_PC_300	9.503	1309.1	01Apr2015, 18:57	3.07
PC_240	0.206	31	01Apr2015, 15:11	2.49
PC_250	0.117	10.8	01Apr2015, 15:16	1.49
J_PC_250	0.117	10.8	01Apr2015, 15:16	1.49
R_PC_240	0.117	10.8	01Apr2015, 15:29	1.48
J_PC_240	0.323	41.8	01Apr2015, 15:16	2.13
R_PC_230	0.323	40.8	01Apr2015, 16:37	2.12
PC_230	0.126	26	01Apr2015, 14:24	2.78
J_PC_230	0.449	63.4	01Apr2015, 16:01	2.31
R_PC_220	0.449	54.4	01Apr2015, 16:51	2.25
PC_220	0.273	19.2	01Apr2015, 16:43	1.44
J_PC_220	0.722	73.6	01Apr2015, 16:49	1.94
R_PC_210	0.722	48.6	01Apr2015, 17:45	1.43
PC_210	0.135	20.9	01Apr2015, 13:54	1.79
J_PC_210	0.857	62.8	01Apr2015, 16:48	1.49
R_PC_200	0.857	62.7	01Apr2015, 16:56	1.49
PC_200	0.099	20.8	01Apr2015, 13:18	1.81
PC_300	0.025	5.5	01Apr2015, 13:40	2.28
J_PC_200	10.484	1376.4	01Apr2015, 18:51	2.93
R_PC_100	10.484	1278.3	01Apr2015, 21:06	2.91
PC_100	0.129	29.8	01Apr2015, 13:33	2.25
OUT_PC_100	10.613	1285.8	01Apr2015, 21:04	2.9

Project: ParkersCreek

Simulation Run: 25YR-FU(Sny)

Start of Run: 01Apr2015, 00:00

Basin Model: Parkers Creek-FU(Snyder)

End of Run: 03Apr2015, 00:00

Meteorilologic Model: 25-YR

Compute Time: 16Dec2015, 12:40:34

Control Specifications: Control 1

Hydrologic Element	Drainage Area (MI2)	Peak Discharge (CFS)	Time of Peak	Volume (IN)
PC_2800	0.293	87.6	01Apr2015, 14:51	4.61
PC_2910	0.097	37.7	01Apr2015, 13:56	4.44
J_PC_2910	0.097	37.7	01Apr2015, 13:56	4.44
R_PC_2900	0.097	37.7	01Apr2015, 14:00	4.44
PC_3100	0.091	45.2	01Apr2015, 13:28	4.62
J_PC_3100	0.091	45.2	01Apr2015, 13:28	4.62
R_PC_3000	0.091	40.8	01Apr2015, 13:30	4.5
PC_3000	0.042	16.8	01Apr2015, 13:57	4.63
PC_2900	0.015	8.1	01Apr2015, 13:21	4.7
J_PC_2900	0.245	101.6	01Apr2015, 13:50	4.51
R_PC_2800	0.245	74	01Apr2015, 13:57	4.07
J_PC_2800	0.538	158.1	01Apr2015, 14:39	4.36
R_PC_2700	0.538	128.5	01Apr2015, 14:51	4.29
PC_2700	0.302	105.4	01Apr2015, 14:37	5.04
PC_2620	0.131	66	01Apr2015, 13:33	4.85
J_PC_2620	0.131	66	01Apr2015, 13:33	4.85
R_PC_2610	0.131	41.4	01Apr2015, 13:44	4.36
PC_2610	0.107	43.2	01Apr2015, 14:10	5.08
J_PC_2700	1.078	314.7	01Apr2015, 14:36	4.58
R_PC_2600	1.078	304	01Apr2015, 14:38	4.58
PC_2520	0.299	64.9	01Apr2015, 16:04	4.36
PC_2521	0.271	26.1	01Apr2015, 23:08	3.38
J_PC_2521	0.271	26.1	01Apr2015, 23:08	3.38
R_PC_2520	0.271	26	01Apr2015, 23:59	3.33
PC_2530	0.25	59.1	01Apr2015, 16:09	4.82
PC_2540	0.131	21.9	01Apr2015, 17:42	4.23
J_PC_2540	0.131	21.9	01Apr2015, 17:42	4.23
R_PC_2530	0.131	21.8	01Apr2015, 18:36	4.2
J_PC_2520	0.951	150.7	01Apr2015, 17:26	4.16
R_PC_2510	0.951	150.7	01Apr2015, 17:36	4.15
PC_2510	0.103	80.2	01Apr2015, 12:53	4.92
J_PC_2510	1.054	171.7	01Apr2015, 16:15	4.23
R_PC_2500	1.054	171.6	01Apr2015, 16:25	4.23
PC_2600	0.012	9.7	01Apr2015, 12:55	5.32
PC_2500	0.011	11.8	01Apr2015, 12:35	4.93
J_PC_2500	2.155	462.8	01Apr2015, 15:23	4.41
R_PC_2400	2.155	434	01Apr2015, 15:58	4.41
PC_2300	0.325	205.7	01Apr2015, 13:14	5.17

PC_2400	0.081	45.6	01Apr2015, 13:21	4.9
PC_2310	0.056	27.8	01Apr2015, 13:44	5.27
J_PC_2310	0.056	27.8	01Apr2015, 13:44	5.27
J_PC_2300	2.617	618.9	01Apr2015, 14:39	4.54
R_PC_2200	2.617	563.9	01Apr2015, 16:39	4.54
R_PC_2300	0.056	23.3	01Apr2015, 15:50	5.18
PC_2200	0.084	72.3	01Apr2015, 12:48	5.01
J_PC_2200	2.701	581.6	01Apr2015, 16:25	4.55
R_PC_2100	2.701	579.6	01Apr2015, 16:49	4.55
PC_2410	0.14	79.4	01Apr2015, 13:25	5.11
J_PC_2410	0.14	79.4	01Apr2015, 13:25	5.11
R_PC_2010	0.14	75.3	01Apr2015, 14:25	5.09
PC_2010	0.125	83.3	01Apr2015, 13:05	4.91
J_PC_2010	0.265	139.9	01Apr2015, 13:57	5.01
R_PC_2000	0.265	120.7	01Apr2015, 14:01	4.77
PC_2100	0.234	70.5	01Apr2015, 15:25	5.36
PC_2000	0.068	23	01Apr2015, 14:35	4.84
J_PC_2000	3.268	746.2	01Apr2015, 15:55	4.63
R_PC_1900	3.268	745.4	01Apr2015, 16:08	4.63
PC_1820	0.061	34.7	01Apr2015, 13:25	5.13
PC_1830	0.013	11.5	01Apr2015, 12:44	4.82
J_PC_1830	0.013	11.5	01Apr2015, 12:44	4.82
R_PC_1820	0.013	11.5	01Apr2015, 12:50	4.82
J_PC_1820	0.074	44.4	01Apr2015, 13:19	5.08
R_PC_1810	0.074	44.4	01Apr2015, 13:23	5.08
PC_1810	0.053	41	01Apr2015, 12:56	5.08
J_PC_1810	0.127	82.7	01Apr2015, 13:11	5.08
R_PC_1800	0.127	82.7	01Apr2015, 13:13	5.08
PC_1800	0.077	49.7	01Apr2015, 13:07	4.88
PC_1900	0.026	44.3	01Apr2015, 12:18	5.23
J_PC_1800	3.498	815.9	01Apr2015, 15:35	4.66
R_PC_1700	3.498	773.3	01Apr2015, 17:18	4.65
PC_1620	0.106	38.5	01Apr2015, 14:39	5.32
J_PC_1620	0.106	38.5	01Apr2015, 14:39	5.32
R_PC_1610	0.106	38.4	01Apr2015, 14:50	5.32
PC_1610	0.08	66.9	01Apr2015, 12:53	5.32
J_PC_1610	0.186	82.5	01Apr2015, 13:08	5.32
R_PC_1600	0.186	82.5	01Apr2015, 13:13	5.32
PC_1700	0.186	87.6	01Apr2015, 13:39	4.8
PC_1600	0.034	24.4	01Apr2015, 13:03	5.21
J_PC_1600	3.904	881.5	01Apr2015, 16:40	4.7
R_PC_1500	3.904	872.6	01Apr2015, 17:23	4.69
PC_1500	0.129	66.4	01Apr2015, 13:21	4.48
J_PC_1500	4.033	901.2	01Apr2015, 17:14	4.69
R_PC_1400	4.033	888.3	01Apr2015, 18:04	4.68
PC_571	0.27	33.5	01Apr2015, 18:43	3.43
J_PC_571	0.27	33.5	01Apr2015, 18:43	3.43

R_PC_1360	0.27	32.2	01Apr2015, 19:00	3.4
PC_1360	0.083	23.8	01Apr2015, 13:27	2.66
J_PC_1360	0.353	41.8	01Apr2015, 17:52	3.22
R_PC_1350	0.353	41.6	01Apr2015, 18:13	3.21
PC_1370	0.092	22.5	01Apr2015, 14:37	3.52
J_PC_1370	0.092	22.5	01Apr2015, 14:37	3.52
R_PC_1327	0.092	22.5	01Apr2015, 14:42	3.52
PC_1327	0.047	40.8	01Apr2015, 12:35	3.89
J_PC_1327	0.139	45.5	01Apr2015, 12:40	3.65
R_PC_1325	0.139	34.8	01Apr2015, 14:07	3.59
PC_1326	0.106	52.1	01Apr2015, 13:35	4.84
J_PC_1326	0.106	52.1	01Apr2015, 13:35	4.84
R_PC_1324	0.106	52.1	01Apr2015, 13:42	4.84
PC_1325	0.048	26.1	01Apr2015, 13:21	4.74
PC_1324	0.032	22.4	01Apr2015, 13:04	5.08
J_PC_1324	0.325	132	01Apr2015, 13:33	4.31
R_PC_1323	0.325	132	01Apr2015, 13:34	4.31
PC_1350	0.098	57.2	01Apr2015, 12:58	3.91
PC_1323	0.027	17.7	01Apr2015, 13:01	4.54
J_PC_1323	0.803	222.9	01Apr2015, 13:32	3.78
R_PC_1321	0.803	205.9	01Apr2015, 13:33	3.74
PC_1321	0.074	43.1	01Apr2015, 13:18	4.91
J_PC_1321	0.877	248.2	01Apr2015, 13:30	3.84
R_PC_1320	0.877	248.1	01Apr2015, 13:31	3.84
PC_1330	0.137	76.5	01Apr2015, 13:10	4.33
PC_1340	0.102	25.6	01Apr2015, 14:52	3.86
J_PC_1340	0.102	25.6	01Apr2015, 14:52	3.86
R_PC_1330	0.102	19.7	01Apr2015, 18:11	3.86
PC_1320	0.035	36.1	01Apr2015, 12:38	5.05
J_PC_1320	1.151	351.4	01Apr2015, 13:22	3.94
R_PC_1310	1.151	318.6	01Apr2015, 14:12	3.93
PC_1310	0.278	118.2	01Apr2015, 13:52	4.74
J_PC_1310	1.429	435	01Apr2015, 14:06	4.09
R_PC_1300	1.429	427.5	01Apr2015, 14:31	4.09
PC_1300	0.135	64.9	01Apr2015, 13:34	4.67
J_PC_L2	1.564	485.4	01Apr2015, 14:26	4.14
PC_1400	0.165	62.1	01Apr2015, 14:11	4.74
J_PC_1300	5.762	1251.6	01Apr2015, 17:10	4.53
R_PC_1200	5.762	1249.5	01Apr2015, 17:23	4.53
PC_1200	0.111	56.1	01Apr2015, 13:18	4.24
J_PC_1200	5.873	1272.2	01Apr2015, 17:19	4.53
R_PC_1100	5.873	1263.2	01Apr2015, 17:48	4.52
PC_1100	0.182	53	01Apr2015, 14:55	4.55
PC_1000	0.168	94.7	01Apr2015, 13:18	4.76
J_PC_1000	6.223	1340.9	01Apr2015, 17:35	4.53
R_PC_900	6.223	1325.5	01Apr2015, 18:18	4.52
PC_900	0.463	189.3	01Apr2015, 13:11	3.22

PC_810	0.208	105.7	01Apr2015, 13:29	4.73
PC_820	0.066	38.2	01Apr2015, 13:18	4.92
J_PC_820	0.066	38.2	01Apr2015, 13:18	4.92
R_PC_810	0.066	31	01Apr2015, 14:05	4.82
J_PC_810	0.274	135.5	01Apr2015, 13:32	4.75
R_PC_800	0.274	134.9	01Apr2015, 13:48	4.75
PC_800	0.16	139.4	01Apr2015, 12:41	4.47
J_PC_800	7.12	1461.6	01Apr2015, 17:34	4.44
R_PC_700	7.12	1454.8	01Apr2015, 18:10	4.44
PC_700	0.154	167.7	01Apr2015, 12:26	3.9
J_PC_700	7.274	1466.2	01Apr2015, 18:06	4.43
R_PC_600	7.274	1465.9	01Apr2015, 18:13	4.43
PC_570	0.416	130.7	01Apr2015, 13:56	3.59
PC_590	0.172	49.6	01Apr2015, 14:11	3.61
J_PC_590	0.172	49.6	01Apr2015, 14:11	3.61
R_PC_580	0.172	48.5	01Apr2015, 14:56	3.6
PC_580	0.124	49.6	01Apr2015, 13:10	3.1
J_PC_580	0.296	85.9	01Apr2015, 14:12	3.39
R_PC_570	0.296	84.3	01Apr2015, 14:54	3.38
J_PC_570	0.712	208.8	01Apr2015, 14:25	3.5
R_PC_560	0.712	208.3	01Apr2015, 14:37	3.5
PC_560	0.163	99.5	01Apr2015, 13:05	4.46
J_PC_560	0.875	280.9	01Apr2015, 14:14	3.68
R_PC_550	0.875	228.2	01Apr2015, 14:29	3.68
PC_550	0.535	97.8	01Apr2015, 16:48	4.11
J_PC_550	1.41	301.1	01Apr2015, 15:31	3.85
R_PC_540	1.41	256.5	01Apr2015, 16:05	3.86
PC_530	0.064	27.1	01Apr2015, 13:40	4.32
PC_531	0.027	25.1	01Apr2015, 12:36	4.24
J_PC_531	0.027	25.1	01Apr2015, 12:36	4.24
R_PC_530	0.027	25.1	01Apr2015, 12:41	4.24
PC_540	0.015	8.7	01Apr2015, 13:18	4.94
J_PC_530	1.516	286.4	01Apr2015, 15:42	3.9
R_PC_520	1.516	286.3	01Apr2015, 15:50	3.9
PC_520	0.029	23.3	01Apr2015, 12:48	4.67
J_PC_520	1.545	294.1	01Apr2015, 15:39	3.91
R_PC_510	1.545	294	01Apr2015, 15:41	3.91
PC_510	0.184	102.3	01Apr2015, 13:15	4.55
J_PC_510	1.729	362.6	01Apr2015, 14:42	3.98
R_PC_500	1.729	359.4	01Apr2015, 15:16	3.98
PC_500	0.216	79.2	01Apr2015, 13:31	3.48
J_PC_L1	1.945	422.9	01Apr2015, 14:54	3.92
PC_600	0.004	3.8	01Apr2015, 12:42	4.95
J_PC_500	9.223	1812	01Apr2015, 17:27	4.32
R_PC_400	9.223	1765.1	01Apr2015, 18:51	4.31
PC_400	0.28	212	01Apr2015, 12:33	3.2
J_PC_400	9.503	1782.2	01Apr2015, 18:48	4.28

R_PC_300	9.503	1782.1	01Apr2015, 18:51	4.28
PC_240	0.206	46	01Apr2015, 15:04	3.62
PC_250	0.117	18.1	01Apr2015, 14:55	2.37
J_PC_250	0.117	18.1	01Apr2015, 14:55	2.37
R_PC_240	0.117	18.1	01Apr2015, 15:08	2.37
J_PC_240	0.323	64	01Apr2015, 15:05	3.16
R_PC_230	0.323	61.6	01Apr2015, 16:45	3.15
PC_230	0.126	37.7	01Apr2015, 14:21	3.96
J_PC_230	0.449	93	01Apr2015, 16:15	3.38
R_PC_220	0.449	82.2	01Apr2015, 16:57	3.35
PC_220	0.273	31.9	01Apr2015, 16:18	2.3
J_PC_220	0.722	113.8	01Apr2015, 16:50	2.96
R_PC_210	0.722	87.2	01Apr2015, 17:31	2.59
PC_210	0.135	33.8	01Apr2015, 13:48	2.76
J_PC_210	0.857	109.4	01Apr2015, 16:40	2.61
R_PC_200	0.857	109.4	01Apr2015, 16:48	2.61
PC_200	0.099	33.6	01Apr2015, 13:14	2.79
PC_300	0.025	8.4	01Apr2015, 13:36	3.37
J_PC_200	10.484	1896.9	01Apr2015, 18:42	4.13
R_PC_100	10.484	1780.5	01Apr2015, 20:51	4.11
PC_100	0.129	45.6	01Apr2015, 13:30	3.32
OUT_PC_100	10.613	1791.5	01Apr2015, 20:49	4.1

Project: ParkersCreek

Simulation Run: 50YR-FU(Sny)

Start of Run: 01Apr2015, 00:00

Basin Model: Parkers Creek-FU(Snyder)

End of Run: 03Apr2015, 00:00

Meteorilologic Model: 50-YR

Compute Time: 16Dec2015, 12:40:34

Control Specifications: Control 1

Hydrologic Element	Drainage Area (MI2)	Peak Discharge (CFS)	Time of Peak	Volume (IN)
PC_2800	0.293	109.9	01Apr2015, 14:49	5.74
PC_2910	0.097	47.6	01Apr2015, 13:54	5.56
J_PC_2910	0.097	47.6	01Apr2015, 13:54	5.56
R_PC_2900	0.097	47.6	01Apr2015, 13:59	5.56
PC_3100	0.091	56.6	01Apr2015, 13:27	5.76
J_PC_3100	0.091	56.6	01Apr2015, 13:27	5.76
R_PC_3000	0.091	51.3	01Apr2015, 13:29	5.63
PC_3000	0.042	21.1	01Apr2015, 13:56	5.77
PC_2900	0.015	10.1	01Apr2015, 13:21	5.84
J_PC_2900	0.245	127.6	01Apr2015, 13:49	5.64
R_PC_2800	0.245	94.1	01Apr2015, 13:56	5.27
J_PC_2800	0.538	199.8	01Apr2015, 14:39	5.53
R_PC_2700	0.538	163.7	01Apr2015, 14:49	5.47
PC_2700	0.302	130.2	01Apr2015, 14:35	6.21
PC_2620	0.131	82	01Apr2015, 13:32	6.01
J_PC_2620	0.131	82	01Apr2015, 13:32	6.01
R_PC_2610	0.131	52.8	01Apr2015, 13:44	5.62
PC_2610	0.107	53.4	01Apr2015, 14:10	6.25
J_PC_2700	1.078	395.5	01Apr2015, 14:35	5.77
R_PC_2600	1.078	383.3	01Apr2015, 14:37	5.78
PC_2520	0.299	82	01Apr2015, 16:01	5.47
PC_2521	0.271	32.8	01Apr2015, 23:01	4.24
J_PC_2521	0.271	32.8	01Apr2015, 23:01	4.24
R_PC_2520	0.271	32.6	01Apr2015, 23:51	4.18
PC_2530	0.25	73.4	01Apr2015, 16:06	5.97
PC_2540	0.131	27.7	01Apr2015, 17:38	5.31
J_PC_2540	0.131	27.7	01Apr2015, 17:38	5.31
R_PC_2530	0.131	27.5	01Apr2015, 18:29	5.27
J_PC_2520	0.951	189.2	01Apr2015, 17:19	5.2
R_PC_2510	0.951	189	01Apr2015, 17:40	5.2
PC_2510	0.103	99.1	01Apr2015, 12:53	6.08
J_PC_2510	1.054	213.2	01Apr2015, 16:27	5.28
R_PC_2500	1.054	213	01Apr2015, 16:37	5.28
PC_2600	0.012	11.9	01Apr2015, 12:55	6.51
PC_2500	0.011	14.5	01Apr2015, 12:35	6.09
J_PC_2500	2.155	580.6	01Apr2015, 15:09	5.54
R_PC_2400	2.155	550.1	01Apr2015, 15:54	5.56
PC_2300	0.325	252.6	01Apr2015, 13:13	6.34

PC_2400	0.081	56.6	01Apr2015, 13:20	6.05
PC_2310	0.056	34.1	01Apr2015, 13:43	6.45
J_PC_2310	0.056	34.1	01Apr2015, 13:43	6.45
J_PC_2300	2.617	778.9	01Apr2015, 14:39	5.69
R_PC_2200	2.617	699.3	01Apr2015, 16:47	5.69
R_PC_2300	0.056	27.1	01Apr2015, 16:21	6.27
PC_2200	0.084	89.1	01Apr2015, 12:47	6.17
J_PC_2200	2.701	719.5	01Apr2015, 16:35	5.7
R_PC_2100	2.701	717	01Apr2015, 16:59	5.7
PC_2410	0.14	97.7	01Apr2015, 13:24	6.28
J_PC_2410	0.14	97.7	01Apr2015, 13:24	6.28
R_PC_2010	0.14	92.3	01Apr2015, 14:28	6.26
PC_2010	0.125	103.1	01Apr2015, 13:05	6.07
J_PC_2010	0.265	170.2	01Apr2015, 14:03	6.17
R_PC_2000	0.265	147.9	01Apr2015, 14:06	5.94
PC_2100	0.234	86.2	01Apr2015, 15:24	6.55
PC_2000	0.068	28.6	01Apr2015, 14:34	5.99
J_PC_2000	3.268	916.9	01Apr2015, 16:10	5.79
R_PC_1900	3.268	915.9	01Apr2015, 16:23	5.78
PC_1820	0.061	42.7	01Apr2015, 13:24	6.31
PC_1830	0.013	14.3	01Apr2015, 12:44	5.97
J_PC_1830	0.013	14.3	01Apr2015, 12:44	5.97
R_PC_1820	0.013	14.2	01Apr2015, 12:49	5.97
J_PC_1820	0.074	54.7	01Apr2015, 13:18	6.25
R_PC_1810	0.074	54.6	01Apr2015, 13:22	6.25
PC_1810	0.053	50.4	01Apr2015, 12:55	6.25
J_PC_1810	0.127	101.8	01Apr2015, 13:10	6.25
R_PC_1800	0.127	101.8	01Apr2015, 13:12	6.25
PC_1800	0.077	61.6	01Apr2015, 13:07	6.04
PC_1900	0.026	54	01Apr2015, 12:18	6.42
J_PC_1800	3.498	995.2	01Apr2015, 15:52	5.81
R_PC_1700	3.498	958.5	01Apr2015, 17:15	5.81
PC_1620	0.106	47.2	01Apr2015, 14:38	6.51
J_PC_1620	0.106	47.2	01Apr2015, 14:38	6.51
R_PC_1610	0.106	47.1	01Apr2015, 14:47	6.51
PC_1610	0.08	81.6	01Apr2015, 12:53	6.51
J_PC_1610	0.186	101.4	01Apr2015, 13:07	6.51
R_PC_1600	0.186	101.3	01Apr2015, 13:12	6.51
PC_1700	0.186	109	01Apr2015, 13:39	5.95
PC_1600	0.034	29.9	01Apr2015, 13:03	6.39
J_PC_1600	3.904	1090	01Apr2015, 16:44	5.85
R_PC_1500	3.904	1079.4	01Apr2015, 17:23	5.85
PC_1500	0.129	83.6	01Apr2015, 13:20	5.61
J_PC_1500	4.033	1114.7	01Apr2015, 17:13	5.84
R_PC_1400	4.033	1101.9	01Apr2015, 17:56	5.83
PC_571	0.27	43.3	01Apr2015, 18:35	4.41
J_PC_571	0.27	43.3	01Apr2015, 18:35	4.41

R_PC_1360	0.27	41.7	01Apr2015, 18:51	4.38
PC_1360	0.083	32.8	01Apr2015, 13:25	3.56
J_PC_1360	0.353	54.4	01Apr2015, 17:47	4.19
R_PC_1350	0.353	54.3	01Apr2015, 18:06	4.17
PC_1370	0.092	29.5	01Apr2015, 14:34	4.55
J_PC_1370	0.092	29.5	01Apr2015, 14:34	4.55
R_PC_1327	0.092	29.5	01Apr2015, 14:39	4.55
PC_1327	0.047	52.3	01Apr2015, 12:35	4.95
J_PC_1327	0.139	59.2	01Apr2015, 12:40	4.69
R_PC_1325	0.139	45.2	01Apr2015, 12:45	4.58
PC_1326	0.106	64.8	01Apr2015, 13:34	5.99
J_PC_1326	0.106	64.8	01Apr2015, 13:34	5.99
R_PC_1324	0.106	64.7	01Apr2015, 13:41	5.99
PC_1325	0.048	32.6	01Apr2015, 13:21	5.89
PC_1324	0.032	27.5	01Apr2015, 13:03	6.25
J_PC_1324	0.325	165.3	01Apr2015, 13:31	5.4
R_PC_1323	0.325	165.3	01Apr2015, 13:32	5.4
PC_1350	0.098	73.5	01Apr2015, 12:57	4.98
PC_1323	0.027	22.2	01Apr2015, 13:00	5.67
J_PC_1323	0.803	285	01Apr2015, 13:30	4.81
R_PC_1321	0.803	264	01Apr2015, 13:31	4.77
PC_1321	0.074	53.3	01Apr2015, 13:17	6.07
J_PC_1321	0.877	316.5	01Apr2015, 13:28	4.88
R_PC_1320	0.877	316.4	01Apr2015, 13:31	4.88
PC_1330	0.137	96.8	01Apr2015, 13:09	5.44
PC_1340	0.102	33	01Apr2015, 14:49	4.93
J_PC_1340	0.102	33	01Apr2015, 14:49	4.93
R_PC_1330	0.102	25.3	01Apr2015, 18:05	4.93
PC_1320	0.035	44.3	01Apr2015, 12:38	6.22
J_PC_1320	1.151	446.3	01Apr2015, 13:21	4.99
R_PC_1310	1.151	403.9	01Apr2015, 14:12	4.99
PC_1310	0.278	147.5	01Apr2015, 13:51	5.89
J_PC_1310	1.429	549	01Apr2015, 14:06	5.16
R_PC_1300	1.429	539.6	01Apr2015, 14:29	5.16
PC_1300	0.135	81.1	01Apr2015, 13:33	5.82
J_PC_L2	1.564	611.8	01Apr2015, 14:24	5.21
PC_1400	0.165	77.6	01Apr2015, 14:10	5.89
J_PC_1300	5.762	1570.4	01Apr2015, 16:50	5.67
R_PC_1200	5.762	1568.2	01Apr2015, 17:04	5.66
PC_1200	0.111	71.3	01Apr2015, 13:17	5.35
J_PC_1200	5.873	1598.8	01Apr2015, 16:58	5.66
R_PC_1100	5.873	1584.5	01Apr2015, 17:34	5.65
PC_1100	0.182	66.5	01Apr2015, 14:53	5.68
PC_1000	0.168	117.9	01Apr2015, 13:18	5.91
J_PC_1000	6.223	1684.2	01Apr2015, 17:22	5.66
R_PC_900	6.223	1658.3	01Apr2015, 18:11	5.65
PC_900	0.463	252.1	01Apr2015, 13:10	4.21

PC_810	0.208	131.9	01Apr2015, 13:28	5.88
PC_820	0.066	47.3	01Apr2015, 13:18	6.08
J_PC_820	0.066	47.3	01Apr2015, 13:18	6.08
R_PC_810	0.066	38	01Apr2015, 14:07	5.97
J_PC_810	0.274	168	01Apr2015, 13:32	5.9
R_PC_800	0.274	167.4	01Apr2015, 13:47	5.9
PC_800	0.16	174.8	01Apr2015, 12:41	5.6
J_PC_800	7.12	1832.6	01Apr2015, 17:36	5.56
R_PC_700	7.12	1820.7	01Apr2015, 18:09	5.56
PC_700	0.154	214.8	01Apr2015, 12:25	4.97
J_PC_700	7.274	1834.6	01Apr2015, 18:06	5.55
R_PC_600	7.274	1834.2	01Apr2015, 18:13	5.55
PC_570	0.416	170.8	01Apr2015, 13:53	4.62
PC_590	0.172	64.7	01Apr2015, 14:08	4.64
J_PC_590	0.172	64.7	01Apr2015, 14:08	4.64
R_PC_580	0.172	62.6	01Apr2015, 15:07	4.63
PC_580	0.124	66.5	01Apr2015, 13:08	4.08
J_PC_580	0.296	109.3	01Apr2015, 14:24	4.4
R_PC_570	0.296	105.4	01Apr2015, 15:29	4.36
J_PC_570	0.712	264.7	01Apr2015, 14:12	4.51
R_PC_560	0.712	264.3	01Apr2015, 14:26	4.51
PC_560	0.163	125.1	01Apr2015, 13:04	5.59
J_PC_560	0.875	359.7	01Apr2015, 14:05	4.71
R_PC_550	0.875	292.7	01Apr2015, 14:16	4.71
PC_550	0.535	124.3	01Apr2015, 16:44	5.19
J_PC_550	1.41	386	01Apr2015, 15:41	4.9
R_PC_540	1.41	333.4	01Apr2015, 16:08	4.9
PC_530	0.064	34.3	01Apr2015, 13:39	5.43
PC_531	0.027	31.8	01Apr2015, 12:35	5.35
J_PC_531	0.027	31.8	01Apr2015, 12:35	5.35
R_PC_530	0.027	31.7	01Apr2015, 12:40	5.35
PC_540	0.015	10.8	01Apr2015, 13:18	6.1
J_PC_530	1.516	369.6	01Apr2015, 15:49	4.95
R_PC_520	1.516	369.5	01Apr2015, 15:55	4.95
PC_520	0.029	29	01Apr2015, 12:48	5.82
J_PC_520	1.545	378.7	01Apr2015, 15:45	4.96
R_PC_510	1.545	378.7	01Apr2015, 15:47	4.96
PC_510	0.184	128.3	01Apr2015, 13:14	5.68
J_PC_510	1.729	466	01Apr2015, 14:24	5.04
R_PC_500	1.729	460.2	01Apr2015, 15:10	5.04
PC_500	0.216	104.1	01Apr2015, 13:29	4.5
J_PC_L1	1.945	544.3	01Apr2015, 14:45	4.98
PC_600	0.004	4.7	01Apr2015, 12:41	6.11
J_PC_500	9.223	2271.8	01Apr2015, 17:36	5.43
R_PC_400	9.223	2220.2	01Apr2015, 18:44	5.42
PC_400	0.28	281.4	01Apr2015, 12:32	4.18
J_PC_400	9.503	2241.9	01Apr2015, 18:41	5.38

R_PC_300	9.503	2241.8	01Apr2015, 18:44	5.38
PC_240	0.206	59.9	01Apr2015, 15:01	4.66
PC_250	0.117	25.3	01Apr2015, 14:46	3.23
J_PC_250	0.117	25.3	01Apr2015, 14:46	3.23
R_PC_240	0.117	25.2	01Apr2015, 14:58	3.22
J_PC_240	0.323	85.1	01Apr2015, 15:00	4.14
R_PC_230	0.323	81.7	01Apr2015, 16:38	4.12
PC_230	0.126	48.5	01Apr2015, 14:19	5.04
J_PC_230	0.449	121.9	01Apr2015, 16:12	4.38
R_PC_220	0.449	108	01Apr2015, 16:48	4.36
PC_220	0.273	44.4	01Apr2015, 16:05	3.15
J_PC_220	0.722	152	01Apr2015, 16:40	3.9
R_PC_210	0.722	124	01Apr2015, 17:07	3.68
PC_210	0.135	46.3	01Apr2015, 13:46	3.68
J_PC_210	0.857	155.2	01Apr2015, 16:24	3.68
R_PC_200	0.857	155.1	01Apr2015, 16:33	3.68
PC_200	0.099	45.9	01Apr2015, 13:13	3.71
PC_300	0.025	11.2	01Apr2015, 13:35	4.37
J_PC_200	10.484	2400.6	01Apr2015, 18:35	5.22
R_PC_100	10.484	2268.7	01Apr2015, 20:29	5.2
PC_100	0.129	60.4	01Apr2015, 13:28	4.32
OUT_PC_100	10.613	2283.4	01Apr2015, 20:27	5.18

Project: ParkersCreek

Simulation Run: 100YR-FU(Sny)

Start of Run: 01Apr2015, 00:00

Basin Model: Parkers Creek-FU(Snyder)

End of Run: 03Apr2015, 00:00

Meteorilologic Model: 100-YR

Compute Time: 16Dec2015, 12:40:34

Control Specifications: Control 1

Hydrologic Element	Drainage Area (MI2)	Peak Discharge (CFS)	Time of Peak	Volume (IN)
PC_2800	0.293	134.9	01Apr2015, 14:48	7.02
PC_2910	0.097	58.7	01Apr2015, 13:53	6.83
J_PC_2910	0.097	58.7	01Apr2015, 13:53	6.83
R_PC_2900	0.097	58.7	01Apr2015, 13:57	6.83
PC_3100	0.091	69.4	01Apr2015, 13:27	7.04
J_PC_3100	0.091	69.4	01Apr2015, 13:27	7.04
R_PC_3000	0.091	63.1	01Apr2015, 13:28	6.94
PC_3000	0.042	25.9	01Apr2015, 13:55	7.05
PC_2900	0.015	12.3	01Apr2015, 13:20	7.13
J_PC_2900	0.245	157	01Apr2015, 13:48	6.93
R_PC_2800	0.245	116.8	01Apr2015, 13:55	6.64
J_PC_2800	0.538	246.3	01Apr2015, 14:37	6.85
R_PC_2700	0.538	203.1	01Apr2015, 14:46	6.79
PC_2700	0.302	158	01Apr2015, 14:34	7.52
PC_2620	0.131	99.8	01Apr2015, 13:31	7.3
J_PC_2620	0.131	99.8	01Apr2015, 13:31	7.3
R_PC_2610	0.131	65.5	01Apr2015, 13:43	7.04
PC_2610	0.107	64.6	01Apr2015, 14:09	7.56
J_PC_2700	1.078	485.6	01Apr2015, 14:34	7.1
R_PC_2600	1.078	471.5	01Apr2015, 14:36	7.11
PC_2520	0.299	101.3	01Apr2015, 15:59	6.72
PC_2521	0.271	40.4	01Apr2015, 22:56	5.22
J_PC_2521	0.271	40.4	01Apr2015, 22:56	5.22
R_PC_2520	0.271	40.1	01Apr2015, 23:43	5.15
PC_2530	0.25	89.5	01Apr2015, 16:05	7.26
PC_2540	0.131	34.1	01Apr2015, 17:35	6.53
J_PC_2540	0.131	34.1	01Apr2015, 17:35	6.53
R_PC_2530	0.131	33.9	01Apr2015, 18:24	6.48
J_PC_2520	0.951	232.6	01Apr2015, 17:14	6.38
R_PC_2510	0.951	232.4	01Apr2015, 17:37	6.37
PC_2510	0.103	120.1	01Apr2015, 12:52	7.38
J_PC_2510	1.054	261.2	01Apr2015, 16:30	6.47
R_PC_2500	1.054	261.1	01Apr2015, 16:40	6.47
PC_2600	0.012	14.2	01Apr2015, 12:55	7.84
PC_2500	0.011	17.5	01Apr2015, 12:35	7.39
J_PC_2500	2.155	706.3	01Apr2015, 14:52	6.8
R_PC_2400	2.155	674.1	01Apr2015, 15:57	6.82
PC_2300	0.325	304.6	01Apr2015, 13:13	7.66

PC_2400	0.081	68.8	01Apr2015, 13:20	7.36
PC_2310	0.056	41.1	01Apr2015, 13:43	7.77
J_PC_2310	0.056	41.1	01Apr2015, 13:43	7.77
J_PC_2300	2.617	954.9	01Apr2015, 14:31	6.96
R_PC_2200	2.617	818.5	01Apr2015, 17:13	6.96
R_PC_2300	0.056	31.4	01Apr2015, 16:49	7.51
PC_2200	0.084	107.7	01Apr2015, 12:47	7.48
J_PC_2200	2.701	841	01Apr2015, 16:25	6.97
R_PC_2100	2.701	838.3	01Apr2015, 17:15	6.97
PC_2410	0.14	118	01Apr2015, 13:24	7.6
J_PC_2410	0.14	118	01Apr2015, 13:24	7.6
R_PC_2010	0.14	111.4	01Apr2015, 14:28	7.58
PC_2010	0.125	125.1	01Apr2015, 13:04	7.37
J_PC_2010	0.265	205	01Apr2015, 14:05	7.48
R_PC_2000	0.265	179	01Apr2015, 14:07	7.22
PC_2100	0.234	103.7	01Apr2015, 15:23	7.88
PC_2000	0.068	34.9	01Apr2015, 14:33	7.29
J_PC_2000	3.268	1089.7	01Apr2015, 15:43	7.06
R_PC_1900	3.268	1087.8	01Apr2015, 15:59	7.06
PC_1820	0.061	51.6	01Apr2015, 13:24	7.62
PC_1830	0.013	17.3	01Apr2015, 12:43	7.27
J_PC_1830	0.013	17.3	01Apr2015, 12:43	7.27
R_PC_1820	0.013	17.3	01Apr2015, 12:48	7.27
J_PC_1820	0.074	66.1	01Apr2015, 13:18	7.56
R_PC_1810	0.074	66	01Apr2015, 13:22	7.56
PC_1810	0.053	60.8	01Apr2015, 12:55	7.56
J_PC_1810	0.127	123.1	01Apr2015, 13:10	7.56
R_PC_1800	0.127	123	01Apr2015, 13:11	7.56
PC_1800	0.077	74.8	01Apr2015, 13:06	7.34
PC_1900	0.026	64.7	01Apr2015, 12:18	7.74
J_PC_1800	3.498	1192	01Apr2015, 15:38	7.09
R_PC_1700	3.498	1139.8	01Apr2015, 17:03	7.08
PC_1620	0.106	56.8	01Apr2015, 14:37	7.84
J_PC_1620	0.106	56.8	01Apr2015, 14:37	7.84
R_PC_1610	0.106	56.5	01Apr2015, 14:54	7.83
PC_1610	0.08	97.8	01Apr2015, 12:53	7.84
J_PC_1610	0.186	122.3	01Apr2015, 13:06	7.83
R_PC_1600	0.186	122.3	01Apr2015, 13:11	7.83
PC_1700	0.186	133	01Apr2015, 13:38	7.24
PC_1600	0.034	36	01Apr2015, 13:03	7.71
J_PC_1600	3.904	1304.9	01Apr2015, 16:30	7.13
R_PC_1500	3.904	1290.7	01Apr2015, 17:10	7.13
PC_1500	0.129	102.8	01Apr2015, 13:20	6.88
J_PC_1500	4.033	1335.6	01Apr2015, 17:01	7.12
R_PC_1400	4.033	1319.7	01Apr2015, 17:44	7.11
PC_571	0.27	54.6	01Apr2015, 18:28	5.53
J_PC_571	0.27	54.6	01Apr2015, 18:28	5.53

R_PC_1360	0.27	52.6	01Apr2015, 18:43	5.5
PC_1360	0.083	43.5	01Apr2015, 13:23	4.62
J_PC_1360	0.353	69	01Apr2015, 17:43	5.29
R_PC_1350	0.353	68.9	01Apr2015, 18:00	5.27
PC_1370	0.092	37.5	01Apr2015, 14:32	5.73
J_PC_1370	0.092	37.5	01Apr2015, 14:32	5.73
R_PC_1327	0.092	37.5	01Apr2015, 14:36	5.73
PC_1327	0.047	65.4	01Apr2015, 12:34	6.17
J_PC_1327	0.139	74.9	01Apr2015, 12:39	5.88
R_PC_1325	0.139	56.8	01Apr2015, 12:43	5.66
PC_1326	0.106	78.9	01Apr2015, 13:34	7.29
J_PC_1326	0.106	78.9	01Apr2015, 13:34	7.29
R_PC_1324	0.106	78.6	01Apr2015, 13:45	7.29
PC_1325	0.048	39.8	01Apr2015, 13:20	7.18
PC_1324	0.032	33.3	01Apr2015, 13:03	7.56
J_PC_1324	0.325	200.5	01Apr2015, 13:33	6.6
R_PC_1323	0.325	200.5	01Apr2015, 13:34	6.6
PC_1350	0.098	92.1	01Apr2015, 12:57	6.2
PC_1323	0.027	27.2	01Apr2015, 13:00	6.95
J_PC_1323	0.803	353.2	01Apr2015, 13:29	5.98
R_PC_1321	0.803	328.7	01Apr2015, 13:31	5.96
PC_1321	0.074	64.8	01Apr2015, 13:17	7.37
J_PC_1321	0.877	392.4	01Apr2015, 13:27	6.07
R_PC_1320	0.877	392.3	01Apr2015, 13:30	6.07
PC_1330	0.137	119.5	01Apr2015, 13:09	6.7
PC_1340	0.102	41.4	01Apr2015, 14:47	6.15
J_PC_1340	0.102	41.4	01Apr2015, 14:47	6.15
R_PC_1330	0.102	31.6	01Apr2015, 18:00	6.14
PC_1320	0.035	53.5	01Apr2015, 12:37	7.53
J_PC_1320	1.151	552.9	01Apr2015, 13:20	6.2
R_PC_1310	1.151	500.2	01Apr2015, 14:12	6.19
PC_1310	0.278	180.2	01Apr2015, 13:50	7.18
J_PC_1310	1.429	677.3	01Apr2015, 14:05	6.39
R_PC_1300	1.429	665.8	01Apr2015, 14:29	6.38
PC_1300	0.135	99.3	01Apr2015, 13:32	7.1
J_PC_L2	1.564	753.9	01Apr2015, 14:24	6.44
PC_1400	0.165	94.8	01Apr2015, 14:09	7.18
J_PC_1300	5.762	1913.3	01Apr2015, 16:37	6.93
R_PC_1200	5.762	1910.7	01Apr2015, 16:50	6.93
PC_1200	0.111	88.3	01Apr2015, 13:16	6.6
J_PC_1200	5.873	1950.2	01Apr2015, 16:44	6.92
R_PC_1100	5.873	1931.6	01Apr2015, 17:21	6.91
PC_1100	0.182	81.8	01Apr2015, 14:51	6.96
PC_1000	0.168	143.8	01Apr2015, 13:17	7.2
J_PC_1000	6.223	2057	01Apr2015, 17:09	6.92
R_PC_900	6.223	2020.6	01Apr2015, 18:01	6.91
PC_900	0.463	324.9	01Apr2015, 13:09	5.35

PC_810	0.208	161.1	01Apr2015, 13:27	7.16
PC_820	0.066	57.5	01Apr2015, 13:17	7.38
J_PC_820	0.066	57.5	01Apr2015, 13:17	7.38
R_PC_810	0.066	45.9	01Apr2015, 14:08	7.28
J_PC_810	0.274	204.6	01Apr2015, 13:31	7.19
R_PC_800	0.274	203.8	01Apr2015, 13:46	7.19
PC_800	0.16	214.4	01Apr2015, 12:40	6.87
J_PC_800	7.12	2246.1	01Apr2015, 17:24	6.82
R_PC_700	7.12	2221	01Apr2015, 18:07	6.81
PC_700	0.154	268	01Apr2015, 12:25	6.19
J_PC_700	7.274	2237.8	01Apr2015, 18:05	6.8
R_PC_600	7.274	2237.3	01Apr2015, 18:11	6.8
PC_570	0.416	217	01Apr2015, 13:52	5.81
PC_590	0.172	82.2	01Apr2015, 14:06	5.83
J_PC_590	0.172	82.2	01Apr2015, 14:06	5.83
R_PC_580	0.172	79.1	01Apr2015, 15:08	5.82
PC_580	0.124	86.2	01Apr2015, 13:07	5.2
J_PC_580	0.296	137.5	01Apr2015, 14:30	5.56
R_PC_570	0.296	129.5	01Apr2015, 15:57	5.49
J_PC_570	0.712	321.9	01Apr2015, 14:16	5.68
R_PC_560	0.712	321.6	01Apr2015, 14:28	5.68
PC_560	0.163	153.9	01Apr2015, 13:04	6.86
J_PC_560	0.875	439.7	01Apr2015, 14:00	5.9
R_PC_550	0.875	361.7	01Apr2015, 14:13	5.9
PC_550	0.535	154.4	01Apr2015, 16:41	6.42
J_PC_550	1.41	481	01Apr2015, 15:45	6.1
R_PC_540	1.41	426.9	01Apr2015, 16:15	6.18
PC_530	0.064	42.5	01Apr2015, 13:38	6.69
PC_531	0.027	39.3	01Apr2015, 12:35	6.6
J_PC_531	0.027	39.3	01Apr2015, 12:35	6.6
R_PC_530	0.027	39.1	01Apr2015, 12:39	6.6
PC_540	0.015	13.1	01Apr2015, 13:17	7.41
J_PC_530	1.516	469.8	01Apr2015, 15:57	6.22
R_PC_520	1.516	469.6	01Apr2015, 16:02	6.22
PC_520	0.029	35.4	01Apr2015, 12:48	7.1
J_PC_520	1.545	480.1	01Apr2015, 15:53	6.23
R_PC_510	1.545	480.1	01Apr2015, 15:55	6.23
PC_510	0.184	157.5	01Apr2015, 13:14	6.96
J_PC_510	1.729	581.5	01Apr2015, 14:22	6.31
R_PC_500	1.729	575.8	01Apr2015, 15:14	6.31
PC_500	0.216	132.8	01Apr2015, 13:28	5.68
J_PC_L1	1.945	681.5	01Apr2015, 14:43	6.24
PC_600	0.004	5.6	01Apr2015, 12:41	7.42
J_PC_500	9.223	2796.6	01Apr2015, 17:38	6.68
R_PC_400	9.223	2737.4	01Apr2015, 18:39	6.67
PC_400	0.28	361.3	01Apr2015, 12:32	5.32
J_PC_400	9.503	2764.1	01Apr2015, 18:36	6.63

R_PC_300	9.503	2764	01Apr2015, 18:39	6.63
PC_240	0.206	75.9	01Apr2015, 14:58	5.85
PC_250	0.117	33.9	01Apr2015, 14:40	4.24
J_PC_250	0.117	33.9	01Apr2015, 14:40	4.24
R_PC_240	0.117	33.9	01Apr2015, 14:52	4.24
J_PC_240	0.323	109.8	01Apr2015, 14:57	5.26
R_PC_230	0.323	105.2	01Apr2015, 16:31	5.25
PC_230	0.126	60.8	01Apr2015, 14:17	6.26
J_PC_230	0.449	155.6	01Apr2015, 16:07	5.54
R_PC_220	0.449	138.1	01Apr2015, 16:38	5.52
PC_220	0.273	59.5	01Apr2015, 15:55	4.15
J_PC_220	0.722	197	01Apr2015, 16:30	5
R_PC_210	0.722	164.2	01Apr2015, 16:51	4.82
PC_210	0.135	61	01Apr2015, 13:44	4.76
J_PC_210	0.857	205.8	01Apr2015, 16:13	4.81
R_PC_200	0.857	205.6	01Apr2015, 16:32	4.81
PC_200	0.099	60.4	01Apr2015, 13:11	4.8
PC_300	0.025	14.3	01Apr2015, 13:33	5.53
J_PC_200	10.484	2972.9	01Apr2015, 18:29	6.46
R_PC_100	10.484	2824.1	01Apr2015, 20:15	6.43
PC_100	0.129	77.5	01Apr2015, 13:27	5.48
OUT_PC_100	10.613	2843.1	01Apr2015, 20:13	6.41

Project: JohnsonsMillRun

Simulation Run: 2YR-FU(Sny)

Start of Run: 01Apr2015, 00:00

Basin Model: Johnsons Mill Run-FU(Snyder)

End of Run: 03Apr2015, 00:00

Meteorilgic Model: 2-YR

Compute Time: 16Dec2015, 12:40:34

Control Specifications: Control 1

Hydrologic Element	Drainage Area (MI2)	Peak Discharge (CFS)	Time of Peak	Volume (IN)
JMR_13563	1.076	62.8	01Apr2015, 22:29	2.02
J_JMR_13563	1.076	62.8	01Apr2015, 22:29	2.02
R_JMR_13562	1.076	58.8	01Apr2015, 22:57	1.96
JMR_13570	0.37	13	02Apr2015, 06:35	1.33
J_JMR_13570	0.37	13	02Apr2015, 06:35	1.33
R_JMR_13561	0.37	12.2	02Apr2015, 08:44	1.23
JMR_13562	0.111	13.1	01Apr2015, 16:29	2.55
JMR_13561	0.069	13.1	01Apr2015, 14:27	2.62
J_JMR_13561	1.626	78.6	01Apr2015, 22:30	1.86
R_JMR_13560	1.626	61.1	02Apr2015, 03:00	1.62
JMR_13552	0.591	25.9	02Apr2015, 02:39	1.64
JMR_13560	0.591	40.1	01Apr2015, 20:57	2.21
JMR_13553	0.295	31.4	01Apr2015, 16:58	2.47
J_JMR_13553	0.295	31.4	01Apr2015, 16:58	2.47
R_JMR_13552	0.295	26	01Apr2015, 18:07	2.37
J_JMR_13560	3.103	142.3	02Apr2015, 00:13	1.81
R_JMR_13550	3.103	142	02Apr2015, 01:05	1.79
JMR_13551	0.699	53.6	01Apr2015, 19:13	2.24
JMR_13541	0.573	50.9	01Apr2015, 17:36	2.22
JMR_13550	0.1	28.9	01Apr2015, 13:24	2.6
J_JMR_13550	4.475	233.9	01Apr2015, 21:40	1.93
R_JMR_13540	4.475	183.6	02Apr2015, 01:36	1.71
JMR_13533	0.939	31.8	02Apr2015, 07:05	1.27
JMR_13535	0.527	58	01Apr2015, 16:58	2.55
J_JMR_13535	0.527	58	01Apr2015, 16:58	2.55
R_JMR_13534	0.527	51.9	01Apr2015, 17:08	2.46
JMR_13534	0.192	28.1	01Apr2015, 15:11	2.45
J_JMR_13534	1.658	83.6	01Apr2015, 17:03	1.79
R_JMR_13533	1.658	50.8	02Apr2015, 03:51	1.4
JMR_13540	0.03	10.6	01Apr2015, 13:16	2.99
J_JMR_13540	6.163	234.3	02Apr2015, 01:48	1.63
R_JMR_13531	6.163	234	02Apr2015, 03:05	1.61
JMR_13532	1.08	84.2	01Apr2015, 18:46	2.19
JMR_13531	0.619	49.1	01Apr2015, 19:21	2.35
JMR_13542	0.486	96.7	01Apr2015, 14:02	2.36
J_JMR_13542	0.486	96.7	01Apr2015, 14:02	2.36
R_JMR_13532	0.486	58.6	01Apr2015, 14:13	1.92
J_JMR_13531	8.348	366	01Apr2015, 22:16	1.76

R_JMR_13530	8.348	364.9	01Apr2015, 23:58	1.72
JMR_13521	0.753	31.5	02Apr2015, 03:23	1.57
JMR_13530	0.144	14.1	01Apr2015, 17:41	2.49
J_JMR_13530	9.245	403.5	02Apr2015, 00:31	1.72
R_JMR_13520	9.245	363.8	02Apr2015, 02:52	1.61
JMR_13520	1.809	62.3	02Apr2015, 06:55	1.3
J_JMR_13520	11.054	420.3	02Apr2015, 03:56	1.56
R_JMR_13600	11.054	419.4	02Apr2015, 04:56	1.52
JMR_13610	0.58	44.1	01Apr2015, 19:39	2.3
JMR_13620	0.259	20.6	01Apr2015, 18:05	2.09
J_JMR_13620	0.259	20.6	01Apr2015, 18:05	2.09
R_JMR_13610	0.259	20.1	01Apr2015, 20:04	2.04
J_JMR_13610	0.839	64.1	01Apr2015, 19:48	2.22
R_JMR_13700	0.839	64.1	01Apr2015, 19:55	2.21
JMR_13700	0.49	21.7	02Apr2015, 00:26	1.6
JMR_13500	0.482	29.8	01Apr2015, 20:16	1.93
JMR_13510	0.305	18.1	01Apr2015, 21:55	2.01
J_JMR_13510	0.305	18.1	01Apr2015, 21:55	2.01
R_JMR_13500	0.305	18	01Apr2015, 22:36	1.99
JMR_13600	0.276	35.6	01Apr2015, 15:33	2.34
J_JMR_13500	13.446	537	02Apr2015, 02:43	1.61
R_JMR_13400	13.446	536.6	02Apr2015, 03:25	1.59
JMR_13410	0.773	46.4	01Apr2015, 20:24	1.89
J_JMR_13410	0.773	46.4	01Apr2015, 20:24	1.89
R_JMR_13320	0.773	33.9	01Apr2015, 23:41	1.63
JMR_16000	0.579	29.4	01Apr2015, 22:20	1.74
J_JMR_16000	0.579	29.4	01Apr2015, 22:20	1.74
R_JMR_13310	0.579	25.4	02Apr2015, 01:37	1.59
JMR_13320	0.539	28.2	01Apr2015, 21:45	1.75
JMR_13310	0.188	23	01Apr2015, 15:16	2.09
J_JMR_13310	2.079	98.1	01Apr2015, 22:04	1.69
R_JMR_13300	2.079	98.1	01Apr2015, 22:11	1.69
JMR_13400	0.301	19.9	01Apr2015, 18:54	1.86
JMR_13300	0.059	4.8	01Apr2015, 17:42	2.02
J_JMR_13300	15.885	644.6	02Apr2015, 02:22	1.61
R_JMR_13200	15.885	607.6	02Apr2015, 03:42	1.54
JMR_13200	0.61	38.2	01Apr2015, 18:14	1.64
J_JMR_13200	16.495	631.8	02Apr2015, 03:11	1.54
R_JMR_13100	16.495	584.5	02Apr2015, 05:00	1.44
JMR_13100	0.509	42.2	01Apr2015, 16:45	1.83
J_JMR_13100	17.004	601.5	02Apr2015, 04:22	1.45
R_JMR_13000	17.004	600.9	02Apr2015, 05:07	1.42
JMR_15100	0.594	80.2	01Apr2015, 15:03	2.18
J_JMR_15100	0.594	80.2	01Apr2015, 15:03	2.18
R_JMR_15000	0.594	65.6	01Apr2015, 15:19	2.09
JMR_15000	0.243	39.5	01Apr2015, 14:26	2.22
J_JMR_15000	0.837	103.8	01Apr2015, 15:00	2.13

R_JMR_14000	0.837	90.4	01Apr2015, 15:11	2.08
JMR_13000	0.37	36.5	01Apr2015, 16:40	2.18
JMR_14000	0.035	14	01Apr2015, 12:49	2.34
J_JMR_13000	18.246	644.4	02Apr2015, 03:34	1.47
R_JMR_12000	18.246	644.2	02Apr2015, 04:08	1.45
JMR_11120	0.192	12.2	01Apr2015, 17:12	1.46
J_JMR_11120	0.192	12.2	01Apr2015, 17:12	1.46
R_JMR_11110	0.192	10.5	01Apr2015, 18:22	1.4
JMR_11110	0.071	14.3	01Apr2015, 13:33	1.94
J_JMR_11110	0.263	18.9	01Apr2015, 16:04	1.55
R_JMR_11100	0.263	18.9	01Apr2015, 16:14	1.55
JMR_11100	0.257	32.1	01Apr2015, 13:56	1.45
JMR_12000	0.171	21.6	01Apr2015, 14:37	1.82
J_JMR_12000	18.937	657.4	02Apr2015, 03:27	1.46
R_JMR_11000	18.937	640	02Apr2015, 04:11	1.42
JMR_11000	0.136	26.9	01Apr2015, 14:16	2.56
J_JMR_11000	19.073	642.9	02Apr2015, 03:57	1.43
R_JMR_10000	19.073	642.7	02Apr2015, 04:51	1.4
JMR_9000	0.214	31	01Apr2015, 14:16	1.87
JMR_10000	0.196	54.9	01Apr2015, 13:01	1.95
JMR_9100	0.052	11.9	01Apr2015, 13:30	2.16
J_JMR_9100	0.052	11.9	01Apr2015, 13:30	2.16
R_JMR_9000	0.052	11.9	01Apr2015, 13:49	2.16
J_JMR_9000	19.535	646.2	02Apr2015, 04:29	1.41
R_JMR_8000	19.535	646.1	02Apr2015, 04:40	1.41
JMR_7000	0.091	14.5	01Apr2015, 13:39	1.63
JMR_7100	0.086	21.8	01Apr2015, 12:53	1.58
J_JMR_7100	0.086	21.8	01Apr2015, 12:53	1.58
R_JMR_7000	0.086	20.9	01Apr2015, 13:22	1.57
JMR_8000	0.071	15.3	01Apr2015, 13:33	2.09
J_JMR_7000	19.783	647.1	02Apr2015, 04:32	1.41
R_JMR_6000	19.783	647.1	02Apr2015, 04:37	1.41
JMR_6000	0.027	7	01Apr2015, 12:52	1.58
J_JMR_6000	19.81	647.1	02Apr2015, 04:37	1.41
R_JMR_5000	19.81	647.1	02Apr2015, 04:45	1.4
JMR_5000	0.097	28	01Apr2015, 13:18	2.44
J_JMR_5000	19.907	647.5	02Apr2015, 04:41	1.41
R_JMR_4000	19.907	647.4	02Apr2015, 04:53	1.4
JMR_3360	0.637	32.3	01Apr2015, 21:32	1.67
JMR_3370	0.207	27.5	01Apr2015, 15:30	2.39
JMR_3380	0.198	26.1	01Apr2015, 15:05	2.14
J_JMR_3380	0.198	26.1	01Apr2015, 15:05	2.14
R_JMR_3370	0.198	24.8	01Apr2015, 15:42	2.13
J_JMR_3360	1.042	69.4	01Apr2015, 18:24	1.9
R_JMR_3356	1.042	53.8	01Apr2015, 20:05	1.69
JMR_3356	0.284	35.4	01Apr2015, 14:55	1.94
J_JMR_3356	1.326	81	01Apr2015, 16:54	1.74

R_JMR_3354	1.326	80.9	01Apr2015, 17:26	1.73
JMR_3354	0.337	37.7	01Apr2015, 14:26	1.53
JMR_3355	0.043	19.6	01Apr2015, 12:42	2.39
J_JMR_3354	1.706	117.5	01Apr2015, 15:57	1.71
R_JMR_3353	1.706	107	01Apr2015, 16:09	1.67
JMR_3353	0.093	36.9	01Apr2015, 12:46	2.2
J_JMR_3353	1.799	118.1	01Apr2015, 15:37	1.7
R_JMR_3352	1.799	117.2	01Apr2015, 16:11	1.69
JMR_3321	0.324	49.1	01Apr2015, 14:12	1.91
JMR_3320	0.232	46.2	01Apr2015, 14:08	2.45
J_JMR_3320	0.232	46.2	01Apr2015, 14:08	2.45
R_JMR_3319	0.232	46.2	01Apr2015, 14:15	2.45
JMR_3322	0.131	16.6	01Apr2015, 14:59	2.01
J_JMR_3322	0.131	16.6	01Apr2015, 14:59	2.01
R_JMR_3321	0.131	15.6	01Apr2015, 16:46	1.98
JMR_3319	0.026	19	01Apr2015, 12:22	2.41
J_JMR_3319	0.713	105	01Apr2015, 14:34	2.12
R_JMR_3317	0.713	93.4	01Apr2015, 15:45	2.11
JMR_3317	0.275	16.1	01Apr2015, 19:08	1.67
JMR_3318	0.272	9.5	01Apr2015, 18:46	0.92
J_JMR_3317	1.26	111.9	01Apr2015, 16:31	1.76
R_JMR_3351	1.26	111.9	01Apr2015, 16:32	1.76
JMR_3352	0.175	29.7	01Apr2015, 14:29	2.35
JMR_3351	0.052	4.5	01Apr2015, 15:30	1.51
J_JMR_3351	3.286	259.3	01Apr2015, 16:09	1.75
R_JMR_3350	3.286	257.6	01Apr2015, 16:24	1.75
JMR_3313	0.092	12.3	01Apr2015, 14:01	1.59
JMR_3350	0.08	12.3	01Apr2015, 13:56	1.76
J_JMR_3350	3.458	276.8	01Apr2015, 16:14	1.74
R_JMR_3312	3.458	264.9	01Apr2015, 16:21	1.74
JMR_11130	0.412	35	01Apr2015, 15:27	1.47
J_JMR_11130	0.412	35	01Apr2015, 15:27	1.47
R_JMR_3341	0.412	31	01Apr2015, 15:42	1.42
JMR_3341	0.112	10.2	01Apr2015, 15:06	1.47
J_JMR_3341	0.524	41.1	01Apr2015, 15:32	1.43
R_JMR_3340	0.524	36.5	01Apr2015, 19:10	1.4
JMR_3340	0.244	31.2	01Apr2015, 13:55	1.47
JMR_3312	0.144	33.6	01Apr2015, 13:15	1.9
J_JMR_3312	4.37	336.6	01Apr2015, 16:09	1.69
R_JMR_3310	4.37	309.3	01Apr2015, 16:24	1.68
JMR_3331	0.263	53.4	01Apr2015, 13:32	1.94
JMR_3332	0.044	3.1	01Apr2015, 15:00	1.07
J_JMR_3332	0.044	3.1	01Apr2015, 15:00	1.07
R_JMR_3331	0.044	3	01Apr2015, 16:40	1.06
J_JMR_3331	0.307	53.5	01Apr2015, 13:33	1.82
R_JMR_3330	0.307	48.1	01Apr2015, 13:34	1.74
JMR_3330	0.206	15.8	01Apr2015, 15:19	1.28

JMR_3310	0.058	6	01Apr2015, 13:41	1.09
J_JMR_3310	4.941	364.1	01Apr2015, 15:59	1.66
R_JMR_3300	4.941	359.4	01Apr2015, 16:55	1.65
JMR_3210	0.204	17.8	01Apr2015, 15:39	1.58
J_JMR_3210	0.204	17.8	01Apr2015, 15:39	1.58
R_JMR_3200	0.204	17.8	01Apr2015, 15:57	1.58
JMR_3200	0.113	22.8	01Apr2015, 12:52	1.25
JMR_3300	0.113	12	01Apr2015, 13:09	0.87
J_JMR_3200	5.371	388.8	01Apr2015, 16:44	1.63
R_JMR_3100	5.371	364.5	01Apr2015, 18:02	1.62
JMR_3100	0.502	23.4	01Apr2015, 19:17	1.33
J_JMR_3100	5.873	387.3	01Apr2015, 18:07	1.59
R_JMR_3000	5.873	387.1	01Apr2015, 18:28	1.59
JMR_3000	0.174	19.5	01Apr2015, 14:20	1.49
JMR_4000	0.071	26.1	01Apr2015, 12:39	1.76
J_JMR_3000	26.025	889.7	02Apr2015, 00:53	1.45
R_JMR_2000	26.025	888	02Apr2015, 01:26	1.43
JMR_2000	0.208	18.5	01Apr2015, 13:29	0.88
J_JMR_2000	26.233	890	02Apr2015, 01:20	1.43
R_JMR_1000	26.233	889.4	02Apr2015, 01:42	1.42
JMR_1000	0.14	20.5	01Apr2015, 12:52	0.95
OUT_JMR_1000	26.373	889.9	02Apr2015, 01:39	1.41

Project: JohnsonsMillRun

Simulation Run: 10YR-FU(Sny)

Start of Run: 01Apr2015, 00:00

Basin Model: Johnsons Mill Run-FU(Snyder)

End of Run: 03Apr2015, 00:00

Meteorilgic Model: 10-YR

Compute Time: 16Dec2015, 12:40:34

Control Specifications: Control 1

Hydrologic Element	Drainage Area (MI2)	Peak Discharge (CFS)	Time of Peak	Volume (IN)
JMR_13563	1.076	110.8	01Apr2015, 22:20	3.56
J_JMR_13563	1.076	110.8	01Apr2015, 22:20	3.56
R_JMR_13562	1.076	103.4	01Apr2015, 22:47	3.48
JMR_13570	0.37	22.8	02Apr2015, 06:29	2.35
J_JMR_13570	0.37	22.8	02Apr2015, 06:29	2.35
R_JMR_13561	0.37	21.6	02Apr2015, 08:02	2.19
JMR_13562	0.111	23.1	01Apr2015, 16:24	4.48
JMR_13561	0.069	23.1	01Apr2015, 14:24	4.57
J_JMR_13561	1.626	138.6	01Apr2015, 22:24	3.3
R_JMR_13560	1.626	110.2	02Apr2015, 03:08	2.93
JMR_13552	0.591	45.5	02Apr2015, 02:30	2.89
JMR_13560	0.591	70.3	01Apr2015, 20:49	3.87
JMR_13553	0.295	56	01Apr2015, 16:51	4.36
J_JMR_13553	0.295	56	01Apr2015, 16:51	4.36
R_JMR_13552	0.295	44.1	01Apr2015, 17:17	4.02
J_JMR_13560	3.103	249.4	02Apr2015, 00:19	3.2
R_JMR_13550	3.103	249	02Apr2015, 01:13	3.18
JMR_13551	0.699	96.2	01Apr2015, 19:04	4
JMR_13541	0.573	93.7	01Apr2015, 17:27	4.04
JMR_13550	0.1	50.7	01Apr2015, 13:23	4.55
J_JMR_13550	4.475	411.3	01Apr2015, 21:41	3.45
R_JMR_13540	4.475	343	02Apr2015, 01:07	3.15
JMR_13533	0.939	56.1	02Apr2015, 06:59	2.26
JMR_13535	0.527	102	01Apr2015, 16:52	4.47
J_JMR_13535	0.527	102	01Apr2015, 16:52	4.47
R_JMR_13534	0.527	90.9	01Apr2015, 17:03	4.34
JMR_13534	0.192	50.8	01Apr2015, 15:06	4.38
J_JMR_13534	1.658	147.8	01Apr2015, 16:57	3.17
R_JMR_13533	1.658	94.3	02Apr2015, 04:16	2.6
JMR_13540	0.03	17.6	01Apr2015, 13:15	5
J_JMR_13540	6.163	436.5	02Apr2015, 01:28	3.01
R_JMR_13531	6.163	436.1	02Apr2015, 02:28	2.96
JMR_13532	1.08	153.5	01Apr2015, 18:36	3.97
JMR_13531	0.619	86.5	01Apr2015, 19:13	4.12
JMR_13542	0.486	176.7	01Apr2015, 13:59	4.27
J_JMR_13542	0.486	176.7	01Apr2015, 13:59	4.27
R_JMR_13532	0.486	111.5	01Apr2015, 14:09	3.79
J_JMR_13531	8.348	678.2	01Apr2015, 22:15	3.23

R_JMR_13530	8.348	676.2	01Apr2015, 23:43	3.14
JMR_13521	0.753	55.4	02Apr2015, 03:14	2.78
JMR_13530	0.144	24.9	01Apr2015, 17:35	4.36
J_JMR_13530	9.245	743.6	02Apr2015, 00:10	3.13
R_JMR_13520	9.245	678.7	02Apr2015, 02:02	2.95
JMR_13520	1.809	109.5	02Apr2015, 06:49	2.3
J_JMR_13520	11.054	774.7	02Apr2015, 03:00	2.84
R_JMR_13600	11.054	773.6	02Apr2015, 03:41	2.78
JMR_13610	0.58	77.9	01Apr2015, 19:31	4.05
JMR_13620	0.259	38.5	01Apr2015, 17:53	3.87
J_JMR_13620	0.259	38.5	01Apr2015, 17:53	3.87
R_JMR_13610	0.259	37.4	01Apr2015, 19:39	3.79
J_JMR_13610	0.839	115.3	01Apr2015, 19:33	3.97
R_JMR_13700	0.839	115.3	01Apr2015, 19:39	3.96
JMR_13700	0.49	40.2	02Apr2015, 00:08	2.96
JMR_13500	0.482	55.7	01Apr2015, 20:02	3.58
JMR_13510	0.305	32.3	01Apr2015, 21:44	3.59
J_JMR_13510	0.305	32.3	01Apr2015, 21:44	3.59
R_JMR_13500	0.305	32.1	01Apr2015, 22:19	3.56
JMR_13600	0.276	65.3	01Apr2015, 15:27	4.24
J_JMR_13500	13.446	995.1	02Apr2015, 01:47	2.94
R_JMR_13400	13.446	994.6	02Apr2015, 02:16	2.9
JMR_13410	0.773	87.3	01Apr2015, 20:08	3.52
J_JMR_13410	0.773	87.3	01Apr2015, 20:08	3.52
R_JMR_13320	0.773	60.1	02Apr2015, 00:02	3.04
JMR_16000	0.579	55	01Apr2015, 22:01	3.24
J_JMR_16000	0.579	55	01Apr2015, 22:01	3.24
R_JMR_13310	0.579	42.4	02Apr2015, 00:56	2.85
JMR_13320	0.539	53.2	01Apr2015, 21:26	3.29
JMR_13310	0.188	44.2	01Apr2015, 15:10	3.92
J_JMR_13310	2.079	177.1	01Apr2015, 21:30	3.13
R_JMR_13300	2.079	177.1	01Apr2015, 21:39	3.12
JMR_13400	0.301	38.4	01Apr2015, 18:37	3.55
JMR_13300	0.059	9.1	01Apr2015, 17:29	3.8
J_JMR_13300	15.885	1194.6	02Apr2015, 01:22	2.94
R_JMR_13200	15.885	1131.9	02Apr2015, 02:25	2.83
JMR_13200	0.61	78.1	01Apr2015, 17:52	3.29
J_JMR_13200	16.495	1183.8	02Apr2015, 01:55	2.85
R_JMR_13100	16.495	1102.4	02Apr2015, 03:18	2.69
JMR_13100	0.509	84.4	01Apr2015, 16:30	3.57
J_JMR_13100	17.004	1141.6	02Apr2015, 02:42	2.72
R_JMR_13000	17.004	1140.9	02Apr2015, 03:13	2.67
JMR_15100	0.594	151.6	01Apr2015, 14:57	4.04
J_JMR_15100	0.594	151.6	01Apr2015, 14:57	4.04
R_JMR_15000	0.594	128.5	01Apr2015, 15:05	3.95
JMR_15000	0.243	74.1	01Apr2015, 14:22	4.09
J_JMR_15000	0.837	200.3	01Apr2015, 14:53	3.99

R_JMR_14000	0.837	179	01Apr2015, 14:59	3.95
JMR_13000	0.37	68.3	01Apr2015, 16:32	4.02
JMR_14000	0.035	25.5	01Apr2015, 12:47	4.24
J_JMR_13000	18.246	1237.5	02Apr2015, 01:45	2.76
R_JMR_12000	18.246	1237.2	02Apr2015, 02:09	2.73
JMR_11120	0.192	26.5	01Apr2015, 16:46	3.07
J_JMR_11120	0.192	26.5	01Apr2015, 16:46	3.07
R_JMR_11110	0.192	21.7	01Apr2015, 17:29	2.85
JMR_11110	0.071	28.2	01Apr2015, 13:30	3.74
J_JMR_11110	0.263	38.6	01Apr2015, 15:46	3.09
R_JMR_11100	0.263	38.6	01Apr2015, 15:53	3.09
JMR_11100	0.257	71.8	01Apr2015, 13:50	3.06
JMR_12000	0.171	43.9	01Apr2015, 14:30	3.57
J_JMR_12000	18.937	1273.7	02Apr2015, 01:28	2.75
R_JMR_11000	18.937	1240.6	02Apr2015, 01:53	2.69
JMR_11000	0.136	47.6	01Apr2015, 14:13	4.51
J_JMR_11000	19.073	1249	02Apr2015, 01:41	2.71
R_JMR_10000	19.073	1248.6	02Apr2015, 02:20	2.66
JMR_9000	0.214	62.3	01Apr2015, 14:10	3.64
JMR_10000	0.196	107.9	01Apr2015, 12:59	3.75
JMR_9100	0.052	22.5	01Apr2015, 13:28	4.02
J_JMR_9100	0.052	22.5	01Apr2015, 13:28	4.02
R_JMR_9000	0.052	22.5	01Apr2015, 13:44	4.02
J_JMR_9000	19.535	1263	02Apr2015, 01:52	2.68
R_JMR_8000	19.535	1255.7	02Apr2015, 03:09	2.67
JMR_7000	0.091	30.9	01Apr2015, 13:34	3.31
JMR_7100	0.086	46.8	01Apr2015, 12:50	3.25
J_JMR_7100	0.086	46.8	01Apr2015, 12:50	3.25
R_JMR_7000	0.086	44.4	01Apr2015, 13:20	3.24
JMR_8000	0.071	29.4	01Apr2015, 13:31	3.93
J_JMR_7000	19.783	1259.6	02Apr2015, 02:56	2.68
R_JMR_6000	19.783	1259.5	02Apr2015, 03:03	2.67
JMR_6000	0.027	15	01Apr2015, 12:49	3.26
J_JMR_6000	19.81	1259.6	02Apr2015, 03:02	2.67
R_JMR_5000	19.81	1259.6	02Apr2015, 03:10	2.67
JMR_5000	0.097	50.4	01Apr2015, 13:16	4.36
J_JMR_5000	19.907	1260.8	02Apr2015, 03:06	2.68
R_JMR_4000	19.907	1260.7	02Apr2015, 03:18	2.67
JMR_3360	0.637	62.1	01Apr2015, 21:10	3.2
JMR_3370	0.207	50.1	01Apr2015, 15:25	4.3
JMR_3380	0.198	49.5	01Apr2015, 14:59	4
J_JMR_3380	0.198	49.5	01Apr2015, 14:59	4
R_JMR_3370	0.198	47.2	01Apr2015, 15:23	3.98
J_JMR_3360	1.042	129.9	01Apr2015, 18:10	3.57
R_JMR_3356	1.042	104.1	01Apr2015, 19:59	3.37
JMR_3356	0.284	69.9	01Apr2015, 14:48	3.74
J_JMR_3356	1.326	156.8	01Apr2015, 16:35	3.45

R_JMR_3354	1.326	154.6	01Apr2015, 18:35	3.41
JMR_3354	0.337	82.1	01Apr2015, 14:18	3.18
JMR_3355	0.043	35.3	01Apr2015, 12:41	4.3
J_JMR_3354	1.706	217.6	01Apr2015, 16:47	3.39
R_JMR_3353	1.706	201.9	01Apr2015, 17:03	3.35
JMR_3353	0.093	68.7	01Apr2015, 12:44	4.07
J_JMR_3353	1.799	216.2	01Apr2015, 16:10	3.39
R_JMR_3352	1.799	215.5	01Apr2015, 16:55	3.37
JMR_3321	0.324	97.8	01Apr2015, 14:07	3.7
JMR_3320	0.232	83.2	01Apr2015, 14:05	4.38
J_JMR_3320	0.232	83.2	01Apr2015, 14:05	4.38
R_JMR_3319	0.232	83	01Apr2015, 14:20	4.38
JMR_3322	0.131	32.4	01Apr2015, 14:52	3.82
J_JMR_3322	0.131	32.4	01Apr2015, 14:52	3.82
R_JMR_3321	0.131	30.1	01Apr2015, 16:25	3.79
JMR_3319	0.026	33.7	01Apr2015, 12:21	4.32
J_JMR_3319	0.713	203.6	01Apr2015, 14:25	3.96
R_JMR_3317	0.713	180.5	01Apr2015, 15:17	3.96
JMR_3317	0.275	32.3	01Apr2015, 18:46	3.3
JMR_3318	0.272	24	01Apr2015, 18:01	2.23
J_JMR_3317	1.26	219.3	01Apr2015, 16:08	3.44
R_JMR_3351	1.26	219.3	01Apr2015, 16:09	3.44
JMR_3352	0.175	54.5	01Apr2015, 14:25	4.25
JMR_3351	0.052	9.7	01Apr2015, 15:14	3.16
J_JMR_3351	3.286	490.1	01Apr2015, 16:01	3.44
R_JMR_3350	3.286	487.9	01Apr2015, 16:16	3.44
JMR_3313	0.092	26.5	01Apr2015, 13:55	3.27
JMR_3350	0.08	25.3	01Apr2015, 13:51	3.5
J_JMR_3350	3.458	527.4	01Apr2015, 15:59	3.44
R_JMR_3312	3.458	508.2	01Apr2015, 16:07	3.43
JMR_11130	0.412	76.8	01Apr2015, 15:11	3.1
J_JMR_11130	0.412	76.8	01Apr2015, 15:11	3.1
R_JMR_3341	0.412	67.3	01Apr2015, 15:17	2.95
JMR_3341	0.112	22.4	01Apr2015, 14:52	3.09
J_JMR_3341	0.524	89.6	01Apr2015, 15:11	2.98
R_JMR_3340	0.524	74.9	01Apr2015, 19:25	2.9
JMR_3340	0.244	69.3	01Apr2015, 13:49	3.09
JMR_3312	0.144	66.9	01Apr2015, 13:12	3.68
J_JMR_3312	4.37	645.9	01Apr2015, 15:57	3.36
R_JMR_3310	4.37	602.6	01Apr2015, 16:13	3.34
JMR_3331	0.263	105.6	01Apr2015, 13:29	3.74
JMR_3332	0.044	7.7	01Apr2015, 14:36	2.5
J_JMR_3332	0.044	7.7	01Apr2015, 14:36	2.5
R_JMR_3331	0.044	7.3	01Apr2015, 16:06	2.48
J_JMR_3331	0.307	106.4	01Apr2015, 13:31	3.56
R_JMR_3330	0.307	95.4	01Apr2015, 13:32	3.42
JMR_3330	0.206	36.8	01Apr2015, 14:58	2.82

JMR_3310	0.058	15.2	01Apr2015, 13:32	2.53
J_JMR_3310	4.941	720.3	01Apr2015, 15:35	3.31
R_JMR_3300	4.941	712.8	01Apr2015, 16:26	3.31
JMR_3210	0.204	38	01Apr2015, 15:23	3.25
J_JMR_3210	0.204	38	01Apr2015, 15:23	3.25
R_JMR_3200	0.204	37.9	01Apr2015, 15:39	3.25
JMR_3200	0.113	54.5	01Apr2015, 12:48	2.77
JMR_3300	0.113	34.5	01Apr2015, 13:02	2.17
J_JMR_3200	5.371	780.4	01Apr2015, 16:08	3.27
R_JMR_3100	5.371	747	01Apr2015, 17:13	3.27
JMR_3100	0.502	51.1	01Apr2015, 18:45	2.83
J_JMR_3100	5.873	794	01Apr2015, 17:24	3.24
R_JMR_3000	5.873	793.7	01Apr2015, 17:40	3.23
JMR_3000	0.174	43.1	01Apr2015, 14:12	3.12
JMR_4000	0.071	53.2	01Apr2015, 12:37	3.5
J_JMR_3000	26.025	1754.2	02Apr2015, 00:30	2.8
R_JMR_2000	26.025	1751.1	02Apr2015, 01:02	2.77
JMR_2000	0.208	52.5	01Apr2015, 13:19	2.19
J_JMR_2000	26.233	1756.2	02Apr2015, 00:54	2.77
R_JMR_1000	26.233	1754.8	02Apr2015, 01:17	2.75
JMR_1000	0.14	56.6	01Apr2015, 12:47	2.3
OUT_JMR_1000	26.373	1756.5	02Apr2015, 01:12	2.75

Project: JohnsonsMillRun

Simulation Run: 25YR-FU(Sny)

Start of Run: 01Apr2015, 00:00

Basin Model: Johnsons Mill Run-FU(Snyder)

End of Run: 03Apr2015, 00:00

Meteorilgic Model: 25-YR

Compute Time: 16Dec2015, 12:40:34

Control Specifications: Control 1

Hydrologic Element	Drainage Area (MI2)	Peak Discharge (CFS)	Time of Peak	Volume (IN)
JMR_13563	1.076	144.7	01Apr2015, 22:17	4.66
J_JMR_13563	1.076	144.7	01Apr2015, 22:17	4.66
R_JMR_13562	1.076	135.3	01Apr2015, 22:39	4.56
JMR_13570	0.37	29.8	02Apr2015, 06:27	3.07
J_JMR_13570	0.37	29.8	02Apr2015, 06:27	3.07
R_JMR_13561	0.37	28.2	02Apr2015, 07:52	2.88
JMR_13562	0.111	30.2	01Apr2015, 16:22	5.84
JMR_13561	0.069	30.1	01Apr2015, 14:23	5.96
J_JMR_13561	1.626	181.3	01Apr2015, 22:19	4.32
R_JMR_13560	1.626	144.9	02Apr2015, 02:39	3.84
JMR_13552	0.591	59.3	02Apr2015, 02:28	3.78
JMR_13560	0.591	91.6	01Apr2015, 20:46	5.05
JMR_13553	0.295	73.3	01Apr2015, 16:49	5.71
J_JMR_13553	0.295	73.3	01Apr2015, 16:49	5.71
R_JMR_13552	0.295	57.1	01Apr2015, 17:16	5.24
J_JMR_13560	3.103	326.8	02Apr2015, 00:07	4.19
R_JMR_13550	3.103	326.4	02Apr2015, 00:53	4.15
JMR_13551	0.699	126.4	01Apr2015, 19:01	5.26
JMR_13541	0.573	124.3	01Apr2015, 17:24	5.35
JMR_13550	0.1	65.8	01Apr2015, 13:22	5.93
J_JMR_13550	4.475	541.9	01Apr2015, 21:30	4.52
R_JMR_13540	4.475	454.7	02Apr2015, 00:37	4.14
JMR_13533	0.939	73.2	02Apr2015, 06:56	2.97
JMR_13535	0.527	132.9	01Apr2015, 16:50	5.82
J_JMR_13535	0.527	132.9	01Apr2015, 16:50	5.82
R_JMR_13534	0.527	118.6	01Apr2015, 17:00	5.69
JMR_13534	0.192	66.7	01Apr2015, 15:05	5.74
J_JMR_13534	1.658	193.6	01Apr2015, 16:54	4.15
R_JMR_13533	1.658	124	02Apr2015, 03:44	3.42
JMR_13540	0.03	22.4	01Apr2015, 13:15	6.4
J_JMR_13540	6.163	577.7	02Apr2015, 00:55	3.95
R_JMR_13531	6.163	577.2	02Apr2015, 01:51	3.88
JMR_13532	1.08	202.8	01Apr2015, 18:32	5.24
JMR_13531	0.619	112.9	01Apr2015, 19:11	5.38
JMR_13542	0.486	233.3	01Apr2015, 13:58	5.63
J_JMR_13542	0.486	233.3	01Apr2015, 13:58	5.63
R_JMR_13532	0.486	149.9	01Apr2015, 14:06	5.09
J_JMR_13531	8.348	903.3	01Apr2015, 21:52	4.24

R_JMR_13530	8.348	901.5	01Apr2015, 22:59	4.14
JMR_13521	0.753	72.3	02Apr2015, 03:12	3.63
JMR_13530	0.144	32.5	01Apr2015, 17:33	5.69
J_JMR_13530	9.245	987.4	01Apr2015, 23:27	4.12
R_JMR_13520	9.245	902.5	02Apr2015, 01:20	3.89
JMR_13520	1.809	142.9	02Apr2015, 06:47	3.01
J_JMR_13520	11.054	1023.9	02Apr2015, 02:27	3.75
R_JMR_13600	11.054	1022.6	02Apr2015, 03:02	3.67
JMR_13610	0.58	101.8	01Apr2015, 19:29	5.29
JMR_13620	0.259	51.5	01Apr2015, 17:50	5.15
J_JMR_13620	0.259	51.5	01Apr2015, 17:50	5.15
R_JMR_13610	0.259	49.9	01Apr2015, 19:29	5.06
J_JMR_13610	0.839	151.7	01Apr2015, 19:29	5.22
R_JMR_13700	0.839	151.7	01Apr2015, 19:34	5.21
JMR_13700	0.49	53.5	02Apr2015, 00:02	3.94
JMR_13500	0.482	74.2	01Apr2015, 19:57	4.77
JMR_13510	0.305	42.4	01Apr2015, 21:41	4.71
J_JMR_13510	0.305	42.4	01Apr2015, 21:41	4.71
R_JMR_13500	0.305	42.1	01Apr2015, 22:12	4.67
JMR_13600	0.276	86.4	01Apr2015, 15:26	5.6
J_JMR_13500	13.446	1323.4	02Apr2015, 01:03	3.88
R_JMR_13400	13.446	1323	02Apr2015, 01:29	3.83
JMR_13410	0.773	116.7	01Apr2015, 20:04	4.7
J_JMR_13410	0.773	116.7	01Apr2015, 20:04	4.7
R_JMR_13320	0.773	81.5	02Apr2015, 00:25	4.17
JMR_16000	0.579	73.5	01Apr2015, 21:56	4.32
J_JMR_16000	0.579	73.5	01Apr2015, 21:56	4.32
R_JMR_13310	0.579	55.3	02Apr2015, 01:12	3.8
JMR_13320	0.539	71.3	01Apr2015, 21:21	4.4
JMR_13310	0.188	59.6	01Apr2015, 15:07	5.25
J_JMR_13310	2.079	235.4	01Apr2015, 21:30	4.23
R_JMR_13300	2.079	235.3	01Apr2015, 21:49	4.22
JMR_13400	0.301	52	01Apr2015, 18:32	4.78
JMR_13300	0.059	12.2	01Apr2015, 17:26	5.09
J_JMR_13300	15.885	1596.5	02Apr2015, 00:39	3.9
R_JMR_13200	15.885	1515.6	02Apr2015, 01:39	3.77
JMR_13200	0.61	107.8	01Apr2015, 17:46	4.51
J_JMR_13200	16.495	1589.8	02Apr2015, 01:09	3.79
R_JMR_13100	16.495	1484	02Apr2015, 02:26	3.6
JMR_13100	0.509	115.5	01Apr2015, 16:26	4.85
J_JMR_13100	17.004	1541.4	02Apr2015, 01:51	3.64
R_JMR_13000	17.004	1540.5	02Apr2015, 02:18	3.58
JMR_15100	0.594	202.8	01Apr2015, 14:55	5.38
J_JMR_15100	0.594	202.8	01Apr2015, 14:55	5.38
R_JMR_15000	0.594	174.8	01Apr2015, 15:02	5.3
JMR_15000	0.243	98.9	01Apr2015, 14:21	5.44
J_JMR_15000	0.837	270.4	01Apr2015, 14:51	5.34

R_JMR_14000	0.837	244.4	01Apr2015, 14:55	5.3
JMR_13000	0.37	91.2	01Apr2015, 16:29	5.35
JMR_14000	0.035	33.5	01Apr2015, 12:47	5.6
J_JMR_13000	18.246	1680.9	02Apr2015, 00:50	3.7
R_JMR_12000	18.246	1680.6	02Apr2015, 01:11	3.66
JMR_11120	0.192	37.3	01Apr2015, 16:39	4.28
J_JMR_11120	0.192	37.3	01Apr2015, 16:39	4.28
R_JMR_11110	0.192	30.7	01Apr2015, 17:15	4.01
JMR_11110	0.071	38.3	01Apr2015, 13:29	5.05
J_JMR_11110	0.263	53.5	01Apr2015, 15:43	4.29
R_JMR_11100	0.263	53.5	01Apr2015, 15:50	4.29
JMR_11100	0.257	102.1	01Apr2015, 13:47	4.29
JMR_12000	0.171	60.4	01Apr2015, 14:27	4.86
J_JMR_12000	18.937	1738.5	02Apr2015, 00:34	3.69
R_JMR_11000	18.937	1694.6	02Apr2015, 00:54	3.62
JMR_11000	0.136	62.1	01Apr2015, 14:13	5.89
J_JMR_11000	19.073	1707.6	02Apr2015, 00:46	3.64
R_JMR_10000	19.073	1707.1	02Apr2015, 01:18	3.58
JMR_9000	0.214	85.2	01Apr2015, 14:08	4.94
JMR_10000	0.196	146.1	01Apr2015, 12:58	5.06
JMR_9100	0.052	30.1	01Apr2015, 13:27	5.36
J_JMR_9100	0.052	30.1	01Apr2015, 13:27	5.36
R_JMR_9000	0.052	30	01Apr2015, 13:42	5.36
J_JMR_9000	19.535	1733.5	02Apr2015, 00:47	3.61
R_JMR_8000	19.535	1722.5	02Apr2015, 02:01	3.6
JMR_7000	0.091	43.2	01Apr2015, 13:33	4.57
JMR_7100	0.086	65.4	01Apr2015, 12:49	4.5
J_JMR_7100	0.086	65.4	01Apr2015, 12:49	4.5
R_JMR_7000	0.086	58.6	01Apr2015, 13:39	4.45
JMR_8000	0.071	39.5	01Apr2015, 13:30	5.26
J_JMR_7000	19.783	1730.9	02Apr2015, 01:47	3.61
R_JMR_6000	19.783	1730.8	02Apr2015, 01:53	3.6
JMR_6000	0.027	21	01Apr2015, 12:48	4.51
J_JMR_6000	19.81	1731.2	02Apr2015, 01:52	3.61
R_JMR_5000	19.81	1731.1	02Apr2015, 02:00	3.6
JMR_5000	0.097	66.1	01Apr2015, 13:15	5.72
J_JMR_5000	19.907	1733.9	02Apr2015, 01:54	3.61
R_JMR_4000	19.907	1733.6	02Apr2015, 02:06	3.59
JMR_3360	0.637	83.8	01Apr2015, 21:04	4.31
JMR_3370	0.207	66.1	01Apr2015, 15:23	5.66
JMR_3380	0.198	66.4	01Apr2015, 14:57	5.33
J_JMR_3380	0.198	66.4	01Apr2015, 14:57	5.33
R_JMR_3370	0.198	61.1	01Apr2015, 15:17	5.28
J_JMR_3360	1.042	173.3	01Apr2015, 18:11	4.76
R_JMR_3356	1.042	139.8	01Apr2015, 19:48	4.54
JMR_3356	0.284	95.1	01Apr2015, 14:46	5.05
J_JMR_3356	1.326	211	01Apr2015, 16:35	4.65

R_JMR_3354	1.326	208.2	01Apr2015, 18:35	4.61
JMR_3354	0.337	115.7	01Apr2015, 14:15	4.42
JMR_3355	0.043	46.2	01Apr2015, 12:41	5.67
J_JMR_3354	1.706	293.2	01Apr2015, 16:57	4.6
R_JMR_3353	1.706	274.7	01Apr2015, 17:12	4.57
JMR_3353	0.093	91.1	01Apr2015, 12:44	5.42
J_JMR_3353	1.799	291.3	01Apr2015, 16:38	4.61
R_JMR_3352	1.799	289.8	01Apr2015, 17:24	4.59
JMR_3321	0.324	133.3	01Apr2015, 14:05	5.01
JMR_3320	0.232	109.3	01Apr2015, 14:04	5.75
J_JMR_3320	0.232	109.3	01Apr2015, 14:04	5.75
R_JMR_3319	0.232	108.8	01Apr2015, 14:22	5.75
JMR_3322	0.131	43.8	01Apr2015, 14:50	5.14
J_JMR_3322	0.131	43.8	01Apr2015, 14:50	5.14
R_JMR_3321	0.131	40.7	01Apr2015, 16:17	5.1
JMR_3319	0.026	44	01Apr2015, 12:21	5.69
J_JMR_3319	0.713	274.6	01Apr2015, 14:25	5.29
R_JMR_3317	0.713	244.2	01Apr2015, 15:08	5.28
JMR_3317	0.275	44.3	01Apr2015, 18:39	4.51
JMR_3318	0.272	35.8	01Apr2015, 17:45	3.28
J_JMR_3317	1.26	299	01Apr2015, 16:02	4.68
R_JMR_3351	1.26	299	01Apr2015, 16:05	4.68
JMR_3352	0.175	72	01Apr2015, 14:24	5.61
JMR_3351	0.052	13.7	01Apr2015, 15:10	4.39
J_JMR_3351	3.286	657.2	01Apr2015, 16:09	4.68
R_JMR_3350	3.286	655	01Apr2015, 16:22	4.68
JMR_3313	0.092	37.1	01Apr2015, 13:53	4.52
JMR_3350	0.08	35	01Apr2015, 13:49	4.78
J_JMR_3350	3.458	708.3	01Apr2015, 16:00	4.67
R_JMR_3312	3.458	685.1	01Apr2015, 16:08	4.66
JMR_11130	0.412	108.7	01Apr2015, 15:06	4.33
J_JMR_11130	0.412	108.7	01Apr2015, 15:06	4.33
R_JMR_3341	0.412	95.6	01Apr2015, 15:13	4.16
JMR_3341	0.112	31.8	01Apr2015, 14:49	4.32
J_JMR_3341	0.524	127.1	01Apr2015, 15:07	4.2
R_JMR_3340	0.524	106.7	01Apr2015, 19:10	4.14
JMR_3340	0.244	98.3	01Apr2015, 13:47	4.32
JMR_3312	0.144	91.1	01Apr2015, 13:11	4.99
J_JMR_3312	4.37	875.4	01Apr2015, 16:02	4.59
R_JMR_3310	4.37	823.3	01Apr2015, 16:18	4.55
JMR_3331	0.263	143.5	01Apr2015, 13:28	5.05
JMR_3332	0.044	11.4	01Apr2015, 14:31	3.63
J_JMR_3332	0.044	11.4	01Apr2015, 14:31	3.63
R_JMR_3331	0.044	10.8	01Apr2015, 15:54	3.59
J_JMR_3331	0.307	145.6	01Apr2015, 13:31	4.84
R_JMR_3330	0.307	131	01Apr2015, 13:32	4.69
JMR_3330	0.206	53.2	01Apr2015, 14:53	4

JMR_3310	0.058	22.6	01Apr2015, 13:30	3.66
J_JMR_3310	4.941	986.4	01Apr2015, 15:28	4.53
R_JMR_3300	4.941	981.3	01Apr2015, 16:07	4.52
JMR_3210	0.204	53.2	01Apr2015, 15:19	4.5
J_JMR_3210	0.204	53.2	01Apr2015, 15:19	4.5
R_JMR_3200	0.204	52.6	01Apr2015, 15:57	4.5
JMR_3200	0.113	79	01Apr2015, 12:47	3.95
JMR_3300	0.113	53.2	01Apr2015, 13:00	3.23
J_JMR_3200	5.371	1081.3	01Apr2015, 15:48	4.48
R_JMR_3100	5.371	1034.6	01Apr2015, 16:53	4.48
JMR_3100	0.502	72.3	01Apr2015, 18:34	3.97
J_JMR_3100	5.873	1098.8	01Apr2015, 17:06	4.44
R_JMR_3000	5.873	1098.5	01Apr2015, 17:21	4.44
JMR_3000	0.174	61	01Apr2015, 14:09	4.35
JMR_4000	0.071	72.9	01Apr2015, 12:36	4.78
J_JMR_3000	26.025	2441.7	01Apr2015, 23:33	3.79
R_JMR_2000	26.025	2422.1	02Apr2015, 00:46	3.76
JMR_2000	0.208	80.9	01Apr2015, 13:17	3.25
J_JMR_2000	26.233	2429.8	02Apr2015, 00:40	3.76
R_JMR_1000	26.233	2427.7	02Apr2015, 01:04	3.73
JMR_1000	0.14	85.9	01Apr2015, 12:46	3.39
OUT_JMR_1000	26.373	2430.5	02Apr2015, 00:58	3.73

Project: JohnsonsMillRun

Simulation Run: 50YR-FU(Sny)

Start of Run: 01Apr2015, 00:00

Basin Model: Johnsons Mill Run-FU(Snyder)

End of Run: 03Apr2015, 00:00

Meteorilgic Model: 50-YR

Compute Time: 16Dec2015, 12:40:34

Control Specifications: Control 1

Hydrologic Element	Drainage Area (MI2)	Peak Discharge (CFS)	Time of Peak	Volume (IN)
JMR_13563	1.076	174.5	01Apr2015, 22:15	5.62
J_JMR_13563	1.076	174.5	01Apr2015, 22:15	5.62
R_JMR_13562	1.076	163.4	01Apr2015, 22:34	5.5
JMR_13570	0.37	35.9	02Apr2015, 06:25	3.71
J_JMR_13570	0.37	35.9	02Apr2015, 06:25	3.71
R_JMR_13561	0.37	33	02Apr2015, 07:23	3.45
JMR_13562	0.111	36.4	01Apr2015, 16:21	7.04
JMR_13561	0.069	36.1	01Apr2015, 14:23	7.17
J_JMR_13561	1.626	219.1	01Apr2015, 22:16	5.21
R_JMR_13560	1.626	175.5	02Apr2015, 02:10	4.63
JMR_13552	0.591	71.5	02Apr2015, 02:26	4.56
JMR_13560	0.591	110.3	01Apr2015, 20:45	6.08
JMR_13553	0.295	88.6	01Apr2015, 16:48	6.89
J_JMR_13553	0.295	88.6	01Apr2015, 16:48	6.89
R_JMR_13552	0.295	68.7	01Apr2015, 17:16	6.36
J_JMR_13560	3.103	395.3	01Apr2015, 23:57	5.06
R_JMR_13550	3.103	394.9	02Apr2015, 00:41	5.01
JMR_13551	0.699	153	01Apr2015, 19:00	6.36
JMR_13541	0.573	151.4	01Apr2015, 17:22	6.51
JMR_13550	0.1	79.1	01Apr2015, 13:22	7.15
J_JMR_13550	4.475	657.3	01Apr2015, 21:22	5.46
R_JMR_13540	4.475	554.5	02Apr2015, 00:16	5.01
JMR_13533	0.939	88.4	02Apr2015, 06:55	3.59
JMR_13535	0.527	160	01Apr2015, 16:49	7.01
J_JMR_13535	0.527	160	01Apr2015, 16:49	7.01
R_JMR_13534	0.527	143.1	01Apr2015, 16:59	6.87
JMR_13534	0.192	80.8	01Apr2015, 15:04	6.95
J_JMR_13534	1.658	234	01Apr2015, 16:52	5.02
R_JMR_13533	1.658	149.7	02Apr2015, 03:21	4.13
JMR_13540	0.03	26.5	01Apr2015, 13:15	7.63
J_JMR_13540	6.163	703.1	02Apr2015, 00:36	4.78
R_JMR_13531	6.163	702.5	02Apr2015, 01:28	4.7
JMR_13532	1.08	246.4	01Apr2015, 18:31	6.36
JMR_13531	0.619	136	01Apr2015, 19:10	6.48
JMR_13542	0.486	282.9	01Apr2015, 13:57	6.84
J_JMR_13542	0.486	282.9	01Apr2015, 13:57	6.84
R_JMR_13532	0.486	184.7	01Apr2015, 14:06	6.25
J_JMR_13531	8.348	1104	01Apr2015, 21:32	5.14

R_JMR_13530	8.348	1101.8	01Apr2015, 22:34	5.01
JMR_13521	0.753	87.1	02Apr2015, 03:11	4.39
JMR_13530	0.144	39.1	01Apr2015, 17:31	6.86
J_JMR_13530	9.245	1203.9	01Apr2015, 23:02	4.99
R_JMR_13520	9.245	1102.4	02Apr2015, 00:50	4.73
JMR_13520	1.809	172.3	02Apr2015, 06:45	3.64
J_JMR_13520	11.054	1245.2	02Apr2015, 02:04	4.55
R_JMR_13600	11.054	1243.8	02Apr2015, 02:37	4.47
JMR_13610	0.58	122.7	01Apr2015, 19:27	6.38
JMR_13620	0.259	62.9	01Apr2015, 17:48	6.28
J_JMR_13620	0.259	62.9	01Apr2015, 17:48	6.28
R_JMR_13610	0.259	61	01Apr2015, 19:22	6.18
J_JMR_13610	0.839	183.7	01Apr2015, 19:26	6.32
R_JMR_13700	0.839	183.6	01Apr2015, 19:39	6.31
JMR_13700	0.49	65.2	01Apr2015, 23:59	4.82
JMR_13500	0.482	90.7	01Apr2015, 19:55	5.82
JMR_13510	0.305	51.3	01Apr2015, 21:39	5.7
J_JMR_13510	0.305	51.3	01Apr2015, 21:39	5.7
R_JMR_13500	0.305	50.9	01Apr2015, 22:08	5.65
JMR_13600	0.276	105	01Apr2015, 15:25	6.8
J_JMR_13500	13.446	1616	02Apr2015, 00:33	4.72
R_JMR_13400	13.446	1615.4	02Apr2015, 00:57	4.66
JMR_13410	0.773	142.7	01Apr2015, 20:01	5.74
J_JMR_13410	0.773	142.7	01Apr2015, 20:01	5.74
R_JMR_13320	0.773	100.2	02Apr2015, 00:15	5.15
JMR_16000	0.579	89.8	01Apr2015, 21:53	5.28
J_JMR_16000	0.579	89.8	01Apr2015, 21:53	5.28
R_JMR_13310	0.579	67.4	02Apr2015, 01:15	4.68
JMR_13320	0.539	87.3	01Apr2015, 21:18	5.38
JMR_13310	0.188	73.1	01Apr2015, 15:06	6.44
J_JMR_13310	2.079	287.9	01Apr2015, 21:29	5.2
R_JMR_13300	2.079	287.8	01Apr2015, 21:49	5.19
JMR_13400	0.301	64	01Apr2015, 18:29	5.88
JMR_13300	0.059	14.9	01Apr2015, 17:23	6.23
J_JMR_13300	15.885	1954.3	02Apr2015, 00:10	4.76
R_JMR_13200	15.885	1858.2	02Apr2015, 01:08	4.6
JMR_13200	0.61	134.6	01Apr2015, 17:42	5.61
J_JMR_13200	16.495	1953.1	02Apr2015, 00:36	4.63
R_JMR_13100	16.495	1826.6	02Apr2015, 01:52	4.42
JMR_13100	0.509	143.3	01Apr2015, 16:23	6
J_JMR_13100	17.004	1900.9	02Apr2015, 01:16	4.46
R_JMR_13000	17.004	1900	02Apr2015, 01:40	4.4
JMR_15100	0.594	248	01Apr2015, 14:54	6.57
J_JMR_15100	0.594	248	01Apr2015, 14:54	6.57
R_JMR_15000	0.594	216	01Apr2015, 15:00	6.5
JMR_15000	0.243	120.6	01Apr2015, 14:20	6.63
J_JMR_15000	0.837	332.7	01Apr2015, 14:50	6.54

R_JMR_14000	0.837	303	01Apr2015, 14:53	6.5
JMR_13000	0.37	111.4	01Apr2015, 16:27	6.52
JMR_14000	0.035	40.5	01Apr2015, 12:47	6.8
J_JMR_13000	18.246	2081.3	02Apr2015, 00:13	4.54
R_JMR_12000	18.246	2081	02Apr2015, 00:31	4.5
JMR_11120	0.192	47.2	01Apr2015, 16:36	5.38
J_JMR_11120	0.192	47.2	01Apr2015, 16:36	5.38
R_JMR_11110	0.192	39	01Apr2015, 17:06	5.09
JMR_11110	0.071	47.3	01Apr2015, 13:28	6.22
J_JMR_11110	0.263	67.1	01Apr2015, 15:41	5.4
R_JMR_11100	0.263	67.1	01Apr2015, 15:53	5.39
JMR_11100	0.257	129.5	01Apr2015, 13:46	5.4
JMR_12000	0.171	75	01Apr2015, 14:26	6.02
J_JMR_12000	18.937	2158.2	01Apr2015, 23:53	4.53
R_JMR_11000	18.937	2105.3	02Apr2015, 00:19	4.46
JMR_11000	0.136	74.8	01Apr2015, 14:12	7.1
J_JMR_11000	19.073	2122.3	02Apr2015, 00:09	4.48
R_JMR_10000	19.073	2121.9	02Apr2015, 00:38	4.4
JMR_9000	0.214	105.6	01Apr2015, 14:07	6.1
JMR_10000	0.196	179.8	01Apr2015, 12:58	6.24
JMR_9100	0.052	36.8	01Apr2015, 13:26	6.55
J_JMR_9100	0.052	36.8	01Apr2015, 13:26	6.55
R_JMR_9000	0.052	36.7	01Apr2015, 13:40	6.55
J_JMR_9000	19.535	2159.4	02Apr2015, 00:12	4.45
R_JMR_8000	19.535	2144.1	02Apr2015, 01:27	4.42
JMR_7000	0.091	54.1	01Apr2015, 13:32	5.71
JMR_7100	0.086	82.1	01Apr2015, 12:49	5.62
J_JMR_7100	0.086	82.1	01Apr2015, 12:49	5.62
R_JMR_7000	0.086	71.6	01Apr2015, 13:46	5.56
JMR_8000	0.071	48.4	01Apr2015, 13:29	6.44
J_JMR_7000	19.783	2157.1	02Apr2015, 01:11	4.44
R_JMR_6000	19.783	2156.9	02Apr2015, 01:19	4.43
JMR_6000	0.027	26.3	01Apr2015, 12:48	5.64
J_JMR_6000	19.81	2157.6	02Apr2015, 01:17	4.43
R_JMR_5000	19.81	2156.7	02Apr2015, 01:35	4.42
JMR_5000	0.097	79.9	01Apr2015, 13:15	6.93
J_JMR_5000	19.907	2160.7	02Apr2015, 01:29	4.44
R_JMR_4000	19.907	2159.1	02Apr2015, 01:53	4.42
JMR_3360	0.637	103.1	01Apr2015, 21:01	5.31
JMR_3370	0.207	80.2	01Apr2015, 15:22	6.86
JMR_3380	0.198	81.4	01Apr2015, 14:56	6.52
J_JMR_3380	0.198	81.4	01Apr2015, 14:56	6.52
R_JMR_3370	0.198	73.5	01Apr2015, 15:19	6.43
J_JMR_3360	1.042	211.9	01Apr2015, 18:18	5.83
R_JMR_3356	1.042	172.3	01Apr2015, 19:41	5.56
JMR_3356	0.284	117.5	01Apr2015, 14:45	6.22
J_JMR_3356	1.326	259.6	01Apr2015, 16:30	5.7

R_JMR_3354	1.326	256.1	01Apr2015, 18:31	5.65
JMR_3354	0.337	146.1	01Apr2015, 14:14	5.54
JMR_3355	0.043	55.7	01Apr2015, 12:41	6.87
J_JMR_3354	1.706	362.5	01Apr2015, 16:56	5.66
R_JMR_3353	1.706	340.8	01Apr2015, 17:08	5.63
JMR_3353	0.093	110.7	01Apr2015, 12:44	6.61
J_JMR_3353	1.799	360.8	01Apr2015, 16:40	5.68
R_JMR_3352	1.799	359.2	01Apr2015, 17:21	5.66
JMR_3321	0.324	164.9	01Apr2015, 14:04	6.17
JMR_3320	0.232	132.1	01Apr2015, 14:03	6.96
J_JMR_3320	0.232	132.1	01Apr2015, 14:03	6.96
R_JMR_3319	0.232	131.4	01Apr2015, 14:23	6.95
JMR_3322	0.131	54	01Apr2015, 14:49	6.32
J_JMR_3322	0.131	54	01Apr2015, 14:49	6.32
R_JMR_3321	0.131	50	01Apr2015, 16:11	6.27
JMR_3319	0.026	52.9	01Apr2015, 12:21	6.9
J_JMR_3319	0.713	337.4	01Apr2015, 14:24	6.47
R_JMR_3317	0.713	303.6	01Apr2015, 15:04	6.47
JMR_3317	0.275	55.1	01Apr2015, 18:36	5.58
JMR_3318	0.272	46.9	01Apr2015, 17:36	4.26
J_JMR_3317	1.26	372.4	01Apr2015, 15:53	5.8
R_JMR_3351	1.26	372.4	01Apr2015, 15:56	5.8
JMR_3352	0.175	87.4	01Apr2015, 14:23	6.81
JMR_3351	0.052	17.4	01Apr2015, 15:08	5.51
J_JMR_3351	3.286	812.4	01Apr2015, 16:12	5.77
R_JMR_3350	3.286	811	01Apr2015, 16:20	5.77
JMR_3313	0.092	46.7	01Apr2015, 13:52	5.65
JMR_3350	0.08	43.6	01Apr2015, 13:48	5.93
J_JMR_3350	3.458	877.5	01Apr2015, 15:57	5.77
R_JMR_3312	3.458	850.6	01Apr2015, 16:04	5.75
JMR_11130	0.412	137.7	01Apr2015, 15:04	5.44
J_JMR_11130	0.412	137.7	01Apr2015, 15:04	5.44
R_JMR_3341	0.412	121.5	01Apr2015, 15:10	5.27
JMR_3341	0.112	40.3	01Apr2015, 14:46	5.43
J_JMR_3341	0.524	161.4	01Apr2015, 15:05	5.31
R_JMR_3340	0.524	138.2	01Apr2015, 18:38	5.29
JMR_3340	0.244	124.5	01Apr2015, 13:45	5.43
JMR_3312	0.144	112.5	01Apr2015, 13:10	6.15
J_JMR_3312	4.37	1093.4	01Apr2015, 16:06	5.69
R_JMR_3310	4.37	1034	01Apr2015, 16:21	5.64
JMR_3331	0.263	176.9	01Apr2015, 13:27	6.22
JMR_3332	0.044	14.9	01Apr2015, 14:28	4.67
J_JMR_3332	0.044	14.9	01Apr2015, 14:28	4.67
R_JMR_3331	0.044	14	01Apr2015, 15:47	4.63
J_JMR_3331	0.307	180.8	01Apr2015, 13:30	5.99
R_JMR_3330	0.307	163.2	01Apr2015, 13:32	5.83
JMR_3330	0.206	68.2	01Apr2015, 14:51	5.08

JMR_3310	0.058	29.4	01Apr2015, 13:28	4.7
J_JMR_3310	4.941	1237.5	01Apr2015, 15:24	5.62
R_JMR_3300	4.941	1231.9	01Apr2015, 16:01	5.61
JMR_3210	0.204	66.9	01Apr2015, 15:17	5.63
J_JMR_3210	0.204	66.9	01Apr2015, 15:17	5.63
R_JMR_3200	0.204	65.8	01Apr2015, 16:01	5.62
JMR_3200	0.113	101.3	01Apr2015, 12:46	5.03
JMR_3300	0.113	70.8	01Apr2015, 12:59	4.22
J_JMR_3200	5.371	1359.6	01Apr2015, 15:42	5.57
R_JMR_3100	5.371	1303.6	01Apr2015, 16:43	5.57
JMR_3100	0.502	91.6	01Apr2015, 18:29	5.01
J_JMR_3100	5.873	1383.6	01Apr2015, 16:57	5.52
R_JMR_3000	5.873	1383.2	01Apr2015, 17:10	5.51
JMR_3000	0.174	77.2	01Apr2015, 14:08	5.47
JMR_4000	0.071	90.3	01Apr2015, 12:36	5.93
J_JMR_3000	26.025	3054.9	01Apr2015, 22:09	4.68
R_JMR_2000	26.025	3033.7	01Apr2015, 23:36	4.64
JMR_2000	0.208	107.6	01Apr2015, 13:15	4.24
J_JMR_2000	26.233	3046.1	01Apr2015, 23:33	4.63
R_JMR_1000	26.233	3042.5	01Apr2015, 23:58	4.61
JMR_1000	0.14	113.1	01Apr2015, 12:45	4.4
OUT_JMR_1000	26.373	3049	01Apr2015, 23:57	4.6

Project: JohnsonsMillRun

Simulation Run: 100YR-FU(Sny)

Start of Run: 01Apr2015, 00:00

Basin Model: Johnsons Mill Run-FU(Snyder)

End of Run: 03Apr2015, 00:00

Meteorilgic Model: 100-YR

Compute Time: 16Dec2015, 12:40:34

Control Specifications: Control 1

Hydrologic Element	Drainage Area (MI2)	Peak Discharge (CFS)	Time of Peak	Volume (IN)
JMR_13563	1.076	207.5	01Apr2015, 22:14	6.7
J_JMR_13563	1.076	207.5	01Apr2015, 22:14	6.7
R_JMR_13562	1.076	194.7	01Apr2015, 22:31	6.54
JMR_13570	0.37	42.7	02Apr2015, 06:24	4.42
J_JMR_13570	0.37	42.7	02Apr2015, 06:24	4.42
R_JMR_13561	0.37	38.5	02Apr2015, 07:30	4.07
JMR_13562	0.111	43.2	01Apr2015, 16:21	8.37
JMR_13561	0.069	42.9	01Apr2015, 14:22	8.52
J_JMR_13561	1.626	261	01Apr2015, 22:14	6.19
R_JMR_13560	1.626	210	02Apr2015, 01:41	5.51
JMR_13552	0.591	85	02Apr2015, 02:25	5.43
JMR_13560	0.591	131.1	01Apr2015, 20:44	7.24
JMR_13553	0.295	105.4	01Apr2015, 16:47	8.21
J_JMR_13553	0.295	105.4	01Apr2015, 16:47	8.21
R_JMR_13552	0.295	82	01Apr2015, 17:20	7.68
J_JMR_13560	3.103	472.8	01Apr2015, 23:47	6.03
R_JMR_13550	3.103	472.3	02Apr2015, 00:29	5.97
JMR_13551	0.699	182.5	01Apr2015, 18:58	7.6
JMR_13541	0.573	181.4	01Apr2015, 17:21	7.8
JMR_13550	0.1	93.6	01Apr2015, 13:22	8.5
J_JMR_13550	4.475	786.7	01Apr2015, 21:16	6.51
R_JMR_13540	4.475	667.4	01Apr2015, 23:53	5.99
JMR_13533	0.939	105.1	02Apr2015, 06:53	4.28
JMR_13535	0.527	190	01Apr2015, 16:49	8.33
J_JMR_13535	0.527	190	01Apr2015, 16:49	8.33
R_JMR_13534	0.527	170.3	01Apr2015, 16:57	8.19
JMR_13534	0.192	96.3	01Apr2015, 15:03	8.29
J_JMR_13534	1.658	279	01Apr2015, 16:51	5.99
R_JMR_13533	1.658	179.4	02Apr2015, 02:55	4.95
JMR_13540	0.03	31.1	01Apr2015, 13:15	8.99
J_JMR_13540	6.163	845.6	02Apr2015, 00:19	5.72
R_JMR_13531	6.163	845	02Apr2015, 01:05	5.62
JMR_13532	1.08	294.7	01Apr2015, 18:29	7.61
JMR_13531	0.619	161.6	01Apr2015, 19:09	7.71
JMR_13542	0.486	337.7	01Apr2015, 13:57	8.17
J_JMR_13542	0.486	337.7	01Apr2015, 13:57	8.17
R_JMR_13532	0.486	224.1	01Apr2015, 14:06	7.62
J_JMR_13531	8.348	1332	01Apr2015, 21:15	6.15

R_JMR_13530	8.348	1329.5	01Apr2015, 22:12	6.01
JMR_13521	0.753	103.6	02Apr2015, 03:09	5.23
JMR_13530	0.144	46.5	01Apr2015, 17:30	8.16
J_JMR_13530	9.245	1449.2	01Apr2015, 22:40	5.98
R_JMR_13520	9.245	1329.9	02Apr2015, 00:21	5.68
JMR_13520	1.809	204.8	02Apr2015, 06:44	4.34
J_JMR_13520	11.054	1495.4	02Apr2015, 01:41	5.46
R_JMR_13600	11.054	1493.9	02Apr2015, 02:11	5.36
JMR_13610	0.58	146	01Apr2015, 19:26	7.59
JMR_13620	0.259	75.7	01Apr2015, 17:46	7.55
J_JMR_13620	0.259	75.7	01Apr2015, 17:46	7.55
R_JMR_13610	0.259	71.5	01Apr2015, 20:09	7.41
J_JMR_13610	0.839	217	01Apr2015, 19:34	7.54
R_JMR_13700	0.839	216.9	01Apr2015, 19:51	7.53
JMR_13700	0.49	78.3	01Apr2015, 23:57	5.79
JMR_13500	0.482	109	01Apr2015, 19:53	6.99
JMR_13510	0.305	61.1	01Apr2015, 21:38	6.8
J_JMR_13510	0.305	61.1	01Apr2015, 21:38	6.8
R_JMR_13500	0.305	60.5	01Apr2015, 22:11	6.75
JMR_13600	0.276	125.6	01Apr2015, 15:24	8.14
J_JMR_13500	13.446	1948.3	02Apr2015, 00:04	5.66
R_JMR_13400	13.446	1947.6	02Apr2015, 00:27	5.59
JMR_13410	0.773	171.8	01Apr2015, 19:59	6.91
J_JMR_13410	0.773	171.8	01Apr2015, 19:59	6.91
R_JMR_13320	0.773	120.8	01Apr2015, 23:57	6.2
JMR_16000	0.579	108	01Apr2015, 21:51	6.36
J_JMR_16000	0.579	108	01Apr2015, 21:51	6.36
R_JMR_13310	0.579	81.8	02Apr2015, 01:37	5.69
JMR_13320	0.539	105.1	01Apr2015, 21:15	6.49
JMR_13310	0.188	88.2	01Apr2015, 15:05	7.76
J_JMR_13310	2.079	346.9	01Apr2015, 21:27	6.28
R_JMR_13300	2.079	346.8	01Apr2015, 21:48	6.26
JMR_13400	0.301	77.4	01Apr2015, 18:27	7.11
JMR_13300	0.059	18	01Apr2015, 17:22	7.51
J_JMR_13300	15.885	2360.3	01Apr2015, 23:44	5.71
R_JMR_13200	15.885	2247.8	02Apr2015, 00:37	5.53
JMR_13200	0.61	164.6	01Apr2015, 17:40	6.85
J_JMR_13200	16.495	2366.6	02Apr2015, 00:04	5.58
R_JMR_13100	16.495	2217	02Apr2015, 01:18	5.33
JMR_13100	0.509	174.4	01Apr2015, 16:21	7.29
J_JMR_13100	17.004	2311.4	02Apr2015, 00:41	5.39
R_JMR_13000	17.004	2310.4	02Apr2015, 01:03	5.32
JMR_15100	0.594	298.2	01Apr2015, 14:53	7.9
J_JMR_15100	0.594	298.2	01Apr2015, 14:53	7.9
R_JMR_15000	0.594	262.1	01Apr2015, 14:58	7.82
JMR_15000	0.243	144.8	01Apr2015, 14:19	7.96
J_JMR_15000	0.837	402.2	01Apr2015, 14:49	7.86

R_JMR_14000	0.837	368.9	01Apr2015, 14:52	7.81
JMR_13000	0.37	133.9	01Apr2015, 16:26	7.83
JMR_14000	0.035	48.2	01Apr2015, 12:47	8.14
J_JMR_13000	18.246	2539.4	01Apr2015, 23:34	5.49
R_JMR_12000	18.246	2539	01Apr2015, 23:52	5.44
JMR_11120	0.192	58.3	01Apr2015, 16:33	6.62
J_JMR_11120	0.192	58.3	01Apr2015, 16:33	6.62
R_JMR_11110	0.192	48.7	01Apr2015, 17:05	6.35
JMR_11110	0.071	57.2	01Apr2015, 13:28	7.53
J_JMR_11110	0.263	82.4	01Apr2015, 15:40	6.67
R_JMR_11100	0.263	82.4	01Apr2015, 15:56	6.67
JMR_11100	0.257	160.5	01Apr2015, 13:45	6.65
JMR_12000	0.171	91.5	01Apr2015, 14:25	7.32
J_JMR_12000	18.937	2640.1	01Apr2015, 23:12	5.49
R_JMR_11000	18.937	2576.2	01Apr2015, 23:36	5.4
JMR_11000	0.136	88.8	01Apr2015, 14:12	8.45
J_JMR_11000	19.073	2598.5	01Apr2015, 23:24	5.42
R_JMR_10000	19.073	2598	01Apr2015, 23:52	5.34
JMR_9000	0.214	128.4	01Apr2015, 14:07	7.41
JMR_10000	0.196	217.2	01Apr2015, 12:58	7.55
JMR_9100	0.052	44.2	01Apr2015, 13:26	7.87
J_JMR_9100	0.052	44.2	01Apr2015, 13:26	7.87
R_JMR_9000	0.052	44	01Apr2015, 13:39	7.87
J_JMR_9000	19.535	2647.7	01Apr2015, 23:29	5.39
R_JMR_8000	19.535	2627.7	02Apr2015, 00:56	5.35
JMR_7000	0.091	66.5	01Apr2015, 13:31	6.99
JMR_7100	0.086	100.7	01Apr2015, 12:48	6.9
J_JMR_7100	0.086	100.7	01Apr2015, 12:48	6.9
R_JMR_7000	0.086	86.5	01Apr2015, 13:50	6.83
JMR_8000	0.071	58.2	01Apr2015, 13:29	7.76
J_JMR_7000	19.783	2646	02Apr2015, 00:44	5.38
R_JMR_6000	19.783	2645.7	02Apr2015, 00:51	5.37
JMR_6000	0.027	32.2	01Apr2015, 12:47	6.91
J_JMR_6000	19.81	2646.9	02Apr2015, 00:50	5.37
R_JMR_5000	19.81	2645.7	02Apr2015, 01:06	5.36
JMR_5000	0.097	95	01Apr2015, 13:15	8.27
J_JMR_5000	19.907	2651.6	02Apr2015, 01:01	5.37
R_JMR_4000	19.907	2649.5	02Apr2015, 01:24	5.35
JMR_3360	0.637	124.7	01Apr2015, 20:58	6.42
JMR_3370	0.207	95.8	01Apr2015, 15:21	8.2
JMR_3380	0.198	98	01Apr2015, 14:55	7.85
J_JMR_3380	0.198	98	01Apr2015, 14:55	7.85
R_JMR_3370	0.198	87.5	01Apr2015, 15:21	7.74
J_JMR_3360	1.042	254.8	01Apr2015, 18:18	7.02
R_JMR_3356	1.042	208.9	01Apr2015, 19:41	6.69
JMR_3356	0.284	142.5	01Apr2015, 14:44	7.53
J_JMR_3356	1.326	314.5	01Apr2015, 16:26	6.87

R_JMR_3354	1.326	311.4	01Apr2015, 18:10	6.83
JMR_3354	0.337	180.3	01Apr2015, 14:12	6.81
JMR_3355	0.043	66.2	01Apr2015, 12:40	8.21
J_JMR_3354	1.706	446.3	01Apr2015, 16:47	6.86
R_JMR_3353	1.706	420.3	01Apr2015, 16:56	6.81
JMR_3353	0.093	132.4	01Apr2015, 12:43	7.94
J_JMR_3353	1.799	445.1	01Apr2015, 16:35	6.87
R_JMR_3352	1.799	442.3	01Apr2015, 17:14	6.85
JMR_3321	0.324	200.1	01Apr2015, 14:03	7.48
JMR_3320	0.232	157.3	01Apr2015, 14:03	8.3
J_JMR_3320	0.232	157.3	01Apr2015, 14:03	8.3
R_JMR_3319	0.232	156.5	01Apr2015, 14:23	8.3
JMR_3322	0.131	65.3	01Apr2015, 14:48	7.63
J_JMR_3322	0.131	65.3	01Apr2015, 14:48	7.63
R_JMR_3321	0.131	60.6	01Apr2015, 16:06	7.59
JMR_3319	0.026	62.7	01Apr2015, 12:21	8.24
J_JMR_3319	0.713	407.4	01Apr2015, 14:22	7.79
R_JMR_3317	0.713	369.2	01Apr2015, 14:55	7.8
JMR_3317	0.275	67.1	01Apr2015, 18:33	6.79
JMR_3318	0.272	59.7	01Apr2015, 17:29	5.39
J_JMR_3317	1.26	453.9	01Apr2015, 15:51	7.06
R_JMR_3351	1.26	453.8	01Apr2015, 15:53	7.06
JMR_3352	0.175	104.5	01Apr2015, 14:22	8.15
JMR_3351	0.052	21.4	01Apr2015, 15:06	6.78
J_JMR_3351	3.286	990.2	01Apr2015, 16:19	7
R_JMR_3350	3.286	988.7	01Apr2015, 16:25	7
JMR_3313	0.092	57.4	01Apr2015, 13:51	6.92
JMR_3350	0.08	53.2	01Apr2015, 13:47	7.23
J_JMR_3350	3.458	1067.8	01Apr2015, 16:04	7
R_JMR_3312	3.458	1038	01Apr2015, 16:10	6.97
JMR_11130	0.412	170.4	01Apr2015, 15:02	6.7
J_JMR_11130	0.412	170.4	01Apr2015, 15:02	6.7
R_JMR_3341	0.412	150.9	01Apr2015, 15:07	6.53
JMR_3341	0.112	49.9	01Apr2015, 14:45	6.69
J_JMR_3341	0.524	200.4	01Apr2015, 15:02	6.56
R_JMR_3340	0.524	171.8	01Apr2015, 18:20	6.56
JMR_3340	0.244	154.1	01Apr2015, 13:44	6.69
JMR_3312	0.144	136.3	01Apr2015, 13:10	7.46
J_JMR_3312	4.37	1344.5	01Apr2015, 16:12	6.92
R_JMR_3310	4.37	1277.7	01Apr2015, 16:22	6.85
JMR_3331	0.263	214.2	01Apr2015, 13:27	7.53
JMR_3332	0.044	18.9	01Apr2015, 14:26	5.86
J_JMR_3332	0.044	18.9	01Apr2015, 14:26	5.86
R_JMR_3331	0.044	17.7	01Apr2015, 15:40	5.81
J_JMR_3331	0.307	220.1	01Apr2015, 13:30	7.29
R_JMR_3330	0.307	199.3	01Apr2015, 13:31	7.11
JMR_3330	0.206	85.3	01Apr2015, 14:49	6.31

JMR_3310	0.058	37.2	01Apr2015, 13:27	5.9
J_JMR_3310	4.941	1522.4	01Apr2015, 15:28	6.83
R_JMR_3300	4.941	1517.6	01Apr2015, 16:01	6.83
JMR_3210	0.204	82.4	01Apr2015, 15:15	6.9
J_JMR_3210	0.204	82.4	01Apr2015, 15:15	6.9
R_JMR_3200	0.204	80.9	01Apr2015, 16:01	6.89
JMR_3200	0.113	126.6	01Apr2015, 12:46	6.25
JMR_3300	0.113	91.1	01Apr2015, 12:58	5.36
J_JMR_3200	5.371	1675.5	01Apr2015, 15:38	6.79
R_JMR_3100	5.371	1611.8	01Apr2015, 16:35	6.78
JMR_3100	0.502	113.5	01Apr2015, 18:25	6.18
J_JMR_3100	5.873	1709.5	01Apr2015, 16:49	6.72
R_JMR_3000	5.873	1709.2	01Apr2015, 17:00	6.72
JMR_3000	0.174	95.4	01Apr2015, 14:07	6.73
JMR_4000	0.071	109.7	01Apr2015, 12:36	7.23
J_JMR_3000	26.025	3728.7	01Apr2015, 22:48	5.67
R_JMR_2000	26.025	3726.7	01Apr2015, 23:07	5.63
JMR_2000	0.208	138.5	01Apr2015, 13:14	5.39
J_JMR_2000	26.233	3742.9	01Apr2015, 23:03	5.62
R_JMR_1000	26.233	3740.6	01Apr2015, 23:23	5.59
JMR_1000	0.14	144.4	01Apr2015, 12:44	5.56
OUT_JMR_1000	26.373	3748.9	01Apr2015, 23:22	5.59

**PRIMARY SYSTEM
ALTERNATIVES:
HEC-HMS OUTPUT**

Project: Parkers-HMS

Simulation Run: 2YR-ALT1

Start of Run: 01Apr2015, 00:00

Basin Model: Parkers Creek-Alt1

End of Run: 03Apr2015, 00:00

Meteorilgic Model: 2-YR

Compute Time: 16Dec2015, 12:40:34

Control Specifications: Control 1

Hydrologic Element	Drainage Area (MI2)	Peak Discharge (CFS)	Time of Peak	Volume (IN)
PC_2520	0.299	24.7	01Apr2015, 16:22	1.71
PC_2521	0.271	10.6	01Apr2015, 23:39	1.37
J_PC_2521	0.271	10.6	01Apr2015, 23:39	1.37
R_PC_2520	0.271	10.5	02Apr2015, 00:33	1.35
PC_2530	0.25	20.1	01Apr2015, 16:32	1.7
PC_2540	0.131	8.5	01Apr2015, 18:05	1.68
J_PC_2540	0.131	8.5	01Apr2015, 18:05	1.68
R_PC_2530	0.131	8.5	01Apr2015, 19:05	1.66
J_PC_2520	0.951	55.8	01Apr2015, 18:05	1.6
PC_2800	0.293	31.5	01Apr2015, 15:02	1.73
PC_2910	0.097	14.8	01Apr2015, 14:01	1.81
J_PC_2910	0.097	14.8	01Apr2015, 14:01	1.81
R_PC_2900	0.097	14.8	01Apr2015, 14:06	1.81
PC_3100	0.091	17	01Apr2015, 13:33	1.8
J_PC_3100	0.091	17	01Apr2015, 13:33	1.8
R_PC_3000	0.091	15.1	01Apr2015, 13:35	1.72
PC_3000	0.042	6.3	01Apr2015, 14:03	1.81
PC_2900	0.015	3	01Apr2015, 13:26	1.82
J_PC_2900	0.245	38.6	01Apr2015, 13:56	1.78
R_PC_2800	0.245	28.8	01Apr2015, 14:02	1.63
J_PC_2800	0.538	59	01Apr2015, 14:45	1.68
PC_2700	0.302	28.6	01Apr2015, 14:56	1.48
PC_2400	0.25	100	01Apr2015, 13:17	3.76
PC_2620	0.131	16.8	01Apr2015, 13:43	1.36
J_PC_2620	0.131	16.8	01Apr2015, 13:43	1.36
PC_2610	0.107	9	01Apr2015, 14:35	1.2
PC_2510	0.103	15.9	01Apr2015, 13:02	1.13
PC_2310	0.056	6.3	01Apr2015, 13:59	1.33
Reservoir-1	2.438	4.9	03Apr2015, 00:00	0.08
R_PC_2200	2.438	4.9	03Apr2015, 00:00	0.08
PC_2200	0.084	19	01Apr2015, 12:53	1.42
J_PC_2200	2.522	19.1	01Apr2015, 12:54	0.13
R_PC_2100	2.522	17.9	01Apr2015, 13:14	0.13
PC_2410	0.14	20.9	01Apr2015, 13:34	1.46
J_PC_2410	0.14	20.9	01Apr2015, 13:34	1.46
R_PC_2010	0.14	20.6	01Apr2015, 14:05	1.46
PC_2010	0.125	22.7	01Apr2015, 13:12	1.45
J_PC_2010	0.265	40.7	01Apr2015, 13:51	1.45

R_PC_2000	0.265	34.4	01Apr2015, 13:52	1.33
PC_2100	0.234	20.2	01Apr2015, 15:50	1.63
PC_2000	0.068	5.4	01Apr2015, 15:04	1.25
J_PC_2000	3.089	67.2	01Apr2015, 14:15	0.37
R_PC_1900	3.089	67.1	01Apr2015, 14:23	0.37
PC_1820	0.061	12.9	01Apr2015, 13:29	1.96
PC_1830	0.013	3.4	01Apr2015, 12:48	1.52
J_PC_1830	0.013	3.4	01Apr2015, 12:48	1.52
R_PC_1820	0.013	3.4	01Apr2015, 12:56	1.52
J_PC_1820	0.074	15.8	01Apr2015, 13:23	1.88
R_PC_1810	0.074	15.8	01Apr2015, 13:29	1.88
PC_1810	0.053	15.4	01Apr2015, 12:59	1.96
J_PC_1810	0.127	30.1	01Apr2015, 13:18	1.92
R_PC_1800	0.127	30.1	01Apr2015, 13:20	1.92
PC_1800	0.077	17.6	01Apr2015, 13:11	1.8
PC_1900	0.026	16.9	01Apr2015, 12:20	2
J_PC_1800	3.319	112.8	01Apr2015, 13:46	0.47
R_PC_1700	3.319	110.6	01Apr2015, 14:11	0.47
PC_1620	0.106	15.1	01Apr2015, 14:46	2.14
J_PC_1620	0.106	15.1	01Apr2015, 14:46	2.14
R_PC_1610	0.106	15	01Apr2015, 14:59	2.14
PC_1610	0.08	26.5	01Apr2015, 12:56	2.14
J_PC_1610	0.186	31.7	01Apr2015, 13:44	2.14
R_PC_1600	0.186	31.7	01Apr2015, 13:49	2.14
PC_1700	0.186	22.9	01Apr2015, 13:51	1.38
PC_1600	0.034	8.5	01Apr2015, 13:07	1.88
J_PC_1600	3.725	171.8	01Apr2015, 14:04	0.61
R_PC_1500	3.725	163.3	01Apr2015, 14:51	0.61
PC_1500	0.129	26.1	01Apr2015, 13:25	1.82
J_PC_1500	3.854	184.4	01Apr2015, 14:44	0.65
R_PC_1400	3.854	170.1	01Apr2015, 15:48	0.65
PC_571	0.27	7.4	01Apr2015, 20:08	0.8
J_PC_571	0.27	7.4	01Apr2015, 20:08	0.8
R_PC_1360	0.27	7.2	01Apr2015, 20:31	0.79
PC_1360	0.083	4.6	01Apr2015, 13:55	0.64
J_PC_1360	0.353	9.4	01Apr2015, 18:21	0.76
PC_1324	0.16	75.5	01Apr2015, 13:01	3.76
PC_1370	0.092	5.8	01Apr2015, 15:12	1.01
J_PC_1370	0.092	5.8	01Apr2015, 15:12	1.01
R_PC_1327	0.092	5.8	01Apr2015, 15:19	1.01
PC_1327	0.047	12.1	01Apr2015, 12:39	1.25
J_PC_1327	0.139	12.7	01Apr2015, 12:43	1.09
Reservoir-2	0.652	0.4	03Apr2015, 00:00	0.02
R_PC_1323	0.652	0.4	03Apr2015, 00:00	0.02
PC_1350	0.098	12	01Apr2015, 13:08	0.97
PC_1323	0.027	3.6	01Apr2015, 13:11	1.07
J_PC_1323	0.777	15.6	01Apr2015, 13:08	0.18

R_PC_1321	0.777	12.6	01Apr2015, 13:12	0.17
PC_1321	0.074	9.9	01Apr2015, 13:28	1.26
J_PC_1321	0.851	22.4	01Apr2015, 13:20	0.26
R_PC_1320	0.851	22.4	01Apr2015, 13:22	0.26
PC_1330	0.137	22.5	01Apr2015, 13:17	1.38
PC_1340	0.102	7.3	01Apr2015, 15:21	1.19
J_PC_1340	0.102	7.3	01Apr2015, 15:21	1.19
R_PC_1330	0.102	5.8	01Apr2015, 18:45	1.19
PC_1320	0.035	13.1	01Apr2015, 12:40	1.88
J_PC_1320	1.125	55.8	01Apr2015, 13:14	0.53
R_PC_1310	1.125	49.8	01Apr2015, 14:02	0.53
PC_1310	0.278	38.2	01Apr2015, 14:01	1.63
J_PC_1310	1.403	88	01Apr2015, 14:01	0.75
R_PC_1300	1.403	83.1	01Apr2015, 14:48	0.75
PC_1300	0.135	22.6	01Apr2015, 13:40	1.71
J_PC_L2	1.538	103.3	01Apr2015, 14:39	0.83
PC_1400	0.165	15.5	01Apr2015, 14:30	1.31
J_PC_1300	5.557	281.7	01Apr2015, 15:25	0.72
R_PC_1200	5.557	280.1	01Apr2015, 15:43	0.72
PC_1200	0.111	8.5	01Apr2015, 13:38	0.81
J_PC_1200	5.668	286.9	01Apr2015, 15:41	0.72
R_PC_1100	5.668	262.6	01Apr2015, 17:00	0.72
PC_1100	0.182	12.3	01Apr2015, 15:33	1.17
PC_1000	0.168	15.8	01Apr2015, 13:34	0.96
J_PC_1000	6.018	284.1	01Apr2015, 16:55	0.74
R_PC_900	6.018	275.3	01Apr2015, 17:45	0.74
PC_900	0.463	39.5	01Apr2015, 13:24	0.82
PC_810	0.208	34.8	01Apr2015, 13:35	1.65
PC_820	0.066	9.1	01Apr2015, 13:29	1.3
J_PC_820	0.066	9.1	01Apr2015, 13:29	1.3
R_PC_810	0.066	8.1	01Apr2015, 14:22	1.28
J_PC_810	0.274	42	01Apr2015, 13:43	1.56
R_PC_800	0.274	42	01Apr2015, 13:51	1.56
PC_800	0.16	42.5	01Apr2015, 12:45	1.46
J_PC_800	6.915	325.9	01Apr2015, 17:21	0.79
R_PC_700	6.915	324.5	01Apr2015, 17:40	0.79
PC_700	0.154	41.2	01Apr2015, 12:31	1.07
J_PC_700	7.069	329.2	01Apr2015, 17:37	0.8
R_PC_600	7.069	329.2	01Apr2015, 17:40	0.8
PC_570	0.416	20.9	01Apr2015, 14:45	0.71
PC_590	0.172	10.5	01Apr2015, 14:47	0.89
J_PC_590	0.172	10.5	01Apr2015, 14:47	0.89
R_PC_580	0.172	10.5	01Apr2015, 15:16	0.89
PC_580	0.124	12.7	01Apr2015, 13:19	0.92
J_PC_580	0.296	20.7	01Apr2015, 14:34	0.9
R_PC_570	0.296	20.2	01Apr2015, 15:31	0.89
J_PC_570	0.712	40.8	01Apr2015, 15:21	0.78

R_PC_560	0.712	40.8	01Apr2015, 15:27	0.78
PC_560	0.163	13.5	01Apr2015, 13:22	0.78
J_PC_560	0.875	51.1	01Apr2015, 15:13	0.78
R_PC_550	0.875	39	01Apr2015, 15:30	0.69
PC_550	0.535	21.1	01Apr2015, 18:00	0.96
J_PC_550	1.41	57.4	01Apr2015, 16:23	0.79
R_PC_540	1.41	45.2	01Apr2015, 16:57	0.73
PC_530	0.064	8.8	01Apr2015, 13:48	1.5
PC_531	0.027	7.5	01Apr2015, 12:39	1.36
J_PC_531	0.027	7.5	01Apr2015, 12:39	1.36
R_PC_530	0.027	7.5	01Apr2015, 12:46	1.36
PC_540	0.015	3.2	01Apr2015, 13:23	1.85
J_PC_530	1.516	54.6	01Apr2015, 16:20	0.78
R_PC_520	1.516	54.6	01Apr2015, 16:27	0.78
PC_520	0.029	7.6	01Apr2015, 12:52	1.6
J_PC_520	1.545	57	01Apr2015, 16:16	0.8
R_PC_510	1.545	57	01Apr2015, 16:17	0.8
PC_510	0.184	23.4	01Apr2015, 13:25	1.18
J_PC_510	1.729	73	01Apr2015, 15:25	0.84
R_PC_500	1.729	72.5	01Apr2015, 15:59	0.84
PC_500	0.216	21.3	01Apr2015, 13:42	1.06
J_PC_L1	1.945	89.6	01Apr2015, 15:29	0.86
PC_600	0.004	1.2	01Apr2015, 12:45	1.7
J_PC_500	9.018	409.7	01Apr2015, 17:26	0.81
R_PC_400	9.018	395	01Apr2015, 18:28	0.81
PC_400	0.28	42.6	01Apr2015, 12:39	0.79
J_PC_400	9.298	401.1	01Apr2015, 18:25	0.81
R_PC_300	9.298	401	01Apr2015, 18:30	0.81
PC_240	0.206	6.1	01Apr2015, 16:46	0.57
PC_250	0.117	3.1	01Apr2015, 16:30	0.47
J_PC_250	0.117	3.1	01Apr2015, 16:30	0.47
R_PC_240	0.117	3.1	01Apr2015, 16:47	0.47
J_PC_240	0.323	9.2	01Apr2015, 16:46	0.53
R_PC_230	0.323	9.1	01Apr2015, 17:32	0.53
PC_230	0.126	7.2	01Apr2015, 15:07	0.88
J_PC_230	0.449	15.6	01Apr2015, 16:41	0.63
R_PC_220	0.449	14.8	01Apr2015, 17:29	0.62
PC_220	0.273	5.7	01Apr2015, 17:54	0.46
J_PC_220	0.722	20.5	01Apr2015, 17:35	0.56
R_PC_210	0.722	16.6	01Apr2015, 18:31	0.51
PC_210	0.135	6.4	01Apr2015, 14:34	0.63
J_PC_210	0.857	21.2	01Apr2015, 17:39	0.53
R_PC_200	0.857	21.2	01Apr2015, 17:51	0.53
PC_200	0.099	6.2	01Apr2015, 13:34	0.66
PC_300	0.025	2.4	01Apr2015, 13:47	1.07
J_PC_200	10.279	426.2	01Apr2015, 18:27	0.79
R_PC_100	10.279	379.2	01Apr2015, 20:38	0.78

PC_100	0.129	9.4	01Apr2015, 13:49	0.83
OUT_PC_100	10.408	382.6	01Apr2015, 20:36	0.78
PC_2300	0.325	54.4	01Apr2015, 13:22	1.48
PC_1326	0.106	10.6	01Apr2015, 13:51	1.14
PC_1325	0.048	2.8	01Apr2015, 13:57	0.68
PC_2600	0.012	2.7	01Apr2015, 13:01	1.58
PC_2500	0.011	1.9	01Apr2015, 12:44	0.95
PC_230	0.126	11	01Apr2015, 14:38	1.26
J_PC_230	0.449	25.5	01Apr2015, 16:05	0.96
R_PC_220	0.449	22.2	01Apr2015, 16:58	0.94
PC_220	0.273	5.6	01Apr2015, 17:56	0.45
J_PC_220	0.722	27.7	01Apr2015, 17:10	0.75
R_PC_210	0.722	22.6	01Apr2015, 18:01	0.69
PC_210	0.135	6.5	01Apr2015, 14:33	0.64
J_PC_210	0.857	27.6	01Apr2015, 17:14	0.68
R_PC_200	0.857	27.6	01Apr2015, 17:25	0.68
PC_200	0.099	6.2	01Apr2015, 13:34	0.66
PC_300	0.025	2	01Apr2015, 13:53	0.93
J_PC_200	10.484	660.7	01Apr2015, 19:52	1.38
R_PC_100	10.484	611.1	01Apr2015, 22:04	1.37
PC_100	0.129	10.8	01Apr2015, 13:44	0.91
OUT_PC_100	10.613	614.1	01Apr2015, 22:03	1.36

Project: Parkers-HMS

Simulation Run: 10YR-ALT1

Start of Run: 01Apr2015, 00:00

Basin Model: Parkers Creek-Alt1

End of Run: 03Apr2015, 00:00

Meteorilgic Model: 10-YR

Compute Time: 16Dec2015, 12:40:34

Control Specifications: Control 1

Hydrologic Element	Drainage Area (MI2)	Peak Discharge (CFS)	Time of Peak	Volume (IN)
PC_2520	0.299	50.8	01Apr2015, 16:05	3.42
PC_2521	0.271	21	01Apr2015, 23:08	2.72
J_PC_2521	0.271	21	01Apr2015, 23:08	2.72
R_PC_2520	0.271	20.9	02Apr2015, 00:01	2.68
PC_2530	0.25	41.3	01Apr2015, 16:14	3.41
PC_2540	0.131	17.3	01Apr2015, 17:43	3.34
J_PC_2540	0.131	17.3	01Apr2015, 17:43	3.34
R_PC_2530	0.131	17.2	01Apr2015, 18:39	3.31
J_PC_2520	0.951	114	01Apr2015, 17:38	3.19
PC_2800	0.293	65.1	01Apr2015, 14:53	3.45
PC_2910	0.097	30.2	01Apr2015, 13:56	3.56
J_PC_2910	0.097	30.2	01Apr2015, 13:56	3.56
R_PC_2900	0.097	30.2	01Apr2015, 14:00	3.56
PC_3100	0.091	34.6	01Apr2015, 13:29	3.55
J_PC_3100	0.091	34.6	01Apr2015, 13:29	3.55
R_PC_3000	0.091	31.2	01Apr2015, 13:30	3.44
PC_3000	0.042	12.9	01Apr2015, 13:58	3.56
PC_2900	0.015	6.1	01Apr2015, 13:22	3.57
J_PC_2900	0.245	79	01Apr2015, 13:51	3.52
R_PC_2800	0.245	57.5	01Apr2015, 13:57	3.12
J_PC_2800	0.538	119.9	01Apr2015, 14:40	3.3
PC_2700	0.302	62.9	01Apr2015, 14:44	3.1
PC_2400	0.25	154.4	01Apr2015, 13:17	5.81
PC_2620	0.131	38.7	01Apr2015, 13:37	2.94
J_PC_2620	0.131	38.7	01Apr2015, 13:37	2.94
PC_2610	0.107	21.8	01Apr2015, 14:20	2.69
PC_2510	0.103	40.1	01Apr2015, 12:57	2.58
PC_2310	0.056	14.6	01Apr2015, 13:51	2.89
Reservoir-1	2.438	12.8	02Apr2015, 22:31	0.22
R_PC_2200	2.438	12.8	02Apr2015, 22:51	0.21
PC_2200	0.084	42.8	01Apr2015, 12:50	3.03
J_PC_2200	2.522	43	01Apr2015, 12:50	0.31
R_PC_2100	2.522	40.2	01Apr2015, 13:10	0.31
PC_2410	0.14	46.5	01Apr2015, 13:29	3.08
J_PC_2410	0.14	46.5	01Apr2015, 13:29	3.08
R_PC_2010	0.14	45.9	01Apr2015, 13:55	3.08
PC_2010	0.125	50.7	01Apr2015, 13:08	3.06
J_PC_2010	0.265	91.2	01Apr2015, 13:41	3.07

R_PC_2000	0.265	76.2	01Apr2015, 13:42	2.8
PC_2100	0.234	42.6	01Apr2015, 15:35	3.32
PC_2000	0.068	12.6	01Apr2015, 14:45	2.77
J_PC_2000	3.089	147.6	01Apr2015, 13:59	0.8
R_PC_1900	3.089	147.4	01Apr2015, 14:07	0.8
PC_1820	0.061	25.3	01Apr2015, 13:26	3.76
PC_1830	0.013	7.5	01Apr2015, 12:46	3.17
J_PC_1830	0.013	7.5	01Apr2015, 12:46	3.17
R_PC_1820	0.013	7.5	01Apr2015, 12:52	3.17
J_PC_1820	0.074	31.7	01Apr2015, 13:20	3.66
R_PC_1810	0.074	31.7	01Apr2015, 13:25	3.66
PC_1810	0.053	30.3	01Apr2015, 12:57	3.76
J_PC_1810	0.127	59.9	01Apr2015, 13:14	3.7
R_PC_1800	0.127	59.8	01Apr2015, 13:15	3.7
PC_1800	0.077	35.9	01Apr2015, 13:08	3.55
PC_1900	0.026	32.5	01Apr2015, 12:19	3.81
J_PC_1800	3.319	240.9	01Apr2015, 13:36	1
R_PC_1700	3.319	221.3	01Apr2015, 14:32	1
PC_1620	0.106	28.7	01Apr2015, 14:41	3.99
J_PC_1620	0.106	28.7	01Apr2015, 14:41	3.99
R_PC_1610	0.106	28.6	01Apr2015, 14:52	3.99
PC_1610	0.08	50.1	01Apr2015, 12:54	3.99
J_PC_1610	0.186	61.2	01Apr2015, 13:10	3.99
R_PC_1600	0.186	61.2	01Apr2015, 13:16	3.99
PC_1700	0.186	52.3	01Apr2015, 13:44	2.96
PC_1600	0.034	17	01Apr2015, 13:05	3.65
J_PC_1600	3.725	343.5	01Apr2015, 14:06	1.27
R_PC_1500	3.725	327.8	01Apr2015, 15:03	1.27
PC_1500	0.129	53	01Apr2015, 13:21	3.58
J_PC_1500	3.854	367.6	01Apr2015, 14:52	1.34
R_PC_1400	3.854	357.4	01Apr2015, 15:35	1.34
PC_571	0.27	19.2	01Apr2015, 19:15	2.01
J_PC_571	0.27	19.2	01Apr2015, 19:15	2.01
R_PC_1360	0.27	18.5	01Apr2015, 19:32	1.99
PC_1360	0.083	15.3	01Apr2015, 13:30	1.79
J_PC_1360	0.353	24.9	01Apr2015, 17:56	1.94
PC_1324	0.16	116.7	01Apr2015, 13:01	5.81
PC_1370	0.092	14.9	01Apr2015, 14:43	2.4
J_PC_1370	0.092	14.9	01Apr2015, 14:43	2.4
R_PC_1327	0.092	14.9	01Apr2015, 14:48	2.4
PC_1327	0.047	28.7	01Apr2015, 12:36	2.77
J_PC_1327	0.139	31.3	01Apr2015, 12:41	2.52
Reservoir-2	0.652	1	03Apr2015, 00:00	0.06
R_PC_1323	0.652	1	03Apr2015, 00:00	0.06
PC_1350	0.098	32.6	01Apr2015, 13:02	2.34
PC_1323	0.027	9.2	01Apr2015, 13:05	2.49
J_PC_1323	0.777	41.9	01Apr2015, 13:02	0.43

R_PC_1321	0.777	38.3	01Apr2015, 13:03	0.42
PC_1321	0.074	23.5	01Apr2015, 13:22	2.79
J_PC_1321	0.851	60.9	01Apr2015, 13:12	0.63
R_PC_1320	0.851	60.9	01Apr2015, 13:13	0.63
PC_1330	0.137	51.4	01Apr2015, 13:12	2.97
PC_1340	0.102	17.4	01Apr2015, 14:57	2.68
J_PC_1340	0.102	17.4	01Apr2015, 14:57	2.68
R_PC_1330	0.102	13.6	01Apr2015, 18:20	2.68
PC_1320	0.035	26.1	01Apr2015, 12:39	3.65
J_PC_1320	1.125	135	01Apr2015, 13:09	1.19
R_PC_1310	1.125	119.3	01Apr2015, 13:53	1.19
PC_1310	0.278	81.3	01Apr2015, 13:55	3.31
J_PC_1310	1.403	200.7	01Apr2015, 13:53	1.61
R_PC_1300	1.403	188	01Apr2015, 14:38	1.61
PC_1300	0.135	47.2	01Apr2015, 13:35	3.43
J_PC_L2	1.538	229.9	01Apr2015, 14:30	1.77
PC_1400	0.165	36.1	01Apr2015, 14:18	2.86
J_PC_1300	5.557	607.6	01Apr2015, 15:08	1.5
R_PC_1200	5.557	601.8	01Apr2015, 15:30	1.5
PC_1200	0.111	25.2	01Apr2015, 13:25	2.08
J_PC_1200	5.668	620	01Apr2015, 15:28	1.51
R_PC_1100	5.668	594.1	01Apr2015, 16:19	1.51
PC_1100	0.182	29.6	01Apr2015, 15:06	2.65
PC_1000	0.168	42.9	01Apr2015, 13:25	2.33
J_PC_1000	6.018	648.5	01Apr2015, 16:16	1.57
R_PC_900	6.018	616.2	01Apr2015, 17:04	1.56
PC_900	0.463	117.2	01Apr2015, 13:14	2.09
PC_810	0.208	73.7	01Apr2015, 13:30	3.34
PC_820	0.066	21.3	01Apr2015, 13:23	2.85
J_PC_820	0.066	21.3	01Apr2015, 13:23	2.85
R_PC_810	0.066	18.8	01Apr2015, 14:02	2.82
J_PC_810	0.274	91.6	01Apr2015, 13:36	3.22
R_PC_800	0.274	91.3	01Apr2015, 13:50	3.22
PC_800	0.16	94.5	01Apr2015, 12:42	3.07
J_PC_800	6.915	739.4	01Apr2015, 16:48	1.7
R_PC_700	6.915	727.6	01Apr2015, 17:16	1.7
PC_700	0.154	105.1	01Apr2015, 12:27	2.5
J_PC_700	7.069	737.7	01Apr2015, 17:14	1.72
R_PC_600	7.069	737.2	01Apr2015, 17:20	1.72
PC_570	0.416	64	01Apr2015, 14:06	1.9
PC_590	0.172	28.9	01Apr2015, 14:18	2.21
J_PC_590	0.172	28.9	01Apr2015, 14:18	2.21
R_PC_580	0.172	28.7	01Apr2015, 14:45	2.2
PC_580	0.124	35.3	01Apr2015, 13:11	2.26
J_PC_580	0.296	56.5	01Apr2015, 14:15	2.23
R_PC_570	0.296	54.9	01Apr2015, 14:58	2.21
J_PC_570	0.712	116.8	01Apr2015, 14:44	2.03

R_PC_560	0.712	116.7	01Apr2015, 14:49	2.03
PC_560	0.163	41	01Apr2015, 13:12	2.03
J_PC_560	0.875	147.9	01Apr2015, 14:32	2.03
R_PC_550	0.875	112.2	01Apr2015, 14:59	1.9
PC_550	0.535	53	01Apr2015, 17:17	2.31
J_PC_550	1.41	156	01Apr2015, 16:01	2.06
R_PC_540	1.41	128.4	01Apr2015, 16:37	2.03
PC_530	0.064	19.4	01Apr2015, 13:42	3.13
PC_531	0.027	17.1	01Apr2015, 12:37	2.93
J_PC_531	0.027	17.1	01Apr2015, 12:37	2.93
R_PC_530	0.027	17.1	01Apr2015, 12:42	2.93
PC_540	0.015	6.4	01Apr2015, 13:19	3.62
J_PC_530	1.516	147.9	01Apr2015, 16:13	2.11
R_PC_520	1.516	147.8	01Apr2015, 16:21	2.11
PC_520	0.029	16.1	01Apr2015, 12:49	3.27
J_PC_520	1.545	152.6	01Apr2015, 16:11	2.13
R_PC_510	1.545	152.6	01Apr2015, 16:12	2.13
PC_510	0.184	57.5	01Apr2015, 13:19	2.67
J_PC_510	1.729	189.1	01Apr2015, 15:12	2.19
R_PC_500	1.729	187.8	01Apr2015, 15:46	2.19
PC_500	0.216	55.1	01Apr2015, 13:33	2.48
J_PC_L1	1.945	230	01Apr2015, 15:10	2.22
PC_600	0.004	2.6	01Apr2015, 12:43	3.41
J_PC_500	9.018	945.3	01Apr2015, 17:11	1.83
R_PC_400	9.018	894.3	01Apr2015, 18:12	1.82
PC_400	0.28	129.8	01Apr2015, 12:35	2.04
J_PC_400	9.298	908.2	01Apr2015, 18:09	1.83
R_PC_300	9.298	908	01Apr2015, 18:13	1.83
PC_240	0.206	19.4	01Apr2015, 15:43	1.66
PC_250	0.117	10.7	01Apr2015, 15:17	1.47
J_PC_250	0.117	10.7	01Apr2015, 15:17	1.47
R_PC_240	0.117	10.7	01Apr2015, 15:30	1.47
J_PC_240	0.323	30.1	01Apr2015, 15:38	1.59
R_PC_230	0.323	29.9	01Apr2015, 16:18	1.59
PC_230	0.126	19.6	01Apr2015, 14:32	2.19
J_PC_230	0.449	48	01Apr2015, 15:51	1.76
R_PC_220	0.449	40.3	01Apr2015, 16:50	1.69
PC_220	0.273	19.4	01Apr2015, 16:42	1.45
J_PC_220	0.722	59.8	01Apr2015, 16:47	1.6
R_PC_210	0.722	37.8	01Apr2015, 17:55	1.14
PC_210	0.135	20.7	01Apr2015, 13:54	1.77
J_PC_210	0.857	52	01Apr2015, 16:36	1.24
R_PC_200	0.857	52	01Apr2015, 16:45	1.24
PC_200	0.099	20.8	01Apr2015, 13:18	1.81
PC_300	0.025	6.2	01Apr2015, 13:38	2.5
J_PC_200	10.279	968.6	01Apr2015, 18:09	1.78
R_PC_100	10.279	868.4	01Apr2015, 20:07	1.77

PC_100	0.129	27.5	01Apr2015, 13:34	2.1
OUT_PC_100	10.408	876.9	01Apr2015, 20:05	1.78
PC_2300	0.325	120.7	01Apr2015, 13:17	3.11
PC_1326	0.106	26.5	01Apr2015, 13:42	2.6
PC_1325	0.048	9	01Apr2015, 13:33	1.85
PC_2600	0.012	5.8	01Apr2015, 12:58	3.25
PC_2500	0.011	5.2	01Apr2015, 12:39	2.3
PC_230	0.126	26	01Apr2015, 14:24	2.78
J_PC_230	0.449	63.4	01Apr2015, 16:01	2.31
R_PC_220	0.449	54.4	01Apr2015, 16:51	2.25
PC_220	0.273	19.2	01Apr2015, 16:43	1.44
J_PC_220	0.722	73.6	01Apr2015, 16:49	1.94
R_PC_210	0.722	48.6	01Apr2015, 17:45	1.43
PC_210	0.135	20.9	01Apr2015, 13:54	1.79
J_PC_210	0.857	62.8	01Apr2015, 16:48	1.49
R_PC_200	0.857	62.7	01Apr2015, 16:56	1.49
PC_200	0.099	20.8	01Apr2015, 13:18	1.81
PC_300	0.025	5.5	01Apr2015, 13:40	2.28
J_PC_200	10.484	1376.4	01Apr2015, 18:51	2.93
R_PC_100	10.484	1278.3	01Apr2015, 21:06	2.91
PC_100	0.129	29.8	01Apr2015, 13:33	2.25
OUT_PC_100	10.613	1285.8	01Apr2015, 21:04	2.9

Project: Parkers-HMS

Simulation Run: 25YR-ALT1

Start of Run: 01Apr2015, 00:00

Basin Model: Parkers Creek-Alt1

End of Run: 03Apr2015, 00:00

Meteorilgic Model: 25-YR

Compute Time: 16Dec2015, 12:40:34

Control Specifications: Control 1

Hydrologic Element	Drainage Area (MI2)	Peak Discharge (CFS)	Time of Peak	Volume (IN)
PC_2520	0.299	70.3	01Apr2015, 16:01	4.69
PC_2521	0.271	28.7	01Apr2015, 22:58	3.72
J_PC_2521	0.271	28.7	01Apr2015, 22:58	3.72
R_PC_2520	0.271	28.6	01Apr2015, 23:49	3.66
PC_2530	0.25	57.2	01Apr2015, 16:10	4.68
PC_2540	0.131	23.8	01Apr2015, 17:37	4.57
J_PC_2540	0.131	23.8	01Apr2015, 17:37	4.57
R_PC_2530	0.131	23.7	01Apr2015, 18:30	4.54
J_PC_2520	0.951	157.4	01Apr2015, 17:27	4.37
PC_2800	0.293	90.2	01Apr2015, 14:50	4.73
PC_2910	0.097	41.6	01Apr2015, 13:54	4.85
J_PC_2910	0.097	41.6	01Apr2015, 13:54	4.85
R_PC_2900	0.097	41.6	01Apr2015, 13:58	4.85
PC_3100	0.091	47.6	01Apr2015, 13:28	4.84
J_PC_3100	0.091	47.6	01Apr2015, 13:28	4.84
R_PC_3000	0.091	43	01Apr2015, 13:29	4.72
PC_3000	0.042	17.7	01Apr2015, 13:56	4.85
PC_2900	0.015	8.4	01Apr2015, 13:21	4.86
J_PC_2900	0.245	108.7	01Apr2015, 13:49	4.8
R_PC_2800	0.245	80.1	01Apr2015, 13:56	4.41
J_PC_2800	0.538	166.4	01Apr2015, 14:38	4.58
PC_2700	0.302	89.2	01Apr2015, 14:41	4.33
PC_2400	0.25	192.2	01Apr2015, 13:17	7.23
PC_2620	0.131	55.5	01Apr2015, 13:35	4.15
J_PC_2620	0.131	55.5	01Apr2015, 13:35	4.15
PC_2610	0.107	31.8	01Apr2015, 14:17	3.85
PC_2510	0.103	59.3	01Apr2015, 12:56	3.72
PC_2310	0.056	21	01Apr2015, 13:48	4.08
Reservoir-1	2.438	19.9	02Apr2015, 20:42	0.34
R_PC_2200	2.438	19.9	02Apr2015, 21:00	0.34
PC_2200	0.084	60.8	01Apr2015, 12:49	4.24
J_PC_2200	2.522	61.1	01Apr2015, 12:49	0.47
R_PC_2100	2.522	57.1	01Apr2015, 13:09	0.47
PC_2410	0.14	66	01Apr2015, 13:27	4.31
J_PC_2410	0.14	66	01Apr2015, 13:27	4.31
R_PC_2010	0.14	63.3	01Apr2015, 14:22	4.3
PC_2010	0.125	72	01Apr2015, 13:07	4.29
J_PC_2010	0.265	121.8	01Apr2015, 13:48	4.29

R_PC_2000	0.265	103.6	01Apr2015, 13:55	4.03
PC_2100	0.234	59.4	01Apr2015, 15:31	4.58
PC_2000	0.068	18.3	01Apr2015, 14:41	3.95
J_PC_2000	3.089	208.5	01Apr2015, 14:14	1.16
R_PC_1900	3.089	208.2	01Apr2015, 14:21	1.16
PC_1820	0.061	34.3	01Apr2015, 13:25	5.08
PC_1830	0.013	10.5	01Apr2015, 12:45	4.41
J_PC_1830	0.013	10.5	01Apr2015, 12:45	4.41
R_PC_1820	0.013	10.5	01Apr2015, 12:50	4.41
J_PC_1820	0.074	43.2	01Apr2015, 13:19	4.96
R_PC_1810	0.074	43.2	01Apr2015, 13:24	4.96
PC_1810	0.053	41	01Apr2015, 12:56	5.08
J_PC_1810	0.127	81.4	01Apr2015, 13:12	5.01
R_PC_1800	0.127	81.4	01Apr2015, 13:13	5.01
PC_1800	0.077	49.2	01Apr2015, 13:07	4.84
PC_1900	0.026	43.6	01Apr2015, 12:19	5.13
J_PC_1800	3.319	333.7	01Apr2015, 13:27	1.42
R_PC_1700	3.319	293.6	01Apr2015, 14:56	1.42
PC_1620	0.106	38.5	01Apr2015, 14:39	5.32
J_PC_1620	0.106	38.5	01Apr2015, 14:39	5.32
R_PC_1610	0.106	38.4	01Apr2015, 14:50	5.32
PC_1610	0.08	66.9	01Apr2015, 12:53	5.32
J_PC_1610	0.186	82.5	01Apr2015, 13:08	5.32
R_PC_1600	0.186	82.5	01Apr2015, 13:13	5.32
PC_1700	0.186	74.9	01Apr2015, 13:42	4.17
PC_1600	0.034	23.2	01Apr2015, 13:04	4.95
J_PC_1600	3.725	453.6	01Apr2015, 14:23	1.78
R_PC_1500	3.725	436.1	01Apr2015, 15:14	1.78
PC_1500	0.129	72.7	01Apr2015, 13:20	4.87
J_PC_1500	3.854	487.8	01Apr2015, 15:01	1.88
R_PC_1400	3.854	477.1	01Apr2015, 15:40	1.87
PC_571	0.27	29	01Apr2015, 18:56	3
J_PC_571	0.27	29	01Apr2015, 18:56	3
R_PC_1360	0.27	27.9	01Apr2015, 19:15	2.97
PC_1360	0.083	24.9	01Apr2015, 13:26	2.76
J_PC_1360	0.353	37.7	01Apr2015, 17:49	2.92
PC_1324	0.16	145.2	01Apr2015, 13:01	7.23
PC_1370	0.092	22.4	01Apr2015, 14:37	3.5
J_PC_1370	0.092	22.4	01Apr2015, 14:37	3.5
R_PC_1327	0.092	22.4	01Apr2015, 14:42	3.5
PC_1327	0.047	41.5	01Apr2015, 12:35	3.95
J_PC_1327	0.139	46.2	01Apr2015, 12:40	3.65
Reservoir-2	0.652	1.5	03Apr2015, 00:00	0.1
R_PC_1323	0.652	1.5	03Apr2015, 00:00	0.1
PC_1350	0.098	49.4	01Apr2015, 13:00	3.44
PC_1323	0.027	13.7	01Apr2015, 13:03	3.62
J_PC_1323	0.777	63.2	01Apr2015, 13:00	0.64

R_PC_1321	0.777	57.9	01Apr2015, 13:01	0.62
PC_1321	0.074	34.1	01Apr2015, 13:20	3.97
J_PC_1321	0.851	90.6	01Apr2015, 13:10	0.91
R_PC_1320	0.851	90.6	01Apr2015, 13:11	0.91
PC_1330	0.137	73.5	01Apr2015, 13:11	4.18
PC_1340	0.102	25.4	01Apr2015, 14:52	3.84
J_PC_1340	0.102	25.4	01Apr2015, 14:52	3.84
R_PC_1330	0.102	19.6	01Apr2015, 18:11	3.84
PC_1320	0.035	35.4	01Apr2015, 12:38	4.95
J_PC_1320	1.125	195.6	01Apr2015, 13:08	1.7
R_PC_1310	1.125	172.7	01Apr2015, 13:50	1.7
PC_1310	0.278	113.6	01Apr2015, 13:53	4.57
J_PC_1310	1.403	286.3	01Apr2015, 13:51	2.27
R_PC_1300	1.403	276.6	01Apr2015, 14:19	2.27
PC_1300	0.135	65.4	01Apr2015, 13:33	4.71
J_PC_L2	1.538	336.7	01Apr2015, 14:15	2.48
PC_1400	0.165	52.1	01Apr2015, 14:15	4.05
J_PC_1300	5.557	826.3	01Apr2015, 14:58	2.11
R_PC_1200	5.557	818.8	01Apr2015, 15:22	2.11
PC_1200	0.111	39.2	01Apr2015, 13:22	3.12
J_PC_1200	5.668	846.8	01Apr2015, 15:19	2.13
R_PC_1100	5.668	830.6	01Apr2015, 15:54	2.12
PC_1100	0.182	43.4	01Apr2015, 15:00	3.81
PC_1000	0.168	65.1	01Apr2015, 13:23	3.42
J_PC_1000	6.018	914.2	01Apr2015, 15:49	2.21
R_PC_900	6.018	873.8	01Apr2015, 16:41	2.2
PC_900	0.463	182.8	01Apr2015, 13:12	3.13
PC_810	0.208	102.7	01Apr2015, 13:29	4.61
PC_820	0.066	30.8	01Apr2015, 13:21	4.04
J_PC_820	0.066	30.8	01Apr2015, 13:21	4.04
R_PC_810	0.066	25.6	01Apr2015, 14:06	3.96
J_PC_810	0.274	127.2	01Apr2015, 13:32	4.45
R_PC_800	0.274	126.7	01Apr2015, 13:48	4.45
PC_800	0.16	133.6	01Apr2015, 12:42	4.3
J_PC_800	6.915	1067.3	01Apr2015, 16:19	2.4
R_PC_700	6.915	1046.9	01Apr2015, 16:53	2.4
PC_700	0.154	155.3	01Apr2015, 12:26	3.63
J_PC_700	7.069	1062	01Apr2015, 16:51	2.43
R_PC_600	7.069	1061.2	01Apr2015, 16:57	2.43
PC_570	0.416	101.7	01Apr2015, 14:00	2.9
PC_590	0.172	44.3	01Apr2015, 14:13	3.27
J_PC_590	0.172	44.3	01Apr2015, 14:13	3.27
R_PC_580	0.172	43.7	01Apr2015, 14:49	3.27
PC_580	0.124	54	01Apr2015, 13:09	3.33
J_PC_580	0.296	85.6	01Apr2015, 14:03	3.29
R_PC_570	0.296	83.2	01Apr2015, 14:48	3.28
J_PC_570	0.712	181.5	01Apr2015, 14:30	3.06

R_PC_560	0.712	181.1	01Apr2015, 14:41	3.06
PC_560	0.163	64.3	01Apr2015, 13:09	3.05
J_PC_560	0.875	229.9	01Apr2015, 14:24	3.06
R_PC_550	0.875	183.9	01Apr2015, 14:43	3.03
PC_550	0.535	79	01Apr2015, 17:03	3.38
J_PC_550	1.41	245	01Apr2015, 15:41	3.17
R_PC_540	1.41	206.5	01Apr2015, 16:14	3.18
PC_530	0.064	27.4	01Apr2015, 13:40	4.36
PC_531	0.027	24.5	01Apr2015, 12:36	4.13
J_PC_531	0.027	24.5	01Apr2015, 12:36	4.13
R_PC_530	0.027	24.4	01Apr2015, 12:41	4.13
PC_540	0.015	8.7	01Apr2015, 13:18	4.92
J_PC_530	1.516	235.4	01Apr2015, 15:50	3.26
R_PC_520	1.516	235.3	01Apr2015, 15:58	3.26
PC_520	0.029	22.5	01Apr2015, 12:49	4.53
J_PC_520	1.545	242.6	01Apr2015, 15:47	3.28
R_PC_510	1.545	242.6	01Apr2015, 15:49	3.28
PC_510	0.184	84.4	01Apr2015, 13:17	3.83
J_PC_510	1.729	298.9	01Apr2015, 14:54	3.34
R_PC_500	1.729	296.6	01Apr2015, 15:26	3.34
PC_500	0.216	82.3	01Apr2015, 13:30	3.6
J_PC_L1	1.945	361	01Apr2015, 14:56	3.37
PC_600	0.004	3.6	01Apr2015, 12:42	4.68
J_PC_500	9.018	1389.6	01Apr2015, 16:45	2.63
R_PC_400	9.018	1318.7	01Apr2015, 17:50	2.63
PC_400	0.28	202.5	01Apr2015, 12:33	3.07
J_PC_400	9.298	1339.9	01Apr2015, 17:47	2.64
R_PC_300	9.298	1339.7	01Apr2015, 17:50	2.64
PC_240	0.206	31.4	01Apr2015, 15:24	2.6
PC_250	0.117	17.9	01Apr2015, 14:56	2.35
J_PC_250	0.117	17.9	01Apr2015, 14:56	2.35
R_PC_240	0.117	17.9	01Apr2015, 15:08	2.35
J_PC_240	0.323	49.2	01Apr2015, 15:18	2.51
R_PC_230	0.323	47.9	01Apr2015, 16:50	2.49
PC_230	0.126	30	01Apr2015, 14:26	3.25
J_PC_230	0.449	73.6	01Apr2015, 16:15	2.71
R_PC_220	0.449	63.7	01Apr2015, 17:02	2.64
PC_220	0.273	32.2	01Apr2015, 16:18	2.32
J_PC_220	0.722	95.6	01Apr2015, 16:51	2.52
R_PC_210	0.722	64.4	01Apr2015, 17:54	1.92
PC_210	0.135	33.5	01Apr2015, 13:49	2.74
J_PC_210	0.857	85.7	01Apr2015, 16:43	2.05
R_PC_200	0.857	85.7	01Apr2015, 16:51	2.05
PC_200	0.099	33.6	01Apr2015, 13:14	2.79
PC_300	0.025	9.2	01Apr2015, 13:35	3.63
J_PC_200	10.279	1440.3	01Apr2015, 17:47	2.59
R_PC_100	10.279	1293.6	01Apr2015, 19:36	2.58

PC_100	0.129	42.8	01Apr2015, 13:31	3.15
OUT_PC_100	10.408	1306.9	01Apr2015, 19:34	2.59
PC_2300	0.325	170.8	01Apr2015, 13:16	4.34
PC_1326	0.106	39.1	01Apr2015, 13:39	3.75
PC_1325	0.048	14.4	01Apr2015, 13:29	2.83
PC_2600	0.012	8.2	01Apr2015, 12:57	4.5
PC_2500	0.011	7.9	01Apr2015, 12:38	3.39
PC_230	0.126	37.7	01Apr2015, 14:21	3.96
J_PC_230	0.449	93	01Apr2015, 16:15	3.38
R_PC_220	0.449	82.2	01Apr2015, 16:57	3.35
PC_220	0.273	31.9	01Apr2015, 16:18	2.3
J_PC_220	0.722	113.8	01Apr2015, 16:50	2.96
R_PC_210	0.722	87.2	01Apr2015, 17:31	2.59
PC_210	0.135	33.8	01Apr2015, 13:48	2.76
J_PC_210	0.857	109.4	01Apr2015, 16:40	2.61
R_PC_200	0.857	109.4	01Apr2015, 16:48	2.61
PC_200	0.099	33.6	01Apr2015, 13:14	2.79
PC_300	0.025	8.4	01Apr2015, 13:36	3.37
J_PC_200	10.484	1896.9	01Apr2015, 18:42	4.13
R_PC_100	10.484	1780.5	01Apr2015, 20:51	4.11
PC_100	0.129	45.6	01Apr2015, 13:30	3.32
OUT_PC_100	10.613	1791.5	01Apr2015, 20:49	4.1

Project: Parkers-HMS

Simulation Run: 50YR-ALT1

Start of Run: 01Apr2015, 00:00

Basin Model: Parkers Creek-Alt1

End of Run: 03Apr2015, 00:00

Meteorilgic Model: 50-YR

Compute Time: 16Dec2015, 12:40:34

Control Specifications: Control 1

Hydrologic Element	Drainage Area (MI2)	Peak Discharge (CFS)	Time of Peak	Volume (IN)
PC_2520	0.299	87.8	01Apr2015, 15:59	5.82
PC_2521	0.271	35.6	01Apr2015, 22:54	4.61
J_PC_2521	0.271	35.6	01Apr2015, 22:54	4.61
R_PC_2520	0.271	35.4	01Apr2015, 23:42	4.55
PC_2530	0.25	71.4	01Apr2015, 16:08	5.81
PC_2540	0.131	29.7	01Apr2015, 17:34	5.68
J_PC_2540	0.131	29.7	01Apr2015, 17:34	5.68
R_PC_2530	0.131	29.5	01Apr2015, 18:24	5.64
J_PC_2520	0.951	196.4	01Apr2015, 17:20	5.43
PC_2800	0.293	112.6	01Apr2015, 14:49	5.87
PC_2910	0.097	51.7	01Apr2015, 13:53	6.01
J_PC_2910	0.097	51.7	01Apr2015, 13:53	6.01
R_PC_2900	0.097	51.7	01Apr2015, 13:57	6.01
PC_3100	0.091	59.1	01Apr2015, 13:27	5.99
J_PC_3100	0.091	59.1	01Apr2015, 13:27	5.99
R_PC_3000	0.091	53.6	01Apr2015, 13:28	5.87
PC_3000	0.042	22	01Apr2015, 13:55	6.01
PC_2900	0.015	10.4	01Apr2015, 13:20	6.02
J_PC_2900	0.245	135.2	01Apr2015, 13:48	5.96
R_PC_2800	0.245	100.5	01Apr2015, 13:55	5.64
J_PC_2800	0.538	208.4	01Apr2015, 14:38	5.77
PC_2700	0.302	113	01Apr2015, 14:39	5.44
PC_2400	0.25	225.2	01Apr2015, 13:17	8.47
PC_2620	0.131	70.8	01Apr2015, 13:34	5.24
J_PC_2620	0.131	70.8	01Apr2015, 13:34	5.24
PC_2610	0.107	41.1	01Apr2015, 14:15	4.92
PC_2510	0.103	76.8	01Apr2015, 12:55	4.78
PC_2310	0.056	26.9	01Apr2015, 13:47	5.17
Reservoir-1	2.438	27.1	02Apr2015, 19:29	0.47
R_PC_2200	2.438	27.1	02Apr2015, 19:46	0.46
PC_2200	0.084	77	01Apr2015, 12:49	5.35
J_PC_2200	2.522	77.4	01Apr2015, 12:49	0.63
R_PC_2100	2.522	72.4	01Apr2015, 13:08	0.62
PC_2410	0.14	83.6	01Apr2015, 13:26	5.42
J_PC_2410	0.14	83.6	01Apr2015, 13:26	5.42
R_PC_2010	0.14	79.4	01Apr2015, 14:28	5.4
PC_2010	0.125	91.2	01Apr2015, 13:06	5.4
J_PC_2010	0.265	149.9	01Apr2015, 14:00	5.4

R_PC_2000	0.265	129.2	01Apr2015, 14:04	5.15
PC_2100	0.234	74.6	01Apr2015, 15:28	5.71
PC_2000	0.068	23.6	01Apr2015, 14:38	5.03
J_PC_2000	3.089	263.4	01Apr2015, 14:17	1.49
R_PC_1900	3.089	263	01Apr2015, 14:25	1.49
PC_1820	0.061	42.3	01Apr2015, 13:24	6.25
PC_1830	0.013	13.2	01Apr2015, 12:44	5.53
J_PC_1830	0.013	13.2	01Apr2015, 12:44	5.53
R_PC_1820	0.013	13.2	01Apr2015, 12:50	5.53
J_PC_1820	0.074	53.4	01Apr2015, 13:19	6.12
R_PC_1810	0.074	53.4	01Apr2015, 13:23	6.12
PC_1810	0.053	50.4	01Apr2015, 12:55	6.25
J_PC_1810	0.127	100.5	01Apr2015, 13:11	6.17
R_PC_1800	0.127	100.5	01Apr2015, 13:12	6.17
PC_1800	0.077	61.1	01Apr2015, 13:07	5.99
PC_1900	0.026	53.3	01Apr2015, 12:18	6.31
J_PC_1800	3.319	414.1	01Apr2015, 13:26	1.81
R_PC_1700	3.319	361.2	01Apr2015, 15:03	1.81
PC_1620	0.106	47.2	01Apr2015, 14:38	6.51
J_PC_1620	0.106	47.2	01Apr2015, 14:38	6.51
R_PC_1610	0.106	47.1	01Apr2015, 14:47	6.51
PC_1610	0.08	81.6	01Apr2015, 12:53	6.51
J_PC_1610	0.186	101.4	01Apr2015, 13:07	6.51
R_PC_1600	0.186	101.3	01Apr2015, 13:12	6.51
PC_1700	0.186	95.5	01Apr2015, 13:40	5.26
PC_1600	0.034	28.6	01Apr2015, 13:03	6.11
J_PC_1600	3.725	555.9	01Apr2015, 14:28	2.26
R_PC_1500	3.725	533.1	01Apr2015, 15:21	2.25
PC_1500	0.129	90.2	01Apr2015, 13:20	6.03
J_PC_1500	3.854	595.1	01Apr2015, 15:06	2.38
R_PC_1400	3.854	571.3	01Apr2015, 16:03	2.37
PC_571	0.27	38.3	01Apr2015, 18:45	3.93
J_PC_571	0.27	38.3	01Apr2015, 18:45	3.93
R_PC_1360	0.27	36.8	01Apr2015, 19:03	3.9
PC_1360	0.083	34.1	01Apr2015, 13:24	3.68
J_PC_1360	0.353	49.8	01Apr2015, 17:43	3.84
PC_1324	0.16	170.1	01Apr2015, 13:01	8.47
PC_1370	0.092	29.3	01Apr2015, 14:34	4.53
J_PC_1370	0.092	29.3	01Apr2015, 14:34	4.53
R_PC_1327	0.092	29.3	01Apr2015, 14:39	4.53
PC_1327	0.047	53.1	01Apr2015, 12:35	5.03
J_PC_1327	0.139	59.9	01Apr2015, 12:40	4.69
Reservoir-2	0.652	2.1	03Apr2015, 00:00	0.14
R_PC_1323	0.652	2.1	03Apr2015, 00:00	0.14
PC_1350	0.098	65	01Apr2015, 12:59	4.46
PC_1323	0.027	17.9	01Apr2015, 13:02	4.66
J_PC_1323	0.777	83	01Apr2015, 12:59	0.84

R_PC_1321	0.777	75.9	01Apr2015, 13:00	0.81
PC_1321	0.074	43.8	01Apr2015, 13:19	5.05
J_PC_1321	0.851	117.8	01Apr2015, 13:09	1.18
R_PC_1320	0.851	117.8	01Apr2015, 13:10	1.18
PC_1330	0.137	93.6	01Apr2015, 13:10	5.28
PC_1340	0.102	32.8	01Apr2015, 14:50	4.91
J_PC_1340	0.102	32.8	01Apr2015, 14:50	4.91
R_PC_1330	0.102	25.2	01Apr2015, 18:05	4.9
PC_1320	0.035	43.6	01Apr2015, 12:38	6.11
J_PC_1320	1.125	250.8	01Apr2015, 13:07	2.17
R_PC_1310	1.125	219.5	01Apr2015, 13:50	2.17
PC_1310	0.278	142.6	01Apr2015, 13:51	5.71
J_PC_1310	1.403	362.1	01Apr2015, 13:51	2.87
R_PC_1300	1.403	352.2	01Apr2015, 14:17	2.87
PC_1300	0.135	81.7	01Apr2015, 13:33	5.85
J_PC_L2	1.538	427.5	01Apr2015, 14:11	3.13
PC_1400	0.165	66.7	01Apr2015, 14:13	5.13
J_PC_1300	5.557	1005.1	01Apr2015, 14:49	2.66
R_PC_1200	5.557	997.2	01Apr2015, 15:16	2.66
PC_1200	0.111	52.6	01Apr2015, 13:20	4.09
J_PC_1200	5.668	1034.6	01Apr2015, 15:12	2.68
R_PC_1100	5.668	1017	01Apr2015, 15:50	2.68
PC_1100	0.182	56.1	01Apr2015, 14:58	4.87
PC_1000	0.168	85.8	01Apr2015, 13:21	4.43
J_PC_1000	6.018	1125.9	01Apr2015, 15:40	2.79
R_PC_900	6.018	1082.9	01Apr2015, 16:40	2.78
PC_900	0.463	244.7	01Apr2015, 13:10	4.1
PC_810	0.208	128.7	01Apr2015, 13:28	5.74
PC_820	0.066	39.4	01Apr2015, 13:20	5.12
J_PC_820	0.066	39.4	01Apr2015, 13:20	5.12
R_PC_810	0.066	31.9	01Apr2015, 14:10	5.01
J_PC_810	0.274	159	01Apr2015, 13:32	5.57
R_PC_800	0.274	158.3	01Apr2015, 13:47	5.57
PC_800	0.16	168.7	01Apr2015, 12:41	5.41
J_PC_800	6.915	1335.1	01Apr2015, 16:07	3.04
R_PC_700	6.915	1311.4	01Apr2015, 16:45	3.04
PC_700	0.154	201.3	01Apr2015, 12:26	4.67
J_PC_700	7.069	1330.5	01Apr2015, 16:43	3.08
R_PC_600	7.069	1329.7	01Apr2015, 16:50	3.08
PC_570	0.416	137.9	01Apr2015, 13:57	3.84
PC_590	0.172	58.7	01Apr2015, 14:10	4.27
J_PC_590	0.172	58.7	01Apr2015, 14:10	4.27
R_PC_580	0.172	57.1	01Apr2015, 15:06	4.26
PC_580	0.124	71.5	01Apr2015, 13:07	4.34
J_PC_580	0.296	108.2	01Apr2015, 14:08	4.29
R_PC_570	0.296	104.2	01Apr2015, 15:19	4.25
J_PC_570	0.712	234	01Apr2015, 14:24	4.01

R_PC_560	0.712	233.7	01Apr2015, 14:36	4.01
PC_560	0.163	86.5	01Apr2015, 13:08	4.02
J_PC_560	0.875	300.6	01Apr2015, 14:12	4.01
R_PC_550	0.875	242.7	01Apr2015, 14:34	4.01
PC_550	0.535	103.4	01Apr2015, 16:55	4.38
J_PC_550	1.41	326.6	01Apr2015, 15:51	4.15
R_PC_540	1.41	279.6	01Apr2015, 16:13	4.16
PC_530	0.064	34.7	01Apr2015, 13:38	5.48
PC_531	0.027	31.1	01Apr2015, 12:35	5.23
J_PC_531	0.027	31.1	01Apr2015, 12:35	5.23
R_PC_530	0.027	31	01Apr2015, 12:40	5.23
PC_540	0.015	10.8	01Apr2015, 13:18	6.08
J_PC_530	1.516	315.1	01Apr2015, 15:56	4.25
R_PC_520	1.516	315	01Apr2015, 16:02	4.25
PC_520	0.029	28.2	01Apr2015, 12:48	5.66
J_PC_520	1.545	323.6	01Apr2015, 15:54	4.28
R_PC_510	1.545	323.5	01Apr2015, 15:56	4.28
PC_510	0.184	109	01Apr2015, 13:16	4.89
J_PC_510	1.729	394.1	01Apr2015, 14:42	4.34
R_PC_500	1.729	391.3	01Apr2015, 15:24	4.34
PC_500	0.216	107.6	01Apr2015, 13:29	4.63
J_PC_L1	1.945	475.8	01Apr2015, 14:48	4.37
PC_600	0.004	4.5	01Apr2015, 12:42	5.83
J_PC_500	9.018	1767.3	01Apr2015, 16:35	3.36
R_PC_400	9.018	1682.5	01Apr2015, 17:41	3.35
PC_400	0.28	270.7	01Apr2015, 12:32	4.04
J_PC_400	9.298	1709.8	01Apr2015, 17:38	3.37
R_PC_300	9.298	1709.6	01Apr2015, 17:41	3.37
PC_240	0.206	43.1	01Apr2015, 15:14	3.49
PC_250	0.117	25.1	01Apr2015, 14:46	3.2
J_PC_250	0.117	25.1	01Apr2015, 14:46	3.2
R_PC_240	0.117	25	01Apr2015, 14:59	3.2
J_PC_240	0.323	68.1	01Apr2015, 15:08	3.39
R_PC_230	0.323	65.7	01Apr2015, 16:48	3.37
PC_230	0.126	39.9	01Apr2015, 14:23	4.24
J_PC_230	0.449	99.2	01Apr2015, 16:19	3.62
R_PC_220	0.449	87.7	01Apr2015, 17:01	3.59
PC_220	0.273	44.8	01Apr2015, 16:04	3.17
J_PC_220	0.722	131.8	01Apr2015, 16:48	3.43
R_PC_210	0.722	99.8	01Apr2015, 17:31	2.98
PC_210	0.135	46	01Apr2015, 13:46	3.65
J_PC_210	0.857	129.4	01Apr2015, 16:32	3.09
R_PC_200	0.857	129.4	01Apr2015, 16:40	3.09
PC_200	0.099	45.9	01Apr2015, 13:13	3.71
PC_300	0.025	12	01Apr2015, 13:34	4.67
J_PC_200	10.279	1858.3	01Apr2015, 17:37	3.35
R_PC_100	10.279	1683.7	01Apr2015, 19:28	3.34

PC_100	0.129	57.2	01Apr2015, 13:29	4.12
OUT_PC_100	10.408	1701.2	01Apr2015, 19:25	3.35
PC_2300	0.325	216.1	01Apr2015, 13:15	5.46
PC_1326	0.106	50.8	01Apr2015, 13:37	4.8
PC_1325	0.048	19.6	01Apr2015, 13:27	3.76
PC_2600	0.012	10.3	01Apr2015, 12:56	5.62
PC_2500	0.011	10.3	01Apr2015, 12:37	4.4
PC_230	0.126	48.5	01Apr2015, 14:19	5.04
J_PC_230	0.449	121.9	01Apr2015, 16:12	4.38
R_PC_220	0.449	108	01Apr2015, 16:48	4.36
PC_220	0.273	44.4	01Apr2015, 16:05	3.15
J_PC_220	0.722	152	01Apr2015, 16:40	3.9
R_PC_210	0.722	124	01Apr2015, 17:07	3.68
PC_210	0.135	46.3	01Apr2015, 13:46	3.68
J_PC_210	0.857	155.2	01Apr2015, 16:24	3.68
R_PC_200	0.857	155.1	01Apr2015, 16:33	3.68
PC_200	0.099	45.9	01Apr2015, 13:13	3.71
PC_300	0.025	11.2	01Apr2015, 13:35	4.37
J_PC_200	10.484	2400.6	01Apr2015, 18:35	5.22
R_PC_100	10.484	2268.7	01Apr2015, 20:29	5.2
PC_100	0.129	60.4	01Apr2015, 13:28	4.32
OUT_PC_100	10.613	2283.4	01Apr2015, 20:27	5.18

Project: Parkers-HMS

Simulation Run: 100YR-ALT1

Start of Run: 01Apr2015, 00:00

Basin Model: Parkers Creek-Alt1

End of Run: 03Apr2015, 00:00

Meteorilgic Model: 100-YR

Compute Time: 16Dec2015, 12:40:34

Control Specifications: Control 1

Hydrologic Element	Drainage Area (MI2)	Peak Discharge (CFS)	Time of Peak	Volume (IN)
PC_2520	0.299	107.5	01Apr2015, 15:57	7.11
PC_2521	0.271	43.4	01Apr2015, 22:50	5.62
J_PC_2521	0.271	43.4	01Apr2015, 22:50	5.62
R_PC_2520	0.271	43.2	01Apr2015, 23:36	5.54
PC_2530	0.25	87.4	01Apr2015, 16:05	7.09
PC_2540	0.131	36.3	01Apr2015, 17:31	6.92
J_PC_2540	0.131	36.3	01Apr2015, 17:31	6.92
R_PC_2530	0.131	36	01Apr2015, 18:20	6.87
J_PC_2520	0.951	240.4	01Apr2015, 17:14	6.62
PC_2800	0.293	137.8	01Apr2015, 14:47	7.16
PC_2910	0.097	63	01Apr2015, 13:52	7.3
J_PC_2910	0.097	63	01Apr2015, 13:52	7.3
R_PC_2900	0.097	63	01Apr2015, 13:56	7.3
PC_3100	0.091	72	01Apr2015, 13:26	7.29
J_PC_3100	0.091	72	01Apr2015, 13:26	7.29
R_PC_3000	0.091	65.5	01Apr2015, 13:28	7.2
PC_3000	0.042	26.8	01Apr2015, 13:55	7.3
PC_2900	0.015	12.7	01Apr2015, 13:20	7.32
J_PC_2900	0.245	164.9	01Apr2015, 13:47	7.27
R_PC_2800	0.245	123.3	01Apr2015, 13:54	7.01
J_PC_2800	0.538	255	01Apr2015, 14:36	7.09
PC_2700	0.302	139.8	01Apr2015, 14:37	6.7
PC_2400	0.25	261.6	01Apr2015, 13:17	9.84
PC_2620	0.131	88.1	01Apr2015, 13:33	6.48
J_PC_2620	0.131	88.1	01Apr2015, 13:33	6.48
PC_2610	0.107	51.7	01Apr2015, 14:13	6.13
PC_2510	0.103	96.8	01Apr2015, 12:54	5.98
PC_2310	0.056	33.6	01Apr2015, 13:46	6.41
Reservoir-1	2.438	35.7	02Apr2015, 18:28	0.62
R_PC_2200	2.438	35.7	02Apr2015, 18:44	0.62
PC_2200	0.084	95.3	01Apr2015, 12:48	6.6
J_PC_2200	2.522	95.9	01Apr2015, 12:48	0.81
R_PC_2100	2.522	89.6	01Apr2015, 13:07	0.81
PC_2410	0.14	103.5	01Apr2015, 13:25	6.68
J_PC_2410	0.14	103.5	01Apr2015, 13:25	6.68
R_PC_2010	0.14	97.9	01Apr2015, 14:30	6.66
PC_2010	0.125	112.8	01Apr2015, 13:05	6.65
J_PC_2010	0.265	183.2	01Apr2015, 14:05	6.65

R_PC_2000	0.265	159	01Apr2015, 14:08	6.4
PC_2100	0.234	91.6	01Apr2015, 15:26	6.99
PC_2000	0.068	29.6	01Apr2015, 14:37	6.25
J_PC_2000	3.089	325.6	01Apr2015, 14:18	1.88
R_PC_1900	3.089	325.1	01Apr2015, 14:25	1.87
PC_1820	0.061	51.2	01Apr2015, 13:24	7.56
PC_1830	0.013	16.2	01Apr2015, 12:44	6.79
J_PC_1830	0.013	16.2	01Apr2015, 12:44	6.79
R_PC_1820	0.013	16.2	01Apr2015, 12:49	6.79
J_PC_1820	0.074	64.8	01Apr2015, 13:18	7.42
R_PC_1810	0.074	64.8	01Apr2015, 13:22	7.42
PC_1810	0.053	60.8	01Apr2015, 12:55	7.56
J_PC_1810	0.127	121.7	01Apr2015, 13:10	7.48
R_PC_1800	0.127	121.7	01Apr2015, 13:11	7.48
PC_1800	0.077	74.3	01Apr2015, 13:06	7.29
PC_1900	0.026	64	01Apr2015, 12:18	7.62
J_PC_1800	3.319	504.5	01Apr2015, 13:26	2.26
R_PC_1700	3.319	438.2	01Apr2015, 15:07	2.25
PC_1620	0.106	56.8	01Apr2015, 14:37	7.84
J_PC_1620	0.106	56.8	01Apr2015, 14:37	7.84
R_PC_1610	0.106	56.5	01Apr2015, 14:54	7.83
PC_1610	0.08	97.8	01Apr2015, 12:53	7.84
J_PC_1610	0.186	122.3	01Apr2015, 13:06	7.83
R_PC_1600	0.186	122.3	01Apr2015, 13:11	7.83
PC_1700	0.186	118.8	01Apr2015, 13:39	6.51
PC_1600	0.034	34.7	01Apr2015, 13:03	7.42
J_PC_1600	3.725	671.3	01Apr2015, 14:32	2.79
R_PC_1500	3.725	642.4	01Apr2015, 15:26	2.78
PC_1500	0.129	109.7	01Apr2015, 13:19	7.33
J_PC_1500	3.854	715.4	01Apr2015, 15:12	2.94
R_PC_1400	3.854	682.4	01Apr2015, 16:13	2.92
PC_571	0.27	49.1	01Apr2015, 18:37	5
J_PC_571	0.27	49.1	01Apr2015, 18:37	5
R_PC_1360	0.27	47.2	01Apr2015, 18:53	4.97
PC_1360	0.083	44.9	01Apr2015, 13:22	4.76
J_PC_1360	0.353	63.9	01Apr2015, 17:39	4.92
PC_1324	0.16	197.6	01Apr2015, 13:01	9.84
PC_1370	0.092	37.3	01Apr2015, 14:32	5.7
J_PC_1370	0.092	37.3	01Apr2015, 14:32	5.7
R_PC_1327	0.092	37.3	01Apr2015, 14:36	5.7
PC_1327	0.047	66.2	01Apr2015, 12:34	6.25
J_PC_1327	0.139	75.6	01Apr2015, 12:39	5.89
Reservoir-2	0.652	2.9	03Apr2015, 00:00	0.18
R_PC_1323	0.652	2.9	03Apr2015, 00:00	0.18
PC_1350	0.098	82.9	01Apr2015, 12:58	5.62
PC_1323	0.027	22.7	01Apr2015, 13:01	5.85
J_PC_1323	0.777	105.7	01Apr2015, 12:59	1.07

R_PC_1321	0.777	96.7	01Apr2015, 12:59	1.03
PC_1321	0.074	54.8	01Apr2015, 13:19	6.28
J_PC_1321	0.851	149.1	01Apr2015, 13:08	1.49
R_PC_1320	0.851	149	01Apr2015, 13:09	1.49
PC_1330	0.137	116.2	01Apr2015, 13:09	6.52
PC_1340	0.102	41.2	01Apr2015, 14:47	6.12
J_PC_1340	0.102	41.2	01Apr2015, 14:47	6.12
R_PC_1330	0.102	31.5	01Apr2015, 18:00	6.11
PC_1320	0.035	52.7	01Apr2015, 12:38	7.42
J_PC_1320	1.125	313.5	01Apr2015, 13:06	2.7
R_PC_1310	1.125	272.1	01Apr2015, 13:51	2.7
PC_1310	0.278	175.2	01Apr2015, 13:51	6.99
J_PC_1310	1.403	447.3	01Apr2015, 13:51	3.55
R_PC_1300	1.403	435.9	01Apr2015, 14:15	3.55
PC_1300	0.135	99.9	01Apr2015, 13:32	7.14
J_PC_L2	1.538	528	01Apr2015, 14:10	3.86
PC_1400	0.165	83.4	01Apr2015, 14:11	6.37
J_PC_1300	5.557	1200.2	01Apr2015, 15:01	3.29
R_PC_1200	5.557	1197.6	01Apr2015, 15:15	3.28
PC_1200	0.111	68.1	01Apr2015, 13:19	5.22
J_PC_1200	5.668	1245.3	01Apr2015, 15:09	3.32
R_PC_1100	5.668	1220.1	01Apr2015, 15:54	3.31
PC_1100	0.182	70.6	01Apr2015, 14:55	6.08
PC_1000	0.168	109.7	01Apr2015, 13:20	5.6
J_PC_1000	6.018	1355.2	01Apr2015, 15:44	3.46
R_PC_900	6.018	1307.2	01Apr2015, 16:42	3.45
PC_900	0.463	316.7	01Apr2015, 13:09	5.23
PC_810	0.208	157.8	01Apr2015, 13:27	7.02
PC_820	0.066	49.2	01Apr2015, 13:19	6.35
J_PC_820	0.066	49.2	01Apr2015, 13:19	6.35
R_PC_810	0.066	39.5	01Apr2015, 14:12	6.24
J_PC_810	0.274	194.9	01Apr2015, 13:31	6.84
R_PC_800	0.274	194.1	01Apr2015, 13:46	6.83
PC_800	0.16	208.1	01Apr2015, 12:41	6.66
J_PC_800	6.915	1618.9	01Apr2015, 16:05	3.78
R_PC_700	6.915	1594.3	01Apr2015, 16:42	3.77
PC_700	0.154	253.6	01Apr2015, 12:25	5.86
J_PC_700	7.069	1617.8	01Apr2015, 16:39	3.82
R_PC_600	7.069	1616.9	01Apr2015, 16:46	3.82
PC_570	0.416	180.4	01Apr2015, 13:55	4.94
PC_590	0.172	75.5	01Apr2015, 14:08	5.41
J_PC_590	0.172	75.5	01Apr2015, 14:08	5.41
R_PC_580	0.172	72.9	01Apr2015, 15:10	5.4
PC_580	0.124	91.6	01Apr2015, 13:06	5.49
J_PC_580	0.296	135.2	01Apr2015, 14:21	5.44
R_PC_570	0.296	127.8	01Apr2015, 15:49	5.37
J_PC_570	0.712	289	01Apr2015, 14:32	5.12

R_PC_560	0.712	288.8	01Apr2015, 14:43	5.12
PC_560	0.163	112.3	01Apr2015, 13:07	5.14
J_PC_560	0.875	374.3	01Apr2015, 14:08	5.12
R_PC_550	0.875	305.5	01Apr2015, 14:32	5.11
PC_550	0.535	131.5	01Apr2015, 16:49	5.53
J_PC_550	1.41	415.9	01Apr2015, 15:57	5.27
R_PC_540	1.41	362	01Apr2015, 16:22	5.29
PC_530	0.064	42.8	01Apr2015, 13:38	6.74
PC_531	0.027	38.5	01Apr2015, 12:35	6.47
J_PC_531	0.027	38.5	01Apr2015, 12:35	6.47
R_PC_530	0.027	38.3	01Apr2015, 12:39	6.47
PC_540	0.015	13.1	01Apr2015, 13:17	7.38
J_PC_530	1.516	403.9	01Apr2015, 16:03	5.39
R_PC_520	1.516	403.7	01Apr2015, 16:09	5.39
PC_520	0.029	34.6	01Apr2015, 12:48	6.93
J_PC_520	1.545	413.6	01Apr2015, 16:01	5.42
R_PC_510	1.545	413.6	01Apr2015, 16:03	5.42
PC_510	0.184	137.1	01Apr2015, 13:15	6.11
J_PC_510	1.729	499.8	01Apr2015, 14:32	5.49
R_PC_500	1.729	496.1	01Apr2015, 15:24	5.49
PC_500	0.216	136.5	01Apr2015, 13:27	5.82
J_PC_L1	1.945	603.1	01Apr2015, 14:43	5.52
PC_600	0.004	5.4	01Apr2015, 12:41	7.11
J_PC_500	9.018	2176.2	01Apr2015, 16:31	4.19
R_PC_400	9.018	2085.7	01Apr2015, 17:36	4.18
PC_400	0.28	349.6	01Apr2015, 12:32	5.16
J_PC_400	9.298	2119.9	01Apr2015, 17:33	4.21
R_PC_300	9.298	2119.7	01Apr2015, 17:36	4.21
PC_240	0.206	57.1	01Apr2015, 15:08	4.54
PC_250	0.117	33.7	01Apr2015, 14:41	4.21
J_PC_250	0.117	33.7	01Apr2015, 14:41	4.21
R_PC_240	0.117	33.6	01Apr2015, 14:52	4.21
J_PC_240	0.323	90.6	01Apr2015, 15:03	4.42
R_PC_230	0.323	87.1	01Apr2015, 16:40	4.41
PC_230	0.126	51.3	01Apr2015, 14:21	5.39
J_PC_230	0.449	130.1	01Apr2015, 16:15	4.68
R_PC_220	0.449	115.2	01Apr2015, 16:50	4.66
PC_220	0.273	60	01Apr2015, 15:54	4.18
J_PC_220	0.722	174.3	01Apr2015, 16:38	4.48
R_PC_210	0.722	141.7	01Apr2015, 17:05	4.21
PC_210	0.135	60.7	01Apr2015, 13:44	4.73
J_PC_210	0.857	182	01Apr2015, 16:17	4.29
R_PC_200	0.857	181.9	01Apr2015, 16:33	4.29
PC_200	0.099	60.4	01Apr2015, 13:11	4.8
PC_300	0.025	15.3	01Apr2015, 13:32	5.86
J_PC_200	10.279	2325.3	01Apr2015, 17:30	4.22
R_PC_100	10.279	2127	01Apr2015, 19:17	4.2

PC_100	0.129	74	01Apr2015, 13:27	5.26
OUT_PC_100	10.408	2149.6	01Apr2015, 19:15	4.22
PC_2300	0.325	266.9	01Apr2015, 13:14	6.72
PC_1326	0.106	64.1	01Apr2015, 13:36	6
PC_1325	0.048	25.8	01Apr2015, 13:25	4.85
PC_2600	0.012	12.6	01Apr2015, 12:56	6.9
PC_2500	0.011	13.2	01Apr2015, 12:37	5.56
PC_230	0.126	60.8	01Apr2015, 14:17	6.26
J_PC_230	0.449	155.6	01Apr2015, 16:07	5.54
R_PC_220	0.449	138.1	01Apr2015, 16:38	5.52
PC_220	0.273	59.5	01Apr2015, 15:55	4.15
J_PC_220	0.722	197	01Apr2015, 16:30	5
R_PC_210	0.722	164.2	01Apr2015, 16:51	4.82
PC_210	0.135	61	01Apr2015, 13:44	4.76
J_PC_210	0.857	205.8	01Apr2015, 16:13	4.81
R_PC_200	0.857	205.6	01Apr2015, 16:32	4.81
PC_200	0.099	60.4	01Apr2015, 13:11	4.8
PC_300	0.025	14.3	01Apr2015, 13:33	5.53
J_PC_200	10.484	2972.9	01Apr2015, 18:29	6.46
R_PC_100	10.484	2824.1	01Apr2015, 20:15	6.43
PC_100	0.129	77.5	01Apr2015, 13:27	5.48
OUT_PC_100	10.613	2843.1	01Apr2015, 20:13	6.41

Project: Parkers-HMS

Simulation Run: 2YR-ALT2

Start of Run: 01Apr2015, 00:00

Basin Model: Parkers Creek-Alt2

End of Run: 03Apr2015, 00:00

Meteorologic Model: 2-YR

Compute Time: 16Dec2015, 12:40:34

Control Specifications: Control 1

Hydrologic Element	Drainage Area (MI2)	Peak Discharge (CFS)	Time of Peak	Volume (IN)
PC_2800	0.293	31.5	01Apr2015, 15:02	1.73
PC_2910	0.097	14.8	01Apr2015, 14:01	1.81
J_PC_2910	0.097	14.8	01Apr2015, 14:01	1.81
R_PC_2900	0.097	14.8	01Apr2015, 14:06	1.81
PC_3100	0.091	17	01Apr2015, 13:33	1.8
J_PC_3100	0.091	17	01Apr2015, 13:33	1.8
R_PC_3000	0.091	15.1	01Apr2015, 13:35	1.72
PC_3000	0.042	6.3	01Apr2015, 14:03	1.81
PC_2900	0.015	3	01Apr2015, 13:26	1.82
J_PC_2900	0.245	38.6	01Apr2015, 13:56	1.78
R_PC_2800	0.245	28.8	01Apr2015, 14:02	1.63
J_PC_2800	0.538	59	01Apr2015, 14:45	1.68
R_PC_2700	0.538	47.6	01Apr2015, 14:57	1.57
PC_2700	0.302	28.6	01Apr2015, 14:56	1.48
PC_2620	0.131	16.8	01Apr2015, 13:43	1.36
J_PC_2620	0.131	16.8	01Apr2015, 13:43	1.36
R_PC_2610	0.131	7.5	01Apr2015, 15:37	0.97
PC_2610	0.107	9	01Apr2015, 14:35	1.2
J_PC_2700	1.078	92.5	01Apr2015, 14:57	1.43
R_PC_2600	1.078	88.8	01Apr2015, 15:01	1.42
PC_2520	0.299	24.7	01Apr2015, 16:22	1.71
PC_2521	0.271	10.6	01Apr2015, 23:39	1.37
J_PC_2521	0.271	10.6	01Apr2015, 23:39	1.37
R_PC_2520	0.271	10.5	02Apr2015, 00:33	1.35
PC_2530	0.25	20.1	01Apr2015, 16:32	1.7
PC_2540	0.131	8.5	01Apr2015, 18:05	1.68
J_PC_2540	0.131	8.5	01Apr2015, 18:05	1.68
R_PC_2530	0.131	8.5	01Apr2015, 19:05	1.66
J_PC_2520	0.951	55.8	01Apr2015, 18:05	1.6
R_PC_2510	0.951	55.8	01Apr2015, 18:16	1.59
PC_2510	0.103	15.9	01Apr2015, 13:02	1.13
J_PC_2510	1.054	60.3	01Apr2015, 17:36	1.55
R_PC_2500	1.054	60.3	01Apr2015, 17:40	1.55
PC_2600	0.012	2.7	01Apr2015, 13:01	1.58
PC_2500	0.011	1.9	01Apr2015, 12:44	0.95
J_PC_2500	2.155	145.7	01Apr2015, 16:09	1.48
R_PC_2400	2.155	134.5	01Apr2015, 16:59	1.47
PC_2300	0.325	54.4	01Apr2015, 13:22	1.48

PC_2400	0.081	6.6	01Apr2015, 13:41	0.88
PC_2310	0.056	6.3	01Apr2015, 13:59	1.33
J_PC_2310	0.056	6.3	01Apr2015, 13:59	1.33
R_PC_2300	0.056	5.5	01Apr2015, 17:00	1.28
J_PC_2300	2.617	175.4	01Apr2015, 16:04	1.45
R_PC_2200	2.617	175	01Apr2015, 16:18	1.45
PC_2200	0.084	19	01Apr2015, 12:53	1.42
J_PC_2200	2.701	181.8	01Apr2015, 16:07	1.45
R_PC_2100	2.701	181.4	01Apr2015, 16:22	1.45
PC_2410	0.14	20.9	01Apr2015, 13:34	1.46
J_PC_2410	0.14	20.9	01Apr2015, 13:34	1.46
R_PC_2010	0.14	20.6	01Apr2015, 14:05	1.46
PC_2010	0.125	22.7	01Apr2015, 13:12	1.45
J_PC_2010	0.265	40.7	01Apr2015, 13:51	1.45
R_PC_2000	0.265	34.4	01Apr2015, 13:52	1.33
PC_2100	0.234	20.2	01Apr2015, 15:50	1.63
PC_2000	0.068	5.4	01Apr2015, 15:04	1.25
J_PC_2000	3.268	230.9	01Apr2015, 15:54	1.45
R_PC_1900	3.268	230.8	01Apr2015, 16:02	1.45
PC_1820	0.061	12.9	01Apr2015, 13:29	1.96
PC_1830	0.013	3.4	01Apr2015, 12:48	1.52
J_PC_1830	0.013	3.4	01Apr2015, 12:48	1.52
R_PC_1820	0.013	3.4	01Apr2015, 12:56	1.52
J_PC_1820	0.074	15.8	01Apr2015, 13:23	1.88
R_PC_1810	0.074	15.8	01Apr2015, 13:29	1.88
PC_1810	0.053	15.4	01Apr2015, 12:59	1.96
J_PC_1810	0.127	30.1	01Apr2015, 13:18	1.92
R_PC_1800	0.127	30.1	01Apr2015, 13:20	1.92
PC_1800	0.077	17.6	01Apr2015, 13:11	1.8
PC_1900	0.026	16.9	01Apr2015, 12:20	2
J_PC_1800	3.498	260.5	01Apr2015, 15:22	1.48
R_PC_1700	3.498	250.2	01Apr2015, 16:45	1.47
PC_1620	0.106	15.1	01Apr2015, 14:46	2.14
J_PC_1620	0.106	15.1	01Apr2015, 14:46	2.14
R_PC_1610	0.106	15	01Apr2015, 14:59	2.14
PC_1610	0.08	26.5	01Apr2015, 12:56	2.14
J_PC_1610	0.186	31.7	01Apr2015, 13:44	2.14
R_PC_1600	0.186	31.7	01Apr2015, 13:49	2.14
PC_1700	0.186	22.9	01Apr2015, 13:51	1.38
PC_1600	0.034	8.5	01Apr2015, 13:07	1.88
Reservoir-Alt2	3.904	123.1	02Apr2015, 01:54	1.17
R_PC_1500	3.904	122.9	02Apr2015, 02:29	1.16
PC_1500	0.129	26.1	01Apr2015, 13:25	1.82
J_PC_1500	4.033	124.4	02Apr2015, 01:47	1.18
R_PC_1400	4.033	124.1	02Apr2015, 02:42	1.16
PC_571	0.27	7.4	01Apr2015, 20:08	0.8
J_PC_571	0.27	7.4	01Apr2015, 20:08	0.8

R_PC_1360	0.27	7.2	01Apr2015, 20:31	0.79
PC_1360	0.083	4.6	01Apr2015, 13:55	0.64
J_PC_1360	0.353	9.4	01Apr2015, 18:21	0.76
R_PC_1350	0.353	9.4	01Apr2015, 18:58	0.75
PC_1370	0.092	5.8	01Apr2015, 15:12	1.01
J_PC_1370	0.092	5.8	01Apr2015, 15:12	1.01
R_PC_1327	0.092	5.8	01Apr2015, 15:19	1.01
PC_1327	0.047	12.1	01Apr2015, 12:39	1.25
J_PC_1327	0.139	12.7	01Apr2015, 12:43	1.09
R_PC_1325	0.139	9.4	01Apr2015, 14:39	1.05
PC_1326	0.106	10.6	01Apr2015, 13:51	1.14
J_PC_1326	0.106	10.6	01Apr2015, 13:51	1.14
R_PC_1324	0.106	10.6	01Apr2015, 14:01	1.14
PC_1325	0.048	2.8	01Apr2015, 13:57	0.68
PC_1324	0.032	4.3	01Apr2015, 13:14	1.13
J_PC_1324	0.325	26.3	01Apr2015, 14:06	1.03
R_PC_1323	0.325	26.3	01Apr2015, 14:07	1.03
PC_1350	0.098	12	01Apr2015, 13:08	0.97
PC_1323	0.027	3.6	01Apr2015, 13:11	1.07
J_PC_1323	0.803	44.5	01Apr2015, 14:04	0.9
R_PC_1321	0.803	40.4	01Apr2015, 14:06	0.87
PC_1321	0.074	9.9	01Apr2015, 13:28	1.26
J_PC_1321	0.877	49.8	01Apr2015, 13:59	0.91
R_PC_1320	0.877	49.8	01Apr2015, 14:01	0.91
PC_1330	0.137	22.5	01Apr2015, 13:17	1.38
PC_1340	0.102	7.3	01Apr2015, 15:21	1.19
J_PC_1340	0.102	7.3	01Apr2015, 15:21	1.19
R_PC_1330	0.102	5.8	01Apr2015, 18:45	1.19
PC_1320	0.035	13.1	01Apr2015, 12:40	1.88
J_PC_1320	1.151	79.8	01Apr2015, 13:42	1.02
R_PC_1310	1.151	75.5	01Apr2015, 14:29	1.02
PC_1310	0.278	38.2	01Apr2015, 14:01	1.63
J_PC_1310	1.429	113	01Apr2015, 14:20	1.14
R_PC_1300	1.429	108.6	01Apr2015, 15:06	1.13
PC_1300	0.135	22.6	01Apr2015, 13:40	1.71
J_PC_L2	1.564	127.9	01Apr2015, 14:57	1.18
PC_1400	0.165	15.5	01Apr2015, 14:30	1.31
J_PC_1300	5.762	173.6	01Apr2015, 15:25	1.17
R_PC_1200	5.762	173.1	01Apr2015, 15:47	1.17
PC_1200	0.111	8.5	01Apr2015, 13:38	0.81
J_PC_1200	5.873	179.9	01Apr2015, 15:40	1.16
R_PC_1100	5.873	174.2	01Apr2015, 20:55	1.15
PC_1100	0.182	12.3	01Apr2015, 15:33	1.17
PC_1000	0.168	15.8	01Apr2015, 13:34	0.96
J_PC_1000	6.223	191.9	01Apr2015, 17:29	1.14
R_PC_900	6.223	190	01Apr2015, 18:48	1.13
PC_900	0.463	39.5	01Apr2015, 13:24	0.82

PC_810	0.208	34.8	01Apr2015, 13:35	1.65
PC_820	0.066	9.1	01Apr2015, 13:29	1.3
J_PC_820	0.066	9.1	01Apr2015, 13:29	1.3
R_PC_810	0.066	8.1	01Apr2015, 14:22	1.28
J_PC_810	0.274	42	01Apr2015, 13:43	1.56
R_PC_800	0.274	42	01Apr2015, 13:51	1.56
PC_800	0.16	42.5	01Apr2015, 12:45	1.46
J_PC_800	7.12	237.9	01Apr2015, 17:08	1.14
R_PC_700	7.12	237.4	01Apr2015, 17:28	1.13
PC_700	0.154	41.2	01Apr2015, 12:31	1.07
J_PC_700	7.274	242.3	01Apr2015, 17:22	1.13
R_PC_600	7.274	242.3	01Apr2015, 17:25	1.13
PC_570	0.416	20.9	01Apr2015, 14:45	0.71
PC_590	0.172	10.5	01Apr2015, 14:47	0.89
J_PC_590	0.172	10.5	01Apr2015, 14:47	0.89
R_PC_580	0.172	10.5	01Apr2015, 15:16	0.89
PC_580	0.124	12.7	01Apr2015, 13:19	0.92
J_PC_580	0.296	20.7	01Apr2015, 14:34	0.9
R_PC_570	0.296	20.2	01Apr2015, 15:31	0.89
J_PC_570	0.712	40.8	01Apr2015, 15:21	0.78
R_PC_560	0.712	40.8	01Apr2015, 15:27	0.78
PC_560	0.163	13.5	01Apr2015, 13:22	0.78
J_PC_560	0.875	51.1	01Apr2015, 15:13	0.78
R_PC_550	0.875	39	01Apr2015, 15:30	0.69
PC_550	0.535	21.1	01Apr2015, 18:00	0.96
J_PC_550	1.41	57.4	01Apr2015, 16:23	0.79
R_PC_540	1.41	45.2	01Apr2015, 16:57	0.73
PC_530	0.064	8.8	01Apr2015, 13:48	1.5
PC_531	0.027	7.5	01Apr2015, 12:39	1.36
J_PC_531	0.027	7.5	01Apr2015, 12:39	1.36
R_PC_530	0.027	7.5	01Apr2015, 12:46	1.36
PC_540	0.015	3.2	01Apr2015, 13:23	1.85
J_PC_530	1.516	54.6	01Apr2015, 16:20	0.78
R_PC_520	1.516	54.6	01Apr2015, 16:27	0.78
PC_520	0.029	7.6	01Apr2015, 12:52	1.6
J_PC_520	1.545	57	01Apr2015, 16:16	0.8
R_PC_510	1.545	57	01Apr2015, 16:17	0.8
PC_510	0.184	23.4	01Apr2015, 13:25	1.18
J_PC_510	1.729	73	01Apr2015, 15:25	0.84
R_PC_500	1.729	72.5	01Apr2015, 15:59	0.84
PC_500	0.216	21.3	01Apr2015, 13:42	1.06
J_PC_L1	1.945	89.6	01Apr2015, 15:29	0.86
PC_600	0.004	1.2	01Apr2015, 12:45	1.7
J_PC_500	9.223	325.6	01Apr2015, 16:56	1.07
R_PC_400	9.223	316.2	01Apr2015, 18:07	1.06
PC_400	0.28	42.6	01Apr2015, 12:39	0.79
J_PC_400	9.503	323	01Apr2015, 18:00	1.05

R_PC_300	9.503	322.9	01Apr2015, 18:05	1.05
PC_240	0.206	6.1	01Apr2015, 16:46	0.57
PC_250	0.117	3.1	01Apr2015, 16:30	0.47
J_PC_250	0.117	3.1	01Apr2015, 16:30	0.47
R_PC_240	0.117	3.1	01Apr2015, 16:47	0.47
J_PC_240	0.323	9.2	01Apr2015, 16:46	0.53
R_PC_230	0.323	9.1	01Apr2015, 17:32	0.53
PC_230	0.126	7.2	01Apr2015, 15:07	0.88
J_PC_230	0.449	15.6	01Apr2015, 16:41	0.63
R_PC_220	0.449	14.8	01Apr2015, 17:29	0.62
PC_220	0.273	5.7	01Apr2015, 17:54	0.46
J_PC_220	0.722	20.5	01Apr2015, 17:35	0.56
R_PC_210	0.722	16.6	01Apr2015, 18:31	0.51
PC_210	0.135	6.4	01Apr2015, 14:34	0.63
J_PC_210	0.857	21.2	01Apr2015, 17:39	0.53
R_PC_200	0.857	21.2	01Apr2015, 17:51	0.53
PC_200	0.099	6.2	01Apr2015, 13:34	0.66
PC_300	0.025	2.4	01Apr2015, 13:47	1.07
J_PC_200	10.484	348.6	01Apr2015, 18:01	1.01
R_PC_100	10.484	317	01Apr2015, 20:52	0.98
PC_100	0.129	9.4	01Apr2015, 13:49	0.83
OUT_PC_100	10.613	320.4	01Apr2015, 20:47	0.98

Project: Parkers-HMS

Simulation Run: 10YR-ALT2

Start of Run: 01Apr2015, 00:00

Basin Model: Parkers Creek-Alt2

End of Run: 03Apr2015, 00:00

Meteorilgic Model: 10-YR

Compute Time: 16Dec2015, 12:40:34

Control Specifications: Control 1

Hydrologic Element	Drainage Area (MI2)	Peak Discharge (CFS)	Time of Peak	Volume (IN)
PC_2800	0.293	65.1	01Apr2015, 14:53	3.45
PC_2910	0.097	30.2	01Apr2015, 13:56	3.56
J_PC_2910	0.097	30.2	01Apr2015, 13:56	3.56
R_PC_2900	0.097	30.2	01Apr2015, 14:00	3.56
PC_3100	0.091	34.6	01Apr2015, 13:29	3.55
J_PC_3100	0.091	34.6	01Apr2015, 13:29	3.55
R_PC_3000	0.091	31.2	01Apr2015, 13:30	3.44
PC_3000	0.042	12.9	01Apr2015, 13:58	3.56
PC_2900	0.015	6.1	01Apr2015, 13:22	3.57
J_PC_2900	0.245	79	01Apr2015, 13:51	3.52
R_PC_2800	0.245	57.5	01Apr2015, 13:57	3.12
J_PC_2800	0.538	119.9	01Apr2015, 14:40	3.3
R_PC_2700	0.538	96.7	01Apr2015, 14:53	3.19
PC_2700	0.302	62.9	01Apr2015, 14:44	3.1
PC_2620	0.131	38.7	01Apr2015, 13:37	2.94
J_PC_2620	0.131	38.7	01Apr2015, 13:37	2.94
R_PC_2610	0.131	15.4	01Apr2015, 14:22	1.85
PC_2610	0.107	21.8	01Apr2015, 14:20	2.69
J_PC_2700	1.078	196.3	01Apr2015, 14:45	2.95
R_PC_2600	1.078	189	01Apr2015, 14:48	2.95
PC_2520	0.299	50.8	01Apr2015, 16:05	3.42
PC_2521	0.271	21	01Apr2015, 23:08	2.72
J_PC_2521	0.271	21	01Apr2015, 23:08	2.72
R_PC_2520	0.271	20.9	02Apr2015, 00:01	2.68
PC_2530	0.25	41.3	01Apr2015, 16:14	3.41
PC_2540	0.131	17.3	01Apr2015, 17:43	3.34
J_PC_2540	0.131	17.3	01Apr2015, 17:43	3.34
R_PC_2530	0.131	17.2	01Apr2015, 18:39	3.31
J_PC_2520	0.951	114	01Apr2015, 17:38	3.19
R_PC_2510	0.951	113.9	01Apr2015, 17:47	3.18
PC_2510	0.103	40.1	01Apr2015, 12:57	2.58
J_PC_2510	1.054	124.9	01Apr2015, 16:48	3.13
R_PC_2500	1.054	124.9	01Apr2015, 16:51	3.12
PC_2600	0.012	5.8	01Apr2015, 12:58	3.25
PC_2500	0.011	5.2	01Apr2015, 12:39	2.3
J_PC_2500	2.155	307.1	01Apr2015, 15:52	3.03
R_PC_2400	2.155	286.6	01Apr2015, 16:21	3.03
PC_2300	0.325	120.7	01Apr2015, 13:17	3.11

PC_2400	0.081	18.7	01Apr2015, 13:30	2.19
PC_2310	0.056	14.6	01Apr2015, 13:51	2.89
J_PC_2310	0.056	14.6	01Apr2015, 13:51	2.89
R_PC_2300	0.056	12.4	01Apr2015, 16:21	2.81
J_PC_2300	2.617	381.8	01Apr2015, 15:34	3.01
R_PC_2200	2.617	360.9	01Apr2015, 16:58	3.01
PC_2200	0.084	42.8	01Apr2015, 12:50	3.03
J_PC_2200	2.701	371.5	01Apr2015, 16:47	3.01
R_PC_2100	2.701	371.2	01Apr2015, 16:58	3.01
PC_2410	0.14	46.5	01Apr2015, 13:29	3.08
J_PC_2410	0.14	46.5	01Apr2015, 13:29	3.08
R_PC_2010	0.14	45.9	01Apr2015, 13:55	3.08
PC_2010	0.125	50.7	01Apr2015, 13:08	3.06
J_PC_2010	0.265	91.2	01Apr2015, 13:41	3.07
R_PC_2000	0.265	76.2	01Apr2015, 13:42	2.8
PC_2100	0.234	42.6	01Apr2015, 15:35	3.32
PC_2000	0.068	12.6	01Apr2015, 14:45	2.77
J_PC_2000	3.268	468.5	01Apr2015, 16:21	3.01
R_PC_1900	3.268	468.3	01Apr2015, 16:28	3.01
PC_1820	0.061	25.3	01Apr2015, 13:26	3.76
PC_1830	0.013	7.5	01Apr2015, 12:46	3.17
J_PC_1830	0.013	7.5	01Apr2015, 12:46	3.17
R_PC_1820	0.013	7.5	01Apr2015, 12:52	3.17
J_PC_1820	0.074	31.7	01Apr2015, 13:20	3.66
R_PC_1810	0.074	31.7	01Apr2015, 13:25	3.66
PC_1810	0.053	30.3	01Apr2015, 12:57	3.76
J_PC_1810	0.127	59.9	01Apr2015, 13:14	3.7
R_PC_1800	0.127	59.8	01Apr2015, 13:15	3.7
PC_1800	0.077	35.9	01Apr2015, 13:08	3.55
PC_1900	0.026	32.5	01Apr2015, 12:19	3.81
J_PC_1800	3.498	516.8	01Apr2015, 15:50	3.05
R_PC_1700	3.498	495.6	01Apr2015, 17:21	3.05
PC_1620	0.106	28.7	01Apr2015, 14:41	3.99
J_PC_1620	0.106	28.7	01Apr2015, 14:41	3.99
R_PC_1610	0.106	28.6	01Apr2015, 14:52	3.99
PC_1610	0.08	50.1	01Apr2015, 12:54	3.99
J_PC_1610	0.186	61.2	01Apr2015, 13:10	3.99
R_PC_1600	0.186	61.2	01Apr2015, 13:16	3.99
PC_1700	0.186	52.3	01Apr2015, 13:44	2.96
PC_1600	0.034	17	01Apr2015, 13:05	3.65
Reservoir-Alt2	3.904	271.4	02Apr2015, 02:09	2.49
R_PC_1500	3.904	270.6	02Apr2015, 02:49	2.47
PC_1500	0.129	53	01Apr2015, 13:21	3.58
J_PC_1500	4.033	272.8	02Apr2015, 02:31	2.5
R_PC_1400	4.033	272.4	02Apr2015, 03:02	2.47
PC_571	0.27	19.2	01Apr2015, 19:15	2.01
J_PC_571	0.27	19.2	01Apr2015, 19:15	2.01

R_PC_1360	0.27	18.5	01Apr2015, 19:32	1.99
PC_1360	0.083	15.3	01Apr2015, 13:30	1.79
J_PC_1360	0.353	24.9	01Apr2015, 17:56	1.94
R_PC_1350	0.353	24.9	01Apr2015, 18:19	1.93
PC_1370	0.092	14.9	01Apr2015, 14:43	2.4
J_PC_1370	0.092	14.9	01Apr2015, 14:43	2.4
R_PC_1327	0.092	14.9	01Apr2015, 14:48	2.4
PC_1327	0.047	28.7	01Apr2015, 12:36	2.77
J_PC_1327	0.139	31.3	01Apr2015, 12:41	2.52
R_PC_1325	0.139	23.5	01Apr2015, 14:14	2.47
PC_1326	0.106	26.5	01Apr2015, 13:42	2.6
J_PC_1326	0.106	26.5	01Apr2015, 13:42	2.6
R_PC_1324	0.106	26.5	01Apr2015, 13:50	2.6
PC_1325	0.048	9	01Apr2015, 13:33	1.85
PC_1324	0.032	10.8	01Apr2015, 13:09	2.58
J_PC_1324	0.325	68.2	01Apr2015, 13:44	2.43
R_PC_1323	0.325	68.2	01Apr2015, 13:45	2.43
PC_1350	0.098	32.6	01Apr2015, 13:02	2.34
PC_1323	0.027	9.2	01Apr2015, 13:05	2.49
J_PC_1323	0.803	120.5	01Apr2015, 13:42	2.2
R_PC_1321	0.803	110.1	01Apr2015, 13:44	2.15
PC_1321	0.074	23.5	01Apr2015, 13:22	2.79
J_PC_1321	0.877	132.9	01Apr2015, 13:40	2.2
R_PC_1320	0.877	132.9	01Apr2015, 13:41	2.2
PC_1330	0.137	51.4	01Apr2015, 13:12	2.97
PC_1340	0.102	17.4	01Apr2015, 14:57	2.68
J_PC_1340	0.102	17.4	01Apr2015, 14:57	2.68
R_PC_1330	0.102	13.6	01Apr2015, 18:20	2.68
PC_1320	0.035	26.1	01Apr2015, 12:39	3.65
J_PC_1320	1.151	201.8	01Apr2015, 13:28	2.38
R_PC_1310	1.151	187.7	01Apr2015, 14:15	2.38
PC_1310	0.278	81.3	01Apr2015, 13:55	3.31
J_PC_1310	1.429	267.9	01Apr2015, 14:09	2.56
R_PC_1300	1.429	261.8	01Apr2015, 14:38	2.56
PC_1300	0.135	47.2	01Apr2015, 13:35	3.43
J_PC_L2	1.564	303.5	01Apr2015, 14:33	2.63
PC_1400	0.165	36.1	01Apr2015, 14:18	2.86
J_PC_1300	5.762	399.3	01Apr2015, 14:46	2.52
R_PC_1200	5.762	396.5	01Apr2015, 15:09	2.52
PC_1200	0.111	25.2	01Apr2015, 13:25	2.08
J_PC_1200	5.873	416.1	01Apr2015, 15:04	2.51
R_PC_1100	5.873	385	01Apr2015, 17:07	2.47
PC_1100	0.182	29.6	01Apr2015, 15:06	2.65
PC_1000	0.168	42.9	01Apr2015, 13:25	2.33
J_PC_1000	6.223	434.8	01Apr2015, 16:43	2.48
R_PC_900	6.223	426.6	01Apr2015, 17:50	2.45
PC_900	0.463	117.2	01Apr2015, 13:14	2.09

PC_810	0.208	73.7	01Apr2015, 13:30	3.34
PC_820	0.066	21.3	01Apr2015, 13:23	2.85
J_PC_820	0.066	21.3	01Apr2015, 13:23	2.85
R_PC_810	0.066	18.8	01Apr2015, 14:02	2.82
J_PC_810	0.274	91.6	01Apr2015, 13:36	3.22
R_PC_800	0.274	91.3	01Apr2015, 13:50	3.22
PC_800	0.16	94.5	01Apr2015, 12:42	3.07
J_PC_800	7.12	542.4	01Apr2015, 16:39	2.47
R_PC_700	7.12	539.1	01Apr2015, 17:07	2.46
PC_700	0.154	105.1	01Apr2015, 12:27	2.5
J_PC_700	7.274	549.6	01Apr2015, 17:02	2.47
R_PC_600	7.274	549.5	01Apr2015, 17:08	2.46
PC_570	0.416	64	01Apr2015, 14:06	1.9
PC_590	0.172	28.9	01Apr2015, 14:18	2.21
J_PC_590	0.172	28.9	01Apr2015, 14:18	2.21
R_PC_580	0.172	28.7	01Apr2015, 14:45	2.2
PC_580	0.124	35.3	01Apr2015, 13:11	2.26
J_PC_580	0.296	56.5	01Apr2015, 14:15	2.23
R_PC_570	0.296	54.9	01Apr2015, 14:58	2.21
J_PC_570	0.712	116.8	01Apr2015, 14:44	2.03
R_PC_560	0.712	116.7	01Apr2015, 14:49	2.03
PC_560	0.163	41	01Apr2015, 13:12	2.03
J_PC_560	0.875	147.9	01Apr2015, 14:32	2.03
R_PC_550	0.875	112.2	01Apr2015, 14:59	1.9
PC_550	0.535	53	01Apr2015, 17:17	2.31
J_PC_550	1.41	156	01Apr2015, 16:01	2.06
R_PC_540	1.41	128.4	01Apr2015, 16:37	2.03
PC_530	0.064	19.4	01Apr2015, 13:42	3.13
PC_531	0.027	17.1	01Apr2015, 12:37	2.93
J_PC_531	0.027	17.1	01Apr2015, 12:37	2.93
R_PC_530	0.027	17.1	01Apr2015, 12:42	2.93
PC_540	0.015	6.4	01Apr2015, 13:19	3.62
J_PC_530	1.516	147.9	01Apr2015, 16:13	2.11
R_PC_520	1.516	147.8	01Apr2015, 16:21	2.11
PC_520	0.029	16.1	01Apr2015, 12:49	3.27
J_PC_520	1.545	152.6	01Apr2015, 16:11	2.13
R_PC_510	1.545	152.6	01Apr2015, 16:12	2.13
PC_510	0.184	57.5	01Apr2015, 13:19	2.67
J_PC_510	1.729	189.1	01Apr2015, 15:12	2.19
R_PC_500	1.729	187.8	01Apr2015, 15:46	2.19
PC_500	0.216	55.1	01Apr2015, 13:33	2.48
J_PC_L1	1.945	230	01Apr2015, 15:10	2.22
PC_600	0.004	2.6	01Apr2015, 12:43	3.41
J_PC_500	9.223	764	01Apr2015, 16:41	2.41
R_PC_400	9.223	737.7	01Apr2015, 17:54	2.39
PC_400	0.28	129.8	01Apr2015, 12:35	2.04
J_PC_400	9.503	752.8	01Apr2015, 17:48	2.38

R_PC_300	9.503	752.7	01Apr2015, 17:51	2.38
PC_240	0.206	19.4	01Apr2015, 15:43	1.66
PC_250	0.117	10.7	01Apr2015, 15:17	1.47
J_PC_250	0.117	10.7	01Apr2015, 15:17	1.47
R_PC_240	0.117	10.7	01Apr2015, 15:30	1.47
J_PC_240	0.323	30.1	01Apr2015, 15:38	1.59
R_PC_230	0.323	29.9	01Apr2015, 16:18	1.59
PC_230	0.126	19.6	01Apr2015, 14:32	2.19
J_PC_230	0.449	48	01Apr2015, 15:51	1.76
R_PC_220	0.449	40.3	01Apr2015, 16:50	1.69
PC_220	0.273	19.4	01Apr2015, 16:42	1.45
J_PC_220	0.722	59.8	01Apr2015, 16:47	1.6
R_PC_210	0.722	37.8	01Apr2015, 17:55	1.14
PC_210	0.135	20.7	01Apr2015, 13:54	1.77
J_PC_210	0.857	52	01Apr2015, 16:36	1.24
R_PC_200	0.857	52	01Apr2015, 16:45	1.24
PC_200	0.099	20.8	01Apr2015, 13:18	1.81
PC_300	0.025	6.2	01Apr2015, 13:38	2.5
J_PC_200	10.484	815	01Apr2015, 17:44	2.28
R_PC_100	10.484	746.4	01Apr2015, 20:08	2.23
PC_100	0.129	27.5	01Apr2015, 13:34	2.1
OUT_PC_100	10.613	754.9	01Apr2015, 20:04	2.23

Project: Parkers-HMS

Simulation Run: 25YR-ALT2

Start of Run: 01Apr2015, 00:00

Basin Model: Parkers Creek-Alt2

End of Run: 03Apr2015, 00:00

Meteorilgic Model: 25-YR

Compute Time: 16Dec2015, 12:40:34

Control Specifications: Control 1

Hydrologic Element	Drainage Area (MI2)	Peak Discharge (CFS)	Time of Peak	Volume (IN)
PC_2800	0.293	90.2	01Apr2015, 14:50	4.73
PC_2910	0.097	41.6	01Apr2015, 13:54	4.85
J_PC_2910	0.097	41.6	01Apr2015, 13:54	4.85
R_PC_2900	0.097	41.6	01Apr2015, 13:58	4.85
PC_3100	0.091	47.6	01Apr2015, 13:28	4.84
J_PC_3100	0.091	47.6	01Apr2015, 13:28	4.84
R_PC_3000	0.091	43	01Apr2015, 13:29	4.72
PC_3000	0.042	17.7	01Apr2015, 13:56	4.85
PC_2900	0.015	8.4	01Apr2015, 13:21	4.86
J_PC_2900	0.245	108.7	01Apr2015, 13:49	4.8
R_PC_2800	0.245	80.1	01Apr2015, 13:56	4.41
J_PC_2800	0.538	166.4	01Apr2015, 14:38	4.58
R_PC_2700	0.538	135.5	01Apr2015, 14:49	4.51
PC_2700	0.302	89.2	01Apr2015, 14:41	4.33
PC_2620	0.131	55.5	01Apr2015, 13:35	4.15
J_PC_2620	0.131	55.5	01Apr2015, 13:35	4.15
R_PC_2610	0.131	31.9	01Apr2015, 13:50	3.45
PC_2610	0.107	31.8	01Apr2015, 14:17	3.85
J_PC_2700	1.078	286.5	01Apr2015, 14:40	4.27
R_PC_2600	1.078	276.6	01Apr2015, 14:42	4.26
PC_2520	0.299	70.3	01Apr2015, 16:01	4.69
PC_2521	0.271	28.7	01Apr2015, 22:58	3.72
J_PC_2521	0.271	28.7	01Apr2015, 22:58	3.72
R_PC_2520	0.271	28.6	01Apr2015, 23:49	3.66
PC_2530	0.25	57.2	01Apr2015, 16:10	4.68
PC_2540	0.131	23.8	01Apr2015, 17:37	4.57
J_PC_2540	0.131	23.8	01Apr2015, 17:37	4.57
R_PC_2530	0.131	23.7	01Apr2015, 18:30	4.54
J_PC_2520	0.951	157.4	01Apr2015, 17:27	4.37
R_PC_2510	0.951	157.3	01Apr2015, 17:40	4.36
PC_2510	0.103	59.3	01Apr2015, 12:56	3.72
J_PC_2510	1.054	173.4	01Apr2015, 16:30	4.3
R_PC_2500	1.054	173.4	01Apr2015, 16:39	4.3
PC_2600	0.012	8.2	01Apr2015, 12:57	4.5
PC_2500	0.011	7.9	01Apr2015, 12:38	3.39
J_PC_2500	2.155	437.5	01Apr2015, 15:43	4.27
R_PC_2400	2.155	409.9	01Apr2015, 16:09	4.27
PC_2300	0.325	170.8	01Apr2015, 13:16	4.34

PC_2400	0.081	28.7	01Apr2015, 13:27	3.25
PC_2310	0.056	21	01Apr2015, 13:48	4.08
J_PC_2310	0.056	21	01Apr2015, 13:48	4.08
R_PC_2300	0.056	17.7	01Apr2015, 16:06	3.99
J_PC_2300	2.617	548.9	01Apr2015, 15:12	4.24
R_PC_2200	2.617	511.9	01Apr2015, 16:54	4.24
PC_2200	0.084	60.8	01Apr2015, 12:49	4.24
J_PC_2200	2.701	526.5	01Apr2015, 16:40	4.24
R_PC_2100	2.701	525	01Apr2015, 17:04	4.24
PC_2410	0.14	66	01Apr2015, 13:27	4.31
J_PC_2410	0.14	66	01Apr2015, 13:27	4.31
R_PC_2010	0.14	63.3	01Apr2015, 14:22	4.3
PC_2010	0.125	72	01Apr2015, 13:07	4.29
J_PC_2010	0.265	121.8	01Apr2015, 13:48	4.29
R_PC_2000	0.265	103.6	01Apr2015, 13:55	4.03
PC_2100	0.234	59.4	01Apr2015, 15:31	4.58
PC_2000	0.068	18.3	01Apr2015, 14:41	3.95
J_PC_2000	3.268	660.6	01Apr2015, 16:16	4.24
R_PC_1900	3.268	660.2	01Apr2015, 16:27	4.24
PC_1820	0.061	34.3	01Apr2015, 13:25	5.08
PC_1830	0.013	10.5	01Apr2015, 12:45	4.41
J_PC_1830	0.013	10.5	01Apr2015, 12:45	4.41
R_PC_1820	0.013	10.5	01Apr2015, 12:50	4.41
J_PC_1820	0.074	43.2	01Apr2015, 13:19	4.96
R_PC_1810	0.074	43.2	01Apr2015, 13:24	4.96
PC_1810	0.053	41	01Apr2015, 12:56	5.08
J_PC_1810	0.127	81.4	01Apr2015, 13:12	5.01
R_PC_1800	0.127	81.4	01Apr2015, 13:13	5.01
PC_1800	0.077	49.2	01Apr2015, 13:07	4.84
PC_1900	0.026	43.6	01Apr2015, 12:19	5.13
J_PC_1800	3.498	727.6	01Apr2015, 15:41	4.29
R_PC_1700	3.498	691.7	01Apr2015, 17:31	4.29
PC_1620	0.106	38.5	01Apr2015, 14:39	5.32
J_PC_1620	0.106	38.5	01Apr2015, 14:39	5.32
R_PC_1610	0.106	38.4	01Apr2015, 14:50	5.32
PC_1610	0.08	66.9	01Apr2015, 12:53	5.32
J_PC_1610	0.186	82.5	01Apr2015, 13:08	5.32
R_PC_1600	0.186	82.5	01Apr2015, 13:13	5.32
PC_1700	0.186	74.9	01Apr2015, 13:42	4.17
PC_1600	0.034	23.2	01Apr2015, 13:04	4.95
Reservoir-Alt2	3.904	392	02Apr2015, 01:46	3.54
R_PC_1500	3.904	390.9	02Apr2015, 02:30	3.51
PC_1500	0.129	72.7	01Apr2015, 13:20	4.87
J_PC_1500	4.033	394.1	02Apr2015, 02:08	3.56
R_PC_1400	4.033	393.5	02Apr2015, 02:41	3.51
PC_571	0.27	29	01Apr2015, 18:56	3
J_PC_571	0.27	29	01Apr2015, 18:56	3

R_PC_1360	0.27	27.9	01Apr2015, 19:15	2.97
PC_1360	0.083	24.9	01Apr2015, 13:26	2.76
J_PC_1360	0.353	37.7	01Apr2015, 17:49	2.92
R_PC_1350	0.353	37.6	01Apr2015, 18:09	2.9
PC_1370	0.092	22.4	01Apr2015, 14:37	3.5
J_PC_1370	0.092	22.4	01Apr2015, 14:37	3.5
R_PC_1327	0.092	22.4	01Apr2015, 14:42	3.5
PC_1327	0.047	41.5	01Apr2015, 12:35	3.95
J_PC_1327	0.139	46.2	01Apr2015, 12:40	3.65
R_PC_1325	0.139	34.9	01Apr2015, 14:05	3.59
PC_1326	0.106	39.1	01Apr2015, 13:39	3.75
J_PC_1326	0.106	39.1	01Apr2015, 13:39	3.75
R_PC_1324	0.106	39.1	01Apr2015, 13:46	3.75
PC_1325	0.048	14.4	01Apr2015, 13:29	2.83
PC_1324	0.032	16	01Apr2015, 13:07	3.72
J_PC_1324	0.325	102.4	01Apr2015, 13:39	3.54
R_PC_1323	0.325	102.4	01Apr2015, 13:40	3.54
PC_1350	0.098	49.4	01Apr2015, 13:00	3.44
PC_1323	0.027	13.7	01Apr2015, 13:03	3.62
J_PC_1323	0.803	183.5	01Apr2015, 13:37	3.25
R_PC_1321	0.803	168.6	01Apr2015, 13:39	3.2
PC_1321	0.074	34.1	01Apr2015, 13:20	3.97
J_PC_1321	0.877	202	01Apr2015, 13:35	3.27
R_PC_1320	0.877	202	01Apr2015, 13:36	3.27
PC_1330	0.137	73.5	01Apr2015, 13:11	4.18
PC_1340	0.102	25.4	01Apr2015, 14:52	3.84
J_PC_1340	0.102	25.4	01Apr2015, 14:52	3.84
R_PC_1330	0.102	19.6	01Apr2015, 18:11	3.84
PC_1320	0.035	35.4	01Apr2015, 12:38	4.95
J_PC_1320	1.151	300.6	01Apr2015, 13:24	3.48
R_PC_1310	1.151	274.6	01Apr2015, 14:16	3.47
PC_1310	0.278	113.6	01Apr2015, 13:53	4.57
J_PC_1310	1.429	386.3	01Apr2015, 14:08	3.69
R_PC_1300	1.429	379.7	01Apr2015, 14:33	3.69
PC_1300	0.135	65.4	01Apr2015, 13:33	4.71
J_PC_L2	1.564	437.7	01Apr2015, 14:28	3.77
PC_1400	0.165	52.1	01Apr2015, 14:15	4.05
J_PC_1300	5.762	575.1	01Apr2015, 14:43	3.6
R_PC_1200	5.762	570.3	01Apr2015, 15:10	3.59
PC_1200	0.111	39.2	01Apr2015, 13:22	3.12
J_PC_1200	5.873	599.7	01Apr2015, 15:04	3.58
R_PC_1100	5.873	574.3	01Apr2015, 16:14	3.53
PC_1100	0.182	43.4	01Apr2015, 15:00	3.81
PC_1000	0.168	65.1	01Apr2015, 13:23	3.42
J_PC_1000	6.223	654.3	01Apr2015, 16:07	3.54
R_PC_900	6.223	630.2	01Apr2015, 17:01	3.51
PC_900	0.463	182.8	01Apr2015, 13:12	3.13

PC_810	0.208	102.7	01Apr2015, 13:29	4.61
PC_820	0.066	30.8	01Apr2015, 13:21	4.04
J_PC_820	0.066	30.8	01Apr2015, 13:21	4.04
R_PC_810	0.066	25.6	01Apr2015, 14:06	3.96
J_PC_810	0.274	127.2	01Apr2015, 13:32	4.45
R_PC_800	0.274	126.7	01Apr2015, 13:48	4.45
PC_800	0.16	133.6	01Apr2015, 12:42	4.3
J_PC_800	7.12	813.5	01Apr2015, 16:26	3.54
R_PC_700	7.12	803.6	01Apr2015, 16:54	3.53
PC_700	0.154	155.3	01Apr2015, 12:26	3.63
J_PC_700	7.274	818.6	01Apr2015, 16:51	3.53
R_PC_600	7.274	818.2	01Apr2015, 16:57	3.53
PC_570	0.416	101.7	01Apr2015, 14:00	2.9
PC_590	0.172	44.3	01Apr2015, 14:13	3.27
J_PC_590	0.172	44.3	01Apr2015, 14:13	3.27
R_PC_580	0.172	43.7	01Apr2015, 14:49	3.27
PC_580	0.124	54	01Apr2015, 13:09	3.33
J_PC_580	0.296	85.6	01Apr2015, 14:03	3.29
R_PC_570	0.296	83.2	01Apr2015, 14:48	3.28
J_PC_570	0.712	181.5	01Apr2015, 14:30	3.06
R_PC_560	0.712	181.1	01Apr2015, 14:41	3.06
PC_560	0.163	64.3	01Apr2015, 13:09	3.05
J_PC_560	0.875	229.9	01Apr2015, 14:24	3.06
R_PC_550	0.875	183.9	01Apr2015, 14:43	3.03
PC_550	0.535	79	01Apr2015, 17:03	3.38
J_PC_550	1.41	245	01Apr2015, 15:41	3.17
R_PC_540	1.41	206.5	01Apr2015, 16:14	3.18
PC_530	0.064	27.4	01Apr2015, 13:40	4.36
PC_531	0.027	24.5	01Apr2015, 12:36	4.13
J_PC_531	0.027	24.5	01Apr2015, 12:36	4.13
R_PC_530	0.027	24.4	01Apr2015, 12:41	4.13
PC_540	0.015	8.7	01Apr2015, 13:18	4.92
J_PC_530	1.516	235.4	01Apr2015, 15:50	3.26
R_PC_520	1.516	235.3	01Apr2015, 15:58	3.26
PC_520	0.029	22.5	01Apr2015, 12:49	4.53
J_PC_520	1.545	242.6	01Apr2015, 15:47	3.28
R_PC_510	1.545	242.6	01Apr2015, 15:49	3.28
PC_510	0.184	84.4	01Apr2015, 13:17	3.83
J_PC_510	1.729	298.9	01Apr2015, 14:54	3.34
R_PC_500	1.729	296.6	01Apr2015, 15:26	3.34
PC_500	0.216	82.3	01Apr2015, 13:30	3.6
J_PC_L1	1.945	361	01Apr2015, 14:56	3.37
PC_600	0.004	3.6	01Apr2015, 12:42	4.68
J_PC_500	9.223	1147.8	01Apr2015, 16:40	3.49
R_PC_400	9.223	1101.9	01Apr2015, 17:41	3.46
PC_400	0.28	202.5	01Apr2015, 12:33	3.07
J_PC_400	9.503	1123.9	01Apr2015, 17:36	3.45

R_PC_300	9.503	1123.8	01Apr2015, 17:40	3.45
PC_240	0.206	31.4	01Apr2015, 15:24	2.6
PC_250	0.117	17.9	01Apr2015, 14:56	2.35
J_PC_250	0.117	17.9	01Apr2015, 14:56	2.35
R_PC_240	0.117	17.9	01Apr2015, 15:08	2.35
J_PC_240	0.323	49.2	01Apr2015, 15:18	2.51
R_PC_230	0.323	47.9	01Apr2015, 16:50	2.49
PC_230	0.126	30	01Apr2015, 14:26	3.25
J_PC_230	0.449	73.6	01Apr2015, 16:15	2.71
R_PC_220	0.449	63.7	01Apr2015, 17:02	2.64
PC_220	0.273	32.2	01Apr2015, 16:18	2.32
J_PC_220	0.722	95.6	01Apr2015, 16:51	2.52
R_PC_210	0.722	64.4	01Apr2015, 17:54	1.92
PC_210	0.135	33.5	01Apr2015, 13:49	2.74
J_PC_210	0.857	85.7	01Apr2015, 16:43	2.05
R_PC_200	0.857	85.7	01Apr2015, 16:51	2.05
PC_200	0.099	33.6	01Apr2015, 13:14	2.79
PC_300	0.025	9.2	01Apr2015, 13:35	3.63
J_PC_200	10.484	1225.7	01Apr2015, 17:35	3.33
R_PC_100	10.484	1115.3	01Apr2015, 19:39	3.26
PC_100	0.129	42.8	01Apr2015, 13:31	3.15
OUT_PC_100	10.613	1128.6	01Apr2015, 19:35	3.26

Project: Parkers-HMS

Simulation Run: 50YR-ALT2

Start of Run: 01Apr2015, 00:00

Basin Model: Parkers Creek-Alt2

End of Run: 03Apr2015, 00:00

Meteorologic Model: 50-YR

Compute Time: 16Dec2015, 12:40:34

Control Specifications: Control 1

Hydrologic Element	Drainage Area (MI ²)	Peak Discharge (CFS)	Time of Peak	Volume (IN)
PC_2800	0.293	112.6	01Apr2015, 14:49	5.87
PC_2910	0.097	51.7	01Apr2015, 13:53	6.01
J_PC_2910	0.097	51.7	01Apr2015, 13:53	6.01
R_PC_2900	0.097	51.7	01Apr2015, 13:57	6.01
PC_3100	0.091	59.1	01Apr2015, 13:27	5.99
J_PC_3100	0.091	59.1	01Apr2015, 13:27	5.99
R_PC_3000	0.091	53.6	01Apr2015, 13:28	5.87
PC_3000	0.042	22	01Apr2015, 13:55	6.01
PC_2900	0.015	10.4	01Apr2015, 13:20	6.02
J_PC_2900	0.245	135.2	01Apr2015, 13:48	5.96
R_PC_2800	0.245	100.5	01Apr2015, 13:55	5.64
J_PC_2800	0.538	208.4	01Apr2015, 14:38	5.77
R_PC_2700	0.538	171.1	01Apr2015, 14:47	5.71
PC_2700	0.302	113	01Apr2015, 14:39	5.44
PC_2620	0.131	70.8	01Apr2015, 13:34	5.24
J_PC_2620	0.131	70.8	01Apr2015, 13:34	5.24
R_PC_2610	0.131	43.7	01Apr2015, 13:47	4.68
PC_2610	0.107	41.1	01Apr2015, 14:15	4.92
J_PC_2700	1.078	365.9	01Apr2015, 14:38	5.43
R_PC_2600	1.078	354.3	01Apr2015, 14:40	5.44
PC_2520	0.299	87.8	01Apr2015, 15:59	5.82
PC_2521	0.271	35.6	01Apr2015, 22:54	4.61
J_PC_2521	0.271	35.6	01Apr2015, 22:54	4.61
R_PC_2520	0.271	35.4	01Apr2015, 23:42	4.55
PC_2530	0.25	71.4	01Apr2015, 16:08	5.81
PC_2540	0.131	29.7	01Apr2015, 17:34	5.68
J_PC_2540	0.131	29.7	01Apr2015, 17:34	5.68
R_PC_2530	0.131	29.5	01Apr2015, 18:24	5.64
J_PC_2520	0.951	196.4	01Apr2015, 17:20	5.43
R_PC_2510	0.951	196.3	01Apr2015, 17:42	5.42
PC_2510	0.103	76.8	01Apr2015, 12:55	4.78
J_PC_2510	1.054	216	01Apr2015, 16:41	5.36
R_PC_2500	1.054	215.9	01Apr2015, 16:51	5.36
PC_2600	0.012	10.3	01Apr2015, 12:56	5.62
PC_2500	0.011	10.3	01Apr2015, 12:37	4.4
J_PC_2500	2.155	550.1	01Apr2015, 15:27	5.39
R_PC_2400	2.155	524.7	01Apr2015, 16:11	5.41
PC_2300	0.325	216.1	01Apr2015, 13:15	5.46

PC_2400	0.081	38.2	01Apr2015, 13:25	4.24
PC_2310	0.056	26.9	01Apr2015, 13:47	5.17
J_PC_2310	0.056	26.9	01Apr2015, 13:47	5.17
R_PC_2300	0.056	22.7	01Apr2015, 15:56	5.07
J_PC_2300	2.617	705.1	01Apr2015, 15:00	5.37
R_PC_2200	2.617	643	01Apr2015, 17:04	5.37
PC_2200	0.084	77	01Apr2015, 12:49	5.35
J_PC_2200	2.701	659.9	01Apr2015, 16:52	5.37
R_PC_2100	2.701	657.7	01Apr2015, 17:16	5.37
PC_2410	0.14	83.6	01Apr2015, 13:26	5.42
J_PC_2410	0.14	83.6	01Apr2015, 13:26	5.42
R_PC_2010	0.14	79.4	01Apr2015, 14:28	5.4
PC_2010	0.125	91.2	01Apr2015, 13:06	5.4
J_PC_2010	0.265	149.9	01Apr2015, 14:00	5.4
R_PC_2000	0.265	129.2	01Apr2015, 14:04	5.15
PC_2100	0.234	74.6	01Apr2015, 15:28	5.71
PC_2000	0.068	23.6	01Apr2015, 14:38	5.03
J_PC_2000	3.268	824.6	01Apr2015, 16:25	5.37
R_PC_1900	3.268	823.7	01Apr2015, 16:38	5.37
PC_1820	0.061	42.3	01Apr2015, 13:24	6.25
PC_1830	0.013	13.2	01Apr2015, 12:44	5.53
J_PC_1830	0.013	13.2	01Apr2015, 12:44	5.53
R_PC_1820	0.013	13.2	01Apr2015, 12:50	5.53
J_PC_1820	0.074	53.4	01Apr2015, 13:19	6.12
R_PC_1810	0.074	53.4	01Apr2015, 13:23	6.12
PC_1810	0.053	50.4	01Apr2015, 12:55	6.25
J_PC_1810	0.127	100.5	01Apr2015, 13:11	6.17
R_PC_1800	0.127	100.5	01Apr2015, 13:12	6.17
PC_1800	0.077	61.1	01Apr2015, 13:07	5.99
PC_1900	0.026	53.3	01Apr2015, 12:18	6.31
J_PC_1800	3.498	897.5	01Apr2015, 16:03	5.42
R_PC_1700	3.498	865.3	01Apr2015, 17:31	5.41
PC_1620	0.106	47.2	01Apr2015, 14:38	6.51
J_PC_1620	0.106	47.2	01Apr2015, 14:38	6.51
R_PC_1610	0.106	47.1	01Apr2015, 14:47	6.51
PC_1610	0.08	81.6	01Apr2015, 12:53	6.51
J_PC_1610	0.186	101.4	01Apr2015, 13:07	6.51
R_PC_1600	0.186	101.3	01Apr2015, 13:12	6.51
PC_1700	0.186	95.5	01Apr2015, 13:40	5.26
PC_1600	0.034	28.6	01Apr2015, 13:03	6.11
Reservoir-Alt2	3.904	509.1	02Apr2015, 01:30	4.52
R_PC_1500	3.904	507.3	02Apr2015, 02:17	4.48
PC_1500	0.129	90.2	01Apr2015, 13:20	6.03
J_PC_1500	4.033	511.5	02Apr2015, 01:56	4.53
R_PC_1400	4.033	509.5	02Apr2015, 02:48	4.48
PC_571	0.27	38.3	01Apr2015, 18:45	3.93
J_PC_571	0.27	38.3	01Apr2015, 18:45	3.93

R_PC_1360	0.27	36.8	01Apr2015, 19:03	3.9
PC_1360	0.083	34.1	01Apr2015, 13:24	3.68
J_PC_1360	0.353	49.8	01Apr2015, 17:43	3.84
R_PC_1350	0.353	49.7	01Apr2015, 18:02	3.83
PC_1370	0.092	29.3	01Apr2015, 14:34	4.53
J_PC_1370	0.092	29.3	01Apr2015, 14:34	4.53
R_PC_1327	0.092	29.3	01Apr2015, 14:39	4.53
PC_1327	0.047	53.1	01Apr2015, 12:35	5.03
J_PC_1327	0.139	59.9	01Apr2015, 12:40	4.69
R_PC_1325	0.139	45.7	01Apr2015, 12:44	4.58
PC_1326	0.106	50.8	01Apr2015, 13:37	4.8
J_PC_1326	0.106	50.8	01Apr2015, 13:37	4.8
R_PC_1324	0.106	50.7	01Apr2015, 13:44	4.8
PC_1325	0.048	19.6	01Apr2015, 13:27	3.76
PC_1324	0.032	20.7	01Apr2015, 13:06	4.78
J_PC_1324	0.325	132.9	01Apr2015, 13:37	4.55
R_PC_1323	0.325	132.9	01Apr2015, 13:37	4.55
PC_1350	0.098	65	01Apr2015, 12:59	4.46
PC_1323	0.027	17.9	01Apr2015, 13:02	4.66
J_PC_1323	0.803	241.7	01Apr2015, 13:34	4.22
R_PC_1321	0.803	223.1	01Apr2015, 13:35	4.18
PC_1321	0.074	43.8	01Apr2015, 13:19	5.05
J_PC_1321	0.877	266.1	01Apr2015, 13:32	4.25
R_PC_1320	0.877	266	01Apr2015, 13:34	4.25
PC_1330	0.137	93.6	01Apr2015, 13:10	5.28
PC_1340	0.102	32.8	01Apr2015, 14:50	4.91
J_PC_1340	0.102	32.8	01Apr2015, 14:50	4.91
R_PC_1330	0.102	25.2	01Apr2015, 18:05	4.9
PC_1320	0.035	43.6	01Apr2015, 12:38	6.11
J_PC_1320	1.151	391.4	01Apr2015, 13:23	4.49
R_PC_1310	1.151	355.8	01Apr2015, 14:15	4.48
PC_1310	0.278	142.6	01Apr2015, 13:51	5.71
J_PC_1310	1.429	495.9	01Apr2015, 14:07	4.72
R_PC_1300	1.429	487.6	01Apr2015, 14:31	4.72
PC_1300	0.135	81.7	01Apr2015, 13:33	5.85
J_PC_L2	1.564	559.9	01Apr2015, 14:26	4.81
PC_1400	0.165	66.7	01Apr2015, 14:13	5.13
J_PC_1300	5.762	737	01Apr2015, 14:40	4.59
R_PC_1200	5.762	729.8	01Apr2015, 15:06	4.58
PC_1200	0.111	52.6	01Apr2015, 13:20	4.09
J_PC_1200	5.873	768.6	01Apr2015, 15:01	4.57
R_PC_1100	5.873	750.2	01Apr2015, 15:45	4.51
PC_1100	0.182	56.1	01Apr2015, 14:58	4.87
PC_1000	0.168	85.8	01Apr2015, 13:21	4.43
J_PC_1000	6.223	860.2	01Apr2015, 15:37	4.52
R_PC_900	6.223	823.7	01Apr2015, 16:36	4.48
PC_900	0.463	244.7	01Apr2015, 13:10	4.1

PC_810	0.208	128.7	01Apr2015, 13:28	5.74
PC_820	0.066	39.4	01Apr2015, 13:20	5.12
J_PC_820	0.066	39.4	01Apr2015, 13:20	5.12
R_PC_810	0.066	31.9	01Apr2015, 14:10	5.01
J_PC_810	0.274	159	01Apr2015, 13:32	5.57
R_PC_800	0.274	158.3	01Apr2015, 13:47	5.57
PC_800	0.16	168.7	01Apr2015, 12:41	5.41
J_PC_800	7.12	1082.9	01Apr2015, 16:02	4.52
R_PC_700	7.12	1062.8	01Apr2015, 16:36	4.51
PC_700	0.154	201.3	01Apr2015, 12:26	4.67
J_PC_700	7.274	1082.9	01Apr2015, 16:33	4.51
R_PC_600	7.274	1082.2	01Apr2015, 16:39	4.51
PC_570	0.416	137.9	01Apr2015, 13:57	3.84
PC_590	0.172	58.7	01Apr2015, 14:10	4.27
J_PC_590	0.172	58.7	01Apr2015, 14:10	4.27
R_PC_580	0.172	57.1	01Apr2015, 15:06	4.26
PC_580	0.124	71.5	01Apr2015, 13:07	4.34
J_PC_580	0.296	108.2	01Apr2015, 14:08	4.29
R_PC_570	0.296	104.2	01Apr2015, 15:19	4.25
J_PC_570	0.712	234	01Apr2015, 14:24	4.01
R_PC_560	0.712	233.7	01Apr2015, 14:36	4.01
PC_560	0.163	86.5	01Apr2015, 13:08	4.02
J_PC_560	0.875	300.6	01Apr2015, 14:12	4.01
R_PC_550	0.875	242.7	01Apr2015, 14:34	4.01
PC_550	0.535	103.4	01Apr2015, 16:55	4.38
J_PC_550	1.41	326.6	01Apr2015, 15:51	4.15
R_PC_540	1.41	279.6	01Apr2015, 16:13	4.16
PC_530	0.064	34.7	01Apr2015, 13:38	5.48
PC_531	0.027	31.1	01Apr2015, 12:35	5.23
J_PC_531	0.027	31.1	01Apr2015, 12:35	5.23
R_PC_530	0.027	31	01Apr2015, 12:40	5.23
PC_540	0.015	10.8	01Apr2015, 13:18	6.08
J_PC_530	1.516	315.1	01Apr2015, 15:56	4.25
R_PC_520	1.516	315	01Apr2015, 16:02	4.25
PC_520	0.029	28.2	01Apr2015, 12:48	5.66
J_PC_520	1.545	323.6	01Apr2015, 15:54	4.28
R_PC_510	1.545	323.5	01Apr2015, 15:56	4.28
PC_510	0.184	109	01Apr2015, 13:16	4.89
J_PC_510	1.729	394.1	01Apr2015, 14:42	4.34
R_PC_500	1.729	391.3	01Apr2015, 15:24	4.34
PC_500	0.216	107.6	01Apr2015, 13:29	4.63
J_PC_L1	1.945	475.8	01Apr2015, 14:48	4.37
PC_600	0.004	4.5	01Apr2015, 12:42	5.83
J_PC_500	9.223	1526	01Apr2015, 16:25	4.48
R_PC_400	9.223	1457.2	01Apr2015, 17:27	4.44
PC_400	0.28	270.7	01Apr2015, 12:32	4.04
J_PC_400	9.503	1486.3	01Apr2015, 17:23	4.43

R_PC_300	9.503	1486.1	01Apr2015, 17:26	4.43
PC_240	0.206	43.1	01Apr2015, 15:14	3.49
PC_250	0.117	25.1	01Apr2015, 14:46	3.2
J_PC_250	0.117	25.1	01Apr2015, 14:46	3.2
R_PC_240	0.117	25	01Apr2015, 14:59	3.2
J_PC_240	0.323	68.1	01Apr2015, 15:08	3.39
R_PC_230	0.323	65.7	01Apr2015, 16:48	3.37
PC_230	0.126	39.9	01Apr2015, 14:23	4.24
J_PC_230	0.449	99.2	01Apr2015, 16:19	3.62
R_PC_220	0.449	87.7	01Apr2015, 17:01	3.59
PC_220	0.273	44.8	01Apr2015, 16:04	3.17
J_PC_220	0.722	131.8	01Apr2015, 16:48	3.43
R_PC_210	0.722	99.8	01Apr2015, 17:31	2.98
PC_210	0.135	46	01Apr2015, 13:46	3.65
J_PC_210	0.857	129.4	01Apr2015, 16:32	3.09
R_PC_200	0.857	129.4	01Apr2015, 16:40	3.09
PC_200	0.099	45.9	01Apr2015, 13:13	3.71
PC_300	0.025	12	01Apr2015, 13:34	4.67
J_PC_200	10.484	1637.3	01Apr2015, 17:21	4.31
R_PC_100	10.484	1486.9	01Apr2015, 19:19	4.23
PC_100	0.129	57.2	01Apr2015, 13:29	4.12
OUT_PC_100	10.613	1505	01Apr2015, 19:15	4.22

Project: Parkers-HMS

Simulation Run: 100YR-ALT2

Start of Run: 01Apr2015, 00:00

Basin Model: Parkers Creek-Alt2

End of Run: 03Apr2015, 00:00

Meteorilgic Model: 100-YR

Compute Time: 16Dec2015, 12:40:34

Control Specifications: Control 1

Hydrologic Element	Drainage Area (MI ²)	Peak Discharge (CFS)	Time of Peak	Volume (IN)
PC_2800	0.293	137.8	01Apr2015, 14:47	7.16
PC_2910	0.097	63	01Apr2015, 13:52	7.3
J_PC_2910	0.097	63	01Apr2015, 13:52	7.3
R_PC_2900	0.097	63	01Apr2015, 13:56	7.3
PC_3100	0.091	72	01Apr2015, 13:26	7.29
J_PC_3100	0.091	72	01Apr2015, 13:26	7.29
R_PC_3000	0.091	65.5	01Apr2015, 13:28	7.2
PC_3000	0.042	26.8	01Apr2015, 13:55	7.3
PC_2900	0.015	12.7	01Apr2015, 13:20	7.32
J_PC_2900	0.245	164.9	01Apr2015, 13:47	7.27
R_PC_2800	0.245	123.3	01Apr2015, 13:54	7.01
J_PC_2800	0.538	255	01Apr2015, 14:36	7.09
R_PC_2700	0.538	210.7	01Apr2015, 14:45	7.03
PC_2700	0.302	139.8	01Apr2015, 14:37	6.7
PC_2620	0.131	88.1	01Apr2015, 13:33	6.48
J_PC_2620	0.131	88.1	01Apr2015, 13:33	6.48
R_PC_2610	0.131	56.3	01Apr2015, 13:47	6.07
PC_2610	0.107	51.7	01Apr2015, 14:13	6.13
J_PC_2700	1.078	454.9	01Apr2015, 14:36	6.73
R_PC_2600	1.078	441.3	01Apr2015, 14:38	6.74
PC_2520	0.299	107.5	01Apr2015, 15:57	7.11
PC_2521	0.271	43.4	01Apr2015, 22:50	5.62
J_PC_2521	0.271	43.4	01Apr2015, 22:50	5.62
R_PC_2520	0.271	43.2	01Apr2015, 23:36	5.54
PC_2530	0.25	87.4	01Apr2015, 16:05	7.09
PC_2540	0.131	36.3	01Apr2015, 17:31	6.92
J_PC_2540	0.131	36.3	01Apr2015, 17:31	6.92
R_PC_2530	0.131	36	01Apr2015, 18:20	6.87
J_PC_2520	0.951	240.4	01Apr2015, 17:14	6.62
R_PC_2510	0.951	240.2	01Apr2015, 17:37	6.61
PC_2510	0.103	96.8	01Apr2015, 12:54	5.98
J_PC_2510	1.054	264.8	01Apr2015, 16:39	6.55
R_PC_2500	1.054	264.6	01Apr2015, 16:49	6.55
PC_2600	0.012	12.6	01Apr2015, 12:56	6.9
PC_2500	0.011	13.2	01Apr2015, 12:37	5.56
J_PC_2500	2.155	675.5	01Apr2015, 15:39	6.64
R_PC_2400	2.155	648.6	01Apr2015, 16:08	6.67
PC_2300	0.325	266.9	01Apr2015, 13:14	6.72

PC_2400	0.081	49.2	01Apr2015, 13:24	5.39
PC_2310	0.056	33.6	01Apr2015, 13:46	6.41
J_PC_2310	0.056	33.6	01Apr2015, 13:46	6.41
R_PC_2300	0.056	26.9	01Apr2015, 16:27	6.21
J_PC_2300	2.617	874	01Apr2015, 14:42	6.62
R_PC_2200	2.617	789.7	01Apr2015, 17:05	6.62
PC_2200	0.084	95.3	01Apr2015, 12:48	6.6
J_PC_2200	2.701	809.9	01Apr2015, 16:54	6.62
R_PC_2100	2.701	805.9	01Apr2015, 17:23	6.61
PC_2410	0.14	103.5	01Apr2015, 13:25	6.68
J_PC_2410	0.14	103.5	01Apr2015, 13:25	6.68
R_PC_2010	0.14	97.9	01Apr2015, 14:30	6.66
PC_2010	0.125	112.8	01Apr2015, 13:05	6.65
J_PC_2010	0.265	183.2	01Apr2015, 14:05	6.65
R_PC_2000	0.265	159	01Apr2015, 14:08	6.4
PC_2100	0.234	91.6	01Apr2015, 15:26	6.99
PC_2000	0.068	29.6	01Apr2015, 14:37	6.25
J_PC_2000	3.268	1011.9	01Apr2015, 16:31	6.62
R_PC_1900	3.268	1010.9	01Apr2015, 16:43	6.61
PC_1820	0.061	51.2	01Apr2015, 13:24	7.56
PC_1830	0.013	16.2	01Apr2015, 12:44	6.79
J_PC_1830	0.013	16.2	01Apr2015, 12:44	6.79
R_PC_1820	0.013	16.2	01Apr2015, 12:49	6.79
J_PC_1820	0.074	64.8	01Apr2015, 13:18	7.42
R_PC_1810	0.074	64.8	01Apr2015, 13:22	7.42
PC_1810	0.053	60.8	01Apr2015, 12:55	7.56
J_PC_1810	0.127	121.7	01Apr2015, 13:10	7.48
R_PC_1800	0.127	121.7	01Apr2015, 13:11	7.48
PC_1800	0.077	74.3	01Apr2015, 13:06	7.29
PC_1900	0.026	64	01Apr2015, 12:18	7.62
J_PC_1800	3.498	1096.4	01Apr2015, 16:10	6.67
R_PC_1700	3.498	1062.8	01Apr2015, 17:28	6.66
PC_1620	0.106	56.8	01Apr2015, 14:37	7.84
J_PC_1620	0.106	56.8	01Apr2015, 14:37	7.84
R_PC_1610	0.106	56.5	01Apr2015, 14:54	7.83
PC_1610	0.08	97.8	01Apr2015, 12:53	7.84
J_PC_1610	0.186	122.3	01Apr2015, 13:06	7.83
R_PC_1600	0.186	122.3	01Apr2015, 13:11	7.83
PC_1700	0.186	118.8	01Apr2015, 13:39	6.51
PC_1600	0.034	34.7	01Apr2015, 13:03	7.42
Reservoir-Alt2	3.904	641.1	02Apr2015, 01:24	5.63
R_PC_1500	3.904	638.4	02Apr2015, 02:12	5.58
PC_1500	0.129	109.7	01Apr2015, 13:19	7.33
J_PC_1500	4.033	643.4	02Apr2015, 01:55	5.64
R_PC_1400	4.033	639.6	02Apr2015, 02:56	5.57
PC_571	0.27	49.1	01Apr2015, 18:37	5
J_PC_571	0.27	49.1	01Apr2015, 18:37	5

R_PC_1360	0.27	47.2	01Apr2015, 18:53	4.97
PC_1360	0.083	44.9	01Apr2015, 13:22	4.76
J_PC_1360	0.353	63.9	01Apr2015, 17:39	4.92
R_PC_1350	0.353	63.8	01Apr2015, 17:56	4.89
PC_1370	0.092	37.3	01Apr2015, 14:32	5.7
J_PC_1370	0.092	37.3	01Apr2015, 14:32	5.7
R_PC_1327	0.092	37.3	01Apr2015, 14:36	5.7
PC_1327	0.047	66.2	01Apr2015, 12:34	6.25
J_PC_1327	0.139	75.6	01Apr2015, 12:39	5.89
R_PC_1325	0.139	57.3	01Apr2015, 12:43	5.67
PC_1326	0.106	64.1	01Apr2015, 13:36	6
J_PC_1326	0.106	64.1	01Apr2015, 13:36	6
R_PC_1324	0.106	64	01Apr2015, 13:42	6
PC_1325	0.048	25.8	01Apr2015, 13:25	4.85
PC_1324	0.032	26.1	01Apr2015, 13:05	5.98
J_PC_1324	0.325	167.5	01Apr2015, 13:35	5.69
R_PC_1323	0.325	167.5	01Apr2015, 13:35	5.69
PC_1350	0.098	82.9	01Apr2015, 12:58	5.62
PC_1323	0.027	22.7	01Apr2015, 13:01	5.85
J_PC_1323	0.803	308.5	01Apr2015, 13:31	5.34
R_PC_1321	0.803	286	01Apr2015, 13:33	5.29
PC_1321	0.074	54.8	01Apr2015, 13:19	6.28
J_PC_1321	0.877	340	01Apr2015, 13:30	5.38
R_PC_1320	0.877	339.8	01Apr2015, 13:33	5.38
PC_1330	0.137	116.2	01Apr2015, 13:09	6.52
PC_1340	0.102	41.2	01Apr2015, 14:47	6.12
J_PC_1340	0.102	41.2	01Apr2015, 14:47	6.12
R_PC_1330	0.102	31.5	01Apr2015, 18:00	6.11
PC_1320	0.035	52.7	01Apr2015, 12:38	7.42
J_PC_1320	1.151	495.1	01Apr2015, 13:22	5.64
R_PC_1310	1.151	448.9	01Apr2015, 14:14	5.64
PC_1310	0.278	175.2	01Apr2015, 13:51	6.99
J_PC_1310	1.429	620.8	01Apr2015, 14:06	5.9
R_PC_1300	1.429	610.5	01Apr2015, 14:30	5.89
PC_1300	0.135	99.9	01Apr2015, 13:32	7.14
J_PC_L2	1.564	698.7	01Apr2015, 14:24	6
PC_1400	0.165	83.4	01Apr2015, 14:11	6.37
J_PC_1300	5.762	921.1	01Apr2015, 14:37	5.71
R_PC_1200	5.762	911.3	01Apr2015, 15:03	5.7
PC_1200	0.111	68.1	01Apr2015, 13:19	5.22
J_PC_1200	5.873	961.2	01Apr2015, 14:58	5.69
R_PC_1100	5.873	943.3	01Apr2015, 15:34	5.62
PC_1100	0.182	70.6	01Apr2015, 14:55	6.08
PC_1000	0.168	109.7	01Apr2015, 13:20	5.6
J_PC_1000	6.223	1084.8	01Apr2015, 15:26	5.64
R_PC_900	6.223	1036.6	01Apr2015, 16:27	5.59
PC_900	0.463	316.7	01Apr2015, 13:09	5.23

PC_810	0.208	157.8	01Apr2015, 13:27	7.02
PC_820	0.066	49.2	01Apr2015, 13:19	6.35
J_PC_820	0.066	49.2	01Apr2015, 13:19	6.35
R_PC_810	0.066	39.5	01Apr2015, 14:12	6.24
J_PC_810	0.274	194.9	01Apr2015, 13:31	6.84
R_PC_800	0.274	194.1	01Apr2015, 13:46	6.83
PC_800	0.16	208.1	01Apr2015, 12:41	6.66
J_PC_800	7.12	1375.7	01Apr2015, 15:45	5.64
R_PC_700	7.12	1346.1	01Apr2015, 16:25	5.63
PC_700	0.154	253.6	01Apr2015, 12:25	5.86
J_PC_700	7.274	1371.7	01Apr2015, 16:21	5.63
R_PC_600	7.274	1370.8	01Apr2015, 16:28	5.63
PC_570	0.416	180.4	01Apr2015, 13:55	4.94
PC_590	0.172	75.5	01Apr2015, 14:08	5.41
J_PC_590	0.172	75.5	01Apr2015, 14:08	5.41
R_PC_580	0.172	72.9	01Apr2015, 15:10	5.4
PC_580	0.124	91.6	01Apr2015, 13:06	5.49
J_PC_580	0.296	135.2	01Apr2015, 14:21	5.44
R_PC_570	0.296	127.8	01Apr2015, 15:49	5.37
J_PC_570	0.712	289	01Apr2015, 14:32	5.12
R_PC_560	0.712	288.8	01Apr2015, 14:43	5.12
PC_560	0.163	112.3	01Apr2015, 13:07	5.14
J_PC_560	0.875	374.3	01Apr2015, 14:08	5.12
R_PC_550	0.875	305.5	01Apr2015, 14:32	5.11
PC_550	0.535	131.5	01Apr2015, 16:49	5.53
J_PC_550	1.41	415.9	01Apr2015, 15:57	5.27
R_PC_540	1.41	362	01Apr2015, 16:22	5.29
PC_530	0.064	42.8	01Apr2015, 13:38	6.74
PC_531	0.027	38.5	01Apr2015, 12:35	6.47
J_PC_531	0.027	38.5	01Apr2015, 12:35	6.47
R_PC_530	0.027	38.3	01Apr2015, 12:39	6.47
PC_540	0.015	13.1	01Apr2015, 13:17	7.38
J_PC_530	1.516	403.9	01Apr2015, 16:03	5.39
R_PC_520	1.516	403.7	01Apr2015, 16:09	5.39
PC_520	0.029	34.6	01Apr2015, 12:48	6.93
J_PC_520	1.545	413.6	01Apr2015, 16:01	5.42
R_PC_510	1.545	413.6	01Apr2015, 16:03	5.42
PC_510	0.184	137.1	01Apr2015, 13:15	6.11
J_PC_510	1.729	499.8	01Apr2015, 14:32	5.49
R_PC_500	1.729	496.1	01Apr2015, 15:24	5.49
PC_500	0.216	136.5	01Apr2015, 13:27	5.82
J_PC_L1	1.945	603.1	01Apr2015, 14:43	5.52
PC_600	0.004	5.4	01Apr2015, 12:41	7.11
J_PC_500	9.223	1940.2	01Apr2015, 16:16	5.61
R_PC_400	9.223	1850.8	01Apr2015, 17:22	5.56
PC_400	0.28	349.6	01Apr2015, 12:32	5.16
J_PC_400	9.503	1887.2	01Apr2015, 17:18	5.55

R_PC_300	9.503	1887	01Apr2015, 17:21	5.55
PC_240	0.206	57.1	01Apr2015, 15:08	4.54
PC_250	0.117	33.7	01Apr2015, 14:41	4.21
J_PC_250	0.117	33.7	01Apr2015, 14:41	4.21
R_PC_240	0.117	33.6	01Apr2015, 14:52	4.21
J_PC_240	0.323	90.6	01Apr2015, 15:03	4.42
R_PC_230	0.323	87.1	01Apr2015, 16:40	4.41
PC_230	0.126	51.3	01Apr2015, 14:21	5.39
J_PC_230	0.449	130.1	01Apr2015, 16:15	4.68
R_PC_220	0.449	115.2	01Apr2015, 16:50	4.66
PC_220	0.273	60	01Apr2015, 15:54	4.18
J_PC_220	0.722	174.3	01Apr2015, 16:38	4.48
R_PC_210	0.722	141.7	01Apr2015, 17:05	4.21
PC_210	0.135	60.7	01Apr2015, 13:44	4.73
J_PC_210	0.857	182	01Apr2015, 16:17	4.29
R_PC_200	0.857	181.9	01Apr2015, 16:33	4.29
PC_200	0.099	60.4	01Apr2015, 13:11	4.8
PC_300	0.025	15.3	01Apr2015, 13:32	5.86
J_PC_200	10.484	2096.4	01Apr2015, 17:15	5.44
R_PC_100	10.484	1908	01Apr2015, 19:11	5.33
PC_100	0.129	74	01Apr2015, 13:27	5.26
OUT_PC_100	10.613	1931.2	01Apr2015, 19:07	5.33

**PRIMARY SYSTEM
EXISTING
CONDITIONS:
HEC-RAS OUTPUT**

Johnsons Mill Run - Existing Conditions

HEC-RAS Plan: EX(R) River: Johnsons Mill Rn Reach: 1

Reach	River Sta	Profile	Q Total	Min Ch El	W.S. Elev	Crit W.S.	E.G. Elev	E.G. Slope	Vel Chnl	Flow Area	Top Width	Froude # Chl
			(cfs)	(ft)	(ft)	(ft)	(ft)	(ft/ft)	(ft/s)	(sq ft)	(ft)	
1	11718	2-YR	349.00	18.11	25.92		26.00	0.001406	2.33	149.75	39.66	0.21
1	11718	10-YR	844.00	18.11	28.82		28.94	0.001377	2.83	354.85	223.58	0.22
1	11718	25-YR	1253.00	18.11	30.07		30.13	0.000808	2.38	1207.71	1467.67	0.17
1	11718	50-YR	1640.00	18.11	30.73		30.76	0.000464	1.94	2396.69	2150.64	0.13
1	11718	100-YR	2086.00	18.11	31.38		31.39	0.000259	1.54	3921.87	2539.53	0.10
1	11121	2-YR	349.00	17.62	25.25		25.31	0.000952	2.03	171.80	42.14	0.18
1	11121	10-YR	844.00	17.62	28.10		28.21	0.001090	2.72	310.48	55.25	0.20
1	11121	25-YR	1253.00	17.62	29.47		29.59	0.000974	2.94	707.18	778.98	0.20
1	11121	50-YR	1640.00	17.62	30.40		30.45	0.000525	2.34	2023.60	2075.44	0.15
1	11121	100-YR	2086.00	17.62	31.21		31.23	0.000276	1.81	4054.97	2733.03	0.11
1	10522	2-YR	349.00	16.72	24.61		24.68	0.001171	2.17	160.49	41.45	0.19
1	10522	10-YR	844.00	16.72	27.35		27.47	0.001405	2.85	296.07	58.72	0.22
1	10522	25-YR	1253.00	16.72	28.68		28.85	0.001592	3.29	382.17	71.67	0.24
1	10522	50-YR	1640.00	16.72	29.73		29.93	0.001638	3.60	464.25	85.61	0.25
1	10522	100-YR	2086.00	16.72	30.62		30.87	0.001780	3.98	550.41	130.40	0.27
1	9912	2-YR	349.00	16.11	23.92		23.99	0.001093	2.12	166.20	46.09	0.19
1	9912	10-YR	844.00	16.11	26.55		26.67	0.001227	2.77	319.22	87.73	0.21
1	9912	25-YR	1253.00	16.11	27.91		28.04	0.001092	3.04	486.57	141.19	0.21
1	9912	50-YR	1640.00	16.11	29.03		29.16	0.000945	3.14	659.86	170.04	0.20
1	9912	100-YR	2086.00	16.11	29.92		30.07	0.000929	3.35	821.84	193.23	0.20
1	9356	2-YR	349.00	16.00	23.52		23.56	0.000542	1.60	217.47	50.88	0.14
1	9356	10-YR	844.00	16.00	26.00		26.08	0.000889	2.30	366.32	72.57	0.18
1	9356	25-YR	1253.00	16.00	27.35		27.46	0.000990	2.64	478.22	97.91	0.20
1	9356	50-YR	1640.00	16.00	28.53		28.65	0.000878	2.82	621.50	143.76	0.19
1	9356	100-YR	2086.00	16.00	29.41		29.56	0.000900	3.09	763.28	177.43	0.20
1	9099	2-YR	349.00	15.89	23.31		23.37	0.001098	2.03	172.27	48.18	0.19
1	9099	10-YR	844.00	15.89	25.69		25.81	0.001247	2.76	309.66	68.66	0.21
1	9099	25-YR	1253.00	15.89	27.01		27.17	0.001265	3.23	408.71	82.25	0.22
1	9099	50-YR	1640.00	15.89	28.19		28.38	0.001197	3.52	513.69	94.82	0.22
1	9099	100-YR	2086.00	15.89	29.03		29.27	0.001336	3.99	598.83	108.69	0.24
1	9010	2-YR	349.00	16.44	23.25	19.48	23.29	0.000570	1.51	231.73	63.47	0.14
1	9010	10-YR	844.00	16.44	25.64	20.76	25.70	0.000738	2.07	408.17	102.80	0.17

HEC-RAS Plan: EX(R) River: Johnsons Mill Rn Reach: 1 (Continued)

Reach	River Sta	Profile	Q Total	Min Ch El	W.S. Elev	Crit W.S.	E.G. Elev	E.G. Slope	Vel Chnl	Flow Area	Top Width	Froude # Chl
			(cfs)	(ft)	(ft)	(ft)	(ft)	(ft/ft)	(ft/s)	(sq ft)	(ft)	
1	9010	25-YR	1253.00	16.44	26.96	21.52	27.05	0.000726	2.41	523.21	128.38	0.17
1	9010	50-YR	1640.00	16.44	28.16	22.13	28.26	0.000662	2.44	760.79	221.36	0.17
1	9010	100-YR	2086.00	16.44	29.01	22.74	29.12	0.000681	2.68	1013.37	382.39	0.17
1	8988		Bridge									
1	8963	2-YR	349.00	16.44	23.06	20.35	23.18	0.002336	2.76	126.25	38.74	0.27
1	8963	10-YR	844.00	16.44	25.36	22.01	25.56	0.002938	3.56	237.15	59.79	0.31
1	8963	25-YR	1253.00	16.44	26.50	22.97	26.75	0.003324	4.02	312.06	72.40	0.34
1	8963	50-YR	1640.00	16.44	27.40	23.73	27.67	0.003067	4.22	456.30	229.34	0.34
1	8963	100-YR	2086.00	16.44	28.36	24.49	28.61	0.002401	4.20	736.29	419.78	0.31
1	8867	2-YR	349.00	16.50	22.98		23.02	0.000775	1.64	212.41	64.44	0.16
1	8867	10-YR	844.00	16.50	25.29		25.36	0.000865	2.14	399.08	102.34	0.18
1	8867	25-YR	1253.00	16.50	26.43		26.53	0.000851	2.47	582.17	188.55	0.18
1	8867	50-YR	1640.00	16.50	27.34		27.45	0.000819	2.68	770.19	223.12	0.18
1	8867	100-YR	2086.00	16.50	28.31		28.42	0.000766	2.84	999.76	254.35	0.18
1	8528	2-YR	349.00	15.68	22.68		22.73	0.000903	1.85	189.40	55.83	0.17
1	8528	10-YR	844.00	15.68	24.94		25.04	0.000978	2.59	401.17	140.85	0.19
1	8528	25-YR	1253.00	15.68	26.06		26.20	0.001064	3.06	569.97	158.67	0.21
1	8528	50-YR	1640.00	15.68	26.96		27.12	0.001114	3.40	717.83	171.38	0.22
1	8528	100-YR	2086.00	15.68	27.91		28.10	0.001135	3.71	889.25	190.71	0.22
1	8203	2-YR	349.00	15.50	22.26		22.34	0.001653	2.34	149.43	46.16	0.23
1	8203	10-YR	844.00	15.50	24.43		24.58	0.002153	3.17	271.93	102.07	0.27
1	8203	25-YR	1253.00	15.50	25.53		25.72	0.002056	3.62	389.84	112.85	0.28
1	8203	50-YR	1640.00	15.50	26.41		26.64	0.001978	3.94	493.65	121.56	0.28
1	8203	100-YR	2086.00	15.50	27.37		27.62	0.001857	4.21	615.19	132.48	0.28
1	7850	2-YR	349.00	14.93	21.96		22.00	0.000596	1.54	226.75	62.01	0.14
1	7850	10-YR	844.00	14.93	24.03		24.11	0.000858	2.28	371.93	78.96	0.18
1	7850	25-YR	1253.00	14.93	25.10		25.21	0.000979	2.77	476.60	117.15	0.20
1	7850	50-YR	1640.00	14.93	25.97		26.12	0.001036	3.11	588.78	137.04	0.21
1	7850	100-YR	2086.00	14.93	26.94		27.11	0.001041	3.41	738.95	180.84	0.21
1	7791	2-YR	349.00	14.40	21.85	18.46	21.93	0.001706	2.30	151.55	48.64	0.23
1	7791	10-YR	844.00	14.40	23.86	20.19	24.01	0.002228	3.06	278.49	78.26	0.27

HEC-RAS Plan: EX(R) River: Johnsons Mill Rn Reach: 1 (Continued)

Reach	River Sta	Profile	Q Total	Min Ch El	W.S. Elev	Crit W.S.	E.G. Elev	E.G. Slope	Vel Chnl	Flow Area	Top Width	Froude # Chl
			(cfs)	(ft)	(ft)	(ft)	(ft)	(ft/ft)	(ft/s)	(sq ft)	(ft)	
1	7791	25-YR	1253.00	14.40	24.92	21.29	25.11	0.002361	3.51	368.65	105.96	0.29
1	7791	50-YR	1640.00	14.40	25.78	22.07	26.01	0.002225	3.83	451.48	139.79	0.29
1	7791	100-YR	2086.00	14.40	26.75	22.76	27.00	0.002048	4.10	547.58	189.97	0.29
1	7754		Bridge									
1	7715	2-YR	349.00	14.97	21.52	19.17	21.68	0.004025	3.21	108.68	39.72	0.34
1	7715	10-YR	844.00	14.97	23.39	21.06	23.66	0.004982	4.21	200.40	57.77	0.40
1	7715	25-YR	1253.00	14.97	24.32	22.02	24.69	0.005148	4.90	258.29	68.00	0.42
1	7715	50-YR	1640.00	14.97	25.08	22.69	25.53	0.005054	5.41	315.33	125.22	0.43
1	7715	100-YR	2086.00	14.97	25.94	23.35	26.45	0.004707	5.81	389.31	196.30	0.42
1	7526	2-YR	349.00	14.79	21.00		21.09	0.002246	2.47	141.47	51.56	0.26
1	7526	10-YR	844.00	14.79	22.87		23.03	0.002067	3.27	321.16	120.35	0.27
1	7526	25-YR	1253.00	14.79	23.80		24.00	0.002213	3.83	437.86	131.24	0.29
1	7526	50-YR	1640.00	14.79	24.59		24.83	0.002230	4.22	544.36	138.81	0.30
1	7526	100-YR	2086.00	14.79	25.50		25.77	0.002107	4.49	675.59	147.60	0.30
1	7261	2-YR	349.00	14.60	20.67		20.72	0.000888	1.76	203.03	71.05	0.17
1	7261	10-YR	844.00	14.60	22.48		22.58	0.001340	2.57	374.41	118.87	0.22
1	7261	25-YR	1253.00	14.60	23.36		23.50	0.001547	3.07	487.61	139.24	0.24
1	7261	50-YR	1640.00	14.60	24.16		24.32	0.001546	3.39	607.05	158.66	0.25
1	7261	100-YR	2086.00	14.60	25.11		25.29	0.001417	3.59	766.21	174.01	0.24
1	6926	2-YR	349.00	14.46	20.25		20.32	0.001676	2.17	161.09	58.55	0.23
1	6926	10-YR	844.00	14.46	21.93		22.05	0.001857	2.80	352.48	133.58	0.25
1	6926	25-YR	1253.00	14.46	22.75		22.90	0.001982	3.29	466.79	145.93	0.27
1	6926	50-YR	1640.00	14.46	23.57		23.74	0.001840	3.54	591.45	158.23	0.27
1	6926	100-YR	2086.00	14.46	24.61		24.78	0.001540	3.64	763.70	173.81	0.25
1	6392	2-YR	349.00	14.13	18.83		18.92	0.004571	2.46	141.88	69.79	0.30
1	6392	10-YR	844.00	14.13	20.61		20.70	0.003563	2.40	358.02	181.45	0.28
1	6392	25-YR	1253.00	14.13	21.72		21.81	0.002018	2.34	611.85	252.10	0.22
1	6392	50-YR	1640.00	14.13	22.82		22.89	0.001283	2.24	913.07	298.62	0.18
1	6392	100-YR	2086.00	14.13	24.08		24.15	0.000850	2.15	1340.40	384.71	0.16
1	6053	2-YR	349.00	13.00	18.78		18.79	0.000107	0.55	634.17	178.33	0.05
1	6053	10-YR	844.00	13.00	20.51		20.52	0.000162	0.88	1101.34	399.71	0.07

HEC-RAS Plan: EX(R) River: Johnsons Mill Rn Reach: 1 (Continued)

Reach	River Sta	Profile	Q Total	Min Ch El	W.S. Elev	Crit W.S.	E.G. Elev	E.G. Slope	Vel Chnl	Flow Area	Top Width	Froude # Chl
			(cfs)	(ft)	(ft)	(ft)	(ft)	(ft/ft)	(ft/s)	(sq ft)	(ft)	
1	6053	25-YR	1253.00	13.00	21.63		21.65	0.000172	1.03	1620.03	503.85	0.07
1	6053	50-YR	1640.00	13.00	22.74		22.76	0.000154	1.08	2204.32	548.42	0.07
1	6053	100-YR	2086.00	13.00	24.02		24.04	0.000131	1.11	2951.37	626.51	0.07
1	5427	2-YR	562.00	12.46	18.59		18.61	0.000687	1.40	535.41	206.58	0.13
1	5427	10-YR	1276.00	12.46	20.23		20.28	0.000855	2.00	934.67	277.67	0.15
1	5427	25-YR	1850.00	12.46	21.34		21.40	0.000853	2.27	1260.42	309.06	0.16
1	5427	50-YR	2393.00	12.46	22.48		22.54	0.000743	2.37	1642.99	378.32	0.15
1	5427	100-YR	3052.00	12.46	23.79		23.85	0.000625	2.42	2266.57	679.45	0.14
1	4869	2-YR	562.00	11.07	17.82		17.90	0.003071	2.26	263.04	138.68	0.26
1	4869	10-YR	1276.00	11.07	19.36		19.49	0.002704	2.95	509.14	175.92	0.26
1	4869	25-YR	1850.00	11.07	20.52		20.66	0.002214	3.16	725.85	197.59	0.25
1	4869	50-YR	2393.00	11.07	21.81		21.94	0.001605	3.13	994.05	218.71	0.22
1	4869	100-YR	3052.00	11.07	23.24		23.36	0.001226	3.13	1323.78	242.40	0.20
1	4126	2-YR	562.00	10.60	16.31		16.38	0.001468	2.13	334.21	184.25	0.22
1	4126	10-YR	1276.00	10.60	18.06		18.15	0.001273	2.70	681.65	211.90	0.22
1	4126	25-YR	1850.00	10.60	19.53		19.62	0.000944	2.78	1006.50	229.94	0.20
1	4126	50-YR	2393.00	10.60	21.11		21.20	0.000663	2.72	1386.00	249.21	0.17
1	4126	100-YR	3052.00	10.60	22.69		22.78	0.000539	2.77	1796.34	273.53	0.16
1	3787	2-YR	562.00	10.50	16.01		16.05	0.000638	1.72	401.80	134.51	0.15
1	3787	10-YR	1276.00	10.50	17.69		17.78	0.000934	2.63	647.63	159.55	0.19
1	3787	25-YR	1850.00	10.50	19.21		19.32	0.000821	2.88	909.62	183.63	0.19
1	3787	50-YR	2393.00	10.50	20.86		20.97	0.000641	2.93	1244.39	225.09	0.17
1	3787	100-YR	3052.00	10.50	22.48		22.59	0.000546	3.02	1638.28	261.94	0.16
1	3562	2-YR	562.00	10.20	15.84		15.87	0.000892	1.55	559.42	272.25	0.15
1	3562	10-YR	1276.00	10.20	17.49		17.54	0.000940	2.06	1054.66	320.27	0.16
1	3562	25-YR	1850.00	10.20	19.07		19.11	0.000661	2.07	1578.55	342.11	0.14
1	3562	50-YR	2393.00	10.20	20.77		20.81	0.000448	1.99	2178.01	360.85	0.12
1	3562	100-YR	3052.00	10.20	22.41		22.45	0.000364	2.02	2783.75	379.90	0.11
1	3307	2-YR	566.00	9.95	15.72		15.73	0.000326	1.10	599.88	183.39	0.09
1	3307	10-YR	1281.00	9.95	17.31		17.35	0.000524	1.71	916.53	213.75	0.12
1	3307	25-YR	1859.00	9.95	18.93		18.97	0.000439	1.84	1280.63	236.09	0.12
1	3307	50-YR	2391.00	9.95	20.67		20.71	0.000328	1.83	1713.19	261.67	0.11

HEC-RAS Plan: EX(R) River: Johnsons Mill Rn Reach: 1 (Continued)

Reach	River Sta	Profile	Q Total	Min Ch El	W.S. Elev	Crit W.S.	E.G. Elev	E.G. Slope	Vel Chnl	Flow Area	Top Width	Froude # Chl
			(cfs)	(ft)	(ft)	(ft)	(ft)	(ft/ft)	(ft/s)	(sq ft)	(ft)	
1	3307	100-YR	3062.00	9.95	22.32		22.36	0.000286	1.90	2167.76	290.07	0.10
1	3227	2-YR	566.00	9.16	15.58	12.79	15.66	0.001690	2.30	246.32	81.75	0.23
1	3227	10-YR	1281.00	9.16	17.05	14.20	17.23	0.002690	3.36	380.91	101.19	0.31
1	3227	25-YR	1859.00	9.16	18.70	14.97	18.88	0.001816	3.31	561.69	185.54	0.26
1	3227	50-YR	2391.00	9.16	20.48	15.55	20.64	0.001075	3.13	764.93	277.02	0.21
1	3227	100-YR	3062.00	9.16	22.20	16.17	22.31	0.000658	2.80	1512.97	330.36	0.17
1	3184		Bridge									
1	3128	2-YR	566.00	9.73	14.93	13.49	15.17	0.006491	3.88	145.70	60.19	0.44
1	3128	10-YR	1281.00	9.73	16.37	14.93	16.79	0.008022	5.18	248.91	87.44	0.51
1	3128	25-YR	1859.00	9.73	17.17	15.72	17.72	0.007881	5.96	323.14	112.80	0.53
1	3128	50-YR	2391.00	9.73	17.82	16.29	18.48	0.007764	6.55	384.68	145.22	0.54
1	3128	100-YR	3062.00	9.73	18.54	16.88	19.33	0.007717	7.19	453.49	227.92	0.55
1	3030	2-YR	566.00	9.14	14.23		14.43	0.008366	3.63	155.72	67.14	0.42
1	3030	10-YR	1281.00	9.14	15.41		15.84	0.011496	5.31	244.08	82.89	0.52
1	3030	25-YR	1859.00	9.14	16.19		16.78	0.011579	6.16	313.55	93.82	0.54
1	3030	50-YR	2391.00	9.14	16.84		17.54	0.011526	6.79	376.67	103.59	0.55
1	3030	100-YR	3062.00	9.14	17.55		18.40	0.011483	7.46	456.24	117.72	0.57
1	2561	2-YR	566.00	8.01	12.88		12.92	0.001609	1.60	455.34	318.47	0.19
1	2561	10-YR	1281.00	8.01	14.54		14.58	0.001020	1.82	1045.71	370.41	0.16
1	2561	25-YR	1859.00	8.01	15.47		15.52	0.000960	2.04	1397.34	383.47	0.16
1	2561	50-YR	2391.00	8.01	16.22		16.28	0.000933	2.21	1686.96	394.17	0.16
1	2561	100-YR	3062.00	8.01	17.03		17.10	0.000924	2.40	2013.48	405.59	0.17
1	2076	2-YR	566.00	7.09	12.04	9.46	12.12	0.001756	2.32	344.76	177.82	0.21
1	2076	10-YR	1281.00	7.09	13.83	10.84	13.94	0.001856	3.09	690.91	208.18	0.23
1	2076	25-YR	1859.00	7.09	14.71	11.51	14.87	0.002145	3.66	880.88	221.60	0.25
1	2076	50-YR	2391.00	7.09	15.42	12.12	15.61	0.002317	4.07	1041.79	230.71	0.27
1	2076	100-YR	3062.00	7.09	16.19	12.62	16.41	0.002514	4.54	1222.74	240.25	0.28
1	1568	2-YR	566.00	6.17	8.59	8.59	9.48	0.052076	7.57	74.75	42.23	1.00
1	1568	10-YR	1281.00	6.17	10.02	10.02	11.22	0.042532	8.83	150.77	90.28	0.96
1	1568	25-YR	1859.00	6.17	10.96	10.96	12.04	0.028600	8.64	295.41	189.71	0.83
1	1568	50-YR	2391.00	6.17	11.41	11.41	12.60	0.028144	9.32	383.18	199.36	0.84

HEC-RAS Plan: EX(R) River: Johnsons Mill Rn Reach: 1 (Continued)

Reach	River Sta	Profile	Q Total	Min Ch El	W.S. Elev	Crit W.S.	E.G. Elev	E.G. Slope	Vel Chnl	Flow Area	Top Width	Froude # Chl
			(cfs)	(ft)	(ft)	(ft)	(ft)	(ft/ft)	(ft/s)	(sq ft)	(ft)	
1	1568	100-YR	3062.00	6.17	11.91	11.91	13.22	0.027577	10.01	486.15	219.67	0.85
1	271	2-YR	566.00	1.92	6.05	3.63	6.07	0.000500	1.29	457.53	165.54	0.13
1	271	10-YR	1283.00	1.92	7.96	4.28	8.00	0.000501	1.78	895.48	607.68	0.14
1	271	25-YR	1860.00	1.92	8.89	4.69	8.94	0.000500	1.99	1751.33	1117.40	0.14
1	271	50-YR	2393.00	1.92	9.51	5.02	9.57	0.000500	2.13	2552.47	1407.17	0.15
1	271	100-YR	3061.00	1.92	10.12	5.38	10.18	0.000500	2.25	3431.05	1475.51	0.15

Parkers Creek - Existing Conditions

HEC-RAS Plan: PC-EX(R) River: Parkers Creek Reach: 1

Reach	River Sta	Profile	Q Total (cfs)	Min Ch El (ft)	W.S. Elev (ft)	Crit W.S. (ft)	E.G. Elev (ft)	E.G. Slope (ft/ft)	Vel Chnl (ft/s)	Flow Area (sq ft)	Top Width (ft)	Froude # Chl
1	29594	2-YR	175.00	22.50	26.40		26.44	0.001136	1.83	141.76	115.61	0.24
1	29594	10-YR	382.00	22.50	27.84		27.87	0.000643	1.56	373.65	209.40	0.19
1	29594	25-YR	549.00	22.50	28.39		28.42	0.000617	1.73	529.64	387.59	0.19
1	29594	50-YR	705.00	22.50	28.68		28.71	0.000756	1.91	656.11	518.01	0.21
1	29594	100-YR	874.00	22.50	29.89		29.90	0.000204	1.27	1883.69	1391.46	0.12
1	29005	2-YR	175.00	21.00	25.81	23.62	25.86	0.000870	1.85	111.66	86.76	0.22
1	29005	10-YR	382.00	21.00	27.51	24.58	27.54	0.000503	1.61	428.34	1378.82	0.17
1	29005	25-YR	549.00	21.00	28.12	25.19	28.14	0.000378	1.52	829.78	1902.10	0.15
1	29005	50-YR	705.00	21.00	28.69	25.78	28.69	0.000007	0.23	3850.85	2169.13	0.02
1	29005	100-YR	874.00	21.00	29.89	26.18	29.89	0.000003	0.17	6570.74	2318.06	0.01
1	28619	2-YR	175.00	20.00	25.36		25.44	0.001366	2.25	77.76	29.01	0.24
1	28619	10-YR	382.00	20.00	27.24		27.29	0.000824	1.98	509.42	703.65	0.20
1	28619	25-YR	549.00	20.00	27.96		27.99	0.000441	1.63	1083.73	920.56	0.15
1	28619	50-YR	705.00	20.00	28.67		28.68	0.000244	1.33	1824.19	1158.50	0.11
1	28619	100-YR	874.00	20.00	29.88		29.89	0.000089	0.92	3391.24	1455.95	0.07
1	28069	2-YR	175.00	19.52	24.92		24.97	0.000563	1.76	99.19	25.57	0.16
1	28069	10-YR	382.00	19.52	26.70		26.78	0.001027	2.40	233.08	346.05	0.22
1	28069	25-YR	549.00	19.52	27.70		27.73	0.000467	1.75	1011.89	952.94	0.15
1	28069	50-YR	705.00	19.52	28.54		28.56	0.000206	1.31	1871.79	1082.97	0.10
1	28069	100-YR	874.00	19.52	29.84		29.84	0.000071	0.89	3445.14	1305.19	0.06
1	27993	2-YR	175.00	20.00	24.91	22.04	24.93	0.000223	0.97	180.65	89.25	0.10
1	27993	10-YR	382.00	20.00	26.70	22.79	26.72	0.000203	1.29	296.47	838.68	0.11
1	27993	25-YR	549.00	20.00	27.67	23.24	27.71	0.000220	1.52	360.01	974.51	0.11
1	27993	50-YR	705.00	20.00	28.48	23.58	28.53	0.000230	1.71	412.73	1072.20	0.12
1	27993	100-YR	874.00	20.00	29.77	23.89	29.82	0.000191	1.76	496.44	1281.88	0.11
1	27925		Culvert									
1	27864	2-YR	175.00	20.00	24.88	22.13	24.90	0.000246	1.16	150.86	64.39	0.12
1	27864	10-YR	382.00	20.00	26.60	22.91	26.63	0.000243	1.58	241.68	319.01	0.13
1	27864	25-YR	549.00	20.00	27.49	23.37	27.55	0.000276	1.90	289.32	717.74	0.14
1	27864	50-YR	705.00	20.00	28.18	23.72	28.26	0.000306	2.16	325.86	818.81	0.15
1	27864	100-YR	874.00	20.00	29.29	24.07	29.37	0.000271	2.27	384.40	905.59	0.15

HEC-RAS Plan: PC-EX(R) River: Parkers Creek Reach: 1 (Continued)

Reach	River Sta	Profile	Q Total	Min Ch El	W.S. Elev	Crit W.S.	E.G. Elev	E.G. Slope	Vel Chnl	Flow Area	Top Width	Froude # Chl
			(cfs)	(ft)	(ft)	(ft)	(ft)	(ft/ft)	(ft/s)	(sq ft)	(ft)	
1	27742	2-YR	231.00	20.00	24.79		24.84	0.000784	1.80	128.31	55.50	0.21
1	27742	10-YR	469.00	20.00	26.57		26.59	0.000358	1.27	552.81	677.15	0.14
1	27742	25-YR	661.00	20.00	27.50		27.50	0.000120	0.91	1291.46	848.98	0.09
1	27742	50-YR	825.00	20.00	28.20		28.21	0.000067	0.77	1898.03	869.10	0.07
1	27742	100-YR	1012.00	20.00	29.32		29.32	0.000030	0.61	2882.12	892.80	0.05
1	27405	2-YR	231.00	20.00	24.71	21.03	24.73	0.000139	1.09	213.48	56.36	0.09
1	27405	10-YR	469.00	20.00	26.47	21.64	26.50	0.000174	1.54	316.02	69.69	0.11
1	27405	25-YR	661.00	20.00	27.39	22.05	27.44	0.000210	1.86	371.25	115.63	0.13
1	27405	50-YR	825.00	20.00	28.09	22.37	28.15	0.000234	2.10	413.13	125.49	0.13
1	27405	100-YR	1012.00	20.00	29.21	22.71	29.28	0.000218	2.22	480.36	142.31	0.13
1	26948		Culvert									
1	26312	2-YR	231.00	19.00	24.54	20.29	24.55	0.000166	1.04	227.71	62.16	0.08
1	26312	10-YR	469.00	19.00	26.08	20.91	26.12	0.000259	1.56	327.89	740.91	0.11
1	26312	25-YR	661.00	19.00	26.78	21.33	26.84	0.000354	1.96	373.62	1003.66	0.13
1	26312	50-YR	825.00	19.00	27.28	21.66	27.36	0.000433	2.26	405.96	1060.70	0.14
1	26312	100-YR	1012.00	19.00	27.79	22.00	27.89	0.000515	2.58	439.33	1112.00	0.16
1	26272		Bridge									
1	26221	2-YR	231.00	19.00	24.50	20.45	24.52	0.000162	1.01	228.91	74.04	0.09
1	26221	10-YR	469.00	19.00	25.98	21.21	26.02	0.000225	1.47	321.77	284.56	0.11
1	26221	25-YR	661.00	19.00	26.60	21.70	26.65	0.000308	1.85	361.73	615.93	0.13
1	26221	50-YR	825.00	19.00	27.00	22.06	27.07	0.000384	2.16	387.62	801.12	0.15
1	26221	100-YR	1012.00	19.00	27.41	22.42	27.46	0.000291	1.96	1356.94	966.35	0.13
1	26062	2-YR	261.00	18.80	24.44		24.48	0.000366	1.55	168.82	40.32	0.13
1	26062	10-YR	517.00	18.80	25.87		25.95	0.000639	2.19	298.80	324.82	0.18
1	26062	25-YR	728.00	18.80	26.48		26.56	0.000912	2.45	595.18	646.11	0.21
1	26062	50-YR	898.00	18.80	26.90		26.98	0.000835	2.51	905.51	808.15	0.21
1	26062	100-YR	1096.00	18.80	27.31		27.38	0.000762	2.53	1255.60	897.42	0.20
1	25800	2-YR	261.00	18.80	24.36		24.39	0.000304	1.39	231.39	160.46	0.12
1	25800	10-YR	517.00	18.80	25.80		25.83	0.000295	1.58	950.46	863.11	0.13
1	25800	25-YR	728.00	18.80	26.40		26.43	0.000282	1.67	1532.17	1022.68	0.13
1	25800	50-YR	898.00	18.80	26.83		26.85	0.000263	1.70	1984.75	1091.17	0.12

HEC-RAS Plan: PC-EX(R) River: Parkers Creek Reach: 1 (Continued)

Reach	River Sta	Profile	Q Total	Min Ch El	W.S. Elev	Crit W.S.	E.G. Elev	E.G. Slope	Vel Chnl	Flow Area	Top Width	Froude # Chl
			(cfs)	(ft)	(ft)	(ft)	(ft)	(ft/ft)	(ft/s)	(sq ft)	(ft)	
1	25800	100-YR	1096.00	18.80	27.24		27.26	0.000256	1.75	2451.94	1180.50	0.12
1	25404	2-YR	261.00	18.80	24.24		24.27	0.000280	1.34	232.17	223.67	0.12
1	25404	10-YR	517.00	18.80	25.69		25.72	0.000236	1.45	1181.34	1093.57	0.11
1	25404	25-YR	728.00	18.80	26.30		26.32	0.000236	1.42	1870.69	1187.31	0.11
1	25404	50-YR	898.00	18.80	26.73		26.75	0.000250	1.27	2401.02	1258.67	0.11
1	25404	100-YR	1096.00	18.80	27.15		27.16	0.000221	1.28	2937.89	1307.48	0.11
1	25124	2-YR	261.00	18.77	24.09		24.15	0.000675	2.04	164.36	269.71	0.18
1	25124	10-YR	517.00	18.77	25.61		25.64	0.000351	1.71	1289.89	1075.15	0.13
1	25124	25-YR	728.00	18.77	26.23		26.25	0.000290	1.67	1988.30	1209.70	0.12
1	25124	50-YR	898.00	18.77	26.66		26.67	0.000253	1.64	2525.09	1273.03	0.12
1	25124	100-YR	1096.00	18.77	27.08		27.10	0.000231	1.64	3082.18	1334.24	0.11
1	24526	2-YR	261.00	18.00	23.66		23.71	0.000781	1.82	212.02	175.57	0.19
1	24526	10-YR	517.00	18.00	25.42		25.43	0.000318	1.39	912.34	552.03	0.13
1	24526	25-YR	728.00	18.00	26.04		26.06	0.000320	1.49	1295.02	706.37	0.13
1	24526	50-YR	898.00	18.00	26.49		26.51	0.000287	1.51	1625.41	751.90	0.12
1	24526	100-YR	1096.00	18.00	26.93		26.95	0.000269	1.55	1961.52	783.96	0.12
1	24050	2-YR	261.00	17.30	23.22		23.28	0.001015	2.02	129.13	46.95	0.21
1	24050	10-YR	517.00	17.30	25.26		25.28	0.000311	1.37	831.48	504.23	0.13
1	24050	25-YR	728.00	17.30	25.90		25.92	0.000270	1.42	1185.00	606.35	0.12
1	24050	50-YR	898.00	17.30	26.37		26.38	0.000243	1.44	1475.90	642.24	0.12
1	24050	100-YR	1096.00	17.30	26.81		26.83	0.000233	1.50	1767.91	673.47	0.12
1	23635	2-YR	294.00	17.10	23.07		23.10	0.000247	1.29	228.43	56.55	0.11
1	23635	10-YR	571.00	17.10	25.16		25.18	0.000195	1.28	893.29	555.95	0.10
1	23635	25-YR	790.00	17.10	25.80		25.82	0.000205	1.42	1288.80	660.39	0.11
1	23635	50-YR	985.00	17.10	26.26		26.29	0.000209	1.52	1606.50	702.62	0.11
1	23635	100-YR	1209.00	17.10	26.70		26.73	0.000218	1.63	1925.43	742.78	0.11
1	23112	2-YR	294.00	17.05	22.65		22.80	0.002140	3.08	95.56	24.61	0.28
1	23112	10-YR	571.00	17.05	24.89		24.97	0.001073	2.69	590.85	493.42	0.20
1	23112	25-YR	790.00	17.05	25.55		25.62	0.000922	2.64	944.07	548.60	0.19
1	23112	50-YR	985.00	17.05	26.04		26.09	0.000822	2.63	1212.48	564.00	0.18
1	23112	100-YR	1209.00	17.05	26.48		26.53	0.000784	2.68	1468.18	614.47	0.18

HEC-RAS Plan: PC-EX(R) River: Parkers Creek Reach: 1 (Continued)

Reach	River Sta	Profile	Q Total (cfs)	Min Ch El (ft)	W.S. Elev (ft)	Crit W.S. (ft)	E.G. Elev (ft)	E.G. Slope (ft/ft)	Vel Chnl (ft/s)	Flow Area (sq ft)	Top Width (ft)	Froude # Chl
1	22625	2-YR	294.00	15.00	21.63		21.76	0.002098	2.86	102.77	31.00	0.28
1	22625	10-YR	571.00	15.00	24.27		24.39	0.001318	2.82	206.41	54.64	0.23
1	22625	25-YR	790.00	15.00	24.82		25.01	0.001699	3.46	240.74	68.30	0.27
1	22625	50-YR	985.00	15.00	25.24		25.48	0.002000	3.95	286.15	144.82	0.30
1	22625	100-YR	1209.00	15.00	25.58		25.89	0.002402	4.51	348.01	216.32	0.33
1	22188	2-YR	294.00	14.22	21.43	16.05	21.46	0.000293	1.44	204.21	36.86	0.11
1	22188	10-YR	571.00	14.22	24.05	17.01	24.10	0.000347	1.85	309.17	173.23	0.12
1	22188	25-YR	790.00	14.22	24.50	17.64	24.59	0.000543	2.40	331.04	203.42	0.15
1	22188	50-YR	985.00	14.22	24.82	18.13	24.94	0.000737	2.88	348.03	228.73	0.18
1	22188	100-YR	1209.00	14.22	25.15	18.66	25.28	0.000778	3.04	650.66	256.35	0.19
1	21825	2-YR	294.00	13.36	21.34		21.37	0.000209	1.37	214.36	34.37	0.10
1	21825	10-YR	571.00	13.36	23.93		23.98	0.000329	1.81	315.04	48.10	0.12
1	21825	25-YR	790.00	13.36	24.30		24.39	0.000585	2.37	334.01	53.84	0.17
1	21825	50-YR	985.00	13.36	24.53		24.65	0.000862	2.84	346.71	57.36	0.20
1	21825	100-YR	1209.00	13.36	24.75		24.92	0.001225	3.36	359.72	60.76	0.24
1	21432	2-YR	305.00	12.86	21.29		21.31	0.000105	1.04	292.51	49.64	0.08
1	21432	10-YR	586.00	12.86	23.87		23.89	0.000134	1.33	550.44	422.30	0.09
1	21432	25-YR	807.00	12.86	24.20		24.25	0.000208	1.70	709.86	497.57	0.11
1	21432	50-YR	1012.00	12.86	24.39		24.45	0.000291	2.04	805.52	513.68	0.13
1	21432	100-YR	1242.00	12.86	24.57		24.65	0.000393	2.40	895.38	527.00	0.15
1	21390	2-YR	305.00	12.86	21.22	17.03	21.28	0.000561	2.10	145.39	35.85	0.17
1	21390	10-YR	586.00	12.86	23.75	18.27	23.86	0.000509	2.65	221.46	529.81	0.17
1	21390	25-YR	807.00	12.86	24.20	19.01	24.23	0.000314	1.66	1166.15	548.40	0.13
1	21390	50-YR	1012.00	12.86	24.39	19.58	24.43	0.000406	1.94	1271.60	563.49	0.15
1	21390	100-YR	1242.00	12.86	24.56	20.12	24.61	0.000515	2.23	1369.63	568.23	0.17
1	21349		Culvert									
1	21300	2-YR	305.00	12.86	20.86	16.12	20.90	0.000298	1.67	182.37	70.18	0.12
1	21300	10-YR	586.00	12.86	22.36	17.04	22.39	0.000372	1.55	423.08	306.37	0.13
1	21300	25-YR	807.00	12.86	22.90	17.60	22.95	0.000446	1.82	616.68	381.53	0.14
1	21300	50-YR	1012.00	12.86	23.32	18.06	23.38	0.000498	2.03	787.62	455.21	0.15
1	21300	100-YR	1242.00	12.86	23.70	18.54	23.77	0.000545	2.22	965.20	475.40	0.16

HEC-RAS Plan: PC-EX(R) River: Parkers Creek Reach: 1 (Continued)

Reach	River Sta	Profile	Q Total	Min Ch El	W.S. Elev	Crit W.S.	E.G. Elev	E.G. Slope	Vel Chnl	Flow Area	Top Width	Froude # Chl
			(cfs)	(ft)	(ft)	(ft)	(ft)	(ft/ft)	(ft/s)	(sq ft)	(ft)	
1	21230	2-YR	305.00	12.50	20.82	16.45	20.87	0.000643	1.76	173.26	45.31	0.16
1	21230	10-YR	586.00	12.50	22.25	17.63	22.34	0.001015	2.37	248.52	295.86	0.20
1	21230	25-YR	807.00	12.50	22.85	18.32	22.91	0.000720	2.17	613.99	469.99	0.18
1	21230	50-YR	1012.00	12.50	23.29	18.88	23.34	0.000621	2.14	842.12	562.17	0.17
1	21230	100-YR	1242.00	12.50	23.67	19.42	23.72	0.000572	2.15	1072.23	624.01	0.16
1	20450	2-YR	305.00	11.92	20.45		20.47	0.000402	1.01	302.22	135.56	0.12
1	20450	10-YR	586.00	11.92	21.92		21.94	0.000289	1.14	524.94	217.58	0.11
1	20450	25-YR	807.00	11.92	22.52		22.54	0.000312	1.32	698.05	338.46	0.12
1	20450	50-YR	1012.00	11.92	22.95		22.98	0.000336	1.47	869.13	449.70	0.12
1	20450	100-YR	1242.00	11.92	23.33		23.37	0.000369	1.62	1082.53	679.71	0.13
1	19831	2-YR	305.00	11.66	20.29		20.31	0.000187	0.94	323.72	105.30	0.09
1	19831	10-YR	586.00	11.66	21.76		21.78	0.000221	1.13	580.79	334.80	0.11
1	19831	25-YR	807.00	11.66	22.36		22.38	0.000224	1.24	831.40	494.20	0.11
1	19831	50-YR	1012.00	11.66	22.79		22.81	0.000223	1.33	1073.23	647.96	0.11
1	19831	100-YR	1242.00	11.66	23.16		23.19	0.000228	1.41	1322.02	696.29	0.11
1	19151	2-YR	305.00	11.43	20.02		20.09	0.000633	2.02	150.72	35.62	0.17
1	19151	10-YR	586.00	11.43	21.39		21.49	0.001082	2.54	356.85	363.22	0.23
1	19151	25-YR	807.00	11.43	22.01		22.10	0.000981	2.59	629.68	531.78	0.22
1	19151	50-YR	1012.00	11.43	22.47		22.53	0.000997	2.44	896.20	666.70	0.22
1	19151	100-YR	1242.00	11.43	22.85		22.91	0.000877	2.44	1194.77	838.67	0.21
1	18287	2-YR	425.00	11.26	19.61		19.65	0.000421	1.57	270.56	74.64	0.15
1	18287	10-YR	821.00	11.26	20.76		20.84	0.000596	2.19	464.72	346.50	0.18
1	18287	25-YR	1107.00	11.26	21.43		21.50	0.000547	2.30	745.47	476.86	0.18
1	18287	50-YR	1425.00	11.26	21.82		21.90	0.000599	2.52	939.17	512.19	0.19
1	18287	100-YR	1765.00	11.26	22.19		22.28	0.000659	2.76	1143.93	610.55	0.20
1	17977	2-YR	425.00	11.26	19.45		19.51	0.000487	1.92	246.55	131.56	0.16
1	17977	10-YR	821.00	11.26	20.54		20.63	0.000688	2.64	462.72	258.57	0.20
1	17977	25-YR	1107.00	11.26	21.22		21.31	0.000653	2.77	701.45	419.96	0.20
1	17977	50-YR	1425.00	11.26	21.58		21.69	0.000770	3.13	858.32	461.24	0.22
1	17977	100-YR	1765.00	11.26	21.91		22.03	0.000866	3.43	1017.76	492.67	0.23
1	17681	2-YR	429.00	11.48	19.21	15.67	19.29	0.001192	2.30	186.74	209.53	0.24
1	17681	10-YR	834.00	11.48	20.10	16.95	20.27	0.002257	3.31	253.74	386.23	0.33

HEC-RAS Plan: PC-EX(R) River: Parkers Creek Reach: 1 (Continued)

Reach	River Sta	Profile	Q Total (cfs)	Min Ch El (ft)	W.S. Elev (ft)	Crit W.S. (ft)	E.G. Elev (ft)	E.G. Slope (ft/ft)	Vel Chnl (ft/s)	Flow Area (sq ft)	Top Width (ft)	Froude # Chl
1	16813	2-YR	429.00	11.00	18.72	14.42	18.73	0.000271	1.13	698.45	591.88	0.11
1	16813	10-YR	834.00	11.00	19.60	15.48	19.62	0.000272	1.31	1361.69	1027.63	0.11
1	16813	25-YR	1124.00	11.00	20.25	16.07	20.26	0.000216	1.28	1960.20	1305.66	0.10
1	16813	50-YR	1447.00	11.00	20.70	16.62	20.71	0.000204	1.15	2771.79	1446.66	0.10
1	16813	100-YR	1795.00	11.00	21.18	17.19	21.19	0.000179	1.15	3514.15	1637.49	0.09
1	16629	2-YR	429.00	10.50	18.66		18.68	0.000370	1.38	563.71	506.50	0.12
1	16629	10-YR	834.00	10.50	19.56		19.58	0.000324	1.31	1242.49	1031.37	0.12
1	16629	25-YR	1124.00	10.50	20.22		20.23	0.000188	1.10	2011.35	1325.03	0.09
1	16629	50-YR	1447.00	10.50	20.67		20.68	0.000160	1.08	2701.04	1679.65	0.08
1	16629	100-YR	1795.00	10.50	21.16		21.17	0.000126	1.02	3561.87	1848.75	0.08
1	16473	2-YR	429.00	10.50	18.60		18.62	0.000410	1.36	580.32	589.50	0.13
1	16473	10-YR	834.00	10.50	19.52		19.53	0.000313	1.35	1235.93	820.30	0.11
1	16473	25-YR	1124.00	10.50	20.19		20.20	0.000229	1.28	1941.78	1380.29	0.10
1	16473	50-YR	1447.00	10.50	20.65		20.66	0.000196	1.25	2649.89	1675.99	0.09
1	16473	100-YR	1795.00	10.50	21.14		21.15	0.000154	1.18	3567.62	2005.25	0.08
1	16107	2-YR	427.00	9.95	18.54		18.55	0.000108	0.76	746.06	365.50	0.07
1	16107	10-YR	880.00	9.95	19.43		19.44	0.000210	1.18	1206.06	725.52	0.10
1	16107	25-YR	1183.00	9.95	20.11		20.13	0.000206	1.28	1748.76	833.26	0.10
1	16107	50-YR	1516.00	9.95	20.56		20.58	0.000224	1.41	2130.77	853.73	0.10
1	16107	100-YR	1884.00	9.95	21.06		21.09	0.000229	1.51	2563.33	875.02	0.11
1	15942	2-YR	427.00	10.00	18.47	14.47	18.51	0.000659	1.73	402.50	331.48	0.16
1	15942	10-YR	880.00	10.00	19.33	15.91	19.38	0.000876	2.19	876.12	780.64	0.19
1	15942	25-YR	1183.00	10.00	20.05	16.63	20.08	0.000504	1.85	1473.28	858.52	0.15
1	15942	50-YR	1516.00	10.00	20.51	18.03	20.54	0.000440	1.84	1874.22	881.61	0.14
1	15942	100-YR	1884.00	10.00	21.02	18.40	21.04	0.000374	1.80	2327.34	908.60	0.13
1	15895		Culvert									
1	15845	2-YR	427.00	9.80	18.46	14.26	18.49	0.000576	1.72	423.43	361.26	0.15
1	15845	10-YR	880.00	9.80	19.33	16.08	19.37	0.000736	2.07	925.86	781.64	0.18
1	15845	25-YR	1183.00	9.80	20.04	17.00	20.07	0.000501	1.72	1523.24	865.90	0.15
1	15845	50-YR	1516.00	9.80	20.51	18.09	20.53	0.000428	1.70	1927.19	882.30	0.14
1	15845	100-YR	1884.00	9.80	21.00	18.45	21.02	0.000365	1.68	2367.97	899.29	0.13

HEC-RAS Plan: PC-EX(R) River: Parkers Creek Reach: 1 (Continued)

Reach	River Sta	Profile	Q Total	Min Ch El	W.S. Elev	Crit W.S.	E.G. Elev	E.G. Slope	Vel Chnl	Flow Area	Top Width	Froude # Chl
			(cfs)	(ft)	(ft)	(ft)	(ft)	(ft/ft)	(ft/s)	(sq ft)	(ft)	
1	15748	2-YR	427.00	9.50	18.39		18.43	0.000793	1.70	455.66	533.25	0.17
1	15748	10-YR	880.00	9.50	19.27		19.30	0.000672	1.85	1004.70	702.30	0.16
1	15748	25-YR	1183.00	9.50	20.00		20.02	0.000410	1.62	1534.00	744.23	0.13
1	15748	50-YR	1516.00	9.50	20.47		20.49	0.000382	1.67	1885.77	766.99	0.13
1	15748	100-YR	1884.00	9.50	20.97		20.99	0.000350	1.70	2274.19	794.71	0.13
1	15588	2-YR	427.00	9.40	18.22	13.74	18.30	0.000641	2.46	272.43	460.54	0.17
1	15588	10-YR	880.00	9.40	19.12	15.20	19.20	0.000678	2.76	743.38	602.08	0.18
1	15588	25-YR	1183.00	9.40	19.95	15.98	19.97	0.000324	1.66	1364.99	697.65	0.12
1	15588	50-YR	1516.00	9.40	20.42	16.75	20.44	0.000299	1.68	1701.91	731.23	0.12
1	15588	100-YR	1884.00	9.40	20.92	18.88	20.95	0.000270	1.68	2075.43	754.12	0.11
1	15557		Culvert									
1	15522	2-YR	427.00	9.69	17.15	13.61	17.36	0.001495	3.72	114.93	65.30	0.27
1	15522	10-YR	880.00	9.69	19.12	15.16	19.18	0.000683	2.22	690.36	589.76	0.18
1	15522	25-YR	1183.00	9.69	19.93	16.04	19.96	0.000421	1.75	1201.07	677.41	0.14
1	15522	50-YR	1516.00	9.69	20.42	16.93	20.44	0.000370	1.75	1537.55	706.72	0.13
1	15522	100-YR	1884.00	9.69	20.91	18.00	20.93	0.000330	1.74	1889.28	729.42	0.13
1	15417	2-YR	427.00	9.91	17.13		17.19	0.000637	1.95	237.51	107.73	0.16
1	15417	10-YR	880.00	9.91	19.07		19.11	0.000438	1.87	742.94	404.27	0.14
1	15417	25-YR	1183.00	9.91	19.88		19.91	0.000396	1.86	1187.49	662.78	0.14
1	15417	50-YR	1516.00	9.91	20.37		20.40	0.000349	1.85	1515.68	669.81	0.13
1	15417	100-YR	1884.00	9.91	20.87		20.90	0.000313	1.84	1848.98	677.37	0.12
1	14659	2-YR	427.00	9.40	16.32		16.44	0.001706	2.74	158.08	50.55	0.26
1	14659	10-YR	880.00	9.40	18.37		18.52	0.001663	3.27	391.67	258.52	0.27
1	14659	25-YR	1183.00	9.40	19.25		19.37	0.001567	3.11	680.78	368.41	0.26
1	14659	50-YR	1516.00	9.40	19.78		19.91	0.001518	3.30	880.80	387.16	0.26
1	14659	100-YR	1884.00	9.40	20.31		20.44	0.001462	3.46	1098.48	451.94	0.26
1	13848	2-YR	427.00	9.03	15.62		15.68	0.000565	1.99	214.87	49.55	0.17
1	13848	10-YR	880.00	9.03	17.40		17.51	0.000949	2.69	352.75	168.73	0.22
1	13848	25-YR	1183.00	9.03	18.15		18.27	0.001199	2.88	519.36	275.53	0.25
1	13848	50-YR	1516.00	9.03	18.75		18.87	0.001101	3.01	697.40	334.57	0.24
1	13848	100-YR	1884.00	9.03	19.37		19.49	0.000958	3.05	938.11	457.64	0.23

HEC-RAS Plan: PC-EX(R) River: Parkers Creek Reach: 1 (Continued)

Reach	River Sta	Profile	Q Total	Min Ch El	W.S. Elev	Crit W.S.	E.G. Elev	E.G. Slope	Vel Chnl	Flow Area	Top Width	Froude # Chl
			(cfs)	(ft)	(ft)	(ft)	(ft)	(ft/ft)	(ft/s)	(sq ft)	(ft)	
1	13253	2-YR	427.00	8.65	14.99		15.11	0.002000	2.73	158.46	79.23	0.28
1	13253	10-YR	880.00	8.65	16.68		16.81	0.001501	3.12	486.84	305.77	0.26
1	13253	25-YR	1183.00	8.65	17.38		17.51	0.001363	3.27	722.59	359.54	0.25
1	13253	50-YR	1516.00	8.65	18.06		18.18	0.001225	3.36	975.84	392.99	0.24
1	13253	100-YR	1884.00	8.65	18.77		18.89	0.001078	3.40	1285.91	467.75	0.23
1	12411	2-YR	427.00	8.39	14.12		14.17	0.000685	1.72	266.20	138.40	0.17
1	12411	10-YR	880.00	8.39	16.04		16.10	0.000520	1.92	687.21	281.04	0.15
1	12411	25-YR	1183.00	8.39	16.76		16.82	0.000533	2.14	902.97	316.35	0.16
1	12411	50-YR	1516.00	8.39	17.46		17.52	0.000529	2.30	1129.43	332.39	0.16
1	12411	100-YR	1884.00	8.39	18.22		18.29	0.000502	2.42	1389.23	350.69	0.16
1	11694	2-YR	458.00	8.04	13.41		13.49	0.001319	2.28	200.58	54.87	0.21
1	11694	10-YR	970.00	8.04	15.36		15.47	0.001552	2.74	440.80	191.14	0.23
1	11694	25-YR	1300.00	8.04	16.05		16.18	0.001537	3.01	581.30	213.01	0.24
1	11694	50-YR	1659.00	8.04	16.76		16.90	0.001468	3.22	739.00	241.54	0.24
1	11694	100-YR	2064.00	8.04	17.56		17.71	0.001317	3.34	954.24	280.06	0.23
1	10915	2-YR	458.00	7.04	12.42		12.49	0.001251	2.08	220.20	67.26	0.20
1	10915	10-YR	970.00	7.04	14.24		14.32	0.001377	2.43	497.76	239.11	0.22
1	10915	25-YR	1300.00	7.04	15.03		15.12	0.001176	2.55	696.57	259.51	0.21
1	10915	50-YR	1659.00	7.04	15.85		15.94	0.001001	2.62	916.48	276.32	0.20
1	10915	100-YR	2064.00	7.04	16.80		16.89	0.000814	2.63	1185.69	290.94	0.18
1	10450	2-YR	458.00	6.45	11.80		11.89	0.001329	2.29	200.14	54.89	0.21
1	10450	10-YR	970.00	6.45	13.57		13.67	0.001386	2.67	588.95	361.07	0.22
1	10450	25-YR	1300.00	6.45	14.53		14.61	0.000979	2.56	953.41	410.48	0.19
1	10450	50-YR	1659.00	6.45	15.46		15.53	0.000727	2.45	1348.61	435.88	0.17
1	10450	100-YR	2064.00	6.45	16.51		16.56	0.000535	2.33	1816.00	472.12	0.15
1	10164	2-YR	458.00	6.00	11.45		11.52	0.001179	2.14	213.90	59.47	0.20
1	10164	10-YR	970.00	6.00	13.40		13.43	0.000498	1.50	1048.48	689.21	0.13
1	10164	25-YR	1300.00	6.00	14.47		14.48	0.000215	1.16	1904.31	952.49	0.09
1	10164	50-YR	1659.00	6.00	15.43		15.44	0.000132	1.02	2934.11	1150.00	0.07
1	10164	100-YR	2064.00	6.00	16.50		16.50	0.000077	0.87	4193.10	1198.38	0.06
1	10062	2-YR	458.00	5.92	11.33	8.19	11.40	0.001138	2.24	204.71	59.91	0.21
1	10062	10-YR	970.00	5.92	13.18	9.40	13.32	0.001247	2.97	326.73	402.73	0.24

HEC-RAS Plan: PC-EX(R) River: Parkers Creek Reach: 1 (Continued)

Reach	River Sta	Profile	Q Total (cfs)	Min Ch El (ft)	W.S. Elev (ft)	Crit W.S. (ft)	E.G. Elev (ft)	E.G. Slope (ft/ft)	Vel Chnl (ft/s)	Flow Area (sq ft)	Top Width (ft)	Froude # Chl
1	10062	25-YR	1300.00	5.92	14.22	10.01	14.39	0.001175	3.28	396.42	881.93	0.24
1	10062	50-YR	1659.00	5.92	15.15	10.58	15.35	0.001179	3.62	458.41	1108.33	0.24
1	10062	100-YR	2064.00	5.92	16.18	11.21	16.41	0.001144	3.91	527.39	1218.65	0.25
1	10006		Culvert									
1	9950	2-YR	458.00	4.46	11.24	6.77	11.28	0.000376	1.72	266.95	212.86	0.13
1	9950	10-YR	970.00	4.46	12.82	7.93	12.94	0.000699	2.79	347.76	780.86	0.19
1	9950	25-YR	1300.00	4.46	13.65	8.52	13.82	0.000858	3.33	389.85	1021.40	0.21
1	9950	50-YR	1659.00	4.46	14.29	9.09	14.53	0.001066	3.92	422.83	1141.25	0.24
1	9950	100-YR	2064.00	4.46	14.98	9.67	15.30	0.001265	4.51	457.93	1212.32	0.27
1	9751	2-YR	458.00	4.00	11.19		11.21	0.000247	1.15	803.82	793.21	0.10
1	9751	10-YR	970.00	4.00	12.83		12.84	0.000135	1.07	2528.81	1339.93	0.08
1	9751	25-YR	1300.00	4.00	13.68		13.69	0.000102	1.03	3743.94	1472.61	0.07
1	9751	50-YR	1659.00	4.00	14.37		14.37	0.000087	1.01	4770.09	1556.14	0.07
1	9751	100-YR	2064.00	4.00	15.10		15.10	0.000076	1.01	5973.16	1741.60	0.06
1	8660	2-YR	532.00	3.95	10.70		10.73	0.000841	1.64	450.89	206.69	0.14
1	8660	10-YR	1169.00	3.95	12.45		12.51	0.000870	2.13	851.19	246.50	0.16
1	8660	25-YR	1620.00	3.95	13.34		13.41	0.000911	2.39	1078.19	263.40	0.16
1	8660	50-YR	2045.00	3.95	14.04		14.12	0.000958	2.63	1267.26	277.36	0.17
1	8660	100-YR	2556.00	3.95	14.78		14.87	0.001023	2.89	1477.40	298.66	0.18
1	7695	2-YR	532.00	3.60	9.86		9.90	0.000909	1.73	471.63	227.35	0.15
1	7695	10-YR	1169.00	3.60	11.57		11.63	0.000991	2.28	1006.24	406.63	0.17
1	7695	25-YR	1620.00	3.60	12.44		12.51	0.000994	2.51	1423.19	553.27	0.17
1	7695	50-YR	2045.00	3.60	13.15		13.22	0.000955	2.63	1847.81	619.13	0.17
1	7695	100-YR	2556.00	3.60	13.91		13.98	0.000868	2.68	2328.97	640.56	0.17
1	6792	2-YR	532.00	3.50	9.02		9.07	0.000933	1.72	417.46	210.12	0.15
1	6792	10-YR	1169.00	3.50	10.60		10.67	0.001120	2.37	846.64	321.31	0.18
1	6792	25-YR	1620.00	3.50	11.48		11.56	0.001118	2.61	1138.98	349.22	0.18
1	6792	50-YR	2045.00	3.50	12.20		12.28	0.001111	2.79	1399.23	373.83	0.18
1	6792	100-YR	2556.00	3.50	13.00		13.10	0.001087	2.97	1712.81	406.79	0.19
1	6134	2-YR	532.00	3.50	7.98		8.07	0.002785	2.60	302.48	279.60	0.26
1	6134	10-YR	1169.00	3.50	9.61		9.70	0.001959	2.87	797.38	319.84	0.23

HEC-RAS Plan: PC-EX(R) River: Parkers Creek Reach: 1 (Continued)

Reach	River Sta	Profile	Q Total	Min Ch El	W.S. Elev	Crit W.S.	E.G. Elev	E.G. Slope	Vel Chnl	Flow Area	Top Width	Froude # Chl
			(cfs)	(ft)	(ft)	(ft)	(ft)	(ft/ft)	(ft/s)	(sq ft)	(ft)	
1	6134	25-YR	1620.00	3.50	10.57		10.66	0.001629	2.95	1111.01	332.42	0.22
1	6134	50-YR	2045.00	3.50	11.33		11.42	0.001496	3.07	1367.53	342.37	0.21
1	6134	100-YR	2556.00	3.50	12.18		12.27	0.001371	3.19	1663.77	353.33	0.21
1	5784	2-YR	522.00	3.08	7.48		7.52	0.000952	1.65	481.10	332.05	0.15
1	5784	10-YR	1134.00	3.08	9.22		9.27	0.000756	1.91	1108.94	382.53	0.15
1	5784	25-YR	1589.00	3.08	10.23		10.27	0.000690	2.05	1501.80	399.65	0.14
1	5784	50-YR	2016.00	3.08	11.00		11.05	0.000673	2.19	1816.84	412.78	0.14
1	5784	100-YR	2525.00	3.08	11.88		11.93	0.000643	2.31	2181.69	424.78	0.14
1	5727	2-YR	522.00	3.08	7.37	4.71	7.44	0.001590	2.15	245.47	109.98	0.20
1	5727	10-YR	1134.00	3.08	9.01	5.68	9.16	0.002144	3.19	363.62	168.15	0.24
1	5727	25-YR	1589.00	3.08	9.93	6.27	10.15	0.002444	3.80	430.21	229.36	0.27
1	5727	50-YR	2016.00	3.08	10.62	6.77	10.91	0.002753	4.33	480.15	248.07	0.29
1	5727	100-YR	2525.00	3.08	11.40	7.29	11.77	0.003014	4.86	536.20	315.96	0.31
1	5692		Culvert									
1	5652	2-YR	522.00	2.11	7.30	4.48	7.40	0.002275	2.51	208.11	65.09	0.23
1	5652	10-YR	1134.00	2.11	8.84	5.77	9.06	0.003231	3.80	303.21	118.47	0.30
1	5652	25-YR	1589.00	2.11	9.65	6.49	9.98	0.003852	4.58	353.77	147.41	0.33
1	5652	50-YR	2016.00	2.11	10.22	7.06	10.65	0.004561	5.29	388.82	169.99	0.37
1	5652	100-YR	2525.00	2.11	10.80	7.62	11.37	0.005355	6.07	425.00	207.26	0.40
1	5589	2-YR	522.00	2.11	7.26		7.29	0.000756	1.58	369.26	166.56	0.14
1	5589	10-YR	1134.00	2.11	8.81		8.88	0.001003	2.26	654.72	239.99	0.17
1	5589	25-YR	1589.00	2.11	9.65		9.74	0.001095	2.60	902.35	346.83	0.18
1	5589	50-YR	2016.00	2.11	10.25		10.35	0.001188	2.87	1137.06	420.73	0.19
1	5589	100-YR	2525.00	2.11	10.88		11.00	0.001250	3.12	1417.82	466.42	0.20
1	5229	2-YR	545.00	1.61	6.88		6.94	0.001284	2.05	388.31	220.05	0.18
1	5229	10-YR	1191.00	1.61	8.35		8.44	0.001524	2.75	739.50	255.39	0.21
1	5229	25-YR	1682.00	1.61	9.15		9.26	0.001632	3.11	977.19	324.31	0.22
1	5229	50-YR	2151.00	1.61	9.69		9.82	0.001827	3.48	1160.98	355.60	0.24
1	5229	100-YR	2713.00	1.61	10.28		10.43	0.001985	3.83	1378.43	385.80	0.25
1	2851	2-YR	545.00	0.40	4.39		4.41	0.000890	1.29	637.41	514.42	0.14
1	2851	10-YR	1191.00	0.40	5.35		5.38	0.001091	1.73	1444.73	1092.40	0.16

HEC-RAS Plan: PC-EX(R) River: Parkers Creek Reach: 1 (Continued)

Reach	River Sta	Profile	Q Total	Min Ch El	W.S. Elev	Crit W.S.	E.G. Elev	E.G. Slope	Vel Chnl	Flow Area	Top Width	Froude # Chl
			(cfs)	(ft)	(ft)	(ft)	(ft)	(ft/ft)	(ft/s)	(sq ft)	(ft)	
1	2851	25-YR	1682.00	0.40	5.84		5.87	0.001247	1.79	2016.07	1241.29	0.17
1	2851	50-YR	2151.00	0.40	6.18		6.22	0.001269	1.92	2463.13	1342.06	0.18
1	2851	100-YR	2713.00	0.40	6.50		6.54	0.001360	2.10	2902.90	1406.49	0.19
1	327	2-YR	545.00	-2.00	2.76	0.50	2.76	0.000500	1.11	1819.21	1823.78	0.11
1	327	10-YR	1191.00	-2.00	3.58	2.13	3.59	0.000501	1.02	3671.28	3016.59	0.11
1	327	25-YR	1682.00	-2.00	3.97	2.31	3.97	0.000500	1.04	4976.98	3698.37	0.11
1	327	50-YR	2151.00	-2.00	4.31	2.39	4.31	0.000501	1.05	6340.59	4296.35	0.11
1	327	100-YR	2713.00	-2.00	4.58	2.51	4.58	0.000501	1.02	7529.52	4506.72	0.11

**PRIMARY SYSTEM
FUTURE
CONDITIONS:
HEC-RAS OUTPUT**

Johnsons Mill Run - Future Conditions

HEC-RAS Plan: JMR-FU River: Johnsons Mill Rn Reach: 1

Reach	River Sta	Profile	Q Total (cfs)	Min Ch El (ft)	W.S. Elev (ft)	Crit W.S. (ft)	E.G. Elev (ft)	E.G. Slope (ft/ft)	Vel Chnl (ft/s)	Flow Area (sq ft)	Top Width (ft)	Froude # Chl
1	11718	2-YR	646.00	18.11	27.87		27.98	0.001429	2.71	238.23	51.06	0.22
1	11718	10-YR	1263.00	18.11	30.09		30.15	0.000795	2.37	1238.27	1494.18	0.17
1	11718	25-YR	1734.00	18.11	30.87		30.90	0.000405	1.84	2707.34	2218.13	0.13
1	11718	50-YR	2159.00	18.11	31.48		31.49	0.000239	1.50	4169.50	2591.64	0.10
1	11718	100-YR	2648.00	18.11	32.15		32.16	0.000146	1.24	6032.84	2844.69	0.08
1	11121	2-YR	646.00	17.62	27.15		27.25	0.001053	2.48	260.50	50.92	0.19
1	11121	10-YR	1263.00	17.62	29.50		29.62	0.000963	2.93	729.64	812.12	0.19
1	11121	25-YR	1734.00	17.62	30.59		30.63	0.000449	2.20	2444.71	2373.50	0.14
1	11121	50-YR	2159.00	17.62	31.32		31.34	0.000254	1.75	4358.02	2751.17	0.10
1	11121	100-YR	2648.00	17.62	32.05		32.06	0.000153	1.44	6416.97	2819.07	0.08
1	10522	2-YR	646.00	16.72	26.44		26.55	0.001298	2.62	246.25	51.93	0.21
1	10522	10-YR	1263.00	16.72	28.71		28.88	0.001593	3.30	384.33	72.08	0.24
1	10522	25-YR	1734.00	16.72	29.94		30.15	0.001660	3.68	482.88	88.47	0.25
1	10522	50-YR	2159.00	16.72	30.73		30.99	0.001832	4.06	568.29	228.96	0.27
1	10522	100-YR	2648.00	16.72	31.58		31.81	0.002103	4.08	1004.80	735.95	0.29
1	9912	2-YR	646.00	16.11	25.70		25.80	0.001171	2.55	261.68	61.24	0.20
1	9912	10-YR	1263.00	16.11	27.94		28.07	0.001086	3.05	491.19	141.96	0.21
1	9912	25-YR	1734.00	16.11	29.25		29.38	0.000929	3.17	698.25	175.67	0.20
1	9912	50-YR	2159.00	16.11	30.02		30.17	0.000946	3.41	841.21	196.92	0.20
1	9912	100-YR	2648.00	16.11	30.76		30.93	0.001009	3.72	1010.41	269.91	0.21
1	9356	2-YR	646.00	16.00	25.21		25.27	0.000750	2.07	312.44	63.86	0.16
1	9356	10-YR	1263.00	16.00	27.39		27.49	0.000985	2.64	481.69	99.42	0.19
1	9356	25-YR	1734.00	16.00	28.75		28.88	0.000871	2.87	654.93	151.95	0.19
1	9356	50-YR	2159.00	16.00	29.50		29.65	0.000923	3.16	778.72	180.95	0.20
1	9356	100-YR	2648.00	16.00	30.19		30.36	0.000994	3.46	915.92	217.78	0.21
1	9099	2-YR	646.00	15.89	24.93		25.03	0.001246	2.49	260.29	60.78	0.21
1	9099	10-YR	1263.00	15.89	27.04		27.20	0.001260	3.24	411.69	82.63	0.22
1	9099	25-YR	1734.00	15.89	28.41		28.61	0.001210	3.61	534.97	98.47	0.23
1	9099	50-YR	2159.00	15.89	29.10		29.35	0.001389	4.09	606.49	109.86	0.25
1	9099	100-YR	2648.00	15.89	29.70		30.03	0.001647	4.66	726.75	279.21	0.27
1	9010	2-YR	646.00	16.44	24.87	20.31	24.93	0.000667	1.87	345.20	76.67	0.16
1	9010	10-YR	1263.00	16.44	27.00	21.54	27.08	0.000762	2.31	569.07	129.12	0.17

HEC-RAS Plan: JMR-FU River: Johnsons Mill Rn Reach: 1 (Continued)

Reach	River Sta	Profile	Q Total	Min Ch El	W.S. Elev	Crit W.S.	E.G. Elev	E.G. Slope	Vel Chnl	Flow Area	Top Width	Froude # Chl
			(cfs)	(ft)	(ft)	(ft)	(ft)	(ft/ft)	(ft/s)	(sq ft)	(ft)	
1	9010	25-YR	1734.00	16.44	28.39	22.26	28.48	0.000656	2.49	812.17	238.84	0.17
1	9010	50-YR	2159.00	16.44	29.08	22.83	29.20	0.000703	2.74	1040.73	391.00	0.17
1	9010	100-YR	2648.00	16.44	29.70	23.39	29.83	0.000759	3.00	1305.62	486.62	0.18
1	8988		Bridge									
1	8963	2-YR	646.00	16.44	24.63		24.80	0.002676	3.29	196.22	51.62	0.30
1	8963	10-YR	1263.00	16.44	26.52		26.77	0.003336	4.03	313.62	72.64	0.34
1	8963	25-YR	1734.00	16.44	27.61		27.88	0.002893	4.22	507.80	247.24	0.33
1	8963	50-YR	2159.00	16.44	28.44		28.70	0.002455	4.29	770.27	433.80	0.31
1	8963	100-YR	2648.00	16.44	29.42		29.62	0.001719	3.97	1229.89	524.93	0.27
1	8867	2-YR	646.00	16.50	24.55		24.61	0.000880	1.96	329.50	87.17	0.18
1	8867	10-YR	1263.00	16.50	26.45		26.55	0.000852	2.48	586.27	189.40	0.18
1	8867	25-YR	1734.00	16.50	27.56		27.67	0.000804	2.71	819.89	230.08	0.18
1	8867	50-YR	2159.00	16.50	28.39		28.50	0.000787	2.90	1020.05	258.84	0.19
1	8867	100-YR	2648.00	16.50	29.36		29.48	0.000727	3.02	1325.36	363.82	0.18
1	8528	2-YR	646.00	15.68	24.21		24.29	0.000967	2.34	302.82	126.53	0.19
1	8528	10-YR	1263.00	15.68	26.09		26.22	0.001069	3.07	573.19	158.95	0.21
1	8528	25-YR	1734.00	15.68	27.18		27.35	0.001112	3.46	755.76	174.49	0.22
1	8528	50-YR	2159.00	15.68	27.98		28.17	0.001181	3.81	901.40	192.41	0.23
1	8528	100-YR	2648.00	15.68	28.94		29.16	0.001182	4.09	1101.27	227.78	0.23
1	8203	2-YR	646.00	15.50	23.74		23.87	0.001831	2.86	226.42	57.67	0.25
1	8203	10-YR	1263.00	15.50	25.54		25.74	0.002063	3.64	391.87	113.03	0.28
1	8203	25-YR	1734.00	15.50	26.64		26.87	0.001933	3.99	521.20	123.76	0.28
1	8203	50-YR	2159.00	15.50	27.41		27.67	0.001952	4.33	620.02	132.97	0.29
1	8203	100-YR	2648.00	15.50	28.40		28.68	0.001778	4.50	793.04	234.31	0.28
1	7850	2-YR	646.00	14.93	23.38		23.44	0.000791	2.00	322.56	73.45	0.17
1	7850	10-YR	1263.00	14.93	25.11		25.23	0.000986	2.78	478.41	117.64	0.20
1	7850	25-YR	1734.00	14.93	26.20		26.35	0.001028	3.17	620.94	141.64	0.21
1	7850	50-YR	2159.00	14.93	26.95		27.13	0.001111	3.52	740.60	181.17	0.22
1	7850	100-YR	2648.00	14.93	27.98		28.18	0.001034	3.68	945.74	217.65	0.22
1	7791	2-YR	646.00	14.40	23.23	19.57	23.35	0.002172	2.79	231.61	69.22	0.27
1	7791	10-YR	1263.00	14.40	24.93	21.29	25.12	0.002377	3.53	371.15	107.31	0.29

HEC-RAS Plan: JMR-FU River: Johnsons Mill Rn Reach: 1 (Continued)

Reach	River Sta	Profile	Q Total	Min Ch El	W.S. Elev	Crit W.S.	E.G. Elev	E.G. Slope	Vel Chnl	Flow Area	Top Width	Froude # Chl
			(cfs)	(ft)	(ft)	(ft)	(ft)	(ft/ft)	(ft/s)	(sq ft)	(ft)	
1	7791	25-YR	1734.00	14.40	26.03	22.22	26.25	0.002110	3.81	516.73	144.52	0.28
1	7791	50-YR	2159.00	14.40	26.78	22.86	27.03	0.002067	4.10	640.03	192.10	0.29
1	7791	100-YR	2648.00	14.40	27.83	23.42	28.09	0.001723	4.15	867.53	240.95	0.27
1	7754		Bridge									
1	7715	2-YR	646.00	14.97	22.81		23.04	0.004585	3.84	168.41	52.38	0.38
1	7715	10-YR	1263.00	14.97	24.33		24.70	0.005204	4.93	258.75	68.11	0.42
1	7715	25-YR	1734.00	14.97	25.23		25.70	0.005051	5.52	350.80	151.06	0.43
1	7715	50-YR	2159.00	14.97	26.03		26.52	0.004494	5.73	491.20	200.49	0.41
1	7715	100-YR	2648.00	14.97	26.83		27.31	0.003977	5.86	664.04	230.52	0.40
1	7526	2-YR	646.00	14.79	22.31		22.44	0.002017	2.95	255.22	112.51	0.26
1	7526	10-YR	1263.00	14.79	23.80		24.01	0.002250	3.87	437.69	131.23	0.29
1	7526	25-YR	1734.00	14.79	24.74		24.99	0.002274	4.32	565.02	140.23	0.30
1	7526	50-YR	2159.00	14.79	25.58		25.85	0.002169	4.59	686.44	148.31	0.30
1	7526	100-YR	2648.00	14.79	26.40		26.70	0.002140	4.90	811.40	156.19	0.31
1	7261	2-YR	646.00	14.60	21.96		22.04	0.001116	2.27	315.72	105.60	0.20
1	7261	10-YR	1263.00	14.60	23.35		23.49	0.001584	3.10	486.10	138.89	0.24
1	7261	25-YR	1734.00	14.60	24.30		24.47	0.001583	3.48	629.31	160.89	0.25
1	7261	50-YR	2159.00	14.60	25.17		25.36	0.001468	3.68	776.74	174.98	0.25
1	7261	100-YR	2648.00	14.60	26.01		26.22	0.001428	3.92	928.96	188.49	0.25
1	6926	2-YR	646.00	14.46	21.48		21.57	0.001743	2.49	293.21	126.21	0.24
1	6926	10-YR	1263.00	14.46	22.72		22.88	0.002068	3.35	461.95	145.43	0.28
1	6926	25-YR	1734.00	14.46	23.69		23.88	0.001890	3.64	611.10	160.09	0.27
1	6926	50-YR	2159.00	14.46	24.65		24.83	0.001614	3.74	770.34	174.38	0.26
1	6926	100-YR	2648.00	14.46	25.51		25.71	0.001513	3.93	927.23	188.62	0.26
1	6392	2-YR	646.00	14.13	19.78		19.90	0.006975	2.79	231.95	130.68	0.37
1	6392	10-YR	1263.00	14.13	21.56		21.65	0.002437	2.49	571.08	245.51	0.24
1	6392	25-YR	1734.00	14.13	22.92		23.00	0.001322	2.31	944.06	303.13	0.19
1	6392	50-YR	2159.00	14.13	24.09		24.16	0.000907	2.22	1342.88	385.20	0.16
1	6392	100-YR	2648.00	14.13	25.03		25.10	0.000777	2.27	1772.60	537.77	0.15
1	6053	2-YR	646.00	13.00	19.69		19.70	0.000172	0.81	827.41	269.73	0.07
1	6053	10-YR	1263.00	13.00	21.45		21.47	0.000195	1.08	1530.77	497.36	0.08

HEC-RAS Plan: JMR-FU River: Johnsons Mill Rn Reach: 1 (Continued)

Reach	River Sta	Profile	Q Total	Min Ch El	W.S. Elev	Crit W.S.	E.G. Elev	E.G. Slope	Vel Chnl	Flow Area	Top Width	Froude # Chl
			(cfs)	(ft)	(ft)	(ft)	(ft)	(ft/ft)	(ft/s)	(sq ft)	(ft)	
1	6053	25-YR	1734.00	13.00	22.84		22.86	0.000163	1.12	2258.93	553.01	0.07
1	6053	50-YR	2159.00	13.00	24.03		24.04	0.000140	1.15	2952.89	626.75	0.07
1	6053	100-YR	2648.00	13.00	24.98		24.99	0.000138	1.22	3570.88	672.15	0.07
1	5427	2-YR	890.00	12.46	19.43		19.47	0.000784	1.72	724.65	243.09	0.14
1	5427	10-YR	1754.00	12.46	21.15		21.21	0.000864	2.24	1202.20	304.73	0.16
1	5427	25-YR	2442.00	12.46	22.57		22.64	0.000735	2.38	1680.06	389.13	0.15
1	5427	50-YR	3055.00	12.46	23.79		23.85	0.000627	2.43	2265.29	678.77	0.14
1	5427	100-YR	3729.00	12.46	24.75		24.81	0.000583	2.51	3041.05	932.06	0.14
1	4869	2-YR	890.00	11.07	18.60		18.70	0.002853	2.62	380.96	160.58	0.26
1	4869	10-YR	1754.00	11.07	20.31		20.45	0.002326	3.15	684.61	194.14	0.25
1	4869	25-YR	2442.00	11.07	21.91		22.04	0.001573	3.13	1017.24	220.44	0.22
1	4869	50-YR	3055.00	11.07	23.23		23.36	0.001231	3.14	1322.88	242.33	0.20
1	4869	100-YR	3729.00	11.07	24.20		24.35	0.001180	3.32	1566.46	259.02	0.20
1	4126	2-YR	890.00	10.60	17.30		17.38	0.001211	2.34	525.84	200.94	0.21
1	4126	10-YR	1754.00	10.60	19.25		19.35	0.001010	2.79	943.67	226.59	0.20
1	4126	25-YR	2442.00	10.60	21.23		21.32	0.000652	2.72	1415.65	250.67	0.17
1	4126	50-YR	3055.00	10.60	22.68		22.77	0.000541	2.77	1794.69	273.42	0.16
1	4126	100-YR	3729.00	10.60	23.65		23.75	0.000563	3.02	2068.79	299.60	0.17
1	3787	2-YR	890.00	10.50	17.00		17.06	0.000724	2.12	541.75	148.60	0.17
1	3787	10-YR	1754.00	10.50	18.92		19.03	0.000860	2.87	856.84	179.33	0.19
1	3787	25-YR	2442.00	10.50	20.98		21.09	0.000634	2.93	1271.88	227.97	0.17
1	3787	50-YR	3055.00	10.50	22.47		22.58	0.000548	3.02	1636.45	261.79	0.16
1	3787	100-YR	3729.00	10.50	23.42		23.55	0.000581	3.30	1896.20	284.34	0.17
1	3562	2-YR	890.00	10.20	16.83		16.87	0.000804	1.74	848.30	306.46	0.15
1	3562	10-YR	1754.00	10.20	18.77		18.81	0.000716	2.09	1475.38	337.98	0.15
1	3562	25-YR	2442.00	10.20	20.90		20.94	0.000440	1.99	2222.65	362.21	0.12
1	3562	50-YR	3055.00	10.20	22.40		22.44	0.000365	2.02	2780.97	379.78	0.11
1	3562	100-YR	3729.00	10.20	23.36		23.41	0.000385	2.20	3150.90	395.10	0.12
1	3307	2-YR	890.00	9.95	16.70		16.72	0.000381	1.36	788.72	202.41	0.10
1	3307	10-YR	1756.00	9.95	18.62		18.66	0.000461	1.83	1207.76	231.93	0.12
1	3307	25-YR	2430.00	9.95	20.79		20.84	0.000322	1.83	1746.13	263.79	0.10
1	3307	50-YR	3046.00	9.95	22.31		22.36	0.000284	1.89	2165.85	289.69	0.10

HEC-RAS Plan: JMR-FU River: Johnsons Mill Rn Reach: 1 (Continued)

Reach	River Sta	Profile	Q Total	Min Ch El	W.S. Elev	Crit W.S.	E.G. Elev	E.G. Slope	Vel Chnl	Flow Area	Top Width	Froude # Chl
			(cfs)	(ft)	(ft)	(ft)	(ft)	(ft/ft)	(ft/s)	(sq ft)	(ft)	
1	3307	100-YR	3743.00	9.95	23.26		23.31	0.000309	2.09	2469.39	366.34	0.11
1	3227	2-YR	890.00	9.16	16.52	13.52	16.64	0.001921	2.70	329.14	94.19	0.25
1	3227	10-YR	1756.00	9.16	18.38	14.83	18.56	0.002149	3.34	528.22	129.14	0.28
1	3227	25-YR	2430.00	9.16	20.65	15.58	20.77	0.000935	2.91	1036.55	282.26	0.20
1	3227	50-YR	3046.00	9.16	22.20	16.14	22.31	0.000653	2.79	1511.11	330.17	0.17
1	3227	100-YR	3743.00	9.16	23.14	16.71	23.26	0.000644	2.98	1862.92	423.62	0.17
1	3184		Bridge									
1	3128	2-YR	890.00	9.73	15.68		16.00	0.007625	4.58	194.30	70.81	0.49
1	3128	10-YR	1756.00	9.73	17.04		17.56	0.007911	5.84	313.12	106.93	0.53
1	3128	25-YR	2430.00	9.73	17.87		18.52	0.007624	6.54	418.63	148.21	0.53
1	3128	50-YR	3046.00	9.73	18.57		19.29	0.007200	6.97	551.33	229.56	0.53
1	3128	100-YR	3743.00	9.73	19.34		20.07	0.006333	7.15	758.12	331.74	0.51
1	3030	2-YR	890.00	9.14	14.80		15.12	0.010705	4.55	196.18	74.49	0.49
1	3030	10-YR	1756.00	9.14	16.06		16.62	0.011584	6.03	301.22	91.98	0.54
1	3030	25-YR	2430.00	9.14	16.88		17.59	0.011525	6.83	381.25	104.45	0.56
1	3030	50-YR	3046.00	9.14	17.54		18.38	0.011483	7.44	454.35	117.41	0.57
1	3030	100-YR	3743.00	9.14	18.20		19.18	0.011557	8.07	538.11	141.54	0.58
1	2561	2-YR	890.00	8.01	13.71		13.75	0.001218	1.71	744.22	359.14	0.17
1	2561	10-YR	1756.00	8.01	15.32		15.37	0.000969	2.00	1337.64	381.22	0.16
1	2561	25-YR	2430.00	8.01	16.27		16.33	0.000932	2.22	1706.81	394.89	0.16
1	2561	50-YR	3046.00	8.01	17.02		17.08	0.000924	2.40	2006.20	405.35	0.17
1	2561	100-YR	3743.00	8.01	17.76		17.84	0.000930	2.59	2310.69	414.73	0.17
1	2076	2-YR	890.00	7.09	12.96	10.11	13.05	0.001791	2.71	516.21	194.88	0.22
1	2076	10-YR	1756.00	7.09	14.56	11.37	14.71	0.002104	3.57	848.01	219.33	0.25
1	2076	25-YR	2430.00	7.09	15.47	12.15	15.66	0.002330	4.10	1052.73	231.29	0.27
1	2076	50-YR	3046.00	7.09	16.17	12.61	16.40	0.002509	4.53	1218.74	240.04	0.28
1	2076	100-YR	3743.00	7.09	16.86	13.09	17.12	0.002708	4.97	1386.87	248.67	0.30
1	1568	2-YR	890.00	6.17	9.27	9.27	10.37	0.049166	8.43	105.59	48.59	1.01
1	1568	10-YR	1756.00	6.17	10.85	10.85	11.92	0.029119	8.53	275.15	187.41	0.83
1	1568	25-YR	2430.00	6.17	11.44	11.44	12.64	0.028060	9.35	389.69	200.06	0.84
1	1568	50-YR	3046.00	6.17	11.90	11.90	13.21	0.027618	9.99	483.47	218.32	0.85

HEC-RAS Plan: JMR-FU River: Johnsons Mill Rn Reach: 1 (Continued)

Reach	River Sta	Profile	Q Total	Min Ch El	W.S. Elev	Crit W.S.	E.G. Elev	E.G. Slope	Vel Chnl	Flow Area	Top Width	Froude # Chl
			(cfs)	(ft)	(ft)	(ft)	(ft)	(ft/ft)	(ft/s)	(sq ft)	(ft)	
1	1568	100-YR	3743.00	6.17	12.37	12.37	13.76	0.026804	10.55	596.22	253.74	0.85
1	271	2-YR	890.00	1.92	7.00	3.95	7.04	0.000501	1.55	623.21	181.43	0.13
1	271	10-YR	1757.00	1.92	8.75	4.62	8.80	0.000500	1.96	1598.92	1075.29	0.14
1	271	25-YR	2431.00	1.92	9.55	5.03	9.60	0.000500	2.13	2605.17	1410.67	0.15
1	271	50-YR	3049.00	1.92	10.11	5.37	10.17	0.000500	2.25	3416.63	1475.09	0.15
1	271	100-YR	3750.00	1.92	10.65	5.74	10.70	0.000500	2.36	4212.73	1502.07	0.15

Parkers Creek - Future Conditions

HEC-RAS Plan: PC-FU(R) River: Parkers Creek Reach: 1

Reach	River Sta	Profile	Q Total (cfs)	Min Ch El (ft)	W.S. Elev (ft)	Crit W.S. (ft)	E.G. Elev (ft)	E.G. Slope (ft/ft)	Vel Chnl (ft/s)	Flow Area (sq ft)	Top Width (ft)	Froude # Chl
1	29594	2-YR	216.00	22.50	26.80		26.83	0.000904	1.70	193.06	141.72	0.22
1	29594	10-YR	445.00	22.50	28.07		28.10	0.000625	1.64	424.10	239.26	0.19
1	29594	25-YR	619.00	22.50	28.32		28.36	0.000857	2.03	502.69	366.78	0.22
1	29594	50-YR	779.00	22.50	29.28		29.30	0.000422	1.62	1156.02	1027.76	0.16
1	29594	100-YR	955.00	22.50	30.43		30.44	0.000119	1.06	2814.67	2571.58	0.09
1	29005	2-YR	216.00	21.00	26.33	23.85	26.37	0.000690	1.72	164.52	936.98	0.20
1	29005	10-YR	445.00	21.00	27.77	24.81	27.80	0.000435	1.56	571.97	1519.55	0.16
1	29005	25-YR	619.00	21.00	28.33	25.49	28.33	0.000009	0.25	3097.33	2032.50	0.02
1	29005	50-YR	779.00	21.00	29.29	25.97	29.29	0.000004	0.19	5187.45	2284.00	0.02
1	29005	100-YR	955.00	21.00	30.44	26.32	30.44	0.000002	0.16	7851.51	2364.24	0.01
1	28619	2-YR	216.00	20.00	25.93		26.01	0.001258	2.27	95.56	43.69	0.24
1	28619	10-YR	445.00	20.00	27.57		27.60	0.000599	1.78	751.67	806.40	0.17
1	28619	25-YR	619.00	20.00	28.30		28.32	0.000326	1.47	1417.80	1037.32	0.13
1	28619	50-YR	779.00	20.00	29.28		29.28	0.000133	1.05	2566.83	1283.68	0.08
1	28619	100-YR	955.00	20.00	30.43		30.43	0.000058	0.79	4204.98	1506.63	0.06
1	28069	2-YR	216.00	19.52	25.50		25.55	0.000581	1.89	114.27	27.03	0.16
1	28069	10-YR	445.00	19.52	27.15		27.21	0.000868	2.17	505.36	813.06	0.20
1	28069	25-YR	619.00	19.52	28.13		28.15	0.000295	1.48	1431.91	1036.06	0.12
1	28069	50-YR	779.00	19.52	29.21		29.22	0.000109	1.03	2639.71	1229.77	0.08
1	28069	100-YR	955.00	19.52	30.40		30.40	0.000048	0.78	4184.20	1315.60	0.05
1	27993	2-YR	216.00	20.00	25.49	22.22	25.51	0.000180	0.99	218.31	124.66	0.10
1	27993	10-YR	445.00	20.00	27.13	22.97	27.16	0.000203	1.37	324.93	913.08	0.11
1	27993	25-YR	619.00	20.00	28.08	23.40	28.12	0.000221	1.60	386.55	1034.64	0.12
1	27993	50-YR	779.00	20.00	29.15	23.73	29.19	0.000202	1.71	455.89	1180.32	0.11
1	27993	100-YR	955.00	20.00	30.33	24.01	30.38	0.000180	1.79	532.97	1326.24	0.11
1	27925		Culvert									
1	27864	2-YR	216.00	20.00	25.45	22.32	25.47	0.000204	1.19	181.02	74.49	0.11
1	27864	10-YR	445.00	20.00	27.01	23.09	27.05	0.000247	1.69	263.67	660.20	0.13
1	27864	25-YR	619.00	20.00	27.86	23.53	27.92	0.000283	2.01	308.43	785.24	0.15
1	27864	50-YR	779.00	20.00	28.77	23.87	28.85	0.000276	2.18	356.99	876.09	0.15
1	27864	100-YR	955.00	20.00	29.75	24.19	29.83	0.000264	2.34	408.81	930.14	0.15

HEC-RAS Plan: PC-FU(R) River: Parkers Creek Reach: 1 (Continued)

Reach	River Sta	Profile	Q Total	Min Ch El	W.S. Elev	Crit W.S.	E.G. Elev	E.G. Slope	Vel Chnl	Flow Area	Top Width	Froude # Chl
			(cfs)	(ft)	(ft)	(ft)	(ft)	(ft/ft)	(ft/s)	(sq ft)	(ft)	
1	27742	2-YR	293.00	20.00	25.37		25.41	0.000929	1.69	173.23	93.89	0.22
1	27742	10-YR	556.00	20.00	27.00		27.01	0.000209	1.08	876.32	798.63	0.11
1	27742	25-YR	746.00	20.00	27.86		27.87	0.000086	0.83	1606.75	861.05	0.08
1	27742	50-YR	917.00	20.00	28.80		28.80	0.000041	0.66	2418.02	881.80	0.05
1	27742	100-YR	1090.00	20.00	29.78		29.79	0.000023	0.56	3299.09	902.54	0.04
1	27405	2-YR	293.00	20.00	25.28	21.21	25.30	0.000146	1.22	245.40	60.53	0.10
1	27405	10-YR	556.00	20.00	26.89	21.84	26.94	0.000193	1.70	341.46	73.77	0.12
1	27405	25-YR	746.00	20.00	27.75	22.22	27.81	0.000223	1.99	393.15	120.58	0.13
1	27405	50-YR	917.00	20.00	28.68	22.54	28.75	0.000222	2.15	449.05	134.48	0.13
1	27405	100-YR	1090.00	20.00	29.67	22.84	29.75	0.000211	2.26	508.20	148.74	0.13
1	26948		Culvert									
1	26312	2-YR	293.00	19.00	25.05	20.46	25.08	0.000188	1.19	261.23	177.18	0.09
1	26312	10-YR	556.00	19.00	26.41	21.10	26.45	0.000305	1.75	349.10	894.54	0.12
1	26312	25-YR	746.00	19.00	27.05	21.50	27.11	0.000396	2.12	390.62	1037.11	0.14
1	26312	50-YR	917.00	19.00	27.53	21.83	27.62	0.000475	2.42	422.40	1085.98	0.15
1	26312	100-YR	1090.00	19.00	28.02	22.14	28.13	0.000541	2.69	454.20	1134.88	0.16
1	26272		Bridge									
1	26221	2-YR	293.00	19.00	25.02	20.68	25.04	0.000173	1.13	260.18	82.42	0.10
1	26221	10-YR	556.00	19.00	26.27	21.44	26.32	0.000264	1.65	340.60	494.69	0.12
1	26221	25-YR	746.00	19.00	26.81	21.88	26.87	0.000347	2.01	375.56	719.03	0.14
1	26221	50-YR	917.00	19.00	27.22	22.24	27.26	0.000289	1.92	1173.23	907.27	0.13
1	26221	100-YR	1090.00	19.00	27.59	22.56	27.63	0.000287	1.98	1529.58	1018.11	0.13
1	26062	2-YR	332.00	18.80	24.94		24.99	0.000430	1.75	189.48	42.16	0.15
1	26062	10-YR	609.00	18.80	26.15		26.23	0.000793	2.36	411.72	477.52	0.20
1	26062	25-YR	816.00	18.80	26.70		26.78	0.000880	2.50	750.18	750.23	0.21
1	26062	50-YR	995.00	18.80	27.11		27.18	0.000801	2.53	1077.60	856.70	0.20
1	26062	100-YR	1192.00	18.80	27.49		27.56	0.000735	2.55	1416.86	932.86	0.20
1	25800	2-YR	332.00	18.80	24.85		24.89	0.000322	1.50	368.58	393.70	0.13
1	25800	10-YR	609.00	18.80	26.07		26.10	0.000295	1.64	1206.30	967.04	0.13
1	25800	25-YR	816.00	18.80	26.62		26.65	0.000271	1.68	1768.25	1050.90	0.12
1	25800	50-YR	995.00	18.80	27.03		27.06	0.000259	1.72	2215.83	1134.23	0.12

HEC-RAS Plan: PC-FU(R) River: Parkers Creek Reach: 1 (Continued)

Reach	River Sta	Profile	Q Total (cfs)	Min Ch El (ft)	W.S. Elev (ft)	Crit W.S. (ft)	E.G. Elev (ft)	E.G. Slope (ft/ft)	Vel Chnl (ft/s)	Flow Area (sq ft)	Top Width (ft)	Froude # Chl
1	25800	100-YR	1192.00	18.80	27.42		27.44	0.000255	1.78	2664.10	1220.58	0.12
1	25404	2-YR	332.00	18.80	24.73		24.77	0.000286	1.44	402.88	529.24	0.12
1	25404	10-YR	609.00	18.80	25.97		25.99	0.000234	1.45	1489.41	1127.89	0.11
1	25404	25-YR	816.00	18.80	26.53		26.54	0.000275	1.29	2140.52	1234.58	0.12
1	25404	50-YR	995.00	18.80	26.95		26.96	0.000233	1.28	2670.01	1281.16	0.11
1	25404	100-YR	1192.00	18.80	27.33		27.34	0.000215	1.30	3173.42	1334.93	0.11
1	25124	2-YR	332.00	18.77	24.59		24.65	0.000643	2.09	375.89	595.53	0.17
1	25124	10-YR	609.00	18.77	25.89		25.92	0.000319	1.69	1601.80	1136.15	0.13
1	25124	25-YR	816.00	18.77	26.44		26.46	0.000274	1.67	2252.83	1242.00	0.12
1	25124	50-YR	995.00	18.77	26.87		26.89	0.000241	1.64	2804.09	1304.07	0.11
1	25124	100-YR	1192.00	18.77	27.27		27.28	0.000226	1.65	3325.20	1359.53	0.11
1	24526	2-YR	332.00	18.00	24.22		24.26	0.000627	1.74	373.77	357.39	0.17
1	24526	10-YR	609.00	18.00	25.71		25.72	0.000319	1.41	1079.05	601.57	0.13
1	24526	25-YR	816.00	18.00	26.27		26.28	0.000308	1.51	1455.96	733.92	0.13
1	24526	50-YR	995.00	18.00	26.72		26.73	0.000277	1.53	1794.47	768.71	0.12
1	24526	100-YR	1192.00	18.00	27.11		27.13	0.000266	1.58	2105.51	796.13	0.12
1	24050	2-YR	332.00	17.30	23.86		23.92	0.000806	2.02	214.57	273.89	0.20
1	24050	10-YR	609.00	17.30	25.56		25.58	0.000290	1.40	984.73	550.94	0.12
1	24050	25-YR	816.00	17.30	26.13		26.15	0.000260	1.44	1325.70	624.72	0.12
1	24050	50-YR	995.00	17.30	26.59		26.61	0.000237	1.47	1622.91	658.37	0.12
1	24050	100-YR	1192.00	17.30	26.99		27.01	0.000234	1.54	1892.91	710.45	0.12
1	23635	2-YR	361.00	17.10	23.70		23.73	0.000273	1.35	304.43	193.34	0.12
1	23635	10-YR	662.00	17.10	25.45		25.48	0.000200	1.35	1067.13	629.51	0.11
1	23635	25-YR	882.00	17.10	26.02		26.05	0.000207	1.47	1441.93	680.98	0.11
1	23635	50-YR	1090.00	17.10	26.49		26.52	0.000211	1.57	1767.38	723.16	0.11
1	23635	100-YR	1305.00	17.10	26.89		26.91	0.000220	1.67	2061.85	761.57	0.12
1	23112	2-YR	361.00	17.05	23.24		23.40	0.002172	3.27	112.00	51.78	0.28
1	23112	10-YR	662.00	17.05	25.19		25.27	0.001010	2.68	749.29	535.06	0.20
1	23112	25-YR	882.00	17.05	25.79		25.85	0.000868	2.63	1075.17	556.31	0.19
1	23112	50-YR	1090.00	17.05	26.27		26.32	0.000789	2.63	1343.47	571.12	0.18
1	23112	100-YR	1305.00	17.05	26.67		26.72	0.000765	2.70	1588.42	699.53	0.18

HEC-RAS Plan: PC-FU(R) River: Parkers Creek Reach: 1 (Continued)

Reach	River Sta	Profile	Q Total	Min Ch El	W.S. Elev	Crit W.S.	E.G. Elev	E.G. Slope	Vel Chnl	Flow Area	Top Width	Froude # Chl
			(cfs)	(ft)	(ft)	(ft)	(ft)	(ft/ft)	(ft/s)	(sq ft)	(ft)	
1	22625	2-YR	361.00	15.00	22.26		22.39	0.001948	2.93	123.26	33.95	0.27
1	22625	10-YR	662.00	15.00	24.53		24.67	0.001467	3.09	221.43	60.99	0.25
1	22625	25-YR	882.00	15.00	25.03		25.24	0.001848	3.70	258.72	115.71	0.28
1	22625	50-YR	1090.00	15.00	25.43		25.70	0.002161	4.20	317.63	184.97	0.31
1	22625	100-YR	1305.00	15.00	25.74		26.07	0.002510	4.69	384.84	258.99	0.34
1	22188	2-YR	361.00	14.22	22.04	16.31	22.08	0.000328	1.59	227.26	38.31	0.11
1	22188	10-YR	662.00	14.22	24.27	17.28	24.34	0.000423	2.08	319.32	187.81	0.13
1	22188	25-YR	882.00	14.22	24.66	17.88	24.77	0.000632	2.63	339.35	213.64	0.17
1	22188	50-YR	1090.00	14.22	24.95	18.38	25.10	0.000854	3.13	355.74	247.61	0.19
1	22188	100-YR	1305.00	14.22	25.28	18.87	25.42	0.000841	3.19	684.00	262.59	0.19
1	21825	2-YR	361.00	13.36	21.94		21.98	0.000244	1.53	235.32	35.50	0.11
1	21825	10-YR	662.00	13.36	24.12		24.18	0.000427	2.04	324.34	50.99	0.14
1	21825	25-YR	882.00	13.36	24.42		24.52	0.000710	2.59	340.48	55.66	0.18
1	21825	50-YR	1090.00	13.36	24.61		24.76	0.001034	3.10	351.43	58.62	0.22
1	21825	100-YR	1305.00	13.36	24.83		25.03	0.001397	3.58	364.47	61.96	0.26
1	21432	2-YR	367.00	12.86	21.89		21.91	0.000116	1.14	322.70	51.75	0.08
1	21432	10-YR	672.00	12.86	24.04		24.08	0.000159	1.47	630.79	480.91	0.10
1	21432	25-YR	901.00	12.86	24.30		24.36	0.000244	1.85	760.70	506.19	0.12
1	21432	50-YR	1115.00	12.86	24.45		24.52	0.000340	2.21	835.49	518.62	0.14
1	21432	100-YR	1336.00	12.86	24.62		24.71	0.000438	2.54	924.99	530.38	0.16
1	21390	2-YR	367.00	12.86	21.80	17.35	21.88	0.000555	2.25	162.95	84.69	0.17
1	21390	10-YR	672.00	12.86	24.04	18.57	24.06	0.000258	1.48	1078.51	539.16	0.12
1	21390	25-YR	901.00	12.86	24.30	19.29	24.33	0.000352	1.78	1222.26	556.76	0.14
1	21390	50-YR	1115.00	12.86	24.45	19.82	24.49	0.000465	2.09	1304.38	565.08	0.16
1	21390	100-YR	1336.00	12.86	24.62	20.32	24.67	0.000564	2.35	1401.65	569.77	0.18
1	21349		Culvert									
1	21300	2-YR	367.00	12.86	21.26	16.35	21.32	0.000348	1.89	194.52	75.40	0.13
1	21300	10-YR	672.00	12.86	22.65	17.28	22.69	0.000383	1.63	523.50	363.98	0.13
1	21300	25-YR	901.00	12.86	23.11	17.82	23.16	0.000465	1.91	698.93	397.19	0.15
1	21300	50-YR	1115.00	12.86	23.49	18.28	23.56	0.000521	2.12	868.24	464.06	0.16
1	21300	100-YR	1336.00	12.86	23.84	18.72	23.91	0.000565	2.30	1029.70	483.41	0.17

HEC-RAS Plan: PC-FU(R) River: Parkers Creek Reach: 1 (Continued)

Reach	River Sta	Profile	Q Total	Min Ch El	W.S. Elev	Crit W.S.	E.G. Elev	E.G. Slope	Vel Chnl	Flow Area	Top Width	Froude # Chl
			(cfs)	(ft)	(ft)	(ft)	(ft)	(ft/ft)	(ft/s)	(sq ft)	(ft)	
1	21230	2-YR	367.00	12.50	21.23	16.75	21.28	0.000720	1.91	192.27	48.58	0.17
1	21230	10-YR	672.00	12.50	22.53	17.91	22.63	0.001080	2.54	273.76	406.68	0.21
1	21230	25-YR	901.00	12.50	23.07	18.58	23.12	0.000658	2.14	725.37	526.13	0.17
1	21230	50-YR	1115.00	12.50	23.46	19.13	23.51	0.000598	2.15	944.89	591.02	0.16
1	21230	100-YR	1336.00	12.50	23.81	19.65	23.86	0.000565	2.18	1158.85	649.64	0.16
1	20450	2-YR	367.00	11.92	20.89		20.90	0.000337	1.02	362.38	143.44	0.11
1	20450	10-YR	672.00	11.92	22.19		22.21	0.000293	1.21	594.82	289.67	0.11
1	20450	25-YR	901.00	11.92	22.74		22.77	0.000319	1.39	780.33	395.27	0.12
1	20450	50-YR	1115.00	11.92	23.12		23.16	0.000354	1.55	950.32	561.26	0.13
1	20450	100-YR	1336.00	11.92	23.46		23.50	0.000380	1.68	1172.83	701.45	0.13
1	19831	2-YR	367.00	11.66	20.73		20.74	0.000196	0.99	372.25	117.54	0.10
1	19831	10-YR	672.00	11.66	22.03		22.05	0.000221	1.17	679.13	424.90	0.11
1	19831	25-YR	901.00	11.66	22.59		22.61	0.000219	1.27	949.86	545.22	0.11
1	19831	50-YR	1115.00	11.66	22.96		22.98	0.000227	1.37	1183.21	671.21	0.11
1	19831	100-YR	1336.00	11.66	23.29		23.32	0.000231	1.45	1413.17	722.52	0.11
1	19151	2-YR	367.00	11.43	20.42		20.50	0.000796	2.21	166.80	52.66	0.19
1	19151	10-YR	672.00	11.43	21.68		21.77	0.001022	2.52	472.97	436.46	0.22
1	19151	25-YR	901.00	11.43	22.26		22.32	0.001072	2.44	765.67	585.92	0.23
1	19151	50-YR	1115.00	11.43	22.64		22.70	0.000963	2.47	1018.53	775.99	0.22
1	19151	100-YR	1336.00	11.43	22.99		23.04	0.000841	2.44	1307.04	864.60	0.21
1	18287	2-YR	512.00	11.26	19.94		19.99	0.000479	1.73	295.98	82.67	0.16
1	18287	10-YR	922.00	11.26	21.10		21.17	0.000535	2.18	594.18	425.69	0.17
1	18287	25-YR	1252.00	11.26	21.63		21.70	0.000566	2.40	841.64	495.31	0.18
1	18287	50-YR	1570.00	11.26	21.98		22.06	0.000624	2.62	1020.36	535.57	0.19
1	18287	100-YR	1913.00	11.26	22.32		22.41	0.000678	2.84	1222.46	633.71	0.20
1	17977	2-YR	512.00	11.26	19.76		19.83	0.000547	2.12	295.49	181.81	0.17
1	17977	10-YR	922.00	11.26	20.90		20.99	0.000616	2.60	574.73	369.83	0.19
1	17977	25-YR	1252.00	11.26	21.40		21.50	0.000701	2.93	780.33	444.56	0.20
1	17977	50-YR	1570.00	11.26	21.72		21.83	0.000819	3.27	924.02	474.39	0.22
1	17977	100-YR	1913.00	11.26	22.02		22.15	0.000922	3.58	1072.25	503.38	0.24
1	17681	2-YR	520.00	11.48	19.46	16.01	19.57	0.001473	2.55	203.83	271.54	0.26
1	17681	10-YR	939.00	11.48	20.49	17.22	20.66	0.001923	3.31	289.14	433.77	0.31

HEC-RAS Plan: PC-FU(R) River: Parkers Creek Reach: 1 (Continued)

Reach	River Sta	Profile	Q Total	Min Ch El	W.S. Elev	Crit W.S.	E.G. Elev	E.G. Slope	Vel Chnl	Flow Area	Top Width	Froude # Chl
			(cfs)	(ft)	(ft)	(ft)	(ft)	(ft/ft)	(ft/s)	(sq ft)	(ft)	
1	16813	2-YR	520.00	11.00	18.93	14.70	18.95	0.000286	1.21	838.71	707.92	0.11
1	16813	10-YR	939.00	11.00	19.92	15.70	19.93	0.000228	1.26	1642.25	1196.44	0.10
1	16813	25-YR	1272.00	11.00	20.47	16.33	20.48	0.000213	1.31	2186.86	1382.38	0.10
1	16813	50-YR	1599.00	11.00	20.93	16.87	20.94	0.000189	1.15	3113.82	1519.05	0.09
1	16813	100-YR	1950.00	11.00	21.39	17.42	21.40	0.000168	1.15	3869.22	1783.58	0.09
1	16629	2-YR	520.00	10.50	18.88		18.90	0.000384	1.43	682.89	574.39	0.12
1	16629	10-YR	939.00	10.50	19.89		19.90	0.000229	1.16	1598.96	1167.47	0.10
1	16629	25-YR	1272.00	10.50	20.45		20.45	0.000171	1.09	2327.86	1555.12	0.09
1	16629	50-YR	1599.00	10.50	20.91		20.91	0.000138	1.04	3100.84	1747.11	0.08
1	16629	100-YR	1950.00	10.50	21.37		21.38	0.000114	0.99	3962.41	1953.96	0.07
1	16473	2-YR	520.00	10.50	18.82		18.84	0.000397	1.38	713.23	647.66	0.13
1	16473	10-YR	939.00	10.50	19.86		19.87	0.000240	1.25	1541.85	1048.48	0.10
1	16473	25-YR	1272.00	10.50	20.42		20.43	0.000209	1.26	2280.29	1565.42	0.10
1	16473	50-YR	1599.00	10.50	20.88		20.89	0.000174	1.21	3071.17	1840.75	0.09
1	16473	100-YR	1950.00	10.50	21.35		21.36	0.000138	1.14	4009.87	2186.20	0.08
1	16107	2-YR	522.00	9.95	18.75		18.76	0.000134	0.87	824.77	419.70	0.08
1	16107	10-YR	1001.00	9.95	19.77		19.79	0.000202	1.22	1472.65	805.69	0.10
1	16107	25-YR	1341.00	9.95	20.33		20.35	0.000215	1.35	1936.89	843.45	0.10
1	16107	50-YR	1684.00	9.95	20.80		20.82	0.000226	1.46	2336.09	864.79	0.11
1	16107	100-YR	2057.00	9.95	21.27		21.30	0.000231	1.55	2750.99	883.37	0.11
1	15942	2-YR	522.00	10.00	18.67	14.85	18.71	0.000768	1.90	472.25	386.87	0.17
1	15942	10-YR	1001.00	10.00	19.70	16.22	19.74	0.000623	1.96	1177.57	837.40	0.16
1	15942	25-YR	1341.00	10.00	20.28	16.97	20.30	0.000468	1.84	1671.27	870.51	0.14
1	15942	50-YR	1684.00	10.00	20.75	18.24	20.78	0.000404	1.81	2089.19	897.96	0.14
1	15942	100-YR	2057.00	10.00	21.23	18.54	21.25	0.000355	1.79	2523.58	916.65	0.13
1	15895		Culvert									
1	15845	2-YR	522.00	9.80	18.65	14.68	18.69	0.000665	1.87	500.82	441.89	0.16
1	15845	10-YR	1001.00	9.80	19.70	16.51	19.73	0.000635	1.83	1226.53	853.39	0.16
1	15845	25-YR	1341.00	9.80	20.28	17.88	20.30	0.000457	1.70	1726.12	874.34	0.14
1	15845	50-YR	1684.00	9.80	20.74	18.25	20.76	0.000395	1.69	2134.40	890.43	0.13
1	15845	100-YR	2057.00	9.80	21.22	18.58	21.23	0.000346	1.68	2561.83	906.20	0.13

HEC-RAS Plan: PC-FU(R) River: Parkers Creek Reach: 1 (Continued)

Reach	River Sta	Profile	Q Total	Min Ch El	W.S. Elev	Crit W.S.	E.G. Elev	E.G. Slope	Vel Chnl	Flow Area	Top Width	Froude # Chl
			(cfs)	(ft)	(ft)	(ft)	(ft)	(ft/ft)	(ft/s)	(sq ft)	(ft)	
1	15748	2-YR	522.00	9.50	18.59		18.62	0.000809	1.79	562.71	575.10	0.17
1	15748	10-YR	1001.00	9.50	19.65		19.67	0.000479	1.66	1274.71	725.22	0.14
1	15748	25-YR	1341.00	9.50	20.24		20.26	0.000392	1.64	1710.52	755.74	0.13
1	15748	50-YR	1684.00	9.50	20.70		20.72	0.000365	1.68	2067.78	779.80	0.13
1	15748	100-YR	2057.00	9.50	21.18		21.20	0.000340	1.71	2446.88	810.77	0.12
1	15588	2-YR	522.00	9.40	18.38	14.08	18.48	0.000764	2.73	349.21	506.37	0.19
1	15588	10-YR	1001.00	9.40	19.56	15.52	19.60	0.000459	2.36	990.51	667.08	0.15
1	15588	25-YR	1341.00	9.40	20.19	16.37	20.21	0.000308	1.67	1533.66	716.77	0.12
1	15588	50-YR	1684.00	9.40	20.66	18.77	20.68	0.000283	1.68	1877.43	742.08	0.12
1	15588	100-YR	2057.00	9.40	21.14	18.98	21.16	0.000260	1.69	2240.28	764.00	0.11
1	15557		Culvert									
1	15522	2-YR	522.00	9.69	17.67	13.96	17.95	0.001693	4.18	124.89	77.56	0.29
1	15522	10-YR	1001.00	9.69	19.54	15.52	19.57	0.000534	1.87	942.86	627.82	0.15
1	15522	25-YR	1341.00	9.69	20.17	16.47	20.20	0.000395	1.75	1363.11	693.28	0.13
1	15522	50-YR	1684.00	9.69	20.65	17.35	20.67	0.000350	1.75	1699.93	717.29	0.13
1	15522	100-YR	2057.00	9.69	21.13	18.00	21.15	0.000314	1.74	2050.27	738.79	0.12
1	15417	2-YR	522.00	9.91	17.68		17.74	0.000610	2.02	314.70	193.34	0.16
1	15417	10-YR	1001.00	9.91	19.48		19.52	0.000432	1.90	932.42	535.61	0.14
1	15417	25-YR	1341.00	9.91	20.12		20.15	0.000371	1.86	1347.12	666.21	0.13
1	15417	50-YR	1684.00	9.91	20.60		20.63	0.000331	1.85	1670.55	673.11	0.13
1	15417	100-YR	2057.00	9.91	21.09		21.12	0.000300	1.84	1999.38	683.33	0.12
1	14659	2-YR	522.00	9.40	16.90		17.03	0.001569	2.86	191.61	74.39	0.25
1	14659	10-YR	1001.00	9.40	18.78		18.92	0.001866	3.15	515.86	334.44	0.28
1	14659	25-YR	1341.00	9.40	19.51		19.64	0.001545	3.21	777.26	377.57	0.26
1	14659	50-YR	1684.00	9.40	20.03		20.16	0.001495	3.38	977.33	405.51	0.26
1	14659	100-YR	2057.00	9.40	20.54		20.68	0.001427	3.52	1209.26	484.40	0.26
1	13848	2-YR	522.00	9.03	16.15		16.22	0.000662	2.15	242.72	56.35	0.18
1	13848	10-YR	1001.00	9.03	17.70		17.82	0.001023	2.83	407.33	202.64	0.23
1	13848	25-YR	1341.00	9.03	18.44		18.56	0.001159	2.96	600.04	295.31	0.25
1	13848	50-YR	1684.00	9.03	19.03		19.15	0.001042	3.05	796.91	365.91	0.24
1	13848	100-YR	2057.00	9.03	19.66		19.77	0.000895	3.05	1079.80	531.91	0.23

HEC-RAS Plan: PC-FU(R) River: Parkers Creek Reach: 1 (Continued)

Reach	River Sta	Profile	Q Total	Min Ch El	W.S. Elev	Crit W.S.	E.G. Elev	E.G. Slope	Vel Chnl	Flow Area	Top Width	Froude # Chl
			(cfs)	(ft)	(ft)	(ft)	(ft)	(ft/ft)	(ft/s)	(sq ft)	(ft)	
1	13253	2-YR	522.00	8.65	15.48		15.61	0.001827	2.82	212.16	143.31	0.27
1	13253	10-YR	1001.00	8.65	16.97		17.10	0.001448	3.20	579.79	329.11	0.25
1	13253	25-YR	1341.00	8.65	17.70		17.83	0.001305	3.33	839.86	375.53	0.25
1	13253	50-YR	1684.00	8.65	18.38		18.50	0.001169	3.40	1107.53	429.08	0.24
1	13253	100-YR	2057.00	8.65	19.10		19.21	0.001008	3.39	1440.94	487.90	0.23
1	12411	2-YR	522.00	8.39	14.66		14.71	0.000672	1.75	355.93	191.83	0.17
1	12411	10-YR	1001.00	8.39	16.34		16.39	0.000532	2.02	771.59	298.89	0.16
1	12411	25-YR	1341.00	8.39	17.08		17.15	0.000538	2.23	1006.43	323.78	0.16
1	12411	50-YR	1684.00	8.39	17.79		17.86	0.000523	2.37	1241.65	340.06	0.16
1	12411	100-YR	2057.00	8.39	18.56		18.63	0.000489	2.46	1511.76	359.46	0.16
1	11694	2-YR	556.00	8.04	13.95		14.04	0.001316	2.40	234.84	82.16	0.21
1	11694	10-YR	1099.00	8.04	15.64		15.75	0.001557	2.86	494.88	199.84	0.24
1	11694	25-YR	1462.00	8.04	16.38		16.51	0.001511	3.12	651.05	221.76	0.24
1	11694	50-YR	1833.00	8.04	17.10		17.25	0.001416	3.29	827.56	271.81	0.24
1	11694	100-YR	2246.00	8.04	17.94		18.08	0.001231	3.35	1059.95	286.81	0.23
1	10915	2-YR	556.00	7.04	12.92		13.00	0.001351	2.17	256.80	80.46	0.21
1	10915	10-YR	1099.00	7.04	14.54		14.63	0.001309	2.50	572.14	246.94	0.22
1	10915	25-YR	1462.00	7.04	15.41		15.50	0.001091	2.59	795.62	268.26	0.20
1	10915	50-YR	1833.00	7.04	16.26		16.35	0.000915	2.63	1030.47	282.60	0.19
1	10915	100-YR	2246.00	7.04	17.24		17.32	0.000742	2.62	1314.03	297.66	0.18
1	10450	2-YR	556.00	6.45	12.26		12.35	0.001408	2.46	227.00	100.89	0.22
1	10450	10-YR	1099.00	6.45	13.94		14.03	0.001208	2.63	725.57	374.22	0.21
1	10450	25-YR	1462.00	6.45	14.96		15.03	0.000846	2.51	1133.80	423.34	0.18
1	10450	50-YR	1833.00	6.45	15.92		15.98	0.000631	2.39	1548.57	443.50	0.16
1	10450	100-YR	2246.00	6.45	16.98		17.03	0.000476	2.29	2058.66	604.25	0.14
1	10164	2-YR	556.00	6.00	11.87		11.95	0.001375	2.29	258.44	181.22	0.21
1	10164	10-YR	1099.00	6.00	13.83		13.85	0.000342	1.33	1356.14	766.23	0.11
1	10164	25-YR	1462.00	6.00	14.92		14.93	0.000167	1.08	2363.91	1067.68	0.08
1	10164	50-YR	1833.00	6.00	15.90		15.90	0.000102	0.94	3479.72	1179.07	0.07
1	10164	100-YR	2246.00	6.00	16.97		16.98	0.000064	0.82	4765.57	1219.78	0.05
1	10062	2-YR	556.00	5.92	11.72	8.46	11.81	0.001285	2.42	229.28	65.16	0.23
1	10062	10-YR	1099.00	5.92	13.60	9.65	13.75	0.001215	3.10	354.86	682.48	0.24

HEC-RAS Plan: PC-FU(R) River: Parkers Creek Reach: 1 (Continued)

Reach	River Sta	Profile	Q Total	Min Ch El	W.S. Elev	Crit W.S.	E.G. Elev	E.G. Slope	Vel Chnl	Flow Area	Top Width	Froude # Chl
			(cfs)	(ft)	(ft)	(ft)	(ft)	(ft/ft)	(ft/s)	(sq ft)	(ft)	
1	10062	25-YR	1462.00	5.92	14.66	10.28	14.84	0.001174	3.44	425.55	973.06	0.24
1	10062	50-YR	1833.00	5.92	15.60	10.85	15.81	0.001164	3.75	488.58	1154.83	0.24
1	10062	100-YR	2246.00	5.92	16.63	11.46	16.88	0.001122	4.02	558.07	1245.35	0.25
1	10006		Culvert									
1	9950	2-YR	556.00	4.46	11.59	7.02	11.65	0.000447	1.95	284.83	267.16	0.15
1	9950	10-YR	1099.00	4.46	13.16	8.17	13.30	0.000764	3.01	365.03	896.58	0.20
1	9950	25-YR	1462.00	4.46	13.96	8.78	14.16	0.000949	3.60	405.91	1092.79	0.22
1	9950	50-YR	1833.00	4.46	14.60	9.34	14.87	0.001153	4.18	438.53	1169.86	0.25
1	9950	100-YR	2246.00	4.46	15.28	9.91	15.63	0.001343	4.75	473.15	1223.39	0.27
1	9751	2-YR	556.00	4.00	11.55		11.57	0.000220	1.15	1120.03	926.19	0.10
1	9751	10-YR	1099.00	4.00	13.18		13.19	0.000124	1.07	3010.42	1391.49	0.08
1	9751	25-YR	1462.00	4.00	14.02		14.02	0.000093	1.01	4235.08	1491.48	0.07
1	9751	50-YR	1833.00	4.00	14.69		14.70	0.000080	1.00	5285.46	1613.21	0.06
1	9751	100-YR	2246.00	4.00	15.42		15.42	0.000070	0.99	6532.72	1843.26	0.06
1	8660	2-YR	646.00	3.95	11.08		11.12	0.000842	1.74	532.35	216.51	0.15
1	8660	10-YR	1343.00	3.95	12.81		12.87	0.000891	2.24	940.17	253.29	0.16
1	8660	25-YR	1812.00	3.95	13.69		13.76	0.000924	2.49	1169.90	270.26	0.17
1	8660	50-YR	2272.00	3.95	14.38		14.46	0.000985	2.74	1360.29	284.06	0.17
1	8660	100-YR	2797.00	3.95	15.10		15.20	0.001044	3.00	1576.02	308.10	0.18
1	7695	2-YR	646.00	3.60	10.24		10.29	0.000920	1.85	560.37	237.63	0.15
1	7695	10-YR	1343.00	3.60	11.92		11.98	0.000987	2.37	1158.50	455.39	0.17
1	7695	25-YR	1812.00	3.60	12.78		12.85	0.000998	2.60	1622.51	608.39	0.17
1	7695	50-YR	2272.00	3.60	13.49		13.56	0.000915	2.66	2063.39	629.02	0.17
1	7695	100-YR	2797.00	3.60	14.25		14.32	0.000833	2.70	2548.94	649.58	0.16
1	6792	2-YR	646.00	3.50	9.37		9.42	0.000983	1.87	495.40	235.87	0.16
1	6792	10-YR	1343.00	3.50	10.95		11.03	0.001124	2.47	960.76	331.98	0.18
1	6792	25-YR	1812.00	3.50	11.81		11.90	0.001114	2.69	1258.62	360.58	0.18
1	6792	50-YR	2272.00	3.50	12.56		12.65	0.001099	2.87	1538.01	386.48	0.19
1	6792	100-YR	2797.00	3.50	13.36		13.46	0.001080	3.05	1861.46	426.48	0.19
1	6134	2-YR	646.00	3.50	8.33		8.42	0.002562	2.67	403.93	292.93	0.25
1	6134	10-YR	1343.00	3.50	10.00		10.09	0.001801	2.90	922.97	324.94	0.22

HEC-RAS Plan: PC-FU(R) River: Parkers Creek Reach: 1 (Continued)

Reach	River Sta	Profile	Q Total	Min Ch El	W.S. Elev	Crit W.S.	E.G. Elev	E.G. Slope	Vel Chnl	Flow Area	Top Width	Froude # Chl
			(cfs)	(ft)	(ft)	(ft)	(ft)	(ft/ft)	(ft/s)	(sq ft)	(ft)	
1	6134	25-YR	1812.00	3.50	10.93		11.02	0.001554	3.00	1231.43	337.13	0.21
1	6134	50-YR	2272.00	3.50	11.72		11.81	0.001435	3.13	1501.09	347.44	0.21
1	6134	100-YR	2797.00	3.50	12.56		12.65	0.001329	3.25	1796.23	358.04	0.21
1	5784	2-YR	632.00	3.08	7.86		7.90	0.000885	1.70	611.65	345.56	0.15
1	5784	10-YR	1309.00	3.08	9.63		9.68	0.000723	1.97	1267.10	389.51	0.14
1	5784	25-YR	1782.00	3.08	10.60		10.64	0.000678	2.11	1650.39	405.94	0.14
1	5784	50-YR	2242.00	3.08	11.40		11.45	0.000659	2.24	1981.68	418.21	0.14
1	5784	100-YR	2764.00	3.08	12.25		12.31	0.000634	2.36	2343.76	430.30	0.14
1	5727	2-YR	632.00	3.08	7.73	4.90	7.82	0.001686	2.36	271.97	120.96	0.21
1	5727	10-YR	1309.00	3.08	9.39	5.92	9.57	0.002261	3.44	390.94	213.71	0.25
1	5727	25-YR	1782.00	3.08	10.26	6.50	10.51	0.002578	4.04	454.19	238.35	0.28
1	5727	50-YR	2242.00	3.08	10.98	7.00	11.30	0.002876	4.57	505.74	296.58	0.30
1	5727	100-YR	2764.00	3.08	11.74	7.50	12.14	0.003128	5.09	560.32	323.65	0.32
1	5692		Culvert									
1	5652	2-YR	632.00	2.11	7.65	4.75	7.77	0.002435	2.76	229.84	79.05	0.25
1	5652	10-YR	1309.00	2.11	9.18	6.06	9.44	0.003461	4.10	324.40	128.29	0.31
1	5652	25-YR	1782.00	2.11	9.93	6.76	10.30	0.004143	4.90	371.22	158.95	0.35
1	5652	50-YR	2242.00	2.11	10.50	7.32	10.99	0.004898	5.64	406.06	180.72	0.38
1	5652	100-YR	2764.00	2.11	11.04	7.87	11.68	0.005742	6.43	439.71	214.19	0.42
1	5589	2-YR	632.00	2.11	7.61		7.65	0.000807	1.73	429.50	174.42	0.15
1	5589	10-YR	1309.00	2.11	9.16		9.24	0.001041	2.40	748.04	285.62	0.17
1	5589	25-YR	1782.00	2.11	9.95		10.04	0.001134	2.72	1012.83	400.17	0.18
1	5589	50-YR	2242.00	2.11	10.55		10.66	0.001212	2.98	1266.20	441.88	0.19
1	5589	100-YR	2764.00	2.11	11.15		11.27	0.001278	3.23	1543.30	488.11	0.20
1	5229	2-YR	661.00	1.61	7.22		7.28	0.001326	2.19	463.94	230.96	0.19
1	5229	10-YR	1376.00	1.61	8.68		8.78	0.001552	2.88	833.24	293.05	0.21
1	5229	25-YR	1897.00	1.61	9.42		9.54	0.001708	3.28	1067.98	340.43	0.23
1	5229	50-YR	2401.00	1.61	9.97		10.11	0.001889	3.64	1262.87	370.35	0.24
1	5229	100-YR	2973.00	1.61	10.52		10.68	0.002053	3.98	1473.21	398.03	0.25
1	2851	2-YR	661.00	0.40	4.60		4.63	0.000946	1.40	760.81	631.79	0.15
1	2851	10-YR	1376.00	0.40	5.56		5.60	0.001161	1.74	1688.73	1158.46	0.17

HEC-RAS Plan: PC-FU(R) River: Parkers Creek Reach: 1 (Continued)

Reach	River Sta	Profile	Q Total	Min Ch El	W.S. Elev	Crit W.S.	E.G. Elev	E.G. Slope	Vel Chnl	Flow Area	Top Width	Froude # Chl
			(cfs)	(ft)	(ft)	(ft)	(ft)	(ft/ft)	(ft/s)	(sq ft)	(ft)	
1	2851	25-YR	1897.00	0.40	5.99		6.02	0.001284	1.86	2210.27	1296.97	0.18
1	2851	50-YR	2401.00	0.40	6.33		6.37	0.001323	2.01	2663.49	1387.68	0.18
1	2851	100-YR	2973.00	0.40	6.63		6.67	0.001397	2.18	3086.10	1420.79	0.19
1	327	2-YR	661.00	-2.00	2.92	0.79	2.93	0.000500	1.13	2130.98	1902.78	0.11
1	327	10-YR	1376.00	-2.00	3.75	2.18	3.75	0.000500	1.03	4206.39	3363.21	0.11
1	327	25-YR	1897.00	-2.00	4.10	2.33	4.11	0.000500	1.04	5501.27	4015.77	0.11
1	327	50-YR	2401.00	-2.00	4.43	2.50	4.43	0.000500	1.06	6874.33	4377.01	0.11
1	327	100-YR	2973.00	-2.00	4.70	2.57	4.70	0.000501	0.98	8074.37	4637.02	0.11

**PRIMARY SYSTEM
ALTERNATIVES :
HEC-RAS OUTPUT**

Parkers Creek - Alternative 1

HEC-RAS Plan: Alt1 River: Parkers Creek Reach: 1

Reach	River Sta	Profile	Q Total (cfs)	Min Ch El (ft)	W.S. Elev (ft)	Crit W.S. (ft)	E.G. Elev (ft)	E.G. Slope (ft/ft)	Vel Chnl (ft/s)	Flow Area (sq ft)	Top Width (ft)	Froude # Chl
1	29594	2-YR	5.00	22.50	23.10	23.10	23.25	0.036554	3.11	1.61	5.39	1.01
1	29594	10-YR	13.00	22.50	24.77		24.78	0.000190	0.55	25.99	42.76	0.09
1	29594	25-YR	20.00	22.50	25.54		25.54	0.000071	0.41	67.26	65.33	0.06
1	29594	50-YR	27.00	22.50	26.04		26.04	0.000049	0.37	104.95	89.93	0.05
1	29594	100-YR	36.00	22.50	26.46		26.46	0.000043	0.36	149.08	120.06	0.05
1	29005	2-YR	5.00	21.00	23.04	21.63	23.04	0.000070	0.31	16.20	15.92	0.05
1	29005	10-YR	13.00	21.00	24.75	21.93	24.75	0.000018	0.24	55.08	29.36	0.03
1	29005	25-YR	20.00	21.00	25.52	22.10	25.52	0.000016	0.25	89.59	68.83	0.03
1	29005	50-YR	27.00	21.00	26.03	22.24	26.03	0.000016	0.25	132.28	902.02	0.03
1	29005	100-YR	36.00	21.00	26.45	22.39	26.45	0.000016	0.27	178.66	950.81	0.03
1	28619	2-YR	5.00	20.00	23.02		23.02	0.000024	0.20	24.71	16.35	0.03
1	28619	10-YR	13.00	20.00	24.75		24.75	0.000014	0.21	60.98	25.69	0.02
1	28619	25-YR	20.00	20.00	25.52		25.52	0.000015	0.24	82.36	29.86	0.03
1	28619	50-YR	27.00	20.00	26.02		26.02	0.000019	0.27	100.18	59.28	0.03
1	28619	100-YR	36.00	20.00	26.44		26.44	0.000024	0.31	134.37	129.09	0.03
1	28069	2-YR	5.00	19.52	23.02		23.02	0.000002	0.09	55.12	20.71	0.01
1	28069	10-YR	13.00	19.52	24.74		24.74	0.000004	0.14	94.64	25.11	0.01
1	28069	25-YR	20.00	19.52	25.51		25.51	0.000005	0.17	114.70	27.07	0.01
1	28069	50-YR	27.00	19.52	26.01		26.01	0.000007	0.21	128.88	35.96	0.02
1	28069	100-YR	36.00	19.52	26.43		26.43	0.000011	0.25	167.51	167.96	0.02
1	27993	2-YR	5.00	20.00	23.02	20.49	23.02	0.000003	0.07	67.01	45.21	0.01
1	27993	10-YR	13.00	20.00	24.74	20.72	24.74	0.000002	0.08	169.52	82.93	0.01
1	27993	25-YR	20.00	20.00	25.51	20.86	25.51	0.000002	0.09	219.49	127.41	0.01
1	27993	50-YR	27.00	20.00	26.01	20.96	26.01	0.000002	0.11	252.09	354.42	0.01
1	27993	100-YR	36.00	20.00	26.43	21.08	26.43	0.000002	0.13	279.18	738.65	0.01
1	27925		Culvert									
1	27864	2-YR	5.00	20.00	23.02	20.51	23.02	0.000003	0.08	59.83	39.21	0.01
1	27864	10-YR	13.00	20.00	24.74	20.75	24.74	0.000002	0.09	143.49	62.36	0.01
1	27864	25-YR	20.00	20.00	25.51	20.90	25.51	0.000002	0.11	184.23	76.27	0.01
1	27864	50-YR	27.00	20.00	26.01	21.01	26.01	0.000002	0.13	210.79	131.38	0.01
1	27864	100-YR	36.00	20.00	26.43	21.14	26.43	0.000002	0.15	232.86	217.76	0.01

HEC-RAS Plan: Alt1 River: Parkers Creek Reach: 1 (Continued)

Reach	River Sta	Profile	Q Total	Min Ch El	W.S. Elev	Crit W.S.	E.G. Elev	E.G. Slope	Vel Chnl	Flow Area	Top Width	Froude # Chl
			(cfs)	(ft)	(ft)	(ft)	(ft)	(ft/ft)	(ft/s)	(sq ft)	(ft)	
1	27742	2-YR	67.00	20.00	22.96		22.99	0.000841	1.38	48.44	32.77	0.20
1	27742	10-YR	148.00	20.00	24.70		24.73	0.000354	1.20	123.58	54.33	0.14
1	27742	25-YR	209.00	20.00	25.48		25.50	0.000414	1.14	183.36	98.08	0.15
1	27742	50-YR	263.00	20.00	25.98		26.00	0.000333	1.09	272.83	326.10	0.13
1	27742	100-YR	326.00	20.00	26.40		26.42	0.000242	1.00	451.05	555.21	0.12
1	27405	2-YR	67.00	20.00	22.92	20.46	22.92	0.000063	0.54	123.16	46.52	0.06
1	27405	10-YR	148.00	20.00	24.67	20.77	24.68	0.000059	0.71	211.17	56.05	0.06
1	27405	25-YR	209.00	20.00	25.44	20.97	25.45	0.000067	0.84	254.36	61.66	0.07
1	27405	50-YR	263.00	20.00	25.94	21.12	25.95	0.000076	0.96	284.16	65.34	0.07
1	27405	100-YR	326.00	20.00	26.35	21.30	26.37	0.000090	1.10	309.04	68.57	0.08
1	26948		Culvert									
1	26312	2-YR	67.00	19.00	22.88	19.70	22.88	0.000051	0.45	147.27	43.10	0.04
1	26312	10-YR	148.00	19.00	24.60	20.02	24.61	0.000065	0.66	231.77	65.68	0.05
1	26312	25-YR	209.00	19.00	25.33	20.22	25.34	0.000080	0.80	279.24	256.36	0.06
1	26312	50-YR	263.00	19.00	25.80	20.38	25.81	0.000096	0.92	309.68	584.50	0.07
1	26312	100-YR	326.00	19.00	26.17	20.55	26.18	0.000119	1.07	333.57	794.21	0.07
1	26272		Bridge									
1	26221	2-YR	67.00	19.00	22.87	19.67	22.87	0.000061	0.49	135.64	50.21	0.05
1	26221	10-YR	148.00	19.00	24.59	20.11	24.59	0.000062	0.63	233.94	75.29	0.06
1	26221	25-YR	209.00	19.00	25.31	20.37	25.32	0.000071	0.75	278.47	87.55	0.06
1	26221	50-YR	263.00	19.00	25.77	20.57	25.78	0.000081	0.86	307.83	192.24	0.07
1	26221	100-YR	326.00	19.00	26.12	20.79	26.14	0.000100	0.99	330.73	376.86	0.08
1	26062	2-YR	113.00	18.80	22.83		22.84	0.000237	1.04	108.65	34.39	0.10
1	26062	10-YR	241.00	18.80	24.53		24.56	0.000293	1.40	172.70	40.67	0.12
1	26062	25-YR	334.00	18.80	25.24		25.28	0.000363	1.65	202.38	43.27	0.13
1	26062	50-YR	414.00	18.80	25.68		25.74	0.000476	1.85	250.94	198.47	0.15
1	26062	100-YR	505.00	18.80	26.02		26.09	0.000540	2.05	354.04	418.75	0.17
1	25800	2-YR	113.00	18.80	22.77		22.79	0.000213	0.97	116.12	38.91	0.10
1	25800	10-YR	241.00	18.80	24.47		24.49	0.000236	1.24	251.72	199.23	0.11
1	25800	25-YR	334.00	18.80	25.18		25.20	0.000239	1.33	519.04	557.22	0.11
1	25800	50-YR	414.00	18.80	25.62		25.65	0.000229	1.36	810.72	746.47	0.11

HEC-RAS Plan: Alt1 River: Parkers Creek Reach: 1 (Continued)

Reach	River Sta	Profile	Q Total	Min Ch El	W.S. Elev	Crit W.S.	E.G. Elev	E.G. Slope	Vel Chnl	Flow Area	Top Width	Froude # Chl
			(cfs)	(ft)	(ft)	(ft)	(ft)	(ft/ft)	(ft/s)	(sq ft)	(ft)	
1	25800	100-YR	505.00	18.80	25.96		25.99	0.000232	1.44	1102.03	942.13	0.11
1	25404	2-YR	113.00	18.80	22.69		22.70	0.000208	0.94	120.66	42.46	0.10
1	25404	10-YR	241.00	18.80	24.38		24.41	0.000210	1.18	269.80	298.98	0.10
1	25404	25-YR	334.00	18.80	25.09		25.12	0.000197	1.25	629.90	734.86	0.10
1	25404	50-YR	414.00	18.80	25.54		25.56	0.000179	1.25	1024.38	977.24	0.10
1	25404	100-YR	505.00	18.80	25.89		25.90	0.000176	1.27	1392.46	1116.12	0.10
1	25124	2-YR	113.00	18.77	22.59		22.62	0.000425	1.36	83.30	26.87	0.14
1	25124	10-YR	241.00	18.77	24.27		24.32	0.000484	1.76	226.60	388.14	0.15
1	25124	25-YR	334.00	18.77	25.01		25.04	0.000371	1.65	692.82	871.70	0.13
1	25124	50-YR	414.00	18.77	25.48		25.50	0.000277	1.50	1149.46	1046.55	0.12
1	25124	100-YR	505.00	18.77	25.83		25.85	0.000241	1.46	1527.00	1121.87	0.11
1	24526	2-YR	113.00	18.00	22.23		22.27	0.000865	1.57	75.17	50.86	0.19
1	24526	10-YR	241.00	18.00	24.01		24.03	0.000448	1.44	300.64	320.04	0.14
1	24526	25-YR	334.00	18.00	24.83		24.84	0.000276	1.23	619.17	455.74	0.12
1	24526	50-YR	414.00	18.00	25.34		25.35	0.000225	1.16	868.15	538.34	0.11
1	24526	100-YR	505.00	18.00	25.69		25.70	0.000223	1.18	1070.82	599.24	0.11
1	24050	2-YR	113.00	17.30	21.84		21.88	0.000764	1.53	74.06	32.98	0.18
1	24050	10-YR	241.00	17.30	23.78		23.81	0.000467	1.52	195.79	232.52	0.15
1	24050	25-YR	334.00	17.30	24.69		24.71	0.000281	1.26	552.03	468.08	0.12
1	24050	50-YR	414.00	17.30	25.23		25.24	0.000209	1.12	815.01	502.39	0.10
1	24050	100-YR	505.00	17.30	25.59		25.60	0.000190	1.14	1004.02	555.49	0.10
1	23635	2-YR	172.00	17.10	21.71		21.73	0.000236	1.09	157.19	48.21	0.11
1	23635	10-YR	344.00	17.10	23.65		23.68	0.000254	1.30	294.95	181.47	0.11
1	23635	25-YR	454.00	17.10	24.59		24.61	0.000222	1.25	597.85	455.88	0.11
1	23635	50-YR	556.00	17.10	25.14		25.16	0.000189	1.25	881.73	554.28	0.10
1	23635	100-YR	671.00	17.10	25.50		25.52	0.000197	1.34	1096.41	633.68	0.11
1	23112	2-YR	172.00	17.05	21.34		21.44	0.002056	2.62	65.55	21.08	0.26
1	23112	10-YR	344.00	17.05	23.22		23.38	0.001990	3.12	111.30	48.27	0.27
1	23112	25-YR	454.00	17.05	24.23		24.35	0.001511	2.98	299.61	388.61	0.24
1	23112	50-YR	556.00	17.05	24.88		24.96	0.001032	2.63	585.21	491.46	0.20
1	23112	100-YR	671.00	17.05	25.25		25.32	0.000966	2.64	779.12	537.25	0.19

HEC-RAS Plan: Alt1 River: Parkers Creek Reach: 1 (Continued)

Reach	River Sta	Profile	Q Total	Min Ch El	W.S. Elev	Crit W.S.	E.G. Elev	E.G. Slope	Vel Chnl	Flow Area	Top Width	Froude # Chl
			(cfs)	(ft)	(ft)	(ft)	(ft)	(ft/ft)	(ft/s)	(sq ft)	(ft)	
1	22625	2-YR	172.00	15.00	20.20		20.32	0.002617	2.72	63.28	24.33	0.30
1	22625	10-YR	344.00	15.00	22.38		22.49	0.001622	2.70	127.32	34.51	0.25
1	22625	25-YR	454.00	15.00	23.55		23.66	0.001313	2.64	172.13	43.66	0.23
1	22625	50-YR	556.00	15.00	24.29		24.41	0.001227	2.73	207.75	55.24	0.22
1	22625	100-YR	671.00	15.00	24.60		24.74	0.001433	3.08	225.90	62.76	0.25
1	22188	2-YR	172.00	14.22	20.04	15.51	20.06	0.000215	1.11	155.50	33.59	0.09
1	22188	10-YR	344.00	14.22	22.19	16.24	22.23	0.000277	1.48	233.19	38.68	0.11
1	22188	25-YR	454.00	14.22	23.36	16.64	23.40	0.000292	1.62	280.07	111.84	0.11
1	22188	50-YR	556.00	14.22	24.09	16.96	24.14	0.000323	1.79	310.94	175.86	0.12
1	22188	100-YR	671.00	14.22	24.34	17.31	24.41	0.000420	2.09	322.99	192.82	0.13
1	21825	2-YR	172.00	13.36	19.98		20.00	0.000137	1.01	169.50	31.82	0.08
1	21825	10-YR	344.00	13.36	22.11		22.14	0.000207	1.43	241.36	35.82	0.10
1	21825	25-YR	454.00	13.36	23.27		23.31	0.000249	1.59	285.21	42.01	0.11
1	21825	50-YR	556.00	13.36	23.98		24.02	0.000309	1.75	317.34	48.82	0.12
1	21825	100-YR	671.00	13.36	24.19		24.26	0.000432	2.04	328.21	52.15	0.14
1	21432	2-YR	184.00	12.86	19.95		19.96	0.000075	0.80	229.09	44.88	0.06
1	21432	10-YR	368.00	12.86	22.06		22.08	0.000108	1.11	331.74	52.37	0.08
1	21432	25-YR	488.00	12.86	23.21		23.23	0.000128	1.24	394.67	72.50	0.09
1	21432	50-YR	595.00	12.86	23.91		23.94	0.000134	1.34	570.98	447.38	0.09
1	21432	100-YR	715.00	12.86	24.11		24.15	0.000173	1.54	664.20	489.69	0.10
1	21390	2-YR	184.00	12.86	19.89	16.27	19.94	0.000565	1.74	105.91	30.18	0.16
1	21390	10-YR	368.00	12.86	21.98	17.35	22.05	0.000501	2.19	168.32	129.56	0.16
1	21390	25-YR	488.00	12.86	23.11	17.89	23.20	0.000477	2.41	202.34	475.89	0.16
1	21390	50-YR	595.00	12.86	23.91	18.30	23.93	0.000234	1.38	1009.63	534.98	0.11
1	21390	100-YR	715.00	12.86	24.11	18.72	24.13	0.000271	1.53	1115.77	541.41	0.12
1	21349		Culvert									
1	21300	2-YR	184.00	12.86	19.79	15.52	19.81	0.000207	1.22	150.26	58.44	0.10
1	21300	10-YR	368.00	12.86	21.43	16.35	21.49	0.000321	1.84	199.65	77.60	0.13
1	21300	25-YR	488.00	12.86	22.11	16.75	22.14	0.000304	1.37	365.90	176.20	0.11
1	21300	50-YR	595.00	12.86	22.55	17.07	22.58	0.000328	1.49	486.88	353.21	0.12
1	21300	100-YR	715.00	12.86	22.81	17.38	22.85	0.000378	1.66	583.54	376.18	0.13

HEC-RAS Plan: Alt1 River: Parkers Creek Reach: 1 (Continued)

Reach	River Sta	Profile	Q Total	Min Ch El	W.S. Elev	Crit W.S.	E.G. Elev	E.G. Slope	Vel Chnl	Flow Area	Top Width	Froude # Chl
			(cfs)	(ft)	(ft)	(ft)	(ft)	(ft/ft)	(ft/s)	(sq ft)	(ft)	
1	21230	2-YR	184.00	12.50	19.76	15.72	19.79	0.000470	1.42	129.54	36.71	0.13
1	21230	10-YR	368.00	12.50	21.40	16.75	21.46	0.000648	1.83	200.94	63.29	0.16
1	21230	25-YR	488.00	12.50	22.03	17.26	22.10	0.000818	2.08	234.51	246.79	0.18
1	21230	50-YR	595.00	12.50	22.45	17.66	22.53	0.000902	2.29	265.84	390.02	0.19
1	21230	100-YR	715.00	12.50	22.76	18.05	22.81	0.000635	2.02	575.27	452.54	0.16
1	20450	2-YR	184.00	11.92	19.50		19.51	0.000269	0.93	198.31	73.14	0.10
1	20450	10-YR	368.00	11.92	21.13		21.14	0.000257	0.93	397.81	147.88	0.10
1	20450	25-YR	488.00	11.92	21.76		21.77	0.000235	1.00	495.47	168.27	0.10
1	20450	50-YR	595.00	11.92	22.17		22.19	0.000233	1.08	590.73	287.65	0.10
1	20450	100-YR	715.00	11.92	22.49		22.51	0.000251	1.18	689.11	333.94	0.10
1	19831	2-YR	184.00	11.66	19.38		19.39	0.000144	0.78	237.27	84.60	0.08
1	19831	10-YR	368.00	11.66	21.00		21.02	0.000160	0.91	406.02	130.12	0.09
1	19831	25-YR	488.00	11.66	21.64		21.65	0.000165	0.98	540.24	319.44	0.09
1	19831	50-YR	595.00	11.66	22.05		22.07	0.000170	1.03	687.89	436.56	0.09
1	19831	100-YR	715.00	11.66	22.37		22.38	0.000174	1.10	834.84	495.34	0.10
1	19151	2-YR	184.00	11.43	19.20		19.24	0.000387	1.49	123.28	31.72	0.13
1	19151	10-YR	368.00	11.43	20.75		20.81	0.000689	2.03	193.94	125.95	0.18
1	19151	25-YR	488.00	11.43	21.37		21.44	0.000767	2.13	348.28	354.04	0.19
1	19151	50-YR	595.00	11.43	21.80		21.86	0.000683	2.10	526.76	450.50	0.18
1	19151	100-YR	715.00	11.43	22.11		22.17	0.000675	2.18	684.26	552.20	0.18
1	18287	2-YR	282.00	11.26	18.92		18.95	0.000306	1.27	221.74	66.03	0.12
1	18287	10-YR	608.00	11.26	20.26		20.32	0.000518	1.89	334.37	173.14	0.16
1	18287	25-YR	826.00	11.26	20.82		20.89	0.000571	2.16	484.35	365.50	0.18
1	18287	50-YR	1005.00	11.26	21.30		21.36	0.000521	2.21	681.84	463.57	0.17
1	18287	100-YR	1200.00	11.26	21.60		21.67	0.000539	2.33	825.47	492.46	0.18
1	17977	2-YR	282.00	11.26	18.80		18.84	0.000376	1.52	192.55	66.07	0.14
1	17977	10-YR	608.00	11.26	20.07		20.14	0.000578	2.28	354.69	202.81	0.18
1	17977	25-YR	826.00	11.26	20.61		20.70	0.000655	2.59	479.90	266.27	0.19
1	17977	50-YR	1005.00	11.26	21.10		21.19	0.000604	2.64	652.06	403.80	0.19
1	17977	100-YR	1200.00	11.26	21.39		21.48	0.000655	2.83	772.24	442.10	0.20
1	17681	2-YR	287.00	11.48	18.63	15.05	18.68	0.000739	1.86	154.29	49.46	0.19
1	17681	10-YR	620.00	11.48	19.73	16.34	19.85	0.001672	2.78	223.35	308.00	0.28

HEC-RAS Plan: Alt1 River: Parkers Creek Reach: 1 (Continued)

Reach	River Sta	Profile	Q Total (cfs)	Min Ch El (ft)	W.S. Elev (ft)	Crit W.S. (ft)	E.G. Elev (ft)	E.G. Slope (ft/ft)	Vel Chnl (ft/s)	Flow Area (sq ft)	Top Width (ft)	Froude # Chl
1	16813	2-YR	287.00	11.00	18.22	13.92	18.24	0.000315	1.18	242.52	479.66	0.11
1	16813	10-YR	620.00	11.00	19.18	14.97	19.19	0.000275	1.24	1019.50	765.38	0.11
1	16813	25-YR	847.00	11.00	19.71	15.51	19.72	0.000247	1.27	1449.03	1119.14	0.10
1	16813	50-YR	1035.00	11.00	20.17	15.89	20.18	0.000202	1.23	1879.17	1279.53	0.10
1	16813	100-YR	1245.00	11.00	20.49	16.28	20.51	0.000199	1.27	2212.21	1389.24	0.10
1	16629	2-YR	287.00	10.50	18.15		18.17	0.000385	1.35	334.61	389.77	0.12
1	16629	10-YR	620.00	10.50	19.13		19.15	0.000358	1.38	849.75	726.53	0.12
1	16629	25-YR	847.00	10.50	19.67		19.68	0.000276	1.23	1353.27	1058.71	0.11
1	16629	50-YR	1035.00	10.50	20.14		20.15	0.000182	1.07	1906.83	1278.37	0.09
1	16629	100-YR	1245.00	10.50	20.47		20.48	0.000158	1.05	2368.60	1590.48	0.08
1	16473	2-YR	287.00	10.50	18.08		18.11	0.000497	1.37	320.82	385.11	0.14
1	16473	10-YR	620.00	10.50	19.08		19.09	0.000359	1.35	892.05	737.79	0.12
1	16473	25-YR	847.00	10.50	19.63		19.64	0.000271	1.28	1329.10	838.85	0.11
1	16473	50-YR	1035.00	10.50	20.11		20.12	0.000219	1.24	1837.69	1255.35	0.10
1	16473	100-YR	1245.00	10.50	20.44		20.45	0.000192	1.21	2324.84	1576.81	0.09
1	16107	2-YR	284.00	9.95	18.04		18.05	0.000076	0.60	577.51	299.24	0.06
1	16107	10-YR	649.00	9.95	19.00		19.01	0.000166	1.00	940.92	513.60	0.09
1	16107	25-YR	914.00	9.95	19.54		19.56	0.000203	1.18	1293.70	761.88	0.10
1	16107	50-YR	1126.00	9.95	20.03		20.05	0.000201	1.25	1685.22	829.61	0.10
1	16107	100-YR	1355.00	9.95	20.36		20.38	0.000213	1.35	1962.76	844.83	0.10
1	15942	2-YR	284.00	10.00	17.94	13.80	18.00	0.000558	1.98	143.41	199.08	0.15
1	15942	10-YR	649.00	10.00	18.91	15.26	18.95	0.000870	2.06	581.89	547.53	0.19
1	15942	25-YR	914.00	10.00	19.46	16.00	19.50	0.000756	2.08	978.94	800.17	0.18
1	15942	50-YR	1126.00	10.00	19.97	16.51	20.00	0.000513	1.85	1406.90	854.00	0.15
1	15942	100-YR	1355.00	10.00	20.31	16.99	20.34	0.000457	1.83	1699.05	871.75	0.14
1	15895		Culvert									
1	15845	2-YR	284.00	9.80	17.60	13.57	17.65	0.000728	1.80	201.68	200.19	0.17
1	15845	10-YR	649.00	9.80	18.89	15.21	18.94	0.000735	2.00	626.45	569.05	0.17
1	15845	25-YR	914.00	9.80	19.45	16.20	19.49	0.000687	1.95	1020.86	806.50	0.17
1	15845	50-YR	1126.00	9.80	19.97	17.00	19.99	0.000509	1.72	1459.80	863.24	0.15
1	15845	100-YR	1355.00	9.80	20.31	17.89	20.33	0.000443	1.68	1758.53	875.63	0.14

HEC-RAS Plan: Alt1 River: Parkers Creek Reach: 1 (Continued)

Reach	River Sta	Profile	Q Total	Min Ch El	W.S. Elev	Crit W.S.	E.G. Elev	E.G. Slope	Vel Chnl	Flow Area	Top Width	Froude # Chl
			(cfs)	(ft)	(ft)	(ft)	(ft)	(ft/ft)	(ft/s)	(sq ft)	(ft)	
1	15748	2-YR	284.00	9.50	17.52		17.57	0.000728	1.91	159.19	153.18	0.17
1	15748	10-YR	649.00	9.50	18.83		18.86	0.000788	1.85	707.75	625.54	0.17
1	15748	25-YR	914.00	9.50	19.40		19.42	0.000590	1.77	1092.75	710.02	0.15
1	15748	50-YR	1126.00	9.50	19.93		19.95	0.000410	1.60	1479.48	740.64	0.13
1	15748	100-YR	1355.00	9.50	20.28		20.30	0.000382	1.62	1739.31	757.60	0.13
1	15588	2-YR	284.00	9.40	17.42	13.11	17.48	0.000498	1.98	147.02	58.74	0.15
1	15588	10-YR	649.00	9.40	18.63	14.51	18.73	0.000818	2.90	470.30	551.29	0.20
1	15588	25-YR	914.00	9.40	19.27	15.29	19.33	0.000580	2.59	828.12	620.73	0.17
1	15588	50-YR	1126.00	9.40	19.88	15.83	19.90	0.000323	1.65	1313.83	692.35	0.12
1	15588	100-YR	1355.00	9.40	20.23	16.40	20.25	0.000300	1.65	1561.99	719.96	0.12
1	15557		Culvert									
1	15522	2-YR	284.00	9.69	16.17	13.01	16.31	0.001190	2.95	96.36	51.11	0.23
1	15522	10-YR	649.00	9.69	18.34	14.41	18.42	0.000881	2.37	347.69	267.72	0.20
1	15522	25-YR	914.00	9.69	19.25	15.26	19.30	0.000615	2.12	764.77	594.29	0.17
1	15522	50-YR	1126.00	9.69	19.85	15.88	19.87	0.000430	1.75	1143.30	671.63	0.14
1	15522	100-YR	1355.00	9.69	20.20	16.51	20.23	0.000387	1.74	1385.60	695.46	0.13
1	15417	2-YR	284.00	9.91	16.13		16.17	0.000634	1.70	169.23	52.67	0.16
1	15417	10-YR	649.00	9.91	18.28		18.34	0.000553	2.00	479.51	316.39	0.16
1	15417	25-YR	914.00	9.91	19.20		19.24	0.000414	1.83	796.27	431.63	0.14
1	15417	50-YR	1126.00	9.91	19.79		19.83	0.000403	1.86	1129.87	661.54	0.14
1	15417	100-YR	1355.00	9.91	20.15		20.19	0.000364	1.84	1369.43	666.69	0.13
1	14659	2-YR	284.00	9.40	15.26		15.37	0.002135	2.59	109.79	40.53	0.28
1	14659	10-YR	649.00	9.40	17.55		17.69	0.001475	3.01	247.02	98.40	0.25
1	14659	25-YR	914.00	9.40	18.51		18.66	0.001771	3.22	431.16	285.94	0.27
1	14659	50-YR	1126.00	9.40	19.16		19.28	0.001558	3.06	648.43	361.98	0.26
1	14659	100-YR	1355.00	9.40	19.56		19.68	0.001505	3.19	795.00	379.23	0.26
1	13848	2-YR	284.00	9.03	14.62		14.66	0.000451	1.68	168.92	41.95	0.15
1	13848	10-YR	649.00	9.03	16.74		16.82	0.000785	2.33	278.21	65.48	0.20
1	13848	25-YR	914.00	9.03	17.51		17.63	0.000941	2.71	372.74	177.31	0.22
1	13848	50-YR	1126.00	9.03	18.09		18.20	0.001159	2.80	502.06	272.75	0.24
1	13848	100-YR	1355.00	9.03	18.55		18.66	0.001063	2.88	633.34	309.38	0.24

HEC-RAS Plan: Alt1 River: Parkers Creek Reach: 1 (Continued)

Reach	River Sta	Profile	Q Total	Min Ch El	W.S. Elev	Crit W.S.	E.G. Elev	E.G. Slope	Vel Chnl	Flow Area	Top Width	Froude # Chl
			(cfs)	(ft)	(ft)	(ft)	(ft)	(ft/ft)	(ft/s)	(sq ft)	(ft)	
1	13253	2-YR	284.00	8.65	14.08		14.17	0.001895	2.49	114.25	41.47	0.26
1	13253	10-YR	649.00	8.65	16.06		16.18	0.001546	2.88	318.29	233.01	0.25
1	13253	25-YR	914.00	8.65	16.83		16.95	0.001388	3.07	534.28	317.82	0.25
1	13253	50-YR	1126.00	8.65	17.37		17.49	0.001251	3.13	717.53	358.75	0.24
1	13253	100-YR	1355.00	8.65	17.90		18.02	0.001113	3.15	917.02	384.15	0.23
1	12411	2-YR	284.00	8.39	13.26		13.30	0.000632	1.51	187.49	63.68	0.16
1	12411	10-YR	649.00	8.39	15.46		15.50	0.000468	1.68	534.81	242.78	0.14
1	12411	25-YR	914.00	8.39	16.25		16.30	0.000474	1.89	746.74	293.91	0.15
1	12411	50-YR	1126.00	8.39	16.82		16.87	0.000461	2.00	922.40	317.76	0.15
1	12411	100-YR	1355.00	8.39	17.39		17.45	0.000442	2.09	1107.56	330.88	0.15
1	11694	2-YR	326.00	8.04	12.58		12.65	0.001302	2.07	157.40	49.47	0.20
1	11694	10-YR	739.00	8.04	14.83		14.92	0.001499	2.46	344.00	173.13	0.23
1	11694	25-YR	1067.00	8.04	15.58		15.70	0.001536	2.82	484.53	198.21	0.24
1	11694	50-YR	1335.00	8.04	16.16		16.28	0.001496	3.01	602.91	215.85	0.24
1	11694	100-YR	1619.00	8.04	16.75		16.88	0.001412	3.15	735.80	240.36	0.23
1	10915	2-YR	326.00	7.04	11.66		11.71	0.001108	1.88	173.25	56.06	0.19
1	10915	10-YR	739.00	7.04	13.71		13.79	0.001398	2.22	376.83	223.25	0.22
1	10915	25-YR	1067.00	7.04	14.52		14.61	0.001261	2.44	566.55	246.36	0.21
1	10915	50-YR	1335.00	7.04	15.20		15.28	0.001080	2.50	739.58	263.72	0.20
1	10915	100-YR	1619.00	7.04	15.90		15.98	0.000923	2.53	928.68	277.00	0.19
1	10450	2-YR	326.00	6.45	11.13		11.19	0.001157	1.98	164.39	50.45	0.19
1	10450	10-YR	739.00	6.45	13.03		13.12	0.001430	2.49	412.72	302.56	0.22
1	10450	25-YR	1067.00	6.45	13.96		14.04	0.001122	2.54	730.77	374.74	0.20
1	10450	50-YR	1335.00	6.45	14.75		14.82	0.000845	2.44	1045.93	417.12	0.18
1	10450	100-YR	1619.00	6.45	15.54		15.60	0.000650	2.34	1384.39	437.08	0.16
1	10164	2-YR	326.00	6.00	10.83		10.88	0.000954	1.82	178.89	54.10	0.18
1	10164	10-YR	739.00	6.00	12.75		12.79	0.000905	1.80	631.41	592.09	0.17
1	10164	25-YR	1067.00	6.00	13.86		13.87	0.000312	1.28	1374.61	773.26	0.11
1	10164	50-YR	1335.00	6.00	14.70		14.71	0.000174	1.07	2139.86	1027.27	0.08
1	10164	100-YR	1619.00	6.00	15.52		15.52	0.000115	0.96	3034.27	1160.52	0.07
1	10062	2-YR	326.00	5.92	10.73	7.78	10.79	0.000870	1.90	171.51	52.34	0.19
1	10062	10-YR	739.00	5.92	12.56	8.91	12.66	0.001139	2.59	285.17	79.12	0.22

HEC-RAS Plan: Alt1 River: Parkers Creek Reach: 1 (Continued)

Reach	River Sta	Profile	Q Total	Min Ch El	W.S. Elev	Crit W.S.	E.G. Elev	E.G. Slope	Vel Chnl	Flow Area	Top Width	Froude # Chl
			(cfs)	(ft)	(ft)	(ft)	(ft)	(ft/ft)	(ft/s)	(sq ft)	(ft)	
1	10062	25-YR	1067.00	5.92	13.64	9.59	13.78	0.001116	2.98	357.62	698.07	0.23
1	10062	50-YR	1335.00	5.92	14.47	10.07	14.63	0.001080	3.23	413.10	937.02	0.23
1	10062	100-YR	1619.00	5.92	15.26	10.52	15.44	0.001065	3.48	465.75	1124.29	0.23
1	10006		Culvert									
1	9950	2-YR	326.00	4.46	10.69	6.35	10.72	0.000276	1.36	239.02	64.41	0.11
1	9950	10-YR	739.00	4.46	12.34	7.45	12.42	0.000518	2.29	323.25	372.36	0.16
1	9950	25-YR	1067.00	4.46	13.23	8.11	13.36	0.000696	2.89	368.76	915.52	0.19
1	9950	50-YR	1335.00	4.46	13.89	8.58	14.06	0.000816	3.32	402.21	1083.26	0.21
1	9950	100-YR	1619.00	4.46	14.47	9.02	14.69	0.000946	3.75	431.95	1158.53	0.23
1	9751	2-YR	326.00	4.00	10.65		10.66	0.000206	1.04	471.98	411.95	0.09
1	9751	10-YR	739.00	4.00	12.33		12.34	0.000139	1.02	1913.89	1132.41	0.08
1	9751	25-YR	1067.00	4.00	13.25		13.26	0.000107	1.00	3114.07	1402.13	0.07
1	9751	50-YR	1335.00	4.00	13.93		13.94	0.000084	0.95	4111.87	1486.77	0.06
1	9751	100-YR	1619.00	4.00	14.54		14.55	0.000071	0.93	5046.05	1582.37	0.06
1	8660	2-YR	410.00	3.95	10.20		10.24	0.000803	1.53	352.49	190.73	0.14
1	8660	10-YR	945.00	3.95	11.95		12.00	0.000841	1.97	728.90	236.84	0.15
1	8660	25-YR	1390.00	3.95	12.90		12.96	0.000896	2.27	963.40	255.03	0.16
1	8660	50-YR	1767.00	3.95	13.62		13.68	0.000918	2.47	1150.38	268.82	0.17
1	8660	100-YR	2176.00	3.95	14.24		14.32	0.000974	2.69	1321.14	281.21	0.17
1	7695	2-YR	410.00	3.60	9.39		9.42	0.000903	1.59	367.07	214.68	0.15
1	7695	10-YR	945.00	3.60	11.07		11.13	0.000990	2.15	820.08	360.89	0.16
1	7695	25-YR	1390.00	3.60	12.01		12.07	0.000986	2.39	1200.15	465.61	0.17
1	7695	50-YR	1767.00	3.60	12.71		12.78	0.001009	2.60	1575.88	606.05	0.17
1	7695	100-YR	2176.00	3.60	13.35		13.42	0.000931	2.65	1972.69	624.88	0.17
1	6792	2-YR	410.00	3.50	8.58		8.61	0.000882	1.55	330.33	182.83	0.15
1	6792	10-YR	945.00	3.50	10.12		10.19	0.001093	2.20	696.35	301.32	0.17
1	6792	25-YR	1390.00	3.50	11.04		11.12	0.001124	2.50	990.81	334.73	0.18
1	6792	50-YR	1767.00	3.50	11.73		11.81	0.001120	2.68	1228.55	357.76	0.18
1	6792	100-YR	2176.00	3.50	12.41		12.50	0.001105	2.84	1479.21	381.17	0.19
1	6134	2-YR	410.00	3.50	7.54		7.63	0.002914	2.44	206.73	184.11	0.26
1	6134	10-YR	945.00	3.50	9.10		9.19	0.002153	2.79	637.48	309.82	0.24

HEC-RAS Plan: Alt1 River: Parkers Creek Reach: 1 (Continued)

Reach	River Sta	Profile	Q Total	Min Ch El	W.S. Elev	Crit W.S.	E.G. Elev	E.G. Slope	Vel Chnl	Flow Area	Top Width	Froude # Chl
			(cfs)	(ft)	(ft)	(ft)	(ft)	(ft/ft)	(ft/s)	(sq ft)	(ft)	
1	6134	25-YR	1390.00	3.50	10.10		10.19	0.001771	2.91	954.73	326.21	0.22
1	6134	50-YR	1767.00	3.50	10.84		10.92	0.001584	3.00	1199.58	335.89	0.21
1	6134	100-YR	2176.00	3.50	11.56		11.65	0.001460	3.10	1444.72	345.31	0.21
1	5784	2-YR	401.00	3.08	7.01		7.05	0.001022	1.56	330.58	303.96	0.16
1	5784	10-YR	908.00	3.08	8.70		8.74	0.000772	1.80	911.15	370.23	0.14
1	5784	25-YR	1340.00	3.08	9.74		9.78	0.000698	1.95	1309.16	391.35	0.14
1	5784	50-YR	1710.00	3.08	10.51		10.55	0.000663	2.07	1613.08	404.37	0.14
1	5784	100-YR	2120.00	3.08	11.24		11.29	0.000647	2.19	1914.57	416.01	0.14
1	5727	2-YR	401.00	3.08	6.92	4.46	6.97	0.001457	1.88	213.24	98.47	0.19
1	5727	10-YR	908.00	3.08	8.53	5.35	8.65	0.001896	2.82	329.00	145.76	0.23
1	5727	25-YR	1340.00	3.08	9.49	5.96	9.68	0.002225	3.45	398.61	216.88	0.25
1	5727	50-YR	1710.00	3.08	10.19	6.42	10.43	0.002466	3.92	448.90	236.37	0.27
1	5727	100-YR	2120.00	3.08	10.85	6.88	11.15	0.002734	4.40	496.27	263.71	0.29
1	5692		Culvert									
1	5652	2-YR	401.00	2.11	6.87	4.14	6.95	0.001989	2.19	183.17	57.17	0.22
1	5652	10-YR	908.00	2.11	8.40	5.34	8.57	0.002797	3.33	276.17	105.93	0.27
1	5652	25-YR	1340.00	2.11	9.28	6.11	9.54	0.003409	4.12	330.68	132.08	0.31
1	5652	50-YR	1710.00	2.11	9.88	6.66	10.23	0.003920	4.74	368.14	156.93	0.34
1	5652	100-YR	2120.00	2.11	10.41	7.19	10.86	0.004567	5.40	400.88	177.48	0.37
1	5589	2-YR	401.00	2.11	6.83		6.86	0.000670	1.38	302.43	145.50	0.13
1	5589	10-YR	908.00	2.11	8.37		8.42	0.000894	2.02	567.27	188.03	0.16
1	5589	25-YR	1340.00	2.11	9.27		9.34	0.001014	2.40	778.68	296.77	0.17
1	5589	50-YR	1710.00	2.11	9.89		9.99	0.001082	2.65	991.68	396.68	0.18
1	5589	100-YR	2120.00	2.11	10.46		10.56	0.001150	2.88	1225.53	435.33	0.19
1	5229	2-YR	426.00	1.61	6.48		6.53	0.001236	1.87	302.48	206.98	0.17
1	5229	10-YR	969.00	1.61	7.94		8.02	0.001432	2.53	636.61	248.04	0.20
1	5229	25-YR	1440.00	1.61	8.79		8.89	0.001567	2.93	864.38	300.49	0.21
1	5229	50-YR	1858.00	1.61	9.38		9.50	0.001688	3.24	1053.50	337.91	0.22
1	5229	100-YR	2325.00	1.61	9.89		10.03	0.001867	3.59	1233.24	366.28	0.24
1	2851	2-YR	426.00	0.40	4.13		4.15	0.000821	1.17	516.09	438.98	0.13
1	2851	10-YR	969.00	0.40	5.08		5.11	0.001049	1.62	1159.74	1019.97	0.16

HEC-RAS Plan: Alt1 River: Parkers Creek Reach: 1 (Continued)

Reach	River Sta	Profile	Q Total	Min Ch El	W.S. Elev	Crit W.S.	E.G. Elev	E.G. Slope	Vel Chnl	Flow Area	Top Width	Froude # Chl
			(cfs)	(ft)	(ft)	(ft)	(ft)	(ft/ft)	(ft/s)	(sq ft)	(ft)	
1	2851	25-YR	1440.00	0.40	5.63		5.66	0.001179	1.74	1766.16	1173.95	0.17
1	2851	50-YR	1858.00	0.40	5.96		5.99	0.001288	1.85	2170.27	1290.88	0.18
1	2851	100-YR	2325.00	0.40	6.28		6.32	0.001310	1.99	2603.02	1373.52	0.18
1	327	2-YR	426.00	-2.00	2.56	0.16	2.56	0.000500	1.09	1468.15	1671.95	0.11
1	327	10-YR	969.00	-2.00	3.34	2.03	3.34	0.000500	1.07	3005.91	2398.90	0.11
1	327	25-YR	1440.00	-2.00	3.81	2.23	3.81	0.000501	1.03	4392.82	3454.88	0.11
1	327	50-YR	1858.00	-2.00	4.08	2.36	4.08	0.000500	1.04	5406.58	3963.37	0.11
1	327	100-YR	2325.00	-2.00	4.39	2.43	4.40	0.000500	1.06	6716.81	4351.43	0.11

Parkers Creek - Alternative 2

HEC-RAS Plan: Alt2 River: Parkers Creek Reach: 1

Reach	River Sta	Profile	Q Total	Min Ch El	W.S. Elev	Crit W.S.	E.G. Elev	E.G. Slope	Vel Chnl	Flow Area	Top Width	Froude # Chl
			(cfs)	(ft)	(ft)	(ft)	(ft)	(ft/ft)	(ft/s)	(sq ft)	(ft)	
1	29594	2-YR	175.00	22.50	26.37		26.41	0.001185	1.86	138.82	113.78	0.24
1	29594	10-YR	382.00	22.50	27.81		27.83	0.000681	1.59	365.80	206.26	0.19
1	29594	25-YR	549.00	22.50	28.33		28.36	0.000666	1.79	505.84	368.64	0.20
1	29594	50-YR	705.00	22.50	28.50		28.54	0.000905	2.09	574.26	425.91	0.23
1	29594	100-YR	874.00	22.50	29.43		29.45	0.000416	1.66	1314.64	1118.09	0.16
1	29005	2-YR	175.00	21.00	25.74	23.62	25.80	0.000943	1.92	106.10	82.61	0.23
1	29005	10-YR	382.00	21.00	27.43	24.58	27.47	0.000569	1.70	394.61	1344.60	0.18
1	29005	25-YR	549.00	21.00	28.02	25.19	28.05	0.000431	1.60	743.76	1775.81	0.16
1	29005	50-YR	705.00	21.00	28.51	25.78	28.51	0.000009	0.25	3475.63	2111.20	0.02
1	29005	100-YR	874.00	21.00	29.43	26.18	29.43	0.000004	0.20	5523.28	2292.02	0.02
1	28619	2-YR	175.00	20.00	25.25		25.34	0.001524	2.35	74.62	28.42	0.26
1	28619	10-YR	382.00	20.00	27.11		27.17	0.001054	2.19	420.52	649.87	0.22
1	28619	25-YR	549.00	20.00	27.83		27.86	0.000554	1.79	968.92	859.17	0.16
1	28619	50-YR	705.00	20.00	28.49		28.50	0.000320	1.49	1616.97	1118.41	0.13
1	28619	100-YR	874.00	20.00	29.42		29.43	0.000142	1.10	2757.12	1323.62	0.09
1	28069	2-YR	175.00	19.52	24.76		24.81	0.000635	1.84	94.99	25.15	0.17
1	28069	10-YR	382.00	19.52	26.45		26.55	0.001205	2.63	170.51	176.43	0.23
1	28069	25-YR	549.00	19.52	27.46		27.51	0.000741	2.12	781.11	931.26	0.19
1	28069	50-YR	705.00	19.52	28.32		28.33	0.000286	1.50	1629.14	1059.03	0.12
1	28069	100-YR	874.00	19.52	29.35		29.36	0.000116	1.09	2816.16	1257.68	0.08
1	27993	2-YR	175.00	20.00	24.74	22.04	24.76	0.000274	1.03	169.63	82.98	0.11
1	27993	10-YR	382.00	20.00	26.45	22.79	26.48	0.000244	1.36	280.55	748.19	0.12
1	27993	25-YR	549.00	20.00	27.43	23.24	27.47	0.000255	1.59	344.46	935.26	0.12
1	27993	50-YR	705.00	20.00	28.26	23.58	28.31	0.000260	1.77	397.87	1043.78	0.13
1	27993	100-YR	874.00	20.00	29.28	23.89	29.33	0.000239	1.88	464.24	1185.95	0.12
1	27925		Culvert									
1	27864	2-YR	175.00	20.00	24.71	22.13	24.74	0.000302	1.23	141.81	61.89	0.13
1	27864	10-YR	382.00	20.00	26.34	22.91	26.39	0.000294	1.67	228.34	193.34	0.14
1	27864	25-YR	549.00	20.00	27.26	23.36	27.28	0.000181	1.43	747.79	690.51	0.11
1	27864	50-YR	705.00	20.00	27.96	23.72	27.97	0.000112	1.23	1267.83	797.38	0.09
1	27864	100-YR	874.00	20.00	28.80	24.07	28.81	0.000062	1.00	1975.78	877.55	0.07

HEC-RAS Plan: Alt2 River: Parkers Creek Reach: 1 (Continued)

Reach	River Sta	Profile	Q Total	Min Ch El	W.S. Elev	Crit W.S.	E.G. Elev	E.G. Slope	Vel Chnl	Flow Area	Top Width	Froude # Chl
			(cfs)	(ft)	(ft)	(ft)	(ft)	(ft/ft)	(ft/s)	(sq ft)	(ft)	
1	27742	2-YR	231.00	20.00	24.60		24.66	0.000974	1.96	117.92	52.88	0.23
1	27742	10-YR	469.00	20.00	26.30		26.33	0.000611	1.56	395.01	484.09	0.18
1	27742	25-YR	661.00	20.00	27.24		27.25	0.000189	1.08	1072.99	838.20	0.11
1	27742	50-YR	825.00	20.00	27.95		27.95	0.000094	0.88	1677.61	863.01	0.08
1	27742	100-YR	1012.00	20.00	28.79		28.80	0.000050	0.73	2415.72	881.74	0.06
1	27405	2-YR	231.00	20.00	24.51	21.03	24.53	0.000164	1.15	202.22	54.85	0.10
1	27405	10-YR	469.00	20.00	26.18	21.64	26.22	0.000207	1.63	298.65	67.12	0.12
1	27405	25-YR	661.00	20.00	27.11	22.05	27.17	0.000242	1.95	354.49	83.50	0.13
1	27405	50-YR	825.00	20.00	27.82	22.37	27.89	0.000265	2.18	396.90	121.43	0.14
1	27405	100-YR	1012.00	20.00	28.66	22.71	28.74	0.000273	2.38	447.39	134.06	0.15
1	26948		Culvert									
1	26312	2-YR	231.00	19.00	24.31	20.29	24.33	0.000194	1.10	214.25	56.28	0.09
1	26312	10-YR	469.00	19.00	25.74	20.91	25.78	0.000314	1.66	305.93	552.69	0.12
1	26312	25-YR	661.00	19.00	26.44	21.33	26.50	0.000424	2.07	351.07	905.53	0.14
1	26312	50-YR	825.00	19.00	26.93	21.66	27.01	0.000514	2.39	382.94	1025.29	0.15
1	26312	100-YR	1012.00	19.00	27.43	22.00	27.53	0.000609	2.72	415.35	1075.14	0.17
1	26272		Bridge									
1	26221	2-YR	231.00	19.00	24.27	20.45	24.29	0.000196	1.07	215.00	70.54	0.10
1	26221	10-YR	469.00	19.00	25.64	21.21	25.68	0.000282	1.57	299.66	148.31	0.13
1	26221	25-YR	661.00	19.00	26.25	21.70	26.31	0.000379	1.97	338.92	480.44	0.15
1	26221	50-YR	825.00	19.00	26.64	22.06	26.72	0.000469	2.29	364.24	641.77	0.17
1	26221	100-YR	1012.00	19.00	26.99	22.42	27.10	0.000579	2.65	387.46	800.18	0.19
1	26062	2-YR	261.00	18.80	24.20		24.24	0.000432	1.64	159.10	39.42	0.14
1	26062	10-YR	517.00	18.80	25.50		25.59	0.000837	2.41	222.41	117.55	0.20
1	26062	25-YR	728.00	18.80	26.06		26.19	0.001083	2.92	371.07	432.75	0.23
1	26062	50-YR	898.00	18.80	26.45		26.58	0.001437	3.07	576.50	620.33	0.27
1	26062	100-YR	1096.00	18.80	26.83		26.96	0.001349	3.15	852.61	788.90	0.26
1	25800	2-YR	261.00	18.80	24.09		24.13	0.000375	1.51	193.41	125.77	0.14
1	25800	10-YR	517.00	18.80	25.37		25.42	0.000469	1.90	637.75	648.34	0.16
1	25800	25-YR	728.00	18.80	25.93		25.98	0.000502	2.10	1073.11	935.17	0.17
1	25800	50-YR	898.00	18.80	26.31		26.36	0.000479	2.15	1441.98	1011.22	0.16

HEC-RAS Plan: Alt2 River: Parkers Creek Reach: 1 (Continued)

Reach	River Sta	Profile	Q Total	Min Ch El	W.S. Elev	Crit W.S.	E.G. Elev	E.G. Slope	Vel Chnl	Flow Area	Top Width	Froude # Chl
			(cfs)	(ft)	(ft)	(ft)	(ft)	(ft/ft)	(ft/s)	(sq ft)	(ft)	
1	25800	100-YR	1096.00	18.80	26.71		26.75	0.000445	2.18	1856.82	1065.45	0.16
1	25404	2-YR	261.00	18.80	23.95		23.98	0.000359	1.46	187.66	76.82	0.13
1	25404	10-YR	517.00	18.80	25.20		25.24	0.000420	1.84	710.00	810.87	0.15
1	25404	25-YR	728.00	18.80	25.75		25.79	0.000435	1.99	1241.22	1100.01	0.16
1	25404	50-YR	898.00	18.80	26.14		26.17	0.000429	1.94	1676.42	1159.07	0.15
1	25404	100-YR	1096.00	18.80	26.54		26.56	0.000488	1.72	2154.89	1235.96	0.16
1	25124	2-YR	261.00	18.77	23.75		23.83	0.000875	2.25	116.10	29.69	0.20
1	25124	10-YR	517.00	18.77	24.99		25.07	0.000911	2.58	678.58	865.98	0.21
1	25124	25-YR	728.00	18.77	25.58		25.64	0.000731	2.46	1255.72	1068.26	0.19
1	25124	50-YR	898.00	18.77	25.98		26.03	0.000609	2.36	1705.34	1151.53	0.18
1	25124	100-YR	1096.00	18.77	26.38		26.41	0.000537	2.32	2172.94	1232.75	0.17
1	24526	2-YR	261.00	18.00	23.04		23.13	0.001647	2.45	133.82	96.22	0.27
1	24526	10-YR	517.00	18.00	24.36		24.43	0.001255	2.49	423.22	375.39	0.24
1	24526	25-YR	728.00	18.00	25.08		25.14	0.000940	2.32	739.93	489.04	0.22
1	24526	50-YR	898.00	18.00	25.56		25.60	0.000832	2.24	991.24	576.29	0.20
1	24526	100-YR	1096.00	18.00	25.98		26.03	0.000768	2.28	1254.86	670.11	0.20
1	24050	2-YR	261.00	17.30	21.28		21.61	0.008145	4.59	56.81	28.55	0.57
1	24050	10-YR	517.00	17.30	23.13		23.39	0.004354	4.14	124.80	46.01	0.44
1	24050	25-YR	728.00	17.30	24.30		24.46	0.002210	3.48	381.27	402.35	0.33
1	24050	50-YR	898.00	17.30	25.02		25.10	0.001315	2.76	708.65	490.45	0.26
1	24050	100-YR	1096.00	17.30	25.56		25.62	0.000939	2.51	983.99	550.76	0.22
1	23635	2-YR	123.00	17.10	20.99		21.00	0.000235	0.99	123.84	43.77	0.10
1	23635	10-YR	271.00	17.10	22.90		22.93	0.000235	1.24	218.96	55.51	0.11
1	23635	25-YR	392.00	17.10	24.04		24.07	0.000292	1.31	387.58	301.88	0.12
1	23635	50-YR	509.00	17.10	24.82		24.84	0.000219	1.29	712.47	508.02	0.11
1	23635	100-YR	641.00	17.10	25.39		25.41	0.000200	1.33	1027.84	623.88	0.11
1	23112	2-YR	123.00	17.05	20.63		20.72	0.002069	2.40	51.34	19.19	0.26
1	23112	10-YR	271.00	17.05	22.51		22.64	0.002014	2.94	92.05	24.22	0.27
1	23112	25-YR	392.00	17.05	23.57		23.73	0.002043	3.26	140.13	117.04	0.27
1	23112	50-YR	509.00	17.05	24.49		24.60	0.001397	2.95	404.88	427.67	0.23
1	23112	100-YR	641.00	17.05	25.13		25.21	0.001032	2.69	713.62	532.42	0.20

HEC-RAS Plan: Alt2 River: Parkers Creek Reach: 1 (Continued)

Reach	River Sta	Profile	Q Total	Min Ch El	W.S. Elev	Crit W.S.	E.G. Elev	E.G. Slope	Vel Chnl	Flow Area	Top Width	Froude # Chl
			(cfs)	(ft)	(ft)	(ft)	(ft)	(ft/ft)	(ft/s)	(sq ft)	(ft)	
1	22625	2-YR	123.00	15.00	19.06		19.22	0.005046	3.20	38.47	18.97	0.40
1	22625	10-YR	271.00	15.00	21.58		21.69	0.001852	2.68	101.31	30.78	0.26
1	22625	25-YR	392.00	15.00	22.70		22.82	0.001681	2.83	138.55	36.00	0.25
1	22625	50-YR	509.00	15.00	23.80		23.92	0.001384	2.80	183.19	46.23	0.24
1	22625	100-YR	641.00	15.00	24.47		24.61	0.001434	3.03	217.90	59.56	0.24
1	22188	2-YR	123.00	14.22	18.87	15.26	18.89	0.000242	1.04	117.76	30.82	0.09
1	22188	10-YR	271.00	14.22	21.41	15.96	21.43	0.000251	1.33	203.53	36.82	0.10
1	22188	25-YR	392.00	14.22	22.49	16.41	22.53	0.000315	1.60	244.76	40.46	0.11
1	22188	50-YR	509.00	14.22	23.59	16.82	23.63	0.000335	1.76	289.35	136.91	0.12
1	22188	100-YR	641.00	14.22	24.22	17.22	24.28	0.000405	2.03	316.97	184.54	0.13
1	21825	2-YR	123.00	13.36	18.81		18.82	0.000137	0.92	133.42	29.61	0.08
1	21825	10-YR	271.00	13.36	21.33		21.36	0.000178	1.27	214.16	34.36	0.09
1	21825	25-YR	392.00	13.36	22.39		22.43	0.000239	1.56	251.60	36.36	0.10
1	21825	50-YR	509.00	13.36	23.47		23.52	0.000297	1.73	294.05	43.90	0.12
1	21825	100-YR	641.00	13.36	24.07		24.14	0.000404	1.99	322.22	50.34	0.14
1	21432	2-YR	124.00	12.86	18.78		18.78	0.000068	0.69	178.88	40.73	0.06
1	21432	10-YR	273.00	12.86	21.29		21.31	0.000084	0.93	292.68	49.65	0.07
1	21432	25-YR	394.00	12.86	22.34		22.36	0.000110	1.14	346.67	53.37	0.08
1	21432	50-YR	512.00	12.86	23.41		23.44	0.000128	1.26	419.64	159.40	0.09
1	21432	100-YR	643.00	12.86	24.01		24.04	0.000149	1.42	613.11	473.83	0.09
1	21390	2-YR	124.00	12.86	18.72	15.77	18.77	0.000705	1.68	73.72	25.15	0.17
1	21390	10-YR	273.00	12.86	21.23	16.85	21.29	0.000444	1.87	145.96	35.93	0.15
1	21390	25-YR	394.00	12.86	22.26	17.47	22.34	0.000489	2.23	176.71	253.68	0.16
1	21390	50-YR	512.00	12.86	23.31	17.98	23.41	0.000476	2.46	208.37	490.89	0.16
1	21390	100-YR	643.00	12.86	24.00	18.47	24.02	0.000246	1.43	1058.55	537.95	0.11
1	21349		Culvert									
1	21300	2-YR	124.00	12.86	18.68	15.13	18.70	0.000216	1.06	117.08	47.57	0.09
1	21300	10-YR	273.00	12.86	20.95	15.98	20.98	0.000227	1.48	185.05	71.34	0.10
1	21300	25-YR	394.00	12.86	21.63	16.44	21.68	0.000334	1.92	205.40	80.08	0.13
1	21300	50-YR	512.00	12.86	22.21	16.82	22.24	0.000315	1.40	384.90	216.62	0.12
1	21300	100-YR	643.00	12.86	22.64	17.20	22.68	0.000353	1.57	521.27	363.33	0.13

HEC-RAS Plan: Alt2 River: Parkers Creek Reach: 1 (Continued)

Reach	River Sta	Profile	Q Total	Min Ch El	W.S. Elev	Crit W.S.	E.G. Elev	E.G. Slope	Vel Chnl	Flow Area	Top Width	Froude # Chl
			(cfs)	(ft)	(ft)	(ft)	(ft)	(ft/ft)	(ft/s)	(sq ft)	(ft)	
1	21230	2-YR	124.00	12.50	18.65	15.26	18.67	0.000502	1.34	92.81	30.20	0.13
1	21230	10-YR	273.00	12.50	20.92	16.28	20.96	0.000483	1.54	177.79	46.11	0.14
1	21230	25-YR	394.00	12.50	21.60	16.87	21.65	0.000660	1.87	210.70	166.28	0.16
1	21230	50-YR	512.00	12.50	22.12	17.36	22.19	0.000846	2.14	240.06	256.41	0.19
1	21230	100-YR	643.00	12.50	22.53	17.82	22.62	0.000985	2.43	274.19	407.64	0.20
1	20450	2-YR	124.00	11.92	18.40		18.42	0.000229	0.91	136.37	45.47	0.09
1	20450	10-YR	273.00	11.92	20.68		20.69	0.000239	0.82	333.77	139.75	0.09
1	20450	25-YR	394.00	11.92	21.34		21.35	0.000237	0.93	428.78	151.66	0.10
1	20450	50-YR	512.00	11.92	21.84		21.86	0.000237	1.02	510.46	184.03	0.10
1	20450	100-YR	643.00	11.92	22.23		22.25	0.000258	1.14	607.52	295.87	0.10
1	19831	2-YR	124.00	11.66	18.29		18.30	0.000161	0.78	158.20	60.17	0.09
1	19831	10-YR	273.00	11.66	20.58		20.59	0.000120	0.77	355.31	112.66	0.08
1	19831	25-YR	394.00	11.66	21.22		21.23	0.000154	0.91	436.00	163.29	0.09
1	19831	50-YR	512.00	11.66	21.72		21.74	0.000173	1.00	567.38	329.60	0.09
1	19831	100-YR	643.00	11.66	22.10		22.11	0.000190	1.10	707.36	453.06	0.10
1	19151	2-YR	124.00	11.43	18.10		18.13	0.000396	1.37	90.83	27.23	0.13
1	19151	10-YR	273.00	11.43	20.40		20.45	0.000444	1.65	165.78	50.41	0.15
1	19151	25-YR	394.00	11.43	20.97		21.03	0.000694	2.03	233.04	240.04	0.18
1	19151	50-YR	512.00	11.43	21.45		21.51	0.000787	2.16	375.81	379.07	0.19
1	19151	100-YR	643.00	11.43	21.81		21.88	0.000788	2.26	530.69	451.75	0.20
1	18287	2-YR	174.00	11.26	17.84		17.86	0.000271	1.10	157.48	52.62	0.11
1	18287	10-YR	399.00	11.26	20.15		20.18	0.000245	1.28	317.31	144.82	0.11
1	18287	25-YR	575.00	11.26	20.61		20.65	0.000341	1.62	413.35	302.05	0.14
1	18287	50-YR	737.00	11.26	21.05		21.09	0.000362	1.78	571.08	400.30	0.14
1	18287	100-YR	921.00	11.26	21.38		21.43	0.000402	1.96	719.22	471.42	0.15
1	17977	2-YR	174.00	11.26	17.73		17.75	0.000400	1.31	132.92	45.65	0.14
1	17977	10-YR	399.00	11.26	20.07		20.10	0.000249	1.49	354.72	202.82	0.12
1	17977	25-YR	575.00	11.26	20.49		20.54	0.000354	1.88	449.32	252.40	0.14
1	17977	50-YR	737.00	11.26	20.92		20.97	0.000387	2.07	581.21	374.25	0.15
1	17977	100-YR	921.00	11.26	21.23		21.29	0.000447	2.30	705.84	421.37	0.16
1	17681	2-YR	180.00	11.48	17.56	14.44	17.61	0.000598	1.64	110.01	36.16	0.17
1	17681	10-YR	416.00	11.48	19.93	15.62	19.98	0.000672	1.74	239.28	340.91	0.18

HEC-RAS Plan: Alt2 River: Parkers Creek Reach: 1 (Continued)

Reach	River Sta	Profile	Q Total	Min Ch El	W.S. Elev	Crit W.S.	E.G. Elev	E.G. Slope	Vel Chnl	Flow Area	Top Width	Froude # Chl
			(cfs)	(ft)	(ft)	(ft)	(ft)	(ft/ft)	(ft/s)	(sq ft)	(ft)	
1	16813	2-YR	180.00	11.00	17.08	13.43	17.10	0.000278	1.05	172.15	54.74	0.10
1	16813	10-YR	416.00	11.00	19.73	14.38	19.75	0.000198	1.18	351.40	1134.65	0.09
1	16813	25-YR	600.00	11.00	19.86	14.91	19.90	0.000377	1.66	360.54	1173.12	0.13
1	16813	50-YR	769.00	11.00	19.97	15.33	20.04	0.000575	2.09	368.70	1218.17	0.16
1	16813	100-YR	961.00	11.00	20.09	15.75	20.10	0.000203	1.04	1951.99	1254.67	0.09
1	16629	2-YR	180.00	10.50	17.00		17.03	0.000514	1.40	128.59	40.55	0.14
1	16629	10-YR	416.00	10.50	19.72		19.72	0.000061	0.58	1408.12	1073.85	0.05
1	16629	25-YR	600.00	10.50	19.85		19.85	0.000101	0.76	1547.62	1148.07	0.07
1	16629	50-YR	769.00	10.50	19.96		19.97	0.000136	0.90	1680.55	1194.33	0.08
1	16629	100-YR	961.00	10.50	20.07		20.07	0.000178	1.05	1809.17	1238.40	0.09
1	16473	2-YR	180.00	10.50	16.89		16.93	0.000735	1.57	114.59	39.86	0.16
1	16473	10-YR	416.00	10.50	19.71		19.72	0.000058	0.60	1401.89	908.04	0.05
1	16473	25-YR	600.00	10.50	19.83		19.84	0.000101	0.81	1517.38	1026.69	0.07
1	16473	50-YR	769.00	10.50	19.94		19.95	0.000143	0.97	1632.01	1106.23	0.08
1	16473	100-YR	961.00	10.50	20.03		20.05	0.000213	1.20	1743.08	1210.18	0.10
1	16107	2-YR	192.00	9.95	16.85		16.85	0.000086	0.60	321.14	99.53	0.06
1	16107	10-YR	435.00	9.95	19.70		19.70	0.000041	0.54	1411.93	788.90	0.04
1	16107	25-YR	654.00	9.95	19.80		19.80	0.000084	0.79	1492.74	811.81	0.06
1	16107	50-YR	860.00	9.95	19.88		19.90	0.000135	1.01	1564.88	822.66	0.08
1	16107	100-YR	1085.00	9.95	19.95		19.97	0.000201	1.24	1622.23	825.98	0.10
1	15942	2-YR	192.00	10.00	16.77	13.24	16.81	0.000608	1.74	110.48	35.29	0.15
1	15942	10-YR	435.00	10.00	19.68	14.50	19.69	0.000119	0.85	1160.22	835.17	0.07
1	15942	25-YR	654.00	10.00	19.77	15.28	19.78	0.000238	1.22	1234.00	842.11	0.10
1	15942	50-YR	860.00	10.00	19.84	15.85	19.86	0.000366	1.53	1296.55	846.43	0.13
1	15942	100-YR	1085.00	10.00	19.90	16.42	19.92	0.000538	1.87	1339.68	849.40	0.15
1	15895		Culvert									
1	15845	2-YR	192.00	9.80	16.24	13.05	16.35	0.001020	2.61	73.66	31.74	0.21
1	15845	10-YR	435.00	9.80	19.68	14.30	19.68	0.000124	0.81	1209.61	852.67	0.07
1	15845	25-YR	654.00	9.80	19.77	15.23	19.78	0.000241	1.14	1283.16	855.79	0.10
1	15845	50-YR	860.00	9.80	19.84	16.01	19.86	0.000368	1.43	1346.73	858.48	0.12
1	15845	100-YR	1085.00	9.80	19.90	16.79	19.92	0.000530	1.73	1398.98	860.68	0.15

HEC-RAS Plan: Alt2 River: Parkers Creek Reach: 1 (Continued)

Reach	River Sta	Profile	Q Total	Min Ch El	W.S. Elev	Crit W.S.	E.G. Elev	E.G. Slope	Vel Chnl	Flow Area	Top Width	Froude # Chl
			(cfs)	(ft)	(ft)	(ft)	(ft)	(ft/ft)	(ft/s)	(sq ft)	(ft)	
1	15748	2-YR	192.00	9.50	16.18		16.23	0.000892	1.87	102.60	30.73	0.18
1	15748	10-YR	435.00	9.50	19.67		19.67	0.000088	0.71	1288.95	726.40	0.06
1	15748	25-YR	654.00	9.50	19.75		19.76	0.000178	1.03	1345.06	731.02	0.09
1	15748	50-YR	860.00	9.50	19.81		19.82	0.000281	1.30	1391.86	734.84	0.11
1	15748	100-YR	1085.00	9.50	19.86		19.88	0.000419	1.60	1426.54	737.14	0.13
1	15588	2-YR	192.00	9.40	16.06	12.57	16.11	0.000595	1.80	107.85	39.56	0.15
1	15588	10-YR	435.00	9.40	19.66	13.77	19.66	0.000065	0.72	1164.44	675.87	0.05
1	15588	25-YR	654.00	9.40	19.50	14.52	19.66	0.000877	3.25	207.45	659.63	0.21
1	15588	50-YR	860.00	9.40	19.37	15.14	19.66	0.001607	4.35	203.76	640.60	0.28
1	15588	100-YR	1085.00	9.40	19.80	15.73	19.83	0.000331	1.65	1263.34	687.05	0.12
1	15557		Culvert									
1	15522	2-YR	192.00	9.69	15.34	12.53	15.42	0.000992	2.39	80.46	39.76	0.20
1	15522	10-YR	435.00	9.69	17.24	13.64	17.45	0.001479	3.73	116.60	66.57	0.27
1	15522	25-YR	654.00	9.69	18.38	14.43	18.46	0.000868	2.36	356.98	281.21	0.19
1	15522	50-YR	860.00	9.69	19.08	15.09	19.14	0.000696	2.23	664.12	588.16	0.18
1	15522	100-YR	1085.00	9.69	19.78	15.76	19.81	0.000437	1.75	1101.44	665.24	0.14
1	15417	2-YR	192.00	9.91	15.28		15.31	0.000667	1.51	127.27	45.93	0.16
1	15417	10-YR	435.00	9.91	17.22		17.28	0.000614	1.94	247.75	115.98	0.16
1	15417	25-YR	654.00	9.91	18.32		18.37	0.000540	1.98	490.72	317.28	0.16
1	15417	50-YR	860.00	9.91	19.03		19.07	0.000438	1.86	725.65	377.74	0.14
1	15417	100-YR	1085.00	9.91	19.73		19.77	0.000407	1.87	1087.78	660.63	0.14
1	14659	2-YR	192.00	9.40	14.35		14.45	0.002354	2.50	76.77	31.94	0.28
1	14659	10-YR	435.00	9.40	16.46		16.57	0.001574	2.69	164.93	51.82	0.25
1	14659	25-YR	654.00	9.40	17.60		17.73	0.001444	2.99	252.00	100.54	0.25
1	14659	50-YR	860.00	9.40	18.33		18.49	0.001586	3.23	383.76	251.04	0.26
1	14659	100-YR	1085.00	9.40	19.10		19.22	0.001545	3.02	626.02	357.42	0.26
1	13848	2-YR	192.00	9.03	13.79		13.82	0.000360	1.41	136.52	37.48	0.13
1	13848	10-YR	435.00	9.03	15.81		15.87	0.000528	1.94	224.14	50.94	0.16
1	13848	25-YR	654.00	9.03	16.80		16.88	0.000773	2.32	282.46	66.49	0.20
1	13848	50-YR	860.00	9.03	17.43		17.53	0.000888	2.61	357.34	170.74	0.22
1	13848	100-YR	1085.00	9.03	18.05		18.16	0.001114	2.73	492.92	271.27	0.24

HEC-RAS Plan: Alt2 River: Parkers Creek Reach: 1 (Continued)

Reach	River Sta	Profile	Q Total	Min Ch El	W.S. Elev	Crit W.S.	E.G. Elev	E.G. Slope	Vel Chnl	Flow Area	Top Width	Froude # Chl
			(cfs)	(ft)	(ft)	(ft)	(ft)	(ft/ft)	(ft/s)	(sq ft)	(ft)	
1	13253	2-YR	192.00	8.65	13.32		13.40	0.001929	2.26	85.00	36.13	0.26
1	13253	10-YR	435.00	8.65	15.25		15.35	0.001639	2.55	182.63	106.75	0.25
1	13253	25-YR	654.00	8.65	16.16		16.27	0.001413	2.80	342.48	247.13	0.24
1	13253	50-YR	860.00	8.65	16.79		16.90	0.001282	2.93	520.94	314.46	0.24
1	13253	100-YR	1085.00	8.65	17.39		17.50	0.001139	2.99	724.88	359.89	0.23
1	12411	2-YR	192.00	8.39	12.56		12.59	0.000560	1.32	145.69	55.69	0.14
1	12411	10-YR	435.00	8.39	14.60		14.64	0.000496	1.49	345.24	186.84	0.14
1	12411	25-YR	654.00	8.39	15.64		15.67	0.000407	1.61	577.93	254.31	0.13
1	12411	50-YR	860.00	8.39	16.28		16.32	0.000411	1.76	754.45	295.46	0.14
1	12411	100-YR	1085.00	8.39	16.91		16.95	0.000401	1.88	949.73	319.73	0.14
1	11694	2-YR	238.00	8.04	11.92		11.98	0.001283	1.89	126.14	45.16	0.20
1	11694	10-YR	542.00	8.04	13.99		14.08	0.001213	2.32	238.53	85.73	0.20
1	11694	25-YR	814.00	8.04	15.02		15.12	0.001498	2.54	378.61	180.62	0.23
1	11694	50-YR	1083.00	8.04	15.65		15.76	0.001499	2.81	496.90	200.16	0.23
1	11694	100-YR	1376.00	8.04	16.28		16.41	0.001442	3.01	629.85	219.01	0.23
1	10915	2-YR	238.00	7.04	11.03		11.07	0.001053	1.70	139.74	50.60	0.18
1	10915	10-YR	542.00	7.04	13.08		13.15	0.001155	2.01	270.21	85.81	0.20
1	10915	25-YR	814.00	7.04	13.95		14.03	0.001304	2.25	431.05	230.66	0.21
1	10915	50-YR	1083.00	7.04	14.65		14.73	0.001151	2.38	598.28	249.64	0.20
1	10915	100-YR	1376.00	7.04	15.39		15.47	0.000984	2.45	789.80	267.86	0.19
1	10450	2-YR	238.00	6.45	10.54		10.58	0.001046	1.75	135.80	46.60	0.18
1	10450	10-YR	542.00	6.45	12.48		12.56	0.001364	2.24	261.39	216.25	0.21
1	10450	25-YR	814.00	6.45	13.35		13.43	0.001223	2.43	513.21	327.15	0.21
1	10450	50-YR	1083.00	6.45	14.16		14.23	0.000952	2.41	805.70	382.14	0.19
1	10450	100-YR	1376.00	6.45	15.00		15.06	0.000729	2.33	1148.03	424.34	0.17
1	10164	2-YR	238.00	6.00	10.28		10.32	0.000827	1.59	149.94	50.17	0.16
1	10164	10-YR	542.00	6.00	12.13		12.19	0.001195	1.99	322.36	293.51	0.20
1	10164	25-YR	814.00	6.00	13.18		13.20	0.000504	1.46	899.22	647.51	0.13
1	10164	50-YR	1083.00	6.00	14.08		14.09	0.000239	1.16	1555.83	841.24	0.09
1	10164	100-YR	1376.00	6.00	14.96		14.97	0.000142	1.00	2407.78	1072.44	0.07
1	10062	2-YR	238.00	5.92	10.19	7.46	10.23	0.000747	1.65	144.23	48.59	0.17
1	10062	10-YR	542.00	5.92	12.00	8.43	12.08	0.000960	2.19	247.91	68.96	0.20

HEC-RAS Plan: Alt2 River: Parkers Creek Reach: 1 (Continued)

Reach	River Sta	Profile	Q Total	Min Ch El	W.S. Elev	Crit W.S.	E.G. Elev	E.G. Slope	Vel Chnl	Flow Area	Top Width	Froude # Chl
			(cfs)	(ft)	(ft)	(ft)	(ft)	(ft/ft)	(ft/s)	(sq ft)	(ft)	
1	10062	25-YR	814.00	5.92	13.00	9.08	13.11	0.000992	2.58	314.97	285.04	0.21
1	10062	50-YR	1083.00	5.92	13.88	9.62	14.01	0.000993	2.90	373.74	832.05	0.22
1	10062	100-YR	1376.00	5.92	14.73	10.14	14.89	0.000999	3.19	430.70	987.96	0.22
1	10006		Culvert									
1	9950	2-YR	238.00	4.46	10.17	6.03	10.19	0.000217	1.12	212.62	60.77	0.10
1	9950	10-YR	542.00	4.46	11.88	6.99	11.93	0.000358	1.81	299.80	313.94	0.13
1	9950	25-YR	814.00	4.46	12.75	7.61	12.84	0.000509	2.36	344.28	745.21	0.16
1	9950	50-YR	1083.00	4.46	13.48	8.14	13.60	0.000641	2.84	381.29	969.86	0.18
1	9950	100-YR	1376.00	4.46	14.14	8.64	14.31	0.000780	3.31	415.08	1125.14	0.20
1	9751	2-YR	238.00	4.00	10.14		10.15	0.000165	0.92	311.13	260.95	0.08
1	9751	10-YR	542.00	4.00	11.86		11.87	0.000137	0.95	1418.87	996.79	0.08
1	9751	25-YR	814.00	4.00	12.75		12.76	0.000103	0.93	2434.35	1316.68	0.07
1	9751	50-YR	1083.00	4.00	13.50		13.51	0.000086	0.92	3475.96	1459.06	0.06
1	9751	100-YR	1376.00	4.00	14.19		14.20	0.000070	0.89	4498.33	1519.88	0.06
1	8660	2-YR	326.00	3.95	9.76		9.79	0.000689	1.44	271.73	163.68	0.13
1	8660	10-YR	764.00	3.95	11.48		11.52	0.000819	1.82	619.76	226.49	0.15
1	8660	25-YR	1148.00	3.95	12.41		12.47	0.000864	2.11	841.46	245.74	0.16
1	8660	50-YR	1526.00	3.95	13.18		13.24	0.000898	2.34	1034.91	260.30	0.16
1	8660	100-YR	1940.00	3.95	13.89		13.96	0.000943	2.57	1224.36	274.25	0.17
1	7695	2-YR	326.00	3.60	9.00		9.03	0.000911	1.48	285.53	199.49	0.15
1	7695	10-YR	764.00	3.60	10.61		10.67	0.000988	2.02	659.61	332.10	0.16
1	7695	25-YR	1148.00	3.60	11.54		11.60	0.000982	2.26	993.15	399.91	0.17
1	7695	50-YR	1526.00	3.60	12.28		12.35	0.000993	2.47	1336.23	529.60	0.17
1	7695	100-YR	1940.00	3.60	12.99		13.06	0.000970	2.61	1750.09	614.60	0.17
1	6792	2-YR	326.00	3.50	8.20		8.23	0.000864	1.41	264.74	159.04	0.14
1	6792	10-YR	764.00	3.50	9.70		9.76	0.001025	2.01	576.99	264.33	0.17
1	6792	25-YR	1148.00	3.50	10.59		10.66	0.001094	2.33	841.51	320.82	0.18
1	6792	50-YR	1526.00	3.50	11.32		11.40	0.001104	2.55	1086.10	344.08	0.18
1	6792	100-YR	1940.00	3.50	12.03		12.12	0.001106	2.74	1339.47	368.25	0.18
1	6134	2-YR	326.00	3.50	7.19		7.27	0.002892	2.27	151.05	117.96	0.25
1	6134	10-YR	764.00	3.50	8.70		8.79	0.002236	2.67	514.34	301.03	0.24

HEC-RAS Plan: Alt2 River: Parkers Creek Reach: 1 (Continued)

Reach	River Sta	Profile	Q Total	Min Ch El	W.S. Elev	Crit W.S.	E.G. Elev	E.G. Slope	Vel Chnl	Flow Area	Top Width	Froude # Chl
			(cfs)	(ft)	(ft)	(ft)	(ft)	(ft/ft)	(ft/s)	(sq ft)	(ft)	
1	6134	25-YR	1148.00	3.50	9.63		9.72	0.001848	2.80	804.65	320.14	0.22
1	6134	50-YR	1526.00	3.50	10.43		10.51	0.001620	2.90	1063.26	330.54	0.21
1	6134	100-YR	1940.00	3.50	11.17		11.26	0.001503	3.03	1312.61	340.27	0.21
1	5784	2-YR	323.00	3.08	6.65		6.68	0.001039	1.45	248.65	186.42	0.15
1	5784	10-YR	753.00	3.08	8.29		8.33	0.000794	1.72	761.13	358.29	0.14
1	5784	25-YR	1124.00	3.08	9.27		9.31	0.000716	1.87	1125.51	383.26	0.14
1	5784	50-YR	1486.00	3.08	10.09		10.14	0.000663	1.98	1448.26	397.36	0.14
1	5784	100-YR	1887.00	3.08	10.85		10.90	0.000648	2.11	1753.74	410.25	0.14
1	5727	2-YR	323.00	3.08	6.57	4.28	6.61	0.001341	1.70	189.92	75.04	0.18
1	5727	10-YR	753.00	3.08	8.14	5.11	8.24	0.001726	2.54	301.39	133.18	0.21
1	5727	25-YR	1124.00	3.08	9.06	5.67	9.21	0.002038	3.14	367.35	175.75	0.24
1	5727	50-YR	1486.00	3.08	9.82	6.15	10.02	0.002267	3.62	422.48	226.47	0.26
1	5727	100-YR	1887.00	3.08	10.51	6.62	10.77	0.002558	4.12	471.57	244.86	0.28
1	5692		Culvert									
1	5652	2-YR	323.00	2.11	6.53	3.89	6.59	0.001747	1.97	164.24	54.51	0.20
1	5652	10-YR	753.00	2.11	8.05	5.02	8.18	0.002512	2.99	254.09	94.59	0.25
1	5652	25-YR	1124.00	2.11	8.90	5.75	9.11	0.003056	3.72	306.79	120.13	0.29
1	5652	50-YR	1486.00	2.11	9.58	6.34	9.87	0.003516	4.34	349.13	144.34	0.32
1	5652	100-YR	1887.00	2.11	10.15	6.90	10.54	0.004145	5.01	384.47	167.29	0.35
1	5589	2-YR	323.00	2.11	6.49		6.52	0.000603	1.23	261.93	83.40	0.12
1	5589	10-YR	753.00	2.11	8.01		8.06	0.000819	1.85	500.44	183.12	0.15
1	5589	25-YR	1124.00	2.11	8.87		8.94	0.000943	2.21	669.70	250.68	0.16
1	5589	50-YR	1486.00	2.11	9.57		9.66	0.001009	2.47	875.81	335.63	0.17
1	5589	100-YR	1887.00	2.11	10.17		10.27	0.001095	2.74	1104.77	415.27	0.18
1	5229	2-YR	349.00	1.61	6.17		6.21	0.001188	1.73	243.29	164.38	0.17
1	5229	10-YR	815.00	1.61	7.60		7.67	0.001382	2.37	554.11	240.75	0.19
1	5229	25-YR	1226.00	1.61	8.41		8.50	0.001529	2.77	756.59	260.93	0.21
1	5229	50-YR	1637.00	1.61	9.09		9.19	0.001620	3.08	956.50	320.52	0.22
1	5229	100-YR	2096.00	1.61	9.63		9.76	0.001809	3.44	1139.01	352.20	0.23
1	2851	2-YR	349.00	0.40	3.94		3.96	0.000769	1.07	434.79	404.96	0.13
1	2851	10-YR	815.00	0.40	4.85		4.88	0.001005	1.52	945.42	843.90	0.15

HEC-RAS Plan: Alt2 River: Parkers Creek Reach: 1 (Continued)

Reach	River Sta	Profile	Q Total	Min Ch El	W.S. Elev	Crit W.S.	E.G. Elev	E.G. Slope	Vel Chnl	Flow Area	Top Width	Froude # Chl
			(cfs)	(ft)	(ft)	(ft)	(ft)	(ft/ft)	(ft/s)	(sq ft)	(ft)	
1	2851	25-YR	1226.00	0.40	5.39		5.42	0.001104	1.73	1493.34	1103.81	0.16
1	2851	50-YR	1637.00	0.40	5.80		5.83	0.001234	1.78	1971.13	1230.52	0.17
1	2851	100-YR	2096.00	0.40	6.15		6.18	0.001259	1.90	2418.99	1333.05	0.18
1	327	2-YR	349.00	-2.00	2.41	-0.08	2.42	0.000500	1.07	1229.46	1592.77	0.11
1	327	10-YR	815.00	-2.00	3.14	1.90	3.15	0.000501	1.14	2566.41	2098.16	0.11
1	327	25-YR	1226.00	-2.00	3.62	2.15	3.62	0.000501	1.03	3771.01	3088.06	0.11
1	327	50-YR	1637.00	-2.00	3.94	2.30	3.94	0.000500	1.04	4869.90	3650.29	0.11
1	327	100-YR	2096.00	-2.00	4.28	2.38	4.28	0.000501	1.05	6220.61	4271.82	0.11

Parkers Creek - Alternative 3 Existing and Future Conditions

HEC-RAS River: Parkers Creek Reach: 1

Reach	River Sta	Profile	Plan	Q Total (cfs)	Min Ch El (ft)	W.S. Elev (ft)	Crit W.S. (ft)	E.G. Elev (ft)	E.G. Slope (ft/ft)	Vel Chnl (ft/s)	Flow Area (sq ft)	Top Width (ft)	Froude # Chl
1	29594	2-YR	ALT3(EX-Q)	175.00	22.50	26.40		26.44	0.001137	1.83	141.68	115.56	0.24
1	29594	2-YR	ALT3(FU-Q)	216.00	22.50	26.79		26.83	0.000909	1.71	192.57	141.53	0.22
1	29594	10-YR	ALT3(EX-Q)	382.00	22.50	27.83		27.86	0.000654	1.57	371.21	208.43	0.19
1	29594	10-YR	ALT3(FU-Q)	445.00	22.50	28.06		28.09	0.000637	1.65	420.91	232.09	0.19
1	29594	25-YR	ALT3(EX-Q)	549.00	22.50	28.38		28.41	0.000624	1.74	525.97	384.51	0.19
1	29594	25-YR	ALT3(FU-Q)	619.00	22.50	28.31		28.35	0.000874	2.04	497.47	363.68	0.22
1	29594	50-YR	ALT3(EX-Q)	705.00	22.50	28.68		28.71	0.000755	1.91	656.29	518.27	0.21
1	29594	50-YR	ALT3(FU-Q)	779.00	22.50	29.28		29.30	0.000422	1.62	1156.49	1027.93	0.16
1	29594	100-YR	ALT3(EX-Q)	874.00	22.50	29.91		29.92	0.000196	1.25	1915.92	1394.44	0.11
1	29594	100-YR	ALT3(FU-Q)	955.00	22.50	30.45		30.46	0.000117	1.05	2851.45	2632.39	0.09
1	29005	2-YR	ALT3(EX-Q)	175.00	21.00	25.80	23.62	25.86	0.000872	1.85	111.51	86.66	0.22
1	29005	2-YR	ALT3(FU-Q)	216.00	21.00	26.32	23.85	26.36	0.000696	1.73	163.71	936.17	0.20
1	29005	10-YR	ALT3(EX-Q)	382.00	21.00	27.48	24.58	27.52	0.000522	1.64	417.92	1368.25	0.17
1	29005	10-YR	ALT3(FU-Q)	445.00	21.00	27.75	24.81	27.78	0.000454	1.59	557.73	1512.04	0.16
1	29005	25-YR	ALT3(EX-Q)	549.00	21.00	28.10	25.19	28.13	0.000389	1.54	815.02	1882.57	0.15
1	29005	25-YR	ALT3(FU-Q)	619.00	21.00	28.32	25.49	28.32	0.000010	0.25	3068.38	2026.03	0.02
1	29005	50-YR	ALT3(EX-Q)	705.00	21.00	28.69	25.78	28.69	0.000007	0.23	3851.61	2169.26	0.02
1	29005	50-YR	ALT3(FU-Q)	779.00	21.00	29.29	25.97	29.29	0.000004	0.19	5188.48	2284.02	0.02
1	29005	100-YR	ALT3(EX-Q)	874.00	21.00	29.91	26.18	29.91	0.000003	0.17	6623.90	2319.37	0.01
1	29005	100-YR	ALT3(FU-Q)	955.00	21.00	30.45	26.32	30.45	0.000002	0.16	7884.82	2366.24	0.01
1	28619	2-YR	ALT3(EX-Q)	175.00	20.00	25.36		25.44	0.001369	2.25	77.68	29.00	0.24
1	28619	2-YR	ALT3(FU-Q)	216.00	20.00	25.92		26.00	0.001267	2.27	95.13	41.06	0.24
1	28619	10-YR	ALT3(EX-Q)	382.00	20.00	27.21		27.26	0.000880	2.03	483.70	691.01	0.20
1	28619	10-YR	ALT3(FU-Q)	445.00	20.00	27.54		27.57	0.000631	1.82	724.89	778.07	0.17
1	28619	25-YR	ALT3(EX-Q)	549.00	20.00	27.94		27.97	0.000457	1.65	1064.59	912.79	0.15
1	28619	25-YR	ALT3(FU-Q)	619.00	20.00	28.29		28.30	0.000334	1.48	1402.29	1031.77	0.13
1	28619	50-YR	ALT3(EX-Q)	705.00	20.00	28.67		28.68	0.000243	1.33	1824.61	1158.57	0.11
1	28619	50-YR	ALT3(FU-Q)	779.00	20.00	29.28		29.28	0.000133	1.05	2567.41	1283.79	0.08
1	28619	100-YR	ALT3(EX-Q)	874.00	20.00	29.90		29.91	0.000086	0.91	3424.93	1457.72	0.07
1	28619	100-YR	ALT3(FU-Q)	955.00	20.00	30.45		30.45	0.000057	0.79	4226.31	1508.02	0.06
1	28069	2-YR	ALT3(EX-Q)	175.00	19.52	24.92		24.97	0.000565	1.77	99.09	25.56	0.16
1	28069	2-YR	ALT3(FU-Q)	216.00	19.52	25.48		25.54	0.000586	1.90	113.90	27.00	0.16
1	28069	10-YR	ALT3(EX-Q)	382.00	19.52	26.63		26.72	0.001081	2.47	210.74	295.48	0.22
1	28069	10-YR	ALT3(FU-Q)	445.00	19.52	27.08		27.15	0.000936	2.28	450.68	776.85	0.21
1	28069	25-YR	ALT3(EX-Q)	549.00	19.52	27.67		27.70	0.000498	1.79	978.40	950.19	0.15
1	28069	25-YR	ALT3(FU-Q)	619.00	19.52	28.11		28.13	0.000305	1.50	1411.06	1033.38	0.12
1	28069	50-YR	ALT3(EX-Q)	705.00	19.52	28.54		28.56	0.000206	1.31	1872.25	1083.01	0.10
1	28069	50-YR	ALT3(FU-Q)	779.00	19.52	29.21		29.22	0.000109	1.03	2640.32	1229.87	0.08

HEC-RAS River: Parkers Creek Reach: 1 (Continued)

Reach	River Sta	Profile	Plan	Q Total (cfs)	Min Ch El (ft)	W.S. Elev (ft)	Crit W.S. (ft)	E.G. Elev (ft)	E.G. Slope (ft/ft)	Vel Chnl (ft/s)	Flow Area (sq ft)	Top Width (ft)	Froude # Chl
1	28069	100-YR	ALT3(EX-Q)	874.00	19.52	29.86		29.87	0.000069	0.88	3476.81	1305.64	0.06
1	28069	100-YR	ALT3(FU-Q)	955.00	19.52	30.42		30.42	0.000048	0.78	4203.34	1315.87	0.05
1	27993	2-YR	ALT3(EX-Q)	175.00	20.00	24.91	22.04	24.92	0.000224	0.97	180.38	89.10	0.10
1	27993	2-YR	ALT3(FU-Q)	216.00	20.00	25.48	22.22	25.50	0.000183	0.99	217.42	122.73	0.10
1	27993	10-YR	ALT3(EX-Q)	382.00	20.00	26.63	22.79	26.65	0.000214	1.31	292.02	820.16	0.11
1	27993	10-YR	ALT3(FU-Q)	445.00	20.00	27.07	22.97	27.10	0.000213	1.39	320.62	907.32	0.11
1	27993	25-YR	ALT3(EX-Q)	549.00	20.00	27.64	23.24	27.68	0.000224	1.53	357.82	971.07	0.12
1	27993	25-YR	ALT3(FU-Q)	619.00	20.00	28.06	23.40	28.10	0.000223	1.61	385.25	1033.59	0.12
1	27993	50-YR	ALT3(EX-Q)	705.00	20.00	28.49	23.58	28.53	0.000230	1.71	412.76	1072.28	0.12
1	27993	50-YR	ALT3(FU-Q)	779.00	20.00	29.15	23.73	29.19	0.000201	1.71	455.92	1180.34	0.11
1	27993	100-YR	ALT3(EX-Q)	874.00	20.00	29.80	23.89	29.85	0.000189	1.75	498.04	1283.58	0.11
1	27993	100-YR	ALT3(FU-Q)	955.00	20.00	30.35	24.01	30.40	0.000179	1.79	533.93	1327.89	0.11
1	27925			Culvert									
1	27864	2-YR	ALT3(EX-Q)	175.00	20.00	24.88	22.13	24.90	0.000247	1.16	150.64	64.33	0.12
1	27864	2-YR	ALT3(FU-Q)	216.00	20.00	25.44	22.32	25.46	0.000207	1.20	180.28	74.08	0.11
1	27864	10-YR	ALT3(EX-Q)	382.00	20.00	26.53	22.91	26.57	0.000256	1.61	237.96	275.09	0.13
1	27864	10-YR	ALT3(FU-Q)	445.00	20.00	26.94	23.09	26.99	0.000259	1.71	260.04	619.19	0.14
1	27864	25-YR	ALT3(EX-Q)	549.00	20.00	27.47	23.36	27.48	0.000133	1.26	894.93	714.24	0.10
1	27864	25-YR	ALT3(FU-Q)	619.00	20.00	27.84	23.53	27.85	0.000102	1.15	1170.22	782.93	0.09
1	27864	50-YR	ALT3(EX-Q)	705.00	20.00	28.18	23.72	28.19	0.000083	1.09	1450.27	818.84	0.08
1	27864	50-YR	ALT3(FU-Q)	779.00	20.00	28.77	23.87	28.78	0.000051	0.90	1950.93	876.11	0.06
1	27864	100-YR	ALT3(EX-Q)	874.00	20.00	29.31	24.07	29.32	0.000036	0.80	2433.32	906.88	0.05
1	27864	100-YR	ALT3(FU-Q)	955.00	20.00	29.76	24.20	29.77	0.000028	0.74	2847.45	930.94	0.05
1	27742	2-YR	ALT3(EX-Q)	231.00	20.00	24.79		24.84	0.000788	1.80	128.05	55.44	0.21
1	27742	2-YR	ALT3(FU-Q)	293.00	20.00	25.35		25.40	0.000947	1.71	171.77	93.27	0.22
1	27742	10-YR	ALT3(EX-Q)	469.00	20.00	26.49		26.52	0.000418	1.35	503.80	628.44	0.15
1	27742	10-YR	ALT3(FU-Q)	556.00	20.00	26.93		26.94	0.000241	1.14	819.75	784.85	0.12
1	27742	25-YR	ALT3(EX-Q)	661.00	20.00	27.45		27.46	0.000129	0.94	1253.95	847.14	0.09
1	27742	25-YR	ALT3(FU-Q)	746.00	20.00	27.82		27.83	0.000092	0.85	1571.78	860.07	0.08
1	27742	50-YR	ALT3(EX-Q)	825.00	20.00	28.17		28.18	0.000069	0.78	1875.19	868.47	0.07
1	27742	50-YR	ALT3(FU-Q)	917.00	20.00	28.77		28.77	0.000042	0.67	2391.83	881.17	0.05
1	27742	100-YR	ALT3(EX-Q)	1012.00	20.00	29.31		29.31	0.000030	0.61	2873.08	892.59	0.05
1	27742	100-YR	ALT3(FU-Q)	1090.00	20.00	29.76		29.76	0.000024	0.57	3278.33	902.06	0.04
1	27405	2-YR	ALT3(EX-Q)	231.00	20.00	24.71	21.03	24.73	0.000139	1.09	213.21	56.33	0.09
1	27405	2-YR	ALT3(FU-Q)	293.00	20.00	25.26	21.21	25.29	0.000147	1.22	244.44	60.40	0.10
1	27405	10-YR	ALT3(EX-Q)	469.00	20.00	26.39	21.64	26.42	0.000182	1.57	311.19	68.92	0.11

HEC-RAS River: Parkers Creek Reach: 1 (Continued)

Reach	River Sta	Profile	Plan	Q Total (cfs)	Min Ch El (ft)	W.S. Elev (ft)	Crit W.S. (ft)	E.G. Elev (ft)	E.G. Slope (ft/ft)	Vel Chnl (ft/s)	Flow Area (sq ft)	Top Width (ft)	Froude # Chl
1	27405	10-YR	ALT3(FU-Q)	556.00	20.00	26.81	21.84	26.86	0.000201	1.72	336.83	73.03	0.12
1	27405	25-YR	ALT3(EX-Q)	661.00	20.00	27.34	22.05	27.39	0.000215	1.88	368.41	99.82	0.13
1	27405	25-YR	ALT3(FU-Q)	746.00	20.00	27.71	22.22	27.77	0.000228	2.00	390.56	119.99	0.13
1	27405	50-YR	ALT3(EX-Q)	825.00	20.00	28.06	22.37	28.12	0.000237	2.11	411.46	125.08	0.14
1	27405	50-YR	ALT3(FU-Q)	917.00	20.00	28.65	22.54	28.72	0.000225	2.16	447.19	134.01	0.13
1	27405	100-YR	ALT3(EX-Q)	1012.00	20.00	29.20	22.71	29.27	0.000219	2.22	479.73	142.15	0.13
1	27405	100-YR	ALT3(FU-Q)	1090.00	20.00	29.65	22.84	29.72	0.000213	2.27	506.77	148.48	0.13
1	26948			Culvert									
1	26312	2-YR	ALT3(EX-Q)	231.00	19.00	24.53	20.29	24.55	0.000166	1.05	227.38	62.02	0.08
1	26312	2-YR	ALT3(FU-Q)	293.00	19.00	25.04	20.46	25.06	0.000190	1.19	260.03	172.93	0.09
1	26312	10-YR	ALT3(EX-Q)	469.00	19.00	25.99	20.91	26.03	0.000273	1.59	321.85	675.75	0.11
1	26312	10-YR	ALT3(FU-Q)	556.00	19.00	26.31	21.10	26.36	0.000320	1.78	343.15	853.92	0.12
1	26312	25-YR	ALT3(EX-Q)	661.00	19.00	26.73	21.33	26.78	0.000365	1.98	369.86	993.88	0.13
1	26312	25-YR	ALT3(FU-Q)	746.00	19.00	26.99	21.50	27.06	0.000407	2.14	387.09	1031.68	0.14
1	26312	50-YR	ALT3(EX-Q)	825.00	19.00	27.25	21.66	27.32	0.000440	2.27	403.64	1057.13	0.14
1	26312	50-YR	ALT3(FU-Q)	917.00	19.00	27.50	21.83	27.59	0.000482	2.43	420.42	1082.94	0.15
1	26312	100-YR	ALT3(EX-Q)	1012.00	19.00	27.78	22.00	27.88	0.000517	2.58	438.66	1110.97	0.16
1	26312	100-YR	ALT3(FU-Q)	1090.00	19.00	28.00	22.14	28.11	0.000546	2.70	452.69	1132.54	0.16
1	26272			Bridge									
1	26221	2-YR	ALT3(EX-Q)	231.00	19.00	24.50	20.45	24.51	0.000162	1.01	228.58	73.96	0.09
1	26221	2-YR	ALT3(FU-Q)	293.00	19.00	25.00	20.68	25.02	0.000176	1.13	259.01	82.09	0.10
1	26221	10-YR	ALT3(EX-Q)	469.00	19.00	25.89	21.21	25.93	0.000239	1.50	315.69	241.64	0.12
1	26221	10-YR	ALT3(FU-Q)	556.00	19.00	26.18	21.44	26.22	0.000279	1.68	334.59	438.68	0.13
1	26221	25-YR	ALT3(EX-Q)	661.00	19.00	26.54	21.70	26.59	0.000318	1.87	357.93	589.96	0.14
1	26221	25-YR	ALT3(FU-Q)	746.00	19.00	26.76	21.88	26.82	0.000358	2.03	371.99	699.10	0.15
1	26221	50-YR	ALT3(EX-Q)	825.00	19.00	26.96	22.06	27.03	0.000392	2.17	385.27	787.50	0.15
1	26221	50-YR	ALT3(FU-Q)	917.00	19.00	27.18	22.24	27.23	0.000298	1.94	1144.78	899.08	0.13
1	26221	100-YR	ALT3(EX-Q)	1012.00	19.00	27.40	22.42	27.45	0.000294	1.97	1346.67	962.24	0.13
1	26221	100-YR	ALT3(FU-Q)	1090.00	19.00	27.56	22.56	27.61	0.000294	2.00	1504.95	1015.22	0.14
1	26062	2-YR	ALT3(EX-Q)	261.00	18.80	24.43		24.47	0.000368	1.55	168.59	40.30	0.13
1	26062	2-YR	ALT3(FU-Q)	332.00	18.80	24.92		24.97	0.000436	1.76	188.65	42.09	0.15
1	26062	10-YR	ALT3(EX-Q)	517.00	18.80	25.77		25.85	0.000693	2.25	270.09	238.02	0.19
1	26062	10-YR	ALT3(FU-Q)	609.00	18.80	26.05		26.14	0.000766	2.45	365.80	428.47	0.20
1	26062	25-YR	ALT3(EX-Q)	728.00	18.80	26.41		26.50	0.000991	2.53	551.94	601.67	0.22
1	26062	25-YR	ALT3(FU-Q)	816.00	18.80	26.64		26.72	0.000950	2.57	702.62	711.72	0.22
1	26062	50-YR	ALT3(EX-Q)	898.00	18.80	26.86		26.94	0.000881	2.56	870.62	795.50	0.21

HEC-RAS River: Parkers Creek Reach: 1 (Continued)

Reach	River Sta	Profile	Plan	Q Total (cfs)	Min Ch El (ft)	W.S. Elev (ft)	Crit W.S. (ft)	E.G. Elev (ft)	E.G. Slope (ft/ft)	Vel Chnl (ft/s)	Flow Area (sq ft)	Top Width (ft)	Froude # Chl
1	26062	50-YR	ALT3(FU-Q)	995.00	18.80	27.07		27.15	0.000837	2.57	1046.22	849.31	0.21
1	26062	100-YR	ALT3(EX-Q)	1096.00	18.80	27.30		27.37	0.000773	2.55	1244.63	894.97	0.20
1	26062	100-YR	ALT3(FU-Q)	1192.00	18.80	27.46		27.53	0.000759	2.58	1391.28	927.31	0.20
1	25800	2-YR	ALT3(EX-Q)	261.00	18.80	24.35		24.38	0.000306	1.40	230.41	159.85	0.12
1	25800	2-YR	ALT3(FU-Q)	332.00	18.80	24.83		24.87	0.000329	1.51	360.22	386.37	0.13
1	25800	10-YR	ALT3(EX-Q)	517.00	18.80	25.68		25.72	0.000334	1.66	856.73	785.93	0.13
1	25800	10-YR	ALT3(FU-Q)	609.00	18.80	25.96		26.00	0.000338	1.73	1102.35	942.21	0.14
1	25800	25-YR	ALT3(EX-Q)	728.00	18.80	26.32		26.35	0.000311	1.74	1451.59	1012.45	0.13
1	25800	25-YR	ALT3(FU-Q)	816.00	18.80	26.55		26.58	0.000295	1.74	1691.78	1042.63	0.13
1	25800	50-YR	ALT3(EX-Q)	898.00	18.80	26.78		26.81	0.000276	1.73	1933.12	1080.92	0.13
1	25800	50-YR	ALT3(FU-Q)	995.00	18.80	27.00		27.02	0.000270	1.75	2170.80	1125.31	0.13
1	25800	100-YR	ALT3(EX-Q)	1096.00	18.80	27.23		27.25	0.000259	1.76	2436.39	1177.51	0.12
1	25800	100-YR	ALT3(FU-Q)	1192.00	18.80	27.39		27.41	0.000262	1.80	2628.10	1213.87	0.12
1	25404	2-YR	ALT3(EX-Q)	261.00	18.80	24.24		24.26	0.000281	1.34	230.68	219.76	0.12
1	25404	2-YR	ALT3(FU-Q)	332.00	18.80	24.71		24.74	0.000292	1.45	390.90	484.56	0.12
1	25404	10-YR	ALT3(EX-Q)	517.00	18.80	25.57		25.59	0.000272	1.54	1045.50	991.02	0.12
1	25404	10-YR	ALT3(FU-Q)	609.00	18.80	25.85		25.88	0.000267	1.57	1350.27	1111.65	0.12
1	25404	25-YR	ALT3(EX-Q)	728.00	18.80	26.21		26.23	0.000261	1.50	1764.89	1176.74	0.12
1	25404	25-YR	ALT3(FU-Q)	816.00	18.80	26.45		26.47	0.000252	1.46	2049.54	1205.18	0.12
1	25404	50-YR	ALT3(EX-Q)	898.00	18.80	26.68		26.69	0.000268	1.31	2333.74	1252.63	0.12
1	25404	50-YR	ALT3(FU-Q)	995.00	18.80	26.90		26.91	0.000247	1.30	2613.26	1276.61	0.11
1	25404	100-YR	ALT3(EX-Q)	1096.00	18.80	27.14		27.15	0.000225	1.29	2918.95	1305.45	0.11
1	25404	100-YR	ALT3(FU-Q)	1192.00	18.80	27.30		27.31	0.000222	1.31	3130.33	1329.90	0.11
1	25124	2-YR	ALT3(EX-Q)	261.00	18.77	24.08		24.14	0.000680	2.05	162.29	264.45	0.18
1	25124	2-YR	ALT3(FU-Q)	332.00	18.77	24.56		24.62	0.000666	2.12	358.95	576.20	0.18
1	25124	10-YR	ALT3(EX-Q)	517.00	18.77	25.46		25.50	0.000445	1.89	1131.70	1042.88	0.15
1	25124	10-YR	ALT3(FU-Q)	609.00	18.77	25.76		25.78	0.000390	1.84	1446.30	1106.19	0.14
1	25124	25-YR	ALT3(EX-Q)	728.00	18.77	26.13		26.15	0.000327	1.76	1871.64	1175.81	0.13
1	25124	25-YR	ALT3(FU-Q)	816.00	18.77	26.37		26.39	0.000300	1.73	2165.41	1231.87	0.12
1	25124	50-YR	ALT3(EX-Q)	898.00	18.77	26.60		26.62	0.000272	1.69	2449.52	1264.50	0.12
1	25124	50-YR	ALT3(FU-Q)	995.00	18.77	26.83		26.84	0.000255	1.67	2740.81	1297.10	0.12
1	25124	100-YR	ALT3(EX-Q)	1096.00	18.77	27.07		27.08	0.000235	1.65	3061.24	1332.04	0.11
1	25124	100-YR	ALT3(FU-Q)	1192.00	18.77	27.23		27.24	0.000234	1.67	3277.90	1354.65	0.11
1	24526	2-YR	ALT3(EX-Q)	261.00	18.00	23.65		23.70	0.000793	1.83	209.86	172.86	0.19
1	24526	2-YR	ALT3(FU-Q)	332.00	18.00	24.17		24.21	0.000674	1.79	355.94	350.17	0.18
1	24526	10-YR	ALT3(EX-Q)	517.00	18.00	25.22		25.24	0.000402	1.54	805.56	507.27	0.14
1	24526	10-YR	ALT3(FU-Q)	609.00	18.00	25.52		25.55	0.000392	1.55	972.82	570.80	0.14

HEC-RAS River: Parkers Creek Reach: 1 (Continued)

Reach	River Sta	Profile	Plan	Q Total (cfs)	Min Ch El (ft)	W.S. Elev (ft)	Crit W.S. (ft)	E.G. Elev (ft)	E.G. Slope (ft/ft)	Vel Chnl (ft/s)	Flow Area (sq ft)	Top Width (ft)	Froude # Chl
1	24526	25-YR	ALT3(EX-Q)	728.00	18.00	25.92		25.94	0.000364	1.56	1213.19	650.45	0.14
1	24526	25-YR	ALT3(FU-Q)	816.00	18.00	26.18		26.20	0.000342	1.57	1391.29	724.55	0.13
1	24526	50-YR	ALT3(EX-Q)	898.00	18.00	26.42		26.44	0.000311	1.55	1571.08	746.18	0.13
1	24526	50-YR	ALT3(FU-Q)	995.00	18.00	26.66		26.68	0.000294	1.56	1749.95	764.56	0.13
1	24526	100-YR	ALT3(EX-Q)	1096.00	18.00	26.91		26.93	0.000274	1.56	1947.10	782.70	0.12
1	24526	100-YR	ALT3(FU-Q)	1192.00	18.00	27.07		27.09	0.000277	1.60	2073.25	793.63	0.12
1	24050	2-YR	ALT3(EX-Q)	261.00	17.30	23.20		23.27	0.001037	2.04	128.18	46.75	0.22
1	24050	2-YR	ALT3(FU-Q)	332.00	17.30	23.77		23.84	0.000893	2.10	194.43	231.81	0.21
1	24050	10-YR	ALT3(EX-Q)	517.00	17.30	25.01		25.03	0.000441	1.60	704.01	489.93	0.15
1	24050	10-YR	ALT3(FU-Q)	609.00	17.30	25.33		25.36	0.000391	1.56	866.27	508.39	0.14
1	24050	25-YR	ALT3(EX-Q)	728.00	17.30	25.75		25.78	0.000322	1.52	1097.53	591.53	0.13
1	24050	25-YR	ALT3(FU-Q)	816.00	17.30	26.02		26.04	0.000293	1.51	1260.44	617.04	0.13
1	24050	50-YR	ALT3(EX-Q)	898.00	17.30	26.28		26.30	0.000266	1.49	1422.18	635.91	0.12
1	24050	50-YR	ALT3(FU-Q)	995.00	17.30	26.53		26.54	0.000253	1.51	1579.38	653.77	0.12
1	24050	100-YR	ALT3(EX-Q)	1096.00	17.30	26.79		26.81	0.000238	1.51	1753.94	672.03	0.12
1	24050	100-YR	ALT3(FU-Q)	1192.00	17.30	26.95		26.97	0.000243	1.56	1861.00	692.70	0.12
1	23635	2-YR	ALT3(EX-Q)	294.00	17.10	23.05		23.07	0.000251	1.29	227.14	56.41	0.11
1	23635	2-YR	ALT3(FU-Q)	361.00	17.10	23.61		23.64	0.000279	1.38	287.98	172.25	0.12
1	23635	10-YR	ALT3(EX-Q)	571.00	17.10	24.87		24.90	0.000262	1.42	736.58	516.52	0.12
1	23635	10-YR	ALT3(FU-Q)	662.00	17.10	25.20		25.23	0.000252	1.46	915.09	559.10	0.12
1	23635	25-YR	ALT3(EX-Q)	790.00	17.10	25.63		25.66	0.000239	1.51	1181.58	645.64	0.12
1	23635	25-YR	ALT3(FU-Q)	882.00	17.10	25.91		25.94	0.000230	1.53	1362.77	670.38	0.12
1	23635	50-YR	ALT3(EX-Q)	985.00	17.10	26.17		26.20	0.000227	1.57	1541.55	694.16	0.12
1	23635	50-YR	ALT3(FU-Q)	1090.00	17.10	26.42		26.44	0.000225	1.60	1714.83	716.52	0.12
1	23635	100-YR	ALT3(EX-Q)	1209.00	17.10	26.68		26.71	0.000222	1.64	1908.56	740.71	0.12
1	23635	100-YR	ALT3(FU-Q)	1305.00	17.10	26.84		26.87	0.000229	1.69	2024.15	756.07	0.12
1	23112	2-YR	ALT3(EX-Q)	294.00	17.05	22.62		22.77	0.002186	3.10	94.82	24.52	0.28
1	23112	2-YR	ALT3(FU-Q)	361.00	17.05	23.13		23.30	0.002332	3.35	107.82	28.75	0.29
1	23112	10-YR	ALT3(EX-Q)	571.00	17.05	24.44		24.59	0.001856	3.38	385.70	420.38	0.27
1	23112	10-YR	ALT3(FU-Q)	662.00	17.05	24.83		24.95	0.001560	3.22	559.36	482.36	0.25
1	23112	25-YR	ALT3(EX-Q)	790.00	17.05	25.32		25.41	0.001220	2.98	819.10	540.14	0.22
1	23112	25-YR	ALT3(FU-Q)	882.00	17.05	25.64		25.71	0.001043	2.83	988.67	551.40	0.20
1	23112	50-YR	ALT3(EX-Q)	985.00	17.05	25.92		25.98	0.000939	2.77	1145.05	560.24	0.19
1	23112	50-YR	ALT3(FU-Q)	1090.00	17.05	26.18		26.23	0.000868	2.74	1291.11	568.28	0.19
1	23112	100-YR	ALT3(EX-Q)	1209.00	17.05	26.45		26.51	0.000806	2.71	1451.04	603.51	0.18
1	23112	100-YR	ALT3(FU-Q)	1305.00	17.05	26.60		26.66	0.000811	2.76	1546.79	662.41	0.18
1	22625	2-YR	ALT3(EX-Q)	294.00	15.00	21.55		21.69	0.002232	2.93	100.41	30.64	0.29

HEC-RAS River: Parkers Creek Reach: 1 (Continued)

Reach	River Sta	Profile	Plan	Q Total (cfs)	Min Ch El (ft)	W.S. Elev (ft)	Crit W.S. (ft)	E.G. Elev (ft)	E.G. Slope (ft/ft)	Vel Chnl (ft/s)	Flow Area (sq ft)	Top Width (ft)	Froude # Chl
1	22625	2-YR	ALT3(FU-Q)	361.00	15.00	22.00		22.15	0.002369	3.15	114.53	32.73	0.30
1	22625	10-YR	ALT3(EX-Q)	571.00	15.00	23.39		23.57	0.002348	3.46	165.04	41.94	0.30
1	22625	10-YR	ALT3(FU-Q)	662.00	15.00	23.82		24.02	0.002311	3.62	184.07	46.43	0.31
1	22625	25-YR	ALT3(EX-Q)	790.00	15.00	24.37		24.59	0.002344	3.81	211.99	57.08	0.31
1	22625	25-YR	ALT3(FU-Q)	882.00	15.00	24.73		24.97	0.002263	3.94	234.21	65.92	0.31
1	22625	50-YR	ALT3(EX-Q)	985.00	15.00	25.01		25.27	0.002337	4.15	256.42	111.23	0.32
1	22625	50-YR	ALT3(FU-Q)	1090.00	15.00	25.26		25.55	0.002419	4.35	288.86	148.04	0.33
1	22625	100-YR	ALT3(EX-Q)	1209.00	15.00	25.52		25.84	0.002496	4.56	336.09	206.67	0.33
1	22625	100-YR	ALT3(FU-Q)	1305.00	15.00	25.61		25.96	0.002734	4.83	355.16	220.32	0.35
1	22188	2-YR	ALT3(EX-Q)	294.00	14.22	21.34	16.05	21.37	0.000306	1.46	201.03	36.66	0.11
1	22188	2-YR	ALT3(FU-Q)	361.00	14.22	21.74	16.31	21.78	0.000378	1.67	215.91	37.61	0.12
1	22188	10-YR	ALT3(EX-Q)	571.00	14.22	23.04	17.01	23.11	0.000527	2.14	266.91	90.49	0.15
1	22188	10-YR	ALT3(FU-Q)	662.00	14.22	23.44	17.28	23.52	0.000601	2.34	283.20	116.86	0.16
1	22188	25-YR	ALT3(EX-Q)	790.00	14.22	23.94	17.64	24.04	0.000700	2.60	304.31	164.57	0.17
1	22188	25-YR	ALT3(FU-Q)	882.00	14.22	24.29	17.88	24.40	0.000744	2.76	320.16	188.97	0.18
1	22188	50-YR	ALT3(EX-Q)	985.00	14.22	24.52	18.13	24.66	0.000836	2.99	332.08	204.74	0.19
1	22188	50-YR	ALT3(FU-Q)	1090.00	14.22	24.72	18.38	24.88	0.000939	3.22	342.83	217.69	0.20
1	22188	100-YR	ALT3(EX-Q)	1209.00	14.22	24.94	18.66	25.12	0.001056	3.48	355.00	245.83	0.22
1	22188	100-YR	ALT3(FU-Q)	1305.00	14.22	25.10	18.87	25.25	0.000935	3.32	637.31	253.93	0.20
1	21825	2-YR	ALT3(EX-Q)	294.00	13.36	21.25		21.28	0.000217	1.39	211.27	34.20	0.10
1	21825	2-YR	ALT3(FU-Q)	361.00	13.36	21.62		21.67	0.000278	1.61	224.28	34.91	0.11
1	21825	10-YR	ALT3(EX-Q)	571.00	13.36	22.87		22.94	0.000433	2.12	269.30	38.36	0.14
1	21825	10-YR	ALT3(FU-Q)	662.00	13.36	23.23		23.32	0.000535	2.33	283.82	41.70	0.16
1	21825	25-YR	ALT3(EX-Q)	790.00	13.36	23.69		23.79	0.000674	2.60	303.78	45.90	0.18
1	21825	25-YR	ALT3(FU-Q)	882.00	13.36	24.01		24.13	0.000773	2.76	319.05	49.36	0.19
1	21825	50-YR	ALT3(EX-Q)	985.00	13.36	24.20		24.34	0.000929	3.00	328.82	52.33	0.21
1	21825	50-YR	ALT3(FU-Q)	1090.00	13.36	24.35		24.52	0.001101	3.24	336.85	54.65	0.23
1	21825	100-YR	ALT3(EX-Q)	1209.00	13.36	24.51		24.70	0.001305	3.50	345.55	57.05	0.25
1	21825	100-YR	ALT3(FU-Q)	1305.00	13.36	24.61		24.82	0.001482	3.71	351.41	58.61	0.27
1	21432	2-YR	ALT3(EX-Q)	305.00	12.86	21.20		21.22	0.000110	1.06	287.95	49.31	0.08
1	21432	2-YR	ALT3(FU-Q)	367.00	12.86	21.56		21.59	0.000134	1.20	306.21	50.61	0.09
1	21432	10-YR	ALT3(EX-Q)	586.00	12.86	22.78		22.82	0.000204	1.58	370.36	54.92	0.11
1	21432	10-YR	ALT3(FU-Q)	672.00	12.86	23.12		23.17	0.000240	1.73	389.54	57.44	0.12
1	21432	25-YR	ALT3(EX-Q)	807.00	12.86	23.55		23.61	0.000298	1.94	444.79	222.02	0.13
1	21432	25-YR	ALT3(FU-Q)	901.00	12.86	23.86		23.93	0.000316	2.05	549.45	421.05	0.14
1	21432	50-YR	ALT3(EX-Q)	1012.00	12.86	24.03		24.11	0.000363	2.22	626.43	479.17	0.15
1	21432	50-YR	ALT3(FU-Q)	1115.00	12.86	24.16		24.25	0.000408	2.37	688.89	493.97	0.15
1	21432	100-YR	ALT3(EX-Q)	1242.00	12.86	24.29		24.39	0.000468	2.57	752.13	504.75	0.17

HEC-RAS River: Parkers Creek Reach: 1 (Continued)

Reach	River Sta	Profile	Plan	Q Total (cfs)	Min Ch El (ft)	W.S. Elev (ft)	Crit W.S. (ft)	E.G. Elev (ft)	E.G. Slope (ft/ft)	Vel Chnl (ft/s)	Flow Area (sq ft)	Top Width (ft)	Froude # Chl
1	21432	100-YR	ALT3(FU-Q)	1336.00	12.86	24.37		24.47	0.000516	2.71	791.99	511.43	0.17
1	21390	2-YR	ALT3(EX-Q)	305.00	12.86	21.12	17.03	21.19	0.000600	2.14	142.52	35.44	0.17
1	21390	2-YR	ALT3(FU-Q)	367.00	12.86	21.47	17.35	21.56	0.000687	2.40	152.91	36.93	0.19
1	21390	10-YR	ALT3(EX-Q)	586.00	12.86	22.62	18.27	22.77	0.000888	3.13	187.45	421.64	0.22
1	21390	10-YR	ALT3(FU-Q)	672.00	12.86	22.93	18.57	23.11	0.000991	3.41	196.88	459.52	0.23
1	21390	25-YR	ALT3(EX-Q)	807.00	12.86	23.30	19.01	23.54	0.001190	3.88	208.01	490.07	0.26
1	21390	25-YR	ALT3(FU-Q)	901.00	12.86	23.57	19.29	23.84	0.001306	4.17	216.13	516.95	0.27
1	21390	50-YR	ALT3(EX-Q)	1012.00	12.86	24.02	19.58	24.08	0.000595	2.24	1070.77	538.69	0.18
1	21390	50-YR	ALT3(FU-Q)	1115.00	12.86	24.15	19.82	24.21	0.000629	2.34	1140.70	544.56	0.18
1	21390	100-YR	ALT3(EX-Q)	1242.00	12.86	24.28	20.12	24.34	0.000683	2.48	1210.90	555.08	0.19
1	21390	100-YR	ALT3(FU-Q)	1336.00	12.86	24.36	20.32	24.43	0.000729	2.59	1255.05	561.59	0.20
1	21349			Culvert									
1	21300	2-YR	ALT3(EX-Q)	305.00	12.86	21.09	16.12	21.13	0.000263	1.61	189.36	73.18	0.11
1	21300	2-YR	ALT3(FU-Q)	367.00	12.86	21.42	16.35	21.47	0.000321	1.84	199.28	77.45	0.13
1	21300	10-YR	ALT3(EX-Q)	586.00	12.86	22.45	17.04	22.49	0.000344	1.51	454.07	340.54	0.12
1	21300	10-YR	ALT3(FU-Q)	672.00	12.86	22.69	17.28	22.73	0.000368	1.61	540.64	368.91	0.13
1	21300	25-YR	ALT3(EX-Q)	807.00	12.86	22.93	17.60	22.98	0.000432	1.80	630.85	383.80	0.14
1	21300	25-YR	ALT3(FU-Q)	901.00	12.86	23.14	17.82	23.19	0.000453	1.90	711.71	400.41	0.14
1	21300	50-YR	ALT3(EX-Q)	1012.00	12.86	23.34	18.06	23.40	0.000489	2.02	797.63	456.32	0.15
1	21300	50-YR	ALT3(FU-Q)	1115.00	12.86	23.51	18.28	23.57	0.000513	2.11	876.31	464.94	0.16
1	21300	100-YR	ALT3(EX-Q)	1242.00	12.86	23.70	18.54	23.77	0.000545	2.22	965.19	475.40	0.16
1	21300	100-YR	ALT3(FU-Q)	1336.00	12.86	23.84	18.72	23.91	0.000565	2.30	1029.48	483.39	0.17
1	21230	2-YR	ALT3(EX-Q)	305.00	12.50	21.06	16.45	21.10	0.000551	1.65	184.36	47.25	0.15
1	21230	2-YR	ALT3(FU-Q)	367.00	12.50	21.39	16.75	21.44	0.000650	1.83	200.34	59.46	0.16
1	21230	10-YR	ALT3(EX-Q)	586.00	12.50	22.35	17.63	22.43	0.000945	2.31	256.78	352.87	0.20
1	21230	10-YR	ALT3(FU-Q)	672.00	12.50	22.58	17.91	22.68	0.001038	2.51	278.87	417.91	0.21
1	21230	25-YR	ALT3(EX-Q)	807.00	12.50	22.89	18.32	22.94	0.000680	2.12	633.59	481.77	0.17
1	21230	25-YR	ALT3(FU-Q)	901.00	12.50	23.11	18.58	23.16	0.000628	2.10	743.40	534.41	0.17
1	21230	50-YR	ALT3(EX-Q)	1012.00	12.50	23.31	18.88	23.36	0.000602	2.11	855.18	566.13	0.16
1	21230	50-YR	ALT3(FU-Q)	1115.00	12.50	23.48	19.13	23.53	0.000584	2.13	955.70	593.85	0.16
1	21230	100-YR	ALT3(EX-Q)	1242.00	12.50	23.67	19.42	23.72	0.000572	2.15	1072.22	624.00	0.16
1	21230	100-YR	ALT3(FU-Q)	1336.00	12.50	23.81	19.65	23.85	0.000565	2.18	1158.54	649.55	0.16
1	20450	2-YR	ALT3(EX-Q)	305.00	11.92	20.80		20.81	0.000258	0.87	350.26	141.89	0.10
1	20450	2-YR	ALT3(FU-Q)	367.00	11.92	21.11		21.13	0.000260	0.93	395.69	147.62	0.10
1	20450	10-YR	ALT3(EX-Q)	586.00	11.92	22.05		22.07	0.000253	1.10	558.19	255.76	0.10
1	20450	10-YR	ALT3(FU-Q)	672.00	11.92	22.26		22.28	0.000274	1.19	615.76	299.82	0.11

HEC-RAS River: Parkers Creek Reach: 1 (Continued)

Reach	River Sta	Profile	Plan	Q Total (cfs)	Min Ch El (ft)	W.S. Elev (ft)	Crit W.S. (ft)	E.G. Elev (ft)	E.G. Slope (ft/ft)	Vel Chnl (ft/s)	Flow Area (sq ft)	Top Width (ft)	Froude # Chl
1	20450	25-YR	ALT3(EX-Q)	807.00	11.92	22.58		22.60	0.000296	1.30	718.02	348.49	0.11
1	20450	25-YR	ALT3(FU-Q)	901.00	11.92	22.79		22.82	0.000306	1.37	799.58	417.32	0.12
1	20450	50-YR	ALT3(EX-Q)	1012.00	11.92	22.98		23.02	0.000327	1.46	883.84	456.11	0.12
1	20450	50-YR	ALT3(FU-Q)	1115.00	11.92	23.15		23.18	0.000347	1.53	964.93	587.94	0.12
1	20450	100-YR	ALT3(EX-Q)	1242.00	11.92	23.33		23.37	0.000369	1.62	1082.50	679.71	0.13
1	20450	100-YR	ALT3(FU-Q)	1336.00	11.92	23.46		23.50	0.000380	1.68	1172.36	701.34	0.13
1	19831	2-YR	ALT3(EX-Q)	305.00	11.66	20.69		20.70	0.000139	0.83	367.21	116.11	0.08
1	19831	2-YR	ALT3(FU-Q)	367.00	11.66	20.99		21.00	0.000162	0.91	404.02	129.04	0.09
1	19831	10-YR	ALT3(EX-Q)	586.00	11.66	21.92		21.94	0.000191	1.06	635.89	356.17	0.10
1	19831	10-YR	ALT3(FU-Q)	672.00	11.66	22.12		22.13	0.000204	1.14	715.84	456.20	0.10
1	19831	25-YR	ALT3(EX-Q)	807.00	11.66	22.43		22.45	0.000208	1.21	865.69	507.93	0.11
1	19831	25-YR	ALT3(FU-Q)	901.00	11.66	22.64		22.66	0.000207	1.25	981.15	587.01	0.11
1	19831	50-YR	ALT3(EX-Q)	1012.00	11.66	22.83		22.85	0.000214	1.31	1098.21	654.02	0.11
1	19831	50-YR	ALT3(FU-Q)	1115.00	11.66	22.99		23.01	0.000220	1.36	1203.50	674.22	0.11
1	19831	100-YR	ALT3(EX-Q)	1242.00	11.66	23.16		23.19	0.000228	1.41	1321.98	696.27	0.11
1	19831	100-YR	ALT3(FU-Q)	1336.00	11.66	23.29		23.31	0.000232	1.45	1412.59	722.43	0.11
1	19151	2-YR	ALT3(EX-Q)	305.00	11.43	20.48		20.53	0.000538	1.81	169.66	58.46	0.16
1	19151	2-YR	ALT3(FU-Q)	367.00	11.43	20.73		20.80	0.000692	2.04	191.82	122.23	0.18
1	19151	10-YR	ALT3(EX-Q)	586.00	11.43	21.62		21.69	0.000839	2.27	448.11	430.34	0.20
1	19151	10-YR	ALT3(FU-Q)	672.00	11.43	21.81		21.88	0.000867	2.37	528.12	450.89	0.21
1	19151	25-YR	ALT3(EX-Q)	807.00	11.43	22.12		22.19	0.000856	2.45	686.05	553.02	0.21
1	19151	25-YR	ALT3(FU-Q)	901.00	11.43	22.34		22.40	0.000940	2.32	815.61	602.76	0.21
1	19151	50-YR	ALT3(EX-Q)	1012.00	11.43	22.52		22.58	0.000937	2.39	933.19	712.09	0.21
1	19151	50-YR	ALT3(FU-Q)	1115.00	11.43	22.68		22.74	0.000902	2.41	1054.06	789.40	0.21
1	19151	100-YR	ALT3(EX-Q)	1242.00	11.43	22.85		22.91	0.000877	2.44	1194.71	838.66	0.21
1	19151	100-YR	ALT3(FU-Q)	1336.00	11.43	22.98		23.04	0.000842	2.44	1306.03	864.37	0.21
1	18287	2-YR	ALT3(EX-Q)	425.00	11.26	20.19		20.22	0.000269	1.35	322.94	155.35	0.12
1	18287	2-YR	ALT3(FU-Q)	512.00	11.26	20.37		20.41	0.000332	1.54	355.81	198.92	0.13
1	18287	10-YR	ALT3(EX-Q)	821.00	11.26	21.19		21.24	0.000390	1.88	633.37	451.35	0.15
1	18287	10-YR	ALT3(FU-Q)	922.00	11.26	21.35		21.40	0.000416	1.98	704.55	468.35	0.15
1	18287	25-YR	ALT3(EX-Q)	1107.00	11.26	21.64		21.70	0.000437	2.11	847.99	496.43	0.16
1	18287	25-YR	ALT3(FU-Q)	1252.00	11.26	21.82		21.88	0.000464	2.22	937.01	511.82	0.16
1	18287	50-YR	ALT3(EX-Q)	1425.00	11.26	21.95		22.02	0.000531	2.41	1002.46	528.47	0.18
1	18287	50-YR	ALT3(FU-Q)	1570.00	11.26	22.05		22.13	0.000601	2.60	1061.27	595.98	0.19
1	18287	100-YR	ALT3(EX-Q)	1765.00	11.26	22.19		22.28	0.000659	2.76	1143.82	610.53	0.20
1	18287	100-YR	ALT3(FU-Q)	1913.00	11.26	22.31		22.40	0.000680	2.84	1220.59	632.07	0.20
1	17977	2-YR	ALT3(EX-Q)	425.00	11.26	20.10		20.13	0.000275	1.58	360.62	205.47	0.12

HEC-RAS River: Parkers Creek Reach: 1 (Continued)

Reach	River Sta	Profile	Plan	Q Total (cfs)	Min Ch El (ft)	W.S. Elev (ft)	Crit W.S. (ft)	E.G. Elev (ft)	E.G. Slope (ft/ft)	Vel Chnl (ft/s)	Flow Area (sq ft)	Top Width (ft)	Froude # Chl
1	17977	2-YR	ALT3(FU-Q)	512.00	11.26	20.26		20.31	0.000344	1.80	395.23	220.38	0.14
1	17977	10-YR	ALT3(EX-Q)	821.00	11.26	21.05		21.11	0.000422	2.19	632.97	397.30	0.16
1	17977	10-YR	ALT3(FU-Q)	922.00	11.26	21.19		21.26	0.000464	2.33	690.41	416.41	0.17
1	17977	25-YR	ALT3(EX-Q)	1107.00	11.26	21.48		21.55	0.000511	2.52	813.24	452.00	0.17
1	17977	25-YR	ALT3(FU-Q)	1252.00	11.26	21.64		21.72	0.000561	2.69	887.01	467.03	0.18
1	17977	50-YR	ALT3(EX-Q)	1425.00	11.26	21.73		21.83	0.000666	2.95	930.79	475.72	0.20
1	17977	50-YR	ALT3(FU-Q)	1570.00	11.26	21.81		21.92	0.000751	3.16	968.70	483.13	0.21
1	17977	100-YR	ALT3(EX-Q)	1765.00	11.26	21.91		22.03	0.000866	3.43	1017.65	492.65	0.23
1	17977	100-YR	ALT3(FU-Q)	1913.00	11.26	22.02		22.15	0.000925	3.58	1070.27	502.99	0.24
1	17681	2-YR	ALT3(EX-Q)	429.00	11.48	19.96	15.67	20.01	0.000697	1.79	241.18	344.70	0.18
1	17681	2-YR	ALT3(FU-Q)	520.00	11.48	20.07	16.01	20.14	0.000899	2.08	251.68	382.13	0.21
1	17681	10-YR	ALT3(EX-Q)	834.00	11.48	20.79	16.95	20.90	0.001157	2.71	315.67	471.45	0.24
1	17681	10-YR	ALT3(FU-Q)	939.00	11.48	21.05	17.22	21.09	0.000544	1.92	897.25	592.69	0.17
1	17681	25-YR	ALT3(EX-Q)	1124.00	11.48	21.33	17.64	21.37	0.000551	2.02	1089.18	742.12	0.17
1	17681	25-YR	ALT3(FU-Q)	1272.00	11.48	21.48	18.00	21.52	0.000581	2.12	1203.95	786.66	0.18
1	17681	50-YR	ALT3(EX-Q)	1447.00	11.48	21.54	18.40	21.59	0.000695	2.34	1252.90	800.18	0.19
1	17681	50-YR	ALT3(FU-Q)	1599.00	11.48	21.59	18.76	21.66	0.000794	2.52	1295.19	811.67	0.21
1	17681	100-YR	ALT3(EX-Q)	1795.00	11.48	21.66	19.16	21.73	0.000927	2.74	1349.23	854.79	0.22
1	17681	100-YR	ALT3(FU-Q)	1950.00	11.48	21.75	19.41	21.83	0.000978	2.86	1427.94	878.70	0.23
1	17595			Bridge									
1	17542	2-YR	ALT3(EX-Q)	429.00	11.48	19.88	15.45	19.92	0.000459	1.65	259.37	347.07	0.15
1	17542	2-YR	ALT3(FU-Q)	520.00	11.48	19.96	15.76	20.02	0.000630	1.96	264.93	363.50	0.18
1	17542	10-YR	ALT3(EX-Q)	834.00	11.48	20.46	16.66	20.53	0.000810	2.31	623.06	589.50	0.20
1	17542	10-YR	ALT3(FU-Q)	939.00	11.48	20.66	16.91	20.73	0.000779	2.34	749.51	664.67	0.20
1	17542	25-YR	ALT3(EX-Q)	1124.00	11.48	21.06	17.33	21.12	0.000634	2.25	1038.88	834.14	0.19
1	17542	25-YR	ALT3(FU-Q)	1272.00	11.48	21.29	17.64	21.35	0.000620	2.30	1261.23	1108.99	0.18
1	17542	50-YR	ALT3(EX-Q)	1447.00	11.48	21.34	17.99	21.41	0.000753	2.55	1312.50	1166.65	0.20
1	17542	50-YR	ALT3(FU-Q)	1599.00	11.48	21.38	18.27	21.45	0.000870	2.75	1357.95	1195.55	0.22
1	17542	100-YR	ALT3(EX-Q)	1795.00	11.48	21.44	18.59	21.53	0.001006	2.98	1432.06	1250.54	0.24
1	17542	100-YR	ALT3(FU-Q)	1950.00	11.48	21.60	18.83	21.69	0.000941	2.95	1652.95	1383.54	0.23
1	17391	2-YR	ALT3(EX-Q)	429.00	11.48	19.88		19.89	0.000052	0.62	1318.50	731.62	0.05
1	17391	2-YR	ALT3(FU-Q)	520.00	11.48	19.96		19.97	0.000068	0.72	1378.02	733.49	0.06
1	17391	10-YR	ALT3(EX-Q)	834.00	11.48	20.46		20.47	0.000089	0.88	1747.49	770.37	0.07
1	17391	10-YR	ALT3(FU-Q)	939.00	11.48	20.66		20.67	0.000089	0.90	1912.86	851.18	0.07
1	17391	25-YR	ALT3(EX-Q)	1124.00	11.48	21.06		21.07	0.000081	0.91	2262.93	899.63	0.07
1	17391	25-YR	ALT3(FU-Q)	1272.00	11.48	21.29		21.30	0.000082	0.94	2480.15	1015.29	0.07
1	17391	50-YR	ALT3(EX-Q)	1447.00	11.48	21.33		21.34	0.000101	1.05	2526.38	1080.01	0.08

HEC-RAS River: Parkers Creek Reach: 1 (Continued)

Reach	River Sta	Profile	Plan	Q Total (cfs)	Min Ch El (ft)	W.S. Elev (ft)	Crit W.S. (ft)	E.G. Elev (ft)	E.G. Slope (ft/ft)	Vel Chnl (ft/s)	Flow Area (sq ft)	Top Width (ft)	Froude # Chl
1	17391	50-YR	ALT3(FU-Q)	1599.00	11.48	21.37		21.38	0.000119	1.14	2567.54	1126.36	0.08
1	17391	100-YR	ALT3(EX-Q)	1795.00	11.48	21.43		21.44	0.000141	1.25	2635.63	1186.51	0.09
1	17391	100-YR	ALT3(FU-Q)	1950.00	11.48	21.60		21.61	0.000142	1.28	2834.68	1239.81	0.09
1	17239	2-YR	ALT3(EX-Q)	429.00	11.00	19.88		19.88	0.000021	0.35	2069.52	927.73	0.03
1	17239	2-YR	ALT3(FU-Q)	520.00	11.00	19.96		19.96	0.000028	0.40	2143.94	932.47	0.04
1	17239	10-YR	ALT3(EX-Q)	834.00	11.00	20.45		20.46	0.000039	0.52	2614.54	973.22	0.04
1	17239	10-YR	ALT3(FU-Q)	939.00	11.00	20.65		20.66	0.000040	0.54	2812.99	1026.57	0.05
1	17239	25-YR	ALT3(EX-Q)	1124.00	11.00	21.05		21.06	0.000040	0.58	3250.67	1156.23	0.05
1	17239	25-YR	ALT3(FU-Q)	1272.00	11.00	21.28		21.29	0.000042	0.61	3536.68	1337.78	0.05
1	17239	50-YR	ALT3(EX-Q)	1447.00	11.00	21.33		21.33	0.000052	0.68	3594.45	1391.81	0.05
1	17239	50-YR	ALT3(FU-Q)	1599.00	11.00	21.36		21.37	0.000062	0.74	3645.25	1442.84	0.06
1	17239	100-YR	ALT3(EX-Q)	1795.00	11.00	21.42		21.42	0.000073	0.82	3728.54	1506.06	0.06
1	17239	100-YR	ALT3(FU-Q)	1950.00	11.00	21.58		21.59	0.000074	0.84	3985.65	1627.35	0.06
1	17049	2-YR	ALT3(EX-Q)	429.00	11.00	19.87		19.87	0.000053	0.54	1335.76	722.65	0.05
1	17049	2-YR	ALT3(FU-Q)	520.00	11.00	19.95		19.95	0.000069	0.63	1392.64	743.68	0.06
1	17049	10-YR	ALT3(EX-Q)	834.00	11.00	20.44		20.44	0.000093	0.80	1794.26	925.21	0.07
1	17049	10-YR	ALT3(FU-Q)	939.00	11.00	20.64		20.64	0.000092	0.82	1986.34	999.04	0.07
1	17049	25-YR	ALT3(EX-Q)	1124.00	11.00	21.04		21.04	0.000087	0.85	2417.27	1186.13	0.07
1	17049	25-YR	ALT3(FU-Q)	1272.00	11.00	21.27		21.27	0.000121	1.03	2725.43	1495.14	0.08
1	17049	50-YR	ALT3(EX-Q)	1447.00	11.00	21.31		21.31	0.000148	1.14	2784.04	1562.23	0.09
1	17049	50-YR	ALT3(FU-Q)	1599.00	11.00	21.34		21.35	0.000172	1.24	2834.81	1591.11	0.10
1	17049	100-YR	ALT3(EX-Q)	1795.00	11.00	21.39		21.40	0.000202	1.35	2919.44	1631.99	0.10
1	17049	100-YR	ALT3(FU-Q)	1950.00	11.00	21.56		21.57	0.000192	1.34	3202.78	1798.12	0.10
1	16922	2-YR	ALT3(EX-Q)	429.00	11.00	19.79	15.28	19.84	0.000663	1.85	240.36	1061.60	0.16
1	16922	2-YR	ALT3(FU-Q)	520.00	11.00	19.83	15.62	19.90	0.000955	2.21	243.51	1076.44	0.20
1	16922	10-YR	ALT3(EX-Q)	834.00	11.00	20.20	16.60	20.36	0.001936	3.20	275.38	1289.32	0.28
1	16922	10-YR	ALT3(FU-Q)	939.00	11.00	20.37	16.89	20.56	0.002119	3.45	290.79	1409.91	0.30
1	16922	25-YR	ALT3(EX-Q)	1124.00	11.00	20.73	17.34	20.94	0.002253	3.76	323.94	1486.64	0.31
1	16922	25-YR	ALT3(FU-Q)	1272.00	11.00	20.90	17.66	21.15	0.002528	4.08	339.47	1504.29	0.33
1	16922	50-YR	ALT3(EX-Q)	1447.00	11.00	20.81	18.01	21.15	0.003501	4.74	331.45	1495.17	0.39
1	16922	50-YR	ALT3(FU-Q)	1599.00	11.00	20.71	18.28	21.15	0.004647	5.37	321.77	1484.18	0.45
1	16922	100-YR	ALT3(EX-Q)	1795.00	11.00	21.36	18.61	21.36	0.000174	1.14	3668.23	1815.33	0.09
1	16922	100-YR	ALT3(FU-Q)	1950.00	11.00	21.52	18.86	21.53	0.000169	1.14	3983.35	1984.37	0.09
1	16870			Bridge									
1	16813	2-YR	ALT3(EX-Q)	429.00	11.00	19.74	14.42	19.76	0.000209	1.22	352.10	1141.21	0.10
1	16813	2-YR	ALT3(FU-Q)	520.00	11.00	19.76	14.70	19.79	0.000303	1.47	353.43	1153.51	0.12

HEC-RAS River: Parkers Creek Reach: 1 (Continued)

Reach	River Sta	Profile	Plan	Q Total (cfs)	Min Ch El (ft)	W.S. Elev (ft)	Crit W.S. (ft)	E.G. Elev (ft)	E.G. Slope (ft/ft)	Vel Chnl (ft/s)	Flow Area (sq ft)	Top Width (ft)	Froude # Chl
1	16813	10-YR	ALT3(EX-Q)	834.00	11.00	19.99	15.47	20.06	0.000669	2.25	369.92	1222.81	0.18
1	16813	10-YR	ALT3(FU-Q)	939.00	11.00	20.08	15.70	20.09	0.000197	1.03	1935.54	1250.13	0.09
1	16813	25-YR	ALT3(EX-Q)	1124.00	11.00	20.25	16.07	20.26	0.000220	1.12	2161.28	1307.33	0.10
1	16813	25-YR	ALT3(FU-Q)	1272.00	11.00	20.47	16.34	20.48	0.000211	1.13	2452.13	1382.89	0.10
1	16813	50-YR	ALT3(EX-Q)	1447.00	11.00	20.70	16.62	20.71	0.000203	1.15	2778.65	1448.06	0.10
1	16813	50-YR	ALT3(FU-Q)	1599.00	11.00	20.93	16.86	20.94	0.000189	1.14	3115.69	1519.45	0.09
1	16813	100-YR	ALT3(EX-Q)	1795.00	11.00	21.18	17.18	21.19	0.000179	1.15	3513.45	1637.27	0.09
1	16813	100-YR	ALT3(FU-Q)	1950.00	11.00	21.38	17.42	21.39	0.000169	1.15	3859.73	1780.46	0.09
1	16629	2-YR	ALT3(EX-Q)	429.00	10.50	19.73		19.73	0.000063	0.59	1418.53	1093.24	0.05
1	16629	2-YR	ALT3(FU-Q)	520.00	10.50	19.75		19.75	0.000091	0.71	1435.83	1100.54	0.06
1	16629	10-YR	ALT3(EX-Q)	834.00	10.50	19.98		19.98	0.000156	0.97	1700.16	1200.74	0.08
1	16629	10-YR	ALT3(FU-Q)	939.00	10.50	20.05		20.06	0.000174	1.03	1793.73	1231.97	0.09
1	16629	25-YR	ALT3(EX-Q)	1124.00	10.50	20.23		20.24	0.000187	1.10	2016.59	1327.69	0.09
1	16629	25-YR	ALT3(FU-Q)	1272.00	10.50	20.45		20.45	0.000171	1.09	2327.93	1555.18	0.09
1	16629	50-YR	ALT3(EX-Q)	1447.00	10.50	20.68		20.69	0.000158	1.08	2709.28	1681.00	0.08
1	16629	50-YR	ALT3(FU-Q)	1599.00	10.50	20.91		20.91	0.000138	1.04	3103.05	1747.50	0.08
1	16629	100-YR	ALT3(EX-Q)	1795.00	10.50	21.16		21.17	0.000126	1.02	3561.05	1848.65	0.08
1	16629	100-YR	ALT3(FU-Q)	1950.00	10.50	21.37		21.37	0.000115	1.00	3951.78	1951.62	0.07
1	16473	2-YR	ALT3(EX-Q)	429.00	10.50	19.72		19.73	0.000061	0.61	1410.27	921.10	0.05
1	16473	2-YR	ALT3(FU-Q)	520.00	10.50	19.73		19.74	0.000088	0.74	1421.13	938.79	0.06
1	16473	10-YR	ALT3(EX-Q)	834.00	10.50	19.95		19.96	0.000165	1.05	1646.53	1115.42	0.08
1	16473	10-YR	ALT3(FU-Q)	939.00	10.50	20.02		20.03	0.000207	1.19	1728.99	1199.89	0.10
1	16473	25-YR	ALT3(EX-Q)	1124.00	10.50	20.19		20.21	0.000228	1.27	1947.54	1387.61	0.10
1	16473	25-YR	ALT3(FU-Q)	1272.00	10.50	20.42		20.43	0.000209	1.26	2280.36	1565.44	0.10
1	16473	50-YR	ALT3(EX-Q)	1447.00	10.50	20.65		20.66	0.000195	1.25	2658.41	1681.80	0.09
1	16473	50-YR	ALT3(FU-Q)	1599.00	10.50	20.88		20.89	0.000173	1.21	3073.58	1841.13	0.09
1	16473	100-YR	ALT3(EX-Q)	1795.00	10.50	21.14		21.15	0.000154	1.18	3566.72	2004.94	0.08
1	16473	100-YR	ALT3(FU-Q)	1950.00	10.50	21.35		21.35	0.000139	1.14	3997.69	2177.47	0.08
1	16107	2-YR	ALT3(EX-Q)	427.00	9.95	19.71		19.71	0.000039	0.53	1419.44	789.92	0.04
1	16107	2-YR	ALT3(FU-Q)	522.00	9.95	19.71		19.71	0.000058	0.65	1422.14	790.29	0.05
1	16107	10-YR	ALT3(EX-Q)	880.00	9.95	19.89		19.91	0.000140	1.03	1572.63	823.11	0.08
1	16107	10-YR	ALT3(FU-Q)	1001.00	9.95	19.95		19.97	0.000171	1.15	1620.37	825.88	0.09
1	16107	25-YR	ALT3(EX-Q)	1183.00	9.95	20.11		20.13	0.000205	1.28	1752.56	833.48	0.10
1	16107	25-YR	ALT3(FU-Q)	1341.00	9.95	20.33		20.35	0.000215	1.35	1936.93	843.45	0.10
1	16107	50-YR	ALT3(EX-Q)	1516.00	9.95	20.57		20.59	0.000223	1.41	2135.48	853.98	0.10
1	16107	50-YR	ALT3(FU-Q)	1684.00	9.95	20.80		20.82	0.000225	1.46	2337.32	864.85	0.11
1	16107	100-YR	ALT3(EX-Q)	1884.00	9.95	21.06		21.08	0.000229	1.51	2562.90	875.00	0.11
1	16107	100-YR	ALT3(FU-Q)	2057.00	9.95	21.27		21.29	0.000232	1.55	2745.69	883.13	0.11

HEC-RAS River: Parkers Creek Reach: 1 (Continued)

Reach	River Sta	Profile	Plan	Q Total (cfs)	Min Ch El (ft)	W.S. Elev (ft)	Crit W.S. (ft)	E.G. Elev (ft)	E.G. Slope (ft/ft)	Vel Chnl (ft/s)	Flow Area (sq ft)	Top Width (ft)	Froude # Chl
1	15942	2-YR	ALT3(EX-Q)	427.00	10.00	19.69	14.47	19.70	0.000115	0.84	1168.52	836.59	0.07
1	15942	2-YR	ALT3(FU-Q)	522.00	10.00	19.69	14.85	19.70	0.000170	1.02	1166.35	836.36	0.08
1	15942	10-YR	ALT3(EX-Q)	880.00	10.00	19.85	15.91	19.87	0.000378	1.56	1303.38	846.91	0.13
1	15942	10-YR	ALT3(FU-Q)	1001.00	10.00	19.90	16.22	19.93	0.000453	1.72	1345.66	849.81	0.14
1	15942	25-YR	ALT3(EX-Q)	1183.00	10.00	20.06	16.63	20.08	0.000501	1.85	1477.55	858.81	0.15
1	15942	25-YR	ALT3(FU-Q)	1341.00	10.00	20.28	16.97	20.30	0.000468	1.84	1671.32	870.51	0.14
1	15942	50-YR	ALT3(EX-Q)	1516.00	10.00	20.52	18.03	20.54	0.000437	1.83	1879.34	882.00	0.14
1	15942	50-YR	ALT3(FU-Q)	1684.00	10.00	20.76	18.24	20.78	0.000404	1.81	2090.53	898.06	0.14
1	15942	100-YR	ALT3(EX-Q)	1884.00	10.00	21.02	18.40	21.04	0.000375	1.80	2326.87	908.59	0.13
1	15942	100-YR	ALT3(FU-Q)	2057.00	10.00	21.23	18.54	21.25	0.000357	1.80	2517.85	916.42	0.13
1	15895			Culvert									
1	15845	2-YR	ALT3(EX-Q)	427.00	9.80	19.69	14.26	19.70	0.000117	0.79	1219.40	853.09	0.07
1	15845	2-YR	ALT3(FU-Q)	522.00	9.80	19.69	14.68	19.70	0.000176	0.96	1216.90	852.98	0.08
1	15845	10-YR	ALT3(EX-Q)	880.00	9.80	19.85	16.08	19.86	0.000380	1.45	1353.77	858.78	0.13
1	15845	10-YR	ALT3(FU-Q)	1001.00	9.80	19.90	16.51	19.92	0.000451	1.60	1399.47	860.70	0.14
1	15845	25-YR	ALT3(EX-Q)	1183.00	9.80	20.05	17.00	20.07	0.000495	1.71	1530.17	866.19	0.14
1	15845	25-YR	ALT3(FU-Q)	1341.00	9.80	20.28	17.88	20.30	0.000457	1.70	1726.18	874.34	0.14
1	15845	50-YR	ALT3(EX-Q)	1516.00	9.80	20.52	18.09	20.54	0.000422	1.69	1937.89	882.72	0.14
1	15845	50-YR	ALT3(FU-Q)	1684.00	9.80	20.75	18.25	20.77	0.000390	1.68	2142.46	890.74	0.13
1	15845	100-YR	ALT3(EX-Q)	1884.00	9.80	21.00	18.45	21.02	0.000366	1.68	2367.23	899.27	0.13
1	15845	100-YR	ALT3(FU-Q)	2057.00	9.80	21.22	18.58	21.23	0.000346	1.68	2561.52	906.19	0.13
1	15748	2-YR	ALT3(EX-Q)	427.00	9.50	19.68		19.69	0.000083	0.70	1297.64	727.12	0.06
1	15748	2-YR	ALT3(FU-Q)	522.00	9.50	19.67		19.68	0.000126	0.85	1292.36	726.68	0.07
1	15748	10-YR	ALT3(EX-Q)	880.00	9.50	19.82		19.83	0.000291	1.33	1397.13	735.19	0.11
1	15748	10-YR	ALT3(FU-Q)	1001.00	9.50	19.87		19.88	0.000353	1.47	1431.79	737.49	0.12
1	15748	25-YR	ALT3(EX-Q)	1183.00	9.50	20.01		20.03	0.000406	1.61	1540.31	744.65	0.13
1	15748	25-YR	ALT3(FU-Q)	1341.00	9.50	20.24		20.26	0.000392	1.64	1710.57	755.74	0.13
1	15748	50-YR	ALT3(EX-Q)	1516.00	9.50	20.48		20.50	0.000377	1.66	1895.48	767.61	0.13
1	15748	50-YR	ALT3(FU-Q)	1684.00	9.50	20.71		20.73	0.000362	1.67	2075.10	780.33	0.13
1	15748	100-YR	ALT3(EX-Q)	1884.00	9.50	20.97		20.98	0.000350	1.70	2273.52	794.66	0.13
1	15748	100-YR	ALT3(FU-Q)	2057.00	9.50	21.18		21.20	0.000341	1.71	2446.60	810.73	0.12
1	15588	2-YR	ALT3(EX-Q)	427.00	9.40	19.58	13.74	19.64	0.000361	2.10	209.70	669.49	0.13
1	15588	2-YR	ALT3(FU-Q)	522.00	9.40	19.66	14.08	19.67	0.000094	0.86	1164.44	675.87	0.07
1	15588	10-YR	ALT3(EX-Q)	880.00	9.40	19.36	15.20	19.66	0.001694	4.46	203.33	637.22	0.29
1	15588	10-YR	ALT3(FU-Q)	1001.00	9.40	19.26	15.52	19.66	0.002298	5.15	200.40	617.95	0.33
1	15588	25-YR	ALT3(EX-Q)	1183.00	9.40	19.96	15.97	19.98	0.000320	1.65	1371.35	698.30	0.12

HEC-RAS River: Parkers Creek Reach: 1 (Continued)

Reach	River Sta	Profile	Plan	Q Total (cfs)	Min Ch El (ft)	W.S. Elev (ft)	Crit W.S. (ft)	E.G. Elev (ft)	E.G. Slope (ft/ft)	Vel Chnl (ft/s)	Flow Area (sq ft)	Top Width (ft)	Froude # Chl
1	15588	25-YR	ALT3(FU-Q)	1341.00	9.40	20.19	16.36	20.21	0.000308	1.67	1533.72	716.78	0.12
1	15588	50-YR	ALT3(EX-Q)	1516.00	9.40	20.44	16.75	20.46	0.000295	1.67	1711.71	731.84	0.12
1	15588	50-YR	ALT3(FU-Q)	1684.00	9.40	20.67	17.09	20.69	0.000280	1.67	1884.76	742.52	0.12
1	15588	100-YR	ALT3(EX-Q)	1884.00	9.40	20.92	17.48	20.94	0.000270	1.69	2074.76	754.08	0.11
1	15588	100-YR	ALT3(FU-Q)	2057.00	9.40	21.14	17.80	21.16	0.000260	1.69	2240.00	763.99	0.11
1	15557			Culvert									
1	15522	2-YR	ALT3(EX-Q)	427.00	9.69	17.15	13.61	17.36	0.001495	3.72	114.93	65.30	0.27
1	15522	2-YR	ALT3(FU-Q)	522.00	9.69	17.67	13.96	17.95	0.001693	4.18	124.89	77.56	0.29
1	15522	10-YR	ALT3(EX-Q)	880.00	9.69	19.12	15.16	19.18	0.000683	2.22	690.36	589.76	0.18
1	15522	10-YR	ALT3(FU-Q)	1001.00	9.69	19.54	15.52	19.57	0.000534	1.87	942.86	627.82	0.15
1	15522	25-YR	ALT3(EX-Q)	1183.00	9.69	19.93	16.04	19.96	0.000421	1.75	1201.07	677.41	0.14
1	15522	25-YR	ALT3(FU-Q)	1341.00	9.69	20.17	16.47	20.20	0.000395	1.75	1363.11	693.28	0.13
1	15522	50-YR	ALT3(EX-Q)	1516.00	9.69	20.42	16.93	20.44	0.000370	1.75	1537.55	706.72	0.13
1	15522	50-YR	ALT3(FU-Q)	1684.00	9.69	20.65	17.35	20.67	0.000350	1.75	1699.93	717.29	0.13
1	15522	100-YR	ALT3(EX-Q)	1884.00	9.69	20.91	18.00	20.93	0.000330	1.74	1889.28	729.42	0.13
1	15522	100-YR	ALT3(FU-Q)	2057.00	9.69	21.13	18.00	21.15	0.000314	1.74	2050.27	738.79	0.12
1	15417	2-YR	ALT3(EX-Q)	427.00	9.91	17.13		17.19	0.000637	1.95	237.51	107.73	0.16
1	15417	2-YR	ALT3(FU-Q)	522.00	9.91	17.68		17.74	0.000610	2.02	314.70	193.34	0.16
1	15417	10-YR	ALT3(EX-Q)	880.00	9.91	19.07		19.11	0.000438	1.87	742.94	404.27	0.14
1	15417	10-YR	ALT3(FU-Q)	1001.00	9.91	19.48		19.52	0.000432	1.90	932.42	535.61	0.14
1	15417	25-YR	ALT3(EX-Q)	1183.00	9.91	19.88		19.91	0.000396	1.86	1187.49	662.78	0.14
1	15417	25-YR	ALT3(FU-Q)	1341.00	9.91	20.12		20.15	0.000371	1.86	1347.12	666.21	0.13
1	15417	50-YR	ALT3(EX-Q)	1516.00	9.91	20.37		20.40	0.000349	1.85	1515.68	669.81	0.13
1	15417	50-YR	ALT3(FU-Q)	1684.00	9.91	20.60		20.63	0.000331	1.85	1670.55	673.11	0.13
1	15417	100-YR	ALT3(EX-Q)	1884.00	9.91	20.87		20.90	0.000313	1.84	1848.98	677.37	0.12
1	15417	100-YR	ALT3(FU-Q)	2057.00	9.91	21.09		21.12	0.000300	1.84	1999.38	683.33	0.12
1	14659	2-YR	ALT3(EX-Q)	427.00	9.40	16.32		16.44	0.001706	2.74	158.08	50.55	0.26
1	14659	2-YR	ALT3(FU-Q)	522.00	9.40	16.90		17.03	0.001569	2.86	191.61	74.39	0.25
1	14659	10-YR	ALT3(EX-Q)	880.00	9.40	18.37		18.52	0.001663	3.27	391.67	258.52	0.27
1	14659	10-YR	ALT3(FU-Q)	1001.00	9.40	18.78		18.92	0.001866	3.15	515.86	334.44	0.28
1	14659	25-YR	ALT3(EX-Q)	1183.00	9.40	19.25		19.37	0.001567	3.11	680.78	368.41	0.26
1	14659	25-YR	ALT3(FU-Q)	1341.00	9.40	19.51		19.64	0.001545	3.21	777.26	377.57	0.26
1	14659	50-YR	ALT3(EX-Q)	1516.00	9.40	19.78		19.91	0.001518	3.30	880.80	387.16	0.26
1	14659	50-YR	ALT3(FU-Q)	1684.00	9.40	20.03		20.16	0.001495	3.38	977.33	405.51	0.26
1	14659	100-YR	ALT3(EX-Q)	1884.00	9.40	20.31		20.44	0.001462	3.46	1098.48	451.94	0.26
1	14659	100-YR	ALT3(FU-Q)	2057.00	9.40	20.54		20.68	0.001427	3.52	1209.26	484.40	0.26

HEC-RAS River: Parkers Creek Reach: 1 (Continued)

Reach	River Sta	Profile	Plan	Q Total (cfs)	Min Ch El (ft)	W.S. Elev (ft)	Crit W.S. (ft)	E.G. Elev (ft)	E.G. Slope (ft/ft)	Vel Chnl (ft/s)	Flow Area (sq ft)	Top Width (ft)	Froude # Chl
1	13848	2-YR	ALT3(EX-Q)	427.00	9.03	15.62		15.68	0.000565	1.99	214.87	49.55	0.17
1	13848	2-YR	ALT3(FU-Q)	522.00	9.03	16.15		16.22	0.000662	2.15	242.72	56.35	0.18
1	13848	10-YR	ALT3(EX-Q)	880.00	9.03	17.40		17.51	0.000949	2.69	352.75	168.73	0.22
1	13848	10-YR	ALT3(FU-Q)	1001.00	9.03	17.70		17.82	0.001023	2.83	407.33	202.64	0.23
1	13848	25-YR	ALT3(EX-Q)	1183.00	9.03	18.15		18.27	0.001199	2.88	519.36	275.53	0.25
1	13848	25-YR	ALT3(FU-Q)	1341.00	9.03	18.44		18.56	0.001159	2.96	600.04	295.31	0.25
1	13848	50-YR	ALT3(EX-Q)	1516.00	9.03	18.75		18.87	0.001101	3.01	697.40	334.57	0.24
1	13848	50-YR	ALT3(FU-Q)	1684.00	9.03	19.03		19.15	0.001042	3.05	796.91	365.91	0.24
1	13848	100-YR	ALT3(EX-Q)	1884.00	9.03	19.37		19.49	0.000958	3.05	938.11	457.64	0.23
1	13848	100-YR	ALT3(FU-Q)	2057.00	9.03	19.66		19.77	0.000895	3.05	1079.80	531.91	0.23
1	13253	2-YR	ALT3(EX-Q)	427.00	8.65	14.99		15.11	0.002000	2.73	158.46	79.23	0.28
1	13253	2-YR	ALT3(FU-Q)	522.00	8.65	15.48		15.61	0.001827	2.82	212.16	143.31	0.27
1	13253	10-YR	ALT3(EX-Q)	880.00	8.65	16.68		16.81	0.001501	3.12	486.84	305.77	0.26
1	13253	10-YR	ALT3(FU-Q)	1001.00	8.65	16.97		17.10	0.001448	3.20	579.79	329.11	0.25
1	13253	25-YR	ALT3(EX-Q)	1183.00	8.65	17.38		17.51	0.001363	3.27	722.59	359.54	0.25
1	13253	25-YR	ALT3(FU-Q)	1341.00	8.65	17.70		17.83	0.001305	3.33	839.86	375.53	0.25
1	13253	50-YR	ALT3(EX-Q)	1516.00	8.65	18.06		18.18	0.001225	3.36	975.84	392.99	0.24
1	13253	50-YR	ALT3(FU-Q)	1684.00	8.65	18.38		18.50	0.001169	3.40	1107.53	429.08	0.24
1	13253	100-YR	ALT3(EX-Q)	1884.00	8.65	18.77		18.89	0.001078	3.40	1285.91	467.75	0.23
1	13253	100-YR	ALT3(FU-Q)	2057.00	8.65	19.10		19.21	0.001008	3.39	1440.94	487.90	0.23
1	12411	2-YR	ALT3(EX-Q)	427.00	8.39	14.12		14.17	0.000685	1.72	266.20	138.40	0.17
1	12411	2-YR	ALT3(FU-Q)	522.00	8.39	14.66		14.71	0.000672	1.75	355.93	191.83	0.17
1	12411	10-YR	ALT3(EX-Q)	880.00	8.39	16.04		16.10	0.000520	1.92	687.21	281.04	0.15
1	12411	10-YR	ALT3(FU-Q)	1001.00	8.39	16.34		16.39	0.000532	2.02	771.59	298.89	0.16
1	12411	25-YR	ALT3(EX-Q)	1183.00	8.39	16.76		16.82	0.000533	2.14	902.97	316.35	0.16
1	12411	25-YR	ALT3(FU-Q)	1341.00	8.39	17.08		17.15	0.000538	2.23	1006.43	323.78	0.16
1	12411	50-YR	ALT3(EX-Q)	1516.00	8.39	17.46		17.52	0.000529	2.30	1129.43	332.39	0.16
1	12411	50-YR	ALT3(FU-Q)	1684.00	8.39	17.79		17.86	0.000523	2.37	1241.65	340.06	0.16
1	12411	100-YR	ALT3(EX-Q)	1884.00	8.39	18.22		18.29	0.000502	2.42	1389.23	350.69	0.16
1	12411	100-YR	ALT3(FU-Q)	2057.00	8.39	18.56		18.63	0.000489	2.46	1511.76	359.46	0.16
1	11694	2-YR	ALT3(EX-Q)	458.00	8.04	13.41		13.49	0.001319	2.28	200.58	54.87	0.21
1	11694	2-YR	ALT3(FU-Q)	556.00	8.04	13.95		14.04	0.001316	2.40	234.84	82.16	0.21
1	11694	10-YR	ALT3(EX-Q)	970.00	8.04	15.36		15.47	0.001552	2.74	440.80	191.14	0.23
1	11694	10-YR	ALT3(FU-Q)	1099.00	8.04	15.64		15.75	0.001557	2.86	494.88	199.84	0.24
1	11694	25-YR	ALT3(EX-Q)	1300.00	8.04	16.05		16.18	0.001537	3.01	581.30	213.01	0.24
1	11694	25-YR	ALT3(FU-Q)	1462.00	8.04	16.38		16.51	0.001511	3.12	651.05	221.76	0.24
1	11694	50-YR	ALT3(EX-Q)	1659.00	8.04	16.76		16.90	0.001468	3.22	739.00	241.54	0.24
1	11694	50-YR	ALT3(FU-Q)	1833.00	8.04	17.10		17.25	0.001416	3.29	827.56	271.81	0.24

HEC-RAS River: Parkers Creek Reach: 1 (Continued)

Reach	River Sta	Profile	Plan	Q Total (cfs)	Min Ch El (ft)	W.S. Elev (ft)	Crit W.S. (ft)	E.G. Elev (ft)	E.G. Slope (ft/ft)	Vel Chnl (ft/s)	Flow Area (sq ft)	Top Width (ft)	Froude # Chl
1	11694	100-YR	ALT3(EX-Q)	2064.00	8.04	17.56		17.71	0.001317	3.34	954.24	280.06	0.23
1	11694	100-YR	ALT3(FU-Q)	2246.00	8.04	17.94		18.08	0.001231	3.35	1059.95	286.81	0.23
1	10915	2-YR	ALT3(EX-Q)	458.00	7.04	12.42		12.49	0.001251	2.08	220.20	67.26	0.20
1	10915	2-YR	ALT3(FU-Q)	556.00	7.04	12.92		13.00	0.001351	2.17	256.80	80.46	0.21
1	10915	10-YR	ALT3(EX-Q)	970.00	7.04	14.24		14.32	0.001377	2.43	497.76	239.11	0.22
1	10915	10-YR	ALT3(FU-Q)	1099.00	7.04	14.54		14.63	0.001309	2.50	572.14	246.94	0.22
1	10915	25-YR	ALT3(EX-Q)	1300.00	7.04	15.03		15.12	0.001176	2.55	696.57	259.51	0.21
1	10915	25-YR	ALT3(FU-Q)	1462.00	7.04	15.41		15.50	0.001091	2.59	795.62	268.26	0.20
1	10915	50-YR	ALT3(EX-Q)	1659.00	7.04	15.85		15.94	0.001001	2.62	916.48	276.32	0.20
1	10915	50-YR	ALT3(FU-Q)	1833.00	7.04	16.26		16.35	0.000915	2.63	1030.47	282.60	0.19
1	10915	100-YR	ALT3(EX-Q)	2064.00	7.04	16.80		16.89	0.000814	2.63	1185.69	290.94	0.18
1	10915	100-YR	ALT3(FU-Q)	2246.00	7.04	17.24		17.32	0.000742	2.62	1314.03	297.66	0.18
1	10450	2-YR	ALT3(EX-Q)	458.00	6.45	11.80		11.89	0.001329	2.29	200.14	54.89	0.21
1	10450	2-YR	ALT3(FU-Q)	556.00	6.45	12.26		12.35	0.001408	2.46	227.00	100.89	0.22
1	10450	10-YR	ALT3(EX-Q)	970.00	6.45	13.57		13.67	0.001386	2.67	588.95	361.07	0.22
1	10450	10-YR	ALT3(FU-Q)	1099.00	6.45	13.94		14.03	0.001208	2.63	725.57	374.22	0.21
1	10450	25-YR	ALT3(EX-Q)	1300.00	6.45	14.53		14.61	0.000979	2.56	953.41	410.48	0.19
1	10450	25-YR	ALT3(FU-Q)	1462.00	6.45	14.96		15.03	0.000846	2.51	1133.80	423.34	0.18
1	10450	50-YR	ALT3(EX-Q)	1659.00	6.45	15.46		15.53	0.000727	2.45	1348.61	435.88	0.17
1	10450	50-YR	ALT3(FU-Q)	1833.00	6.45	15.92		15.98	0.000631	2.39	1548.57	443.50	0.16
1	10450	100-YR	ALT3(EX-Q)	2064.00	6.45	16.51		16.56	0.000535	2.33	1816.00	472.12	0.15
1	10450	100-YR	ALT3(FU-Q)	2246.00	6.45	16.98		17.03	0.000476	2.29	2058.66	604.25	0.14
1	10164	2-YR	ALT3(EX-Q)	458.00	6.00	11.45		11.52	0.001179	2.14	213.90	59.47	0.20
1	10164	2-YR	ALT3(FU-Q)	556.00	6.00	11.87		11.95	0.001375	2.29	258.44	181.22	0.21
1	10164	10-YR	ALT3(EX-Q)	970.00	6.00	13.40		13.43	0.000498	1.50	1048.48	689.21	0.13
1	10164	10-YR	ALT3(FU-Q)	1099.00	6.00	13.83		13.85	0.000342	1.33	1356.14	766.23	0.11
1	10164	25-YR	ALT3(EX-Q)	1300.00	6.00	14.47		14.48	0.000215	1.16	1904.31	952.49	0.09
1	10164	25-YR	ALT3(FU-Q)	1462.00	6.00	14.92		14.93	0.000167	1.08	2363.91	1067.68	0.08
1	10164	50-YR	ALT3(EX-Q)	1659.00	6.00	15.43		15.44	0.000132	1.02	2934.11	1150.00	0.07
1	10164	50-YR	ALT3(FU-Q)	1833.00	6.00	15.90		15.90	0.000102	0.94	3479.72	1179.07	0.07
1	10164	100-YR	ALT3(EX-Q)	2064.00	6.00	16.50		16.50	0.000077	0.87	4193.10	1198.38	0.06
1	10164	100-YR	ALT3(FU-Q)	2246.00	6.00	16.97		16.98	0.000064	0.82	4765.57	1219.78	0.05
1	10062	2-YR	ALT3(EX-Q)	458.00	5.92	11.33	8.19	11.40	0.001138	2.24	204.71	59.91	0.21
1	10062	2-YR	ALT3(FU-Q)	556.00	5.92	11.72	8.46	11.81	0.001285	2.42	229.28	65.16	0.23
1	10062	10-YR	ALT3(EX-Q)	970.00	5.92	13.18	9.40	13.32	0.001247	2.97	326.73	402.73	0.24
1	10062	10-YR	ALT3(FU-Q)	1099.00	5.92	13.60	9.65	13.75	0.001215	3.10	354.86	682.48	0.24
1	10062	25-YR	ALT3(EX-Q)	1300.00	5.92	14.22	10.01	14.39	0.001175	3.28	396.42	881.93	0.24

HEC-RAS River: Parkers Creek Reach: 1 (Continued)

Reach	River Sta	Profile	Plan	Q Total	Min Ch El	W.S. Elev	Crit W.S.	E.G. Elev	E.G. Slope	Vel Chnl	Flow Area	Top Width	Froude # Chl
				(cfs)	(ft)	(ft)	(ft)	(ft)	(ft/ft)	(ft/s)	(sq ft)	(ft)	
1	10062	25-YR	ALT3(FU-Q)	1462.00	5.92	14.66	10.28	14.84	0.001174	3.44	425.55	973.06	0.24
1	10062	50-YR	ALT3(EX-Q)	1659.00	5.92	15.15	10.58	15.35	0.001179	3.62	458.41	1108.33	0.24
1	10062	50-YR	ALT3(FU-Q)	1833.00	5.92	15.60	10.85	15.81	0.001164	3.75	488.58	1154.83	0.24
1	10062	100-YR	ALT3(EX-Q)	2064.00	5.92	16.18	11.21	16.41	0.001144	3.91	527.39	1218.65	0.25
1	10062	100-YR	ALT3(FU-Q)	2246.00	5.92	16.63	11.46	16.88	0.001122	4.02	558.07	1245.35	0.25
1	10006			Culvert									
1	9950	2-YR	ALT3(EX-Q)	458.00	4.46	11.24	6.77	11.28	0.000376	1.72	266.95	212.86	0.13
1	9950	2-YR	ALT3(FU-Q)	556.00	4.46	11.59	7.02	11.65	0.000447	1.95	284.83	267.16	0.15
1	9950	10-YR	ALT3(EX-Q)	970.00	4.46	12.82	7.93	12.94	0.000699	2.79	347.76	780.86	0.19
1	9950	10-YR	ALT3(FU-Q)	1099.00	4.46	13.16	8.17	13.30	0.000764	3.01	365.03	896.58	0.20
1	9950	25-YR	ALT3(EX-Q)	1300.00	4.46	13.65	8.52	13.82	0.000858	3.33	389.85	1021.40	0.21
1	9950	25-YR	ALT3(FU-Q)	1462.00	4.46	13.96	8.78	14.16	0.000949	3.60	405.91	1092.79	0.22
1	9950	50-YR	ALT3(EX-Q)	1659.00	4.46	14.29	9.09	14.53	0.001066	3.92	422.83	1141.25	0.24
1	9950	50-YR	ALT3(FU-Q)	1833.00	4.46	14.60	9.34	14.87	0.001153	4.18	438.53	1169.86	0.25
1	9950	100-YR	ALT3(EX-Q)	2064.00	4.46	14.98	9.67	15.30	0.001265	4.51	457.93	1212.32	0.27
1	9950	100-YR	ALT3(FU-Q)	2246.00	4.46	15.28	9.91	15.63	0.001343	4.75	473.15	1223.39	0.27
1	9751	2-YR	ALT3(EX-Q)	458.00	4.00	11.19		11.21	0.000247	1.15	803.82	793.21	0.10
1	9751	2-YR	ALT3(FU-Q)	556.00	4.00	11.55		11.57	0.000220	1.15	1120.03	926.19	0.10
1	9751	10-YR	ALT3(EX-Q)	970.00	4.00	12.83		12.84	0.000135	1.07	2528.81	1339.93	0.08
1	9751	10-YR	ALT3(FU-Q)	1099.00	4.00	13.18		13.19	0.000124	1.07	3010.42	1391.49	0.08
1	9751	25-YR	ALT3(EX-Q)	1300.00	4.00	13.68		13.69	0.000102	1.03	3743.94	1472.61	0.07
1	9751	25-YR	ALT3(FU-Q)	1462.00	4.00	14.02		14.02	0.000093	1.01	4235.08	1491.48	0.07
1	9751	50-YR	ALT3(EX-Q)	1659.00	4.00	14.37		14.37	0.000087	1.01	4770.09	1556.14	0.07
1	9751	50-YR	ALT3(FU-Q)	1833.00	4.00	14.69		14.70	0.000080	1.00	5285.46	1613.21	0.06
1	9751	100-YR	ALT3(EX-Q)	2064.00	4.00	15.10		15.10	0.000076	1.01	5973.16	1741.60	0.06
1	9751	100-YR	ALT3(FU-Q)	2246.00	4.00	15.42		15.42	0.000070	0.99	6532.72	1843.26	0.06
1	8660	2-YR	ALT3(EX-Q)	532.00	3.95	10.70		10.73	0.000841	1.64	450.89	206.69	0.14
1	8660	2-YR	ALT3(FU-Q)	646.00	3.95	11.08		11.12	0.000842	1.74	532.35	216.51	0.15
1	8660	10-YR	ALT3(EX-Q)	1169.00	3.95	12.45		12.51	0.000870	2.13	851.19	246.50	0.16
1	8660	10-YR	ALT3(FU-Q)	1343.00	3.95	12.81		12.87	0.000891	2.24	940.17	253.29	0.16
1	8660	25-YR	ALT3(EX-Q)	1620.00	3.95	13.34		13.41	0.000911	2.39	1078.19	263.40	0.16
1	8660	25-YR	ALT3(FU-Q)	1812.00	3.95	13.69		13.76	0.000924	2.49	1169.90	270.26	0.17
1	8660	50-YR	ALT3(EX-Q)	2045.00	3.95	14.04		14.12	0.000958	2.63	1267.26	277.36	0.17
1	8660	50-YR	ALT3(FU-Q)	2272.00	3.95	14.38		14.46	0.000985	2.74	1360.29	284.06	0.17
1	8660	100-YR	ALT3(EX-Q)	2556.00	3.95	14.78		14.87	0.001023	2.89	1477.40	298.66	0.18
1	8660	100-YR	ALT3(FU-Q)	2797.00	3.95	15.10		15.20	0.001044	3.00	1576.02	308.10	0.18

HEC-RAS River: Parkers Creek Reach: 1 (Continued)

Reach	River Sta	Profile	Plan	Q Total (cfs)	Min Ch El (ft)	W.S. Elev (ft)	Crit W.S. (ft)	E.G. Elev (ft)	E.G. Slope (ft/ft)	Vel Chnl (ft/s)	Flow Area (sq ft)	Top Width (ft)	Froude # Chl
1	7695	2-YR	ALT3(EX-Q)	532.00	3.60	9.86		9.90	0.000909	1.73	471.63	227.35	0.15
1	7695	2-YR	ALT3(FU-Q)	646.00	3.60	10.24		10.29	0.000920	1.85	560.37	237.63	0.15
1	7695	10-YR	ALT3(EX-Q)	1169.00	3.60	11.57		11.63	0.000991	2.28	1006.24	406.63	0.17
1	7695	10-YR	ALT3(FU-Q)	1343.00	3.60	11.92		11.98	0.000987	2.37	1158.50	455.39	0.17
1	7695	25-YR	ALT3(EX-Q)	1620.00	3.60	12.44		12.51	0.000994	2.51	1423.19	553.27	0.17
1	7695	25-YR	ALT3(FU-Q)	1812.00	3.60	12.78		12.85	0.000998	2.60	1622.51	608.39	0.17
1	7695	50-YR	ALT3(EX-Q)	2045.00	3.60	13.15		13.22	0.000955	2.63	1847.81	619.13	0.17
1	7695	50-YR	ALT3(FU-Q)	2272.00	3.60	13.49		13.56	0.000915	2.66	2063.39	629.02	0.17
1	7695	100-YR	ALT3(EX-Q)	2556.00	3.60	13.91		13.98	0.000868	2.68	2328.97	640.56	0.17
1	7695	100-YR	ALT3(FU-Q)	2797.00	3.60	14.25		14.32	0.000833	2.70	2548.94	649.58	0.16
1	6792	2-YR	ALT3(EX-Q)	532.00	3.50	9.02		9.07	0.000933	1.72	417.46	210.12	0.15
1	6792	2-YR	ALT3(FU-Q)	646.00	3.50	9.37		9.42	0.000983	1.87	495.40	235.87	0.16
1	6792	10-YR	ALT3(EX-Q)	1169.00	3.50	10.60		10.67	0.001120	2.37	846.64	321.31	0.18
1	6792	10-YR	ALT3(FU-Q)	1343.00	3.50	10.95		11.03	0.001124	2.47	960.76	331.98	0.18
1	6792	25-YR	ALT3(EX-Q)	1620.00	3.50	11.48		11.56	0.001118	2.61	1138.98	349.22	0.18
1	6792	25-YR	ALT3(FU-Q)	1812.00	3.50	11.81		11.90	0.001114	2.69	1258.62	360.58	0.18
1	6792	50-YR	ALT3(EX-Q)	2045.00	3.50	12.20		12.28	0.001111	2.79	1399.23	373.83	0.18
1	6792	50-YR	ALT3(FU-Q)	2272.00	3.50	12.56		12.65	0.001099	2.87	1538.01	386.48	0.19
1	6792	100-YR	ALT3(EX-Q)	2556.00	3.50	13.00		13.10	0.001087	2.97	1712.81	406.79	0.19
1	6792	100-YR	ALT3(FU-Q)	2797.00	3.50	13.36		13.46	0.001080	3.05	1861.46	426.48	0.19
1	6134	2-YR	ALT3(EX-Q)	532.00	3.50	7.98		8.07	0.002785	2.60	302.48	279.60	0.26
1	6134	2-YR	ALT3(FU-Q)	646.00	3.50	8.33		8.42	0.002562	2.67	403.93	292.93	0.25
1	6134	10-YR	ALT3(EX-Q)	1169.00	3.50	9.61		9.70	0.001959	2.87	797.38	319.84	0.23
1	6134	10-YR	ALT3(FU-Q)	1343.00	3.50	10.00		10.09	0.001801	2.90	922.97	324.94	0.22
1	6134	25-YR	ALT3(EX-Q)	1620.00	3.50	10.57		10.66	0.001629	2.95	1111.01	332.42	0.22
1	6134	25-YR	ALT3(FU-Q)	1812.00	3.50	10.93		11.02	0.001554	3.00	1231.43	337.13	0.21
1	6134	50-YR	ALT3(EX-Q)	2045.00	3.50	11.33		11.42	0.001496	3.07	1367.53	342.37	0.21
1	6134	50-YR	ALT3(FU-Q)	2272.00	3.50	11.72		11.81	0.001435	3.13	1501.09	347.44	0.21
1	6134	100-YR	ALT3(EX-Q)	2556.00	3.50	12.18		12.27	0.001371	3.19	1663.77	353.33	0.21
1	6134	100-YR	ALT3(FU-Q)	2797.00	3.50	12.56		12.65	0.001329	3.25	1796.23	358.04	0.21
1	5784	2-YR	ALT3(EX-Q)	522.00	3.08	7.48		7.52	0.000952	1.65	481.10	332.05	0.15
1	5784	2-YR	ALT3(FU-Q)	632.00	3.08	7.86		7.90	0.000885	1.70	611.65	345.56	0.15
1	5784	10-YR	ALT3(EX-Q)	1134.00	3.08	9.22		9.27	0.000756	1.91	1108.94	382.53	0.15
1	5784	10-YR	ALT3(FU-Q)	1309.00	3.08	9.63		9.68	0.000723	1.97	1267.10	389.51	0.14
1	5784	25-YR	ALT3(EX-Q)	1589.00	3.08	10.23		10.27	0.000690	2.05	1501.80	399.65	0.14
1	5784	25-YR	ALT3(FU-Q)	1782.00	3.08	10.60		10.64	0.000678	2.11	1650.39	405.94	0.14
1	5784	50-YR	ALT3(EX-Q)	2016.00	3.08	11.00		11.05	0.000673	2.19	1816.84	412.78	0.14
1	5784	50-YR	ALT3(FU-Q)	2242.00	3.08	11.40		11.45	0.000659	2.24	1981.68	418.21	0.14

HEC-RAS River: Parkers Creek Reach: 1 (Continued)

Reach	River Sta	Profile	Plan	Q Total (cfs)	Min Ch El (ft)	W.S. Elev (ft)	Crit W.S. (ft)	E.G. Elev (ft)	E.G. Slope (ft/ft)	Vel Chnl (ft/s)	Flow Area (sq ft)	Top Width (ft)	Froude # Chl
1	5784	100-YR	ALT3(EX-Q)	2525.00	3.08	11.88		11.93	0.000643	2.31	2181.69	424.78	0.14
1	5784	100-YR	ALT3(FU-Q)	2764.00	3.08	12.25		12.31	0.000634	2.36	2343.76	430.30	0.14
1	5727	2-YR	ALT3(EX-Q)	522.00	3.08	7.37	4.71	7.44	0.001590	2.15	245.47	109.98	0.20
1	5727	2-YR	ALT3(FU-Q)	632.00	3.08	7.73	4.90	7.82	0.001686	2.36	271.97	120.96	0.21
1	5727	10-YR	ALT3(EX-Q)	1134.00	3.08	9.01	5.68	9.16	0.002144	3.19	363.62	168.15	0.24
1	5727	10-YR	ALT3(FU-Q)	1309.00	3.08	9.39	5.92	9.57	0.002261	3.44	390.94	213.71	0.25
1	5727	25-YR	ALT3(EX-Q)	1589.00	3.08	9.93	6.27	10.15	0.002444	3.80	430.21	229.36	0.27
1	5727	25-YR	ALT3(FU-Q)	1782.00	3.08	10.26	6.50	10.51	0.002578	4.04	454.19	238.35	0.28
1	5727	50-YR	ALT3(EX-Q)	2016.00	3.08	10.62	6.77	10.91	0.002753	4.33	480.15	248.07	0.29
1	5727	50-YR	ALT3(FU-Q)	2242.00	3.08	10.98	7.00	11.30	0.002876	4.57	505.74	296.58	0.30
1	5727	100-YR	ALT3(EX-Q)	2525.00	3.08	11.40	7.29	11.77	0.003014	4.86	536.20	315.96	0.31
1	5727	100-YR	ALT3(FU-Q)	2764.00	3.08	11.74	7.50	12.14	0.003128	5.09	560.32	323.65	0.32
1	5692			Culvert									
1	5652	2-YR	ALT3(EX-Q)	522.00	2.11	7.30	4.48	7.40	0.002275	2.51	208.11	65.09	0.23
1	5652	2-YR	ALT3(FU-Q)	632.00	2.11	7.65	4.75	7.77	0.002435	2.76	229.84	79.05	0.25
1	5652	10-YR	ALT3(EX-Q)	1134.00	2.11	8.84	5.77	9.06	0.003231	3.80	303.21	118.47	0.30
1	5652	10-YR	ALT3(FU-Q)	1309.00	2.11	9.18	6.06	9.44	0.003461	4.10	324.40	128.29	0.31
1	5652	25-YR	ALT3(EX-Q)	1589.00	2.11	9.65	6.49	9.98	0.003852	4.58	353.77	147.41	0.33
1	5652	25-YR	ALT3(FU-Q)	1782.00	2.11	9.93	6.76	10.30	0.004143	4.90	371.22	158.95	0.35
1	5652	50-YR	ALT3(EX-Q)	2016.00	2.11	10.22	7.06	10.65	0.004561	5.29	388.82	169.99	0.37
1	5652	50-YR	ALT3(FU-Q)	2242.00	2.11	10.50	7.32	10.99	0.004898	5.64	406.06	180.72	0.38
1	5652	100-YR	ALT3(EX-Q)	2525.00	2.11	10.80	7.62	11.37	0.005355	6.07	425.00	207.26	0.40
1	5652	100-YR	ALT3(FU-Q)	2764.00	2.11	11.04	7.87	11.68	0.005742	6.43	439.71	214.19	0.42
1	5589	2-YR	ALT3(EX-Q)	522.00	2.11	7.26		7.29	0.000756	1.58	369.26	166.56	0.14
1	5589	2-YR	ALT3(FU-Q)	632.00	2.11	7.61		7.65	0.000807	1.73	429.50	174.42	0.15
1	5589	10-YR	ALT3(EX-Q)	1134.00	2.11	8.81		8.88	0.001003	2.26	654.72	239.99	0.17
1	5589	10-YR	ALT3(FU-Q)	1309.00	2.11	9.16		9.24	0.001041	2.40	748.04	285.62	0.17
1	5589	25-YR	ALT3(EX-Q)	1589.00	2.11	9.65		9.74	0.001095	2.60	902.35	346.83	0.18
1	5589	25-YR	ALT3(FU-Q)	1782.00	2.11	9.95		10.04	0.001134	2.72	1012.83	400.17	0.18
1	5589	50-YR	ALT3(EX-Q)	2016.00	2.11	10.25		10.35	0.001188	2.87	1137.06	420.73	0.19
1	5589	50-YR	ALT3(FU-Q)	2242.00	2.11	10.55		10.66	0.001212	2.98	1266.20	441.88	0.19
1	5589	100-YR	ALT3(EX-Q)	2525.00	2.11	10.88		11.00	0.001250	3.12	1417.82	466.42	0.20
1	5589	100-YR	ALT3(FU-Q)	2764.00	2.11	11.15		11.27	0.001278	3.23	1543.30	488.11	0.20
1	5229	2-YR	ALT3(EX-Q)	545.00	1.61	6.88		6.94	0.001284	2.05	388.31	220.05	0.18
1	5229	2-YR	ALT3(FU-Q)	661.00	1.61	7.22		7.28	0.001326	2.19	463.94	230.96	0.19
1	5229	10-YR	ALT3(EX-Q)	1191.00	1.61	8.35		8.44	0.001524	2.75	739.50	255.39	0.21

HEC-RAS River: Parkers Creek Reach: 1 (Continued)

Reach	River Sta	Profile	Plan	Q Total (cfs)	Min Ch El (ft)	W.S. Elev (ft)	Crit W.S. (ft)	E.G. Elev (ft)	E.G. Slope (ft/ft)	Vel Chnl (ft/s)	Flow Area (sq ft)	Top Width (ft)	Froude # Chl
1	5229	10-YR	ALT3(FU-Q)	1376.00	1.61	8.68		8.78	0.001552	2.88	833.24	293.05	0.21
1	5229	25-YR	ALT3(EX-Q)	1682.00	1.61	9.15		9.26	0.001632	3.11	977.19	324.31	0.22
1	5229	25-YR	ALT3(FU-Q)	1897.00	1.61	9.42		9.54	0.001708	3.28	1067.98	340.43	0.23
1	5229	50-YR	ALT3(EX-Q)	2151.00	1.61	9.69		9.82	0.001827	3.48	1160.98	355.60	0.24
1	5229	50-YR	ALT3(FU-Q)	2401.00	1.61	9.97		10.11	0.001889	3.64	1262.87	370.35	0.24
1	5229	100-YR	ALT3(EX-Q)	2713.00	1.61	10.28		10.43	0.001985	3.83	1378.43	385.80	0.25
1	5229	100-YR	ALT3(FU-Q)	2973.00	1.61	10.52		10.68	0.002053	3.98	1473.21	398.03	0.25
1	2851	2-YR	ALT3(EX-Q)	545.00	0.40	4.39		4.41	0.000890	1.29	637.41	514.42	0.14
1	2851	2-YR	ALT3(FU-Q)	661.00	0.40	4.60		4.63	0.000946	1.40	760.81	631.79	0.15
1	2851	10-YR	ALT3(EX-Q)	1191.00	0.40	5.35		5.38	0.001091	1.73	1444.73	1092.40	0.16
1	2851	10-YR	ALT3(FU-Q)	1376.00	0.40	5.56		5.60	0.001161	1.74	1688.73	1158.46	0.17
1	2851	25-YR	ALT3(EX-Q)	1682.00	0.40	5.84		5.87	0.001247	1.79	2016.07	1241.29	0.17
1	2851	25-YR	ALT3(FU-Q)	1897.00	0.40	5.99		6.02	0.001284	1.86	2210.27	1296.97	0.18
1	2851	50-YR	ALT3(EX-Q)	2151.00	0.40	6.18		6.22	0.001269	1.92	2463.13	1342.06	0.18
1	2851	50-YR	ALT3(FU-Q)	2401.00	0.40	6.33		6.37	0.001323	2.01	2663.49	1387.68	0.18
1	2851	100-YR	ALT3(EX-Q)	2713.00	0.40	6.50		6.54	0.001360	2.10	2902.90	1406.49	0.19
1	2851	100-YR	ALT3(FU-Q)	2973.00	0.40	6.63		6.67	0.001397	2.18	3086.10	1420.79	0.19
1	327	2-YR	ALT3(EX-Q)	545.00	-2.00	2.76	0.50	2.76	0.000500	1.11	1819.21	1823.78	0.11
1	327	2-YR	ALT3(FU-Q)	661.00	-2.00	2.92	0.79	2.93	0.000500	1.13	2130.98	1902.78	0.11
1	327	10-YR	ALT3(EX-Q)	1191.00	-2.00	3.58	2.13	3.59	0.000501	1.02	3671.28	3016.59	0.11
1	327	10-YR	ALT3(FU-Q)	1376.00	-2.00	3.75	2.18	3.75	0.000500	1.03	4206.39	3363.21	0.11
1	327	25-YR	ALT3(EX-Q)	1682.00	-2.00	3.97	2.31	3.97	0.000500	1.04	4976.98	3698.37	0.11
1	327	25-YR	ALT3(FU-Q)	1897.00	-2.00	4.10	2.33	4.11	0.000500	1.04	5501.27	4015.77	0.11
1	327	50-YR	ALT3(EX-Q)	2151.00	-2.00	4.31	2.39	4.31	0.000501	1.05	6340.59	4296.35	0.11
1	327	50-YR	ALT3(FU-Q)	2401.00	-2.00	4.43	2.50	4.43	0.000500	1.06	6874.33	4377.01	0.11
1	327	100-YR	ALT3(EX-Q)	2713.00	-2.00	4.58	2.51	4.58	0.000501	1.02	7529.52	4506.72	0.11
1	327	100-YR	ALT3(FU-Q)	2973.00	-2.00	4.70	2.57	4.70	0.000501	0.98	8074.37	4637.02	0.11

Parkers Creek - Alternative 3 Existing and Future Conditions

HEC-RAS River: Parkers Creek Reach: 1

Reach	River Sta	Profile	Plan	Q Total (cfs)	Min Ch El (ft)	W.S. Elev (ft)	Crit W.S. (ft)	E.G. Elev (ft)	E.G. Slope (ft/ft)	Vel Chnl (ft/s)	Flow Area (sq ft)	Top Width (ft)	Froude # Chl
1	29594	2-YR	ALT4(EX-Q)	175.00	22.50	26.40		26.44	0.001137	1.83	141.68	115.56	0.24
1	29594	2-YR	ALT4(FU-Q)	216.00	22.50	26.79		26.83	0.000909	1.71	192.57	141.53	0.22
1	29594	10-YR	ALT4(EX-Q)	382.00	22.50	27.83		27.86	0.000654	1.57	371.21	208.43	0.19
1	29594	10-YR	ALT4(FU-Q)	445.00	22.50	28.06		28.09	0.000637	1.65	420.91	232.09	0.19
1	29594	25-YR	ALT4(EX-Q)	549.00	22.50	28.38		28.41	0.000624	1.74	525.97	384.51	0.19
1	29594	25-YR	ALT4(FU-Q)	619.00	22.50	28.31		28.35	0.000874	2.04	497.47	363.68	0.22
1	29594	50-YR	ALT4(EX-Q)	705.00	22.50	28.68		28.71	0.000755	1.91	656.29	518.27	0.21
1	29594	50-YR	ALT4(FU-Q)	779.00	22.50	29.28		29.30	0.000422	1.62	1156.49	1027.93	0.16
1	29594	100-YR	ALT4(EX-Q)	874.00	22.50	29.91		29.92	0.000196	1.25	1915.92	1394.44	0.11
1	29594	100-YR	ALT4(FU-Q)	955.00	22.50	30.45		30.46	0.000117	1.05	2851.45	2632.39	0.09
1	29005	2-YR	ALT4(EX-Q)	175.00	21.00	25.80	23.62	25.86	0.000872	1.85	111.51	86.66	0.22
1	29005	2-YR	ALT4(FU-Q)	216.00	21.00	26.32	23.85	26.36	0.000696	1.73	163.71	936.17	0.20
1	29005	10-YR	ALT4(EX-Q)	382.00	21.00	27.48	24.58	27.52	0.000522	1.64	417.92	1368.25	0.17
1	29005	10-YR	ALT4(FU-Q)	445.00	21.00	27.75	24.81	27.78	0.000454	1.59	557.73	1512.04	0.16
1	29005	25-YR	ALT4(EX-Q)	549.00	21.00	28.10	25.19	28.13	0.000389	1.54	815.02	1882.57	0.15
1	29005	25-YR	ALT4(FU-Q)	619.00	21.00	28.32	25.49	28.32	0.000010	0.25	3068.38	2026.03	0.02
1	29005	50-YR	ALT4(EX-Q)	705.00	21.00	28.69	25.78	28.69	0.000007	0.23	3851.61	2169.26	0.02
1	29005	50-YR	ALT4(FU-Q)	779.00	21.00	29.29	25.97	29.29	0.000004	0.19	5188.48	2284.02	0.02
1	29005	100-YR	ALT4(EX-Q)	874.00	21.00	29.91	26.18	29.91	0.000003	0.17	6623.90	2319.37	0.01
1	29005	100-YR	ALT4(FU-Q)	955.00	21.00	30.45	26.32	30.45	0.000002	0.16	7884.82	2366.24	0.01
1	28619	2-YR	ALT4(EX-Q)	175.00	20.00	25.36		25.44	0.001369	2.25	77.68	29.00	0.24
1	28619	2-YR	ALT4(FU-Q)	216.00	20.00	25.92		26.00	0.001267	2.27	95.13	41.06	0.24
1	28619	10-YR	ALT4(EX-Q)	382.00	20.00	27.21		27.26	0.000880	2.03	483.70	691.01	0.20
1	28619	10-YR	ALT4(FU-Q)	445.00	20.00	27.54		27.57	0.000631	1.82	724.89	778.07	0.17
1	28619	25-YR	ALT4(EX-Q)	549.00	20.00	27.94		27.97	0.000457	1.65	1064.59	912.79	0.15
1	28619	25-YR	ALT4(FU-Q)	619.00	20.00	28.29		28.30	0.000334	1.48	1402.29	1031.77	0.13
1	28619	50-YR	ALT4(EX-Q)	705.00	20.00	28.67		28.68	0.000243	1.33	1824.61	1158.57	0.11
1	28619	50-YR	ALT4(FU-Q)	779.00	20.00	29.28		29.28	0.000133	1.05	2567.41	1283.79	0.08
1	28619	100-YR	ALT4(EX-Q)	874.00	20.00	29.90		29.91	0.000086	0.91	3424.93	1457.72	0.07
1	28619	100-YR	ALT4(FU-Q)	955.00	20.00	30.45		30.45	0.000057	0.79	4226.31	1508.02	0.06
1	28069	2-YR	ALT4(EX-Q)	175.00	19.52	24.92		24.97	0.000565	1.77	99.09	25.56	0.16
1	28069	2-YR	ALT4(FU-Q)	216.00	19.52	25.48		25.54	0.000586	1.90	113.90	27.00	0.16
1	28069	10-YR	ALT4(EX-Q)	382.00	19.52	26.63		26.72	0.001081	2.47	210.74	295.48	0.22
1	28069	10-YR	ALT4(FU-Q)	445.00	19.52	27.08		27.15	0.000936	2.28	450.68	776.85	0.21
1	28069	25-YR	ALT4(EX-Q)	549.00	19.52	27.67		27.70	0.000498	1.79	978.40	950.19	0.15
1	28069	25-YR	ALT4(FU-Q)	619.00	19.52	28.11		28.13	0.000305	1.50	1411.06	1033.38	0.12
1	28069	50-YR	ALT4(EX-Q)	705.00	19.52	28.54		28.56	0.000206	1.31	1872.25	1083.01	0.10
1	28069	50-YR	ALT4(FU-Q)	779.00	19.52	29.21		29.22	0.000109	1.03	2640.32	1229.87	0.08

HEC-RAS River: Parkers Creek Reach: 1 (Continued)

Reach	River Sta	Profile	Plan	Q Total (cfs)	Min Ch El (ft)	W.S. Elev (ft)	Crit W.S. (ft)	E.G. Elev (ft)	E.G. Slope (ft/ft)	Vel Chnl (ft/s)	Flow Area (sq ft)	Top Width (ft)	Froude # Chl
1	28069	100-YR	ALT4(EX-Q)	874.00	19.52	29.86		29.87	0.000069	0.88	3476.81	1305.64	0.06
1	28069	100-YR	ALT4(FU-Q)	955.00	19.52	30.42		30.42	0.000048	0.78	4203.34	1315.87	0.05
1	27993	2-YR	ALT4(EX-Q)	175.00	20.00	24.91	22.04	24.92	0.000224	0.97	180.38	89.10	0.10
1	27993	2-YR	ALT4(FU-Q)	216.00	20.00	25.48	22.22	25.50	0.000183	0.99	217.42	122.73	0.10
1	27993	10-YR	ALT4(EX-Q)	382.00	20.00	26.63	22.79	26.65	0.000214	1.31	292.02	820.16	0.11
1	27993	10-YR	ALT4(FU-Q)	445.00	20.00	27.07	22.97	27.10	0.000213	1.39	320.62	907.32	0.11
1	27993	25-YR	ALT4(EX-Q)	549.00	20.00	27.64	23.24	27.68	0.000224	1.53	357.82	971.07	0.12
1	27993	25-YR	ALT4(FU-Q)	619.00	20.00	28.06	23.40	28.10	0.000223	1.61	385.25	1033.59	0.12
1	27993	50-YR	ALT4(EX-Q)	705.00	20.00	28.49	23.58	28.53	0.000230	1.71	412.76	1072.28	0.12
1	27993	50-YR	ALT4(FU-Q)	779.00	20.00	29.15	23.73	29.19	0.000201	1.71	455.92	1180.34	0.11
1	27993	100-YR	ALT4(EX-Q)	874.00	20.00	29.80	23.89	29.85	0.000189	1.75	498.04	1283.58	0.11
1	27993	100-YR	ALT4(FU-Q)	955.00	20.00	30.35	24.01	30.40	0.000179	1.79	533.93	1327.89	0.11
1	27925			Culvert									
1	27864	2-YR	ALT4(EX-Q)	175.00	20.00	24.88	22.13	24.90	0.000247	1.16	150.64	64.33	0.12
1	27864	2-YR	ALT4(FU-Q)	216.00	20.00	25.44	22.32	25.46	0.000207	1.20	180.28	74.08	0.11
1	27864	10-YR	ALT4(EX-Q)	382.00	20.00	26.53	22.91	26.57	0.000256	1.61	237.96	275.09	0.13
1	27864	10-YR	ALT4(FU-Q)	445.00	20.00	26.94	23.09	26.99	0.000259	1.71	260.04	619.19	0.14
1	27864	25-YR	ALT4(EX-Q)	549.00	20.00	27.47	23.36	27.48	0.000133	1.26	894.93	714.24	0.10
1	27864	25-YR	ALT4(FU-Q)	619.00	20.00	27.84	23.53	27.85	0.000102	1.15	1170.22	782.93	0.09
1	27864	50-YR	ALT4(EX-Q)	705.00	20.00	28.18	23.72	28.19	0.000083	1.09	1450.27	818.84	0.08
1	27864	50-YR	ALT4(FU-Q)	779.00	20.00	28.77	23.87	28.78	0.000051	0.90	1950.93	876.11	0.06
1	27864	100-YR	ALT4(EX-Q)	874.00	20.00	29.31	24.07	29.32	0.000036	0.80	2433.32	906.88	0.05
1	27864	100-YR	ALT4(FU-Q)	955.00	20.00	29.76	24.20	29.77	0.000028	0.74	2847.45	930.94	0.05
1	27742	2-YR	ALT4(EX-Q)	231.00	20.00	24.79		24.84	0.000788	1.80	128.05	55.44	0.21
1	27742	2-YR	ALT4(FU-Q)	293.00	20.00	25.35		25.40	0.000947	1.71	171.77	93.27	0.22
1	27742	10-YR	ALT4(EX-Q)	469.00	20.00	26.49		26.52	0.000418	1.35	503.80	628.44	0.15
1	27742	10-YR	ALT4(FU-Q)	556.00	20.00	26.93		26.94	0.000241	1.14	819.75	784.85	0.12
1	27742	25-YR	ALT4(EX-Q)	661.00	20.00	27.45		27.46	0.000129	0.94	1253.95	847.14	0.09
1	27742	25-YR	ALT4(FU-Q)	746.00	20.00	27.82		27.83	0.000092	0.85	1571.78	860.07	0.08
1	27742	50-YR	ALT4(EX-Q)	825.00	20.00	28.17		28.18	0.000069	0.78	1875.19	868.47	0.07
1	27742	50-YR	ALT4(FU-Q)	917.00	20.00	28.77		28.77	0.000042	0.67	2391.83	881.17	0.05
1	27742	100-YR	ALT4(EX-Q)	1012.00	20.00	29.31		29.31	0.000030	0.61	2873.08	892.59	0.05
1	27742	100-YR	ALT4(FU-Q)	1090.00	20.00	29.76		29.76	0.000024	0.57	3278.33	902.06	0.04
1	27405	2-YR	ALT4(EX-Q)	231.00	20.00	24.71	21.03	24.73	0.000139	1.09	213.21	56.33	0.09
1	27405	2-YR	ALT4(FU-Q)	293.00	20.00	25.26	21.21	25.29	0.000147	1.22	244.44	60.40	0.10
1	27405	10-YR	ALT4(EX-Q)	469.00	20.00	26.39	21.64	26.42	0.000182	1.57	311.19	68.92	0.11

HEC-RAS River: Parkers Creek Reach: 1 (Continued)

Reach	River Sta	Profile	Plan	Q Total (cfs)	Min Ch El (ft)	W.S. Elev (ft)	Crit W.S. (ft)	E.G. Elev (ft)	E.G. Slope (ft/ft)	Vel Chnl (ft/s)	Flow Area (sq ft)	Top Width (ft)	Froude # Chl
1	27405	10-YR	ALT4(FU-Q)	556.00	20.00	26.81	21.84	26.86	0.000201	1.72	336.83	73.03	0.12
1	27405	25-YR	ALT4(EX-Q)	661.00	20.00	27.34	22.05	27.39	0.000215	1.88	368.41	99.82	0.13
1	27405	25-YR	ALT4(FU-Q)	746.00	20.00	27.71	22.22	27.77	0.000228	2.00	390.56	119.99	0.13
1	27405	50-YR	ALT4(EX-Q)	825.00	20.00	28.06	22.37	28.12	0.000237	2.11	411.46	125.08	0.14
1	27405	50-YR	ALT4(FU-Q)	917.00	20.00	28.65	22.54	28.72	0.000225	2.16	447.19	134.01	0.13
1	27405	100-YR	ALT4(EX-Q)	1012.00	20.00	29.20	22.71	29.27	0.000219	2.22	479.73	142.15	0.13
1	27405	100-YR	ALT4(FU-Q)	1090.00	20.00	29.65	22.84	29.72	0.000213	2.27	506.77	148.48	0.13
1	26948			Culvert									
1	26312	2-YR	ALT4(EX-Q)	231.00	19.00	24.53	20.29	24.55	0.000166	1.05	227.38	62.02	0.08
1	26312	2-YR	ALT4(FU-Q)	293.00	19.00	25.04	20.46	25.06	0.000190	1.19	260.03	172.93	0.09
1	26312	10-YR	ALT4(EX-Q)	469.00	19.00	25.99	20.91	26.03	0.000273	1.59	321.85	675.75	0.11
1	26312	10-YR	ALT4(FU-Q)	556.00	19.00	26.31	21.10	26.36	0.000320	1.78	343.15	853.92	0.12
1	26312	25-YR	ALT4(EX-Q)	661.00	19.00	26.73	21.33	26.78	0.000365	1.98	369.86	993.88	0.13
1	26312	25-YR	ALT4(FU-Q)	746.00	19.00	26.99	21.50	27.06	0.000407	2.14	387.09	1031.68	0.14
1	26312	50-YR	ALT4(EX-Q)	825.00	19.00	27.25	21.66	27.32	0.000440	2.27	403.64	1057.13	0.14
1	26312	50-YR	ALT4(FU-Q)	917.00	19.00	27.50	21.83	27.59	0.000482	2.43	420.42	1082.94	0.15
1	26312	100-YR	ALT4(EX-Q)	1012.00	19.00	27.78	22.00	27.88	0.000517	2.58	438.66	1110.97	0.16
1	26312	100-YR	ALT4(FU-Q)	1090.00	19.00	28.00	22.14	28.11	0.000546	2.70	452.69	1132.54	0.16
1	26272			Bridge									
1	26221	2-YR	ALT4(EX-Q)	231.00	19.00	24.50	20.45	24.51	0.000162	1.01	228.58	73.96	0.09
1	26221	2-YR	ALT4(FU-Q)	293.00	19.00	25.00	20.68	25.02	0.000176	1.13	259.01	82.09	0.10
1	26221	10-YR	ALT4(EX-Q)	469.00	19.00	25.89	21.21	25.93	0.000239	1.50	315.69	241.64	0.12
1	26221	10-YR	ALT4(FU-Q)	556.00	19.00	26.18	21.44	26.22	0.000279	1.68	334.59	438.68	0.13
1	26221	25-YR	ALT4(EX-Q)	661.00	19.00	26.54	21.70	26.59	0.000318	1.87	357.93	589.96	0.14
1	26221	25-YR	ALT4(FU-Q)	746.00	19.00	26.76	21.88	26.82	0.000358	2.03	371.99	699.10	0.15
1	26221	50-YR	ALT4(EX-Q)	825.00	19.00	26.96	22.06	27.03	0.000392	2.17	385.27	787.50	0.15
1	26221	50-YR	ALT4(FU-Q)	917.00	19.00	27.18	22.24	27.23	0.000298	1.94	1144.78	899.08	0.13
1	26221	100-YR	ALT4(EX-Q)	1012.00	19.00	27.40	22.42	27.45	0.000294	1.97	1346.67	962.24	0.13
1	26221	100-YR	ALT4(FU-Q)	1090.00	19.00	27.56	22.56	27.61	0.000294	2.00	1504.95	1015.22	0.14
1	26062	2-YR	ALT4(EX-Q)	261.00	18.80	24.43		24.47	0.000368	1.55	168.59	40.30	0.13
1	26062	2-YR	ALT4(FU-Q)	332.00	18.80	24.92		24.97	0.000436	1.76	188.65	42.09	0.15
1	26062	10-YR	ALT4(EX-Q)	517.00	18.80	25.77		25.85	0.000693	2.25	270.09	238.02	0.19
1	26062	10-YR	ALT4(FU-Q)	609.00	18.80	26.05		26.14	0.000766	2.45	365.80	428.47	0.20
1	26062	25-YR	ALT4(EX-Q)	728.00	18.80	26.41		26.50	0.000991	2.53	551.94	601.67	0.22
1	26062	25-YR	ALT4(FU-Q)	816.00	18.80	26.64		26.72	0.000950	2.57	702.62	711.72	0.22
1	26062	50-YR	ALT4(EX-Q)	898.00	18.80	26.86		26.94	0.000881	2.56	870.62	795.50	0.21

HEC-RAS River: Parkers Creek Reach: 1 (Continued)

Reach	River Sta	Profile	Plan	Q Total (cfs)	Min Ch El (ft)	W.S. Elev (ft)	Crit W.S. (ft)	E.G. Elev (ft)	E.G. Slope (ft/ft)	Vel Chnl (ft/s)	Flow Area (sq ft)	Top Width (ft)	Froude # Chl
1	26062	50-YR	ALT4(FU-Q)	995.00	18.80	27.07		27.15	0.000837	2.57	1046.22	849.31	0.21
1	26062	100-YR	ALT4(EX-Q)	1096.00	18.80	27.30		27.37	0.000773	2.55	1244.63	894.97	0.20
1	26062	100-YR	ALT4(FU-Q)	1192.00	18.80	27.46		27.53	0.000759	2.58	1391.28	927.31	0.20
1	25800	2-YR	ALT4(EX-Q)	261.00	18.80	24.35		24.38	0.000306	1.40	230.41	159.85	0.12
1	25800	2-YR	ALT4(FU-Q)	332.00	18.80	24.83		24.87	0.000329	1.51	360.22	386.37	0.13
1	25800	10-YR	ALT4(EX-Q)	517.00	18.80	25.68		25.72	0.000334	1.66	856.73	785.93	0.13
1	25800	10-YR	ALT4(FU-Q)	609.00	18.80	25.96		26.00	0.000338	1.73	1102.35	942.21	0.14
1	25800	25-YR	ALT4(EX-Q)	728.00	18.80	26.32		26.35	0.000311	1.74	1451.59	1012.45	0.13
1	25800	25-YR	ALT4(FU-Q)	816.00	18.80	26.55		26.58	0.000295	1.74	1691.78	1042.63	0.13
1	25800	50-YR	ALT4(EX-Q)	898.00	18.80	26.78		26.81	0.000276	1.73	1933.12	1080.92	0.13
1	25800	50-YR	ALT4(FU-Q)	995.00	18.80	27.00		27.02	0.000270	1.75	2170.80	1125.31	0.13
1	25800	100-YR	ALT4(EX-Q)	1096.00	18.80	27.23		27.25	0.000259	1.76	2436.39	1177.51	0.12
1	25800	100-YR	ALT4(FU-Q)	1192.00	18.80	27.39		27.41	0.000262	1.80	2628.10	1213.87	0.12
1	25404	2-YR	ALT4(EX-Q)	261.00	18.80	24.24		24.26	0.000281	1.34	230.68	219.76	0.12
1	25404	2-YR	ALT4(FU-Q)	332.00	18.80	24.71		24.74	0.000292	1.45	390.90	484.56	0.12
1	25404	10-YR	ALT4(EX-Q)	517.00	18.80	25.57		25.59	0.000272	1.54	1045.50	991.02	0.12
1	25404	10-YR	ALT4(FU-Q)	609.00	18.80	25.85		25.88	0.000267	1.57	1350.27	1111.65	0.12
1	25404	25-YR	ALT4(EX-Q)	728.00	18.80	26.21		26.23	0.000261	1.50	1764.89	1176.74	0.12
1	25404	25-YR	ALT4(FU-Q)	816.00	18.80	26.45		26.47	0.000252	1.46	2049.54	1205.18	0.12
1	25404	50-YR	ALT4(EX-Q)	898.00	18.80	26.68		26.69	0.000268	1.31	2333.74	1252.63	0.12
1	25404	50-YR	ALT4(FU-Q)	995.00	18.80	26.90		26.91	0.000247	1.30	2613.26	1276.61	0.11
1	25404	100-YR	ALT4(EX-Q)	1096.00	18.80	27.14		27.15	0.000225	1.29	2918.95	1305.45	0.11
1	25404	100-YR	ALT4(FU-Q)	1192.00	18.80	27.30		27.31	0.000222	1.31	3130.33	1329.90	0.11
1	25124	2-YR	ALT4(EX-Q)	261.00	18.77	24.08		24.14	0.000680	2.05	162.29	264.45	0.18
1	25124	2-YR	ALT4(FU-Q)	332.00	18.77	24.56		24.62	0.000666	2.12	358.95	576.20	0.18
1	25124	10-YR	ALT4(EX-Q)	517.00	18.77	25.46		25.50	0.000445	1.89	1131.70	1042.88	0.15
1	25124	10-YR	ALT4(FU-Q)	609.00	18.77	25.76		25.78	0.000390	1.84	1446.30	1106.19	0.14
1	25124	25-YR	ALT4(EX-Q)	728.00	18.77	26.13		26.15	0.000327	1.76	1871.64	1175.81	0.13
1	25124	25-YR	ALT4(FU-Q)	816.00	18.77	26.37		26.39	0.000300	1.73	2165.41	1231.87	0.12
1	25124	50-YR	ALT4(EX-Q)	898.00	18.77	26.60		26.62	0.000272	1.69	2449.52	1264.50	0.12
1	25124	50-YR	ALT4(FU-Q)	995.00	18.77	26.83		26.84	0.000255	1.67	2740.81	1297.10	0.12
1	25124	100-YR	ALT4(EX-Q)	1096.00	18.77	27.07		27.08	0.000235	1.65	3061.24	1332.04	0.11
1	25124	100-YR	ALT4(FU-Q)	1192.00	18.77	27.23		27.24	0.000234	1.67	3277.90	1354.65	0.11
1	24526	2-YR	ALT4(EX-Q)	261.00	18.00	23.65		23.70	0.000793	1.83	209.86	172.86	0.19
1	24526	2-YR	ALT4(FU-Q)	332.00	18.00	24.17		24.21	0.000674	1.79	355.94	350.17	0.18
1	24526	10-YR	ALT4(EX-Q)	517.00	18.00	25.22		25.24	0.000402	1.54	805.56	507.27	0.14
1	24526	10-YR	ALT4(FU-Q)	609.00	18.00	25.52		25.55	0.000392	1.55	972.82	570.80	0.14

HEC-RAS River: Parkers Creek Reach: 1 (Continued)

Reach	River Sta	Profile	Plan	Q Total (cfs)	Min Ch El (ft)	W.S. Elev (ft)	Crit W.S. (ft)	E.G. Elev (ft)	E.G. Slope (ft/ft)	Vel Chnl (ft/s)	Flow Area (sq ft)	Top Width (ft)	Froude # Chl
1	24526	25-YR	ALT4(EX-Q)	728.00	18.00	25.92		25.94	0.000364	1.56	1213.19	650.45	0.14
1	24526	25-YR	ALT4(FU-Q)	816.00	18.00	26.18		26.20	0.000342	1.57	1391.29	724.55	0.13
1	24526	50-YR	ALT4(EX-Q)	898.00	18.00	26.42		26.44	0.000311	1.55	1571.08	746.18	0.13
1	24526	50-YR	ALT4(FU-Q)	995.00	18.00	26.66		26.68	0.000294	1.56	1749.95	764.56	0.13
1	24526	100-YR	ALT4(EX-Q)	1096.00	18.00	26.91		26.93	0.000274	1.56	1947.10	782.70	0.12
1	24526	100-YR	ALT4(FU-Q)	1192.00	18.00	27.07		27.09	0.000277	1.60	2073.25	793.63	0.12
1	24050	2-YR	ALT4(EX-Q)	261.00	17.30	23.20		23.27	0.001037	2.04	128.18	46.75	0.22
1	24050	2-YR	ALT4(FU-Q)	332.00	17.30	23.77		23.84	0.000893	2.10	194.43	231.81	0.21
1	24050	10-YR	ALT4(EX-Q)	517.00	17.30	25.01		25.03	0.000441	1.60	704.01	489.93	0.15
1	24050	10-YR	ALT4(FU-Q)	609.00	17.30	25.33		25.36	0.000391	1.56	866.27	508.39	0.14
1	24050	25-YR	ALT4(EX-Q)	728.00	17.30	25.75		25.78	0.000322	1.52	1097.53	591.53	0.13
1	24050	25-YR	ALT4(FU-Q)	816.00	17.30	26.02		26.04	0.000293	1.51	1260.44	617.04	0.13
1	24050	50-YR	ALT4(EX-Q)	898.00	17.30	26.28		26.30	0.000266	1.49	1422.18	635.91	0.12
1	24050	50-YR	ALT4(FU-Q)	995.00	17.30	26.53		26.54	0.000253	1.51	1579.38	653.77	0.12
1	24050	100-YR	ALT4(EX-Q)	1096.00	17.30	26.79		26.81	0.000238	1.51	1753.94	672.03	0.12
1	24050	100-YR	ALT4(FU-Q)	1192.00	17.30	26.95		26.97	0.000243	1.56	1861.00	692.70	0.12
1	23635	2-YR	ALT4(EX-Q)	294.00	17.10	23.05		23.07	0.000251	1.29	227.14	56.41	0.11
1	23635	2-YR	ALT4(FU-Q)	361.00	17.10	23.61		23.64	0.000279	1.38	287.98	172.25	0.12
1	23635	10-YR	ALT4(EX-Q)	571.00	17.10	24.87		24.90	0.000262	1.42	736.58	516.52	0.12
1	23635	10-YR	ALT4(FU-Q)	662.00	17.10	25.20		25.23	0.000252	1.46	915.09	559.10	0.12
1	23635	25-YR	ALT4(EX-Q)	790.00	17.10	25.63		25.66	0.000239	1.51	1181.58	645.64	0.12
1	23635	25-YR	ALT4(FU-Q)	882.00	17.10	25.91		25.94	0.000230	1.53	1362.77	670.38	0.12
1	23635	50-YR	ALT4(EX-Q)	985.00	17.10	26.17		26.20	0.000227	1.57	1541.55	694.16	0.12
1	23635	50-YR	ALT4(FU-Q)	1090.00	17.10	26.42		26.44	0.000225	1.60	1714.83	716.52	0.12
1	23635	100-YR	ALT4(EX-Q)	1209.00	17.10	26.68		26.71	0.000222	1.64	1908.56	740.71	0.12
1	23635	100-YR	ALT4(FU-Q)	1305.00	17.10	26.84		26.87	0.000229	1.69	2024.15	756.07	0.12
1	23112	2-YR	ALT4(EX-Q)	294.00	17.05	22.62		22.77	0.002186	3.10	94.82	24.52	0.28
1	23112	2-YR	ALT4(FU-Q)	361.00	17.05	23.13		23.30	0.002332	3.35	107.82	28.75	0.29
1	23112	10-YR	ALT4(EX-Q)	571.00	17.05	24.44		24.59	0.001856	3.38	385.70	420.38	0.27
1	23112	10-YR	ALT4(FU-Q)	662.00	17.05	24.83		24.95	0.001560	3.22	559.36	482.36	0.25
1	23112	25-YR	ALT4(EX-Q)	790.00	17.05	25.32		25.41	0.001220	2.98	819.10	540.14	0.22
1	23112	25-YR	ALT4(FU-Q)	882.00	17.05	25.64		25.71	0.001043	2.83	988.67	551.40	0.20
1	23112	50-YR	ALT4(EX-Q)	985.00	17.05	25.92		25.98	0.000939	2.77	1145.05	560.24	0.19
1	23112	50-YR	ALT4(FU-Q)	1090.00	17.05	26.18		26.23	0.000868	2.74	1291.11	568.28	0.19
1	23112	100-YR	ALT4(EX-Q)	1209.00	17.05	26.45		26.51	0.000806	2.71	1451.04	603.51	0.18
1	23112	100-YR	ALT4(FU-Q)	1305.00	17.05	26.60		26.66	0.000811	2.76	1546.79	662.41	0.18
1	22625	2-YR	ALT4(EX-Q)	294.00	15.00	21.55		21.69	0.002232	2.93	100.41	30.64	0.29

HEC-RAS River: Parkers Creek Reach: 1 (Continued)

Reach	River Sta	Profile	Plan	Q Total (cfs)	Min Ch El (ft)	W.S. Elev (ft)	Crit W.S. (ft)	E.G. Elev (ft)	E.G. Slope (ft/ft)	Vel Chnl (ft/s)	Flow Area (sq ft)	Top Width (ft)	Froude # Chl
1	22625	2-YR	ALT4(FU-Q)	361.00	15.00	22.00		22.15	0.002369	3.15	114.53	32.73	0.30
1	22625	10-YR	ALT4(EX-Q)	571.00	15.00	23.39		23.57	0.002348	3.46	165.04	41.94	0.30
1	22625	10-YR	ALT4(FU-Q)	662.00	15.00	23.82		24.02	0.002311	3.62	184.07	46.43	0.31
1	22625	25-YR	ALT4(EX-Q)	790.00	15.00	24.37		24.59	0.002344	3.81	211.99	57.08	0.31
1	22625	25-YR	ALT4(FU-Q)	882.00	15.00	24.73		24.97	0.002263	3.94	234.21	65.92	0.31
1	22625	50-YR	ALT4(EX-Q)	985.00	15.00	25.01		25.27	0.002337	4.15	256.42	111.23	0.32
1	22625	50-YR	ALT4(FU-Q)	1090.00	15.00	25.26		25.55	0.002419	4.35	288.86	148.04	0.33
1	22625	100-YR	ALT4(EX-Q)	1209.00	15.00	25.52		25.84	0.002496	4.56	336.09	206.67	0.33
1	22625	100-YR	ALT4(FU-Q)	1305.00	15.00	25.61		25.96	0.002734	4.83	355.16	220.32	0.35
1	22188	2-YR	ALT4(EX-Q)	294.00	14.22	21.34	16.05	21.37	0.000306	1.46	201.03	36.66	0.11
1	22188	2-YR	ALT4(FU-Q)	361.00	14.22	21.74	16.31	21.78	0.000378	1.67	215.91	37.61	0.12
1	22188	10-YR	ALT4(EX-Q)	571.00	14.22	23.04	17.01	23.11	0.000527	2.14	266.91	90.49	0.15
1	22188	10-YR	ALT4(FU-Q)	662.00	14.22	23.44	17.28	23.52	0.000601	2.34	283.20	116.86	0.16
1	22188	25-YR	ALT4(EX-Q)	790.00	14.22	23.94	17.64	24.04	0.000700	2.60	304.31	164.57	0.17
1	22188	25-YR	ALT4(FU-Q)	882.00	14.22	24.29	17.88	24.40	0.000744	2.76	320.16	188.97	0.18
1	22188	50-YR	ALT4(EX-Q)	985.00	14.22	24.52	18.13	24.66	0.000836	2.99	332.08	204.74	0.19
1	22188	50-YR	ALT4(FU-Q)	1090.00	14.22	24.72	18.38	24.88	0.000939	3.22	342.83	217.69	0.20
1	22188	100-YR	ALT4(EX-Q)	1209.00	14.22	24.94	18.66	25.12	0.001056	3.48	355.00	245.83	0.22
1	22188	100-YR	ALT4(FU-Q)	1305.00	14.22	25.10	18.87	25.25	0.000935	3.32	637.31	253.93	0.20
1	21825	2-YR	ALT4(EX-Q)	294.00	13.36	21.25		21.28	0.000217	1.39	211.27	34.20	0.10
1	21825	2-YR	ALT4(FU-Q)	361.00	13.36	21.62		21.67	0.000278	1.61	224.28	34.91	0.11
1	21825	10-YR	ALT4(EX-Q)	571.00	13.36	22.87		22.94	0.000433	2.12	269.30	38.36	0.14
1	21825	10-YR	ALT4(FU-Q)	662.00	13.36	23.23		23.32	0.000535	2.33	283.82	41.70	0.16
1	21825	25-YR	ALT4(EX-Q)	790.00	13.36	23.69		23.79	0.000674	2.60	303.78	45.90	0.18
1	21825	25-YR	ALT4(FU-Q)	882.00	13.36	24.01		24.13	0.000773	2.76	319.05	49.36	0.19
1	21825	50-YR	ALT4(EX-Q)	985.00	13.36	24.20		24.34	0.000929	3.00	328.82	52.33	0.21
1	21825	50-YR	ALT4(FU-Q)	1090.00	13.36	24.35		24.52	0.001101	3.24	336.85	54.65	0.23
1	21825	100-YR	ALT4(EX-Q)	1209.00	13.36	24.51		24.70	0.001305	3.50	345.55	57.05	0.25
1	21825	100-YR	ALT4(FU-Q)	1305.00	13.36	24.61		24.82	0.001482	3.71	351.41	58.61	0.27
1	21432	2-YR	ALT4(EX-Q)	305.00	12.86	21.20		21.22	0.000110	1.06	287.95	49.31	0.08
1	21432	2-YR	ALT4(FU-Q)	367.00	12.86	21.56		21.59	0.000134	1.20	306.21	50.61	0.09
1	21432	10-YR	ALT4(EX-Q)	586.00	12.86	22.78		22.82	0.000204	1.58	370.36	54.92	0.11
1	21432	10-YR	ALT4(FU-Q)	672.00	12.86	23.12		23.17	0.000240	1.73	389.54	57.44	0.12
1	21432	25-YR	ALT4(EX-Q)	807.00	12.86	23.55		23.61	0.000298	1.94	444.79	222.02	0.13
1	21432	25-YR	ALT4(FU-Q)	901.00	12.86	23.86		23.93	0.000316	2.05	549.45	421.05	0.14
1	21432	50-YR	ALT4(EX-Q)	1012.00	12.86	24.03		24.11	0.000363	2.22	626.43	479.17	0.15
1	21432	50-YR	ALT4(FU-Q)	1115.00	12.86	24.16		24.25	0.000408	2.37	688.89	493.97	0.15
1	21432	100-YR	ALT4(EX-Q)	1242.00	12.86	24.29		24.39	0.000468	2.57	752.13	504.75	0.17

HEC-RAS River: Parkers Creek Reach: 1 (Continued)

Reach	River Sta	Profile	Plan	Q Total (cfs)	Min Ch El (ft)	W.S. Elev (ft)	Crit W.S. (ft)	E.G. Elev (ft)	E.G. Slope (ft/ft)	Vel Chnl (ft/s)	Flow Area (sq ft)	Top Width (ft)	Froude # Chl
1	21432	100-YR	ALT4(FU-Q)	1336.00	12.86	24.37		24.47	0.000516	2.71	791.99	511.43	0.17
1	21390	2-YR	ALT4(EX-Q)	305.00	12.86	21.12	17.03	21.19	0.000600	2.14	142.52	35.44	0.17
1	21390	2-YR	ALT4(FU-Q)	367.00	12.86	21.47	17.35	21.56	0.000687	2.40	152.91	36.93	0.19
1	21390	10-YR	ALT4(EX-Q)	586.00	12.86	22.62	18.27	22.77	0.000888	3.13	187.45	421.64	0.22
1	21390	10-YR	ALT4(FU-Q)	672.00	12.86	22.93	18.57	23.11	0.000991	3.41	196.88	459.52	0.23
1	21390	25-YR	ALT4(EX-Q)	807.00	12.86	23.30	19.01	23.54	0.001190	3.88	208.01	490.07	0.26
1	21390	25-YR	ALT4(FU-Q)	901.00	12.86	23.57	19.29	23.84	0.001306	4.17	216.13	516.95	0.27
1	21390	50-YR	ALT4(EX-Q)	1012.00	12.86	24.02	19.58	24.08	0.000595	2.24	1070.77	538.69	0.18
1	21390	50-YR	ALT4(FU-Q)	1115.00	12.86	24.15	19.82	24.21	0.000629	2.34	1140.70	544.56	0.18
1	21390	100-YR	ALT4(EX-Q)	1242.00	12.86	24.28	20.12	24.34	0.000683	2.48	1210.90	555.08	0.19
1	21390	100-YR	ALT4(FU-Q)	1336.00	12.86	24.36	20.32	24.43	0.000729	2.59	1255.05	561.59	0.20
1	21349			Culvert									
1	21300	2-YR	ALT4(EX-Q)	305.00	12.86	21.09	16.12	21.13	0.000263	1.61	189.36	73.18	0.11
1	21300	2-YR	ALT4(FU-Q)	367.00	12.86	21.42	16.35	21.47	0.000321	1.84	199.28	77.45	0.13
1	21300	10-YR	ALT4(EX-Q)	586.00	12.86	22.45	17.04	22.49	0.000344	1.51	454.07	340.54	0.12
1	21300	10-YR	ALT4(FU-Q)	672.00	12.86	22.69	17.28	22.73	0.000368	1.61	540.64	368.91	0.13
1	21300	25-YR	ALT4(EX-Q)	807.00	12.86	22.93	17.60	22.98	0.000432	1.80	630.85	383.80	0.14
1	21300	25-YR	ALT4(FU-Q)	901.00	12.86	23.14	17.82	23.19	0.000453	1.90	711.71	400.41	0.14
1	21300	50-YR	ALT4(EX-Q)	1012.00	12.86	23.34	18.06	23.40	0.000489	2.02	797.63	456.32	0.15
1	21300	50-YR	ALT4(FU-Q)	1115.00	12.86	23.51	18.28	23.57	0.000513	2.11	876.31	464.94	0.16
1	21300	100-YR	ALT4(EX-Q)	1242.00	12.86	23.70	18.54	23.77	0.000545	2.22	965.19	475.40	0.16
1	21300	100-YR	ALT4(FU-Q)	1336.00	12.86	23.84	18.72	23.91	0.000565	2.30	1029.48	483.39	0.17
1	21230	2-YR	ALT4(EX-Q)	305.00	12.50	21.06	16.45	21.10	0.000551	1.65	184.36	47.25	0.15
1	21230	2-YR	ALT4(FU-Q)	367.00	12.50	21.39	16.75	21.44	0.000650	1.83	200.34	59.46	0.16
1	21230	10-YR	ALT4(EX-Q)	586.00	12.50	22.35	17.63	22.43	0.000945	2.31	256.78	352.87	0.20
1	21230	10-YR	ALT4(FU-Q)	672.00	12.50	22.58	17.91	22.68	0.001038	2.51	278.87	417.91	0.21
1	21230	25-YR	ALT4(EX-Q)	807.00	12.50	22.89	18.32	22.94	0.000680	2.12	633.59	481.77	0.17
1	21230	25-YR	ALT4(FU-Q)	901.00	12.50	23.11	18.58	23.16	0.000628	2.10	743.40	534.41	0.17
1	21230	50-YR	ALT4(EX-Q)	1012.00	12.50	23.31	18.88	23.36	0.000602	2.11	855.18	566.13	0.16
1	21230	50-YR	ALT4(FU-Q)	1115.00	12.50	23.48	19.13	23.53	0.000584	2.13	955.70	593.85	0.16
1	21230	100-YR	ALT4(EX-Q)	1242.00	12.50	23.67	19.42	23.72	0.000572	2.15	1072.22	624.00	0.16
1	21230	100-YR	ALT4(FU-Q)	1336.00	12.50	23.81	19.65	23.85	0.000565	2.18	1158.54	649.55	0.16
1	20450	2-YR	ALT4(EX-Q)	305.00	11.92	20.80		20.81	0.000258	0.87	350.26	141.89	0.10
1	20450	2-YR	ALT4(FU-Q)	367.00	11.92	21.11		21.13	0.000260	0.93	395.69	147.62	0.10
1	20450	10-YR	ALT4(EX-Q)	586.00	11.92	22.05		22.07	0.000253	1.10	558.19	255.76	0.10
1	20450	10-YR	ALT4(FU-Q)	672.00	11.92	22.26		22.28	0.000274	1.19	615.76	299.82	0.11

HEC-RAS River: Parkers Creek Reach: 1 (Continued)

Reach	River Sta	Profile	Plan	Q Total (cfs)	Min Ch El (ft)	W.S. Elev (ft)	Crit W.S. (ft)	E.G. Elev (ft)	E.G. Slope (ft/ft)	Vel Chnl (ft/s)	Flow Area (sq ft)	Top Width (ft)	Froude # Chl
1	20450	25-YR	ALT4(EX-Q)	807.00	11.92	22.58		22.60	0.000296	1.30	718.02	348.49	0.11
1	20450	25-YR	ALT4(FU-Q)	901.00	11.92	22.79		22.82	0.000306	1.37	799.58	417.32	0.12
1	20450	50-YR	ALT4(EX-Q)	1012.00	11.92	22.98		23.02	0.000327	1.46	883.84	456.11	0.12
1	20450	50-YR	ALT4(FU-Q)	1115.00	11.92	23.15		23.18	0.000347	1.53	964.93	587.94	0.12
1	20450	100-YR	ALT4(EX-Q)	1242.00	11.92	23.33		23.37	0.000369	1.62	1082.50	679.71	0.13
1	20450	100-YR	ALT4(FU-Q)	1336.00	11.92	23.46		23.50	0.000380	1.68	1172.36	701.34	0.13
1	19831	2-YR	ALT4(EX-Q)	305.00	11.66	20.69		20.70	0.000139	0.83	367.21	116.11	0.08
1	19831	2-YR	ALT4(FU-Q)	367.00	11.66	20.99		21.00	0.000162	0.91	404.02	129.04	0.09
1	19831	10-YR	ALT4(EX-Q)	586.00	11.66	21.92		21.94	0.000191	1.06	635.89	356.17	0.10
1	19831	10-YR	ALT4(FU-Q)	672.00	11.66	22.12		22.13	0.000204	1.14	715.84	456.20	0.10
1	19831	25-YR	ALT4(EX-Q)	807.00	11.66	22.43		22.45	0.000208	1.21	865.69	507.93	0.11
1	19831	25-YR	ALT4(FU-Q)	901.00	11.66	22.64		22.66	0.000207	1.25	981.15	587.01	0.11
1	19831	50-YR	ALT4(EX-Q)	1012.00	11.66	22.83		22.85	0.000214	1.31	1098.21	654.02	0.11
1	19831	50-YR	ALT4(FU-Q)	1115.00	11.66	22.99		23.01	0.000220	1.36	1203.50	674.22	0.11
1	19831	100-YR	ALT4(EX-Q)	1242.00	11.66	23.16		23.19	0.000228	1.41	1321.98	696.27	0.11
1	19831	100-YR	ALT4(FU-Q)	1336.00	11.66	23.29		23.31	0.000232	1.45	1412.59	722.43	0.11
1	19151	2-YR	ALT4(EX-Q)	305.00	11.43	20.48		20.53	0.000538	1.81	169.66	58.46	0.16
1	19151	2-YR	ALT4(FU-Q)	367.00	11.43	20.73		20.80	0.000692	2.04	191.82	122.23	0.18
1	19151	10-YR	ALT4(EX-Q)	586.00	11.43	21.62		21.69	0.000839	2.27	448.11	430.34	0.20
1	19151	10-YR	ALT4(FU-Q)	672.00	11.43	21.81		21.88	0.000867	2.37	528.12	450.89	0.21
1	19151	25-YR	ALT4(EX-Q)	807.00	11.43	22.12		22.19	0.000856	2.45	686.05	553.02	0.21
1	19151	25-YR	ALT4(FU-Q)	901.00	11.43	22.34		22.40	0.000940	2.32	815.61	602.76	0.21
1	19151	50-YR	ALT4(EX-Q)	1012.00	11.43	22.52		22.58	0.000937	2.39	933.19	712.09	0.21
1	19151	50-YR	ALT4(FU-Q)	1115.00	11.43	22.68		22.74	0.000902	2.41	1054.06	789.40	0.21
1	19151	100-YR	ALT4(EX-Q)	1242.00	11.43	22.85		22.91	0.000877	2.44	1194.71	838.66	0.21
1	19151	100-YR	ALT4(FU-Q)	1336.00	11.43	22.98		23.04	0.000842	2.44	1306.03	864.37	0.21
1	18287	2-YR	ALT4(EX-Q)	425.00	11.26	20.19		20.22	0.000269	1.35	322.94	155.35	0.12
1	18287	2-YR	ALT4(FU-Q)	512.00	11.26	20.37		20.41	0.000332	1.54	355.81	198.92	0.13
1	18287	10-YR	ALT4(EX-Q)	821.00	11.26	21.19		21.24	0.000390	1.88	633.37	451.35	0.15
1	18287	10-YR	ALT4(FU-Q)	922.00	11.26	21.35		21.40	0.000416	1.98	704.55	468.35	0.15
1	18287	25-YR	ALT4(EX-Q)	1107.00	11.26	21.64		21.70	0.000437	2.11	847.99	496.43	0.16
1	18287	25-YR	ALT4(FU-Q)	1252.00	11.26	21.82		21.88	0.000464	2.22	937.01	511.82	0.16
1	18287	50-YR	ALT4(EX-Q)	1425.00	11.26	21.95		22.02	0.000531	2.41	1002.46	528.47	0.18
1	18287	50-YR	ALT4(FU-Q)	1570.00	11.26	22.05		22.13	0.000601	2.60	1061.27	595.98	0.19
1	18287	100-YR	ALT4(EX-Q)	1765.00	11.26	22.19		22.28	0.000659	2.76	1143.82	610.53	0.20
1	18287	100-YR	ALT4(FU-Q)	1913.00	11.26	22.31		22.40	0.000680	2.84	1220.59	632.07	0.20
1	17977	2-YR	ALT4(EX-Q)	425.00	11.26	20.10		20.13	0.000275	1.58	360.62	205.47	0.12

HEC-RAS River: Parkers Creek Reach: 1 (Continued)

Reach	River Sta	Profile	Plan	Q Total (cfs)	Min Ch El (ft)	W.S. Elev (ft)	Crit W.S. (ft)	E.G. Elev (ft)	E.G. Slope (ft/ft)	Vel Chnl (ft/s)	Flow Area (sq ft)	Top Width (ft)	Froude # Chl
1	17977	2-YR	ALT4(FU-Q)	512.00	11.26	20.26		20.31	0.000344	1.80	395.23	220.38	0.14
1	17977	10-YR	ALT4(EX-Q)	821.00	11.26	21.05		21.11	0.000422	2.19	632.97	397.30	0.16
1	17977	10-YR	ALT4(FU-Q)	922.00	11.26	21.19		21.26	0.000464	2.33	690.41	416.41	0.17
1	17977	25-YR	ALT4(EX-Q)	1107.00	11.26	21.48		21.55	0.000511	2.52	813.24	452.00	0.17
1	17977	25-YR	ALT4(FU-Q)	1252.00	11.26	21.64		21.72	0.000561	2.69	887.01	467.03	0.18
1	17977	50-YR	ALT4(EX-Q)	1425.00	11.26	21.73		21.83	0.000666	2.95	930.79	475.72	0.20
1	17977	50-YR	ALT4(FU-Q)	1570.00	11.26	21.81		21.92	0.000751	3.16	968.70	483.13	0.21
1	17977	100-YR	ALT4(EX-Q)	1765.00	11.26	21.91		22.03	0.000866	3.43	1017.65	492.65	0.23
1	17977	100-YR	ALT4(FU-Q)	1913.00	11.26	22.02		22.15	0.000925	3.58	1070.27	502.99	0.24
1	17681	2-YR	ALT4(EX-Q)	429.00	11.48	19.96	15.67	20.01	0.000697	1.79	241.18	344.70	0.18
1	17681	2-YR	ALT4(FU-Q)	520.00	11.48	20.07	16.01	20.14	0.000899	2.08	251.68	382.13	0.21
1	17681	10-YR	ALT4(EX-Q)	834.00	11.48	20.79	16.95	20.90	0.001157	2.71	315.67	471.45	0.24
1	17681	10-YR	ALT4(FU-Q)	939.00	11.48	21.05	17.22	21.09	0.000544	1.92	897.25	592.69	0.17
1	17681	25-YR	ALT4(EX-Q)	1124.00	11.48	21.33	17.64	21.37	0.000551	2.02	1089.18	742.12	0.17
1	17681	25-YR	ALT4(FU-Q)	1272.00	11.48	21.48	18.00	21.52	0.000581	2.12	1203.95	786.66	0.18
1	17681	50-YR	ALT4(EX-Q)	1447.00	11.48	21.54	18.40	21.59	0.000695	2.34	1252.90	800.18	0.19
1	17681	50-YR	ALT4(FU-Q)	1599.00	11.48	21.59	18.76	21.66	0.000794	2.52	1295.19	811.67	0.21
1	17681	100-YR	ALT4(EX-Q)	1795.00	11.48	21.66	19.16	21.73	0.000927	2.74	1349.23	854.79	0.22
1	17681	100-YR	ALT4(FU-Q)	1950.00	11.48	21.75	19.41	21.83	0.000978	2.86	1427.94	878.70	0.23
1	17595			Bridge									
1	17542	2-YR	ALT4(EX-Q)	429.00	11.48	19.88	15.45	19.92	0.000459	1.65	259.37	347.07	0.15
1	17542	2-YR	ALT4(FU-Q)	520.00	11.48	19.96	15.76	20.02	0.000630	1.96	264.93	363.50	0.18
1	17542	10-YR	ALT4(EX-Q)	834.00	11.48	20.46	16.66	20.53	0.000810	2.31	623.06	589.50	0.20
1	17542	10-YR	ALT4(FU-Q)	939.00	11.48	20.66	16.91	20.73	0.000779	2.34	749.51	664.67	0.20
1	17542	25-YR	ALT4(EX-Q)	1124.00	11.48	21.06	17.33	21.12	0.000634	2.25	1038.88	834.14	0.19
1	17542	25-YR	ALT4(FU-Q)	1272.00	11.48	21.29	17.64	21.35	0.000620	2.30	1261.23	1108.99	0.18
1	17542	50-YR	ALT4(EX-Q)	1447.00	11.48	21.34	17.99	21.41	0.000753	2.55	1312.50	1166.65	0.20
1	17542	50-YR	ALT4(FU-Q)	1599.00	11.48	21.38	18.27	21.45	0.000870	2.75	1357.95	1195.55	0.22
1	17542	100-YR	ALT4(EX-Q)	1795.00	11.48	21.44	18.59	21.53	0.001006	2.98	1432.06	1250.54	0.24
1	17542	100-YR	ALT4(FU-Q)	1950.00	11.48	21.60	18.83	21.69	0.000941	2.95	1652.95	1383.54	0.23
1	17391	2-YR	ALT4(EX-Q)	429.00	11.48	19.88		19.89	0.000052	0.62	1318.50	731.62	0.05
1	17391	2-YR	ALT4(FU-Q)	520.00	11.48	19.96		19.97	0.000068	0.72	1378.02	733.49	0.06
1	17391	10-YR	ALT4(EX-Q)	834.00	11.48	20.46		20.47	0.000089	0.88	1747.49	770.37	0.07
1	17391	10-YR	ALT4(FU-Q)	939.00	11.48	20.66		20.67	0.000089	0.90	1912.86	851.18	0.07
1	17391	25-YR	ALT4(EX-Q)	1124.00	11.48	21.06		21.07	0.000081	0.91	2262.93	899.63	0.07
1	17391	25-YR	ALT4(FU-Q)	1272.00	11.48	21.29		21.30	0.000082	0.94	2480.15	1015.29	0.07
1	17391	50-YR	ALT4(EX-Q)	1447.00	11.48	21.33		21.34	0.000101	1.05	2526.38	1080.01	0.08

HEC-RAS River: Parkers Creek Reach: 1 (Continued)

Reach	River Sta	Profile	Plan	Q Total (cfs)	Min Ch El (ft)	W.S. Elev (ft)	Crit W.S. (ft)	E.G. Elev (ft)	E.G. Slope (ft/ft)	Vel Chnl (ft/s)	Flow Area (sq ft)	Top Width (ft)	Froude # Chl
1	17391	50-YR	ALT4(FU-Q)	1599.00	11.48	21.37		21.38	0.000119	1.14	2567.54	1126.36	0.08
1	17391	100-YR	ALT4(EX-Q)	1795.00	11.48	21.43		21.44	0.000141	1.25	2635.63	1186.51	0.09
1	17391	100-YR	ALT4(FU-Q)	1950.00	11.48	21.60		21.61	0.000142	1.28	2834.68	1239.81	0.09
1	17239	2-YR	ALT4(EX-Q)	429.00	11.00	19.88		19.88	0.000021	0.35	2069.52	927.73	0.03
1	17239	2-YR	ALT4(FU-Q)	520.00	11.00	19.96		19.96	0.000028	0.40	2143.94	932.47	0.04
1	17239	10-YR	ALT4(EX-Q)	834.00	11.00	20.45		20.46	0.000039	0.52	2614.54	973.22	0.04
1	17239	10-YR	ALT4(FU-Q)	939.00	11.00	20.65		20.66	0.000040	0.54	2812.99	1026.57	0.05
1	17239	25-YR	ALT4(EX-Q)	1124.00	11.00	21.05		21.06	0.000040	0.58	3250.67	1156.23	0.05
1	17239	25-YR	ALT4(FU-Q)	1272.00	11.00	21.28		21.29	0.000042	0.61	3536.68	1337.78	0.05
1	17239	50-YR	ALT4(EX-Q)	1447.00	11.00	21.33		21.33	0.000052	0.68	3594.45	1391.81	0.05
1	17239	50-YR	ALT4(FU-Q)	1599.00	11.00	21.36		21.37	0.000062	0.74	3645.25	1442.84	0.06
1	17239	100-YR	ALT4(EX-Q)	1795.00	11.00	21.42		21.42	0.000073	0.82	3728.54	1506.06	0.06
1	17239	100-YR	ALT4(FU-Q)	1950.00	11.00	21.58		21.59	0.000074	0.84	3985.65	1627.35	0.06
1	17049	2-YR	ALT4(EX-Q)	429.00	11.00	19.87		19.87	0.000053	0.54	1335.76	722.65	0.05
1	17049	2-YR	ALT4(FU-Q)	520.00	11.00	19.95		19.95	0.000069	0.63	1392.64	743.68	0.06
1	17049	10-YR	ALT4(EX-Q)	834.00	11.00	20.44		20.44	0.000093	0.80	1794.26	925.21	0.07
1	17049	10-YR	ALT4(FU-Q)	939.00	11.00	20.64		20.64	0.000092	0.82	1986.34	999.04	0.07
1	17049	25-YR	ALT4(EX-Q)	1124.00	11.00	21.04		21.04	0.000087	0.85	2417.27	1186.13	0.07
1	17049	25-YR	ALT4(FU-Q)	1272.00	11.00	21.27		21.27	0.000121	1.03	2725.43	1495.14	0.08
1	17049	50-YR	ALT4(EX-Q)	1447.00	11.00	21.31		21.31	0.000148	1.14	2784.04	1562.23	0.09
1	17049	50-YR	ALT4(FU-Q)	1599.00	11.00	21.34		21.35	0.000172	1.24	2834.81	1591.11	0.10
1	17049	100-YR	ALT4(EX-Q)	1795.00	11.00	21.39		21.40	0.000202	1.35	2919.44	1631.99	0.10
1	17049	100-YR	ALT4(FU-Q)	1950.00	11.00	21.56		21.57	0.000192	1.34	3202.78	1798.12	0.10
1	16922	2-YR	ALT4(EX-Q)	429.00	11.00	19.79	15.28	19.84	0.000663	1.85	240.36	1061.60	0.16
1	16922	2-YR	ALT4(FU-Q)	520.00	11.00	19.83	15.62	19.90	0.000955	2.21	243.51	1076.44	0.20
1	16922	10-YR	ALT4(EX-Q)	834.00	11.00	20.20	16.60	20.36	0.001936	3.20	275.38	1289.32	0.28
1	16922	10-YR	ALT4(FU-Q)	939.00	11.00	20.37	16.89	20.56	0.002119	3.45	290.79	1409.91	0.30
1	16922	25-YR	ALT4(EX-Q)	1124.00	11.00	20.73	17.34	20.94	0.002253	3.76	323.94	1486.64	0.31
1	16922	25-YR	ALT4(FU-Q)	1272.00	11.00	20.90	17.66	21.15	0.002528	4.08	339.47	1504.29	0.33
1	16922	50-YR	ALT4(EX-Q)	1447.00	11.00	20.81	18.01	21.15	0.003501	4.74	331.45	1495.17	0.39
1	16922	50-YR	ALT4(FU-Q)	1599.00	11.00	20.71	18.28	21.15	0.004647	5.37	321.77	1484.18	0.45
1	16922	100-YR	ALT4(EX-Q)	1795.00	11.00	21.36	18.61	21.36	0.000174	1.14	3668.23	1815.33	0.09
1	16922	100-YR	ALT4(FU-Q)	1950.00	11.00	21.52	18.86	21.53	0.000169	1.14	3983.35	1984.37	0.09
1	16870			Bridge									
1	16813	2-YR	ALT4(EX-Q)	429.00	11.00	19.74	14.42	19.76	0.000209	1.22	352.10	1141.21	0.10
1	16813	2-YR	ALT4(FU-Q)	520.00	11.00	19.76	14.70	19.79	0.000303	1.47	353.43	1153.51	0.12

HEC-RAS River: Parkers Creek Reach: 1 (Continued)

Reach	River Sta	Profile	Plan	Q Total (cfs)	Min Ch El (ft)	W.S. Elev (ft)	Crit W.S. (ft)	E.G. Elev (ft)	E.G. Slope (ft/ft)	Vel Chnl (ft/s)	Flow Area (sq ft)	Top Width (ft)	Froude # Chl
1	16813	10-YR	ALT4(EX-Q)	834.00	11.00	19.99	15.47	20.06	0.000669	2.25	369.92	1222.81	0.18
1	16813	10-YR	ALT4(FU-Q)	939.00	11.00	20.08	15.70	20.09	0.000197	1.03	1935.54	1250.13	0.09
1	16813	25-YR	ALT4(EX-Q)	1124.00	11.00	20.25	16.07	20.26	0.000220	1.12	2161.28	1307.33	0.10
1	16813	25-YR	ALT4(FU-Q)	1272.00	11.00	20.47	16.34	20.48	0.000211	1.13	2452.13	1382.89	0.10
1	16813	50-YR	ALT4(EX-Q)	1447.00	11.00	20.70	16.62	20.71	0.000203	1.15	2778.65	1448.06	0.10
1	16813	50-YR	ALT4(FU-Q)	1599.00	11.00	20.93	16.86	20.94	0.000189	1.14	3115.69	1519.45	0.09
1	16813	100-YR	ALT4(EX-Q)	1795.00	11.00	21.18	17.18	21.19	0.000179	1.15	3513.45	1637.27	0.09
1	16813	100-YR	ALT4(FU-Q)	1950.00	11.00	21.38	17.42	21.39	0.000169	1.15	3859.73	1780.46	0.09
1	16629	2-YR	ALT4(EX-Q)	429.00	10.50	19.73		19.73	0.000063	0.59	1418.53	1093.24	0.05
1	16629	2-YR	ALT4(FU-Q)	520.00	10.50	19.75		19.75	0.000091	0.71	1435.83	1100.54	0.06
1	16629	10-YR	ALT4(EX-Q)	834.00	10.50	19.98		19.98	0.000156	0.97	1700.16	1200.74	0.08
1	16629	10-YR	ALT4(FU-Q)	939.00	10.50	20.05		20.06	0.000174	1.03	1793.73	1231.97	0.09
1	16629	25-YR	ALT4(EX-Q)	1124.00	10.50	20.23		20.24	0.000187	1.10	2016.59	1327.69	0.09
1	16629	25-YR	ALT4(FU-Q)	1272.00	10.50	20.45		20.45	0.000171	1.09	2327.93	1555.18	0.09
1	16629	50-YR	ALT4(EX-Q)	1447.00	10.50	20.68		20.69	0.000158	1.08	2709.28	1681.00	0.08
1	16629	50-YR	ALT4(FU-Q)	1599.00	10.50	20.91		20.91	0.000138	1.04	3103.05	1747.50	0.08
1	16629	100-YR	ALT4(EX-Q)	1795.00	10.50	21.16		21.17	0.000126	1.02	3561.05	1848.65	0.08
1	16629	100-YR	ALT4(FU-Q)	1950.00	10.50	21.37		21.37	0.000115	1.00	3951.78	1951.62	0.07
1	16473	2-YR	ALT4(EX-Q)	429.00	10.50	19.72		19.73	0.000061	0.61	1410.27	921.10	0.05
1	16473	2-YR	ALT4(FU-Q)	520.00	10.50	19.73		19.74	0.000088	0.74	1421.13	938.79	0.06
1	16473	10-YR	ALT4(EX-Q)	834.00	10.50	19.95		19.96	0.000165	1.05	1646.53	1115.42	0.08
1	16473	10-YR	ALT4(FU-Q)	939.00	10.50	20.02		20.03	0.000207	1.19	1728.99	1199.89	0.10
1	16473	25-YR	ALT4(EX-Q)	1124.00	10.50	20.19		20.21	0.000228	1.27	1947.54	1387.61	0.10
1	16473	25-YR	ALT4(FU-Q)	1272.00	10.50	20.42		20.43	0.000209	1.26	2280.36	1565.44	0.10
1	16473	50-YR	ALT4(EX-Q)	1447.00	10.50	20.65		20.66	0.000195	1.25	2658.41	1681.80	0.09
1	16473	50-YR	ALT4(FU-Q)	1599.00	10.50	20.88		20.89	0.000173	1.21	3073.58	1841.13	0.09
1	16473	100-YR	ALT4(EX-Q)	1795.00	10.50	21.14		21.15	0.000154	1.18	3566.72	2004.94	0.08
1	16473	100-YR	ALT4(FU-Q)	1950.00	10.50	21.35		21.35	0.000139	1.14	3997.69	2177.47	0.08
1	16107	2-YR	ALT4(EX-Q)	427.00	9.95	19.71		19.71	0.000039	0.53	1419.44	789.92	0.04
1	16107	2-YR	ALT4(FU-Q)	522.00	9.95	19.71		19.71	0.000058	0.65	1422.14	790.29	0.05
1	16107	10-YR	ALT4(EX-Q)	880.00	9.95	19.89		19.91	0.000140	1.03	1572.63	823.11	0.08
1	16107	10-YR	ALT4(FU-Q)	1001.00	9.95	19.95		19.97	0.000171	1.15	1620.37	825.88	0.09
1	16107	25-YR	ALT4(EX-Q)	1183.00	9.95	20.11		20.13	0.000205	1.28	1752.56	833.48	0.10
1	16107	25-YR	ALT4(FU-Q)	1341.00	9.95	20.33		20.35	0.000215	1.35	1936.93	843.45	0.10
1	16107	50-YR	ALT4(EX-Q)	1516.00	9.95	20.57		20.59	0.000223	1.41	2135.48	853.98	0.10
1	16107	50-YR	ALT4(FU-Q)	1684.00	9.95	20.80		20.82	0.000225	1.46	2337.32	864.85	0.11
1	16107	100-YR	ALT4(EX-Q)	1884.00	9.95	21.06		21.08	0.000229	1.51	2562.90	875.00	0.11
1	16107	100-YR	ALT4(FU-Q)	2057.00	9.95	21.27		21.29	0.000232	1.55	2745.69	883.13	0.11

HEC-RAS River: Parkers Creek Reach: 1 (Continued)

Reach	River Sta	Profile	Plan	Q Total (cfs)	Min Ch El (ft)	W.S. Elev (ft)	Crit W.S. (ft)	E.G. Elev (ft)	E.G. Slope (ft/ft)	Vel Chnl (ft/s)	Flow Area (sq ft)	Top Width (ft)	Froude # Chl
1	15942	2-YR	ALT4(EX-Q)	427.00	10.00	19.69	14.47	19.70	0.000115	0.84	1168.52	836.59	0.07
1	15942	2-YR	ALT4(FU-Q)	522.00	10.00	19.69	14.85	19.70	0.000170	1.02	1166.35	836.36	0.08
1	15942	10-YR	ALT4(EX-Q)	880.00	10.00	19.85	15.91	19.87	0.000378	1.56	1303.38	846.91	0.13
1	15942	10-YR	ALT4(FU-Q)	1001.00	10.00	19.90	16.22	19.93	0.000453	1.72	1345.66	849.81	0.14
1	15942	25-YR	ALT4(EX-Q)	1183.00	10.00	20.06	16.63	20.08	0.000501	1.85	1477.55	858.81	0.15
1	15942	25-YR	ALT4(FU-Q)	1341.00	10.00	20.28	16.97	20.30	0.000468	1.84	1671.32	870.51	0.14
1	15942	50-YR	ALT4(EX-Q)	1516.00	10.00	20.52	18.03	20.54	0.000437	1.83	1879.34	882.00	0.14
1	15942	50-YR	ALT4(FU-Q)	1684.00	10.00	20.76	18.24	20.78	0.000404	1.81	2090.53	898.06	0.14
1	15942	100-YR	ALT4(EX-Q)	1884.00	10.00	21.02	18.40	21.04	0.000375	1.80	2326.87	908.59	0.13
1	15942	100-YR	ALT4(FU-Q)	2057.00	10.00	21.23	18.54	21.25	0.000357	1.80	2517.85	916.42	0.13
1	15895			Culvert									
1	15845	2-YR	ALT4(EX-Q)	427.00	9.80	19.69	14.26	19.70	0.000117	0.79	1219.40	853.09	0.07
1	15845	2-YR	ALT4(FU-Q)	522.00	9.80	19.69	14.68	19.70	0.000176	0.96	1216.90	852.98	0.08
1	15845	10-YR	ALT4(EX-Q)	880.00	9.80	19.85	16.08	19.86	0.000380	1.45	1353.77	858.78	0.13
1	15845	10-YR	ALT4(FU-Q)	1001.00	9.80	19.90	16.51	19.92	0.000451	1.60	1399.47	860.70	0.14
1	15845	25-YR	ALT4(EX-Q)	1183.00	9.80	20.05	17.00	20.07	0.000495	1.71	1530.17	866.19	0.14
1	15845	25-YR	ALT4(FU-Q)	1341.00	9.80	20.28	17.88	20.30	0.000457	1.70	1726.18	874.34	0.14
1	15845	50-YR	ALT4(EX-Q)	1516.00	9.80	20.52	18.09	20.54	0.000422	1.69	1937.89	882.72	0.14
1	15845	50-YR	ALT4(FU-Q)	1684.00	9.80	20.75	18.25	20.77	0.000390	1.68	2142.46	890.74	0.13
1	15845	100-YR	ALT4(EX-Q)	1884.00	9.80	21.00	18.45	21.02	0.000366	1.68	2367.23	899.27	0.13
1	15845	100-YR	ALT4(FU-Q)	2057.00	9.80	21.22	18.58	21.23	0.000346	1.68	2561.52	906.19	0.13
1	15748	2-YR	ALT4(EX-Q)	427.00	9.50	19.68		19.69	0.000083	0.70	1297.64	727.12	0.06
1	15748	2-YR	ALT4(FU-Q)	522.00	9.50	19.67		19.68	0.000126	0.85	1292.36	726.68	0.07
1	15748	10-YR	ALT4(EX-Q)	880.00	9.50	19.82		19.83	0.000291	1.33	1397.13	735.19	0.11
1	15748	10-YR	ALT4(FU-Q)	1001.00	9.50	19.87		19.88	0.000353	1.47	1431.79	737.49	0.12
1	15748	25-YR	ALT4(EX-Q)	1183.00	9.50	20.01		20.03	0.000406	1.61	1540.31	744.65	0.13
1	15748	25-YR	ALT4(FU-Q)	1341.00	9.50	20.24		20.26	0.000392	1.64	1710.57	755.74	0.13
1	15748	50-YR	ALT4(EX-Q)	1516.00	9.50	20.48		20.50	0.000377	1.66	1895.48	767.61	0.13
1	15748	50-YR	ALT4(FU-Q)	1684.00	9.50	20.71		20.73	0.000362	1.67	2075.10	780.33	0.13
1	15748	100-YR	ALT4(EX-Q)	1884.00	9.50	20.97		20.98	0.000350	1.70	2273.52	794.66	0.13
1	15748	100-YR	ALT4(FU-Q)	2057.00	9.50	21.18		21.20	0.000341	1.71	2446.60	810.73	0.12
1	15588	2-YR	ALT4(EX-Q)	427.00	9.40	19.58	13.74	19.64	0.000361	2.10	209.70	669.49	0.13
1	15588	2-YR	ALT4(FU-Q)	522.00	9.40	19.66	14.08	19.67	0.000094	0.86	1164.44	675.87	0.07
1	15588	10-YR	ALT4(EX-Q)	880.00	9.40	19.36	15.20	19.66	0.001694	4.46	203.33	637.22	0.29
1	15588	10-YR	ALT4(FU-Q)	1001.00	9.40	19.26	15.52	19.66	0.002298	5.15	200.40	617.95	0.33
1	15588	25-YR	ALT4(EX-Q)	1183.00	9.40	19.96	15.97	19.98	0.000320	1.65	1371.35	698.30	0.12

HEC-RAS River: Parkers Creek Reach: 1 (Continued)

Reach	River Sta	Profile	Plan	Q Total (cfs)	Min Ch El (ft)	W.S. Elev (ft)	Crit W.S. (ft)	E.G. Elev (ft)	E.G. Slope (ft/ft)	Vel Chnl (ft/s)	Flow Area (sq ft)	Top Width (ft)	Froude # Chl
1	15588	25-YR	ALT4(FU-Q)	1341.00	9.40	20.19	16.36	20.21	0.000308	1.67	1533.72	716.78	0.12
1	15588	50-YR	ALT4(EX-Q)	1516.00	9.40	20.44	16.75	20.46	0.000295	1.67	1711.71	731.84	0.12
1	15588	50-YR	ALT4(FU-Q)	1684.00	9.40	20.67	17.09	20.69	0.000280	1.67	1884.76	742.52	0.12
1	15588	100-YR	ALT4(EX-Q)	1884.00	9.40	20.92	17.48	20.94	0.000270	1.69	2074.76	754.08	0.11
1	15588	100-YR	ALT4(FU-Q)	2057.00	9.40	21.14	17.80	21.16	0.000260	1.69	2240.00	763.99	0.11
1	15557			Culvert									
1	15522	2-YR	ALT4(EX-Q)	427.00	9.69	17.15	13.61	17.36	0.001495	3.72	114.93	65.30	0.27
1	15522	2-YR	ALT4(FU-Q)	522.00	9.69	17.67	13.96	17.95	0.001693	4.18	124.89	77.56	0.29
1	15522	10-YR	ALT4(EX-Q)	880.00	9.69	19.12	15.16	19.18	0.000683	2.22	690.36	589.76	0.18
1	15522	10-YR	ALT4(FU-Q)	1001.00	9.69	19.54	15.52	19.57	0.000534	1.87	942.86	627.82	0.15
1	15522	25-YR	ALT4(EX-Q)	1183.00	9.69	19.93	16.04	19.96	0.000421	1.75	1201.07	677.41	0.14
1	15522	25-YR	ALT4(FU-Q)	1341.00	9.69	20.17	16.47	20.20	0.000395	1.75	1363.11	693.28	0.13
1	15522	50-YR	ALT4(EX-Q)	1516.00	9.69	20.42	16.93	20.44	0.000370	1.75	1537.55	706.72	0.13
1	15522	50-YR	ALT4(FU-Q)	1684.00	9.69	20.65	17.35	20.67	0.000350	1.75	1699.93	717.29	0.13
1	15522	100-YR	ALT4(EX-Q)	1884.00	9.69	20.91	18.00	20.93	0.000330	1.74	1889.28	729.42	0.13
1	15522	100-YR	ALT4(FU-Q)	2057.00	9.69	21.13	18.00	21.15	0.000314	1.74	2050.27	738.79	0.12
1	15417	2-YR	ALT4(EX-Q)	427.00	9.91	17.13		17.19	0.000637	1.95	237.51	107.73	0.16
1	15417	2-YR	ALT4(FU-Q)	522.00	9.91	17.68		17.74	0.000610	2.02	314.70	193.34	0.16
1	15417	10-YR	ALT4(EX-Q)	880.00	9.91	19.07		19.11	0.000438	1.87	742.94	404.27	0.14
1	15417	10-YR	ALT4(FU-Q)	1001.00	9.91	19.48		19.52	0.000432	1.90	932.42	535.61	0.14
1	15417	25-YR	ALT4(EX-Q)	1183.00	9.91	19.88		19.91	0.000396	1.86	1187.49	662.78	0.14
1	15417	25-YR	ALT4(FU-Q)	1341.00	9.91	20.12		20.15	0.000371	1.86	1347.12	666.21	0.13
1	15417	50-YR	ALT4(EX-Q)	1516.00	9.91	20.37		20.40	0.000349	1.85	1515.68	669.81	0.13
1	15417	50-YR	ALT4(FU-Q)	1684.00	9.91	20.60		20.63	0.000331	1.85	1670.55	673.11	0.13
1	15417	100-YR	ALT4(EX-Q)	1884.00	9.91	20.87		20.90	0.000313	1.84	1848.98	677.37	0.12
1	15417	100-YR	ALT4(FU-Q)	2057.00	9.91	21.09		21.12	0.000300	1.84	1999.38	683.33	0.12
1	14659	2-YR	ALT4(EX-Q)	427.00	9.40	16.32		16.44	0.001706	2.74	158.08	50.55	0.26
1	14659	2-YR	ALT4(FU-Q)	522.00	9.40	16.90		17.03	0.001569	2.86	191.61	74.39	0.25
1	14659	10-YR	ALT4(EX-Q)	880.00	9.40	18.37		18.52	0.001663	3.27	391.67	258.52	0.27
1	14659	10-YR	ALT4(FU-Q)	1001.00	9.40	18.78		18.92	0.001866	3.15	515.86	334.44	0.28
1	14659	25-YR	ALT4(EX-Q)	1183.00	9.40	19.25		19.37	0.001567	3.11	680.78	368.41	0.26
1	14659	25-YR	ALT4(FU-Q)	1341.00	9.40	19.51		19.64	0.001545	3.21	777.26	377.57	0.26
1	14659	50-YR	ALT4(EX-Q)	1516.00	9.40	19.78		19.91	0.001518	3.30	880.80	387.16	0.26
1	14659	50-YR	ALT4(FU-Q)	1684.00	9.40	20.03		20.16	0.001495	3.38	977.33	405.51	0.26
1	14659	100-YR	ALT4(EX-Q)	1884.00	9.40	20.31		20.44	0.001462	3.46	1098.48	451.94	0.26
1	14659	100-YR	ALT4(FU-Q)	2057.00	9.40	20.54		20.68	0.001427	3.52	1209.26	484.40	0.26

HEC-RAS River: Parkers Creek Reach: 1 (Continued)

Reach	River Sta	Profile	Plan	Q Total (cfs)	Min Ch El (ft)	W.S. Elev (ft)	Crit W.S. (ft)	E.G. Elev (ft)	E.G. Slope (ft/ft)	Vel Chnl (ft/s)	Flow Area (sq ft)	Top Width (ft)	Froude # Chl
1	13848	2-YR	ALT4(EX-Q)	427.00	9.03	15.62		15.68	0.000565	1.99	214.87	49.55	0.17
1	13848	2-YR	ALT4(FU-Q)	522.00	9.03	16.15		16.22	0.000662	2.15	242.72	56.35	0.18
1	13848	10-YR	ALT4(EX-Q)	880.00	9.03	17.40		17.51	0.000949	2.69	352.75	168.73	0.22
1	13848	10-YR	ALT4(FU-Q)	1001.00	9.03	17.70		17.82	0.001023	2.83	407.33	202.64	0.23
1	13848	25-YR	ALT4(EX-Q)	1183.00	9.03	18.15		18.27	0.001199	2.88	519.36	275.53	0.25
1	13848	25-YR	ALT4(FU-Q)	1341.00	9.03	18.44		18.56	0.001159	2.96	600.04	295.31	0.25
1	13848	50-YR	ALT4(EX-Q)	1516.00	9.03	18.75		18.87	0.001101	3.01	697.40	334.57	0.24
1	13848	50-YR	ALT4(FU-Q)	1684.00	9.03	19.03		19.15	0.001042	3.05	796.91	365.91	0.24
1	13848	100-YR	ALT4(EX-Q)	1884.00	9.03	19.37		19.49	0.000958	3.05	938.11	457.64	0.23
1	13848	100-YR	ALT4(FU-Q)	2057.00	9.03	19.66		19.77	0.000895	3.05	1079.80	531.91	0.23
1	13253	2-YR	ALT4(EX-Q)	427.00	8.65	14.99		15.11	0.002000	2.73	158.46	79.23	0.28
1	13253	2-YR	ALT4(FU-Q)	522.00	8.65	15.48		15.61	0.001827	2.82	212.16	143.31	0.27
1	13253	10-YR	ALT4(EX-Q)	880.00	8.65	16.68		16.81	0.001501	3.12	486.84	305.77	0.26
1	13253	10-YR	ALT4(FU-Q)	1001.00	8.65	16.97		17.10	0.001448	3.20	579.79	329.11	0.25
1	13253	25-YR	ALT4(EX-Q)	1183.00	8.65	17.38		17.51	0.001363	3.27	722.59	359.54	0.25
1	13253	25-YR	ALT4(FU-Q)	1341.00	8.65	17.70		17.83	0.001305	3.33	839.86	375.53	0.25
1	13253	50-YR	ALT4(EX-Q)	1516.00	8.65	18.06		18.18	0.001225	3.36	975.84	392.99	0.24
1	13253	50-YR	ALT4(FU-Q)	1684.00	8.65	18.38		18.50	0.001169	3.40	1107.53	429.08	0.24
1	13253	100-YR	ALT4(EX-Q)	1884.00	8.65	18.77		18.89	0.001078	3.40	1285.91	467.75	0.23
1	13253	100-YR	ALT4(FU-Q)	2057.00	8.65	19.10		19.21	0.001008	3.39	1440.94	487.90	0.23
1	12411	2-YR	ALT4(EX-Q)	427.00	8.39	14.12		14.17	0.000685	1.72	266.20	138.40	0.17
1	12411	2-YR	ALT4(FU-Q)	522.00	8.39	14.66		14.71	0.000672	1.75	355.93	191.83	0.17
1	12411	10-YR	ALT4(EX-Q)	880.00	8.39	16.04		16.10	0.000520	1.92	687.21	281.04	0.15
1	12411	10-YR	ALT4(FU-Q)	1001.00	8.39	16.34		16.39	0.000532	2.02	771.59	298.89	0.16
1	12411	25-YR	ALT4(EX-Q)	1183.00	8.39	16.76		16.82	0.000533	2.14	902.97	316.35	0.16
1	12411	25-YR	ALT4(FU-Q)	1341.00	8.39	17.08		17.15	0.000538	2.23	1006.43	323.78	0.16
1	12411	50-YR	ALT4(EX-Q)	1516.00	8.39	17.46		17.52	0.000529	2.30	1129.43	332.39	0.16
1	12411	50-YR	ALT4(FU-Q)	1684.00	8.39	17.79		17.86	0.000523	2.37	1241.65	340.06	0.16
1	12411	100-YR	ALT4(EX-Q)	1884.00	8.39	18.22		18.29	0.000502	2.42	1389.23	350.69	0.16
1	12411	100-YR	ALT4(FU-Q)	2057.00	8.39	18.56		18.63	0.000489	2.46	1511.76	359.46	0.16
1	11694	2-YR	ALT4(EX-Q)	458.00	8.04	13.41		13.49	0.001319	2.28	200.58	54.87	0.21
1	11694	2-YR	ALT4(FU-Q)	556.00	8.04	13.95		14.04	0.001316	2.40	234.84	82.16	0.21
1	11694	10-YR	ALT4(EX-Q)	970.00	8.04	15.36		15.47	0.001552	2.74	440.80	191.14	0.23
1	11694	10-YR	ALT4(FU-Q)	1099.00	8.04	15.64		15.75	0.001557	2.86	494.88	199.84	0.24
1	11694	25-YR	ALT4(EX-Q)	1300.00	8.04	16.05		16.18	0.001537	3.01	581.30	213.01	0.24
1	11694	25-YR	ALT4(FU-Q)	1462.00	8.04	16.38		16.51	0.001511	3.12	651.05	221.76	0.24
1	11694	50-YR	ALT4(EX-Q)	1659.00	8.04	16.76		16.90	0.001468	3.22	739.00	241.54	0.24
1	11694	50-YR	ALT4(FU-Q)	1833.00	8.04	17.10		17.25	0.001416	3.29	827.56	271.81	0.24

HEC-RAS River: Parkers Creek Reach: 1 (Continued)

Reach	River Sta	Profile	Plan	Q Total (cfs)	Min Ch El (ft)	W.S. Elev (ft)	Crit W.S. (ft)	E.G. Elev (ft)	E.G. Slope (ft/ft)	Vel Chnl (ft/s)	Flow Area (sq ft)	Top Width (ft)	Froude # Chl
1	11694	100-YR	ALT4(EX-Q)	2064.00	8.04	17.56		17.71	0.001317	3.34	954.24	280.06	0.23
1	11694	100-YR	ALT4(FU-Q)	2246.00	8.04	17.94		18.08	0.001231	3.35	1059.95	286.81	0.23
1	10915	2-YR	ALT4(EX-Q)	458.00	7.04	12.42		12.49	0.001251	2.08	220.20	67.26	0.20
1	10915	2-YR	ALT4(FU-Q)	556.00	7.04	12.92		13.00	0.001351	2.17	256.80	80.46	0.21
1	10915	10-YR	ALT4(EX-Q)	970.00	7.04	14.24		14.32	0.001377	2.43	497.76	239.11	0.22
1	10915	10-YR	ALT4(FU-Q)	1099.00	7.04	14.54		14.63	0.001309	2.50	572.14	246.94	0.22
1	10915	25-YR	ALT4(EX-Q)	1300.00	7.04	15.03		15.12	0.001176	2.55	696.57	259.51	0.21
1	10915	25-YR	ALT4(FU-Q)	1462.00	7.04	15.41		15.50	0.001091	2.59	795.62	268.26	0.20
1	10915	50-YR	ALT4(EX-Q)	1659.00	7.04	15.85		15.94	0.001001	2.62	916.48	276.32	0.20
1	10915	50-YR	ALT4(FU-Q)	1833.00	7.04	16.26		16.35	0.000915	2.63	1030.47	282.60	0.19
1	10915	100-YR	ALT4(EX-Q)	2064.00	7.04	16.80		16.89	0.000814	2.63	1185.69	290.94	0.18
1	10915	100-YR	ALT4(FU-Q)	2246.00	7.04	17.24		17.32	0.000742	2.62	1314.03	297.66	0.18
1	10450	2-YR	ALT4(EX-Q)	458.00	6.45	11.80		11.89	0.001329	2.29	200.14	54.89	0.21
1	10450	2-YR	ALT4(FU-Q)	556.00	6.45	12.26		12.35	0.001408	2.46	227.00	100.89	0.22
1	10450	10-YR	ALT4(EX-Q)	970.00	6.45	13.57		13.67	0.001386	2.67	588.95	361.07	0.22
1	10450	10-YR	ALT4(FU-Q)	1099.00	6.45	13.94		14.03	0.001208	2.63	725.57	374.22	0.21
1	10450	25-YR	ALT4(EX-Q)	1300.00	6.45	14.53		14.61	0.000979	2.56	953.41	410.48	0.19
1	10450	25-YR	ALT4(FU-Q)	1462.00	6.45	14.96		15.03	0.000846	2.51	1133.80	423.34	0.18
1	10450	50-YR	ALT4(EX-Q)	1659.00	6.45	15.46		15.53	0.000727	2.45	1348.61	435.88	0.17
1	10450	50-YR	ALT4(FU-Q)	1833.00	6.45	15.92		15.98	0.000631	2.39	1548.57	443.50	0.16
1	10450	100-YR	ALT4(EX-Q)	2064.00	6.45	16.51		16.56	0.000535	2.33	1816.00	472.12	0.15
1	10450	100-YR	ALT4(FU-Q)	2246.00	6.45	16.98		17.03	0.000476	2.29	2058.66	604.25	0.14
1	10164	2-YR	ALT4(EX-Q)	458.00	6.00	11.45		11.52	0.001179	2.14	213.90	59.47	0.20
1	10164	2-YR	ALT4(FU-Q)	556.00	6.00	11.87		11.95	0.001375	2.29	258.44	181.22	0.21
1	10164	10-YR	ALT4(EX-Q)	970.00	6.00	13.40		13.43	0.000498	1.50	1048.48	689.21	0.13
1	10164	10-YR	ALT4(FU-Q)	1099.00	6.00	13.83		13.85	0.000342	1.33	1356.14	766.23	0.11
1	10164	25-YR	ALT4(EX-Q)	1300.00	6.00	14.47		14.48	0.000215	1.16	1904.31	952.49	0.09
1	10164	25-YR	ALT4(FU-Q)	1462.00	6.00	14.92		14.93	0.000167	1.08	2363.91	1067.68	0.08
1	10164	50-YR	ALT4(EX-Q)	1659.00	6.00	15.43		15.44	0.000132	1.02	2934.11	1150.00	0.07
1	10164	50-YR	ALT4(FU-Q)	1833.00	6.00	15.90		15.90	0.000102	0.94	3479.72	1179.07	0.07
1	10164	100-YR	ALT4(EX-Q)	2064.00	6.00	16.50		16.50	0.000077	0.87	4193.10	1198.38	0.06
1	10164	100-YR	ALT4(FU-Q)	2246.00	6.00	16.97		16.98	0.000064	0.82	4765.57	1219.78	0.05
1	10062	2-YR	ALT4(EX-Q)	458.00	5.92	11.33	8.19	11.40	0.001138	2.24	204.71	59.91	0.21
1	10062	2-YR	ALT4(FU-Q)	556.00	5.92	11.72	8.46	11.81	0.001285	2.42	229.28	65.16	0.23
1	10062	10-YR	ALT4(EX-Q)	970.00	5.92	13.18	9.40	13.32	0.001247	2.97	326.73	402.73	0.24
1	10062	10-YR	ALT4(FU-Q)	1099.00	5.92	13.60	9.65	13.75	0.001215	3.10	354.86	682.48	0.24
1	10062	25-YR	ALT4(EX-Q)	1300.00	5.92	14.22	10.01	14.39	0.001175	3.28	396.42	881.93	0.24

HEC-RAS River: Parkers Creek Reach: 1 (Continued)

Reach	River Sta	Profile	Plan	Q Total	Min Ch El	W.S. Elev	Crit W.S.	E.G. Elev	E.G. Slope	Vel Chnl	Flow Area	Top Width	Froude # Chl
				(cfs)	(ft)	(ft)	(ft)	(ft)	(ft/ft)	(ft/s)	(sq ft)	(ft)	
1	10062	25-YR	ALT4(FU-Q)	1462.00	5.92	14.66	10.28	14.84	0.001174	3.44	425.55	973.06	0.24
1	10062	50-YR	ALT4(EX-Q)	1659.00	5.92	15.15	10.58	15.35	0.001179	3.62	458.41	1108.33	0.24
1	10062	50-YR	ALT4(FU-Q)	1833.00	5.92	15.60	10.85	15.81	0.001164	3.75	488.58	1154.83	0.24
1	10062	100-YR	ALT4(EX-Q)	2064.00	5.92	16.18	11.21	16.41	0.001144	3.91	527.39	1218.65	0.25
1	10062	100-YR	ALT4(FU-Q)	2246.00	5.92	16.63	11.46	16.88	0.001122	4.02	558.07	1245.35	0.25
1	10006			Culvert									
1	9950	2-YR	ALT4(EX-Q)	458.00	4.46	11.24	6.77	11.28	0.000376	1.72	266.95	212.86	0.13
1	9950	2-YR	ALT4(FU-Q)	556.00	4.46	11.59	7.02	11.65	0.000447	1.95	284.83	267.16	0.15
1	9950	10-YR	ALT4(EX-Q)	970.00	4.46	12.82	7.93	12.94	0.000699	2.79	347.76	780.86	0.19
1	9950	10-YR	ALT4(FU-Q)	1099.00	4.46	13.16	8.17	13.30	0.000764	3.01	365.03	896.58	0.20
1	9950	25-YR	ALT4(EX-Q)	1300.00	4.46	13.65	8.52	13.82	0.000858	3.33	389.85	1021.40	0.21
1	9950	25-YR	ALT4(FU-Q)	1462.00	4.46	13.96	8.78	14.16	0.000949	3.60	405.91	1092.79	0.22
1	9950	50-YR	ALT4(EX-Q)	1659.00	4.46	14.29	9.09	14.53	0.001066	3.92	422.83	1141.25	0.24
1	9950	50-YR	ALT4(FU-Q)	1833.00	4.46	14.60	9.34	14.87	0.001153	4.18	438.53	1169.86	0.25
1	9950	100-YR	ALT4(EX-Q)	2064.00	4.46	14.98	9.67	15.30	0.001265	4.51	457.93	1212.32	0.27
1	9950	100-YR	ALT4(FU-Q)	2246.00	4.46	15.28	9.91	15.63	0.001343	4.75	473.15	1223.39	0.27
1	9751	2-YR	ALT4(EX-Q)	458.00	4.00	11.19		11.21	0.000247	1.15	803.82	793.21	0.10
1	9751	2-YR	ALT4(FU-Q)	556.00	4.00	11.55		11.57	0.000220	1.15	1120.03	926.19	0.10
1	9751	10-YR	ALT4(EX-Q)	970.00	4.00	12.83		12.84	0.000135	1.07	2528.81	1339.93	0.08
1	9751	10-YR	ALT4(FU-Q)	1099.00	4.00	13.18		13.19	0.000124	1.07	3010.42	1391.49	0.08
1	9751	25-YR	ALT4(EX-Q)	1300.00	4.00	13.68		13.69	0.000102	1.03	3743.94	1472.61	0.07
1	9751	25-YR	ALT4(FU-Q)	1462.00	4.00	14.02		14.02	0.000093	1.01	4235.08	1491.48	0.07
1	9751	50-YR	ALT4(EX-Q)	1659.00	4.00	14.37		14.37	0.000087	1.01	4770.09	1556.14	0.07
1	9751	50-YR	ALT4(FU-Q)	1833.00	4.00	14.69		14.70	0.000080	1.00	5285.46	1613.21	0.06
1	9751	100-YR	ALT4(EX-Q)	2064.00	4.00	15.10		15.10	0.000076	1.01	5973.16	1741.60	0.06
1	9751	100-YR	ALT4(FU-Q)	2246.00	4.00	15.42		15.42	0.000070	0.99	6532.72	1843.26	0.06
1	8660	2-YR	ALT4(EX-Q)	532.00	3.95	10.70		10.73	0.000841	1.64	450.89	206.69	0.14
1	8660	2-YR	ALT4(FU-Q)	646.00	3.95	11.08		11.12	0.000842	1.74	532.35	216.51	0.15
1	8660	10-YR	ALT4(EX-Q)	1169.00	3.95	12.45		12.51	0.000870	2.13	851.19	246.50	0.16
1	8660	10-YR	ALT4(FU-Q)	1343.00	3.95	12.81		12.87	0.000891	2.24	940.17	253.29	0.16
1	8660	25-YR	ALT4(EX-Q)	1620.00	3.95	13.34		13.41	0.000911	2.39	1078.19	263.40	0.16
1	8660	25-YR	ALT4(FU-Q)	1812.00	3.95	13.69		13.76	0.000924	2.49	1169.90	270.26	0.17
1	8660	50-YR	ALT4(EX-Q)	2045.00	3.95	14.04		14.12	0.000958	2.63	1267.26	277.36	0.17
1	8660	50-YR	ALT4(FU-Q)	2272.00	3.95	14.38		14.46	0.000985	2.74	1360.29	284.06	0.17
1	8660	100-YR	ALT4(EX-Q)	2556.00	3.95	14.78		14.87	0.001023	2.89	1477.40	298.66	0.18
1	8660	100-YR	ALT4(FU-Q)	2797.00	3.95	15.10		15.20	0.001044	3.00	1576.02	308.10	0.18

HEC-RAS River: Parkers Creek Reach: 1 (Continued)

Reach	River Sta	Profile	Plan	Q Total (cfs)	Min Ch El (ft)	W.S. Elev (ft)	Crit W.S. (ft)	E.G. Elev (ft)	E.G. Slope (ft/ft)	Vel Chnl (ft/s)	Flow Area (sq ft)	Top Width (ft)	Froude # Chl
1	7695	2-YR	ALT4(EX-Q)	532.00	3.60	9.86		9.90	0.000909	1.73	471.63	227.35	0.15
1	7695	2-YR	ALT4(FU-Q)	646.00	3.60	10.24		10.29	0.000920	1.85	560.37	237.63	0.15
1	7695	10-YR	ALT4(EX-Q)	1169.00	3.60	11.57		11.63	0.000991	2.28	1006.24	406.63	0.17
1	7695	10-YR	ALT4(FU-Q)	1343.00	3.60	11.92		11.98	0.000987	2.37	1158.50	455.39	0.17
1	7695	25-YR	ALT4(EX-Q)	1620.00	3.60	12.44		12.51	0.000994	2.51	1423.19	553.27	0.17
1	7695	25-YR	ALT4(FU-Q)	1812.00	3.60	12.78		12.85	0.000998	2.60	1622.51	608.39	0.17
1	7695	50-YR	ALT4(EX-Q)	2045.00	3.60	13.15		13.22	0.000955	2.63	1847.81	619.13	0.17
1	7695	50-YR	ALT4(FU-Q)	2272.00	3.60	13.49		13.56	0.000915	2.66	2063.39	629.02	0.17
1	7695	100-YR	ALT4(EX-Q)	2556.00	3.60	13.91		13.98	0.000868	2.68	2328.97	640.56	0.17
1	7695	100-YR	ALT4(FU-Q)	2797.00	3.60	14.25		14.32	0.000833	2.70	2548.94	649.58	0.16
1	6792	2-YR	ALT4(EX-Q)	532.00	3.50	9.02		9.07	0.000933	1.72	417.46	210.12	0.15
1	6792	2-YR	ALT4(FU-Q)	646.00	3.50	9.37		9.42	0.000983	1.87	495.40	235.87	0.16
1	6792	10-YR	ALT4(EX-Q)	1169.00	3.50	10.60		10.67	0.001120	2.37	846.64	321.31	0.18
1	6792	10-YR	ALT4(FU-Q)	1343.00	3.50	10.95		11.03	0.001124	2.47	960.76	331.98	0.18
1	6792	25-YR	ALT4(EX-Q)	1620.00	3.50	11.48		11.56	0.001118	2.61	1138.98	349.22	0.18
1	6792	25-YR	ALT4(FU-Q)	1812.00	3.50	11.81		11.90	0.001114	2.69	1258.62	360.58	0.18
1	6792	50-YR	ALT4(EX-Q)	2045.00	3.50	12.20		12.28	0.001111	2.79	1399.23	373.83	0.18
1	6792	50-YR	ALT4(FU-Q)	2272.00	3.50	12.56		12.65	0.001099	2.87	1538.01	386.48	0.19
1	6792	100-YR	ALT4(EX-Q)	2556.00	3.50	13.00		13.10	0.001087	2.97	1712.81	406.79	0.19
1	6792	100-YR	ALT4(FU-Q)	2797.00	3.50	13.36		13.46	0.001080	3.05	1861.46	426.48	0.19
1	6134	2-YR	ALT4(EX-Q)	532.00	3.50	7.98		8.07	0.002785	2.60	302.48	279.60	0.26
1	6134	2-YR	ALT4(FU-Q)	646.00	3.50	8.33		8.42	0.002562	2.67	403.93	292.93	0.25
1	6134	10-YR	ALT4(EX-Q)	1169.00	3.50	9.61		9.70	0.001959	2.87	797.38	319.84	0.23
1	6134	10-YR	ALT4(FU-Q)	1343.00	3.50	10.00		10.09	0.001801	2.90	922.97	324.94	0.22
1	6134	25-YR	ALT4(EX-Q)	1620.00	3.50	10.57		10.66	0.001629	2.95	1111.01	332.42	0.22
1	6134	25-YR	ALT4(FU-Q)	1812.00	3.50	10.93		11.02	0.001554	3.00	1231.43	337.13	0.21
1	6134	50-YR	ALT4(EX-Q)	2045.00	3.50	11.33		11.42	0.001496	3.07	1367.53	342.37	0.21
1	6134	50-YR	ALT4(FU-Q)	2272.00	3.50	11.72		11.81	0.001435	3.13	1501.09	347.44	0.21
1	6134	100-YR	ALT4(EX-Q)	2556.00	3.50	12.18		12.27	0.001371	3.19	1663.77	353.33	0.21
1	6134	100-YR	ALT4(FU-Q)	2797.00	3.50	12.56		12.65	0.001329	3.25	1796.23	358.04	0.21
1	5784	2-YR	ALT4(EX-Q)	522.00	3.08	7.48		7.52	0.000952	1.65	481.10	332.05	0.15
1	5784	2-YR	ALT4(FU-Q)	632.00	3.08	7.86		7.90	0.000885	1.70	611.65	345.56	0.15
1	5784	10-YR	ALT4(EX-Q)	1134.00	3.08	9.22		9.27	0.000756	1.91	1108.94	382.53	0.15
1	5784	10-YR	ALT4(FU-Q)	1309.00	3.08	9.63		9.68	0.000723	1.97	1267.10	389.51	0.14
1	5784	25-YR	ALT4(EX-Q)	1589.00	3.08	10.23		10.27	0.000690	2.05	1501.80	399.65	0.14
1	5784	25-YR	ALT4(FU-Q)	1782.00	3.08	10.60		10.64	0.000678	2.11	1650.39	405.94	0.14
1	5784	50-YR	ALT4(EX-Q)	2016.00	3.08	11.00		11.05	0.000673	2.19	1816.84	412.78	0.14
1	5784	50-YR	ALT4(FU-Q)	2242.00	3.08	11.40		11.45	0.000659	2.24	1981.68	418.21	0.14

HEC-RAS River: Parkers Creek Reach: 1 (Continued)

Reach	River Sta	Profile	Plan	Q Total (cfs)	Min Ch El (ft)	W.S. Elev (ft)	Crit W.S. (ft)	E.G. Elev (ft)	E.G. Slope (ft/ft)	Vel Chnl (ft/s)	Flow Area (sq ft)	Top Width (ft)	Froude # Chl
1	5784	100-YR	ALT4(EX-Q)	2525.00	3.08	11.88		11.93	0.000643	2.31	2181.69	424.78	0.14
1	5784	100-YR	ALT4(FU-Q)	2764.00	3.08	12.25		12.31	0.000634	2.36	2343.76	430.30	0.14
1	5727	2-YR	ALT4(EX-Q)	522.00	3.08	7.37	4.71	7.44	0.001590	2.15	245.47	109.98	0.20
1	5727	2-YR	ALT4(FU-Q)	632.00	3.08	7.73	4.90	7.82	0.001686	2.36	271.97	120.96	0.21
1	5727	10-YR	ALT4(EX-Q)	1134.00	3.08	9.01	5.68	9.16	0.002144	3.19	363.62	168.15	0.24
1	5727	10-YR	ALT4(FU-Q)	1309.00	3.08	9.39	5.92	9.57	0.002261	3.44	390.94	213.71	0.25
1	5727	25-YR	ALT4(EX-Q)	1589.00	3.08	9.93	6.27	10.15	0.002444	3.80	430.21	229.36	0.27
1	5727	25-YR	ALT4(FU-Q)	1782.00	3.08	10.26	6.50	10.51	0.002578	4.04	454.19	238.35	0.28
1	5727	50-YR	ALT4(EX-Q)	2016.00	3.08	10.62	6.77	10.91	0.002753	4.33	480.15	248.07	0.29
1	5727	50-YR	ALT4(FU-Q)	2242.00	3.08	10.98	7.00	11.30	0.002876	4.57	505.74	296.58	0.30
1	5727	100-YR	ALT4(EX-Q)	2525.00	3.08	11.40	7.29	11.77	0.003014	4.86	536.20	315.96	0.31
1	5727	100-YR	ALT4(FU-Q)	2764.00	3.08	11.74	7.50	12.14	0.003128	5.09	560.32	323.65	0.32
1	5692			Culvert									
1	5652	2-YR	ALT4(EX-Q)	522.00	2.11	7.30	4.48	7.40	0.002275	2.51	208.11	65.09	0.23
1	5652	2-YR	ALT4(FU-Q)	632.00	2.11	7.65	4.75	7.77	0.002435	2.76	229.84	79.05	0.25
1	5652	10-YR	ALT4(EX-Q)	1134.00	2.11	8.84	5.77	9.06	0.003231	3.80	303.21	118.47	0.30
1	5652	10-YR	ALT4(FU-Q)	1309.00	2.11	9.18	6.06	9.44	0.003461	4.10	324.40	128.29	0.31
1	5652	25-YR	ALT4(EX-Q)	1589.00	2.11	9.65	6.49	9.98	0.003852	4.58	353.77	147.41	0.33
1	5652	25-YR	ALT4(FU-Q)	1782.00	2.11	9.93	6.76	10.30	0.004143	4.90	371.22	158.95	0.35
1	5652	50-YR	ALT4(EX-Q)	2016.00	2.11	10.22	7.06	10.65	0.004561	5.29	388.82	169.99	0.37
1	5652	50-YR	ALT4(FU-Q)	2242.00	2.11	10.50	7.32	10.99	0.004898	5.64	406.06	180.72	0.38
1	5652	100-YR	ALT4(EX-Q)	2525.00	2.11	10.80	7.62	11.37	0.005355	6.07	425.00	207.26	0.40
1	5652	100-YR	ALT4(FU-Q)	2764.00	2.11	11.04	7.87	11.68	0.005742	6.43	439.71	214.19	0.42
1	5589	2-YR	ALT4(EX-Q)	522.00	2.11	7.26		7.29	0.000756	1.58	369.26	166.56	0.14
1	5589	2-YR	ALT4(FU-Q)	632.00	2.11	7.61		7.65	0.000807	1.73	429.50	174.42	0.15
1	5589	10-YR	ALT4(EX-Q)	1134.00	2.11	8.81		8.88	0.001003	2.26	654.72	239.99	0.17
1	5589	10-YR	ALT4(FU-Q)	1309.00	2.11	9.16		9.24	0.001041	2.40	748.04	285.62	0.17
1	5589	25-YR	ALT4(EX-Q)	1589.00	2.11	9.65		9.74	0.001095	2.60	902.35	346.83	0.18
1	5589	25-YR	ALT4(FU-Q)	1782.00	2.11	9.95		10.04	0.001134	2.72	1012.83	400.17	0.18
1	5589	50-YR	ALT4(EX-Q)	2016.00	2.11	10.25		10.35	0.001188	2.87	1137.06	420.73	0.19
1	5589	50-YR	ALT4(FU-Q)	2242.00	2.11	10.55		10.66	0.001212	2.98	1266.20	441.88	0.19
1	5589	100-YR	ALT4(EX-Q)	2525.00	2.11	10.88		11.00	0.001250	3.12	1417.82	466.42	0.20
1	5589	100-YR	ALT4(FU-Q)	2764.00	2.11	11.15		11.27	0.001278	3.23	1543.30	488.11	0.20
1	5229	2-YR	ALT4(EX-Q)	545.00	1.61	6.88		6.94	0.001284	2.05	388.31	220.05	0.18
1	5229	2-YR	ALT4(FU-Q)	661.00	1.61	7.22		7.28	0.001326	2.19	463.94	230.96	0.19
1	5229	10-YR	ALT4(EX-Q)	1191.00	1.61	8.35		8.44	0.001524	2.75	739.50	255.39	0.21

HEC-RAS River: Parkers Creek Reach: 1 (Continued)

Reach	River Sta	Profile	Plan	Q Total (cfs)	Min Ch El (ft)	W.S. Elev (ft)	Crit W.S. (ft)	E.G. Elev (ft)	E.G. Slope (ft/ft)	Vel Chnl (ft/s)	Flow Area (sq ft)	Top Width (ft)	Froude # Chl
1	5229	10-YR	ALT4(FU-Q)	1376.00	1.61	8.68		8.78	0.001552	2.88	833.24	293.05	0.21
1	5229	25-YR	ALT4(EX-Q)	1682.00	1.61	9.15		9.26	0.001632	3.11	977.19	324.31	0.22
1	5229	25-YR	ALT4(FU-Q)	1897.00	1.61	9.42		9.54	0.001708	3.28	1067.98	340.43	0.23
1	5229	50-YR	ALT4(EX-Q)	2151.00	1.61	9.69		9.82	0.001827	3.48	1160.98	355.60	0.24
1	5229	50-YR	ALT4(FU-Q)	2401.00	1.61	9.97		10.11	0.001889	3.64	1262.87	370.35	0.24
1	5229	100-YR	ALT4(EX-Q)	2713.00	1.61	10.28		10.43	0.001985	3.83	1378.43	385.80	0.25
1	5229	100-YR	ALT4(FU-Q)	2973.00	1.61	10.52		10.68	0.002053	3.98	1473.21	398.03	0.25
1	2851	2-YR	ALT4(EX-Q)	545.00	0.40	4.39		4.41	0.000890	1.29	637.41	514.42	0.14
1	2851	2-YR	ALT4(FU-Q)	661.00	0.40	4.60		4.63	0.000946	1.40	760.81	631.79	0.15
1	2851	10-YR	ALT4(EX-Q)	1191.00	0.40	5.35		5.38	0.001091	1.73	1444.73	1092.40	0.16
1	2851	10-YR	ALT4(FU-Q)	1376.00	0.40	5.56		5.60	0.001161	1.74	1688.73	1158.46	0.17
1	2851	25-YR	ALT4(EX-Q)	1682.00	0.40	5.84		5.87	0.001247	1.79	2016.07	1241.29	0.17
1	2851	25-YR	ALT4(FU-Q)	1897.00	0.40	5.99		6.02	0.001284	1.86	2210.27	1296.97	0.18
1	2851	50-YR	ALT4(EX-Q)	2151.00	0.40	6.18		6.22	0.001269	1.92	2463.13	1342.06	0.18
1	2851	50-YR	ALT4(FU-Q)	2401.00	0.40	6.33		6.37	0.001323	2.01	2663.49	1387.68	0.18
1	2851	100-YR	ALT4(EX-Q)	2713.00	0.40	6.50		6.54	0.001360	2.10	2902.90	1406.49	0.19
1	2851	100-YR	ALT4(FU-Q)	2973.00	0.40	6.63		6.67	0.001397	2.18	3086.10	1420.79	0.19
1	327	2-YR	ALT4(EX-Q)	545.00	-2.00	2.76	0.50	2.76	0.000500	1.11	1819.21	1823.78	0.11
1	327	2-YR	ALT4(FU-Q)	661.00	-2.00	2.92	0.79	2.93	0.000500	1.13	2130.98	1902.78	0.11
1	327	10-YR	ALT4(EX-Q)	1191.00	-2.00	3.58	2.13	3.59	0.000501	1.02	3671.28	3016.59	0.11
1	327	10-YR	ALT4(FU-Q)	1376.00	-2.00	3.75	2.18	3.75	0.000500	1.03	4206.39	3363.21	0.11
1	327	25-YR	ALT4(EX-Q)	1682.00	-2.00	3.97	2.31	3.97	0.000500	1.04	4976.98	3698.37	0.11
1	327	25-YR	ALT4(FU-Q)	1897.00	-2.00	4.10	2.33	4.11	0.000500	1.04	5501.27	4015.77	0.11
1	327	50-YR	ALT4(EX-Q)	2151.00	-2.00	4.31	2.39	4.31	0.000501	1.05	6340.59	4296.35	0.11
1	327	50-YR	ALT4(FU-Q)	2401.00	-2.00	4.43	2.50	4.43	0.000500	1.06	6874.33	4377.01	0.11
1	327	100-YR	ALT4(EX-Q)	2713.00	-2.00	4.58	2.51	4.58	0.000501	1.02	7529.52	4506.72	0.11
1	327	100-YR	ALT4(FU-Q)	2973.00	-2.00	4.70	2.57	4.70	0.000501	0.98	8074.37	4637.02	0.11

SECONDARY SYSTEM

EXISTING

CONDITIONS:

SWMM INPUT

Project: PC/JMR Watershed Master Plan
 Location: Countryside/Oak Grove System (Existing)
 Prepared by: YB
 Checked by:
 Date: December 2015

SWMM Sub-Basin ID	Area (acres)	Area (sq. ft)	Width (ft.)	Flow Length (ft)	Curve Number	Basin Slope (%)
PC_1323	17	759464	153.331	4953.103	60.96	0.5
PC_1324	21	904197	182.55	4953.145	74.08	0.5
PC_1325	31	1346997	271.949	4953.124	72.32	0.5
PC_1326	66	2876045	1100	2614.586	74.27	0.5
PC_1327	14	596358	120.399	4953.182	68.54	0.5
SubCatch_FLEMING_SCHOOL_RD	27.2257	1185951	239.435	4953.125	72	0.5
SubCatch_FLEMING_SCHOOL_RD_1	29.1996	1271935	256.794	4953.132	71	0.5
SubCatch_FLEMING_SCHOOL_RD_2	3.6676	159761	32.254	4953.204	83	0.5
SubCatch_STATON_HOUSE_RD	31.5803	1375638	277.732	4953.113	82	0.5

Project: PC/JMR Watershed Master Plan
Location: Haw Drive/ Airport System (Existing)
Prepared by: YB
Checked by:
Date: December 2015

SWMM Sub-Basin ID	Area (acres)	Area (sq. ft)	Width (ft.)	Flow Length (ft)	Curve Number	Basin Slope (%)
SubCatch_E_CATAWBA_RD	18	793262	160.154	4953.123	69	0.5
SubCatch_HAW_1	3	125710	25.38	4953.105	86	0.5
SubCatch_HAW_2	18	765349	550	1391.544	86	0.5
SubCatch_HOP_TYSON_RD	17	757861	153.007	4953.115	76	0.5
SubCatch_TRENT_CI	10	441407	89.117	4953.113	74	0.5

Project: PC/JMR Watershed Master Plan
 Location: Greenfield Terrace System (Existing)
 Prepared by: YB
 Checked by:
 Date: December 2015

SWMM Sub-Basin ID	Area (acres)	Area (sq. ft)	Width (ft.)	Flow Length (ft)	Curve Number	Basin Slope (%)
SubCatch_BELVOIR_HW	36	1586098	320.222	4953.12	88	0.5
SubCatch_GREENFIELD_BV	29	1283779	259.186	4953.117	79	0.5
SubCatch_GREENFIELD_BV_1	8	360520	72.787	4953.082	87	0.5
SubCatch_GREENFIELD_BV_2	9	373675	75.442	4953.144	84	0.5
SubCatch_N_MEMORIAL_DR	18	771029	155.665	4953.133	86	0.5
SubCatch_TRENT_CI_1	28	1229019	248.129	4953.146	81	0.5
SubCatch_WOODSIDE_RD	22	950470	191.892	4953.153	71	0.5
SubCatch_WOODSIDE_RD_1	11	494140	99.764	4953.092	85	0.5

**SECONDARY SYSTEM
EXISTING
CONDITIONS:
SWMM OUTPUT**

Existing Conditions (10-Year)

EPA STORM WATER MANAGEMENT MODEL - VERSION 5.1 (Build 5.1.007)

 NOTE: The summary statistics displayed in this report are based on results found at every computational time step, not just on results from each reporting time step.

Analysis Options

Flow Units CFS
 Process Models:
 Rainfall/Runoff YES
 RDII NO
 Snowmelt NO
 Groundwater NO
 Flow Routing YES
 Ponding Allowed NO
 Water Quality NO
 Infiltration Method CURVE_NUMBER
 Flow Routing Method DYNWAVE
 Starting Date APR-17-2015 00:00:00
 Ending Date APR-17-2015 23:45:00
 Antecedent Dry Days 0.0
 Report Time Step 00:05:00
 Wet Time Step 00:01:00
 Dry Time Step 01:00:00
 Routing Time Step 5.00 sec
 Variable Time Step YES
 Maximum Trials 8
 Head Tolerance 0.005000 ft

Element Count

Number of rain gages 1
 Number of subcatchments ... 115
 Number of nodes 390
 Number of links 541
 Number of pollutants 0
 Number of land uses 0

Raingage Summary

Name	Data Source	Data Type	Recording Interval
SCS_Rain	SCSStorms	VOLUME	15 min.

Subcatchment Summary

Name	Area	Width	%Imperv	%Slope	Rain Gage
Outlet					

Existing Conditions (10-Year)

PC 1321	42.52	373.98	13.09	0.5000	SCS_Rain
PCTB02235-S					
PC 1323	17.43	153.33	10.21	0.5000	SCS_Rain
PCTB02257_1-S					
PC 1324	20.76	182.55	0.00	0.5000	SCS_Rain
CountrySideE_Ditch_Culvert_In-S					
PC 1325	30.92	271.95	0.00	0.5000	SCS_Rain
CountrySideE_Ditch_Culvert_In-S					
PC 1326	66.02	1100.00	0.00	0.5000	SCS_Rain
JMTB01006-S					
PC 1327	13.69	120.40	2.96	0.5000	SCS_Rain
JMTB01006-S					
PC 1350	58.26	512.33	8.60	0.5000	SCS_Rain
PCTB02004-S					
PC 1360	38.27	336.59	8.31	0.5000	SCS_Rain
PCTB02005					
PC 571	162.61	2150.00	1.31	0.5000	SCS_Rain
PCTB02009					
SubCatch_ASH_ST	1.28	221.00	50.19	2.0000	SCS_Rain
TRMB02051-S					
SubCatch_AVERY_ST	0.44	37.00	17.67	2.0000	SCS_Rain
TRMB03068-S					
SubCatch_BELVOIR_HW	36.41	320.22	45.57	0.5000	SCS_Rain
PCTB02189-S					
SubCatch_BELVOIR_HW_1	26.16	230.08	1.40	0.5000	SCS_Rain
PCTB02012-S					
SubCatch_CHESTNUT_ST	19.25	2310.00	48.83	2.0000	SCS_Rain
TRMB04089-S					
SubCatch_COLONIAL_AV	0.39	47.00	44.12	2.0000	SCS_Rain
TRMB05009_DS-S					
SubCatch_COLONIAL_AV_1	0.35	35.00	50.58	2.0000	SCS_Rain
TRMB05044-S					
SubCatch_CONTENTNEA_ST	0.03	4.00	92.18	2.0000	SCS_Rain
TRMB05028-S					
SubCatch_CONTENTNEA_ST_1	1.89	227.00	41.36	2.0000	SCS_Rain
TRMB05033-S					
SubCatch_CONTENTNEA_ST_2	1.99	289.00	0.00	2.0000	SCS_Rain
TRMB05034-S					
SubCatch_CONTENTNEA_ST_3	0.78	94.00	40.22	2.0000	SCS_Rain
TRMB05012-S					
SubCatch_CONTENTNEA_ST_4	1.54	185.00	45.59	2.0000	SCS_Rain
TRMB05042-S					
SubCatch_CONTENTNEA_ST_5	1.51	181.00	30.71	2.0000	SCS_Rain
TRMB05010-S					
SubCatch_CONTENTNEA_ST_6	0.27	32.00	28.46	2.0000	SCS_Rain
TRMB05030-S					
SubCatch_DAVIS_ST	0.63	63.00	54.99	2.0000	SCS_Rain
TRMB05038-S					
SubCatch_DAVIS_ST_1	0.85	85.00	41.38	2.0000	SCS_Rain
TRMB05039-S					
SubCatch_DAVIS_ST_2	2.15	214.00	39.18	2.0000	SCS_Rain
TRMB05047					
SubCatch_DAVIS_ST_3	1.24	124.00	40.49	2.0000	SCS_Rain
TRMB05041-S					
SubCatch_DAVIS_ST_4	1.64	164.00	41.51	2.0000	SCS_Rain
TRMB05040-S					
SubCatch_E_1ST_ST	5.28	440.00	28.98	2.0000	SCS_Rain
TRMB03087-S					
SubCatch_E_1ST_ST_1	0.55	95.00	42.81	2.0000	SCS_Rain
TRMB02022-S					

Existing Conditions (10-Year)

SubCatch_E_1ST_ST_2 TRMB03073-S	2.53	211.00	37.57	2.0000	SCS_Rain
SubCatch_E_2ND_ST TRMB03097-S	4.61	384.00	63.85	2.0000	SCS_Rain
SubCatch_E_2ND_ST_1 TRMB03094-S	0.03	3.00	77.16	2.0000	SCS_Rain
SubCatch_E_2ND_ST_2 TRMB03095-S	0.01	1.00	1.19	2.0000	SCS_Rain
SubCatch_E_2ND_ST_3 TRMB03101-S	0.09	8.00	3.17	2.0000	SCS_Rain
SubCatch_E_2ND_ST_4 TRMB03102-S	0.73	61.00	20.01	2.0000	SCS_Rain
SubCatch_E_3RD_ST TRMB02035-S	1.30	225.00	43.65	2.0000	SCS_Rain
SubCatch_E_3RD_ST_1 TRMB03111-S	6.69	558.00	55.01	2.0000	SCS_Rain
SubCatch_E_3RD_ST_2 TRMB02049-S	1.92	332.00	35.41	2.0000	SCS_Rain
SubCatch_E_3RD_ST_3 TRMB02047-S	1.77	306.00	39.28	2.0000	SCS_Rain
SubCatch_E_4TH_ST TRMB02070-S	0.94	162.00	34.68	2.0000	SCS_Rain
SubCatch_E_4TH_ST_1 TRMB02060-S	3.06	529.00	53.26	2.0000	SCS_Rain
SubCatch_E_4TH_ST_2 TRMB02060-S	0.85	147.00	23.57	2.0000	SCS_Rain
SubCatch_E_CATAWBA_RD PCTB02331-S	18.21	160.15	24.62	0.5000	SCS_Rain
SubCatch_FAIRFAX_AV TRMB05008-S	1.08	130.00	37.23	2.0000	SCS_Rain
SubCatch_FLEMING_SCHOOL_RD JMTB01102-S	27.23	239.44	14.41	0.5000	SCS_Rain
SubCatch_FLEMING_SCHOOL_RD_1 JMTB01105-S	29.20	256.79	0.58	0.5000	SCS_Rain
SubCatch_FLEMING_SCHOOL_RD_2 JMTB01104-S	3.67	32.25	10.32	0.5000	SCS_Rain
SubCatch_GREENFIELD_BV PCTB02303-S	29.47	259.19	9.71	0.5000	SCS_Rain
SubCatch_GREENFIELD_BV_1 PCTB02282-S	8.28	72.79	39.47	0.5000	SCS_Rain
SubCatch_GREENFIELD_BV_2 PCTB02292-S	8.58	75.44	0.00	0.5000	SCS_Rain
SubCatch_HAW_1 PCTB02001-S	2.89	25.38	4.16	0.5000	SCS_Rain
SubCatch_HAW_2 PCTB01068_US-S	17.57	550.00	3.44	0.5000	SCS_Rain
SubCatch_HOP_TYSON_RD PCTB02022-S	17.40	153.01	21.97	0.5000	SCS_Rain
SubCatch_JOHNSON_HEIGHTS TRMB02016-S	2.75	475.00	51.81	2.0000	SCS_Rain
SubCatch_LATHAM_ST TRMB05031-S	2.61	313.00	35.50	2.0000	SCS_Rain
SubCatch_N_ELM_ST TRMB02023-S	2.91	503.00	36.98	2.0000	SCS_Rain
SubCatch_N_ELM_ST_1 TRMB02002-S	2.36	408.00	17.68	2.0000	SCS_Rain
SubCatch_N_ELM_ST_2 TRMB02009-S	7.64	1321.00	46.59	2.0000	SCS_Rain
SubCatch_N_HARDING_ST TRMB03031-S	2.29	427.00	26.13	2.0000	SCS_Rain
SubCatch_N_HARDING_ST_1 TRMB03025-S	1.53	285.00	41.63	2.0000	SCS_Rain

Existing Conditions (10-Year)

SubCatch_N_HARDING_ST_2 TRMB03044-S	2.98	555.00	36.35	2.0000	SCS_Rain
SubCatch_N_JARVIS_ST TRMB03132-S	3.10	258.00	43.62	2.0000	SCS_Rain
SubCatch_N_LIBRARY_ST TRMB03055-S	2.70	503.00	40.77	2.0000	SCS_Rain
SubCatch_N_MEMORIAL_DR PCTB02294-S	17.70	155.66	9.73	0.5000	SCS_Rain
SubCatch_N_OAK_ST TRMB02044_DS-S	8.35	1046.00	49.49	2.0000	SCS_Rain
SubCatch_N_OAK_ST_1 TRMB02022-S	0.69	119.00	51.65	2.0000	SCS_Rain
SubCatch_N_OAK_ST_2 TRMB02018-S	3.01	520.00	43.48	2.0000	SCS_Rain
SubCatch_N_SUMMIT_ST TRMB03067-S	0.25	21.00	19.14	2.0000	SCS_Rain
SubCatch_N_SUMMIT_ST_1 TRMB03068-S	4.73	394.00	41.66	2.0000	SCS_Rain
SubCatch_PARK_DR TRMB03032-S	1.43	266.00	15.62	2.0000	SCS_Rain
SubCatch_RIVER_DR TRMB03016	4.38	816.00	29.82	2.0000	SCS_Rain
SubCatch_S_ELM_ST TRMB02035-S	6.41	1108.00	41.57	2.0000	SCS_Rain
SubCatch_S_ELM_ST_1 TRMB02068-S	2.60	449.00	42.97	2.0000	SCS_Rain
SubCatch_S_HARDING_ST TRMB03042-S	4.55	848.00	36.94	2.0000	SCS_Rain
SubCatch_S_LIBRARY_ST TRMB03063-S	4.77	889.00	36.14	2.0000	SCS_Rain
SubCatch_S_OAK_ST TRMB02067-S	1.83	316.00	37.25	2.0000	SCS_Rain
SubCatch_S_OAK_ST_1 TRMB02060-S	1.21	209.00	39.18	2.0000	SCS_Rain
SubCatch_S_ROTARY_AV TRMB03103-S	4.53	378.00	53.50	2.0000	SCS_Rain
SubCatch_S_ROTARY_AV_1 TRMB03037-S	4.43	825.00	43.91	2.0000	SCS_Rain
SubCatch_S_ROTARY_AV_2 TRMB03092-S	1.84	153.00	36.90	2.0000	SCS_Rain
SubCatch_S_ROTARY_AV_3 TRMB03091-S	0.78	65.00	38.29	2.0000	SCS_Rain
SubCatch_S_ROTARY_AV_5 TRMB03091-S	0.64	53.00	16.23	2.0000	SCS_Rain
SubCatch_S_WOODLAWN_AV TRMB03092-S	0.93	78.00	39.14	2.0000	SCS_Rain
SubCatch_SPRUCE_ST TRMB04089-S	49.16	1680.00	0.00	2.0000	SCS_Rain
SubCatch_STATON_HOUSE_RD JMTB01003-S	31.58	277.73	20.02	0.5000	SCS_Rain
SubCatch_STUDENT_ST TRMB03111-S	5.72	477.00	52.36	2.0000	SCS_Rain
SubCatch_TRENT_CI PCTB02001-S	10.13	89.12	11.29	0.5000	SCS_Rain
SubCatch_TRENT_CI_1 PCTB02304-S	28.21	248.13	18.68	0.5000	SCS_Rain
SubCatch_VANCE_2 TRMB04089-S	2.88	346.00	37.50	2.0000	SCS_Rain
SubCatch_VANCE_ST_1 TRMB05020-S	0.03	4.00	77.00	2.0000	SCS_Rain
SubCatch_VANCE_ST_2 TRMB05025-S	0.32	38.00	32.06	2.0000	SCS_Rain

Existing Conditions (10-Year)

SubCatch_VANCE_ST_3 TRMB05017_US-S	1.15	138.00	49.80	2.0000	SCS_Rain
SubCatch_VANCE_ST_4 TRMB05014-S	1.19	143.00	38.75	2.0000	SCS_Rain
SubCatch_VANCE_ST_5 TRMB05005-S	1.19	143.00	34.77	2.0000	SCS_Rain
SubCatch_VANCE_ST_6 TRMB05027-S	0.23	28.00	51.78	2.0000	SCS_Rain
SubCatch_VANCE_ST_7 TRMB05004-S	0.28	34.00	29.92	2.0000	SCS_Rain
SubCatch_W_3RD_ST TRMB05015-S	0.01	1.00	86.79	2.0000	SCS_Rain
SubCatch_W_3RD_ST_1 TRMB05035-S	0.02	2.00	84.81	2.0000	SCS_Rain
SubCatch_W_3RD_ST_2 TRMB05036-S	0.29	29.00	54.15	2.0000	SCS_Rain
SubCatch_W_3RD_ST_3 TRMB05037-S	1.04	104.00	42.19	2.0000	SCS_Rain
SubCatch_W_3RD_ST_5 TRMB05029-S	0.75	90.00	32.88	2.0000	SCS_Rain
SubCatch_W_3RD_ST_6 TRMB05013-S	0.42	50.00	58.84	2.0000	SCS_Rain
SubCatch_W_3RD_ST_7 TRMB05023-S	0.17	20.00	54.76	2.0000	SCS_Rain
SubCatch_W_3RD_ST_8 TRMB05022-S	0.48	58.00	39.10	2.0000	SCS_Rain
SubCatch_W_3RD_ST_9 TRMB05045-S	1.40	340.00	0.00	2.0000	SCS_Rain
SubCatch_W_4TH_ST TRMB04265-S	0.80	96.00	35.46	2.0000	SCS_Rain
SubCatch_W_4TH_ST_2 TRMB05032-S	0.68	82.00	50.66	2.0000	SCS_Rain
SubCatch_W_5th_ST TRMB04089-S	8.56	1027.00	55.61	2.0000	SCS_Rain
SubCatch_WILLOW_ST TRMB03016	2.14	399.00	12.38	2.0000	SCS_Rain
SubCatch_WILLOW_ST_1 TRMB03027	0.42	78.00	44.87	2.0000	SCS_Rain
SubCatch_WILSONACRES_APT TRMB02044_DS-S	6.11	1056.00	50.07	2.0000	SCS_Rain
SubCatch_WOODSIDE_RD PCTB02292-S	21.82	191.89	17.45	0.5000	SCS_Rain
SubCatch_WOODSIDE_RD_1 PCTB02297-S	11.34	99.76	12.60	0.5000	SCS_Rain
SubInsert PCTB02189-S	16.40	144.20	51.53	0.5000	SCS_Rain

Node Summary

Name	Type	Invert Elev.	Max. Depth	Ponded Area	External Inflow
CountrySideE_Ditch_Culvert_In	JUNCTION		21.65	5.85	0.0
CountrySideE_Ditch_Culvert_In-S	JUNCTION		27.50	0.75	0.0
JMTB01003	JUNCTION	25.02	2.50	0.0	
JMTB01003-S	JUNCTION	27.02	0.75	0.0	
JMTB01004	JUNCTION	25.07	2.52	0.0	
JMTB01004-S	JUNCTION	27.59	0.75	0.0	
JMTB01005	JUNCTION	25.28	2.01	0.0	
JMTB01005-S	JUNCTION	27.29	0.75	0.0	

Existing Conditions (10-Year)

JMTB01006	JUNCTION	24.59	2.00	0.0
JMTB01006-S	JUNCTION	26.54	0.75	0.0
JMTB01102	JUNCTION	26.59	2.47	0.0
JMTB01102-S	JUNCTION	29.06	0.75	0.0
JMTB01103	JUNCTION	26.42	3.15	0.0
JMTB01103-S	JUNCTION	29.57	0.75	0.0
JMTB01104	JUNCTION	26.63	3.11	0.0
JMTB01104-S	JUNCTION	29.74	0.75	0.0
JMTB01105	JUNCTION	26.03	2.50	0.0
JMTB01105-S	JUNCTION	27.81	0.75	0.0
PCTB01068	JUNCTION	19.35	6.01	0.0
PCTB01068_US	JUNCTION	20.00	5.30	0.0
PCTB01068_US-S	JUNCTION	25.30	0.75	0.0
PCTB01068-S	JUNCTION	25.36	0.75	0.0
PCTB02001	JUNCTION	21.78	2.10	0.0
PCTB02001-S	JUNCTION	23.38	0.75	0.0
PCTB02002	JUNCTION	21.99	2.26	0.0
PCTB02002-S	JUNCTION	24.25	0.75	0.0
PCTB02003	JUNCTION	23.98	2.25	0.0
PCTB02003-S	JUNCTION	26.23	0.75	0.0
PCTB02004	JUNCTION	24.16	4.00	0.0
PCTB02004-S	JUNCTION	26.41	0.75	0.0
PCTB02005	JUNCTION	24.40	4.00	0.0
PCTB02008	JUNCTION	21.64	4.00	0.0
PCTB02011	JUNCTION	21.86	4.90	0.0
PCTB02011-S	JUNCTION	26.76	0.75	0.0
PCTB02012	JUNCTION	21.62	4.44	0.0
PCTB02012-S	JUNCTION	26.06	0.75	0.0
PCTB02014	JUNCTION	20.70	3.50	0.0
PCTB02014-S	JUNCTION	23.23	0.75	0.0
PCTB02015	JUNCTION	20.97	3.00	0.0
PCTB02015-S	JUNCTION	23.64	0.75	0.0
PCTB02016	JUNCTION	24.23	1.65	0.0
PCTB02016-S	JUNCTION	25.88	0.75	0.0
PCTB02017	JUNCTION	23.99	1.90	0.0
PCTB02017-S	JUNCTION	25.89	0.75	0.0
PCTB02022	JUNCTION	22.32	2.44	0.0
PCTB02022-S	JUNCTION	24.76	0.75	0.0
PCTB02023	JUNCTION	22.35	2.37	0.0
PCTB02023-S	JUNCTION	24.72	0.75	0.0
PCTB02075	JUNCTION	17.22	7.05	0.0
PCTB02076	JUNCTION	17.71	7.00	0.0
PCTB02080	JUNCTION	16.83	7.65	0.0
PCTB02159	JUNCTION	18.00	7.00	0.0
PCTB02160	JUNCTION	17.99	9.00	0.0
PCTB02189	JUNCTION	19.57	4.19	0.0
PCTB02189-S	JUNCTION	23.76	0.75	0.0
PCTB02191	JUNCTION	18.41	4.59	0.0
PCTB02191_DS	JUNCTION	17.20	10.00	0.0
PCTB02191_DS-S	JUNCTION	22.20	0.75	0.0
PCTB02191-S	JUNCTION	23.00	0.75	0.0
PCTB02207	JUNCTION	20.62	4.00	0.0
PCTB02207-S	JUNCTION	24.62	0.75	0.0
PCTB02209	JUNCTION	21.08	4.00	0.0
PCTB02209-S	JUNCTION	25.08	0.75	0.0
PCTB02220	JUNCTION	18.55	9.00	0.0
PCTB02229	JUNCTION	18.88	9.00	0.0
PCTB02229-S	JUNCTION	24.52	0.75	0.0
PCTB02231	JUNCTION	19.10	5.70	0.0
PCTB02231-S	JUNCTION	24.80	0.75	0.0
PCTB02233	JUNCTION	25.41	27.21	0.0
PCTB02235	JUNCTION	19.85	5.55	0.0

Existing Conditions (10-Year)

PCTB02235-S	JUNCTION	25.40	0.75	0.0
PCTB02237	JUNCTION	20.03	5.55	0.0
PCTB02237-S	JUNCTION	25.58	0.75	0.0
PCTB02257	JUNCTION	21.36	5.60	0.0
PCTB02257_1	JUNCTION	21.36	5.40	0.0
PCTB02257_1-S	JUNCTION	26.76	0.75	0.0
PCTB02257-S	JUNCTION	26.96	0.75	0.0
PCTB02260	JUNCTION	21.38	4.55	0.0
PCTB02260-S	JUNCTION	25.93	0.75	0.0
PCTB02262	JUNCTION	21.28	4.50	0.0
PCTB02262-S	JUNCTION	25.78	0.75	0.0
PCTB02275	JUNCTION	21.45	4.10	0.0
PCTB02275-S	JUNCTION	25.55	0.75	0.0
PCTB02276	JUNCTION	21.52	4.60	0.0
PCTB02276-S	JUNCTION	26.12	0.75	0.0
PCTB02278	JUNCTION	22.24	4.00	0.0
PCTB02278-S	JUNCTION	24.64	0.75	0.0
PCTB02280	JUNCTION	18.89	3.69	0.0
PCTB02280-S	JUNCTION	22.58	0.75	0.0
PCTB02281	JUNCTION	19.16	3.61	0.0
PCTB02281-S	JUNCTION	22.77	0.75	0.0
PCTB02282	JUNCTION	19.76	5.39	0.0
PCTB02282-S	JUNCTION	25.15	0.75	0.0
PCTB02283	JUNCTION	19.92	2.95	0.0
PCTB02283-S	JUNCTION	22.87	0.75	0.0
PCTB02284	JUNCTION	20.26	2.92	0.0
PCTB02284-S	JUNCTION	23.18	0.75	0.0
PCTB02292	JUNCTION	18.00	7.50	0.0
PCTB02292-S	JUNCTION	23.00	0.75	0.0
PCTB02294	JUNCTION	17.67	7.50	0.0
PCTB02294-S	JUNCTION	22.67	0.75	0.0
PCTB02295	JUNCTION	17.24	10.00	0.0
PCTB02295-S	JUNCTION	22.24	0.75	0.0
PCTB02297	JUNCTION	20.41	2.90	0.0
PCTB02297-S	JUNCTION	23.31	0.75	0.0
PCTB02302	JUNCTION	18.34	6.00	0.0
PCTB02302-S	JUNCTION	23.34	0.75	0.0
PCTB02303	JUNCTION	18.13	7.12	0.0
PCTB02303-S	JUNCTION	25.25	0.75	0.0
PCTB02304	JUNCTION	18.37	5.23	0.0
PCTB02304-S	JUNCTION	23.60	0.75	0.0
PCTB02312	JUNCTION	18.25	6.00	0.0
PCTB02312-S	JUNCTION	23.25	0.75	0.0
PCTB02329	JUNCTION	22.16	2.07	0.0
PCTB02329-S	JUNCTION	24.23	0.75	0.0
PCTB02330	JUNCTION	22.30	3.12	0.0
PCTB02330-S	JUNCTION	25.42	0.75	0.0
PCTB02331	JUNCTION	22.22	2.82	0.0
PCTB02331-S	JUNCTION	25.04	0.75	0.0
PCTB02332	JUNCTION	22.20	3.47	0.0
PCTB02332-S	JUNCTION	25.67	0.75	0.0
TRMB02002	JUNCTION	5.55	10.66	0.0
TRMB02002-S	JUNCTION	16.21	0.75	0.0
TRMB02003	JUNCTION	2.88	9.70	0.0
TRMB02003-S	JUNCTION	12.58	0.75	0.0
TRMB02006	JUNCTION	8.60	9.30	0.0
TRMB02006-S	JUNCTION	17.90	0.75	0.0
TRMB02009	JUNCTION	17.27	9.55	0.0
TRMB02009-S	JUNCTION	26.82	0.75	0.0
TRMB02012	JUNCTION	19.50	7.30	0.0
TRMB02012-S	JUNCTION	26.80	0.75	0.0
TRMB02015	JUNCTION	21.05	4.09	0.0

Existing Conditions (10-Year)

TRMB02015-S	JUNCTION	25.14	0.75	0.0
TRMB02016	JUNCTION	21.14	4.08	0.0
TRMB02016-S	JUNCTION	25.22	0.75	0.0
TRMB02018	JUNCTION	22.91	5.75	0.0
TRMB02018-S	JUNCTION	28.66	0.75	0.0
TRMB02022	JUNCTION	23.78	4.78	0.0
TRMB02022-S	JUNCTION	28.56	0.75	0.0
TRMB02023	JUNCTION	26.02	3.17	0.0
TRMB02023-S	JUNCTION	29.19	0.75	0.0
TRMB02030	JUNCTION	26.92	2.30	0.0
TRMB02030-S	JUNCTION	29.22	0.75	0.0
TRMB02032	JUNCTION	29.04	4.64	0.0
TRMB02032-S	JUNCTION	33.68	0.75	0.0
TRMB02033	JUNCTION	29.82	3.92	0.0
TRMB02033-S	JUNCTION	33.74	0.75	0.0
TRMB02034	JUNCTION	30.95	3.38	0.0
TRMB02034-S	JUNCTION	34.33	0.75	0.0
TRMB02035	JUNCTION	34.22	2.12	0.0
TRMB02035-S	JUNCTION	36.34	0.75	0.0
TRMB02044	JUNCTION	30.90	6.20	0.0
TRMB02044_DS	JUNCTION	24.15	8.87	0.0
TRMB02044_DS-S	JUNCTION	33.02	0.75	0.0
TRMB02044-S	JUNCTION	37.10	0.75	0.0
TRMB02045	JUNCTION	30.78	5.96	0.0
TRMB02045-S	JUNCTION	36.74	0.75	0.0
TRMB02046	JUNCTION	33.03	3.60	0.0
TRMB02046-S	JUNCTION	36.63	0.75	0.0
TRMB02047	JUNCTION	34.19	2.57	0.0
TRMB02047-S	JUNCTION	36.76	0.75	0.0
TRMB02048	JUNCTION	35.97	3.28	0.0
TRMB02048-S	JUNCTION	39.25	0.75	0.0
TRMB02049	JUNCTION	36.55	2.79	0.0
TRMB02049-S	JUNCTION	39.34	0.75	0.0
TRMB02050	JUNCTION	30.87	5.15	0.0
TRMB02050-S	JUNCTION	36.02	0.75	0.0
TRMB02051	JUNCTION	31.09	3.81	0.0
TRMB02051-S	JUNCTION	34.90	0.75	0.0
TRMB02052	JUNCTION	31.25	3.55	0.0
TRMB02052-S	JUNCTION	34.80	0.75	0.0
TRMB02056	JUNCTION	31.41	3.79	0.0
TRMB02056-S	JUNCTION	35.20	0.75	0.0
TRMB02057	JUNCTION	31.54	3.80	0.0
TRMB02057-S	JUNCTION	35.34	0.75	0.0
TRMB02060	JUNCTION	34.30	6.94	0.0
TRMB02060-S	JUNCTION	41.24	0.75	0.0
TRMB02063	JUNCTION	40.17	3.50	0.0
TRMB02063-S	JUNCTION	43.67	0.75	0.0
TRMB02064	JUNCTION	41.04	3.52	0.0
TRMB02064-S	JUNCTION	44.56	0.75	0.0
TRMB02067	JUNCTION	41.26	4.94	0.0
TRMB02067-S	JUNCTION	46.20	0.75	0.0
TRMB02068	JUNCTION	42.12	6.54	0.0
TRMB02068-S	JUNCTION	48.66	0.75	0.0
TRMB02069	JUNCTION	42.57	6.83	0.0
TRMB02069-S	JUNCTION	49.40	0.75	0.0
TRMB02070	JUNCTION	42.72	6.88	0.0
TRMB02070-S	JUNCTION	49.60	0.75	0.0
TRMB03016	JUNCTION	7.94	6.94	0.0
TRMB03016-S	JUNCTION	14.88	0.00	0.0
TRMB03022	JUNCTION	9.90	2.89	0.0
TRMB03022-S	JUNCTION	12.57	0.75	0.0
TRMB03025	JUNCTION	12.79	6.80	0.0

Existing Conditions (10-Year)

TRMB03025-S	JUNCTION	19.59	0.75	0.0
TRMB03026	JUNCTION	15.11	1.00	0.0
TRMB03027	JUNCTION	15.45	2.96	0.0
TRMB03028	JUNCTION	12.78	7.31	0.0
TRMB03028-S	JUNCTION	20.09	0.75	0.0
TRMB03029	JUNCTION	13.78	5.35	0.0
TRMB03029-S	JUNCTION	19.13	0.75	0.0
TRMB03030	JUNCTION	14.88	6.00	0.0
TRMB03030-S	JUNCTION	19.95	0.75	0.0
TRMB03031	JUNCTION	17.87	8.21	0.0
TRMB03031-S	JUNCTION	26.08	0.75	0.0
TRMB03032	JUNCTION	21.26	7.36	0.0
TRMB03032-S	JUNCTION	28.62	0.75	0.0
TRMB03033	JUNCTION	27.53	2.68	0.0
TRMB03033-S	JUNCTION	30.21	0.75	0.0
TRMB03034	JUNCTION	27.34	3.02	0.0
TRMB03034-S	JUNCTION	30.36	0.75	0.0
TRMB03035	JUNCTION	25.87	3.41	0.0
TRMB03035-S	JUNCTION	29.28	0.75	0.0
TRMB03036	JUNCTION	21.73	7.55	0.0
TRMB03036-S	JUNCTION	29.28	0.75	0.0
TRMB03037	JUNCTION	27.75	2.92	0.0
TRMB03037-S	JUNCTION	30.67	0.75	0.0
TRMB03038	JUNCTION	26.54	3.86	0.0
TRMB03038-S	JUNCTION	30.40	0.75	0.0
TRMB03039	JUNCTION	23.34	6.56	0.0
TRMB03039-S	JUNCTION	29.90	0.75	0.0
TRMB03042	JUNCTION	35.90	4.77	0.0
TRMB03042-S	JUNCTION	40.67	0.75	0.0
TRMB03043	JUNCTION	24.32	4.27	0.0
TRMB03043-S	JUNCTION	28.59	0.75	0.0
TRMB03044	JUNCTION	25.42	3.12	0.0
TRMB03044-S	JUNCTION	28.54	0.75	0.0
TRMB03049	JUNCTION	24.75	4.47	0.0
TRMB03049-S	JUNCTION	29.22	0.75	0.0
TRMB03051	JUNCTION	25.33	2.81	0.0
TRMB03051-S	JUNCTION	28.14	0.75	0.0
TRMB03052	JUNCTION	27.03	1.33	0.0
TRMB03052-S	JUNCTION	28.36	0.75	0.0
TRMB03054	JUNCTION	25.44	2.93	0.0
TRMB03054-S	JUNCTION	28.37	0.75	0.0
TRMB03055	JUNCTION	25.50	2.72	0.0
TRMB03055-S	JUNCTION	28.22	0.75	0.0
TRMB03063	JUNCTION	28.00	3.07	0.0
TRMB03063-S	JUNCTION	31.07	0.75	0.0
TRMB03065	JUNCTION	2.53	11.47	0.0
TRMB03065-S	JUNCTION	14.00	0.75	0.0
TRMB03067	JUNCTION	18.14	2.51	0.0
TRMB03067-S	JUNCTION	20.65	0.75	0.0
TRMB03068	JUNCTION	4.83	10.55	0.0
TRMB03068-S	JUNCTION	15.38	0.75	0.0
TRMB03069	JUNCTION	3.40	10.83	0.0
TRMB03069-S	JUNCTION	14.23	0.75	0.0
TRMB03070	JUNCTION	4.58	9.56	0.0
TRMB03070-S	JUNCTION	14.14	0.75	0.0
TRMB03072	JUNCTION	8.98	9.12	0.0
TRMB03072-S	JUNCTION	18.10	0.75	0.0
TRMB03073	JUNCTION	16.56	2.83	0.0
TRMB03073-S	JUNCTION	19.39	0.75	0.0
TRMB03083	JUNCTION	9.78	8.84	0.0
TRMB03083-S	JUNCTION	18.62	0.75	0.0
TRMB03084	JUNCTION	9.00	8.95	0.0

Existing Conditions (10-Year)

TRMB03084-S	JUNCTION	17.95	0.75	0.0
TRMB03087	JUNCTION	9.90	6.37	0.0
TRMB03087-S	JUNCTION	16.27	0.75	0.0
TRMB03088	JUNCTION	21.54	8.31	0.0
TRMB03088-S	JUNCTION	29.85	0.75	0.0
TRMB03089	JUNCTION	22.54	7.28	0.0
TRMB03089-S	JUNCTION	29.82	0.75	0.0
TRMB03090	JUNCTION	22.36	6.58	0.0
TRMB03090-S	JUNCTION	28.94	0.75	0.0
TRMB03091	JUNCTION	26.44	7.38	0.0
TRMB03091-S	JUNCTION	33.82	0.75	0.0
TRMB03092	JUNCTION	29.88	1.79	0.0
TRMB03092-S	JUNCTION	31.67	0.75	0.0
TRMB03094	JUNCTION	28.09	6.83	0.0
TRMB03094-S	JUNCTION	34.92	0.75	0.0
TRMB03095	JUNCTION	32.05	2.87	0.0
TRMB03095-S	JUNCTION	34.92	0.75	0.0
TRMB03096	JUNCTION	28.15	8.21	0.0
TRMB03096-S	JUNCTION	36.36	0.75	0.0
TRMB03097	JUNCTION	34.36	5.92	0.0
TRMB03097-S	JUNCTION	40.28	0.75	0.0
TRMB03101	JUNCTION	32.50	4.70	0.0
TRMB03101-S	JUNCTION	37.20	0.75	0.0
TRMB03102	JUNCTION	29.27	8.41	0.0
TRMB03102-S	JUNCTION	37.68	0.75	0.0
TRMB03103	JUNCTION	33.01	8.03	0.0
TRMB03103-S	JUNCTION	41.04	0.75	0.0
TRMB03111	JUNCTION	35.20	7.03	0.0
TRMB03111-S	JUNCTION	42.23	0.75	0.0
TRMB03132	JUNCTION	13.00	10.67	0.0
TRMB03132-S	JUNCTION	23.67	0.75	0.0
TRMB04089	JUNCTION	47.97	12.80	0.0
TRMB04089-S	JUNCTION	60.77	0.75	0.0
TRMB04265-S	JUNCTION	59.86	0.00	0.0
TRMB05002	JUNCTION	38.19	5.75	0.0
TRMB05002-S	JUNCTION	43.94	0.75	0.0
TRMB05003	JUNCTION	39.42	7.80	0.0
TRMB05003-S	JUNCTION	47.22	0.75	0.0
TRMB05004	JUNCTION	39.50	6.99	0.0
TRMB05004-S	JUNCTION	46.49	0.75	0.0
TRMB05005	JUNCTION	40.00	8.14	0.0
TRMB05005-S	JUNCTION	48.14	0.75	0.0
TRMB05006	JUNCTION	40.76	8.60	0.0
TRMB05006-S	JUNCTION	49.36	0.75	0.0
TRMB05008	JUNCTION	43.68	3.90	0.0
TRMB05008-S	JUNCTION	47.58	0.75	0.0
TRMB05009	JUNCTION	45.01	6.50	0.0
TRMB05009_DS	JUNCTION	43.83	7.09	0.0
TRMB05009_DS-S	JUNCTION	50.92	0.75	0.0
TRMB05009-S	JUNCTION	51.51	0.75	0.0
TRMB05010	JUNCTION	46.18	3.05	0.0
TRMB05010-S	JUNCTION	49.23	0.75	0.0
TRMB05011	JUNCTION	46.91	2.90	0.0
TRMB05011-S	JUNCTION	49.81	0.75	0.0
TRMB05012	JUNCTION	46.81	2.90	0.0
TRMB05012-S	JUNCTION	49.71	0.75	0.0
TRMB05013	JUNCTION	48.96	2.10	0.0
TRMB05013-S	JUNCTION	51.06	0.75	0.0
TRMB05014	JUNCTION	48.61	2.60	0.0
TRMB05014-S	JUNCTION	51.21	0.75	0.0
TRMB05015	JUNCTION	46.05	8.60	0.0
TRMB05015-S	JUNCTION	54.65	0.75	0.0

Existing Conditions (10-Year)

TRMB05016	JUNCTION	50.41	4.00	0.0
TRMB05016-S	JUNCTION	54.41	0.75	0.0
TRMB05017	JUNCTION	46.23	9.45	0.0
TRMB05017_US	JUNCTION	47.08	11.09	0.0
TRMB05017_US-S	JUNCTION	58.17	0.75	0.0
TRMB05017-S	JUNCTION	55.68	0.75	0.0
TRMB05018	JUNCTION	50.34	4.15	0.0
TRMB05018-S	JUNCTION	54.49	0.75	0.0
TRMB05019	JUNCTION	50.62	3.50	0.0
TRMB05019-S	JUNCTION	54.12	0.75	0.0
TRMB05020	JUNCTION	50.78	3.50	0.0
TRMB05020-S	JUNCTION	54.28	0.75	0.0
TRMB05021	JUNCTION	51.47	3.20	0.0
TRMB05021-S	JUNCTION	54.67	0.75	0.0
TRMB05022	JUNCTION	50.10	4.30	0.0
TRMB05022-S	JUNCTION	54.40	0.75	0.0
TRMB05023	JUNCTION	51.41	1.25	0.0
TRMB05023-S	JUNCTION	51.41	0.75	0.0
TRMB05025	JUNCTION	53.20	2.00	0.0
TRMB05025-S	JUNCTION	55.20	0.75	0.0
TRMB05026	JUNCTION	50.05	2.65	0.0
TRMB05026-S	JUNCTION	52.70	0.75	0.0
TRMB05027	JUNCTION	52.70	2.04	0.0
TRMB05027-S	JUNCTION	54.74	0.75	0.0
TRMB05028	JUNCTION	51.94	3.50	0.0
TRMB05028-S	JUNCTION	55.44	0.75	0.0
TRMB05029	JUNCTION	51.62	3.20	0.0
TRMB05029-S	JUNCTION	54.82	0.75	0.0
TRMB05030	JUNCTION	52.44	2.75	0.0
TRMB05030-S	JUNCTION	55.19	0.75	0.0
TRMB05031	JUNCTION	53.30	2.02	0.0
TRMB05031-S	JUNCTION	55.32	0.75	0.0
TRMB05032	JUNCTION	52.96	2.40	0.0
TRMB05032-S	JUNCTION	55.36	0.75	0.0
TRMB05033	JUNCTION	52.44	2.75	0.0
TRMB05033-S	JUNCTION	55.19	0.75	0.0
TRMB05034	JUNCTION	53.11	2.40	0.0
TRMB05034-S	JUNCTION	55.51	0.75	0.0
TRMB05035	JUNCTION	52.75	3.10	0.0
TRMB05035-S	JUNCTION	55.85	0.75	0.0
TRMB05036	JUNCTION	53.15	2.35	0.0
TRMB05036-S	JUNCTION	55.50	0.75	0.0
TRMB05037	JUNCTION	54.00	1.70	0.0
TRMB05037-S	JUNCTION	55.70	0.75	0.0
TRMB05038	JUNCTION	53.35	2.35	0.0
TRMB05038-S	JUNCTION	55.70	0.75	0.0
TRMB05039	JUNCTION	53.50	2.02	0.0
TRMB05039-S	JUNCTION	55.52	0.75	0.0
TRMB05040	JUNCTION	48.84	7.05	0.0
TRMB05040-S	JUNCTION	55.89	0.75	0.0
TRMB05041	JUNCTION	46.90	5.35	0.0
TRMB05041-S	JUNCTION	52.25	0.75	0.0
TRMB05042	JUNCTION	49.69	2.65	0.0
TRMB05042-S	JUNCTION	52.34	0.75	0.0
TRMB05043	JUNCTION	46.37	6.49	0.0
TRMB05043-S	JUNCTION	52.86	0.75	0.0
TRMB05044	JUNCTION	47.57	3.55	0.0
TRMB05044-S	JUNCTION	51.12	0.75	0.0
TRMB05045	JUNCTION	46.68	5.80	0.0
TRMB05045-S	JUNCTION	52.48	0.75	0.0
TRMB05046	JUNCTION	43.27	4.40	0.0
TRMB05046-S	JUNCTION	47.67	0.75	0.0

Existing Conditions (10-Year)

TRMB05047	JUNCTION	41.52	1.50	0.0
TRMB05048	JUNCTION	42.82	5.46	0.0
TRMB05048-S	JUNCTION	48.28	0.75	0.0
PCTB01066	OUTFALL	17.98	3.00	0.0
PCTB02009	OUTFALL	21.77	3.00	0.0
PCTB02081	OUTFALL	16.83	6.70	0.0
TRMB02001	OUTFALL	-0.35	3.00	0.0
TRMB03012	OUTFALL	7.18	2.50	0.0
TRMB03066	OUTFALL	0.00	3.00	0.0
TRMB05001	OUTFALL	23.60	3.50	0.0

Link Summary

Name	From Node	To Node	Type	Length	%Slope

C1	PCTB02159	PCTB02076	CONDUIT	86.8	0.3340
0.0150					
C14	PCTB02329	PCTB02002	CONDUIT	27.5	0.6177
0.0200					
C2_1	PCTB02191	PCTB02191_DS	CONDUIT	20.7	5.8640
0.0150					
C2_1-S	PCTB02191-S	PCTB02191_DS-S	CONDUIT	20.7	3.8732
0.0140					
C2_2	PCTB02191_DS	PCTB02080	CONDUIT	619.3	0.0355
0.0200					
C3	PCTB02280-S	PCTB02282-S	CONDUIT	309.1	-0.8314
0.0140					
C9	TRMB05043	TRMB05009_DS	CONDUIT	14.1	18.3407
0.0150					
C9-S	TRMB05043-S	TRMB05009_DS-S	CONDUIT	14.1	13.9111
0.0140					
CountrySideE_Ditch	JMTB01006	CountrySideE_Ditch_Culvert_In	CONDUIT		
3616.4	0.0812	0.0200			
CountrySideE_Ditch_Culvert	CountrySideE_Ditch_Culvert_In	PCTB02257	CONDUIT		
106.3	0.1411	0.0150			
CountrySideE_Ditch_Culvert-S	CountrySideE_Ditch_Culvert_In-S	PCTB02257-S	CONDUIT		
106.3	0.5079	0.0140			
JMTB01003	JMTB01003	JMTB01004	CONDUIT	9.3	-0.5460
0.0150					
JMTB01003-S	JMTB01003-S	JMTB01004-S	CONDUIT	9.3	-6.1142
0.0140					
JMTB01004	JMTB01004	JMTB01005	CONDUIT	38.6	-0.5419
0.0130					
JMTB01004-S	JMTB01004-S	JMTB01005-S	CONDUIT	38.6	0.7778
0.0140					
JMTB01005	JMTB01005	JMTB01006	CONDUIT	338.1	0.2050
0.0130					
JMTB01005-S	JMTB01005-S	JMTB01006-S	CONDUIT	338.1	0.2227
0.0140					
JMTB01102	JMTB01102	JMTB01103	CONDUIT	20.3	0.8358
0.0130					
JMTB01102-S	JMTB01102-S	JMTB01103-S	CONDUIT	20.3	-2.5082
0.0140					
JMTB01103	JMTB01103	JMTB01105	CONDUIT	164.6	0.2369
0.0130					
JMTB01103_1	JMTB01105	JMTB01003	CONDUIT	299.1	0.3376
0.0200					

Existing Conditions (10-Year)

JMTB01103-S 0.0140	JMTB01103-S	JMTB01105-S	CONDUIT	164.6	1.0693
JMTB01104 0.0130	JMTB01104	JMTB01103	CONDUIT	21.3	0.9864
JMTB01104-S 0.0140	JMTB01104-S	JMTB01103-S	CONDUIT	21.3	0.7985
PCTB01068 0.0150	PCTB01068	PCTB01066	CONDUIT	512.6	0.2675
PCTB01068_US 0.0150	PCTB01068_US	PCTB01068	CONDUIT	220.6	0.2947
PCTB01068_US-S 0.0140	PCTB01068_US-S	PCTB01068-S	CONDUIT	220.6	-0.0272
PCTB02001 0.0200	PCTB02001	PCTB02015	CONDUIT	924.6	0.0876
PCTB02002 0.0130	PCTB02002	PCTB02001	CONDUIT	48.2	0.4357
PCTB02002-S 0.0140	PCTB02002-S	PCTB02001-S	CONDUIT	48.2	1.8053
PCTB02003 0.0150	PCTB02003	PCTB02004	CONDUIT	63.9	-0.2816
PCTB02003-S 0.0140	PCTB02003-S	PCTB02004-S	CONDUIT	63.9	-0.2816
PCTB02008 0.0150	PCTB02008	PCTB02009	CONDUIT	87.0	-0.1471
PCTB02011 0.0130	PCTB02012	PCTB02011	CONDUIT	28.6	-0.8404
PCTB02011_1 0.0200	PCTB02011	PCTB02008	CONDUIT	306.7	0.0717
PCTB02011-S 0.0140	PCTB02012-S	PCTB02011-S	CONDUIT	28.6	-2.4517
PCTB02014 0.0130	PCTB02015	PCTB02014	CONDUIT	28.1	0.9612
PCTB02014_1 0.0200	PCTB02014	PCTB02012	CONDUIT	793.0	-0.1160
PCTB02014-S 0.0140	PCTB02015-S	PCTB02014-S	CONDUIT	28.1	1.4597
PCTB02016 0.0150	PCTB02016	PCTB02017	CONDUIT	31.9	0.7513
PCTB02016-S 0.0140	PCTB02016-S	PCTB02017-S	CONDUIT	31.9	-0.0313
PCTB02020 0.0100	PCTB02005	PCTB02016	CONDUIT	261.2	0.0383
PCTB02021 0.0100	PCTB02017	PCTB02003	CONDUIT	302.9	0.0033
PCTB02022 0.0150	PCTB02022	PCTB02023	CONDUIT	32.9	-0.0912
PCTB02022-S 0.0140	PCTB02022-S	PCTB02023-S	CONDUIT	32.9	0.1216
PCTB02023 0.0150	PCTB02023	PCTB02332	CONDUIT	127.2	0.1179
PCTB02023-S 0.0140	PCTB02023-S	PCTB02332-S	CONDUIT	127.2	-0.7468
PCTB02076 0.0150	PCTB02076	PCTB02075	CONDUIT	113.4	0.4320
PCTB02080 0.0150	PCTB02080	PCTB02081	CONDUIT	172.5	0.0006
PCTB02160 0.0150	PCTB02160	PCTB02159	CONDUIT	71.5	-0.0140
PCTB02172 0.0100	PCTB02075	PCTB02080	CONDUIT	82.9	0.4702
PCTB02189 0.0130	PCTB02189	PCTB02191	CONDUIT	231.5	0.5010

Existing Conditions (10-Year)

PCTB02189-S 0.0140	PCTB02189-S	PCTB02191-S	CONDUIT	231.5	0.3283
PCTB02208 0.0150	PCTB02209	PCTB02207	CONDUIT	96.0	0.4789
PCTB02208-S 0.0140	PCTB02209-S	PCTB02207-S	CONDUIT	96.0	0.4789
PCTB02231 0.0150	PCTB02231	PCTB02229	CONDUIT	282.3	0.0779
PCTB02231-S 0.0140	PCTB02231-S	PCTB02229-S	CONDUIT	282.3	0.0992
PCTB02237 0.0150	PCTB02237	PCTB02235	CONDUIT	88.8	0.2027
PCTB02237-S 0.0140	PCTB02237-S	PCTB02235-S	CONDUIT	88.8	0.2049
PCTB02239 0.0200	PCTB02233	PCTB02237	CONDUIT	348.6	1.5435
PCTB02240 0.0200	PCTB02207	PCTB02237	CONDUIT	464.7	0.1270
PCTB02259_1 0.0100	PCTB02257	PCTB02257_1	CONDUIT	35.4	0.0028
PCTB02259_2 0.0100	PCTB02257_1	PCTB02260	CONDUIT	146.5	-0.0137
PCTB02260 0.0150	PCTB02260	PCTB02262	CONDUIT	69.1	0.1447
PCTB02260-S 0.0140	PCTB02260-S	PCTB02262-S	CONDUIT	69.1	0.2171
PCTB02264 0.0100	PCTB02262	PCTB02209	CONDUIT	476.6	0.0420
PCTB02274 0.0130	PCTB02008	PCTB02005	CONDUIT	1148.4	-0.2403
PCTB02275 0.0150	PCTB02275	PCTB02257_1	CONDUIT	24.9	0.3614
PCTB02275-S 0.0140	PCTB02275-S	PCTB02257_1-S	CONDUIT	24.9	-4.8652
PCTB02276 0.0150	PCTB02276	PCTB02275	CONDUIT	593.0	0.0118
PCTB02276-S 0.0140	PCTB02276-S	PCTB02275-S	CONDUIT	593.0	0.0961
PCTB02278 0.0150	PCTB02278	PCTB02276	CONDUIT	157.0	0.4585
PCTB02278-S 0.0140	PCTB02278-S	PCTB02276-S	CONDUIT	157.0	-0.9425
PCTB02279 0.0100	PCTB02004	PCTB02278	CONDUIT	1283.9	0.1495
PCTB02280 0.0130	PCTB02280	PCTB02292	CONDUIT	147.4	0.6038
PCTB02280-S 0.0140	PCTB02280-S	PCTB02292-S	CONDUIT	147.4	-0.2849
PCTB02281 0.0130	PCTB02281	PCTB02280	CONDUIT	24.6	1.0981
PCTB02281-S 0.0140	PCTB02281-S	PCTB02280-S	CONDUIT	24.6	0.7727
PCTB02282 0.0130	PCTB02282	PCTB02312	CONDUIT	153.8	0.9820
PCTB02282-S 0.0140	PCTB02282-S	PCTB02312-S	CONDUIT	153.8	1.2357
PCTB02283 0.0130	PCTB02283	PCTB02282	CONDUIT	36.7	0.4357
PCTB02283-S 0.0140	PCTB02283-S	PCTB02282-S	CONDUIT	36.7	-6.2212
PCTB02284 0.0150	PCTB02284	PCTB02283	CONDUIT	58.2	0.5846

Existing Conditions (10-Year)

PCTB02284-S 0.0140	PCTB02284-S	PCTB02283-S	CONDUIT	58.2	0.5330
PCTB02292 0.0200	PCTB02292	PCTB02294	CONDUIT	1086.7	0.0304
PCTB02294 0.0150	PCTB02294	PCTB02295	CONDUIT	39.6	1.0848
PCTB02294-S 0.0140	PCTB02294-S	PCTB02295-S	CONDUIT	39.6	1.0848
PCTB02295 0.0200	PCTB02295	PCTB02191_DS	CONDUIT	168.6	0.0237
PCTB02297 0.0130	PCTB02297	PCTB02281	CONDUIT	495.7	0.2522
PCTB02297-S 0.0140	PCTB02297-S	PCTB02281-S	CONDUIT	495.7	0.1089
PCTB02299 0.0100	PCTB02220	PCTB02160	CONDUIT	412.9	0.1361
PCTB02300 0.0100	PCTB02229	PCTB02220	CONDUIT	240.9	0.1362
PCTB02301 0.0100	PCTB02235	PCTB02231	CONDUIT	830.0	0.0904
PCTB02302 0.0200	PCTB02302	PCTB02312	CONDUIT	219.7	0.0410
PCTB02303 0.0150	PCTB02303	PCTB02302	CONDUIT	44.3	-0.4742
PCTB02303-S 0.0140	PCTB02303-S	PCTB02302-S	CONDUIT	44.3	4.3165
PCTB02304 0.0150	PCTB02304	PCTB02303	CONDUIT	18.8	1.2753
PCTB02304-S 0.0140	PCTB02304-S	PCTB02303-S	CONDUIT	18.8	-8.8012
PCTB02312 0.0200	PCTB02312	PCTB02292	CONDUIT	351.4	0.0711
PCTB02329 0.0150	PCTB02330	PCTB02329	CONDUIT	167.7	0.0835
PCTB02329-S 0.0140	PCTB02330-S	PCTB02329-S	CONDUIT	167.7	0.7096
PCTB02330 0.0150	PCTB02331	PCTB02330	CONDUIT	65.3	-0.1225
PCTB02330-S 0.0140	PCTB02331-S	PCTB02330-S	CONDUIT	65.3	-0.5821
PCTB02331 0.0150	PCTB02332	PCTB02331	CONDUIT	189.0	-0.0106
PCTB02331-S 0.0140	PCTB02332-S	PCTB02331-S	CONDUIT	189.0	0.3334
TRMB02002 0.0150	TRMB02002	TRMB02001	CONDUIT	187.6	3.1488
TRMB02003 0.0150	TRMB02003	TRMB02002	CONDUIT	35.5	-7.5532
TRMB02003-S 0.0140	TRMB02003-S	TRMB02002-S	CONDUIT	35.5	-10.2939
TRMB02006 0.0150	TRMB02006	TRMB02003	CONDUIT	394.8	1.4488
TRMB02006-S 0.0140	TRMB02006-S	TRMB02003-S	CONDUIT	394.8	1.3475
TRMB02009 0.0150	TRMB02009	TRMB02006	CONDUIT	238.7	3.6346
TRMB02009-S 0.0140	TRMB02009-S	TRMB02006-S	CONDUIT	238.7	3.7395
TRMB02012 0.0150	TRMB02012	TRMB02009	CONDUIT	204.7	1.0895
TRMB02012-S 0.0140	TRMB02012-S	TRMB02009-S	CONDUIT	204.7	-0.0098

Existing Conditions (10-Year)

TRMB02015 0.0150	TRMB02015	TRMB02012	CONDUIT	183.9	0.8427
TRMB02015-S 0.0140	TRMB02015-S	TRMB02012-S	CONDUIT	183.9	-0.9026
TRMB02016 0.0150	TRMB02016	TRMB02015	CONDUIT	25.8	0.3495
TRMB02016-S 0.0140	TRMB02016-S	TRMB02015-S	CONDUIT	25.8	0.3107
TRMB02018 0.0150	TRMB02018	TRMB02016	CONDUIT	348.9	0.5073
TRMB02018-S 0.0140	TRMB02018-S	TRMB02016-S	CONDUIT	348.9	0.9860
TRMB02022 0.0150	TRMB02022	TRMB02018	CONDUIT	221.7	0.3924
TRMB02022-S 0.0140	TRMB02022-S	TRMB02018-S	CONDUIT	221.7	-0.0451
TRMB02023 0.0130	TRMB02023	TRMB02022	CONDUIT	245.0	0.9144
TRMB02023-S 0.0140	TRMB02023-S	TRMB02022-S	CONDUIT	245.0	0.2572
TRMB02030 0.0150	TRMB02030	TRMB02023	CONDUIT	74.7	1.2057
TRMB02030-S 0.0140	TRMB02030-S	TRMB02023-S	CONDUIT	74.7	0.0402
TRMB02032 0.0130	TRMB02032	TRMB02030	CONDUIT	276.7	0.7662
TRMB02032-S 0.0140	TRMB02032-S	TRMB02030-S	CONDUIT	276.7	1.6120
TRMB02033 0.0130	TRMB02033	TRMB02032	CONDUIT	31.2	2.4984
TRMB02033-S 0.0140	TRMB02033-S	TRMB02032-S	CONDUIT	31.2	0.1921
TRMB02034 0.0130	TRMB02034	TRMB02033	CONDUIT	61.5	1.8362
TRMB02034-S 0.0140	TRMB02034-S	TRMB02033-S	CONDUIT	61.5	0.9586
TRMB02035 0.0130	TRMB02035	TRMB02034	CONDUIT	146.7	2.2293
TRMB02035-S 0.0140	TRMB02035-S	TRMB02034-S	CONDUIT	146.7	1.3701
TRMB02044_1 0.0150	TRMB02044	TRMB02044_DS	CONDUIT	531.7	1.2696
TRMB02044_1-S 0.0140	TRMB02044-S	TRMB02044_DS-S	CONDUIT	531.7	0.7674
TRMB02044_2 0.0150	TRMB02044_DS	TRMB02022	CONDUIT	437.6	0.0845
TRMB02044_2-S 0.0140	TRMB02044_DS-S	TRMB02022-S	CONDUIT	437.6	1.0192
TRMB02045 0.0150	TRMB02045	TRMB02044	CONDUIT	24.4	-0.4910
TRMB02045-S 0.0140	TRMB02045-S	TRMB02044-S	CONDUIT	24.4	-1.4732
TRMB02046 0.0130	TRMB02046	TRMB02045	CONDUIT	16.0	14.2309
TRMB02046-S 0.0140	TRMB02046-S	TRMB02045-S	CONDUIT	16.0	-0.6888
TRMB02047 0.0130	TRMB02047	TRMB02046	CONDUIT	36.1	3.2158
TRMB02047-S 0.0140	TRMB02047-S	TRMB02046-S	CONDUIT	36.1	0.3602
TRMB02048 0.0130	TRMB02048	TRMB02047	CONDUIT	111.5	1.5968

Existing Conditions (10-Year)

TRMB02048-S 0.0140	TRMB02048-S	TRMB02047-S	CONDUIT	111.5	2.2339
TRMB02049 0.0130	TRMB02049	TRMB02048	CONDUIT	38.1	1.5237
TRMB02049-S 0.0140	TRMB02049-S	TRMB02048-S	CONDUIT	38.1	0.2364
TRMB02050 0.0150	TRMB02050	TRMB02045	CONDUIT	62.2	0.1446
TRMB02050-S 0.0140	TRMB02050-S	TRMB02045-S	CONDUIT	62.2	-1.1573
TRMB02051 0.0150	TRMB02051	TRMB02050	CONDUIT	153.6	0.1432
TRMB02051-S 0.0140	TRMB02051-S	TRMB02050-S	CONDUIT	153.6	-0.7292
TRMB02052 0.0130	TRMB02052	TRMB02051	CONDUIT	20.4	0.7840
TRMB02052-S 0.0140	TRMB02052-S	TRMB02051-S	CONDUIT	20.4	-0.4900
TRMB02056 0.0130	TRMB02056	TRMB02052	CONDUIT	20.4	0.7824
TRMB02056-S 0.0140	TRMB02056-S	TRMB02052-S	CONDUIT	20.4	1.9564
TRMB02057 0.0130	TRMB02057	TRMB02056	CONDUIT	17.6	0.7391
TRMB02057-S 0.0140	TRMB02057-S	TRMB02056-S	CONDUIT	17.6	0.7959
TRMB02060 0.0150	TRMB02060	TRMB02057	CONDUIT	295.1	0.9352
TRMB02060-S 0.0140	TRMB02060-S	TRMB02057-S	CONDUIT	295.1	1.9994
TRMB02063 0.0130	TRMB02063	TRMB02060	CONDUIT	222.3	2.6419
TRMB02063-S 0.0140	TRMB02063-S	TRMB02060-S	CONDUIT	222.3	1.0933
TRMB02064 0.0130	TRMB02064	TRMB02063	CONDUIT	125.5	0.6935
TRMB02064-S 0.0140	TRMB02064-S	TRMB02063-S	CONDUIT	125.5	0.7094
TRMB02067 0.0130	TRMB02067	TRMB02064	CONDUIT	117.7	0.1869
TRMB02067-S 0.0140	TRMB02067-S	TRMB02064-S	CONDUIT	117.7	1.3935
TRMB02068 0.0130	TRMB02068	TRMB02067	CONDUIT	181.4	0.4741
TRMB02068-S 0.0140	TRMB02068-S	TRMB02067-S	CONDUIT	181.4	1.3563
TRMB02069 0.0130	TRMB02069	TRMB02068	CONDUIT	44.4	1.0140
TRMB02069-S 0.0140	TRMB02069-S	TRMB02068-S	CONDUIT	44.4	1.6676
TRMB02070 0.0130	TRMB02070	TRMB02069	CONDUIT	35.3	0.4249
TRMB02070-S 0.0140	TRMB02070-S	TRMB02069-S	CONDUIT	35.3	0.5666
TRMB03016 0.0150	TRMB03016	TRMB03012	CONDUIT	44.3	1.7151
TRMB03022 0.0160	TRMB03022	TRMB03016	CONDUIT	145.8	1.3442
TRMB03025 0.0150	TRMB03025	TRMB03022	CONDUIT	55.0	5.2628
TRMB03025-S 0.0140	TRMB03025-S	TRMB03022-S	CONDUIT	55.0	12.8713

Existing Conditions (10-Year)

TRMB03026 0.0150	TRMB03026	TRMB03022	CONDUIT	14.1	24.1547
TRMB03027 0.0130	TRMB03027	TRMB03026	CONDUIT	31.1	1.0930
TRMB03028 0.0150	TRMB03028	TRMB03025	CONDUIT	19.2	-0.0520
TRMB03028-S 0.0140	TRMB03028-S	TRMB03025-S	CONDUIT	19.2	2.6010
TRMB03029 0.0130	TRMB03029	TRMB03028	CONDUIT	87.0	1.1494
TRMB03029-S 0.0140	TRMB03029-S	TRMB03028-S	CONDUIT	87.0	-1.1034
TRMB03030 0.0150	TRMB03030	TRMB03029	CONDUIT	90.4	1.2173
TRMB03030-S 0.0140	TRMB03030-S	TRMB03029-S	CONDUIT	90.4	0.9074
TRMB03031 0.0150	TRMB03031	TRMB03030	CONDUIT	235.9	1.2676
TRMB03032 0.0150	TRMB03032	TRMB03031	CONDUIT	327.8	1.0342
TRMB03032-S 0.0140	TRMB03032-S	TRMB03031-S	CONDUIT	327.8	0.7748
TRMB03033 0.0130	TRMB03033	TRMB03034	CONDUIT	7.3	2.6072
TRMB03033-S 0.0140	TRMB03033-S	TRMB03034-S	CONDUIT	7.3	-2.0580
TRMB03034 0.0150	TRMB03034	TRMB03036	CONDUIT	135.6	4.1413
TRMB03034-S 0.0140	TRMB03034-S	TRMB03036-S	CONDUIT	135.6	0.7966
TRMB03035 0.0130	TRMB03035	TRMB03036	CONDUIT	5.8	100.5103
TRMB03035-S 0.0140	TRMB03035-S	TRMB03036-S	CONDUIT	5.8	0.0171
TRMB03036 0.0130	TRMB03036	TRMB03032	CONDUIT	133.5	0.3522
TRMB03036-S 0.0140	TRMB03036-S	TRMB03032-S	CONDUIT	133.5	0.4945
TRMB03037 0.0130	TRMB03037	TRMB03034	CONDUIT	32.3	1.2714
TRMB03037-S 0.0140	TRMB03037-S	TRMB03034-S	CONDUIT	32.3	0.9613
TRMB03038 0.0130	TRMB03038	TRMB03036	CONDUIT	33.1	14.6876
TRMB03038-S 0.0140	TRMB03038-S	TRMB03036-S	CONDUIT	33.1	3.3856
TRMB03039 0.0130	TRMB03039	TRMB03036	CONDUIT	148.0	1.0878
TRMB03039-S 0.0140	TRMB03039-S	TRMB03036-S	CONDUIT	148.0	0.4189
TRMB03042 0.0130	TRMB03042	TRMB03039	CONDUIT	395.7	3.1758
TRMB03042-S 0.0140	TRMB03042-S	TRMB03039-S	CONDUIT	395.7	2.7228
TRMB03043 0.0130	TRMB03043	TRMB03039	CONDUIT	263.2	0.3724
TRMB03043-S 0.0140	TRMB03043-S	TRMB03039-S	CONDUIT	263.2	-0.4978
TRMB03044 0.0150	TRMB03044	TRMB03039	CONDUIT	112.7	1.8462
TRMB03044-S 0.0140	TRMB03044-S	TRMB03039-S	CONDUIT	112.7	-1.2070

Existing Conditions (10-Year)

TRMB03049 0.0150	TRMB03049	TRMB03043	CONDUIT	15.6	2.7557
TRMB03049-S 0.0140	TRMB03049-S	TRMB03043-S	CONDUIT	15.6	4.0392
TRMB03051 0.0130	TRMB03051	TRMB03043	CONDUIT	18.3	5.5245
TRMB03051-S 0.0140	TRMB03051-S	TRMB03043-S	CONDUIT	18.3	-2.4584
TRMB03052 0.0130	TRMB03052	TRMB03051	CONDUIT	28.9	5.8864
TRMB03052-S 0.0140	TRMB03052-S	TRMB03051-S	CONDUIT	28.9	0.7605
TRMB03054 0.0130	TRMB03054	TRMB03051	CONDUIT	185.4	0.0593
TRMB03054-S 0.0140	TRMB03054-S	TRMB03051-S	CONDUIT	185.4	0.1241
TRMB03055 0.0130	TRMB03055	TRMB03051	CONDUIT	225.6	0.0754
TRMB03055-S 0.0140	TRMB03055-S	TRMB03051-S	CONDUIT	225.6	0.0355
TRMB03063 0.0130	TRMB03063	TRMB03054	CONDUIT	249.0	1.0282
TRMB03063-S 0.0140	TRMB03063-S	TRMB03054-S	CONDUIT	249.0	1.0844
TRMB03065 0.0150	TRMB03065	TRMB03066	CONDUIT	145.2	1.7432
TRMB03067 0.0130	TRMB03067	TRMB03065	CONDUIT	65.2	24.6749
TRMB03067-S 0.0140	TRMB03067-S	TRMB03065-S	CONDUIT	65.2	10.2592
TRMB03068 0.0150	TRMB03068	TRMB03069	CONDUIT	18.3	7.8555
TRMB03068-S 0.0140	TRMB03068-S	TRMB03069-S	CONDUIT	18.3	6.3104
TRMB03069 0.0150	TRMB03069	TRMB03065	CONDUIT	41.7	2.0878
TRMB03069-S 0.0140	TRMB03069-S	TRMB03065-S	CONDUIT	41.7	0.5518
TRMB03070 0.0150	TRMB03070	TRMB03069	CONDUIT	59.6	1.9786
TRMB03070-S 0.0140	TRMB03070-S	TRMB03069-S	CONDUIT	59.6	-0.1509
TRMB03072 0.0150	TRMB03072	TRMB03070	CONDUIT	122.0	3.6080
TRMB03072-S 0.0140	TRMB03072-S	TRMB03070-S	CONDUIT	122.0	3.2468
TRMB03073 0.0150	TRMB03073	TRMB03070	CONDUIT	116.3	10.3578
TRMB03073-S 0.0140	TRMB03073-S	TRMB03070-S	CONDUIT	116.3	4.5196
TRMB03083 0.0130	TRMB03083	TRMB03072	CONDUIT	29.0	2.7559
TRMB03083-S 0.0140	TRMB03083-S	TRMB03072-S	CONDUIT	29.0	1.7909
TRMB03084 0.0150	TRMB03084	TRMB03072	CONDUIT	6.8	0.2941
TRMB03084-S 0.0140	TRMB03084-S	TRMB03072-S	CONDUIT	6.8	-2.2064
TRMB03087 0.0130	TRMB03087	TRMB03083	CONDUIT	106.8	0.1123
TRMB03087-S 0.0140	TRMB03087-S	TRMB03083-S	CONDUIT	106.8	-2.1999

Existing Conditions (10-Year)

TRMB03088 0.0150	TRMB03088	TRMB03087	CONDUIT	586.4	1.9854
TRMB03088-S 0.0140	TRMB03088-S	TRMB03087-S	CONDUIT	586.4	2.3164
TRMB03089 0.0130	TRMB03089	TRMB03088	CONDUIT	39.9	2.5071
TRMB03089-S 0.0140	TRMB03089-S	TRMB03088-S	CONDUIT	39.9	-0.0752
TRMB03090 0.0130	TRMB03090	TRMB03089	CONDUIT	14.6	-1.2304
TRMB03090-S 0.0140	TRMB03090-S	TRMB03089-S	CONDUIT	14.6	-6.0259
TRMB03091 0.0150	TRMB03091	TRMB03090	CONDUIT	209.3	1.9501
TRMB03091-S 0.0140	TRMB03091-S	TRMB03090-S	CONDUIT	209.3	2.3327
TRMB03092 0.0130	TRMB03092	TRMB03090	CONDUIT	117.8	6.3962
TRMB03092-S 0.0140	TRMB03092-S	TRMB03090-S	CONDUIT	117.8	2.3179
TRMB03094 0.0150	TRMB03094	TRMB03091	CONDUIT	103.8	1.5906
TRMB03094-S 0.0140	TRMB03094-S	TRMB03091-S	CONDUIT	103.8	1.0603
TRMB03095 0.0150	TRMB03095	TRMB03094	CONDUIT	9.0	49.2696
TRMB03095-S 0.0140	TRMB03095-S	TRMB03094-S	CONDUIT	9.0	0.0112
TRMB03096 0.0150	TRMB03096	TRMB03094	CONDUIT	25.1	0.2388
TRMB03096-S 0.0140	TRMB03096-S	TRMB03094-S	CONDUIT	25.1	5.7396
TRMB03097 0.0130	TRMB03097	TRMB03094	CONDUIT	110.6	5.6782
TRMB03097-S 0.0140	TRMB03097-S	TRMB03094-S	CONDUIT	110.6	4.8520
TRMB03101 0.0130	TRMB03101	TRMB03096	CONDUIT	10.9	43.7634
TRMB03101-S 0.0140	TRMB03101-S	TRMB03096-S	CONDUIT	10.9	7.7652
TRMB03102 0.0150	TRMB03102	TRMB03096	CONDUIT	47.8	2.3432
TRMB03102-S 0.0140	TRMB03102-S	TRMB03096-S	CONDUIT	47.8	2.7620
TRMB03103 0.0150	TRMB03103	TRMB03102	CONDUIT	95.9	3.9020
TRMB03103-S 0.0140	TRMB03103-S	TRMB03102-S	CONDUIT	95.9	3.5051
TRMB03111 0.0130	TRMB03111	TRMB03103	CONDUIT	73.5	2.9825
TRMB03111-S 0.0140	TRMB03111-S	TRMB03103-S	CONDUIT	73.5	1.6201
TRMB03132 0.0150	TRMB03132	TRMB03084	CONDUIT	148.8	2.6890
TRMB03132-S 0.0140	TRMB03132-S	TRMB03084-S	CONDUIT	148.8	3.8467
TRMB04089_1 0.0150	TRMB04089	TRMB05017_US	CONDUIT	303.9	0.2929
TRMB04089_1-S 0.0140	TRMB04089-S	TRMB05017_US-S	CONDUIT	303.9	0.8556
TRMB04089_2 0.0150	TRMB05017_US	TRMB05017	CONDUIT	292.1	0.2910

Existing Conditions (10-Year)

TRMB04089_2-S 0.0140	TRMB05017_US-S	TRMB05017-S	CONDUIT	292.1	0.8525
TRMB05002 0.0150	TRMB05002	TRMB05001	CONDUIT	48.8	31.3024
TRMB05003 0.0150	TRMB05003	TRMB05002	CONDUIT	84.0	1.4636
TRMB05003-S 0.0140	TRMB05003-S	TRMB05002-S	CONDUIT	84.0	3.9054
TRMB05004 0.0130	TRMB05004	TRMB05003	CONDUIT	5.4	1.4735
TRMB05004-S 0.0140	TRMB05004-S	TRMB05003-S	CONDUIT	5.4	-13.5670
TRMB05005 0.0130	TRMB05005	TRMB05003	CONDUIT	23.4	2.4773
TRMB05005-S 0.0140	TRMB05005-S	TRMB05003-S	CONDUIT	23.4	3.9313
TRMB05006 0.0150	TRMB05006	TRMB05003	CONDUIT	254.7	0.5262
TRMB05006-S 0.0140	TRMB05006-S	TRMB05003-S	CONDUIT	254.7	0.8403
TRMB05008 0.0130	TRMB05008	TRMB05006	CONDUIT	143.5	2.0350
TRMB05008-S 0.0140	TRMB05008-S	TRMB05006-S	CONDUIT	143.5	-1.2403
TRMB05009_1 0.0150	TRMB05009	TRMB05009_DS	CONDUIT	111.0	1.0629
TRMB05009_1-S 0.0140	TRMB05009-S	TRMB05009_DS-S	CONDUIT	111.0	0.5314
TRMB05009_2 0.0150	TRMB05009_DS	TRMB05006	CONDUIT	288.9	1.0628
TRMB05009_2-S 0.0140	TRMB05009_DS-S	TRMB05006-S	CONDUIT	288.9	0.5400
TRMB05010 0.0130	TRMB05010	TRMB05006	CONDUIT	27.1	20.4438
TRMB05010-S 0.0140	TRMB05010-S	TRMB05006-S	CONDUIT	27.1	-0.4804
TRMB05011 0.0130	TRMB05011	TRMB05010	CONDUIT	23.6	3.0986
TRMB05011-S 0.0140	TRMB05011-S	TRMB05010-S	CONDUIT	23.6	2.4615
TRMB05012 0.0130	TRMB05012	TRMB05011	CONDUIT	28.8	-0.3467
TRMB05012-S 0.0140	TRMB05012-S	TRMB05011-S	CONDUIT	28.8	-0.3467
TRMB05013 0.0130	TRMB05013	TRMB05009	CONDUIT	5.1	121.2552
TRMB05013-S 0.0140	TRMB05013-S	TRMB05009-S	CONDUIT	5.1	-8.8232
TRMB05014 0.0130	TRMB05014	TRMB05009	CONDUIT	16.2	22.7773
TRMB05014-S 0.0140	TRMB05014-S	TRMB05009-S	CONDUIT	16.2	-1.8510
TRMB05015 0.0150	TRMB05015	TRMB05009	CONDUIT	253.6	0.4101
TRMB05015-S 0.0140	TRMB05015-S	TRMB05009-S	CONDUIT	253.6	1.2384
TRMB05016 0.0130	TRMB05016	TRMB05015	CONDUIT	21.9	20.2672
TRMB05016-S 0.0140	TRMB05016-S	TRMB05015-S	CONDUIT	21.9	-1.0935
TRMB05017 0.0150	TRMB05017	TRMB05015	CONDUIT	51.2	0.3517

Existing Conditions (10-Year)

TRMB05017-S 0.0140	TRMB05017-S	TRMB05015-S	CONDUIT	51.2	2.0129
TRMB05018 0.0150	TRMB05018	TRMB05015	CONDUIT	19.6	22.4197
TRMB05018-S 0.0140	TRMB05018-S	TRMB05015-S	CONDUIT	19.6	-0.8159
TRMB05019 0.0130	TRMB05019	TRMB05016	CONDUIT	9.6	2.1835
TRMB05019-S 0.0140	TRMB05019-S	TRMB05016-S	CONDUIT	9.6	-3.0159
TRMB05020 0.0150	TRMB05020	TRMB05016	CONDUIT	17.5	2.1172
TRMB05020-S 0.0140	TRMB05020-S	TRMB05016-S	CONDUIT	17.5	-0.7437
TRMB05021 0.0130	TRMB05021	TRMB05019	CONDUIT	115.6	0.7354
TRMB05021-S 0.0140	TRMB05021-S	TRMB05019-S	CONDUIT	115.6	0.4759
TRMB05022 0.0150	TRMB05022	TRMB05018	CONDUIT	11.0	-2.1843
TRMB05022-S 0.0140	TRMB05022-S	TRMB05018-S	CONDUIT	11.0	-0.8190
TRMB05023 0.0150	TRMB05023	TRMB05022	CONDUIT	232.1	0.5645
TRMB05023-S 0.0140	TRMB05023-S	TRMB05022-S	CONDUIT	232.1	-1.2886
TRMB05025 0.0130	TRMB05025	TRMB05017	CONDUIT	10.8	84.3531
TRMB05025-S 0.0140	TRMB05025-S	TRMB05017-S	CONDUIT	10.8	-4.4447
TRMB05026 0.0130	TRMB05026	TRMB05043	CONDUIT	20.4	18.3123
TRMB05026-S 0.0140	TRMB05026-S	TRMB05043-S	CONDUIT	20.4	-0.7832
TRMB05027 0.0130	TRMB05027	TRMB05017	CONDUIT	13.0	57.3219
TRMB05027-S 0.0140	TRMB05027-S	TRMB05017-S	CONDUIT	13.0	-7.2441
TRMB05028 0.0130	TRMB05028	TRMB05021	CONDUIT	100.2	0.4692
TRMB05028-S 0.0140	TRMB05028-S	TRMB05021-S	CONDUIT	100.2	0.7687
TRMB05029 0.0130	TRMB05029	TRMB05021	CONDUIT	21.5	0.6964
TRMB05029-S 0.0140	TRMB05029-S	TRMB05021-S	CONDUIT	21.5	0.6964
TRMB05030 0.0130	TRMB05030	TRMB05028	CONDUIT	17.0	2.9355
TRMB05030-S 0.0140	TRMB05030-S	TRMB05028-S	CONDUIT	17.0	-1.4673
TRMB05031 0.0130	TRMB05031	TRMB05028	CONDUIT	37.1	3.6643
TRMB05031-S 0.0140	TRMB05031-S	TRMB05028-S	CONDUIT	37.1	-0.3231
TRMB05032 0.0130	TRMB05032	TRMB05028	CONDUIT	38.7	2.6359
TRMB05032-S 0.0140	TRMB05032-S	TRMB05028-S	CONDUIT	38.7	-0.2067
TRMB05033 0.0130	TRMB05033	TRMB05030	CONDUIT	21.9	0.0046
TRMB05033-S 0.0140	TRMB05033-S	TRMB05030-S	CONDUIT	21.9	0.0046

Existing Conditions (10-Year)

TRMB05034 0.0130	TRMB05034	TRMB05032	CONDUIT	21.7	0.6903
TRMB05034-S 0.0140	TRMB05034-S	TRMB05032-S	CONDUIT	21.7	0.6903
TRMB05035 0.0150	TRMB05035	TRMB05040	CONDUIT	16.2	24.8548
TRMB05035-S 0.0140	TRMB05035-S	TRMB05040-S	CONDUIT	16.2	-0.2468
TRMB05036 0.0130	TRMB05036	TRMB05035	CONDUIT	42.8	0.9344
TRMB05036-S 0.0140	TRMB05036-S	TRMB05035-S	CONDUIT	42.8	-0.8176
TRMB05037 0.0130	TRMB05037	TRMB05036	CONDUIT	21.3	3.9994
TRMB05037-S 0.0140	TRMB05037-S	TRMB05036-S	CONDUIT	21.3	0.9403
TRMB05038 0.0130	TRMB05038	TRMB05035	CONDUIT	41.3	1.4522
TRMB05038-S 0.0140	TRMB05038-S	TRMB05035-S	CONDUIT	41.3	-0.3630
TRMB05039 0.0130	TRMB05039	TRMB05038	CONDUIT	25.0	0.5993
TRMB05039-S 0.0140	TRMB05039-S	TRMB05038-S	CONDUIT	25.0	-0.7192
TRMB05040 0.0150	TRMB05040	TRMB05041	CONDUIT	280.1	0.6927
TRMB05040-S 0.0140	TRMB05040-S	TRMB05041-S	CONDUIT	280.1	1.2997
TRMB05041 0.0150	TRMB05041	TRMB05045	CONDUIT	31.1	0.7074
TRMB05041-S 0.0140	TRMB05041-S	TRMB05045-S	CONDUIT	31.1	-0.7396
TRMB05042 0.0130	TRMB05042	TRMB05026	CONDUIT	27.0	-1.3335
TRMB05042-S 0.0140	TRMB05042-S	TRMB05026-S	CONDUIT	27.0	-1.3335
TRMB05044 0.0130	TRMB05044	TRMB05045	CONDUIT	116.6	0.7635
TRMB05044-S 0.0140	TRMB05044-S	TRMB05045-S	CONDUIT	116.6	-1.1668
TRMB05045 0.0150	TRMB05045	TRMB05046	CONDUIT	298.8	1.1414
TRMB05045-S 0.0140	TRMB05045-S	TRMB05046-S	CONDUIT	298.8	1.6101
TRMB05046 0.0150	TRMB05046	TRMB05048	CONDUIT	11.9	3.7779
TRMB05046-S 0.0140	TRMB05046-S	TRMB05048-S	CONDUIT	11.9	-5.1242
TRMB05048 0.0150	TRMB05048	TRMB05047	CONDUIT	34.7	3.7512
CountrySideE_Ditch_Culvert_In-IC CountrySideE_Ditch_Culvert_In-S					
CountrySideE_Ditch_Culvert_In OUTLET					
JMTB01003-IC	JMTB01003-S	JMTB01003	OUTLET		
JMTB01004-IC	JMTB01004-S	JMTB01004	OUTLET		
JMTB01005-IC	JMTB01005-S	JMTB01005	OUTLET		
JMTB01006-IC	JMTB01006-S	JMTB01006	OUTLET		
JMTB01102-IC	JMTB01102-S	JMTB01102	OUTLET		
JMTB01103-IC	JMTB01103-S	JMTB01103	OUTLET		
JMTB01104-IC	JMTB01104-S	JMTB01104	OUTLET		
JMTB01105-IC	JMTB01105-S	JMTB01105	OUTLET		
PCTB01068_US-IC	PCTB01068_US-S	PCTB01068_US	OUTLET		
PCTB01068-IC	PCTB01068-S	PCTB01068	OUTLET		

Existing Conditions (10-Year)

PCTB02001-IC	PCTB02001-S	PCTB02001	OUTLET
PCTB02002-IC	PCTB02002-S	PCTB02002	OUTLET
PCTB02003-IC	PCTB02003-S	PCTB02003	OUTLET
PCTB02004-IC	PCTB02004-S	PCTB02004	OUTLET
PCTB02011-IC	PCTB02011-S	PCTB02011	OUTLET
PCTB02012-IC	PCTB02012-S	PCTB02012	OUTLET
PCTB02014-IC	PCTB02014-S	PCTB02014	OUTLET
PCTB02015-IC	PCTB02015-S	PCTB02015	OUTLET
PCTB02016-IC	PCTB02016-S	PCTB02016	OUTLET
PCTB02017-IC	PCTB02017-S	PCTB02017	OUTLET
PCTB02022-IC	PCTB02022-S	PCTB02022	OUTLET
PCTB02023-IC	PCTB02023-S	PCTB02023	OUTLET
PCTB02189-IC	PCTB02189-S	PCTB02189	OUTLET
PCTB02191_DS-IC	PCTB02191_DS-S	PCTB02191_DS	OUTLET
PCTB02191-IC	PCTB02191-S	PCTB02191	OUTLET
PCTB02207-IC	PCTB02207-S	PCTB02207	OUTLET
PCTB02209-IC	PCTB02209-S	PCTB02209	OUTLET
PCTB02229-IC	PCTB02229-S	PCTB02229	OUTLET
PCTB02231-IC	PCTB02231-S	PCTB02231	OUTLET
PCTB02235-IC	PCTB02235-S	PCTB02235	OUTLET
PCTB02237-IC	PCTB02237-S	PCTB02237	OUTLET
PCTB02257_1-IC	PCTB02257_1-S	PCTB02257_1	OUTLET
PCTB02257-IC	PCTB02257-S	PCTB02257	OUTLET
PCTB02260-IC	PCTB02260-S	PCTB02260	OUTLET
PCTB02262-IC	PCTB02262-S	PCTB02262	OUTLET
PCTB02275-IC	PCTB02275-S	PCTB02275	OUTLET
PCTB02276-IC	PCTB02276-S	PCTB02276	OUTLET
PCTB02278-IC	PCTB02278-S	PCTB02278	OUTLET
PCTB02280-IC	PCTB02280-S	PCTB02280	OUTLET
PCTB02281-IC	PCTB02281-S	PCTB02281	OUTLET
PCTB02282-IC	PCTB02282-S	PCTB02282	OUTLET
PCTB02283-IC	PCTB02283-S	PCTB02283	OUTLET
PCTB02284-IC	PCTB02284-S	PCTB02284	OUTLET
PCTB02292-IC	PCTB02292-S	PCTB02292	OUTLET
PCTB02294-IC	PCTB02294-S	PCTB02294	OUTLET
PCTB02295-IC	PCTB02295-S	PCTB02295	OUTLET
PCTB02297-IC	PCTB02297-S	PCTB02297	OUTLET
PCTB02302-IC	PCTB02302-S	PCTB02302	OUTLET
PCTB02303-IC	PCTB02303-S	PCTB02303	OUTLET
PCTB02304-IC	PCTB02304-S	PCTB02304	OUTLET
PCTB02312-IC	PCTB02312-S	PCTB02312	OUTLET
PCTB02329-IC	PCTB02329-S	PCTB02329	OUTLET
PCTB02330-IC	PCTB02330-S	PCTB02330	OUTLET
PCTB02331-IC	PCTB02331-S	PCTB02331	OUTLET
PCTB02332-IC	PCTB02332-S	PCTB02332	OUTLET
TRMB02002-IC	TRMB02002-S	TRMB02002	OUTLET
TRMB02003-IC	TRMB02003-S	TRMB02003	OUTLET
TRMB02006-IC	TRMB02006-S	TRMB02006	OUTLET
TRMB02009-IC	TRMB02009-S	TRMB02009	OUTLET
TRMB02012-IC	TRMB02012-S	TRMB02012	OUTLET
TRMB02015-IC	TRMB02015-S	TRMB02015	OUTLET
TRMB02016-IC	TRMB02016-S	TRMB02016	OUTLET
TRMB02018-IC	TRMB02018-S	TRMB02018	OUTLET
TRMB02022-IC	TRMB02022-S	TRMB02022	OUTLET
TRMB02023-IC	TRMB02023-S	TRMB02023	OUTLET
TRMB02030-IC	TRMB02030-S	TRMB02030	OUTLET
TRMB02032-IC	TRMB02032-S	TRMB02032	OUTLET
TRMB02033-IC	TRMB02033-S	TRMB02033	OUTLET
TRMB02034-IC	TRMB02034-S	TRMB02034	OUTLET
TRMB02035-IC	TRMB02035-S	TRMB02035	OUTLET
TRMB02044_DS-IC	TRMB02044_DS-S	TRMB02044_DS	OUTLET
TRMB02044-IC	TRMB02044-S	TRMB02044	OUTLET

Existing Conditions (10-Year)

TRMB02045-IC	TRMB02045-S	TRMB02045	OUTLET
TRMB02046-IC	TRMB02046-S	TRMB02046	OUTLET
TRMB02047-IC	TRMB02047-S	TRMB02047	OUTLET
TRMB02048-IC	TRMB02048-S	TRMB02048	OUTLET
TRMB02049-IC	TRMB02049-S	TRMB02049	OUTLET
TRMB02050-IC	TRMB02050-S	TRMB02050	OUTLET
TRMB02051-IC	TRMB02051-S	TRMB02051	OUTLET
TRMB02052-IC	TRMB02052-S	TRMB02052	OUTLET
TRMB02056-IC	TRMB02056-S	TRMB02056	OUTLET
TRMB02057-IC	TRMB02057-S	TRMB02057	OUTLET
TRMB02060-IC	TRMB02060-S	TRMB02060	OUTLET
TRMB02063-IC	TRMB02063-S	TRMB02063	OUTLET
TRMB02064-IC	TRMB02064-S	TRMB02064	OUTLET
TRMB02067-IC	TRMB02067-S	TRMB02067	OUTLET
TRMB02068-IC	TRMB02068-S	TRMB02068	OUTLET
TRMB02069-IC	TRMB02069-S	TRMB02069	OUTLET
TRMB02070-IC	TRMB02070-S	TRMB02070	OUTLET
TRMB03016-IC	TRMB03016-S	TRMB03016	OUTLET
TRMB03022-IC	TRMB03022-S	TRMB03022	OUTLET
TRMB03025-IC	TRMB03025-S	TRMB03025	OUTLET
TRMB03028-IC	TRMB03028-S	TRMB03028	OUTLET
TRMB03029-IC	TRMB03029-S	TRMB03029	OUTLET
TRMB03030-IC	TRMB03030-S	TRMB03030	OUTLET
TRMB03031-IC	TRMB03031-S	TRMB03031	OUTLET
TRMB03032-IC	TRMB03032-S	TRMB03032	OUTLET
TRMB03033-IC	TRMB03033-S	TRMB03033	OUTLET
TRMB03034-IC	TRMB03034-S	TRMB03034	OUTLET
TRMB03035-IC	TRMB03035-S	TRMB03035	OUTLET
TRMB03036-IC	TRMB03036-S	TRMB03036	OUTLET
TRMB03037-IC	TRMB03037-S	TRMB03037	OUTLET
TRMB03038-IC	TRMB03038-S	TRMB03038	OUTLET
TRMB03039-IC	TRMB03039-S	TRMB03039	OUTLET
TRMB03042-IC	TRMB03042-S	TRMB03042	OUTLET
TRMB03043-IC	TRMB03043-S	TRMB03043	OUTLET
TRMB03044-IC	TRMB03044-S	TRMB03044	OUTLET
TRMB03049-IC	TRMB03049-S	TRMB03049	OUTLET
TRMB03051-IC	TRMB03051-S	TRMB03051	OUTLET
TRMB03052-IC	TRMB03052-S	TRMB03052	OUTLET
TRMB03054-IC	TRMB03054-S	TRMB03054	OUTLET
TRMB03055-IC	TRMB03055-S	TRMB03055	OUTLET
TRMB03063-IC	TRMB03063-S	TRMB03063	OUTLET
TRMB03065-IC	TRMB03065-S	TRMB03065	OUTLET
TRMB03067-IC	TRMB03067-S	TRMB03067	OUTLET
TRMB03068-IC	TRMB03068-S	TRMB03068	OUTLET
TRMB03069-IC	TRMB03069-S	TRMB03069	OUTLET
TRMB03070-IC	TRMB03070-S	TRMB03070	OUTLET
TRMB03072-IC	TRMB03072-S	TRMB03072	OUTLET
TRMB03073-IC	TRMB03073-S	TRMB03073	OUTLET
TRMB03083-IC	TRMB03083-S	TRMB03083	OUTLET
TRMB03084-IC	TRMB03084-S	TRMB03084	OUTLET
TRMB03087-IC	TRMB03087-S	TRMB03087	OUTLET
TRMB03088-IC	TRMB03088-S	TRMB03088	OUTLET
TRMB03089-IC	TRMB03089-S	TRMB03089	OUTLET
TRMB03090-IC	TRMB03090-S	TRMB03090	OUTLET
TRMB03091-IC	TRMB03091-S	TRMB03091	OUTLET
TRMB03092-IC	TRMB03092-S	TRMB03092	OUTLET
TRMB03094-IC	TRMB03094-S	TRMB03094	OUTLET
TRMB03095-IC	TRMB03095-S	TRMB03095	OUTLET
TRMB03096-IC	TRMB03096-S	TRMB03096	OUTLET
TRMB03097-IC	TRMB03097-S	TRMB03097	OUTLET
TRMB03101-IC	TRMB03101-S	TRMB03101	OUTLET
TRMB03102-IC	TRMB03102-S	TRMB03102	OUTLET

Existing Conditions (10-Year)

TRMB03103-IC	TRMB03103-S	TRMB03103	OUTLET
TRMB03111-IC	TRMB03111-S	TRMB03111	OUTLET
TRMB03132-IC	TRMB03132-S	TRMB03132	OUTLET
TRMB04089-IC	TRMB04089-S	TRMB04089	OUTLET
TRMB05002-IC	TRMB05002-S	TRMB05002	OUTLET
TRMB05003-IC	TRMB05003-S	TRMB05003	OUTLET
TRMB05004-IC	TRMB05004-S	TRMB05004	OUTLET
TRMB05005-IC	TRMB05005-S	TRMB05005	OUTLET
TRMB05006-IC	TRMB05006-S	TRMB05006	OUTLET
TRMB05008-IC	TRMB05008-S	TRMB05008	OUTLET
TRMB05009_DS-IC	TRMB05009_DS-S	TRMB05009_DS	OUTLET
TRMB05009-IC	TRMB05009-S	TRMB05009	OUTLET
TRMB05010-IC	TRMB05010-S	TRMB05010	OUTLET
TRMB05011-IC	TRMB05011-S	TRMB05011	OUTLET
TRMB05012-IC	TRMB05012-S	TRMB05012	OUTLET
TRMB05013-IC	TRMB05013-S	TRMB05013	OUTLET
TRMB05014-IC	TRMB05014-S	TRMB05014	OUTLET
TRMB05015-IC	TRMB05015-S	TRMB05015	OUTLET
TRMB05016-IC	TRMB05016-S	TRMB05016	OUTLET
TRMB05017_US-IC	TRMB05017_US-S	TRMB05017_US	OUTLET
TRMB05017-IC	TRMB05017-S	TRMB05017	OUTLET
TRMB05018-IC	TRMB05018-S	TRMB05018	OUTLET
TRMB05019-IC	TRMB05019-S	TRMB05019	OUTLET
TRMB05020-IC	TRMB05020-S	TRMB05020	OUTLET
TRMB05021-IC	TRMB05021-S	TRMB05021	OUTLET
TRMB05022-IC	TRMB05022-S	TRMB05022	OUTLET
TRMB05023-IC	TRMB05023-S	TRMB05023	OUTLET
TRMB05025-IC	TRMB05025-S	TRMB05025	OUTLET
TRMB05026-IC	TRMB05026-S	TRMB05026	OUTLET
TRMB05027-IC	TRMB05027-S	TRMB05027	OUTLET
TRMB05028-IC	TRMB05028-S	TRMB05028	OUTLET
TRMB05029-IC	TRMB05029-S	TRMB05029	OUTLET
TRMB05030-IC	TRMB05030-S	TRMB05030	OUTLET
TRMB05031-IC	TRMB05031-S	TRMB05031	OUTLET
TRMB05032-IC	TRMB05032-S	TRMB05032	OUTLET
TRMB05033-IC	TRMB05033-S	TRMB05033	OUTLET
TRMB05034-IC	TRMB05034-S	TRMB05034	OUTLET
TRMB05035-IC	TRMB05035-S	TRMB05035	OUTLET
TRMB05036-IC	TRMB05036-S	TRMB05036	OUTLET
TRMB05037-IC	TRMB05037-S	TRMB05037	OUTLET
TRMB05038-IC	TRMB05038-S	TRMB05038	OUTLET
TRMB05039-IC	TRMB05039-S	TRMB05039	OUTLET
TRMB05040-IC	TRMB05040-S	TRMB05040	OUTLET
TRMB05041-IC	TRMB05041-S	TRMB05041	OUTLET
TRMB05042-IC	TRMB05042-S	TRMB05042	OUTLET
TRMB05043-IC	TRMB05043-S	TRMB05043	OUTLET
TRMB05044-IC	TRMB05044-S	TRMB05044	OUTLET
TRMB05045-IC	TRMB05045-S	TRMB05045	OUTLET
TRMB05046-IC	TRMB05046-S	TRMB05046	OUTLET
TRMB05048-IC	TRMB05048-S	TRMB05048	OUTLET

 Cross Section Summary

Full Conduit Flow	Shape	Full Depth	Full Area	Hyd. Rad.	Max. Width	No. of Barrels
-------------------------	-------	---------------	--------------	--------------	---------------	-------------------

Existing Conditions (10-Year)

2231.53	C1	TRAPEZOIDAL	7.00	161.07	3.76	40.02	1
4.99	C14	PARABOLIC	1.50	1.50	0.43	1.50	1
86.08	C2_1	CIRCULAR	2.50	4.91	0.63	2.50	1
272.36	C2_1-S	Transect1	0.75	21.13	0.48	55.00	1
875.98	C2_2	TRAPEZOIDAL	7.50	225.00	4.64	45.00	1
126.19	C3	Transect1	0.75	21.13	0.48	55.00	1
23.98	C9	CIRCULAR	1.25	1.23	0.31	1.25	1
516.16	C9-S	Transect1	0.75	21.13	0.48	55.00	1
17.44	CountrySideE_Ditch	TRAPEZOIDAL	2.00	8.00	1.04	6.00	1
2	CountrySideE_Ditch_Culvert	CIRCULAR		4.00	12.57	1.00	4.00
1	CountrySideE_Ditch_Culvert-S	Transect1		0.75	21.13	0.48	55.00
14.49	JMTB01003	CIRCULAR	2.00	3.14	0.50	2.00	1
342.19	JMTB01003-S	Transect1	0.75	21.13	0.48	55.00	1
7.73	JMTB01004	CIRCULAR	1.50	1.77	0.38	1.50	1
122.05	JMTB01004-S	Transect1	0.75	21.13	0.48	55.00	1
7.17	JMTB01005	CIRCULAR	1.75	2.41	0.44	1.75	1
65.31	JMTB01005-S	Transect1	0.75	21.13	0.48	55.00	1
20.68	JMTB01102	CIRCULAR	2.00	3.14	0.50	2.00	1
219.17	JMTB01102-S	Transect1	0.75	21.13	0.48	55.00	1
11.01	JMTB01103	CIRCULAR	2.00	3.14	0.50	2.00	1
28.68	JMTB01103_1	PARABOLIC	2.50	6.67	0.99	4.00	1
143.11	JMTB01103-S	Transect1	0.75	21.13	0.48	55.00	1
6.42	JMTB01104	CIRCULAR	1.25	1.23	0.31	1.25	1
123.66	JMTB01104-S	Transect1	0.75	21.13	0.48	55.00	1
29.89	PCTB01068	CIRCULAR	3.00	7.07	0.75	3.00	2
31.38	PCTB01068_US	CIRCULAR	3.00	7.07	0.75	3.00	1
22.83	PCTB01068_US-S	Transect1	0.75	21.13	0.48	55.00	1
188.37	PCTB02001	TRAPEZOIDAL	2.10	64.05	1.55	41.00	1
14.93	PCTB02002	CIRCULAR	2.00	3.14	0.50	2.00	1
185.94	PCTB02002-S	Transect1	0.75	21.13	0.48	55.00	1
10.40	PCTB02003	CIRCULAR	2.00	3.14	0.50	2.00	1

Existing Conditions (10-Year)

73.44	PCTB02003-S	Transect1	0.75	21.13	0.48	55.00	1
22.17	PCTB02008	CIRCULAR	3.00	7.07	0.75	3.00	2
131.68	PCTB02011	CIRCULAR	4.00	12.57	1.00	4.00	1
128.84	PCTB02011_1	TRAPEZOIDAL	3.50	38.47	2.18	14.98	1
216.69	PCTB02011-S	Transect1	0.75	21.13	0.48	55.00	1
65.39	PCTB02014	CIRCULAR	3.00	7.07	0.75	3.00	1
142.27	PCTB02014_1	TRAPEZOIDAL	3.50	35.02	2.03	15.01	1
167.20	PCTB02014-S	Transect1	0.75	21.13	0.48	55.00	1
7.89	PCTB02016	CIRCULAR	1.50	1.77	0.38	1.50	1
24.49	PCTB02016-S	Transect1	0.75	21.13	0.48	55.00	1
31.64	PCTB02020	TRAPEZOIDAL	1.00	12.50	0.81	15.00	1
5.15	PCTB02021	TRAPEZOIDAL	1.00	7.50	0.72	10.00	1
1.69	PCTB02022	CIRCULAR	1.25	1.23	0.31	1.25	1
48.25	PCTB02022-S	Transect1	0.75	21.13	0.48	55.00	1
3.13	PCTB02023	CIRCULAR	1.50	1.77	0.38	1.50	1
119.59	PCTB02023-S	Transect1	0.75	21.13	0.48	55.00	1
2537.96	PCTB02076	TRAPEZOIDAL	7.00	161.07	3.76	40.02	1
21.94	PCTB02080	HORIZ_ELLIPSE	6.70	56.97	2.05	8.00	1
456.69	PCTB02160	TRAPEZOIDAL	7.00	161.07	3.76	40.02	1
3971.77	PCTB02172	TRAPEZOIDAL	7.00	161.07	3.76	40.02	1
29.03	PCTB02189	CIRCULAR	2.50	4.91	0.63	2.50	1
79.29	PCTB02189-S	Transect1	0.75	21.13	0.48	55.00	1
86.15	PCTB02208	CIRCULAR	4.00	12.57	1.00	4.00	1
95.77	PCTB02208-S	Transect1	0.75	21.13	0.48	55.00	1
34.75	PCTB02231	CIRCULAR	4.00	12.57	1.00	4.00	2
43.58	PCTB02231-S	Transect1	0.75	21.13	0.48	55.00	1
56.05	PCTB02237	CIRCULAR	4.00	12.57	1.00	4.00	2
62.65	PCTB02237-S	Transect1	0.75	21.13	0.48	55.00	1
571.89	PCTB02239	TRIANGULAR	3.50	43.75	1.69	25.00	1
644.39	PCTB02240	TRAPEZOIDAL	4.00	120.00	2.89	40.00	1
192.32	PCTB02259_1	TRAPEZOIDAL	4.00	120.00	2.89	40.00	1

Existing Conditions (10-Year)

PCTB02259_2 422.62	TRAPEZOIDAL	4.00	120.00	2.89	40.00	1
PCTB02260 47.36	CIRCULAR	4.00	12.57	1.00	4.00	2
PCTB02260-S 64.48	Transect1	0.75	21.13	0.48	55.00	1
PCTB02264 834.98	TRAPEZOIDAL	4.00	140.00	2.74	50.00	1
PCTB02274 539.91	PARABOLIC	4.00	53.33	2.43	20.00	1
PCTB02275 52.42	CIRCULAR	3.50	9.62	0.88	3.50	1
PCTB02275-S 305.25	Transect1	0.75	21.13	0.48	55.00	1
PCTB02276 9.47	CIRCULAR	3.50	9.62	0.88	3.50	1
PCTB02276-S 42.91	Transect1	0.75	21.13	0.48	55.00	1
PCTB02278 13.28	CIRCULAR	2.00	3.14	0.50	2.00	1
PCTB02278-S 134.35	Transect1	0.75	21.13	0.48	55.00	1
PCTB02279 721.01	TRAPEZOIDAL	4.00	72.00	2.30	30.00	1
PCTB02280 5.02	CIRCULAR	1.25	1.23	0.31	1.25	1
PCTB02280-S 73.87	Transect1	0.75	21.13	0.48	55.00	1
PCTB02281 6.77	CIRCULAR	1.25	1.23	0.31	1.25	1
PCTB02281-S 121.65	Transect1	0.75	21.13	0.48	55.00	1
PCTB02282 6.40	CIRCULAR	1.25	1.23	0.31	1.25	1
PCTB02282-S 153.84	Transect1	0.75	21.13	0.48	55.00	1
PCTB02283 4.26	CIRCULAR	1.25	1.23	0.31	1.25	1
PCTB02283-S 345.17	Transect1	0.75	21.13	0.48	55.00	1
PCTB02284 4.28	CIRCULAR	1.25	1.23	0.31	1.25	1
PCTB02284-S 101.04	Transect1	0.75	21.13	0.48	55.00	1
PCTB02292 618.28	TRAPEZOIDAL	7.50	176.06	4.47	34.95	1
PCTB02294 235.10	CIRCULAR	5.00	19.63	1.25	5.00	1
PCTB02294-S 144.14	Transect1	0.75	21.13	0.48	55.00	1
PCTB02295 700.47	TRAPEZOIDAL	10.00	200.00	5.35	25.00	1
PCTB02297 3.24	CIRCULAR	1.25	1.23	0.31	1.25	1
PCTB02297-S 45.68	Transect1	0.75	21.13	0.48	55.00	1
PCTB02299 2528.04	TRAPEZOIDAL	9.00	162.18	4.79	25.04	1
PCTB02300 3361.85	TRAPEZOIDAL	9.00	202.47	5.27	29.99	1
PCTB02301 267.24	TRAPEZOIDAL	5.00	35.00	2.23	10.00	1

Existing Conditions (10-Year)

PCTB02302 476.90	TRAPEZOIDAL	6.00	135.60	3.58	35.20	1
PCTB02303 155.43	CIRCULAR	5.00	19.63	1.25	5.00	1
PCTB02303-S 287.52	Transect1	0.75	21.13	0.48	55.00	1
PCTB02304 254.90	CIRCULAR	5.00	19.63	1.25	5.00	1
PCTB02304-S 410.56	Transect1	0.75	21.13	0.48	55.00	1
PCTB02312 691.12	TRAPEZOIDAL	6.00	150.00	3.55	40.00	1
PCTB02329 2.63	CIRCULAR	1.50	1.77	0.38	1.50	1
PCTB02329-S 116.57	Transect1	0.75	21.13	0.48	55.00	1
PCTB02330 3.19	CIRCULAR	1.50	1.77	0.38	1.50	1
PCTB02330-S 105.59	Transect1	0.75	21.13	0.48	55.00	1
PCTB02331 0.94	CIRCULAR	1.50	1.77	0.38	1.50	1
PCTB02331-S 79.91	Transect1	0.75	21.13	0.48	55.00	1
TRMB02002 102.58	CIRCULAR	3.00	7.07	0.75	3.00	1
TRMB02003 158.87	CIRCULAR	3.00	7.07	0.75	3.00	1
TRMB02003-S 444.01	Transect1	0.75	21.13	0.48	55.00	1
TRMB02006 42.79	CIRCULAR	2.50	4.91	0.63	2.50	1
TRMB02006-S 160.65	Transect1	0.75	21.13	0.48	55.00	1
TRMB02009 67.77	CIRCULAR	2.50	4.91	0.63	2.50	1
TRMB02009-S 267.62	Transect1	0.75	21.13	0.48	55.00	1
TRMB02012 37.10	CIRCULAR	2.50	4.91	0.63	2.50	1
TRMB02012-S 13.68	Transect1	0.75	21.13	0.48	55.00	1
TRMB02015 32.63	CIRCULAR	2.50	4.91	0.63	2.50	1
TRMB02015-S 131.47	Transect1	0.75	21.13	0.48	55.00	1
TRMB02016 21.02	CIRCULAR	2.50	4.91	0.63	2.50	1
TRMB02016-S 77.14	Transect1	0.75	21.13	0.48	55.00	1
TRMB02018 13.96	CIRCULAR	2.00	3.14	0.50	2.00	1
TRMB02018-S 137.42	Transect1	0.75	21.13	0.48	55.00	1
TRMB02022 12.28	CIRCULAR	2.00	3.14	0.50	2.00	1
TRMB02022-S 29.39	Transect1	0.75	21.13	0.48	55.00	1
TRMB02023 21.63	CIRCULAR	2.00	3.14	0.50	2.00	1
TRMB02023-S 70.18	Transect1	0.75	21.13	0.48	55.00	1

Existing Conditions (10-Year)

10.00	TRMB02030	CIRCULAR	1.50	1.77	0.38	1.50	1
27.74	TRMB02030-S	Transect1	0.75	21.13	0.48	55.00	1
9.19	TRMB02032	CIRCULAR	1.50	1.77	0.38	1.50	1
175.71	TRMB02032-S	Transect1	0.75	21.13	0.48	55.00	1
16.60	TRMB02033	CIRCULAR	1.50	1.77	0.38	1.50	1
60.66	TRMB02033-S	Transect1	0.75	21.13	0.48	55.00	1
4.83	TRMB02034	CIRCULAR	1.00	0.79	0.25	1.00	1
135.50	TRMB02034-S	Transect1	0.75	21.13	0.48	55.00	1
5.32	TRMB02035	CIRCULAR	1.00	0.79	0.25	1.00	1
161.99	TRMB02035-S	Transect1	0.75	21.13	0.48	55.00	1
22.09	TRMB02044_1	CIRCULAR	2.00	3.14	0.50	2.00	1
121.23	TRMB02044_1-S	Transect1	0.75	21.13	0.48	55.00	1
5.70	TRMB02044_2	CIRCULAR	2.00	3.14	0.50	2.00	1
139.71	TRMB02044_2-S	Transect1	0.75	21.13	0.48	55.00	1
13.74	TRMB02045	CIRCULAR	2.00	3.14	0.50	2.00	1
167.97	TRMB02045-S	Transect1	0.75	21.13	0.48	55.00	1
39.63	TRMB02046	CIRCULAR	1.50	1.77	0.38	1.50	1
114.86	TRMB02046-S	Transect1	0.75	21.13	0.48	55.00	1
18.84	TRMB02047	CIRCULAR	1.50	1.77	0.38	1.50	1
83.06	TRMB02047-S	Transect1	0.75	21.13	0.48	55.00	1
4.50	TRMB02048	CIRCULAR	1.00	0.79	0.25	1.00	1
206.84	TRMB02048-S	Transect1	0.75	21.13	0.48	55.00	1
4.40	TRMB02049	CIRCULAR	1.00	0.79	0.25	1.00	1
67.29	TRMB02049-S	Transect1	0.75	21.13	0.48	55.00	1
7.46	TRMB02050	CIRCULAR	2.00	3.14	0.50	2.00	1
148.87	TRMB02050-S	Transect1	0.75	21.13	0.48	55.00	1
7.42	TRMB02051	CIRCULAR	2.00	3.14	0.50	2.00	1
118.18	TRMB02051-S	Transect1	0.75	21.13	0.48	55.00	1
20.03	TRMB02052	CIRCULAR	2.00	3.14	0.50	2.00	1
96.87	TRMB02052-S	Transect1	0.75	21.13	0.48	55.00	1
20.01	TRMB02056	CIRCULAR	2.00	3.14	0.50	2.00	1

Existing Conditions (10-Year)

TRMB02056-S 193.57	Transect1	0.75	21.13	0.48	55.00	1
TRMB02057 19.45	CIRCULAR	2.00	3.14	0.50	2.00	1
TRMB02057-S 123.46	Transect1	0.75	21.13	0.48	55.00	1
TRMB02060 18.96	CIRCULAR	2.00	3.14	0.50	2.00	1
TRMB02060-S 195.68	Transect1	0.75	21.13	0.48	55.00	1
TRMB02063 17.07	CIRCULAR	1.50	1.77	0.38	1.50	1
TRMB02063-S 144.70	Transect1	0.75	21.13	0.48	55.00	1
TRMB02064 8.75	CIRCULAR	1.50	1.77	0.38	1.50	1
TRMB02064-S 116.56	Transect1	0.75	21.13	0.48	55.00	1
TRMB02067 2.79	CIRCULAR	1.25	1.23	0.31	1.25	1
TRMB02067-S 163.36	Transect1	0.75	21.13	0.48	55.00	1
TRMB02068 4.45	CIRCULAR	1.25	1.23	0.31	1.25	1
TRMB02068-S 161.17	Transect1	0.75	21.13	0.48	55.00	1
TRMB02069 6.50	CIRCULAR	1.25	1.23	0.31	1.25	1
TRMB02069-S 178.71	Transect1	0.75	21.13	0.48	55.00	1
TRMB02070 4.21	CIRCULAR	1.25	1.23	0.31	1.25	1
TRMB02070-S 104.17	Transect1	0.75	21.13	0.48	55.00	1
TRMB03016 46.55	CIRCULAR	2.50	4.91	0.63	2.50	1
TRMB03022 20.73	TRAPEZOIDAL	1.30	2.67	0.61	3.10	1
TRMB03025 44.98	CIRCULAR	2.00	3.14	0.50	2.00	1
TRMB03025-S 496.49	Transect1	0.75	21.13	0.48	55.00	1
TRMB03026 15.18	CIRCULAR	1.00	0.79	0.25	1.00	1
TRMB03027 3.72	CIRCULAR	1.00	0.79	0.25	1.00	1
TRMB03028 4.47	CIRCULAR	2.00	3.14	0.50	2.00	1
TRMB03028-S 223.19	Transect1	0.75	21.13	0.48	55.00	1
TRMB03029 24.25	CIRCULAR	2.00	3.14	0.50	2.00	1
TRMB03029-S 145.37	Transect1	0.75	21.13	0.48	55.00	1
TRMB03030 21.63	CIRCULAR	2.00	3.14	0.50	2.00	1
TRMB03030-S 131.83	Transect1	0.75	21.13	0.48	55.00	1
TRMB03031 2547.14	TRAPEZOIDAL	6.00	104.99	3.21	30.00	1
TRMB03032 19.94	CIRCULAR	2.00	3.14	0.50	2.00	1

Existing Conditions (10-Year)

TRMB03032-S	Transect1	0.75	21.13	0.48	55.00	1
121.82						
TRMB03033	CIRCULAR	1.25	1.23	0.31	1.25	1
10.43						
TRMB03033-S	Transect1	0.75	21.13	0.48	55.00	1
198.53						
TRMB03034	CIRCULAR	1.00	0.79	0.25	1.00	1
6.28						
TRMB03034-S	Transect1	0.75	21.13	0.48	55.00	1
123.52						
TRMB03035	CIRCULAR	1.25	1.23	0.31	1.25	1
64.76						
TRMB03035-S	Transect1	0.75	21.13	0.48	55.00	1
18.11						
TRMB03036	CIRCULAR	2.00	3.14	0.50	2.00	1
13.42						
TRMB03036-S	Transect1	0.75	21.13	0.48	55.00	1
97.32						
TRMB03037	CIRCULAR	1.00	0.79	0.25	1.00	1
4.02						
TRMB03037-S	Transect1	0.75	21.13	0.48	55.00	1
135.68						
TRMB03038	CIRCULAR	1.00	0.79	0.25	1.00	1
13.65						
TRMB03038-S	Transect1	0.75	21.13	0.48	55.00	1
254.64						
TRMB03039	CIRCULAR	2.00	3.14	0.50	2.00	1
23.59						
TRMB03039-S	Transect1	0.75	21.13	0.48	55.00	1
89.57						
TRMB03042	CIRCULAR	1.25	1.23	0.31	1.25	1
11.51						
TRMB03042-S	Transect1	0.75	21.13	0.48	55.00	1
228.36						
TRMB03043	CIRCULAR	2.00	3.14	0.50	2.00	1
13.81						
TRMB03043-S	Transect1	0.75	21.13	0.48	55.00	1
97.64						
TRMB03044	CIRCULAR	1.50	1.77	0.38	1.50	1
12.37						
TRMB03044-S	Transect1	0.75	21.13	0.48	55.00	1
152.04						
TRMB03049	CIRCULAR	1.25	1.23	0.31	1.25	1
9.29						
TRMB03049-S	Transect1	0.75	21.13	0.48	55.00	1
278.13						
TRMB03051	CIRCULAR	2.00	3.14	0.50	2.00	1
53.17						
TRMB03051-S	Transect1	0.75	21.13	0.48	55.00	1
216.99						
TRMB03052	CIRCULAR	1.00	0.79	0.25	1.00	1
8.64						
TRMB03052-S	Transect1	0.75	21.13	0.48	55.00	1
120.68						
TRMB03054	CIRCULAR	2.00	3.14	0.50	2.00	1
5.51						
TRMB03054-S	Transect1	0.75	21.13	0.48	55.00	1
48.75						
TRMB03055	CIRCULAR	1.25	1.23	0.31	1.25	1
1.77						
TRMB03055-S	Transect1	0.75	21.13	0.48	55.00	1
26.06						

Existing Conditions (10-Year)

TRMB03063	CIRCULAR	1.50	1.77	0.38	1.50	1
10.65						
TRMB03063-S	Transect1	0.75	21.13	0.48	55.00	1
144.11						
TRMB03065	CIRCULAR	3.00	7.07	0.75	3.00	1
76.32						
TRMB03067	CIRCULAR	1.00	0.79	0.25	1.00	1
17.70						
TRMB03067-S	Transect1	0.75	21.13	0.48	55.00	1
443.26						
TRMB03068	CIRCULAR	1.50	1.77	0.38	1.50	1
25.52						
TRMB03068-S	Transect1	0.75	21.13	0.48	55.00	1
347.64						
TRMB03069	CIRCULAR	3.00	7.07	0.75	3.00	1
83.52						
TRMB03069-S	Transect1	0.75	21.13	0.48	55.00	1
102.80						
TRMB03070	CIRCULAR	3.00	7.07	0.75	3.00	1
81.31						
TRMB03070-S	Transect1	0.75	21.13	0.48	55.00	1
53.76						
TRMB03072	CIRCULAR	3.00	7.07	0.75	3.00	1
109.80						
TRMB03072-S	Transect1	0.75	21.13	0.48	55.00	1
249.36						
TRMB03073	CIRCULAR	1.25	1.23	0.31	1.25	1
18.02						
TRMB03073-S	Transect1	0.75	21.13	0.48	55.00	1
294.21						
TRMB03083	CIRCULAR	2.50	4.91	0.63	2.50	1
68.09						
TRMB03083-S	Transect1	0.75	21.13	0.48	55.00	1
185.20						
TRMB03084	CIRCULAR	1.50	1.77	0.38	1.50	1
4.94						
TRMB03084-S	Transect1	0.75	21.13	0.48	55.00	1
205.56						
TRMB03087	CIRCULAR	2.50	4.91	0.63	2.50	1
13.75						
TRMB03087-S	Transect1	0.75	21.13	0.48	55.00	1
205.26						
TRMB03088	CIRCULAR	3.00	7.07	0.75	3.00	1
81.45						
TRMB03088-S	Transect1	0.75	21.13	0.48	55.00	1
210.63						
TRMB03089	CIRCULAR	3.00	7.07	0.75	3.00	1
105.61						
TRMB03089-S	Transect1	0.75	21.13	0.48	55.00	1
37.95						
TRMB03090	CIRCULAR	3.00	7.07	0.75	3.00	1
73.99						
TRMB03090-S	Transect1	0.75	21.13	0.48	55.00	1
339.72						
TRMB03091	CIRCULAR	3.00	7.07	0.75	3.00	1
80.72						
TRMB03091-S	Transect1	0.75	21.13	0.48	55.00	1
211.36						
TRMB03092	CIRCULAR	1.25	1.23	0.31	1.25	1
16.34						
TRMB03092-S	Transect1	0.75	21.13	0.48	55.00	1
210.69						

Existing Conditions (10-Year)

TRMB03094	CIRCULAR	3.00	7.07	0.75	3.00	1
72.90						
TRMB03094-S	Transect1	0.75	21.13	0.48	55.00	1
142.50						
TRMB03095	CIRCULAR	1.25	1.23	0.31	1.25	1
39.30						
TRMB03095-S	Transect1	0.75	21.13	0.48	55.00	1
14.62						
TRMB03096	CIRCULAR	3.00	7.07	0.75	3.00	1
28.25						
TRMB03096-S	Transect1	0.75	21.13	0.48	55.00	1
331.55						
TRMB03097	CIRCULAR	1.25	1.23	0.31	1.25	1
15.39						
TRMB03097-S	Transect1	0.75	21.13	0.48	55.00	1
304.83						
TRMB03101	CIRCULAR	1.50	1.77	0.38	1.50	1
69.49						
TRMB03101-S	Transect1	0.75	21.13	0.48	55.00	1
385.64						
TRMB03102	CIRCULAR	3.00	7.07	0.75	3.00	1
88.49						
TRMB03102-S	Transect1	0.75	21.13	0.48	55.00	1
229.99						
TRMB03103	CIRCULAR	3.00	7.07	0.75	3.00	1
114.19						
TRMB03103-S	Transect1	0.75	21.13	0.48	55.00	1
259.09						
TRMB03111	CIRCULAR	2.00	3.14	0.50	2.00	1
39.07						
TRMB03111-S	Transect1	0.75	21.13	0.48	55.00	1
176.15						
TRMB03132	CIRCULAR	1.50	1.77	0.38	1.50	1
14.93						
TRMB03132-S	Transect1	0.75	21.13	0.48	55.00	1
271.42						
TRMB04089_1	CIRCULAR	3.50	9.62	0.88	3.50	1
47.19						
TRMB04089_1-S	Transect1	0.75	21.13	0.48	55.00	1
128.01						
TRMB04089_2	CIRCULAR	3.50	9.62	0.88	3.50	1
47.04						
TRMB04089_2-S	Transect1	0.75	21.13	0.48	55.00	1
127.78						
TRMB05002	CIRCULAR	3.50	9.62	0.88	3.50	1
487.84						
TRMB05003	CIRCULAR	3.50	9.62	0.88	3.50	1
105.49						
TRMB05003-S	Transect1	0.75	21.13	0.48	55.00	1
273.49						
TRMB05004	CIRCULAR	1.25	1.23	0.31	1.25	1
7.84						
TRMB05004-S	Transect1	0.75	21.13	0.48	55.00	1
509.74						
TRMB05005	CIRCULAR	1.25	1.23	0.31	1.25	1
10.17						
TRMB05005-S	Transect1	0.75	21.13	0.48	55.00	1
274.39						
TRMB05006	CIRCULAR	3.50	9.62	0.88	3.50	1
63.25						
TRMB05006-S	Transect1	0.75	21.13	0.48	55.00	1
126.86						

Existing Conditions (10-Year)

TRMB05008	CIRCULAR	1.25	1.23	0.31	1.25	1
9.22						
TRMB05008-S	Transect1	0.75	21.13	0.48	55.00	1
154.13						
TRMB05009_1	CIRCULAR	3.50	9.62	0.88	3.50	1
89.90						
TRMB05009_1-S	Transect1	0.75	21.13	0.48	55.00	1
100.89						
TRMB05009_2	CIRCULAR	3.50	9.62	0.88	3.50	1
89.89						
TRMB05009_2-S	Transect1	0.75	21.13	0.48	55.00	1
101.70						
TRMB05010	CIRCULAR	2.00	3.14	0.50	2.00	1
102.29						
TRMB05010-S	Transect1	0.75	21.13	0.48	55.00	1
95.92						
TRMB05011	CIRCULAR	2.00	3.14	0.50	2.00	1
39.82						
TRMB05011-S	Transect1	0.75	21.13	0.48	55.00	1
217.12						
TRMB05012	CIRCULAR	1.25	1.23	0.31	1.25	1
3.80						
TRMB05012-S	Transect1	0.75	21.13	0.48	55.00	1
81.49						
TRMB05013	CIRCULAR	1.25	1.23	0.31	1.25	1
71.13						
TRMB05013-S	Transect1	0.75	21.13	0.48	55.00	1
411.07						
TRMB05014	CIRCULAR	1.25	1.23	0.31	1.25	1
30.83						
TRMB05014-S	Transect1	0.75	21.13	0.48	55.00	1
188.28						
TRMB05015	CIRCULAR	3.50	9.62	0.88	3.50	1
55.84						
TRMB05015-S	Transect1	0.75	21.13	0.48	55.00	1
154.01						
TRMB05016	CIRCULAR	1.50	1.77	0.38	1.50	1
47.29						
TRMB05016-S	Transect1	0.75	21.13	0.48	55.00	1
144.71						
TRMB05017	CIRCULAR	3.50	9.62	0.88	3.50	1
51.71						
TRMB05017-S	Transect1	0.75	21.13	0.48	55.00	1
196.34						
TRMB05018	CIRCULAR	1.25	1.23	0.31	1.25	1
26.51						
TRMB05018-S	Transect1	0.75	21.13	0.48	55.00	1
125.01						
TRMB05019	CIRCULAR	1.50	1.77	0.38	1.50	1
15.52						
TRMB05019-S	Transect1	0.75	21.13	0.48	55.00	1
240.33						
TRMB05020	CIRCULAR	1.25	1.23	0.31	1.25	1
8.15						
TRMB05020-S	Transect1	0.75	21.13	0.48	55.00	1
119.35						
TRMB05021	CIRCULAR	1.50	1.77	0.38	1.50	1
9.01						
TRMB05021-S	Transect1	0.75	21.13	0.48	55.00	1
95.47						
TRMB05022	CIRCULAR	1.25	1.23	0.31	1.25	1
8.27						

Existing Conditions (10-Year)

TRMB05022-S 125.24	Transect1	0.75	21.13	0.48	55.00	1
TRMB05023 4.21	CIRCULAR	1.25	1.23	0.31	1.25	1
TRMB05023-S 157.10	Transect1	0.75	21.13	0.48	55.00	1
TRMB05025 59.33	CIRCULAR	1.25	1.23	0.31	1.25	1
TRMB05025-S 291.76	Transect1	0.75	21.13	0.48	55.00	1
TRMB05026 27.64	CIRCULAR	1.25	1.23	0.31	1.25	1
TRMB05026-S 122.47	Transect1	0.75	21.13	0.48	55.00	1
TRMB05027 48.91	CIRCULAR	1.25	1.23	0.31	1.25	1
TRMB05027-S 372.47	Transect1	0.75	21.13	0.48	55.00	1
TRMB05028 7.20	CIRCULAR	1.50	1.77	0.38	1.50	1
TRMB05028-S 121.33	Transect1	0.75	21.13	0.48	55.00	1
TRMB05029 5.39	CIRCULAR	1.25	1.23	0.31	1.25	1
TRMB05029-S 115.49	Transect1	0.75	21.13	0.48	55.00	1
TRMB05030 11.07	CIRCULAR	1.25	1.23	0.31	1.25	1
TRMB05030-S 167.63	Transect1	0.75	21.13	0.48	55.00	1
TRMB05031 12.37	CIRCULAR	1.25	1.23	0.31	1.25	1
TRMB05031-S 78.66	Transect1	0.75	21.13	0.48	55.00	1
TRMB05032 10.49	CIRCULAR	1.25	1.23	0.31	1.25	1
TRMB05032-S 62.91	Transect1	0.75	21.13	0.48	55.00	1
TRMB05033 0.44	CIRCULAR	1.25	1.23	0.31	1.25	1
TRMB05033-S 9.35	Transect1	0.75	21.13	0.48	55.00	1
TRMB05034 5.37	CIRCULAR	1.25	1.23	0.31	1.25	1
TRMB05034-S 114.98	Transect1	0.75	21.13	0.48	55.00	1
TRMB05035 45.39	CIRCULAR	1.50	1.77	0.38	1.50	1
TRMB05035-S 68.75	Transect1	0.75	21.13	0.48	55.00	1
TRMB05036 6.24	CIRCULAR	1.25	1.23	0.31	1.25	1
TRMB05036-S 125.13	Transect1	0.75	21.13	0.48	55.00	1
TRMB05037 12.92	CIRCULAR	1.25	1.23	0.31	1.25	1
TRMB05037-S 134.20	Transect1	0.75	21.13	0.48	55.00	1
TRMB05038 7.78	CIRCULAR	1.25	1.23	0.31	1.25	1
TRMB05038-S 83.38	Transect1	0.75	21.13	0.48	55.00	1

Existing Conditions (10-Year)

TRMB05039	CIRCULAR	1.25	1.23	0.31	1.25	1
5.00						
TRMB05039-S	Transect1	0.75	21.13	0.48	55.00	1
117.36						
TRMB05040	CIRCULAR	1.50	1.77	0.38	1.50	1
7.58						
TRMB05040-S	Transect1	0.75	21.13	0.48	55.00	1
157.77						
TRMB05041	CIRCULAR	1.50	1.77	0.38	1.50	1
7.66						
TRMB05041-S	Transect1	0.75	21.13	0.48	55.00	1
119.01						
TRMB05042	CIRCULAR	1.25	1.23	0.31	1.25	1
7.46						
TRMB05042-S	Transect1	0.75	21.13	0.48	55.00	1
159.81						
TRMB05044	CIRCULAR	1.25	1.23	0.31	1.25	1
5.64						
TRMB05044-S	Transect1	0.75	21.13	0.48	55.00	1
149.48						
TRMB05045	CIRCULAR	1.50	1.77	0.38	1.50	1
9.73						
TRMB05045-S	Transect1	0.75	21.13	0.48	55.00	1
175.60						
TRMB05046	CIRCULAR	1.50	1.77	0.38	1.50	1
17.69						
TRMB05046-S	Transect1	0.75	21.13	0.48	55.00	1
313.27						
TRMB05048	CIRCULAR	1.50	1.77	0.38	1.50	1
17.63						

 Transect Summary

Transect Transect1

Area:

0.0005	0.0021	0.0048	0.0085	0.0133
0.0192	0.0261	0.0341	0.0431	0.0533
0.0644	0.0767	0.0900	0.1044	0.1198
0.1363	0.1539	0.1725	0.1922	0.2130
0.2343	0.2556	0.2769	0.2982	0.3195
0.3408	0.3621	0.3834	0.4047	0.4260
0.4473	0.4686	0.4899	0.5115	0.5340
0.5576	0.5823	0.6080	0.6349	0.6627
0.6917	0.7217	0.7527	0.7849	0.8180
0.8523	0.8876	0.9240	0.9615	1.0000

Hrad:

0.0151	0.0302	0.0453	0.0604	0.0755
0.0906	0.1057	0.1208	0.1359	0.1510
0.1661	0.1812	0.1963	0.2114	0.2265
0.2416	0.2567	0.2718	0.2869	0.3020
0.3319	0.3617	0.3915	0.4212	0.4508
0.4804	0.5099	0.5394	0.5688	0.5982
0.6275	0.6567	0.6859	0.7150	0.7424
0.7680	0.7919	0.8142	0.8351	0.8547
0.8731	0.8904	0.9067	0.9221	0.9367
0.9506	0.9638	0.9764	0.9884	1.0000

Width:

0.0273	0.0545	0.0818	0.1091	0.1364
--------	--------	--------	--------	--------

Existing Conditions (10-Year)

0.1636	0.1909	0.2182	0.2455	0.2727
0.3000	0.3273	0.3545	0.3818	0.4091
0.4364	0.4636	0.4909	0.5182	0.5455
0.5455	0.5455	0.5455	0.5455	0.5455
0.5455	0.5455	0.5455	0.5455	0.5455
0.5455	0.5455	0.5455	0.5636	0.5909
0.6182	0.6455	0.6727	0.7000	0.7273
0.7545	0.7818	0.8091	0.8364	0.8636
0.8909	0.9182	0.9455	0.9727	1.0000

```

*****
Runoff Quantity Continuity          Volume      Depth
*****                              acre-feet   inches
-----                              -
Total Precipitation .....          508.966    5.794
Evaporation Loss .....              0.000      0.000
Infiltration Loss .....             189.738    2.160
Surface Runoff .....                 271.912    3.096
Final Surface Storage ....           47.379     0.539
Continuity Error (%) .....          -0.012

```

```

*****
Flow Routing Continuity             Volume      Volume
*****                              acre-feet   10^6 gal
-----                              -
Dry Weather Inflow .....            0.000      0.000
Wet Weather Inflow .....            271.751    88.554
Groundwater Inflow .....            0.000      0.000
RDII Inflow .....                   0.000      0.000
External Inflow .....                0.000      0.000
External Outflow .....               -94.889    -30.921
Internal Outflow .....               364.150    118.664
Evaporation Loss .....               0.000      0.000
Exfiltration Loss .....              0.000      0.000
Initial Stored Volume ....           0.418      0.136
Final Stored Volume .....            16.933     5.518
Continuity Error (%) .....           -5.154

```

```

*****
Highest Continuity Errors
*****
Node TRMB05006-S (-4460.47%)
Node TRMB05021-S (-1353.98%)
Node TRMB05035-S (-770.61%)
Node TRMB05020-S (-537.64%)
Node TRMB05003-S (-446.57%)

```

```

*****
Time-Step Critical Elements
*****
Link PCTB02237 (42.89%)
Link TRMB03028 (8.54%)
Link C14 (8.17%)
Link PCTB02022 (6.39%)
Link PCTB02002 (3.15%)

```

```

*****
Highest Flow Instability Indexes
*****

```

Existing Conditions (10-Year)

Link TRMB05020-IC (143)
 Link TRMB05029-IC (138)
 Link TRMB03067-IC (138)
 Link TRMB05012-IC (138)
 Link TRMB05030-IC (138)

 Routing Time Step Summary

Minimum Time Step : 0.50 sec
 Average Time Step : 3.13 sec
 Maximum Time Step : 5.00 sec
 Percent in Steady State : 0.00
 Average Iterations per Step : 6.96
 Percent Not Converging : 46.42

 Subcatchment Runoff Summary

-----			Total	Total	Total	Total	Total	
Total	Peak	Runoff	Precip	Runon	Evap	Infil	Runoff	
Runoff	Runoff	Coeff	in	in	in	in	in	10^6
Subcatchment	CFS							
-----			-----					
PC_1321			5.79	0.00	0.00	2.21	2.90	
3.35	27.60	0.500						
PC_1323			5.79	0.00	0.00	2.82	2.30	
1.09	8.25	0.397						
PC_1324			5.79	0.00	0.00	2.06	2.85	
1.61	9.35	0.492						
PC_1325			5.79	0.00	0.00	2.78	2.19	
1.84	9.68	0.379						
PC_1326			5.79	0.00	0.00	2.07	3.15	
5.65	47.93	0.544						
PC_1327			5.79	0.00	0.00	2.00	2.95	
1.10	7.06	0.510						
PC_1350			5.79	0.00	0.00	2.43	2.64	
4.18	30.44	0.456						
PC_1360			5.79	0.00	0.00	2.70	2.39	
2.48	17.71	0.412						
PC_571			5.79	0.00	0.00	2.64	2.53	
11.19	77.26	0.437						
SubCatch_ASH_ST			5.79	0.00	0.00	1.62	4.08	
0.14	3.34	0.704						
SubCatch_AVERY_ST			5.79	0.00	0.00	3.06	2.58	
0.03	0.54	0.446						
SubCatch_BELVOIR_HW			5.79	0.00	0.00	1.51	3.90	
3.86	48.01	0.674						
SubCatch_BELVOIR_HW_1			5.79	0.00	0.00	2.09	2.84	
2.02	12.19	0.491						
SubCatch_CHESTNUT_ST			5.79	0.00	0.00	1.67	4.02	
2.10	47.95	0.694						
SubCatch_COLONIAL_AV			5.79	0.00	0.00	2.08	3.61	
0.04	0.85	0.623						

Existing Conditions (10-Year)

SubCatch_COLONIAL_AV_1	5.79	0.00	0.00	1.84	3.85
0.04 0.82 0.665					
SubCatch_CONTENTNEA_ST	5.79	0.00	0.00	0.29	5.43
0.00 0.11 0.938					
SubCatch_CONTENTNEA_ST_1	5.79	0.00	0.00	2.18	3.51
0.18 3.96 0.605					
SubCatch_CONTENTNEA_ST_2	5.79	0.00	0.00	2.98	2.65
0.14 2.84 0.458					
SubCatch_CONTENTNEA_ST_3	5.79	0.00	0.00	2.23	3.46
0.07 1.61 0.597					
SubCatch_CONTENTNEA_ST_4	5.79	0.00	0.00	2.03	3.67
0.15 3.43 0.633					
SubCatch_CONTENTNEA_ST_5	5.79	0.00	0.00	2.58	3.10
0.13 2.64 0.534					
SubCatch_CONTENTNEA_ST_6	5.79	0.00	0.00	2.66	3.01
0.02 0.45 0.520					
SubCatch_DAVIS_ST	5.79	0.00	0.00	1.68	4.02
0.07 1.57 0.694					
SubCatch_DAVIS_ST_1	5.79	0.00	0.00	2.18	3.50
0.08 1.75 0.604					
SubCatch_DAVIS_ST_2	5.79	0.00	0.00	2.26	3.42
0.20 4.26 0.590					
SubCatch_DAVIS_ST_3	5.79	0.00	0.00	2.22	3.47
0.12 2.51 0.598					
SubCatch_DAVIS_ST_4	5.79	0.00	0.00	2.18	3.51
0.16 3.38 0.605					
SubCatch_E_1ST_ST	5.79	0.00	0.00	2.62	3.05
0.44 8.49 0.526					
SubCatch_E_1ST_ST_1	5.79	0.00	0.00	1.61	4.08
0.06 1.43 0.704					
SubCatch_E_1ST_ST_2	5.79	0.00	0.00	2.24	3.44
0.24 4.90 0.593					
SubCatch_E_2ND_ST	5.79	0.00	0.00	0.53	5.17
0.65 15.35 0.892					
SubCatch_E_2ND_ST_1	5.79	0.00	0.00	0.67	5.05
0.00 0.10 0.871					
SubCatch_E_2ND_ST_2	5.79	0.00	0.00	3.68	1.95
0.00 0.01 0.337					
SubCatch_E_2ND_ST_3	5.79	0.00	0.00	3.27	2.35
0.01 0.11 0.406					
SubCatch_E_2ND_ST_4	5.79	0.00	0.00	1.15	4.49
0.09 1.78 0.775					
SubCatch_E_3RD_ST	5.79	0.00	0.00	2.10	3.60
0.13 2.91 0.621					
SubCatch_E_3RD_ST_1	5.79	0.00	0.00	0.76	4.92
0.89 20.75 0.850					
SubCatch_E_3RD_ST_2	5.79	0.00	0.00	2.27	3.42
0.18 4.00 0.590					
SubCatch_E_3RD_ST_3	5.79	0.00	0.00	1.87	3.82
0.18 4.22 0.659					
SubCatch_E_4TH_ST	5.79	0.00	0.00	2.43	3.26
0.08 1.85 0.562					
SubCatch_E_4TH_ST_1	5.79	0.00	0.00	1.59	4.11
0.34 8.07 0.710					
SubCatch_E_4TH_ST_2	5.79	0.00	0.00	2.15	3.53
0.08 1.79 0.608					
SubCatch_E_CATAWBA_RD	5.79	0.00	0.00	2.17	3.09
1.53 15.63 0.533					
SubCatch_FAIRFAX_AV	5.79	0.00	0.00	2.34	3.35
0.10 2.12 0.578					
SubCatch_FLEMING_SCHOOL_RD	5.79	0.00	0.00	2.49	2.66
1.97 16.67 0.459					

Existing Conditions (10-Year)

SubCatch_FLEMING_SCHOOL_RD_1	5.79	0.00	0.00	2.37	2.57
2.04 11.39 0.444					
SubCatch_FLEMING_SCHOOL_RD_2	5.79	0.00	0.00	1.47	3.56
0.35 2.86 0.615					
SubCatch_GREENFIELD_BV	5.79	0.00	0.00	1.77	3.27
2.62 20.43 0.564					
SubCatch_GREENFIELD_BV_1	5.79	0.00	0.00	0.87	4.47
1.00 11.96 0.771					
SubCatch_GREENFIELD_BV_2	5.79	0.00	0.00	2.20	2.72
0.63 3.63 0.470					
SubCatch_HAW_1	5.79	0.00	0.00	1.37	3.56
0.28 1.99 0.615					
SubCatch_HAW_2	5.79	0.00	0.00	2.61	2.83
1.35 15.39 0.488					
SubCatch_HOP_TYSON_RD	5.79	0.00	0.00	1.88	3.32
1.57 15.34 0.573					
SubCatch_JOHNSON_HEIGHTS	5.79	0.00	0.00	1.00	4.70
0.35 8.51 0.810					
SubCatch_LATHAM_ST	5.79	0.00	0.00	2.40	3.28
0.23 4.97 0.566					
SubCatch_N_ELM_ST	5.79	0.00	0.00	1.30	4.38
0.35 8.21 0.756					
SubCatch_N_ELM_ST_1	5.79	0.00	0.00	2.73	2.94
0.19 3.90 0.507					
SubCatch_N_ELM_ST_2	5.79	0.00	0.00	1.70	4.00
0.83 19.41 0.690					
SubCatch_N_HARDING_ST	5.79	0.00	0.00	2.75	2.93
0.18 3.93 0.506					
SubCatch_N_HARDING_ST_1	5.79	0.00	0.00	2.17	3.52
0.15 3.36 0.608					
SubCatch_N_HARDING_ST_2	5.79	0.00	0.00	2.37	3.32
0.27 6.06 0.573					
SubCatch_N_JARVIS_ST	5.79	0.00	0.00	1.85	3.83
0.32 6.93 0.660					
SubCatch_N_LIBRARY_ST	5.79	0.00	0.00	2.20	3.49
0.26 5.86 0.602					
SubCatch_N_MEMORIAL_DR	5.79	0.00	0.00	1.70	3.33
1.60 12.57 0.575					
SubCatch_N_OAK_ST	5.79	0.00	0.00	1.06	4.63
1.05 24.76 0.799					
SubCatch_N_OAK_ST_1	5.79	0.00	0.00	1.10	4.60
0.09 2.08 0.793					
SubCatch_N_OAK_ST_2	5.79	0.00	0.00	2.04	3.65
0.30 6.86 0.630					
SubCatch_N_SUMMIT_ST	5.79	0.00	0.00	2.85	2.80
0.02 0.34 0.483					
SubCatch_N_SUMMIT_ST_1	5.79	0.00	0.00	1.95	3.73
0.48 10.19 0.644					
SubCatch_PARK_DR	5.79	0.00	0.00	3.14	2.53
0.10 1.98 0.436					
SubCatch_RIVER_DR	5.79	0.00	0.00	2.49	3.19
0.38 8.39 0.551					
SubCatch_S_ELM_ST	5.79	0.00	0.00	1.85	3.84
0.67 15.44 0.662					
SubCatch_S_ELM_ST_1	5.79	0.00	0.00	2.12	3.57
0.25 5.77 0.617					
SubCatch_S_HARDING_ST	5.79	0.00	0.00	2.35	3.34
0.41 9.34 0.577					
SubCatch_S_LIBRARY_ST	5.79	0.00	0.00	2.38	3.32
0.43 9.68 0.572					
SubCatch_S_OAK_ST	5.79	0.00	0.00	2.30	3.39
0.17 3.79 0.585					

Existing Conditions (10-Year)

SubCatch_S_OAK_ST_1	5.79	0.00	0.00	1.48	4.21
0.14 3.25 0.726					
SubCatch_S_ROTARY_AV	5.79	0.00	0.00	1.42	4.27
0.53 11.83 0.738					
SubCatch_S_ROTARY_AV_1	5.79	0.00	0.00	2.09	3.61
0.43 10.03 0.623					
SubCatch_S_ROTARY_AV_2	5.79	0.00	0.00	1.62	4.05
0.20 4.27 0.699					
SubCatch_S_ROTARY_AV_3	5.79	0.00	0.00	1.57	4.10
0.09 1.85 0.708					
SubCatch_S_ROTARY_AV_5	5.79	0.00	0.00	2.79	2.85
0.05 0.89 0.492					
SubCatch_S_WOODLAWN_AV	5.79	0.00	0.00	2.27	3.41
0.09 1.80 0.589					
SubCatch_SPRUCE_ST	5.79	0.00	0.00	2.40	3.14
4.19 66.05 0.541					
SubCatch_STATON_HOUSE_RD	5.79	0.00	0.00	1.54	3.62
3.11 29.64 0.625					
SubCatch_STUDENT_ST	5.79	0.00	0.00	1.25	4.44
0.69 15.57 0.766					
SubCatch_TRENT_CI	5.79	0.00	0.00	2.53	2.59
0.71 5.57 0.447					
SubCatch_TRENT_CI_1	5.79	0.00	0.00	1.49	3.65
2.80 26.20 0.631					
SubCatch_VANCE_2	5.79	0.00	0.00	2.33	3.36
0.26 5.68 0.579					
SubCatch_VANCE_ST_1	5.79	0.00	0.00	0.86	4.86
0.00 0.10 0.839					
SubCatch_VANCE_ST_2	5.79	0.00	0.00	2.53	3.15
0.03 0.57 0.543					
SubCatch_VANCE_ST_3	5.79	0.00	0.00	1.87	3.83
0.12 2.72 0.661					
SubCatch_VANCE_ST_4	5.79	0.00	0.00	2.28	3.41
0.11 2.39 0.588					
SubCatch_VANCE_ST_5	5.79	0.00	0.00	2.43	3.25
0.11 2.24 0.561					
SubCatch_VANCE_ST_6	5.79	0.00	0.00	1.79	3.90
0.02 0.56 0.674					
SubCatch_VANCE_ST_7	5.79	0.00	0.00	2.61	3.07
0.02 0.48 0.529					
SubCatch_W_3RD_ST	5.79	0.00	0.00	0.49	5.23
0.00 0.03 0.902					
SubCatch_W_3RD_ST_1	5.79	0.00	0.00	0.57	5.15
0.00 0.07 0.889					
SubCatch_W_3RD_ST_2	5.79	0.00	0.00	1.71	3.99
0.03 0.71 0.689					
SubCatch_W_3RD_ST_3	5.79	0.00	0.00	2.15	3.53
0.10 2.16 0.610					
SubCatch_W_3RD_ST_5	5.79	0.00	0.00	2.50	3.18
0.06 1.36 0.549					
SubCatch_W_3RD_ST_6	5.79	0.00	0.00	1.53	4.17
0.05 1.11 0.720					
SubCatch_W_3RD_ST_7	5.79	0.00	0.00	1.68	4.02
0.02 0.43 0.693					
SubCatch_W_3RD_ST_8	5.79	0.00	0.00	2.27	3.42
0.04 0.97 0.590					
SubCatch_W_3RD_ST_9	5.79	0.00	0.00	2.92	2.73
0.10 2.17 0.472					
SubCatch_W_4TH_ST	5.79	0.00	0.00	2.40	3.28
0.07 1.52 0.566					
SubCatch_W_4TH_ST_2	5.79	0.00	0.00	1.84	3.86
0.07 1.63 0.666					

Existing Conditions (10-Year)

SubCatch_W_5th_ST	5.79	0.00	0.00	1.65	4.05
0.94 21.76 0.699					
SubCatch_WILLOW_ST	5.79	0.00	0.00	2.90	2.76
0.16 3.26 0.477					
SubCatch_WILLOW_ST_1	5.79	0.00	0.00	2.05	3.65
0.04 0.96 0.629					
SubCatch_WILSONACRES_APT	5.79	0.00	0.00	1.43	4.27
0.71 16.82 0.736					
SubCatch_WOODSIDE_RD	5.79	0.00	0.00	2.21	2.96
1.75 15.85 0.510					
SubCatch_WOODSIDE_RD_1	5.79	0.00	0.00	1.26	3.79
1.17 9.96 0.654					
SubInsert	5.79	0.00	0.00	1.70	3.76
1.68 21.76 0.650					

Node Depth Summary

Node	Type	Average Depth Feet	Maximum Depth Feet	Maximum HGL Feet	Time of Max Occurrence days hr:min
CountrySideE_Ditch_Culvert_In	JUNCTION		2.28	2.65	24.30 0 13:37
CountrySideE_Ditch_Culvert_In-S	JUNCTION		0.16	0.33	27.83 0 13:00
JMTB01003	JUNCTION	1.97	2.50	27.52	0 11:37
JMTB01003-S	JUNCTION	0.38	0.75	27.77	0 11:51
JMTB01004	JUNCTION	1.90	2.48	27.55	0 11:47
JMTB01004-S	JUNCTION	0.03	0.16	27.75	0 11:52
JMTB01005	JUNCTION	1.51	2.01	27.29	0 11:48
JMTB01005-S	JUNCTION	0.00	0.01	27.30	0 13:44
JMTB01006	JUNCTION	1.50	2.00	26.59	0 12:21
JMTB01006-S	JUNCTION	0.47	0.75	27.29	0 11:51
JMTB01102	JUNCTION	1.00	2.47	29.06	0 12:13
JMTB01102-S	JUNCTION	0.19	0.75	29.81	0 12:30
JMTB01103	JUNCTION	1.15	2.64	29.06	0 12:30
JMTB01103-S	JUNCTION	0.01	0.19	29.76	0 12:30
JMTB01104	JUNCTION	0.96	2.48	29.11	0 12:32
JMTB01104-S	JUNCTION	0.01	0.07	29.81	0 12:30
JMTB01105	JUNCTION	1.32	2.27	28.30	0 12:30
JMTB01105-S	JUNCTION	0.25	0.75	28.56	0 12:14
PCTB01068	JUNCTION	0.41	1.04	20.39	0 12:35
PCTB01068_US	JUNCTION	0.53	1.06	21.06	0 12:33
PCTB01068_US-S	JUNCTION	0.10	0.55	25.85	0 12:33
PCTB01068-S	JUNCTION	0.03	0.45	25.81	0 12:33
PCTB02001	JUNCTION	1.25	2.04	23.82	0 13:28
PCTB02001-S	JUNCTION	0.11	0.55	23.93	0 12:30
PCTB02002	JUNCTION	1.12	1.88	23.87	0 13:17
PCTB02002-S	JUNCTION	0.00	0.00	24.25	0 00:00
PCTB02003	JUNCTION	0.84	1.36	25.34	0 12:32
PCTB02003-S	JUNCTION	0.23	0.75	26.98	0 11:54
PCTB02004	JUNCTION	0.43	1.04	25.20	0 14:38
PCTB02004-S	JUNCTION	0.23	0.58	26.99	0 11:54
PCTB02005	JUNCTION	0.40	0.86	25.26	0 12:30
PCTB02008	JUNCTION	1.30	2.03	23.67	0 13:21
PCTB02011	JUNCTION	1.11	1.85	23.71	0 13:24
PCTB02011-S	JUNCTION	0.00	0.04	26.80	0 12:24
PCTB02012	JUNCTION	1.40	2.18	23.80	0 13:19
PCTB02012-S	JUNCTION	0.24	0.75	26.81	0 12:24
PCTB02014	JUNCTION	2.30	3.11	23.81	0 13:22

Existing Conditions (10-Year)

PCTB02014-S	JUNCTION	0.14	0.60	23.83	0	13:34
PCTB02015	JUNCTION	2.03	2.85	23.82	0	13:32
PCTB02015-S	JUNCTION	0.02	0.18	23.82	0	13:32
PCTB02016	JUNCTION	0.55	1.03	25.26	0	12:31
PCTB02016-S	JUNCTION	0.00	0.00	25.88	0	00:00
PCTB02017	JUNCTION	0.82	1.35	25.34	0	12:31
PCTB02017-S	JUNCTION	0.00	0.00	25.89	0	00:00
PCTB02022	JUNCTION	1.78	2.44	24.76	0	11:18
PCTB02022-S	JUNCTION	0.09	0.54	25.30	0	12:30
PCTB02023	JUNCTION	1.71	2.37	24.72	0	11:19
PCTB02023-S	JUNCTION	0.04	0.58	25.30	0	12:30
PCTB02075	JUNCTION	6.55	6.58	23.80	0	00:25
PCTB02076	JUNCTION	6.06	6.09	23.80	0	00:24
PCTB02080	JUNCTION	6.94	6.97	23.80	0	12:34
PCTB02159	JUNCTION	5.77	5.80	23.80	0	12:35
PCTB02160	JUNCTION	5.77	5.81	23.80	0	12:34
PCTB02189	JUNCTION	3.45	4.19	23.76	0	00:03
PCTB02189-S	JUNCTION	0.23	0.75	24.51	0	12:22
PCTB02191	JUNCTION	4.58	4.59	23.00	0	00:02
PCTB02191_DS	JUNCTION	6.55	6.58	23.78	0	12:34
PCTB02191_DS-S	JUNCTION	0.75	0.75	22.95	0	00:07
PCTB02191-S	JUNCTION	0.08	0.38	23.38	0	12:28
PCTB02207	JUNCTION	3.25	3.51	24.13	0	13:34
PCTB02207-S	JUNCTION	0.00	0.00	24.62	0	00:00
PCTB02209	JUNCTION	2.81	3.16	24.24	0	13:35
PCTB02209-S	JUNCTION	0.00	0.00	25.08	0	00:00
PCTB02220	JUNCTION	5.21	5.32	23.87	0	00:08
PCTB02229	JUNCTION	4.89	5.14	24.02	0	00:08
PCTB02229-S	JUNCTION	0.00	0.00	24.52	0	00:00
PCTB02231	JUNCTION	4.73	4.89	23.99	0	13:34
PCTB02231-S	JUNCTION	0.00	0.00	24.80	0	00:00
PCTB02233	JUNCTION	0.00	0.00	25.41	0	00:00
PCTB02235	JUNCTION	3.99	4.18	24.03	0	13:34
PCTB02235-S	JUNCTION	0.27	0.75	26.15	0	11:55
PCTB02237	JUNCTION	3.83	4.09	24.12	0	13:34
PCTB02237-S	JUNCTION	0.10	0.57	26.15	0	11:56
PCTB02257	JUNCTION	2.55	2.91	24.27	0	13:36
PCTB02257_1	JUNCTION	2.55	2.91	24.27	0	13:36
PCTB02257_1-S	JUNCTION	0.05	0.16	26.92	0	11:59
PCTB02257-S	JUNCTION	0.21	0.75	27.71	0	12:23
PCTB02260	JUNCTION	2.53	2.89	24.27	0	13:36
PCTB02260-S	JUNCTION	0.00	0.00	25.93	0	00:00
PCTB02262	JUNCTION	2.62	2.96	24.24	0	13:36
PCTB02262-S	JUNCTION	0.00	0.00	25.78	0	00:00
PCTB02275	JUNCTION	2.48	2.86	24.31	0	13:36
PCTB02275-S	JUNCTION	0.01	0.17	25.72	0	12:31
PCTB02276	JUNCTION	2.46	2.90	24.42	0	13:47
PCTB02276-S	JUNCTION	0.00	0.00	26.12	0	00:00
PCTB02278	JUNCTION	2.04	2.95	25.19	0	14:44
PCTB02278-S	JUNCTION	0.11	0.55	25.19	0	14:47
PCTB02280	JUNCTION	3.66	3.69	22.58	0	00:11
PCTB02280-S	JUNCTION	0.52	0.75	23.33	0	11:59
PCTB02281	JUNCTION	3.53	3.61	22.77	0	00:11
PCTB02281-S	JUNCTION	0.28	0.57	23.34	0	12:00
PCTB02282	JUNCTION	3.31	3.58	23.34	0	12:29
PCTB02282-S	JUNCTION	0.03	0.14	25.29	0	12:30
PCTB02283	JUNCTION	2.92	2.95	22.87	0	00:13
PCTB02283-S	JUNCTION	0.01	0.20	23.07	0	12:30
PCTB02284	JUNCTION	2.58	2.92	23.18	0	00:13
PCTB02284-S	JUNCTION	0.00	0.00	23.18	0	00:00
PCTB02292	JUNCTION	5.61	5.78	23.78	0	00:23
PCTB02292-S	JUNCTION	0.36	0.49	23.49	0	12:30

Existing Conditions (10-Year)

PCTB02294	JUNCTION	5.97	6.07	23.74	0	00:24
PCTB02294-S	JUNCTION	0.30	0.40	23.07	0	00:17
PCTB02295	JUNCTION	6.50	6.53	23.77	0	00:23
PCTB02295-S	JUNCTION	0.75	0.75	22.99	0	00:08
PCTB02297	JUNCTION	2.59	2.90	23.31	0	00:14
PCTB02297-S	JUNCTION	0.06	0.30	23.61	0	12:30
PCTB02302	JUNCTION	5.27	5.51	23.85	0	00:22
PCTB02302-S	JUNCTION	0.32	0.51	23.85	0	00:22
PCTB02303	JUNCTION	5.44	7.12	25.25	0	00:14
PCTB02303-S	JUNCTION	0.07	0.18	25.43	0	12:30
PCTB02304	JUNCTION	5.18	5.23	23.60	0	00:14
PCTB02304-S	JUNCTION	0.34	0.75	24.35	0	11:49
PCTB02312	JUNCTION	5.36	5.56	23.81	0	00:22
PCTB02312-S	JUNCTION	0.41	0.53	23.78	0	00:22
PCTB02329	JUNCTION	1.34	2.07	24.23	0	12:05
PCTB02329-S	JUNCTION	0.00	0.05	24.28	0	12:31
PCTB02330	JUNCTION	1.57	2.75	25.05	0	12:26
PCTB02330-S	JUNCTION	0.01	0.20	25.62	0	12:30
PCTB02331	JUNCTION	1.80	2.82	25.04	0	11:53
PCTB02331-S	JUNCTION	0.12	0.64	25.68	0	12:30
PCTB02332	JUNCTION	1.85	2.81	25.01	0	12:17
PCTB02332-S	JUNCTION	0.00	0.01	25.68	0	12:30
TRMB02002	JUNCTION	0.61	1.61	7.16	0	12:01
TRMB02002-S	JUNCTION	0.00	0.08	16.29	0	12:00
TRMB02003	JUNCTION	3.50	6.88	9.76	0	11:51
TRMB02003-S	JUNCTION	0.02	0.47	13.05	0	12:04
TRMB02006	JUNCTION	1.07	8.20	16.80	0	11:51
TRMB02006-S	JUNCTION	0.01	0.24	18.14	0	12:00
TRMB02009	JUNCTION	0.60	1.56	18.83	0	12:00
TRMB02009-S	JUNCTION	0.03	0.24	27.06	0	12:00
TRMB02012	JUNCTION	0.86	2.38	21.88	0	12:34
TRMB02012-S	JUNCTION	0.00	0.00	26.80	0	12:00
TRMB02015	JUNCTION	0.94	3.11	24.16	0	11:59
TRMB02015-S	JUNCTION	0.05	0.75	25.89	0	11:59
TRMB02016	JUNCTION	1.26	3.53	24.67	0	12:02
TRMB02016-S	JUNCTION	0.05	0.70	25.92	0	11:59
TRMB02018	JUNCTION	1.27	4.79	27.70	0	12:02
TRMB02018-S	JUNCTION	0.03	0.35	29.01	0	12:00
TRMB02022	JUNCTION	1.37	4.78	28.56	0	11:36
TRMB02022-S	JUNCTION	0.06	0.75	29.31	0	11:56
TRMB02023	JUNCTION	0.59	3.06	29.08	0	11:36
TRMB02023-S	JUNCTION	0.01	0.22	29.41	0	12:00
TRMB02030	JUNCTION	0.48	2.30	29.22	0	11:36
TRMB02030-S	JUNCTION	0.00	0.00	29.22	0	12:00
TRMB02032	JUNCTION	0.45	3.67	32.71	0	12:00
TRMB02032-S	JUNCTION	0.00	0.07	33.75	0	12:00
TRMB02033	JUNCTION	0.36	3.45	33.27	0	12:00
TRMB02033-S	JUNCTION	0.01	0.25	33.99	0	12:00
TRMB02034	JUNCTION	0.57	3.38	34.33	0	11:46
TRMB02034-S	JUNCTION	0.01	0.25	34.58	0	12:00
TRMB02035	JUNCTION	0.38	2.12	36.34	0	11:46
TRMB02035-S	JUNCTION	0.03	0.29	36.63	0	12:00
TRMB02044	JUNCTION	0.66	6.20	37.10	0	11:48
TRMB02044_DS	JUNCTION	1.90	8.87	33.02	0	11:49
TRMB02044_DS-S	JUNCTION	0.06	0.42	33.44	0	12:00
TRMB02044-S	JUNCTION	0.00	0.00	37.10	0	00:00
TRMB02045	JUNCTION	1.03	5.71	36.49	0	11:49
TRMB02045-S	JUNCTION	0.00	0.00	36.74	0	00:00
TRMB02046	JUNCTION	0.23	3.60	36.63	0	11:49
TRMB02046-S	JUNCTION	0.00	0.00	36.63	0	12:00
TRMB02047	JUNCTION	0.24	0.89	35.08	0	11:49
TRMB02047-S	JUNCTION	0.01	0.14	36.90	0	12:00

Existing Conditions (10-Year)

TRMB02048	JUNCTION	0.19	0.78	36.75	0	12:00
TRMB02048-S	JUNCTION	0.00	0.00	39.25	0	12:00
TRMB02049	JUNCTION	0.19	0.69	37.24	0	12:00
TRMB02049-S	JUNCTION	0.01	0.13	39.47	0	12:00
TRMB02050	JUNCTION	0.99	5.12	35.99	0	11:49
TRMB02050-S	JUNCTION	0.00	0.00	36.02	0	00:00
TRMB02051	JUNCTION	0.91	3.81	34.90	0	11:48
TRMB02051-S	JUNCTION	0.00	0.10	35.00	0	12:00
TRMB02052	JUNCTION	0.77	3.55	34.80	0	11:48
TRMB02052-S	JUNCTION	0.00	0.00	34.80	0	12:00
TRMB02056	JUNCTION	0.63	3.79	35.20	0	11:48
TRMB02056-S	JUNCTION	0.00	0.09	35.29	0	12:00
TRMB02057	JUNCTION	0.62	3.80	35.34	0	11:48
TRMB02057-S	JUNCTION	0.01	0.23	35.57	0	12:00
TRMB02060	JUNCTION	0.49	5.56	39.86	0	11:51
TRMB02060-S	JUNCTION	0.02	0.22	41.46	0	12:00
TRMB02063	JUNCTION	0.26	0.93	41.10	0	12:00
TRMB02063-S	JUNCTION	0.00	0.00	43.67	0	12:04
TRMB02064	JUNCTION	0.41	2.41	43.45	0	11:59
TRMB02064-S	JUNCTION	0.00	0.03	44.59	0	12:00
TRMB02067	JUNCTION	0.65	4.89	46.15	0	11:59
TRMB02067-S	JUNCTION	0.01	0.16	46.36	0	12:00
TRMB02068	JUNCTION	0.49	6.38	48.50	0	11:48
TRMB02068-S	JUNCTION	0.01	0.14	48.80	0	12:00
TRMB02069	JUNCTION	0.31	6.83	49.40	0	11:48
TRMB02069-S	JUNCTION	0.00	0.00	49.40	0	11:30
TRMB02070	JUNCTION	0.36	6.52	49.24	0	11:48
TRMB02070-S	JUNCTION	0.00	0.03	49.63	0	11:59
TRMB03016	JUNCTION	0.59	2.03	9.97	0	12:00
TRMB03016-S	JUNCTION	0.00	0.00	14.88	0	00:00
TRMB03022	JUNCTION	0.64	2.89	12.79	0	11:59
TRMB03022-S	JUNCTION	0.01	0.22	12.79	0	12:13
TRMB03025	JUNCTION	0.40	1.12	13.91	0	12:30
TRMB03025-S	JUNCTION	0.00	0.07	19.66	0	11:56
TRMB03026	JUNCTION	0.04	0.17	15.28	0	12:00
TRMB03027	JUNCTION	0.10	0.47	15.92	0	12:00
TRMB03028	JUNCTION	1.00	3.14	15.92	0	12:33
TRMB03028-S	JUNCTION	0.00	0.00	20.09	0	00:00
TRMB03029	JUNCTION	0.63	3.32	17.10	0	12:33
TRMB03029-S	JUNCTION	0.00	0.00	19.13	0	00:00
TRMB03030	JUNCTION	0.77	4.50	19.38	0	12:33
TRMB03030-S	JUNCTION	0.00	0.00	19.95	0	00:00
TRMB03031	JUNCTION	0.20	1.57	19.44	0	12:33
TRMB03031-S	JUNCTION	0.01	0.14	26.22	0	12:00
TRMB03032	JUNCTION	0.84	5.33	26.59	0	11:53
TRMB03032-S	JUNCTION	0.00	0.04	28.66	0	12:00
TRMB03033	JUNCTION	0.19	2.68	30.21	0	11:48
TRMB03033-S	JUNCTION	0.00	0.00	30.21	0	12:00
TRMB03034	JUNCTION	0.35	3.02	30.36	0	11:49
TRMB03034-S	JUNCTION	0.00	0.13	30.49	0	12:00
TRMB03035	JUNCTION	0.07	3.41	29.28	0	11:52
TRMB03035-S	JUNCTION	0.00	0.00	29.28	0	12:02
TRMB03036	JUNCTION	0.86	5.89	27.62	0	11:53
TRMB03036-S	JUNCTION	0.00	0.01	29.29	0	12:00
TRMB03037	JUNCTION	0.45	2.92	30.67	0	11:48
TRMB03037-S	JUNCTION	0.02	0.24	30.91	0	11:59
TRMB03038	JUNCTION	0.03	2.98	29.52	0	11:53
TRMB03038-S	JUNCTION	0.00	0.00	30.40	0	00:00
TRMB03039	JUNCTION	0.64	6.37	29.71	0	11:49
TRMB03039-S	JUNCTION	0.00	0.11	30.01	0	12:00
TRMB03042	JUNCTION	0.19	0.53	36.43	0	12:00
TRMB03042-S	JUNCTION	0.01	0.19	40.86	0	12:00

Existing Conditions (10-Year)

TRMB03043	JUNCTION	0.56	4.27	28.59	0	11:50
TRMB03043-S	JUNCTION	0.00	0.00	28.59	0	12:00
TRMB03044	JUNCTION	0.34	3.12	28.54	0	11:50
TRMB03044-S	JUNCTION	0.02	0.42	28.96	0	12:00
TRMB03049	JUNCTION	0.23	4.47	29.22	0	11:50
TRMB03049-S	JUNCTION	0.00	0.00	29.22	0	00:00
TRMB03051	JUNCTION	0.34	2.81	28.14	0	11:51
TRMB03051-S	JUNCTION	0.00	0.01	28.15	0	12:00
TRMB03052	JUNCTION	0.06	1.33	28.36	0	11:51
TRMB03052-S	JUNCTION	0.00	0.00	28.36	0	00:00
TRMB03054	JUNCTION	0.57	2.93	28.37	0	11:51
TRMB03054-S	JUNCTION	0.01	0.19	28.56	0	12:01
TRMB03055	JUNCTION	0.60	2.72	28.22	0	11:47
TRMB03055-S	JUNCTION	0.01	0.26	28.48	0	12:00
TRMB03063	JUNCTION	0.25	0.85	28.85	0	12:00
TRMB03063-S	JUNCTION	0.02	0.21	31.28	0	12:00
TRMB03065	JUNCTION	0.74	5.46	7.99	0	12:31
TRMB03065-S	JUNCTION	0.00	0.02	14.02	0	12:00
TRMB03067	JUNCTION	0.06	0.12	18.26	0	11:48
TRMB03067-S	JUNCTION	0.00	0.00	20.65	0	12:44
TRMB03068	JUNCTION	0.26	6.51	11.34	0	11:56
TRMB03068-S	JUNCTION	0.02	0.16	15.54	0	12:00
TRMB03069	JUNCTION	0.70	5.50	8.90	0	11:56
TRMB03069-S	JUNCTION	0.01	0.18	14.41	0	12:00
TRMB03070	JUNCTION	0.67	5.63	10.21	0	11:57
TRMB03070-S	JUNCTION	0.00	0.07	14.21	0	12:00
TRMB03072	JUNCTION	0.50	1.75	10.73	0	12:00
TRMB03072-S	JUNCTION	0.00	0.00	18.10	0	00:00
TRMB03073	JUNCTION	0.13	0.36	16.92	0	12:00
TRMB03073-S	JUNCTION	0.01	0.11	19.50	0	11:59
TRMB03083	JUNCTION	0.70	3.65	13.43	0	12:01
TRMB03083-S	JUNCTION	0.00	0.00	18.62	0	00:00
TRMB03084	JUNCTION	0.49	1.80	10.80	0	12:00
TRMB03084-S	JUNCTION	0.00	0.09	18.04	0	12:00
TRMB03087	JUNCTION	1.21	6.37	16.27	0	12:00
TRMB03087-S	JUNCTION	0.04	0.48	16.75	0	12:30
TRMB03088	JUNCTION	0.52	2.04	23.58	0	12:01
TRMB03088-S	JUNCTION	0.00	0.00	29.85	0	00:00
TRMB03089	JUNCTION	0.46	1.59	24.13	0	12:00
TRMB03089-S	JUNCTION	0.00	0.00	29.82	0	00:00
TRMB03090	JUNCTION	1.14	3.80	26.16	0	12:00
TRMB03090-S	JUNCTION	0.05	0.75	29.69	0	11:57
TRMB03091	JUNCTION	0.48	1.62	28.06	0	12:00
TRMB03091-S	JUNCTION	0.02	0.31	34.13	0	12:00
TRMB03092	JUNCTION	0.15	0.40	30.28	0	12:00
TRMB03092-S	JUNCTION	0.01	0.13	31.80	0	12:00
TRMB03094	JUNCTION	0.50	1.68	29.77	0	12:00
TRMB03094-S	JUNCTION	0.02	0.38	35.30	0	12:00
TRMB03095	JUNCTION	0.04	0.34	32.39	0	12:00
TRMB03095-S	JUNCTION	0.02	0.39	35.31	0	12:00
TRMB03096	JUNCTION	0.64	1.86	30.01	0	12:00
TRMB03096-S	JUNCTION	0.02	0.28	36.64	0	12:00
TRMB03097	JUNCTION	0.19	0.47	34.83	0	12:00
TRMB03097-S	JUNCTION	0.02	0.21	40.49	0	12:00
TRMB03101	JUNCTION	0.04	0.07	32.57	0	13:00
TRMB03101-S	JUNCTION	0.00	0.00	37.20	0	11:20
TRMB03102	JUNCTION	0.36	0.92	30.19	0	12:00
TRMB03102-S	JUNCTION	0.02	0.37	38.05	0	12:00
TRMB03103	JUNCTION	0.30	0.65	33.66	0	12:00
TRMB03103-S	JUNCTION	0.03	0.34	41.38	0	12:00
TRMB03111	JUNCTION	0.27	0.53	35.73	0	12:00
TRMB03111-S	JUNCTION	0.05	0.37	42.60	0	12:00

Existing Conditions (10-Year)

TRMB03132	JUNCTION	0.19	0.52	13.52	0	12:00
TRMB03132-S	JUNCTION	0.01	0.15	23.82	0	12:00
TRMB04089	JUNCTION	0.71	1.50	49.47	0	12:29
TRMB04089-S	JUNCTION	0.21	0.71	61.48	0	12:30
TRMB04265-S	JUNCTION	0.00	0.00	59.86	0	00:00
TRMB05002	JUNCTION	0.46	1.44	39.63	0	12:01
TRMB05002-S	JUNCTION	0.00	0.00	43.94	0	00:00
TRMB05003	JUNCTION	1.27	3.66	43.08	0	12:00
TRMB05003-S	JUNCTION	0.00	0.00	47.22	0	11:01
TRMB05004	JUNCTION	1.19	3.85	43.35	0	13:53
TRMB05004-S	JUNCTION	0.00	0.00	46.49	0	11:08
TRMB05005	JUNCTION	0.73	3.13	43.13	0	12:00
TRMB05005-S	JUNCTION	0.00	0.05	48.19	0	12:00
TRMB05006	JUNCTION	1.21	4.51	45.27	0	12:00
TRMB05006-S	JUNCTION	0.00	0.00	49.36	0	11:34
TRMB05008	JUNCTION	0.21	1.79	45.47	0	12:00
TRMB05008-S	JUNCTION	0.00	0.04	47.62	0	12:00
TRMB05009	JUNCTION	0.89	2.37	47.38	0	12:34
TRMB05009_DS	JUNCTION	0.92	3.14	46.97	0	12:01
TRMB05009_DS-S	JUNCTION	0.00	0.01	50.93	0	12:00
TRMB05009-S	JUNCTION	0.01	0.09	51.60	0	12:35
TRMB05010	JUNCTION	0.10	0.28	46.46	0	12:00
TRMB05010-S	JUNCTION	0.00	0.07	49.30	0	12:00
TRMB05011	JUNCTION	0.10	0.28	47.19	0	12:00
TRMB05011-S	JUNCTION	0.00	0.00	49.81	0	11:46
TRMB05012	JUNCTION	0.34	0.84	47.65	0	12:00
TRMB05012-S	JUNCTION	0.00	0.03	49.74	0	11:59
TRMB05013	JUNCTION	0.05	0.13	49.09	0	12:00
TRMB05013-S	JUNCTION	0.00	0.02	51.08	0	12:00
TRMB05014	JUNCTION	0.09	0.26	48.87	0	12:00
TRMB05014-S	JUNCTION	0.00	0.08	51.29	0	12:00
TRMB05015	JUNCTION	1.16	3.16	49.21	0	12:01
TRMB05015-S	JUNCTION	0.02	0.21	54.86	0	11:55
TRMB05016	JUNCTION	0.20	0.57	50.98	0	11:58
TRMB05016-S	JUNCTION	0.00	0.07	54.48	0	11:56
TRMB05017	JUNCTION	1.11	3.10	49.33	0	12:30
TRMB05017_US	JUNCTION	0.94	2.34	49.42	0	12:30
TRMB05017_US-S	JUNCTION	0.15	0.75	58.92	0	11:54
TRMB05017-S	JUNCTION	0.05	0.29	55.97	0	12:34
TRMB05018	JUNCTION	0.07	0.31	50.65	0	12:00
TRMB05018-S	JUNCTION	0.00	0.05	54.54	0	11:56
TRMB05019	JUNCTION	0.60	2.24	52.86	0	11:55
TRMB05019-S	JUNCTION	0.00	0.00	54.12	0	11:55
TRMB05020	JUNCTION	0.08	0.23	51.01	0	12:11
TRMB05020-S	JUNCTION	0.00	0.00	54.28	0	11:58
TRMB05021	JUNCTION	0.53	2.76	54.23	0	11:59
TRMB05021-S	JUNCTION	0.00	0.00	54.67	0	11:34
TRMB05022	JUNCTION	0.36	0.80	50.90	0	12:00
TRMB05022-S	JUNCTION	0.00	0.01	54.41	0	12:00
TRMB05023	JUNCTION	0.07	0.24	51.65	0	12:26
TRMB05023-S	JUNCTION	0.08	0.23	51.64	0	12:08
TRMB05025	JUNCTION	0.09	0.32	53.52	0	11:49
TRMB05025-S	JUNCTION	0.10	0.75	55.95	0	11:49
TRMB05026	JUNCTION	0.10	0.30	50.35	0	12:00
TRMB05026-S	JUNCTION	0.00	0.00	52.70	0	00:00
TRMB05027	JUNCTION	0.10	0.36	53.06	0	11:48
TRMB05027-S	JUNCTION	0.11	0.75	55.49	0	11:48
TRMB05028	JUNCTION	0.58	3.23	55.17	0	11:58
TRMB05028-S	JUNCTION	0.00	0.00	55.44	0	12:00
TRMB05029	JUNCTION	0.38	2.63	54.25	0	11:59
TRMB05029-S	JUNCTION	0.00	0.02	54.84	0	11:59
TRMB05030	JUNCTION	0.31	2.75	55.19	0	11:51

Existing Conditions (10-Year)

TRMB05030-S	JUNCTION	0.00	0.01	55.20	0	11:59
TRMB05031	JUNCTION	0.24	2.02	55.32	0	11:51
TRMB05031-S	JUNCTION	0.01	0.21	55.53	0	12:00
TRMB05032	JUNCTION	0.29	2.40	55.36	0	11:51
TRMB05032-S	JUNCTION	0.00	0.03	55.39	0	12:00
TRMB05033	JUNCTION	0.46	2.75	55.19	0	11:51
TRMB05033-S	JUNCTION	0.01	0.13	55.32	0	12:00
TRMB05034	JUNCTION	0.29	2.40	55.51	0	11:50
TRMB05034-S	JUNCTION	0.00	0.07	55.58	0	12:30
TRMB05035	JUNCTION	0.16	1.60	54.35	0	12:00
TRMB05035-S	JUNCTION	0.00	0.00	55.85	0	11:56
TRMB05036	JUNCTION	0.29	1.35	54.50	0	12:00
TRMB05036-S	JUNCTION	0.00	0.01	55.51	0	11:59
TRMB05037	JUNCTION	0.12	0.35	54.35	0	12:00
TRMB05037-S	JUNCTION	0.00	0.04	55.74	0	11:59
TRMB05038	JUNCTION	0.24	1.05	54.40	0	12:00
TRMB05038-S	JUNCTION	0.00	0.02	55.72	0	11:59
TRMB05039	JUNCTION	0.19	0.95	54.45	0	12:00
TRMB05039-S	JUNCTION	0.00	0.03	55.55	0	11:59
TRMB05040	JUNCTION	0.53	5.73	54.57	0	11:53
TRMB05040-S	JUNCTION	0.00	0.08	55.97	0	12:00
TRMB05041	JUNCTION	0.58	4.84	51.74	0	12:00
TRMB05041-S	JUNCTION	0.00	0.09	52.34	0	12:00
TRMB05042	JUNCTION	0.59	1.55	51.24	0	11:59
TRMB05042-S	JUNCTION	0.00	0.12	52.46	0	12:00
TRMB05043	JUNCTION	0.10	0.32	46.69	0	12:00
TRMB05043-S	JUNCTION	0.00	0.00	52.86	0	00:00
TRMB05044	JUNCTION	0.24	3.55	51.12	0	11:53
TRMB05044-S	JUNCTION	0.00	0.01	51.13	0	11:59
TRMB05045	JUNCTION	0.57	4.51	51.19	0	12:00
TRMB05045-S	JUNCTION	0.00	0.04	52.52	0	12:00
TRMB05046	JUNCTION	0.42	1.96	45.23	0	11:53
TRMB05046-S	JUNCTION	0.00	0.00	47.67	0	20:09
TRMB05047	JUNCTION	1.48	1.50	43.02	0	00:17
TRMB05048	JUNCTION	0.34	0.97	43.79	0	12:00
TRMB05048-S	JUNCTION	0.00	0.00	48.28	0	00:00
PCTB01066	OUTFALL	0.31	0.83	18.81	0	12:35
PCTB02009	OUTFALL	0.89	1.36	23.13	0	13:21
PCTB02081	OUTFALL	6.98	6.99	23.81	0	23:45
TRMB02001	OUTFALL	0.60	1.55	1.20	0	12:01
TRMB03012	OUTFALL	0.54	1.65	8.83	0	12:00
TRMB03066	OUTFALL	0.71	3.00	3.00	0	11:53
TRMB05001	OUTFALL	0.40	0.96	24.56	0	12:00

Node Inflow Summary

Total Inflow Volume gal	Flow Balance Error Percent	Type	Maximum Lateral Inflow CFS	Maximum Total Inflow CFS	Time of Max Occurrence days hr:min	Lateral Inflow Volume 10^6 gal	10^6
----------------------------	-------------------------------	------	-------------------------------	-----------------------------	---------------------------------------	-----------------------------------	------

Existing Conditions (10-Year)

CountrySideE_Ditch_Culvert_In	JUNCTION	0.00	20.97	0	12:30	0
7.51 1.664						
CountrySideE_Ditch_Culvert_In-S	JUNCTION	19.04	19.04	0	12:59	3.44
3.44 -0.290						
JMTB01003	JUNCTION	0.00	32.05	0	12:30	0
6.56 0.026						
JMTB01003-S	JUNCTION	29.63	29.63	0	12:29	3.1
3.11 -0.745						
JMTB01004	JUNCTION	0.00	8.58	0	11:37	0
3.02 0.071						
JMTB01004-S	JUNCTION	0.00	5.55	0	11:51	0
0.461 0.001						
JMTB01005	JUNCTION	0.00	8.56	0	11:37	0
3.09 0.116						
JMTB01005-S	JUNCTION	0.00	1.03	0	11:52	0
0.0695 0.002						
JMTB01006	JUNCTION	0.00	16.67	0	11:51	0
5.94 1.890						
JMTB01006-S	JUNCTION	54.98	54.98	0	12:30	6.75
6.75 -0.629						
JMTB01102	JUNCTION	0.00	8.64	0	12:30	0
1.76 -0.265						
JMTB01102-S	JUNCTION	16.67	16.67	0	12:29	1.96
1.96 -0.568						
JMTB01103	JUNCTION	0.00	14.74	0	12:29	0
2.31 0.073						
JMTB01103-S	JUNCTION	0.00	8.21	0	12:30	0
0.22 -0.566						
JMTB01104	JUNCTION	0.00	2.62	0	12:30	0
0.382 -0.274						
JMTB01104-S	JUNCTION	2.86	2.86	0	12:29	0.354
0.354 -8.220						
JMTB01105	JUNCTION	0.00	23.39	0	12:29	0
4.28 0.129						
JMTB01105-S	JUNCTION	11.38	15.16	0	12:30	2.04
2.09 -1.712						
PCTB01068	JUNCTION	0.00	14.12	0	12:33	0
1.4 0.124						
PCTB01068_US	JUNCTION	0.00	7.40	0	12:33	0
1.16 0.004						
PCTB01068_US-S	JUNCTION	15.39	15.39	0	12:29	1.35
1.35 -3.888						
PCTB01068-S	JUNCTION	0.00	7.45	0	12:30	0
0.241 -0.088						
PCTB02001	JUNCTION	0.00	14.08	0	12:30	0
2.89 3.892						
PCTB02001-S	JUNCTION	7.57	7.57	0	12:29	0.99
0.99 -3.931						
PCTB02002	JUNCTION	0.00	7.66	0	12:16	0
1.84 0.034						
PCTB02002-S	JUNCTION	0.00	0.00	0	00:00	0
0 0.000 gal						
PCTB02003	JUNCTION	0.00	8.66	0	11:54	0
1.77 0.351						
PCTB02003-S	JUNCTION	0.00	22.89	0	12:30	0
2.06 -0.300						
PCTB02004	JUNCTION	0.00	13.15	0	12:33	0
3.27 0.335						
PCTB02004-S	JUNCTION	30.43	30.43	0	12:29	4.18
4.18 -0.612						
PCTB02005	JUNCTION	17.70	20.68	0	12:29	2.48
3.12 0.336						

Existing Conditions (10-Year)

PCTB02008	JUNCTION	0.00	36.24	0	13:20	0
7.93 0.558						
PCTB02011	JUNCTION	0.00	20.64	0	13:44	0
4.91 0.206						
PCTB02011-S	JUNCTION	0.00	2.09	0	12:24	0
0.118 -0.007						
PCTB02012	JUNCTION	0.00	18.67	0	13:18	0
4.82 0.610						
PCTB02012-S	JUNCTION	12.19	12.19	0	12:30	2.02
2.02 -1.709						
PCTB02014	JUNCTION	0.00	15.78	0	15:00	0
2.93 1.841						
PCTB02014-S	JUNCTION	0.00	10.01	0	13:54	0
0.14 0.936						
PCTB02015	JUNCTION	0.00	12.63	0	12:42	0
2.95 7.105						
PCTB02015-S	JUNCTION	0.00	4.20	0	13:32	0
0.142 -0.227						
PCTB02016	JUNCTION	0.00	4.11	0	14:52	0
0.745 0.623						
PCTB02016-S	JUNCTION	0.00	0.00	0	00:00	0
0 0.000 gal						
PCTB02017	JUNCTION	0.00	4.12	0	14:51	0
0.741 0.821						
PCTB02017-S	JUNCTION	0.00	0.00	0	00:00	0
0 0.000 gal						
PCTB02022	JUNCTION	0.00	7.35	0	12:30	0
1.25 0.280						
PCTB02022-S	JUNCTION	15.34	15.34	0	12:29	1.57
1.57 -1.457						
PCTB02023	JUNCTION	0.00	12.10	0	12:30	0
1.25 0.278						
PCTB02023-S	JUNCTION	0.00	7.94	0	12:30	0
0.34 -3.352						
PCTB02075	JUNCTION	0.00	396.73	0	00:05	0
18.6 0.945						
PCTB02076	JUNCTION	0.00	369.73	0	00:05	0
18.5 0.694						
PCTB02080	JUNCTION	0.00	677.43	0	00:04	0
91.1 0.568						
PCTB02159	JUNCTION	0.00	335.37	0	00:05	0
18.3 0.487						
PCTB02160	JUNCTION	0.00	301.15	0	00:06	0
18.2 0.941						
PCTB02189	JUNCTION	0.00	17.44	0	00:03	0
2.4 0.207						
PCTB02189-S	JUNCTION	69.76	69.76	0	12:29	5.53
5.53 -0.006						
PCTB02191	JUNCTION	0.00	48.69	0	12:31	0
24.6 0.028						
PCTB02191_DS	JUNCTION	0.00	380.44	0	00:02	0
88.4 0.464						
PCTB02191_DS-S	JUNCTION	0.00	64.61	0	12:31	0
10.1 0.054						
PCTB02191-S	JUNCTION	0.00	58.18	0	12:24	0
3.14 -0.017						
PCTB02207	JUNCTION	0.00	66.60	0	00:12	0
14.1 1.203						
PCTB02207-S	JUNCTION	0.00	0.00	0	00:00	0
0 0.000 gal						
PCTB02209	JUNCTION	0.00	46.22	0	14:00	0
14 1.122						

Existing Conditions (10-Year)

PCTB02209-S	JUNCTION	0.00	0.00	0	00:00	0
0 0.000 gal						
PCTB02220	JUNCTION	0.00	240.79	0	00:06	0
18.1 1.217						
PCTB02229	JUNCTION	0.00	244.80	0	00:06	0
17.9 0.657						
PCTB02229-S	JUNCTION	0.00	0.00	0	00:00	0
0 0.000 gal						
PCTB02231	JUNCTION	0.00	147.02	0	00:06	0
17.7 0.696						
PCTB02231-S	JUNCTION	0.00	0.00	0	00:00	0
0 0.000 gal						
PCTB02233	JUNCTION	0.00	0.00	0	00:00	0
0 0.000 gal						
PCTB02235	JUNCTION	0.00	106.00	0	00:08	0
17.6 0.529						
PCTB02235-S	JUNCTION	27.59	27.59	0	12:29	3.35
3.35 -0.851						
PCTB02237	JUNCTION	0.00	91.76	0	00:10	0
15.3 1.672						
PCTB02237-S	JUNCTION	0.00	9.16	0	11:55	0
0.894 -0.023						
PCTB02257	JUNCTION	0.00	29.58	0	12:46	0
9.1 0.226						
PCTB02257_1	JUNCTION	0.00	46.20	0	12:32	0
13.6 0.385						
PCTB02257_1-S	JUNCTION	8.25	8.25	0	12:29	1.09
1.09 -3.908						
PCTB02257-S	JUNCTION	0.00	13.25	0	13:00	0
1.81 -0.069						
PCTB02260	JUNCTION	0.00	46.13	0	14:00	0
13.7 0.306						
PCTB02260-S	JUNCTION	0.00	0.00	0	00:00	0
0 0.000 gal						
PCTB02262	JUNCTION	0.00	46.15	0	14:00	0
13.8 1.068						
PCTB02262-S	JUNCTION	0.00	0.00	0	00:00	0
0 0.000 gal						
PCTB02275	JUNCTION	0.00	13.61	0	12:31	0
3.54 0.509						
PCTB02275-S	JUNCTION	0.00	4.40	0	12:30	0
0.187 -5.400						
PCTB02276	JUNCTION	0.00	12.23	0	14:57	0
3.33 0.572						
PCTB02276-S	JUNCTION	0.00	0.00	0	00:00	0
0 0.000 gal						
PCTB02278	JUNCTION	0.00	19.14	0	13:19	0
3.33 2.855						
PCTB02278-S	JUNCTION	0.00	7.28	0	13:53	0
0.00518 47.903						
PCTB02280	JUNCTION	0.00	18.93	0	12:32	0
10.1 0.013						
PCTB02280-S	JUNCTION	0.00	29.28	0	12:30	0
7.6 0.188						
PCTB02281	JUNCTION	0.00	9.66	0	12:00	0
3.45 0.039						
PCTB02281-S	JUNCTION	0.00	12.16	0	11:59	0
2.76 0.137						
PCTB02282	JUNCTION	0.00	6.65	0	12:30	0
2.96 0.035						
PCTB02282-S	JUNCTION	11.96	11.96	0	12:29	1
1 -0.028						

Existing Conditions (10-Year)

PCTB02283	JUNCTION	0.00	11.10	0	12:30	0
3.09 0.022						
PCTB02283-S	JUNCTION	0.00	4.50	0	12:30	0
0.128 -5.217						
PCTB02284	JUNCTION	0.00	3.14	0	00:13	0
0.00117 44.028						
PCTB02284-S	JUNCTION	0.00	0.00	0	00:00	0
0 0.000 gal						
PCTB02292	JUNCTION	0.00	255.36	0	00:13	0
44.1 1.563						
PCTB02292-S	JUNCTION	19.42	27.68	0	12:29	2.38
7.53 0.030						
PCTB02294	JUNCTION	0.00	279.20	0	00:11	0
50.9 1.001						
PCTB02294-S	JUNCTION	12.57	22.71	0	12:29	1.6
7.97 0.063						
PCTB02295	JUNCTION	0.00	283.07	0	00:11	0
58.8 0.149						
PCTB02295-S	JUNCTION	0.00	35.07	0	12:30	0
15.8 0.023						
PCTB02297	JUNCTION	0.00	5.45	0	12:30	0
0.985 0.310						
PCTB02297-S	JUNCTION	9.96	9.96	0	12:29	1.17
1.17 -0.109						
PCTB02302	JUNCTION	0.00	112.12	0	00:13	0
33.4 0.287						
PCTB02302-S	JUNCTION	0.00	7.09	0	00:22	0
0.671 1.382						
PCTB02303	JUNCTION	0.00	64.18	0	12:31	0
34.3 0.062						
PCTB02303-S	JUNCTION	20.42	20.42	0	12:29	2.61
2.61 -0.026						
PCTB02304	JUNCTION	0.00	72.85	0	12:31	0
36.7 0.027						
PCTB02304-S	JUNCTION	26.19	35.71	0	12:29	2.8
3.65 -0.514						
PCTB02312	JUNCTION	0.00	176.27	0	00:12	0
35.2 0.766						
PCTB02312-S	JUNCTION	0.00	8.21	0	12:43	0
0.109 6.039						
PCTB02329	JUNCTION	0.00	8.02	0	12:31	0
1.85 0.064						
PCTB02329-S	JUNCTION	0.00	2.32	0	12:30	0
0.0349 -0.338						
PCTB02330	JUNCTION	0.00	6.07	0	11:57	0
1.81 0.093						
PCTB02330-S	JUNCTION	0.00	6.81	0	12:30	0
0.168 0.005						
PCTB02331	JUNCTION	0.00	8.01	0	12:30	0
1.94 0.073						
PCTB02331-S	JUNCTION	15.63	15.63	0	12:29	1.53
1.53 -1.970						
PCTB02332	JUNCTION	0.00	3.04	0	12:31	0
0.729 0.325						
PCTB02332-S	JUNCTION	0.00	0.74	0	12:30	0
0.00338 -0.009						
TRMB02002	JUNCTION	0.00	54.49	0	12:01	0
5.85 0.001						
TRMB02002-S	JUNCTION	3.90	3.90	0	11:59	0.188
0.188 -30.491						
TRMB02003	JUNCTION	0.00	51.82	0	12:01	0
5.61 0.217						

Existing Conditions (10-Year)

TRMB02003-S	JUNCTION	0.00	9.95	0	12:00	0
0.129 -4.354						
TRMB02006	JUNCTION	0.00	45.24	0	12:00	0
5.47 0.033						
TRMB02006-S	JUNCTION	0.00	14.03	0	12:00	0
0.236 -4.906						
TRMB02009	JUNCTION	0.00	40.59	0	12:00	0
5.34 -0.039						
TRMB02009-S	JUNCTION	19.40	19.40	0	11:59	0.829
0.829 -3.606						
TRMB02012	JUNCTION	0.00	35.53	0	11:59	0
4.72 0.026						
TRMB02012-S	JUNCTION	0.00	0.38	0	12:00	0
0.00652 -21.540						
TRMB02015	JUNCTION	0.00	35.16	0	11:59	0
4.71 0.019						
TRMB02015-S	JUNCTION	0.00	29.32	0	12:00	0
0.322 -1.437						
TRMB02016	JUNCTION	0.00	26.48	0	11:59	0
4.5 0.003						
TRMB02016-S	JUNCTION	8.51	29.34	0	11:59	0.351
0.73 -5.840						
TRMB02018	JUNCTION	0.00	19.51	0	11:52	0
4.05 0.016						
TRMB02018-S	JUNCTION	6.86	26.83	0	11:59	0.298
0.707 -7.307						
TRMB02022	JUNCTION	0.00	35.90	0	12:00	0
4.31 0.083						
TRMB02022-S	JUNCTION	3.51	41.01	0	12:00	0.147
0.889 -2.138						
TRMB02023	JUNCTION	0.00	8.67	0	12:00	0
0.97 -0.051						
TRMB02023-S	JUNCTION	8.21	8.21	0	11:59	0.346
0.346 -14.439						
TRMB02030	JUNCTION	0.00	12.19	0	12:00	0
0.736 0.022						
TRMB02030-S	JUNCTION	0.00	0.57	0	12:00	0
0.005 -7.974						
TRMB02032	JUNCTION	0.00	11.62	0	12:00	0
0.73 0.029						
TRMB02032-S	JUNCTION	0.00	2.84	0	12:00	0
0.0152 -0.048						
TRMB02033	JUNCTION	0.00	9.62	0	11:48	0
0.716 0.010						
TRMB02033-S	JUNCTION	0.00	7.86	0	12:00	0
0.0915 -0.118						
TRMB02034	JUNCTION	0.00	9.11	0	12:00	0
0.708 -0.006						
TRMB02034-S	JUNCTION	0.00	12.91	0	12:00	0
0.21 -2.728						
TRMB02035	JUNCTION	0.00	5.38	0	12:00	0
0.601 -0.184						
TRMB02035-S	JUNCTION	18.35	18.35	0	11:59	0.795
0.795 -2.068						
TRMB02044	JUNCTION	0.00	19.72	0	11:48	0
1.81 0.049						
TRMB02044_DS	JUNCTION	0.00	18.57	0	12:00	0
2.88 0.103						
TRMB02044_DS-S	JUNCTION	41.57	41.57	0	11:59	1.76
1.76 -1.414						
TRMB02044-S	JUNCTION	0.00	0.00	0	00:00	0
0 0.000 gal						

Existing Conditions (10-Year)

TRMB02045	JUNCTION	0.00	19.76	0	11:48	0	
1.81 0.052							
TRMB02045-S	JUNCTION	0.00	0.00	0	00:00	0	
0 0.000 gal							
TRMB02046	JUNCTION	0.00	8.64	0	11:49	0	
0.521 0.007							
TRMB02046-S	JUNCTION	0.00	0.50	0	12:00	0	
0.0045 -58.884							
TRMB02047	JUNCTION	0.00	7.66	0	12:00	0	
0.509 -0.162							
TRMB02047-S	JUNCTION	4.22	4.22	0	11:59	0.183	
0.183 -34.774							
TRMB02048	JUNCTION	0.00	3.98	0	12:00	0	
0.233 -0.043							
TRMB02048-S	JUNCTION	0.00	0.39	0	12:00	0	
0.00349 -56.691							
TRMB02049	JUNCTION	0.00	3.59	0	12:00	0	
0.224 -0.405							
TRMB02049-S	JUNCTION	3.99	3.99	0	11:59	0.178	
0.178 -21.626							
TRMB02050	JUNCTION	0.00	14.11	0	11:48	0	
1.29 0.062							
TRMB02050-S	JUNCTION	0.00	0.00	0	00:00	0	
0 0.000 gal							
TRMB02051	JUNCTION	0.00	14.11	0	11:48	0	
1.29 0.015							
TRMB02051-S	JUNCTION	3.34	3.34	0	11:59	0.142	
0.142 -42.018							
TRMB02052	JUNCTION	0.00	24.33	0	12:00	0	
1.36 0.027							
TRMB02052-S	JUNCTION	0.00	0.55	0	12:00	0	
0.00258 -63.171							
TRMB02056	JUNCTION	0.00	23.78	0	12:00	0	
1.36 0.015							
TRMB02056-S	JUNCTION	0.00	3.44	0	12:00	0	
0.029 -0.698							
TRMB02057	JUNCTION	0.00	20.72	0	12:00	0	
1.33 0.043							
TRMB02057-S	JUNCTION	0.00	8.29	0	12:00	0	
0.125 -12.682							
TRMB02060	JUNCTION	0.00	15.92	0	12:00	0	
1.21 -0.133							
TRMB02060-S	JUNCTION	13.11	13.11	0	11:59	0.561	
0.561 -9.926							
TRMB02063	JUNCTION	0.00	11.32	0	11:59	0	
0.717 0.039							
TRMB02063-S	JUNCTION	0.00	0.01	0	12:00	0	1.77e-
005 -11.894							
TRMB02064	JUNCTION	0.00	11.28	0	12:00	0	
0.717 0.043							
TRMB02064-S	JUNCTION	0.00	1.67	0	12:00	0	
0.014 -10.923							
TRMB02067	JUNCTION	0.00	9.64	0	12:00	0	
0.701 0.013							
TRMB02067-S	JUNCTION	3.79	5.79	0	11:59	0.168	
0.193 -27.414							
TRMB02068	JUNCTION	0.00	5.60	0	12:00	0	
0.449 -0.119							
TRMB02068-S	JUNCTION	5.77	5.77	0	11:59	0.252	
0.252 -25.261							
TRMB02069	JUNCTION	0.00	1.88	0	12:00	0	
0.136 -0.062							

Existing Conditions (10-Year)

TRMB02069-S	JUNCTION	0.00	0.01	0	11:31	0	
0.00013 -78.933							
TRMB02070	JUNCTION	0.00	1.83	0	11:59	0	
0.136 0.111							
TRMB02070-S	JUNCTION	1.85	1.85	0	11:59	0.0831	
0.0831 -38.801							
TRMB03016	JUNCTION	11.65	35.95	0	11:59	0.54	
3.11 0.016							
TRMB03016-S	JUNCTION	0.00	0.00	0	00:00	0	
0 0.000 gal							
TRMB03022	JUNCTION	0.00	32.59	0	12:29	0	
2.61 0.014							
TRMB03022-S	JUNCTION	0.00	5.48	0	11:59	0	
0.0148 -47.015							
TRMB03025	JUNCTION	0.00	27.27	0	12:30	0	
2.54 -0.017							
TRMB03025-S	JUNCTION	3.36	3.36	0	11:59	0.146	
0.146 -41.627							
TRMB03026	JUNCTION	0.00	0.96	0	12:00	0	
0.0416 0.069							
TRMB03027	JUNCTION	0.96	0.96	0	11:59	0.0416	
0.0416 0.022							
TRMB03028	JUNCTION	0.00	25.25	0	12:32	0	
2.29 0.025							
TRMB03028-S	JUNCTION	0.00	0.00	0	00:00	0	
0 0.000 gal							
TRMB03029	JUNCTION	0.00	25.25	0	12:32	0	
2.29 0.012							
TRMB03029-S	JUNCTION	0.00	0.00	0	00:00	0	
0 0.000 gal							
TRMB03030	JUNCTION	0.00	77.84	0	12:33	0	
2.32 0.148							
TRMB03030-S	JUNCTION	0.00	0.00	0	00:00	0	
0 0.000 gal							
TRMB03031	JUNCTION	0.00	45.90	0	12:34	0	
2.32 0.018							
TRMB03031-S	JUNCTION	3.93	3.97	0	11:59	0.182	
0.183 -28.395							
TRMB03032	JUNCTION	0.00	24.84	0	12:31	0	
2.04 0.070							
TRMB03032-S	JUNCTION	1.98	1.98	0	11:59	0.0981	
0.0981 -44.248							
TRMB03033	JUNCTION	0.00	3.05	0	12:00	0	
0.0318 -0.021							
TRMB03033-S	JUNCTION	0.00	0.66	0	12:00	0	
0.00404 -7.192							
TRMB03034	JUNCTION	0.00	6.98	0	11:48	0	
0.428 -0.115							
TRMB03034-S	JUNCTION	0.00	5.09	0	12:00	0	
0.0651 -9.046							
TRMB03035	JUNCTION	0.00	3.08	0	11:52	0	
0.00228 -3.129							
TRMB03035-S	JUNCTION	0.00	0.00	0	12:00	0	1.34e-
007 -1.220 gal							
TRMB03036	JUNCTION	0.00	23.28	0	12:31	0	
1.87 0.066							
TRMB03036-S	JUNCTION	0.00	1.00	0	12:00	0	
0.00612 -0.526							
TRMB03037	JUNCTION	0.00	4.93	0	12:00	0	
0.392 -0.414							
TRMB03037-S	JUNCTION	10.03	10.03	0	11:59	0.434	
0.434 -5.037							

Existing Conditions (10-Year)

TRMB03038	JUNCTION	0.00	1.34	0	11:52	0
0.00257		-1.499				
TRMB03038-S	JUNCTION	0.00	0.00	0	00:00	0
0		0.000 gal				
TRMB03039	JUNCTION	0.00	19.25	0	11:49	0
1.46		0.051				
TRMB03039-S	JUNCTION	0.00	4.92	0	12:00	0
0.0693		-8.056				
TRMB03042	JUNCTION	0.00	4.35	0	12:00	0
0.393		-0.639				
TRMB03042-S	JUNCTION	9.33	9.33	0	11:59	0.413
0.413		-10.675				
TRMB03043	JUNCTION	0.00	11.03	0	11:50	0
0.677		0.049				
TRMB03043-S	JUNCTION	0.00	0.29	0	12:00	0
0.00228		-2.436				
TRMB03044	JUNCTION	0.00	6.50	0	12:00	0
0.33		-1.130				
TRMB03044-S	JUNCTION	6.06	6.94	0	11:59	0.269
0.276		-16.503				
TRMB03049	JUNCTION	0.00	1.47	0	11:49	0
0.000556		1.397				
TRMB03049-S	JUNCTION	0.00	0.00	0	00:00	0
0		0.000 gal				
TRMB03051	JUNCTION	0.00	12.26	0	11:50	0
0.772		0.029				
TRMB03051-S	JUNCTION	0.00	0.85	0	12:00	0
0.00592		-19.992				
TRMB03052	JUNCTION	0.00	2.56	0	11:51	0
0.000578		-5.633				
TRMB03052-S	JUNCTION	0.00	0.00	0	00:00	0
0		0.000 gal				
TRMB03054	JUNCTION	0.00	8.91	0	12:00	0
0.494		0.066				
TRMB03054-S	JUNCTION	0.00	5.07	0	12:00	0
0.0683		-12.818				
TRMB03055	JUNCTION	0.00	5.12	0	12:00	0
0.335		-0.098				
TRMB03055-S	JUNCTION	5.85	5.85	0	11:59	0.256
0.256		-24.560				
TRMB03063	JUNCTION	0.00	4.60	0	12:00	0
0.416		-0.207				
TRMB03063-S	JUNCTION	9.68	9.68	0	11:59	0.429
0.429		-11.386				
TRMB03065	JUNCTION	0.00	86.49	0	12:00	0
5.47		0.012				
TRMB03065-S	JUNCTION	0.00	1.23	0	12:00	0
0.0122		-27.444				
TRMB03067	JUNCTION	0.00	0.98	0	11:48	0
0.0884		0.831				
TRMB03067-S	JUNCTION	0.34	0.34	0	11:59	0.019
0.019		-78.552				
TRMB03068	JUNCTION	0.00	4.73	0	11:56	0
0.439		-0.388				
TRMB03068-S	JUNCTION	10.72	10.72	0	11:59	0.51
0.51		-6.670				
TRMB03069	JUNCTION	0.00	86.41	0	11:56	0
5.37		0.010				
TRMB03069-S	JUNCTION	0.00	6.66	0	12:00	0
0.107		-8.889				
TRMB03070	JUNCTION	0.00	76.72	0	12:00	0
4.83		0.015				

Existing Conditions (10-Year)

TRMB03070-S	JUNCTION	0.00	2.69	0	12:00	0
0.0283 -31.217						
TRMB03072	JUNCTION	0.00	70.86	0	12:00	0
4.51 0.011						
TRMB03072-S	JUNCTION	0.00	0.00	0	00:00	0
0 0.000 gal						
TRMB03073	JUNCTION	0.00	3.33	0	12:00	0
0.278 -0.576						
TRMB03073-S	JUNCTION	4.89	4.89	0	11:59	0.236
0.236 -20.401						
TRMB03083	JUNCTION	0.00	64.10	0	12:01	0
4.1 0.009						
TRMB03083-S	JUNCTION	0.00	0.00	0	00:00	0
0 0.000 gal						
TRMB03084	JUNCTION	0.00	6.84	0	12:00	0
0.41 0.091						
TRMB03084-S	JUNCTION	0.00	3.08	0	12:00	0
0.0403 -25.919						
TRMB03087	JUNCTION	0.00	64.21	0	12:01	0
4.1 0.034						
TRMB03087-S	JUNCTION	8.49	8.49	0	11:59	0.437
0.437 -13.476						
TRMB03088	JUNCTION	0.00	58.07	0	12:00	0
3.6 0.041						
TRMB03088-S	JUNCTION	0.00	0.00	0	00:00	0
0 0.000 gal						
TRMB03089	JUNCTION	0.00	58.09	0	12:00	0
3.6 0.011						
TRMB03089-S	JUNCTION	0.00	0.00	0	00:00	0
0 0.000 gal						
TRMB03090	JUNCTION	0.00	58.06	0	12:00	0
3.6 0.059						
TRMB03090-S	JUNCTION	0.00	23.93	0	12:00	0
0.257 -4.086						
TRMB03091	JUNCTION	0.00	45.78	0	12:00	0
3.08 0.028						
TRMB03091-S	JUNCTION	2.70	27.28	0	12:00	0.136
0.414 -19.127						
TRMB03092	JUNCTION	0.00	3.67	0	12:00	0
0.312 -1.165						
TRMB03092-S	JUNCTION	6.07	6.07	0	11:59	0.288
0.288 -16.340						
TRMB03094	JUNCTION	0.00	40.29	0	12:00	0
2.79 0.006						
TRMB03094-S	JUNCTION	0.10	37.18	0	12:00	0.00411
0.519 -4.180						
TRMB03095	JUNCTION	0.00	6.21	0	12:00	0
0.114 0.125						
TRMB03095-S	JUNCTION	0.01	7.31	0	11:52	0.00053
0.102 -10.320						
TRMB03096	JUNCTION	0.00	23.38	0	12:00	0
2.01 0.040						
TRMB03096-S	JUNCTION	0.00	31.77	0	12:00	0
0.468 -1.215						
TRMB03097	JUNCTION	0.00	4.54	0	12:00	0
0.506 -0.534						
TRMB03097-S	JUNCTION	15.35	15.35	0	11:59	0.647
0.647 -3.867						
TRMB03101	JUNCTION	0.00	0.49	0	12:58	0
0.0439 1.036						
TRMB03101-S	JUNCTION	0.11	0.11	0	12:29	0.00575
0.00575 -86.899						

Existing Conditions (10-Year)

TRMB03102	JUNCTION	0.00	18.01	0	12:00	0	
1.84 0.054							
TRMB03102-S	JUNCTION	1.78	37.90	0	12:00	0.0889	
0.706 -7.833							
TRMB03103	JUNCTION	0.00	11.92	0	12:00	0	
1.54 -0.066							
TRMB03103-S	JUNCTION	11.83	41.99	0	11:59	0.526	
1.14 -2.811							
TRMB03111	JUNCTION	0.00	6.11	0	12:00	0	
0.98 -0.118							
TRMB03111-S	JUNCTION	36.32	36.32	0	11:59	1.58	
1.58 -0.825							
TRMB03132	JUNCTION	0.00	3.85	0	12:00	0	
0.354 -0.494							
TRMB03132-S	JUNCTION	6.93	6.93	0	11:59	0.322	
0.322 -18.346							
TRMB04089	JUNCTION	0.00	8.42	0	12:30	0	
2.28 0.054							
TRMB04089-S	JUNCTION	121.09	121.09	0	12:29	7.49	
7.49 -0.069							
TRMB04265-S	JUNCTION	1.52	1.52	0	11:59	0.0712	
0.0712 0.000							
TRMB05002	JUNCTION	0.00	80.99	0	12:00	0	
8.96 0.008							
TRMB05002-S	JUNCTION	0.00	0.00	0	00:00	0	
0 0.000 gal							
TRMB05003	JUNCTION	0.00	81.01	0	12:00	0	
8.96 -0.008							
TRMB05003-S	JUNCTION	0.00	0.08	0	12:00	0	
0.000762 -81.704							
TRMB05004	JUNCTION	0.00	0.60	0	11:46	0	
0.0672 5.322							
TRMB05004-S	JUNCTION	0.48	0.48	0	11:59	0.0233	
0.0233 -65.291							
TRMB05005	JUNCTION	0.00	2.16	0	12:00	0	
0.179 0.093							
TRMB05005-S	JUNCTION	2.24	2.24	0	11:59	0.105	
0.105 -41.342							
TRMB05006	JUNCTION	0.00	78.47	0	12:01	0	
8.71 0.052							
TRMB05006-S	JUNCTION	0.00	0.01	0	11:47	0	6.86e-
005 -97.807							
TRMB05008	JUNCTION	0.00	2.11	0	12:00	0	
0.187 0.160							
TRMB05008-S	JUNCTION	2.12	2.12	0	11:59	0.0981	
0.0981 -47.396							
TRMB05009	JUNCTION	0.00	68.72	0	12:00	0	
7.81 0.033							
TRMB05009_DS	JUNCTION	0.00	73.07	0	12:00	0	
8.19 0.038							
TRMB05009_DS-S	JUNCTION	0.85	0.99	0	11:59	0.0382	
0.0418 -73.091							
TRMB05009-S	JUNCTION	0.00	3.88	0	12:34	0	
0.11 -0.513							
TRMB05010	JUNCTION	0.00	4.23	0	12:00	0	
0.337 -0.297							
TRMB05010-S	JUNCTION	2.64	2.64	0	11:59	0.127	
0.127 -40.369							
TRMB05011	JUNCTION	0.00	1.60	0	12:00	0	
0.125 0.018							
TRMB05011-S	JUNCTION	0.00	0.00	0	00:00	0	
0 0.000 gal							

Existing Conditions (10-Year)

TRMB05012	JUNCTION	0.00	1.61	0	11:59	0	
0.125 0.048							
TRMB05012-S	JUNCTION	1.61	1.61	0	11:59	0.0733	
0.0733 -41.222							
TRMB05013	JUNCTION	0.00	1.54	0	12:00	0	
0.132 0.399							
TRMB05013-S	JUNCTION	1.11	1.54	0	11:59	0.0476	
0.0566 -57.131							
TRMB05014	JUNCTION	0.00	2.85	0	12:00	0	
0.206 0.365							
TRMB05014-S	JUNCTION	2.39	2.86	0	11:59	0.11	
0.119 -42.202							
TRMB05015	JUNCTION	0.00	61.84	0	12:00	0	
7.39 0.043							
TRMB05015-S	JUNCTION	0.03	13.57	0	11:55	0.00142	
0.541 -3.082							
TRMB05016	JUNCTION	0.00	14.35	0	11:58	0	
1.18 0.012							
TRMB05016-S	JUNCTION	0.00	2.80	0	11:56	0	
0.078 -2.456							
TRMB05017	JUNCTION	0.00	40.31	0	12:34	0	
5.77 0.060							
TRMB05017_US	JUNCTION	0.00	17.10	0	12:29	0	
3.75 0.089							
TRMB05017_US-S	JUNCTION	2.72	114.38	0	12:30	0.119	
5.33 -0.158							
TRMB05017-S	JUNCTION	0.00	77.63	0	12:34	0	
3.59 -0.024							
TRMB05018	JUNCTION	0.00	3.59	0	12:00	0	
0.144 0.026							
TRMB05018-S	JUNCTION	0.00	2.39	0	11:55	0	
0.0673 -2.275							
TRMB05019	JUNCTION	0.00	11.47	0	11:59	0	
1.06 0.031							
TRMB05019-S	JUNCTION	0.00	0.14	0	11:56	0	
0.00279 -10.415							
TRMB05020	JUNCTION	0.00	0.38	0	11:55	0	
0.0366 0.806							
TRMB05020-S	JUNCTION	0.10	0.19	0	11:55	0.00396	
0.00573 -84.317							
TRMB05021	JUNCTION	0.00	11.33	0	11:59	0	
1.06 0.025							
TRMB05021-S	JUNCTION	0.00	0.01	0	11:36	0	4.62e-
005 -93.122							
TRMB05022	JUNCTION	0.00	1.32	0	12:00	0	
0.0768 0.679							
TRMB05022-S	JUNCTION	0.97	1.04	0	11:59	0.0445	
0.0458 -18.920							
TRMB05023	JUNCTION	0.00	4.77	0	12:08	0	
0.025 -5.721							
TRMB05023-S	JUNCTION	0.43	4.99	0	12:26	0.0185	
0.0248 -1.123							
TRMB05025	JUNCTION	0.00	8.66	0	11:49	0	
0.632 0.086							
TRMB05025-S	JUNCTION	0.57	26.36	0	11:59	0.0273	
1.05 -4.480							
TRMB05026	JUNCTION	0.00	3.42	0	12:00	0	
0.227 -0.016							
TRMB05026-S	JUNCTION	0.00	0.00	0	00:00	0	
0 0.000 gal							
TRMB05027	JUNCTION	0.00	8.66	0	11:48	0	
0.745 0.066							

Existing Conditions (10-Year)

TRMB05027-S	JUNCTION	0.56	33.48	0	11:59	0.0244
1.4 -3.350						
TRMB05028	JUNCTION	0.00	10.09	0	12:28	0
0.945 0.049						
TRMB05028-S	JUNCTION	0.11	0.43	0	12:00	0.00443
0.00637 -87.290						
TRMB05029	JUNCTION	0.00	1.36	0	11:59	0
0.116 -0.203						
TRMB05029-S	JUNCTION	1.36	1.36	0	11:59	0.0647
0.0647 -44.269						
TRMB05030	JUNCTION	0.00	3.66	0	11:50	0
0.295 0.161						
TRMB05030-S	JUNCTION	0.45	0.81	0	11:59	0.0221
0.0249 -71.912						
TRMB05031	JUNCTION	0.00	4.62	0	12:00	0
0.283 -0.338						
TRMB05031-S	JUNCTION	4.97	4.97	0	11:59	0.232
0.232 -18.333						
TRMB05032	JUNCTION	0.00	4.11	0	12:00	0
0.319 0.095						
TRMB05032-S	JUNCTION	1.62	1.72	0	11:59	0.0713
0.0733 -50.463						
TRMB05033	JUNCTION	0.00	3.60	0	12:00	0
0.232 1.133						
TRMB05033-S	JUNCTION	3.96	3.96	0	11:59	0.18
0.18 -23.525						
TRMB05034	JUNCTION	0.00	2.69	0	12:30	0
0.17 -0.627						
TRMB05034-S	JUNCTION	2.84	2.84	0	12:29	0.143
0.143 -16.644						
TRMB05035	JUNCTION	0.00	6.55	0	11:55	0
0.58 0.051						
TRMB05035-S	JUNCTION	0.07	0.18	0	12:00	0.0028
0.00393 -88.514						
TRMB05036	JUNCTION	0.00	2.87	0	12:00	0
0.267 0.241						
TRMB05036-S	JUNCTION	0.71	0.76	0	11:59	0.0314
0.0318 -70.049						
TRMB05037	JUNCTION	0.00	2.12	0	12:00	0
0.161 -0.169						
TRMB05037-S	JUNCTION	2.16	2.16	0	11:59	0.0997
0.0997 -38.080						
TRMB05038	JUNCTION	0.00	3.29	0	11:58	0
0.28 0.147						
TRMB05038-S	JUNCTION	1.57	1.57	0	11:59	0.0688
0.0688 -52.859						
TRMB05039	JUNCTION	0.00	1.76	0	12:00	0
0.134 -0.161						
TRMB05039-S	JUNCTION	1.75	1.76	0	11:59	0.0808
0.081 -39.641						
TRMB05040	JUNCTION	0.00	8.62	0	12:01	0
0.807 0.022						
TRMB05040-S	JUNCTION	3.38	3.38	0	11:59	0.156
0.156 -32.694						
TRMB05041	JUNCTION	0.00	11.49	0	12:00	0
1.01 0.051						
TRMB05041-S	JUNCTION	2.51	2.99	0	11:59	0.117
0.122 -39.232						
TRMB05042	JUNCTION	0.00	3.42	0	12:00	0
0.226 -0.406						
TRMB05042-S	JUNCTION	3.43	3.43	0	11:59	0.153
0.153 -32.321						

Existing Conditions (10-Year)

TRMB05043	JUNCTION	0.00	3.42	0	12:00	0
0.227	0.028					
TRMB05043-S	JUNCTION	0.00	0.00	0	00:00	0
0	0.000 gal					
TRMB05044	JUNCTION	0.00	1.22	0	12:00	0
0.0905	0.528					
TRMB05044-S	JUNCTION	0.82	0.86	0	11:59	0.0366
0.0372	-58.761					
TRMB05045	JUNCTION	0.00	13.50	0	12:00	0
1.23	0.071					
TRMB05045-S	JUNCTION	2.17	2.17	0	12:00	0.104
0.104	-25.454					
TRMB05046	JUNCTION	0.00	13.20	0	12:00	0
1.23	0.043					
TRMB05046-S	JUNCTION	0.00	0.04	0	12:00	0
0.000584	-72.047					
TRMB05047	JUNCTION	4.26	17.39	0	11:59	0.199
1.43	0.000					
TRMB05048	JUNCTION	0.00	13.15	0	12:00	0
1.23	0.018					
TRMB05048-S	JUNCTION	0.00	0.00	0	00:00	0
0	0.000 gal					
PCTB01066	OUTFALL	0.00	14.10	0	12:35	0
1.4	0.000					
PCTB02009	OUTFALL	77.24	107.47	0	12:30	11.2
18.9	0.000					
PCTB02081	OUTFALL	0.00	677.43	0	00:04	0
74.6	0.000					
TRMB02001	OUTFALL	0.00	54.46	0	12:01	0
5.85	0.000					
TRMB03012	OUTFALL	0.00	35.89	0	12:00	0
3.11	0.000					
TRMB03066	OUTFALL	0.00	86.49	0	12:00	0
5.47	0.000					
TRMB05001	OUTFALL	0.00	80.93	0	12:00	0
8.96	0.000					

Node Surcharge Summary

Surcharging occurs when water rises above the top of the highest conduit.

Node	Type	Hours Surcharged	Max. Height Above Crown Feet	Min. Depth Below Rim Feet
JMTB01003	JUNCTION	11.70	0.000	0.000
JMTB01003-S	JUNCTION	2.19	0.000	0.000
JMTB01004	JUNCTION	12.35	0.478	0.041
JMTB01005	JUNCTION	12.19	0.260	0.000
JMTB01006	JUNCTION	5.81	0.000	0.000
JMTB01006-S	JUNCTION	9.47	0.000	0.000
JMTB01102	JUNCTION	1.41	0.470	0.000
JMTB01103	JUNCTION	1.98	0.641	0.509
JMTB01104	JUNCTION	5.27	1.233	0.627
JMTB01105-S	JUNCTION	2.89	0.000	0.000
PCTB02003-S	JUNCTION	3.00	0.000	0.000
PCTB02012-S	JUNCTION	1.29	0.000	0.000
PCTB02022	JUNCTION	13.56	1.190	0.000
PCTB02023	JUNCTION	12.04	0.870	0.000

Existing Conditions (10-Year)

PCTB02189	JUNCTION	23.69	1.690	0.000
PCTB02189-S	JUNCTION	0.15	0.000	0.000
PCTB02191	JUNCTION	23.70	2.090	0.000
PCTB02191_DS-S	JUNCTION	23.63	0.000	0.000
PCTB02235-S	JUNCTION	1.63	0.000	0.000
PCTB02237	JUNCTION	4.29	0.094	1.456
PCTB02257-S	JUNCTION	3.14	0.000	0.000
PCTB02280	JUNCTION	23.57	2.440	0.000
PCTB02280-S	JUNCTION	4.14	0.000	0.000
PCTB02281	JUNCTION	23.56	2.360	0.000
PCTB02282	JUNCTION	23.54	2.328	1.812
PCTB02283	JUNCTION	23.53	1.700	0.000
PCTB02284	JUNCTION	23.53	1.670	0.000
PCTB02295-S	JUNCTION	23.61	0.000	0.000
PCTB02297	JUNCTION	23.50	1.650	0.000
PCTB02303	JUNCTION	23.47	2.120	0.000
PCTB02304	JUNCTION	23.46	0.230	0.000
PCTB02304-S	JUNCTION	5.13	0.000	0.000
PCTB02329	JUNCTION	8.84	0.570	0.000
PCTB02330	JUNCTION	10.21	1.254	0.366
PCTB02331	JUNCTION	12.26	1.320	0.000
PCTB02332	JUNCTION	13.14	1.308	0.662
TRMB02003	JUNCTION	23.12	3.879	2.821
TRMB02006	JUNCTION	0.95	5.704	1.096
TRMB02015	JUNCTION	0.83	0.609	0.981
TRMB02015-S	JUNCTION	0.57	0.000	0.000
TRMB02016	JUNCTION	0.96	1.031	0.549
TRMB02018	JUNCTION	2.22	2.790	0.960
TRMB02022	JUNCTION	2.29	2.780	0.000
TRMB02022-S	JUNCTION	0.21	0.000	0.000
TRMB02023	JUNCTION	1.65	1.062	0.108
TRMB02030	JUNCTION	1.59	0.800	0.000
TRMB02032	JUNCTION	0.79	2.173	0.967
TRMB02033	JUNCTION	0.72	1.951	0.469
TRMB02034	JUNCTION	1.47	2.380	0.000
TRMB02035	JUNCTION	0.90	1.120	0.000
TRMB02044	JUNCTION	0.88	4.200	0.000
TRMB02044_DS	JUNCTION	2.50	6.870	0.000
TRMB02045	JUNCTION	0.92	3.706	0.254
TRMB02046	JUNCTION	0.69	2.100	0.000
TRMB02050	JUNCTION	0.93	3.125	0.025
TRMB02051	JUNCTION	0.94	1.810	0.000
TRMB02052	JUNCTION	0.92	1.550	0.000
TRMB02056	JUNCTION	0.90	1.790	0.000
TRMB02057	JUNCTION	0.88	1.800	0.000
TRMB02060	JUNCTION	0.66	3.562	1.378
TRMB02064	JUNCTION	0.26	0.908	1.112
TRMB02067	JUNCTION	0.85	3.643	0.047
TRMB02068	JUNCTION	0.77	5.130	0.160
TRMB02069	JUNCTION	0.73	5.580	0.000
TRMB02070	JUNCTION	0.72	5.271	0.359
TRMB03016-S	JUNCTION	23.75	0.000	0.000
TRMB03022	JUNCTION	0.60	0.000	0.000
TRMB03028	JUNCTION	1.06	1.139	4.171
TRMB03029	JUNCTION	0.97	1.318	2.032
TRMB03032	JUNCTION	0.87	3.328	2.032
TRMB03033	JUNCTION	0.76	1.430	0.000
TRMB03034	JUNCTION	0.76	1.770	0.000
TRMB03035	JUNCTION	0.31	2.160	0.000
TRMB03036	JUNCTION	0.89	3.891	1.659
TRMB03037	JUNCTION	0.83	1.920	0.000
TRMB03038	JUNCTION	0.01	1.982	0.878

Existing Conditions (10-Year)

TRMB03039	JUNCTION	0.83	4.367	0.193
TRMB03043	JUNCTION	0.80	2.270	0.000
TRMB03044	JUNCTION	0.73	1.620	0.000
TRMB03049	JUNCTION	0.81	3.218	0.002
TRMB03051	JUNCTION	0.72	0.810	0.000
TRMB03052	JUNCTION	0.68	0.330	0.000
TRMB03054	JUNCTION	0.71	0.930	0.000
TRMB03055	JUNCTION	0.83	1.470	0.000
TRMB03065	JUNCTION	0.62	2.455	6.015
TRMB03068	JUNCTION	0.61	5.010	4.040
TRMB03069	JUNCTION	0.61	2.502	5.328
TRMB03070	JUNCTION	0.57	2.630	3.930
TRMB03083	JUNCTION	0.82	1.155	5.185
TRMB03084	JUNCTION	0.71	0.295	7.155
TRMB03087	JUNCTION	0.87	3.370	0.000
TRMB03090	JUNCTION	0.75	0.795	2.785
TRMB03090-S	JUNCTION	0.57	0.000	0.000
TRMB04265-S	JUNCTION	23.75	0.000	0.000
TRMB05003	JUNCTION	0.25	0.161	4.139
TRMB05004	JUNCTION	5.61	2.599	3.141
TRMB05005	JUNCTION	2.83	1.878	5.012
TRMB05006	JUNCTION	0.66	1.008	4.092
TRMB05008	JUNCTION	0.59	0.542	2.108
TRMB05017_US-S	JUNCTION	0.66	0.000	0.000
TRMB05019	JUNCTION	0.77	0.741	1.259
TRMB05021	JUNCTION	0.75	1.255	0.445
TRMB05025-S	JUNCTION	1.36	0.000	0.000
TRMB05027-S	JUNCTION	1.79	0.000	0.000
TRMB05028	JUNCTION	0.76	1.727	0.273
TRMB05029	JUNCTION	0.76	1.382	0.568
TRMB05030	JUNCTION	0.74	1.500	0.000
TRMB05031	JUNCTION	0.68	0.770	0.000
TRMB05032	JUNCTION	0.70	1.150	0.000
TRMB05033	JUNCTION	0.75	1.500	0.000
TRMB05034	JUNCTION	0.70	1.150	0.000
TRMB05035	JUNCTION	0.03	0.104	1.496
TRMB05036	JUNCTION	0.02	0.105	0.995
TRMB05040	JUNCTION	0.64	4.231	1.319
TRMB05041	JUNCTION	0.70	3.342	0.508
TRMB05042	JUNCTION	0.21	0.301	1.099
TRMB05044	JUNCTION	0.63	2.300	0.000
TRMB05045	JUNCTION	0.69	3.007	1.293
TRMB05046	JUNCTION	0.23	0.463	2.437
TRMB05047	JUNCTION	23.46	0.000	0.000

Node Flooding Summary

Flooding refers to all water that overflows a node, whether it ponds or not.

Node	Hours Flooded	Maximum Rate CFS	Time of Max Occurrence days hr:min	Total Flood Volume 10^6 gal	Maximum Ponded Depth Feet
JMTB01003	11.69	28.53	0 12:30	3.923	0.000
JMTB01003-S	2.18	16.01	0 12:30	0.381	0.000
JMTB01005	9.75	1.35	0 13:45	0.109	0.000
JMTB01006	5.74	0.69	0 13:37	0.072	0.000
JMTB01006-S	9.45	46.32	0 12:30	3.826	0.000

Existing Conditions (10-Year)

JMTB01102	0.33	0.84	0	12:30	0.004	0.000
JMTB01105-S	2.87	6.50	0	12:30	0.161	0.000
PCTB02003-S	3.00	14.23	0	12:30	0.395	0.000
PCTB02012-S	1.29	1.48	0	12:30	0.024	0.000
PCTB02022	8.59	5.89	0	12:30	0.523	0.000
PCTB02023	6.92	12.10	0	12:30	0.682	0.000
PCTB02189	0.01	15.48	0	00:03	0.001	0.000
PCTB02189-S	0.14	2.91	0	12:29	0.006	0.000
PCTB02191	23.63	48.69	0	12:31	24.628	0.000
PCTB02191_DS-S	23.63	64.61	0	12:31	10.074	0.000
PCTB02235-S	1.62	11.44	0	12:30	0.200	0.000
PCTB02257-S	3.13	4.59	0	13:00	0.229	0.000
PCTB02280	23.50	18.93	0	12:32	10.084	0.000
PCTB02280-S	4.12	17.37	0	12:30	0.619	0.000
PCTB02281	12.51	4.42	0	12:00	0.909	0.000
PCTB02283	23.49	11.10	0	12:30	3.089	0.000
PCTB02284	0.01	2.66	0	00:13	0.000	0.000
PCTB02295-S	23.61	35.07	0	12:30	15.726	0.000
PCTB02297	6.93	3.33	0	12:30	0.289	0.000
PCTB02303	0.01	21.73	0	00:14	0.000	0.000
PCTB02304	23.44	72.84	0	12:31	36.707	0.000
PCTB02304-S	5.12	27.05	0	12:30	1.253	0.000
PCTB02329	0.61	1.38	0	12:31	0.009	0.000
PCTB02331	1.37	4.46	0	12:30	0.095	0.000
TRMB02015-S	0.57	20.64	0	12:00	0.117	0.000
TRMB02022	1.57	23.65	0	11:59	0.644	0.000
TRMB02022-S	0.20	12.38	0	12:00	0.037	0.000
TRMB02030	0.95	8.20	0	12:00	0.127	0.000
TRMB02034	0.82	5.08	0	12:00	0.069	0.000
TRMB02035	0.82	1.26	0	12:00	0.019	0.000
TRMB02044	0.01	8.91	0	11:48	0.000	0.000
TRMB02044_DS	0.01	0.58	0	11:49	0.000	0.000
TRMB02046	0.01	3.11	0	11:49	0.000	0.000
TRMB02051	0.01	2.90	0	11:49	0.000	0.000
TRMB02052	0.83	23.43	0	12:00	0.319	0.000
TRMB02056	0.01	2.06	0	11:48	0.000	0.000
TRMB02057	0.01	3.35	0	11:48	0.000	0.000
TRMB02069	0.01	0.80	0	11:48	0.000	0.000
TRMB03022	0.60	5.65	0	12:29	0.032	0.000
TRMB03033	0.72	3.05	0	12:00	0.031	0.000
TRMB03034	0.01	0.18	0	11:49	0.000	0.000
TRMB03035	0.01	2.74	0	11:52	0.000	0.000
TRMB03037	0.73	1.96	0	12:00	0.030	0.000
TRMB03043	0.01	8.24	0	11:50	0.000	0.000
TRMB03044	0.25	1.69	0	12:00	0.007	0.000
TRMB03051	0.69	8.55	0	12:00	0.096	0.000
TRMB03052	0.01	2.42	0	11:51	0.000	0.000
TRMB03054	0.24	7.59	0	11:51	0.005	0.000
TRMB03055	0.71	3.99	0	12:00	0.059	0.000
TRMB03087	0.03	0.16	0	12:01	0.000	0.000
TRMB03090-S	0.56	15.27	0	12:00	0.060	0.000
TRMB04265-S	23.72	1.52	0	11:59	0.071	0.000
TRMB05017_US-S	0.66	28.10	0	12:30	0.284	0.000
TRMB05025-S	1.36	17.70	0	11:59	0.466	0.000
TRMB05027-S	1.78	24.82	0	11:59	0.708	0.000
TRMB05030	0.01	0.09	0	11:51	0.000	0.000
TRMB05031	0.11	1.04	0	11:51	0.001	0.000
TRMB05032	0.25	0.58	0	12:00	0.001	0.000
TRMB05033	0.67	2.67	0	12:00	0.023	0.000
TRMB05034	0.01	0.49	0	11:50	0.000	0.000
TRMB05044	0.16	1.22	0	12:00	0.003	0.000
TRMB05047	23.46	17.39	0	11:59	1.430	0.000

Existing Conditions (10-Year)

 Outfall Loading Summary

Outfall Node	Flow Freq Pcnt	Avg Flow CFS	Max Flow CFS	Total Volume 10^6 gal
PCTB01066	99.80	2.82	14.10	1.400
PCTB02009	99.92	37.27	107.47	18.858
PCTB02081	100.00	111.71	677.43	74.551
TRMB02001	99.97	10.90	54.46	5.849
TRMB03012	99.83	6.02	35.89	3.106
TRMB03066	99.90	11.16	86.49	5.469
TRMB05001	99.89	17.49	80.93	8.956
System	99.90	197.36	677.49	118.189

 Link Flow Summary

Link	Type	Maximum Flow CFS	Time of Max Occurrence days hr:min	Maximum Veloc ft/sec	Max/ Full Flow	Max/ Full Depth
C1	CONDUIT	335.37	0 00:05	7.97	0.15	0.85
C14	CONDUIT	7.66	0 12:16	5.32	1.53	1.00
C2_1	CONDUIT	33.89	0 12:34	6.90	0.39	1.00
C2_1-S	CHANNEL	52.04	0 12:28	4.13	0.19	0.75
C2_2	CONDUIT	380.44	0 00:02	4.32	0.43	0.89
C3	CHANNEL	1.65	0 12:30	0.19	0.01	0.59
C9	CONDUIT	3.42	0 12:00	4.22	0.14	0.63
C9-S	CHANNEL	0.00	0 00:00	0.00	0.00	0.01
CountrySideE_Ditch	CONDUIT	15.92	0 21:21	2.00	0.91	1.00
CountrySideE_Ditch_Culvert	CONDUIT	20.92	0 12:46	3.15	0.22	0.68
CountrySideE_Ditch_Culvert-S	CHANNEL	13.25	0 13:00	2.68	0.13	
0.72						
JMTB01003	CONDUIT	8.58	0 11:37	2.73	0.59	1.00
JMTB01003-S	CHANNEL	5.55	0 11:51	0.61	0.02	0.61
JMTB01004	CONDUIT	8.56	0 11:37	4.84	1.11	1.00
JMTB01004-S	CHANNEL	1.03	0 11:52	2.81	0.01	0.11
JMTB01005	CONDUIT	8.54	0 11:37	3.56	1.19	1.00
JMTB01005-S	CHANNEL	0.00	0 12:20	0.00	0.00	0.51
JMTB01102	CONDUIT	8.46	0 12:00	3.09	0.41	1.00
JMTB01102-S	CHANNEL	7.97	0 12:30	0.84	0.04	0.62
JMTB01103	CONDUIT	14.73	0 12:29	4.69	1.34	1.00
JMTB01103_1	CONDUIT	23.39	0 12:30	3.77	0.82	0.95
JMTB01103-S	CHANNEL	3.82	0 12:30	0.73	0.03	0.62
JMTB01104	CONDUIT	2.63	0 12:30	2.14	0.41	1.00
JMTB01104-S	CHANNEL	0.24	0 12:30	0.91	0.00	0.17
PCTB01068	CONDUIT	14.10	0 12:35	3.72	0.24	0.31
PCTB01068_US	CONDUIT	7.41	0 12:34	3.61	0.24	0.35
PCTB01068_US-S	CHANNEL	7.45	0 12:30	0.95	0.33	0.67
PCTB02001	CONDUIT	10.23	0 13:01	0.18	0.05	0.99
PCTB02002	CONDUIT	7.63	0 12:16	3.39	0.51	0.97
PCTB02002-S	CHANNEL	0.00	0 00:00	0.00	0.00	0.36

Existing Conditions (10-Year)

PCTB02003	CONDUIT	5.60	0	12:33	3.52	0.54	0.60
PCTB02003-S	CHANNEL	22.89	0	12:30	2.38	0.31	0.89
PCTB02008	CONDUIT	36.10	0	13:21	4.39	0.81	0.56
PCTB02011	CONDUIT	18.62	0	13:44	4.21	0.14	0.50
PCTB02011_1	CONDUIT	20.66	0	13:44	1.16	0.16	0.55
PCTB02011-S	CHANNEL	2.09	0	12:24	0.28	0.01	0.53
PCTB02014	CONDUIT	9.18	0	15:19	2.84	0.14	0.97
PCTB02014_1	CONDUIT	10.01	0	13:18	1.37	0.07	0.76
PCTB02014-S	CHANNEL	3.87	0	13:32	0.56	0.02	0.52
PCTB02016	CONDUIT	4.11	0	14:52	2.92	0.52	0.79
PCTB02016-S	CHANNEL	0.00	0	00:00	0.00	0.00	0.00
PCTB02020	CONDUIT	4.12	0	14:53	0.45	0.13	0.91
PCTB02021	CONDUIT	4.12	0	14:51	0.55	0.80	1.00
PCTB02022	CONDUIT	2.31	0	19:37	1.88	1.37	1.00
PCTB02022-S	CHANNEL	7.94	0	12:30	2.23	0.16	0.74
PCTB02023	CONDUIT	3.04	0	12:30	1.72	0.97	1.00
PCTB02023-S	CHANNEL	0.00	0	12:30	0.00	0.00	0.39
PCTB02076	CONDUIT	369.73	0	00:05	6.92	0.15	0.91
PCTB02080	CONDUIT	677.43	0	00:04	12.70	30.88	1.00
PCTB02160	CONDUIT	301.15	0	00:06	9.60	0.66	0.83
PCTB02172	CONDUIT	396.73	0	00:05	5.88	0.10	0.97
PCTB02189	CONDUIT	17.44	0	00:03	3.89	0.60	1.00
PCTB02189-S	CHANNEL	58.18	0	12:24	4.61	0.73	0.75
PCTB02208	CONDUIT	46.31	0	14:11	5.39	0.54	0.83
PCTB02208-S	CHANNEL	0.00	0	00:00	0.00	0.00	0.00
PCTB02231	CONDUIT	147.02	0	00:06	6.32	2.12	1.00
PCTB02231-S	CHANNEL	0.00	0	00:00	0.00	0.00	0.00
PCTB02237	CONDUIT	91.76	0	00:10	6.16	0.82	1.00
PCTB02237-S	CHANNEL	9.16	0	11:55	1.02	0.15	0.88
PCTB02239	CONDUIT	0.00	0	00:00	0.00	0.00	0.50
PCTB02240	CONDUIT	66.60	0	00:12	2.12	0.10	0.94
PCTB02259_1	CONDUIT	29.59	0	14:13	0.52	0.15	0.73
PCTB02259_2	CONDUIT	46.13	0	14:00	1.20	0.11	0.73
PCTB02260	CONDUIT	46.15	0	14:00	3.63	0.49	0.73
PCTB02260-S	CHANNEL	0.00	0	00:00	0.00	0.00	0.00
PCTB02264	CONDUIT	46.22	0	14:00	1.52	0.06	0.76
PCTB02274	CONDUIT	20.22	0	12:30	2.19	0.04	0.35
PCTB02275	CONDUIT	13.56	0	12:31	2.48	0.26	0.82
PCTB02275-S	CHANNEL	4.40	0	12:30	4.83	0.01	0.21
PCTB02276	CONDUIT	12.24	0	14:57	1.94	1.29	0.82
PCTB02276-S	CHANNEL	0.00	0	00:00	0.00	0.00	0.11
PCTB02278	CONDUIT	12.23	0	14:57	3.89	0.92	1.00
PCTB02278-S	CHANNEL	0.00	0	00:00	0.00	0.00	0.37
PCTB02279	CONDUIT	12.93	0	12:37	0.92	0.02	0.50
PCTB02280	CONDUIT	5.25	0	00:23	4.28	1.05	1.00
PCTB02280-S	CHANNEL	27.63	0	12:30	2.78	0.37	0.83
PCTB02281	CONDUIT	5.24	0	16:35	4.27	0.77	1.00
PCTB02281-S	CHANNEL	10.27	0	11:59	1.02	0.08	0.88
PCTB02282	CONDUIT	4.08	0	00:22	3.33	0.64	1.00
PCTB02282-S	CHANNEL	2.01	0	12:30	0.50	0.01	0.38
PCTB02283	CONDUIT	6.66	0	12:30	5.42	1.56	1.00
PCTB02283-S	CHANNEL	4.50	0	12:30	5.57	0.01	0.23
PCTB02284	CONDUIT	3.14	0	00:13	2.71	0.73	1.00
PCTB02284-S	CHANNEL	0.00	0	00:00	0.00	0.00	0.13
PCTB02292	CONDUIT	255.26	0	00:13	3.92	0.41	0.79
PCTB02294	CONDUIT	273.67	0	00:11	14.25	1.16	1.00
PCTB02294-S	CHANNEL	22.70	0	12:30	1.87	0.16	0.77
PCTB02295	CONDUIT	283.07	0	00:11	3.83	0.40	0.66
PCTB02297	CONDUIT	2.51	0	00:14	2.09	0.77	1.00
PCTB02297-S	CHANNEL	4.27	0	12:30	0.51	0.09	0.57
PCTB02299	CONDUIT	240.79	0	00:06	5.25	0.10	0.62
PCTB02300	CONDUIT	244.80	0	00:06	4.39	0.07	0.57

Existing Conditions (10-Year)

PCTB02301	CONDUIT	105.87	0	00:08	5.23	0.40	0.91
PCTB02302	CONDUIT	101.70	0	00:13	2.92	0.21	0.92
PCTB02303	CONDUIT	63.00	0	00:25	5.28	0.41	1.00
PCTB02303-S	CHANNEL	6.67	0	12:30	1.82	0.02	0.40
PCTB02304	CONDUIT	64.18	0	12:31	3.76	0.25	1.00
PCTB02304-S	CHANNEL	9.53	0	12:30	1.52	0.02	0.62
PCTB02312	CONDUIT	162.80	0	00:12	3.48	0.24	0.94
PCTB02329	CONDUIT	6.06	0	11:57	3.43	2.30	1.00
PCTB02329-S	CHANNEL	2.32	0	12:30	2.98	0.02	0.17
PCTB02330	CONDUIT	5.19	0	11:52	2.94	1.63	1.00
PCTB02330-S	CHANNEL	6.81	0	12:30	0.84	0.06	0.56
PCTB02331	CONDUIT	2.64	0	13:13	1.49	2.82	1.00
PCTB02331-S	CHANNEL	0.74	0	12:30	0.14	0.01	0.43
TRMB02002	CONDUIT	54.46	0	12:01	14.40	0.53	0.53
TRMB02003	CONDUIT	51.82	0	12:01	8.89	0.33	0.77
TRMB02003-S	CHANNEL	1.11	0	12:00	4.52	0.00	0.36
TRMB02006	CONDUIT	45.24	0	12:00	9.22	1.06	1.00
TRMB02006-S	CHANNEL	8.86	0	12:00	4.04	0.06	0.46
TRMB02009	CONDUIT	40.31	0	12:01	10.40	0.59	0.81
TRMB02009-S	CHANNEL	14.03	0	12:00	5.83	0.05	0.32
TRMB02012	CONDUIT	35.70	0	12:00	8.96	0.96	0.77
TRMB02012-S	CHANNEL	0.38	0	12:00	0.53	0.03	0.16
TRMB02015	CONDUIT	35.15	0	11:59	7.29	1.08	0.98
TRMB02015-S	CHANNEL	0.00	0	12:00	0.00	0.00	0.50
TRMB02016	CONDUIT	26.50	0	11:59	5.40	1.26	1.00
TRMB02016-S	CHANNEL	29.32	0	12:00	2.48	0.38	0.96
TRMB02018	CONDUIT	19.50	0	11:52	6.21	1.40	1.00
TRMB02018-S	CHANNEL	20.84	0	12:00	2.61	0.15	0.70
TRMB02022	CONDUIT	17.90	0	13:10	5.70	1.46	1.00
TRMB02022-S	CHANNEL	19.97	0	12:00	1.66	0.68	0.73
TRMB02023	CONDUIT	8.67	0	12:00	2.76	0.40	1.00
TRMB02023-S	CHANNEL	2.95	0	12:00	0.30	0.04	0.65
TRMB02030	CONDUIT	5.09	0	12:42	4.24	0.51	1.00
TRMB02030-S	CHANNEL	0.41	0	12:00	0.65	0.01	0.15
TRMB02032	CONDUIT	11.61	0	12:00	6.57	1.26	1.00
TRMB02032-S	CHANNEL	0.17	0	12:00	2.59	0.00	0.05
TRMB02033	CONDUIT	9.36	0	12:03	6.64	0.56	1.00
TRMB02033-S	CHANNEL	2.84	0	12:00	2.30	0.05	0.21
TRMB02034	CONDUIT	7.18	0	11:48	9.15	1.49	1.00
TRMB02034-S	CHANNEL	7.86	0	12:00	3.20	0.06	0.33
TRMB02035	CONDUIT	4.17	0	12:35	5.37	0.78	1.00
TRMB02035-S	CHANNEL	12.91	0	12:00	3.96	0.08	0.36
TRMB02044_1	CONDUIT	12.35	0	11:50	3.93	0.56	1.00
TRMB02044_1-S	CHANNEL	0.00	0	00:00	0.00	0.00	0.28
TRMB02044_2	CONDUIT	18.57	0	12:00	5.91	3.26	1.00
TRMB02044_2-S	CHANNEL	34.60	0	12:00	3.18	0.25	0.78
TRMB02045	CONDUIT	19.72	0	11:48	6.28	1.44	1.00
TRMB02045-S	CHANNEL	0.00	0	00:00	0.00	0.00	0.00
TRMB02046	CONDUIT	8.16	0	12:00	4.86	0.21	1.00
TRMB02046-S	CHANNEL	0.00	0	00:00	0.00	0.00	0.00
TRMB02047	CONDUIT	8.59	0	11:49	8.67	0.46	0.79
TRMB02047-S	CHANNEL	0.50	0	12:00	2.06	0.01	0.09
TRMB02048	CONDUIT	3.97	0	12:00	6.51	0.88	0.74
TRMB02048-S	CHANNEL	0.00	0	12:00	0.00	0.00	0.09
TRMB02049	CONDUIT	3.59	0	12:00	5.87	0.82	0.74
TRMB02049-S	CHANNEL	0.39	0	12:00	1.82	0.01	0.09
TRMB02050	CONDUIT	14.10	0	11:48	4.49	1.89	1.00
TRMB02050-S	CHANNEL	0.00	0	00:00	0.00	0.00	0.00
TRMB02051	CONDUIT	14.11	0	11:48	4.49	1.90	1.00
TRMB02051-S	CHANNEL	0.00	0	00:00	0.00	0.00	0.06
TRMB02052	CONDUIT	11.73	0	11:48	3.73	0.59	1.00
TRMB02052-S	CHANNEL	0.22	0	12:00	1.80	0.00	0.07

Existing Conditions (10-Year)

TRMB02056	CONDUIT	23.78	0	12:00	7.57	1.19	1.00
TRMB02056-S	CHANNEL	0.34	0	12:00	2.85	0.00	0.06
TRMB02057	CONDUIT	20.72	0	12:00	6.60	1.07	1.00
TRMB02057-S	CHANNEL	3.44	0	12:00	2.74	0.03	0.22
TRMB02060	CONDUIT	15.93	0	12:00	5.07	0.84	1.00
TRMB02060-S	CHANNEL	8.29	0	12:00	4.58	0.04	0.30
TRMB02063	CONDUIT	11.24	0	12:00	7.34	0.66	0.81
TRMB02063-S	CHANNEL	0.00	0	12:00	0.00	0.00	0.15
TRMB02064	CONDUIT	11.28	0	12:00	7.37	1.29	0.81
TRMB02064-S	CHANNEL	0.01	0	12:00	1.00	0.00	0.02
TRMB02067	CONDUIT	9.64	0	12:00	7.85	3.45	1.00
TRMB02067-S	CHANNEL	1.67	0	12:00	3.67	0.01	0.13
TRMB02068	CONDUIT	5.62	0	11:48	4.58	1.26	1.00
TRMB02068-S	CHANNEL	2.01	0	12:00	1.87	0.01	0.20
TRMB02069	CONDUIT	2.12	0	11:48	2.04	0.33	1.00
TRMB02069-S	CHANNEL	0.00	0	11:31	0.00	0.00	0.09
TRMB02070	CONDUIT	1.84	0	11:59	2.87	0.44	1.00
TRMB02070-S	CHANNEL	0.01	0	11:31	1.04	0.00	0.02
TRMB03016	CONDUIT	35.89	0	12:00	9.28	0.77	0.73
TRMB03022	CONDUIT	25.32	0	12:39	9.50	1.22	1.00
TRMB03025	CONDUIT	27.25	0	12:30	10.57	0.61	0.78
TRMB03025-S	CHANNEL	0.82	0	11:56	6.92	0.00	0.20
TRMB03026	CONDUIT	0.96	0	12:00	10.15	0.06	0.59
TRMB03027	CONDUIT	0.96	0	12:00	4.38	0.26	0.32
TRMB03028	CONDUIT	25.26	0	12:32	9.65	5.65	0.78
TRMB03028-S	CHANNEL	0.00	0	00:00	0.00	0.00	0.05
TRMB03029	CONDUIT	25.25	0	12:32	8.04	1.04	1.00
TRMB03029-S	CHANNEL	0.00	0	00:00	0.00	0.00	0.00
TRMB03030	CONDUIT	25.25	0	12:32	8.04	1.17	1.00
TRMB03030-S	CHANNEL	0.00	0	00:00	0.00	0.00	0.00
TRMB03031	CONDUIT	77.84	0	12:33	2.74	0.03	0.45
TRMB03032	CONDUIT	24.85	0	12:31	9.86	1.25	0.89
TRMB03032-S	CHANNEL	0.04	0	12:00	0.13	0.00	0.12
TRMB03033	CONDUIT	2.38	0	12:00	1.94	0.23	1.00
TRMB03033-S	CHANNEL	0.66	0	12:00	2.73	0.00	0.09
TRMB03034	CONDUIT	5.86	0	11:48	7.50	0.93	1.00
TRMB03034-S	CHANNEL	0.71	0	12:00	2.72	0.01	0.10
TRMB03035	CONDUIT	3.08	0	11:52	2.73	0.05	1.00
TRMB03035-S	CHANNEL	0.00	0	12:00	0.00	0.00	0.01
TRMB03036	CONDUIT	23.28	0	12:31	7.41	1.73	1.00
TRMB03036-S	CHANNEL	0.00	0	12:00	0.04	0.00	0.03
TRMB03037	CONDUIT	4.63	0	11:48	5.97	1.15	1.00
TRMB03037-S	CHANNEL	5.09	0	12:00	3.05	0.04	0.25
TRMB03038	CONDUIT	1.34	0	11:52	2.33	0.10	1.00
TRMB03038-S	CHANNEL	0.00	0	00:00	0.00	0.00	0.01
TRMB03039	CONDUIT	17.05	0	11:52	5.43	0.72	1.00
TRMB03039-S	CHANNEL	0.29	0	12:00	1.77	0.00	0.08
TRMB03042	CONDUIT	4.35	0	12:00	4.79	0.38	0.71
TRMB03042-S	CHANNEL	4.92	0	12:00	5.21	0.02	0.20
TRMB03043	CONDUIT	11.35	0	12:38	4.03	0.82	1.00
TRMB03043-S	CHANNEL	0.29	0	12:00	2.03	0.00	0.07
TRMB03044	CONDUIT	5.14	0	11:52	3.84	0.42	1.00
TRMB03044-S	CHANNEL	0.91	0	12:00	0.28	0.01	0.35
TRMB03049	CONDUIT	1.47	0	11:49	1.20	0.16	1.00
TRMB03049-S	CHANNEL	0.00	0	00:00	0.00	0.00	0.00
TRMB03051	CONDUIT	10.69	0	11:50	7.50	0.20	1.00
TRMB03051-S	CHANNEL	0.00	0	12:00	0.00	0.00	0.01
TRMB03052	CONDUIT	2.56	0	11:51	3.34	0.30	1.00
TRMB03052-S	CHANNEL	0.00	0	00:00	0.00	0.00	0.00
TRMB03054	CONDUIT	7.80	0	12:05	4.34	1.42	1.00
TRMB03054-S	CHANNEL	0.29	0	12:01	0.62	0.01	0.13
TRMB03055	CONDUIT	4.32	0	11:50	4.24	2.44	1.00

Existing Conditions (10-Year)

TRMB03055-S	CHANNEL	0.56	0	12:00	0.62	0.02	0.18
TRMB03063	CONDUIT	4.60	0	12:00	3.80	0.43	0.78
TRMB03063-S	CHANNEL	5.07	0	12:00	3.64	0.04	0.26
TRMB03065	CONDUIT	86.49	0	12:00	12.24	1.13	1.00
TRMB03067	CONDUIT	0.51	0	11:48	2.35	0.03	0.56
TRMB03067-S	CHANNEL	0.02	0	11:48	0.00	0.00	0.01
TRMB03068	CONDUIT	5.51	0	12:34	4.43	0.22	1.00
TRMB03068-S	CHANNEL	6.66	0	12:00	5.08	0.02	0.23
TRMB03069	CONDUIT	84.95	0	12:00	12.48	1.02	1.00
TRMB03069-S	CHANNEL	1.23	0	12:00	2.59	0.01	0.13
TRMB03070	CONDUIT	79.89	0	11:56	12.33	0.98	1.00
TRMB03070-S	CHANNEL	1.14	0	12:00	1.57	0.02	0.16
TRMB03072	CONDUIT	70.85	0	12:00	13.69	0.65	0.79
TRMB03072-S	CHANNEL	0.00	0	00:00	0.00	0.00	0.05
TRMB03073	CONDUIT	3.33	0	12:00	3.98	0.19	0.65
TRMB03073-S	CHANNEL	1.56	0	12:00	5.03	0.01	0.12
TRMB03083	CONDUIT	64.09	0	12:01	14.41	0.94	0.85
TRMB03083-S	CHANNEL	0.00	0	00:00	0.00	0.00	0.00
TRMB03084	CONDUIT	6.84	0	12:00	3.87	1.39	1.00
TRMB03084-S	CHANNEL	0.00	0	00:00	0.00	0.00	0.06
TRMB03087	CONDUIT	64.10	0	12:01	13.06	4.66	1.00
TRMB03087-S	CHANNEL	0.00	0	00:00	0.00	0.00	0.32
TRMB03088	CONDUIT	57.95	0	12:01	9.15	0.71	0.84
TRMB03088-S	CHANNEL	0.00	0	00:00	0.00	0.00	0.32
TRMB03089	CONDUIT	58.07	0	12:00	13.55	0.55	0.60
TRMB03089-S	CHANNEL	0.00	0	00:00	0.00	0.00	0.00
TRMB03090	CONDUIT	58.09	0	12:00	10.02	0.79	0.76
TRMB03090-S	CHANNEL	0.00	0	00:00	0.00	0.00	0.50
TRMB03091	CONDUIT	45.76	0	12:00	7.84	0.57	0.77
TRMB03091-S	CHANNEL	21.66	0	12:00	4.61	0.10	0.70
TRMB03092	CONDUIT	3.67	0	12:00	4.26	0.22	0.66
TRMB03092-S	CHANNEL	2.38	0	12:00	3.76	0.01	0.59
TRMB03094	CONDUIT	40.24	0	12:00	10.11	0.55	0.55
TRMB03094-S	CHANNEL	24.70	0	12:00	4.23	0.17	0.46
TRMB03095	CONDUIT	6.20	0	12:00	7.56	0.16	0.63
TRMB03095-S	CHANNEL	7.31	0	11:52	1.73	0.50	0.51
TRMB03096	CONDUIT	23.37	0	12:00	5.63	0.83	0.59
TRMB03096-S	CHANNEL	26.41	0	12:00	4.86	0.08	0.44
TRMB03097	CONDUIT	4.54	0	12:00	5.06	0.30	0.69
TRMB03097-S	CHANNEL	10.78	0	12:00	5.82	0.04	0.39
TRMB03101	CONDUIT	0.25	0	13:00	0.66	0.00	0.51
TRMB03101-S	CHANNEL	0.00	0	11:37	0.00	0.00	0.19
TRMB03102	CONDUIT	18.01	0	12:00	5.76	0.20	0.46
TRMB03102-S	CHANNEL	31.77	0	12:00	6.03	0.14	0.43
TRMB03103	CONDUIT	11.92	0	12:00	8.07	0.10	0.26
TRMB03103-S	CHANNEL	36.13	0	12:00	5.88	0.14	0.47
TRMB03111	CONDUIT	6.11	0	12:00	7.80	0.16	0.30
TRMB03111-S	CHANNEL	30.18	0	12:00	4.90	0.17	0.47
TRMB03132	CONDUIT	3.85	0	12:00	3.59	0.26	0.67
TRMB03132-S	CHANNEL	3.08	0	12:00	5.31	0.01	0.16
TRMB04089_1	CONDUIT	8.44	0	12:29	2.71	0.18	0.55
TRMB04089_1-S	CHANNEL	112.42	0	12:30	5.61	0.88	0.97
TRMB04089_2	CONDUIT	17.59	0	12:34	3.57	0.37	0.78
TRMB04089_2-S	CHANNEL	77.63	0	12:34	6.97	0.61	0.69
TRMB05002	CONDUIT	80.93	0	12:00	28.65	0.17	0.34
TRMB05003	CONDUIT	80.99	0	12:00	11.18	0.77	0.71
TRMB05003-S	CHANNEL	0.00	0	00:00	0.00	0.00	0.00
TRMB05004	CONDUIT	0.49	0	11:59	1.14	0.06	1.00
TRMB05004-S	CHANNEL	0.00	0	11:08	0.00	0.00	0.00
TRMB05005	CONDUIT	2.16	0	11:59	2.31	0.21	1.00
TRMB05005-S	CHANNEL	0.08	0	12:00	2.92	0.00	0.03
TRMB05006	CONDUIT	78.47	0	12:01	8.16	1.24	1.00

Existing Conditions (10-Year)

TRMB05006-S	CHANNEL	0.00	0	00:00	0.00	0.00	0.00
TRMB05008	CONDUIT	2.12	0	11:59	2.18	0.23	1.00
TRMB05008-S	CHANNEL	0.00	0	11:46	0.00	0.00	0.03
TRMB05009_1	CONDUIT	68.69	0	12:00	9.71	0.76	0.78
TRMB05009_1-S	CHANNEL	0.18	0	12:35	1.80	0.00	0.06
TRMB05009_2	CONDUIT	72.90	0	12:02	8.25	0.81	0.95
TRMB05009_2-S	CHANNEL	0.01	0	11:47	0.00	0.00	0.01
TRMB05010	CONDUIT	4.23	0	12:00	3.62	0.04	0.57
TRMB05010-S	CHANNEL	0.00	0	11:33	0.00	0.00	0.05
TRMB05011	CONDUIT	1.60	0	12:00	6.00	0.04	0.14
TRMB05011-S	CHANNEL	0.00	0	00:00	0.00	0.00	0.05
TRMB05012	CONDUIT	1.60	0	12:00	2.99	0.42	0.45
TRMB05012-S	CHANNEL	0.00	0	00:00	0.00	0.00	0.02
TRMB05013	CONDUIT	1.53	0	12:00	4.28	0.02	0.55
TRMB05013-S	CHANNEL	0.43	0	11:59	3.66	0.00	0.07
TRMB05014	CONDUIT	2.85	0	12:00	4.23	0.09	0.60
TRMB05014-S	CHANNEL	0.47	0	11:57	2.39	0.00	0.11
TRMB05015	CONDUIT	61.78	0	12:01	7.70	1.11	0.78
TRMB05015-S	CHANNEL	3.88	0	12:34	3.83	0.03	0.20
TRMB05016	CONDUIT	14.35	0	11:58	11.05	0.30	0.69
TRMB05016-S	CHANNEL	2.80	0	11:56	2.98	0.02	0.18
TRMB05017	CONDUIT	40.62	0	12:33	5.13	0.79	0.89
TRMB05017-S	CHANNEL	13.54	0	11:55	4.29	0.07	0.33
TRMB05018	CONDUIT	3.59	0	12:00	4.46	0.14	0.62
TRMB05018-S	CHANNEL	2.39	0	11:55	2.75	0.02	0.18
TRMB05019	CONDUIT	11.47	0	11:59	8.85	0.74	0.69
TRMB05019-S	CHANNEL	0.14	0	11:56	2.60	0.00	0.04
TRMB05020	CONDUIT	0.34	0	11:58	1.38	0.04	0.32
TRMB05020-S	CHANNEL	0.10	0	11:55	1.77	0.00	0.05
TRMB05021	CONDUIT	11.32	0	11:59	6.41	1.26	1.00
TRMB05021-S	CHANNEL	0.00	0	00:00	0.00	0.00	0.00
TRMB05022	CONDUIT	1.29	0	12:00	2.45	0.16	0.44
TRMB05022-S	CHANNEL	0.07	0	11:56	1.44	0.00	0.04
TRMB05023	CONDUIT	0.34	0	12:08	2.44	0.08	0.41
TRMB05023-S	CHANNEL	0.00	0	12:00	0.00	0.00	0.16
TRMB05025	CONDUIT	8.66	0	11:49	10.66	0.15	0.63
TRMB05025-S	CHANNEL	25.81	0	12:34	3.97	0.09	0.69
TRMB05026	CONDUIT	3.42	0	12:00	14.56	0.12	0.25
TRMB05026-S	CHANNEL	0.00	0	00:00	0.00	0.00	0.00
TRMB05027	CONDUIT	8.66	0	11:48	10.40	0.18	0.64
TRMB05027-S	CHANNEL	32.96	0	12:34	4.83	0.09	0.69
TRMB05028	CONDUIT	10.09	0	12:30	5.71	1.40	1.00
TRMB05028-S	CHANNEL	0.00	0	11:31	0.00	0.00	0.00
TRMB05029	CONDUIT	1.36	0	11:59	1.31	0.25	1.00
TRMB05029-S	CHANNEL	0.01	0	11:36	0.00	0.00	0.01
TRMB05030	CONDUIT	3.76	0	11:50	3.12	0.34	1.00
TRMB05030-S	CHANNEL	0.00	0	11:30	0.00	0.00	0.01
TRMB05031	CONDUIT	4.34	0	12:01	4.25	0.35	1.00
TRMB05031-S	CHANNEL	0.33	0	12:00	0.56	0.00	0.14
TRMB05032	CONDUIT	3.93	0	12:30	3.67	0.37	1.00
TRMB05032-S	CHANNEL	0.00	0	11:24	0.00	0.00	0.02
TRMB05033	CONDUIT	3.15	0	11:50	3.32	7.23	1.00
TRMB05033-S	CHANNEL	0.36	0	11:59	1.53	0.04	0.09
TRMB05034	CONDUIT	2.69	0	12:30	3.66	0.50	1.00
TRMB05034-S	CHANNEL	0.15	0	12:29	1.48	0.00	0.06
TRMB05035	CONDUIT	5.96	0	12:02	5.75	0.13	1.00
TRMB05035-S	CHANNEL	0.11	0	12:00	1.40	0.00	0.05
TRMB05036	CONDUIT	2.90	0	11:55	4.46	0.46	1.00
TRMB05036-S	CHANNEL	0.00	0	11:47	0.00	0.00	0.01
TRMB05037	CONDUIT	2.12	0	12:00	4.50	0.16	0.64
TRMB05037-S	CHANNEL	0.04	0	11:59	1.36	0.00	0.03
TRMB05038	CONDUIT	3.48	0	11:55	5.91	0.45	0.92

Existing Conditions (10-Year)

TRMB05038-S	CHANNEL	0.00	0	11:48	0.00	0.00	0.02
TRMB05039	CONDUIT	1.76	0	11:58	2.93	0.35	0.80
TRMB05039-S	CHANNEL	0.01	0	12:00	0.36	0.00	0.04
TRMB05040	CONDUIT	8.62	0	12:01	4.88	1.14	1.00
TRMB05040-S	CHANNEL	0.43	0	12:00	1.34	0.00	0.11
TRMB05041	CONDUIT	11.50	0	12:00	6.50	1.50	1.00
TRMB05041-S	CHANNEL	0.06	0	12:00	0.60	0.00	0.08
TRMB05042	CONDUIT	3.42	0	12:00	4.29	0.46	0.62
TRMB05042-S	CHANNEL	0.00	0	00:00	0.00	0.00	0.08
TRMB05044	CONDUIT	0.97	0	12:33	1.27	0.17	1.00
TRMB05044-S	CHANNEL	0.04	0	12:00	1.48	0.00	0.03
TRMB05045	CONDUIT	13.11	0	12:00	7.42	1.35	1.00
TRMB05045-S	CHANNEL	0.04	0	12:00	1.97	0.00	0.03
TRMB05046	CONDUIT	13.15	0	12:00	8.49	0.74	0.82
TRMB05046-S	CHANNEL	0.00	0	00:00	0.00	0.00	0.00
TRMB05048	CONDUIT	13.14	0	12:00	8.46	0.75	0.82
CountrySideE_Ditch_Culvert_In-IC	DUMMY			5.78	0	13:00	
JMTB01003-IC	DUMMY	8.66	0	11:51			
JMTB01004-IC	DUMMY	4.05	0	11:52			
JMTB01005-IC	DUMMY	0.97	0	12:20			
JMTB01006-IC	DUMMY	8.66	0	11:51			
JMTB01102-IC	DUMMY	8.64	0	12:30			
JMTB01103-IC	DUMMY	4.31	0	12:30			
JMTB01104-IC	DUMMY	2.62	0	12:30			
JMTB01105-IC	DUMMY	8.66	0	12:14			
PCTB01068_US-IC	DUMMY	7.40	0	12:33			
PCTB01068-IC	DUMMY	6.72	0	12:33			
PCTB02001-IC	DUMMY	7.40	0	12:30			
PCTB02002-IC	DUMMY	0.00	0	00:00			
PCTB02003-IC	DUMMY	8.66	0	11:54			
PCTB02004-IC	DUMMY	7.64	0	11:54			
PCTB02011-IC	DUMMY	2.06	0	12:25			
PCTB02012-IC	DUMMY	8.66	0	12:24			
PCTB02014-IC	DUMMY	7.71	0	13:34			
PCTB02015-IC	DUMMY	4.20	0	13:32			
PCTB02016-IC	DUMMY	0.00	0	00:00			
PCTB02017-IC	DUMMY	0.00	0	00:00			
PCTB02022-IC	DUMMY	7.35	0	12:30			
PCTB02023-IC	DUMMY	7.60	0	12:30			
PCTB02189-IC	DUMMY	8.66	0	12:22			
PCTB02191_DS-IC	DUMMY	12.57	0	12:34			
PCTB02191-IC	DUMMY	6.14	0	12:28			
PCTB02207-IC	DUMMY	0.00	0	00:00			
PCTB02209-IC	DUMMY	0.00	0	00:00			
PCTB02229-IC	DUMMY	0.00	0	00:00			
PCTB02231-IC	DUMMY	0.00	0	00:00			
PCTB02235-IC	DUMMY	8.66	0	11:55			
PCTB02237-IC	DUMMY	7.57	0	11:56			
PCTB02257_1-IC	DUMMY	3.96	0	11:59			
PCTB02257-IC	DUMMY	8.66	0	12:23			
PCTB02260-IC	DUMMY	0.00	0	00:00			
PCTB02262-IC	DUMMY	0.00	0	00:00			
PCTB02275-IC	DUMMY	4.06	0	12:31			
PCTB02276-IC	DUMMY	0.00	0	00:00			
PCTB02278-IC	DUMMY	7.34	0	15:11			
PCTB02280-IC	DUMMY	8.66	0	11:59			
PCTB02281-IC	DUMMY	7.54	0	12:00			
PCTB02282-IC	DUMMY	3.77	0	12:30			
PCTB02283-IC	DUMMY	4.45	0	12:30			
PCTB02284-IC	DUMMY	0.00	0	00:00			
PCTB02292-IC	DUMMY	8.85	0	00:23			
PCTB02294-IC	DUMMY	10.36	0	00:24			

Existing Conditions (10-Year)

PCTB02295-IC	DUMMY	12.37	0	00:23
PCTB02297-IC	DUMMY	5.45	0	12:30
PCTB02302-IC	DUMMY	7.09	0	00:22
PCTB02303-IC	DUMMY	4.20	0	12:30
PCTB02304-IC	DUMMY	8.66	0	11:49
PCTB02312-IC	DUMMY	7.46	0	00:22
PCTB02329-IC	DUMMY	2.31	0	12:31
PCTB02330-IC	DUMMY	4.48	0	12:30
PCTB02331-IC	DUMMY	8.01	0	12:30
PCTB02332-IC	DUMMY	0.73	0	12:30
TRMB02002-IC	DUMMY	2.76	0	12:00
TRMB02003-IC	DUMMY	6.85	0	12:04
TRMB02006-IC	DUMMY	4.94	0	12:00
TRMB02009-IC	DUMMY	4.89	0	12:00
TRMB02012-IC	DUMMY	0.38	0	12:00
TRMB02015-IC	DUMMY	8.66	0	11:59
TRMB02016-IC	DUMMY	8.34	0	11:59
TRMB02018-IC	DUMMY	5.90	0	12:00
TRMB02022-IC	DUMMY	8.66	0	11:56
TRMB02023-IC	DUMMY	4.69	0	12:00
TRMB02030-IC	DUMMY	0.57	0	12:00
TRMB02032-IC	DUMMY	2.62	0	12:00
TRMB02033-IC	DUMMY	4.99	0	12:00
TRMB02034-IC	DUMMY	4.98	0	12:00
TRMB02035-IC	DUMMY	5.38	0	12:00
TRMB02044_DS-IC	DUMMY	6.45	0	12:00
TRMB02044-IC	DUMMY	0.00	0	00:00
TRMB02045-IC	DUMMY	0.00	0	00:00
TRMB02046-IC	DUMMY	0.50	0	12:00
TRMB02047-IC	DUMMY	3.69	0	12:00
TRMB02048-IC	DUMMY	0.39	0	12:00
TRMB02049-IC	DUMMY	3.59	0	12:00
TRMB02050-IC	DUMMY	0.00	0	00:00
TRMB02051-IC	DUMMY	3.10	0	12:00
TRMB02052-IC	DUMMY	0.55	0	12:00
TRMB02056-IC	DUMMY	3.07	0	12:00
TRMB02057-IC	DUMMY	4.79	0	12:00
TRMB02060-IC	DUMMY	4.70	0	12:00
TRMB02063-IC	DUMMY	0.06	0	12:00
TRMB02064-IC	DUMMY	1.65	0	12:00
TRMB02067-IC	DUMMY	4.05	0	12:00
TRMB02068-IC	DUMMY	3.73	0	12:00
TRMB02069-IC	DUMMY	0.11	0	11:31
TRMB02070-IC	DUMMY	1.83	0	11:59
TRMB03016-IC	DUMMY	0.00	0	00:00
TRMB03022-IC	DUMMY	4.72	0	12:00
TRMB03025-IC	DUMMY	2.68	0	11:56
TRMB03028-IC	DUMMY	0.00	0	00:00
TRMB03029-IC	DUMMY	0.00	0	00:00
TRMB03030-IC	DUMMY	0.00	0	00:00
TRMB03031-IC	DUMMY	3.80	0	12:00
TRMB03032-IC	DUMMY	1.90	0	12:00
TRMB03033-IC	DUMMY	0.66	0	12:00
TRMB03034-IC	DUMMY	3.66	0	12:00
TRMB03035-IC	DUMMY	0.03	0	12:02
TRMB03036-IC	DUMMY	0.99	0	12:00
TRMB03037-IC	DUMMY	4.93	0	12:00
TRMB03038-IC	DUMMY	0.00	0	00:00
TRMB03039-IC	DUMMY	3.26	0	12:00
TRMB03042-IC	DUMMY	4.35	0	12:00
TRMB03043-IC	DUMMY	0.29	0	12:00
TRMB03044-IC	DUMMY	6.50	0	12:00

Existing Conditions (10-Year)

TRMB03049-IC	DUMMY	0.00	0	00:00
TRMB03051-IC	DUMMY	0.84	0	12:00
TRMB03052-IC	DUMMY	0.00	0	00:00
TRMB03054-IC	DUMMY	4.33	0	12:01
TRMB03055-IC	DUMMY	5.12	0	12:00
TRMB03063-IC	DUMMY	4.60	0	12:00
TRMB03065-IC	DUMMY	1.23	0	12:00
TRMB03067-IC	DUMMY	0.98	0	11:48
TRMB03068-IC	DUMMY	4.05	0	12:00
TRMB03069-IC	DUMMY	4.24	0	12:00
TRMB03070-IC	DUMMY	2.61	0	12:00
TRMB03072-IC	DUMMY	0.00	0	00:00
TRMB03073-IC	DUMMY	3.33	0	12:00
TRMB03083-IC	DUMMY	0.00	0	00:00
TRMB03084-IC	DUMMY	3.01	0	12:00
TRMB03087-IC	DUMMY	6.94	0	12:30
TRMB03088-IC	DUMMY	0.00	0	00:00
TRMB03089-IC	DUMMY	0.00	0	00:00
TRMB03090-IC	DUMMY	8.66	0	11:57
TRMB03091-IC	DUMMY	5.53	0	12:00
TRMB03092-IC	DUMMY	3.67	0	12:00
TRMB03094-IC	DUMMY	6.19	0	12:00
TRMB03095-IC	DUMMY	6.21	0	12:00
TRMB03096-IC	DUMMY	5.29	0	12:00
TRMB03097-IC	DUMMY	4.54	0	12:00
TRMB03101-IC	DUMMY	0.49	0	12:58
TRMB03102-IC	DUMMY	6.10	0	12:00
TRMB03103-IC	DUMMY	5.81	0	12:00
TRMB03111-IC	DUMMY	6.11	0	12:00
TRMB03132-IC	DUMMY	3.85	0	12:00
TRMB04089-IC	DUMMY	8.42	0	12:30
TRMB05002-IC	DUMMY	0.00	0	00:00
TRMB05003-IC	DUMMY	0.23	0	14:23
TRMB05004-IC	DUMMY	0.60	0	11:46
TRMB05005-IC	DUMMY	2.16	0	12:00
TRMB05006-IC	DUMMY	0.10	0	11:35
TRMB05008-IC	DUMMY	2.11	0	12:00
TRMB05009_DS-IC	DUMMY	1.17	0	11:45
TRMB05009-IC	DUMMY	2.95	0	12:35
TRMB05010-IC	DUMMY	2.63	0	12:00
TRMB05011-IC	DUMMY	0.00	0	00:00
TRMB05012-IC	DUMMY	1.61	0	11:59
TRMB05013-IC	DUMMY	1.54	0	12:00
TRMB05014-IC	DUMMY	2.85	0	12:00
TRMB05015-IC	DUMMY	4.60	0	11:55
TRMB05016-IC	DUMMY	2.56	0	11:56
TRMB05017_US-IC	DUMMY	8.66	0	11:54
TRMB05017-IC	DUMMY	5.39	0	12:34
TRMB05018-IC	DUMMY	2.32	0	11:56
TRMB05019-IC	DUMMY	0.22	0	12:37
TRMB05020-IC	DUMMY	0.38	0	11:55
TRMB05021-IC	DUMMY	0.21	0	11:35
TRMB05022-IC	DUMMY	1.03	0	12:00
TRMB05023-IC	DUMMY	4.77	0	12:08
TRMB05025-IC	DUMMY	8.66	0	11:49
TRMB05026-IC	DUMMY	0.00	0	00:00
TRMB05027-IC	DUMMY	8.66	0	11:48
TRMB05028-IC	DUMMY	0.43	0	12:00
TRMB05029-IC	DUMMY	1.36	0	11:59
TRMB05030-IC	DUMMY	0.81	0	12:00
TRMB05031-IC	DUMMY	4.62	0	12:00
TRMB05032-IC	DUMMY	1.72	0	12:00

Existing Conditions (10-Year)

TRMB05033-IC	DUMMY	3.60	0	12:00
TRMB05034-IC	DUMMY	2.69	0	12:30
TRMB05035-IC	DUMMY	0.29	0	11:56
TRMB05036-IC	DUMMY	0.85	0	11:45
TRMB05037-IC	DUMMY	2.12	0	12:00
TRMB05038-IC	DUMMY	1.55	0	12:00
TRMB05039-IC	DUMMY	1.76	0	12:00
TRMB05040-IC	DUMMY	2.81	0	12:00
TRMB05041-IC	DUMMY	2.93	0	12:00
TRMB05042-IC	DUMMY	3.42	0	12:00
TRMB05043-IC	DUMMY	0.00	0	00:00
TRMB05044-IC	DUMMY	0.86	0	12:00
TRMB05045-IC	DUMMY	2.01	0	12:00
TRMB05046-IC	DUMMY	0.13	0	10:26
TRMB05048-IC	DUMMY	0.00	0	00:00

 Flow Classification Summary

Conduit	Adjusted /Actual Length	----- Fraction of Time in Flow Class -----								
		Up Dry	Down Dry	Sub Dry	Sup Crit	Up Crit	Down Crit	Norm Ltd	Inlet Ctrl	
C1	1.45	0.00	0.00	0.00	1.00	0.00	0.00	0.00	0.00	0.00
C14	1.64	0.00	0.00	0.00	0.99	0.00	0.00	0.00	0.00	0.00
C2_1	6.41	0.00	0.00	0.00	1.00	0.00	0.00	0.00	0.00	0.00
C2_1-S	3.97	0.00	0.18	0.00	0.77	0.06	0.00	0.00	0.97	0.00
C2_2	1.00	0.00	0.00	0.00	1.00	0.00	0.00	0.00	0.00	0.00
C3	1.00	0.01	0.04	0.00	0.95	0.00	0.00	0.00	0.99	0.00
C9	9.19	0.00	0.00	0.00	0.99	0.00	0.00	0.00	0.99	0.00
C9-S	9.93	0.44	0.56	0.00	0.00	0.00	0.00	0.00	0.00	0.00
CountrySideE_Ditch	1.00	0.00	0.00	0.00	1.00	0.00	0.00	0.00	0.48	0.00
CountrySideE_Ditch_Culvert	1.00	1.00	0.01	0.00	0.00	0.98	0.00	0.00	0.01	0.00
0.00										
CountrySideE_Ditch_Culvert-S	0.24	0.00	1.00	0.27	0.02	0.00	0.37	0.34	0.00	0.00
JMTB01003	6.76	0.00	0.00	0.00	1.00	0.00	0.00	0.00	0.00	0.00
JMTB01003-S	10.55	0.15	0.60	0.00	0.25	0.00	0.00	0.00	0.00	0.00
JMTB01004	1.47	0.00	0.01	0.00	0.99	0.00	0.00	0.00	0.00	0.00
JMTB01004-S	1.20	0.75	0.00	0.00	0.03	0.22	0.00	0.00	0.00	0.00
JMTB01005	1.00	0.00	0.01	0.00	0.97	0.01	0.00	0.00	0.32	0.00
JMTB01005-S	1.00	0.15	0.67	0.00	0.18	0.00	0.00	0.00	0.50	0.00
JMTB01102	3.59	0.00	0.00	0.00	1.00	0.00	0.00	0.00	0.46	0.00
JMTB01102-S	3.41	0.18	0.65	0.00	0.17	0.00	0.00	0.00	0.73	0.00
JMTB01103	1.00	0.00	0.00	0.00	1.00	0.00	0.00	0.00	0.47	0.00
JMTB01103_1	1.00	0.00	0.00	0.00	1.00	0.00	0.00	0.00	0.46	0.00
JMTB01103-S	1.00	0.21	0.62	0.00	0.17	0.00	0.00	0.00	0.94	0.00
JMTB01104	2.72	0.00	0.00	0.00	1.00	0.00	0.00	0.00	0.30	0.00
JMTB01104-S	2.20	0.34	0.04	0.00	0.28	0.34	0.00	0.00	0.06	0.00
PCTB01068	1.00	0.00	0.00	0.00	1.00	0.00	0.00	0.00	0.00	0.00
PCTB01068_US	1.00	0.00	0.00	0.00	1.00	0.00	0.00	0.00	0.00	0.00
PCTB01068_US-S	1.00	0.20	0.46	0.00	0.34	0.00	0.00	0.00	0.00	0.00
PCTB02001	1.00	0.00	0.00	0.00	1.00	0.00	0.00	0.00	0.04	0.00
PCTB02002	1.33	0.00	0.01	0.00	0.95	0.04	0.00	0.00	0.01	0.00
PCTB02002-S	1.28	0.27	0.73	0.00	0.00	0.00	0.00	0.00	0.00	0.00
PCTB02003	1.00	0.00	0.00	0.00	1.00	0.00	0.00	0.00	0.02	0.00
PCTB02003-S	1.00	0.12	0.07	0.00	0.43	0.38	0.00	0.00	0.05	0.00

Existing Conditions (10-Year)

PCTB02008	1.00	0.00	0.00	0.00	1.00	0.00	0.00	0.00	0.00	0.00
PCTB02011	3.82	0.00	0.00	0.00	0.93	0.07	0.00	0.00	0.04	0.00
PCTB02011_1	1.00	0.00	0.00	0.00	1.00	0.00	0.00	0.00	0.00	0.00
PCTB02011-S	2.41	0.28	0.58	0.00	0.14	0.00	0.00	0.00	0.00	0.00
PCTB02014	3.40	0.00	0.00	0.00	1.00	0.00	0.00	0.00	0.01	0.00
PCTB02014_1	1.00	0.00	0.00	0.00	1.00	0.00	0.00	0.00	0.05	0.00
PCTB02014-S	2.03	0.56	0.30	0.00	0.14	0.00	0.00	0.00	0.40	0.00
PCTB02016	1.79	0.00	0.00	0.00	0.96	0.04	0.00	0.00	0.23	0.00
PCTB02016-S	1.00	1.00	0.00	0.00	0.00	0.00	0.00	0.00	0.00	0.00
PCTB02020	1.00	0.00	0.00	0.00	0.95	0.00	0.00	0.05	0.26	0.00
PCTB02021	1.00	0.00	0.02	0.00	0.98	0.00	0.00	0.00	0.03	0.00
PCTB02022	1.17	0.00	0.00	0.00	1.00	0.00	0.00	0.00	0.00	0.00
PCTB02022-S	1.00	0.09	0.07	0.00	0.24	0.61	0.00	0.00	0.00	0.00
PCTB02023	1.00	0.00	0.00	0.00	1.00	0.00	0.00	0.00	0.01	0.00
PCTB02023-S	1.00	0.42	0.56	0.00	0.02	0.00	0.00	0.00	0.48	0.00
PCTB02076	1.20	0.00	0.00	0.00	1.00	0.00	0.00	0.00	0.00	0.00
PCTB02080	1.00	0.00	0.00	0.00	1.00	0.00	0.00	0.00	0.00	0.00
PCTB02160	1.00	0.00	0.00	0.00	1.00	0.00	0.00	0.00	0.00	0.00
PCTB02172	2.17	0.00	0.00	0.00	1.00	0.00	0.00	0.00	0.00	0.00
PCTB02189	1.00	0.00	0.00	0.00	1.00	0.00	0.00	0.00	0.00	0.00
PCTB02189-S	1.00	0.02	0.00	0.00	0.04	0.94	0.00	0.00	0.00	0.00
PCTB02208	1.00	0.01	0.00	0.00	0.99	0.00	0.00	0.00	0.00	0.00
PCTB02208-S	1.00	1.00	0.00	0.00	0.00	0.00	0.00	0.00	0.00	0.00
PCTB02231	1.00	0.00	0.00	0.00	1.00	0.00	0.00	0.00	0.00	0.00
PCTB02231-S	1.00	1.00	0.00	0.00	0.00	0.00	0.00	0.00	0.00	0.00
PCTB02237	1.00	0.00	0.00	0.00	1.00	0.00	0.00	0.00	0.00	0.00
PCTB02237-S	1.00	0.18	0.24	0.00	0.57	0.00	0.00	0.00	0.00	0.00
PCTB02239	1.00	0.00	1.00	0.00	0.00	0.00	0.00	0.00	0.00	0.00
PCTB02240	1.00	0.00	0.00	0.00	0.99	0.00	0.00	0.00	0.00	0.00
PCTB02259_1	1.62	0.00	0.00	0.00	1.00	0.00	0.00	0.00	0.00	0.00
PCTB02259_2	1.00	0.00	0.02	0.00	0.98	0.00	0.00	0.00	0.00	0.00
PCTB02260	1.09	0.01	0.00	0.00	0.98	0.00	0.00	0.00	0.00	0.00
PCTB02260-S	1.00	1.00	0.00	0.00	0.00	0.00	0.00	0.00	0.00	0.00
PCTB02264	1.00	0.01	0.01	0.00	0.99	0.00	0.00	0.00	0.00	0.00
PCTB02274	1.00	0.00	0.00	0.00	1.00	0.00	0.00	0.00	1.00	0.00
PCTB02275	3.23	0.00	0.02	0.00	0.98	0.00	0.00	0.00	0.00	0.00
PCTB02275-S	3.61	0.15	0.11	0.00	0.04	0.71	0.00	0.00	0.01	0.00
PCTB02276	1.00	0.01	0.00	0.00	0.99	0.00	0.00	0.00	0.00	0.00
PCTB02276-S	1.00	0.45	0.55	0.00	0.00	0.00	0.00	0.00	0.00	0.00
PCTB02278	1.00	0.00	0.00	0.00	1.00	0.00	0.00	0.00	0.00	0.00
PCTB02278-S	1.00	0.68	0.32	0.00	0.00	0.00	0.00	0.00	0.00	0.00
PCTB02279	1.00	0.00	0.00	0.00	1.00	0.00	0.00	0.00	0.72	0.00
PCTB02280	1.00	0.00	0.00	0.00	1.00	0.00	0.00	0.00	0.00	0.00
PCTB02280-S	1.00	0.01	0.00	0.00	0.99	0.00	0.00	0.00	0.98	0.00
PCTB02281	2.41	0.00	0.00	0.00	1.00	0.00	0.00	0.00	0.00	0.00
PCTB02281-S	1.89	0.02	0.00	0.00	0.98	0.00	0.00	0.00	0.00	0.00
PCTB02282	1.00	0.00	0.00	0.00	1.00	0.00	0.00	0.00	0.00	0.00
PCTB02282-S	1.00	0.01	0.04	0.00	0.95	0.00	0.00	0.00	0.99	0.00
PCTB02283	1.34	0.00	0.01	0.00	0.99	0.00	0.00	0.00	0.00	0.00
PCTB02283-S	2.70	0.05	0.00	0.00	0.19	0.76	0.00	0.00	0.02	0.00
PCTB02284	1.00	0.01	0.00	0.00	0.99	0.00	0.00	0.00	0.00	0.00
PCTB02284-S	1.00	0.60	0.40	0.00	0.00	0.00	0.00	0.00	0.00	0.00
PCTB02292	1.00	0.00	0.00	0.00	1.00	0.00	0.00	0.00	0.00	0.00
PCTB02294	3.11	0.00	0.00	0.00	1.00	0.00	0.00	0.00	0.00	0.00
PCTB02294-S	1.30	0.00	0.00	0.00	1.00	0.00	0.00	0.00	0.61	0.00
PCTB02295	1.00	0.00	0.00	0.00	1.00	0.00	0.00	0.00	0.00	0.00
PCTB02297	1.00	0.00	0.00	0.00	1.00	0.00	0.00	0.00	0.00	0.00
PCTB02297-S	1.00	0.01	0.05	0.00	0.94	0.00	0.00	0.00	0.98	0.00
PCTB02299	1.00	0.00	0.00	0.00	1.00	0.00	0.00	0.00	0.00	0.00
PCTB02300	1.00	0.00	0.00	0.00	1.00	0.00	0.00	0.00	0.00	0.00
PCTB02301	1.00	0.00	0.00	0.00	1.00	0.00	0.00	0.00	0.00	0.00
PCTB02302	1.00	0.00	0.00	0.00	1.00	0.00	0.00	0.00	0.00	0.00

Existing Conditions (10-Year)

PCTB02303	2.33	0.00	0.00	0.00	1.00	0.00	0.00	0.00	0.00	0.00
PCTB02303-S	1.93	0.01	0.04	0.00	0.95	0.00	0.00	0.00	0.99	0.00
PCTB02304	6.82	0.00	0.00	0.00	1.00	0.00	0.00	0.00	0.01	0.00
PCTB02304-S	6.10	0.04	0.01	0.00	0.88	0.07	0.00	0.00	0.99	0.00
PCTB02312	1.00	0.00	0.00	0.00	1.00	0.00	0.00	0.00	0.00	0.00
PCTB02329	1.00	0.00	0.00	0.00	1.00	0.00	0.00	0.00	0.00	0.00
PCTB02329-S	1.00	0.87	0.00	0.00	0.01	0.12	0.00	0.00	0.00	0.00
PCTB02330	1.00	0.00	0.00	0.00	1.00	0.00	0.00	0.00	0.00	0.00
PCTB02330-S	1.00	0.10	0.76	0.00	0.13	0.00	0.00	0.00	0.00	0.00
PCTB02331	1.00	0.00	0.00	0.00	1.00	0.00	0.00	0.00	0.00	0.00
PCTB02331-S	1.00	0.10	0.88	0.00	0.02	0.00	0.00	0.00	0.00	0.00
TRMB02002	1.00	0.00	0.00	0.00	0.00	1.00	0.00	0.00	0.02	0.00
TRMB02003	4.56	0.00	0.00	0.00	0.95	0.05	0.00	0.00	0.02	0.00
TRMB02003-S	3.46	0.31	0.21	0.00	0.29	0.18	0.00	0.00	0.03	0.00
TRMB02006	1.00	0.00	0.00	0.00	1.00	0.00	0.00	0.00	0.95	0.00
TRMB02006-S	1.00	0.66	0.09	0.00	0.20	0.05	0.00	0.00	0.05	0.00
TRMB02009	1.00	0.00	0.00	0.00	0.00	1.00	0.00	0.00	0.97	0.00
TRMB02009-S	1.00	0.08	0.04	0.00	0.21	0.67	0.00	0.00	0.01	0.00
TRMB02012	1.00	0.00	0.00	0.00	0.01	0.99	0.00	0.00	0.01	0.00
TRMB02012-S	1.00	0.11	0.02	0.00	0.86	0.01	0.00	0.00	0.00	0.00
TRMB02015	1.00	0.00	0.00	0.00	0.13	0.87	0.00	0.00	0.00	0.00
TRMB02015-S	1.00	0.85	0.03	0.00	0.12	0.00	0.00	0.00	0.50	0.00
TRMB02016	2.57	0.00	0.00	0.00	1.00	0.00	0.00	0.00	0.00	0.00
TRMB02016-S	1.39	0.11	0.05	0.00	0.60	0.24	0.00	0.00	0.00	0.00
TRMB02018	1.00	0.00	0.00	0.00	1.00	0.00	0.00	0.00	0.89	0.00
TRMB02018-S	1.00	0.13	0.00	0.00	0.81	0.06	0.00	0.00	0.62	0.00
TRMB02022	1.00	0.00	0.00	0.00	1.00	0.00	0.00	0.00	0.01	0.00
TRMB02022-S	1.00	0.00	0.12	0.00	0.85	0.02	0.00	0.00	0.09	0.00
TRMB02023	1.00	0.00	0.00	0.00	0.99	0.01	0.00	0.00	0.91	0.00
TRMB02023-S	1.00	0.12	0.02	0.00	0.71	0.14	0.00	0.00	0.49	0.00
TRMB02030	1.00	0.00	0.00	0.00	0.27	0.73	0.00	0.00	0.36	0.00
TRMB02030-S	1.00	0.14	0.76	0.00	0.10	0.00	0.00	0.00	0.02	0.00
TRMB02032	1.00	0.00	0.00	0.00	0.11	0.89	0.00	0.00	0.08	0.00
TRMB02032-S	1.00	0.93	0.02	0.00	0.04	0.02	0.00	0.00	0.00	0.00
TRMB02033	2.62	0.00	0.00	0.00	0.06	0.94	0.00	0.00	0.96	0.00
TRMB02033-S	1.02	0.93	0.00	0.00	0.01	0.06	0.00	0.00	0.00	0.00
TRMB02034	1.00	0.00	0.00	0.00	0.06	0.94	0.00	0.00	0.00	0.00
TRMB02034-S	1.00	0.77	0.00	0.00	0.14	0.09	0.00	0.00	0.00	0.00
TRMB02035	1.00	0.00	0.00	0.00	0.09	0.91	0.00	0.00	0.93	0.00
TRMB02035-S	1.00	0.07	0.05	0.00	0.24	0.64	0.00	0.00	0.00	0.00
TRMB02044_1	1.00	0.00	0.00	0.00	1.00	0.00	0.00	0.00	0.95	0.00
TRMB02044_1-S	1.00	0.06	0.94	0.00	0.00	0.00	0.00	0.00	0.00	0.00
TRMB02044_2	1.00	0.00	0.00	0.00	1.00	0.00	0.00	0.00	0.00	0.00
TRMB02044_2-S	1.00	0.00	0.06	0.00	0.10	0.84	0.00	0.00	0.06	0.00
TRMB02045	2.54	0.00	0.00	0.00	1.00	0.00	0.00	0.00	0.00	0.00
TRMB02045-S	2.35	1.00	0.00	0.00	0.00	0.00	0.00	0.00	0.00	0.00
TRMB02046	9.20	0.00	0.00	0.00	1.00	0.00	0.00	0.00	0.96	0.00
TRMB02046-S	2.80	0.88	0.12	0.00	0.00	0.00	0.00	0.00	0.00	0.00
TRMB02047	2.44	0.00	0.00	0.00	0.07	0.93	0.00	0.00	0.04	0.00
TRMB02047-S	1.03	0.36	0.13	0.00	0.28	0.23	0.00	0.00	0.00	0.00
TRMB02048	1.00	0.00	0.00	0.00	0.05	0.95	0.00	0.00	0.96	0.00
TRMB02048-S	1.00	0.44	0.43	0.00	0.14	0.00	0.00	0.00	0.90	0.00
TRMB02049	1.48	0.00	0.00	0.00	0.00	1.00	0.00	0.00	0.34	0.00
TRMB02049-S	1.00	0.56	0.10	0.00	0.15	0.18	0.00	0.00	0.00	0.00
TRMB02050	1.00	0.00	0.00	0.00	1.00	0.00	0.00	0.00	0.00	0.00
TRMB02050-S	1.00	1.00	0.00	0.00	0.00	0.00	0.00	0.00	0.00	0.00
TRMB02051	1.00	0.00	0.00	0.00	1.00	0.00	0.00	0.00	0.01	0.00
TRMB02051-S	1.00	0.52	0.48	0.00	0.00	0.00	0.00	0.00	0.00	0.00
TRMB02052	3.53	0.00	0.00	0.00	1.00	0.00	0.00	0.00	0.01	0.00
TRMB02052-S	1.98	0.45	0.07	0.00	0.28	0.19	0.00	0.00	0.00	0.00
TRMB02056	3.52	0.00	0.00	0.00	0.96	0.04	0.00	0.00	0.68	0.00
TRMB02056-S	3.10	0.90	0.03	0.00	0.01	0.06	0.00	0.00	0.00	0.00

Existing Conditions (10-Year)

TRMB02057	4.04	0.00	0.00	0.00	0.20	0.80	0.00	0.00	0.17	0.00
TRMB02057-S	2.66	0.79	0.00	0.00	0.14	0.07	0.00	0.00	0.00	0.00
TRMB02060	1.00	0.00	0.00	0.00	0.11	0.89	0.00	0.00	0.77	0.00
TRMB02060-S	1.00	0.07	0.06	0.00	0.47	0.40	0.00	0.00	0.01	0.00
TRMB02063	1.00	0.00	0.00	0.00	0.03	0.97	0.00	0.00	0.99	0.00
TRMB02063-S	1.00	0.13	0.87	0.00	0.00	0.00	0.00	0.00	0.50	0.00
TRMB02064	1.00	0.00	0.00	0.00	0.00	1.00	0.00	0.00	0.00	0.00
TRMB02064-S	1.00	0.91	0.00	0.00	0.06	0.02	0.00	0.00	0.00	0.00
TRMB02067	1.00	0.00	0.00	0.00	1.00	0.00	0.00	0.00	0.00	0.00
TRMB02067-S	1.00	0.22	0.05	0.00	0.58	0.15	0.00	0.00	0.00	0.00
TRMB02068	1.00	0.00	0.00	0.00	1.00	0.00	0.00	0.00	0.96	0.00
TRMB02068-S	1.00	0.28	0.00	0.00	0.41	0.31	0.00	0.00	0.32	0.00
TRMB02069	1.31	0.00	0.00	0.00	1.00	0.00	0.00	0.00	0.96	0.00
TRMB02069-S	1.35	0.28	0.69	0.00	0.03	0.00	0.00	0.00	0.82	0.00
TRMB02070	1.38	0.00	0.00	0.00	0.92	0.08	0.00	0.00	0.00	0.00
TRMB02070-S	1.20	0.66	0.07	0.00	0.17	0.09	0.00	0.00	0.00	0.00
TRMB03016	2.08	0.00	0.00	0.00	0.00	1.00	0.00	0.00	0.01	0.00
TRMB03022	1.00	0.00	0.00	0.00	0.01	0.99	0.00	0.00	0.56	0.00
TRMB03025	2.03	0.00	0.00	0.00	0.00	1.00	0.00	0.00	0.99	0.00
TRMB03025-S	2.46	0.31	0.14	0.00	0.44	0.11	0.00	0.00	0.03	0.00
TRMB03026	8.84	0.00	0.00	0.00	0.07	0.00	0.00	0.92	0.04	0.00
TRMB03027	1.67	0.00	0.00	0.00	0.00	1.00	0.00	0.00	0.00	0.00
TRMB03028	2.46	0.00	0.00	0.00	0.92	0.08	0.00	0.00	0.00	0.00
TRMB03028-S	3.66	0.45	0.55	0.00	0.00	0.00	0.00	0.00	0.00	0.00
TRMB03029	1.00	0.00	0.00	0.00	1.00	0.00	0.00	0.00	0.95	0.00
TRMB03029-S	1.00	1.00	0.00	0.00	0.00	0.00	0.00	0.00	0.00	0.00
TRMB03030	1.00	0.00	0.00	0.00	0.08	0.91	0.00	0.00	0.00	0.00
TRMB03030-S	1.00	1.00	0.00	0.00	0.00	0.00	0.00	0.00	0.00	0.00
TRMB03031	1.00	0.00	0.00	0.00	1.00	0.00	0.00	0.00	0.97	0.00
TRMB03032	1.00	0.00	0.00	0.00	0.00	1.00	0.00	0.00	0.00	0.00
TRMB03032-S	1.00	0.25	0.12	0.00	0.54	0.09	0.00	0.00	0.69	0.00
TRMB03033	10.18	0.00	0.56	0.00	0.44	0.00	0.00	0.00	0.33	0.00
TRMB03033-S	8.86	0.84	0.00	0.00	0.10	0.06	0.00	0.00	0.00	0.00
TRMB03034	1.00	0.00	0.00	0.00	0.99	0.01	0.00	0.00	0.96	0.00
TRMB03034-S	1.00	0.84	0.00	0.00	0.10	0.06	0.00	0.00	0.00	0.00
TRMB03035	50.61	0.00	0.91	0.00	0.09	0.00	0.00	0.00	0.47	0.00
TRMB03035-S	3.74	0.94	0.00	0.00	0.06	0.00	0.00	0.00	0.00	0.00
TRMB03036	1.00	0.00	0.00	0.00	1.00	0.00	0.00	0.00	0.37	0.00
TRMB03036-S	1.00	0.28	0.66	0.00	0.06	0.00	0.00	0.00	0.61	0.00
TRMB03037	1.67	0.00	0.00	0.00	0.07	0.93	0.00	0.00	0.00	0.00
TRMB03037-S	1.54	0.32	0.18	0.00	0.23	0.27	0.00	0.00	0.01	0.00
TRMB03038	3.48	0.00	0.91	0.00	0.09	0.00	0.00	0.00	0.47	0.00
TRMB03038-S	2.35	0.94	0.06	0.00	0.00	0.00	0.00	0.00	0.00	0.00
TRMB03039	1.00	0.00	0.00	0.00	0.65	0.35	0.00	0.00	0.96	0.00
TRMB03039-S	1.00	0.86	0.00	0.00	0.07	0.06	0.00	0.00	0.00	0.00
TRMB03042	1.00	0.00	0.00	0.00	0.45	0.55	0.00	0.00	1.00	0.00
TRMB03042-S	1.00	0.12	0.06	0.00	0.50	0.31	0.00	0.00	0.00	0.00
TRMB03043	1.00	0.00	0.00	0.00	1.00	0.00	0.00	0.00	0.85	0.00
TRMB03043-S	1.00	0.86	0.00	0.00	0.07	0.06	0.00	0.00	0.00	0.00
TRMB03044	1.00	0.00	0.00	0.00	0.99	0.01	0.00	0.00	0.96	0.00
TRMB03044-S	1.00	0.48	0.37	0.00	0.15	0.00	0.00	0.00	0.97	0.00
TRMB03049	4.46	0.00	0.79	0.00	0.20	0.00	0.00	0.00	0.41	0.00
TRMB03049-S	5.34	0.96	0.04	0.00	0.00	0.00	0.00	0.00	0.00	0.00
TRMB03051	6.81	0.00	0.00	0.00	0.07	0.93	0.00	0.00	0.96	0.00
TRMB03051-S	3.77	0.91	0.05	0.00	0.04	0.00	0.00	0.00	0.50	0.00
TRMB03052	2.88	0.00	0.91	0.00	0.09	0.00	0.00	0.00	0.47	0.00
TRMB03052-S	1.60	0.91	0.09	0.00	0.00	0.00	0.00	0.00	0.00	0.00
TRMB03054	1.00	0.00	0.00	0.00	1.00	0.00	0.00	0.00	0.00	0.00
TRMB03054-S	1.00	0.81	0.03	0.00	0.16	0.00	0.00	0.00	0.00	0.00
TRMB03055	1.00	0.00	0.00	0.00	1.00	0.00	0.00	0.00	0.00	0.00
TRMB03055-S	1.00	0.25	0.03	0.00	0.62	0.09	0.00	0.00	0.00	0.00
TRMB03063	1.00	0.00	0.00	0.00	1.00	0.00	0.00	0.00	0.97	0.00

Existing Conditions (10-Year)

TRMB03063-S	1.00	0.08	0.08	0.00	0.50	0.33	0.00	0.00	0.00	0.00
TRMB03065	1.00	0.00	0.00	0.00	0.05	0.95	0.00	0.00	0.01	0.00
TRMB03067	2.16	0.00	0.00	0.00	1.00	0.00	0.00	0.00	1.00	0.00
TRMB03067-S	1.88	0.40	0.10	0.00	0.45	0.04	0.00	0.00	0.03	0.00
TRMB03068	5.86	0.00	0.00	0.00	0.98	0.02	0.00	0.00	0.97	0.00
TRMB03068-S	5.47	0.19	0.12	0.00	0.33	0.36	0.00	0.00	0.01	0.00
TRMB03069	2.60	0.00	0.00	0.00	0.05	0.95	0.00	0.00	0.96	0.00
TRMB03069-S	1.01	0.73	0.08	0.00	0.12	0.07	0.00	0.00	0.01	0.00
TRMB03070	1.79	0.00	0.00	0.00	0.05	0.95	0.00	0.00	0.66	0.00
TRMB03070-S	1.00	0.70	0.11	0.00	0.12	0.07	0.00	0.00	0.44	0.00
TRMB03072	1.04	0.00	0.00	0.00	0.00	1.00	0.00	0.00	1.00	0.00
TRMB03072-S	1.00	0.81	0.19	0.00	0.00	0.00	0.00	0.00	0.00	0.00
TRMB03073	1.00	0.00	0.00	0.00	0.98	0.02	0.00	0.00	1.00	0.00
TRMB03073-S	1.00	0.25	0.25	0.00	0.21	0.29	0.00	0.00	0.00	0.00
TRMB03083	3.93	0.00	0.00	0.00	0.00	1.00	0.00	0.00	0.16	0.00
TRMB03083-S	2.11	1.00	0.00	0.00	0.00	0.00	0.00	0.00	0.00	0.00
TRMB03084	7.16	0.00	0.00	0.00	0.99	0.01	0.00	0.00	0.00	0.00
TRMB03084-S	9.74	0.82	0.18	0.00	0.00	0.00	0.00	0.00	0.00	0.00
TRMB03087	1.00	0.00	0.00	0.00	0.42	0.58	0.00	0.00	0.00	0.00
TRMB03087-S	1.00	0.14	0.86	0.00	0.00	0.00	0.00	0.00	0.00	0.00
TRMB03088	1.00	0.00	0.00	0.00	1.00	0.00	0.00	0.00	0.97	0.00
TRMB03088-S	1.00	0.14	0.86	0.00	0.00	0.00	0.00	0.00	0.00	0.00
TRMB03089	3.10	0.00	0.00	0.00	0.00	1.00	0.00	0.00	0.99	0.00
TRMB03089-S	1.00	1.00	0.00	0.00	0.00	0.00	0.00	0.00	0.00	0.00
TRMB03090	6.94	0.00	0.00	0.00	0.94	0.06	0.00	0.00	0.00	0.00
TRMB03090-S	6.70	0.77	0.23	0.00	0.00	0.00	0.00	0.00	0.00	0.00
TRMB03091	1.00	0.00	0.00	0.00	1.00	0.00	0.00	0.00	1.00	0.00
TRMB03091-S	1.00	0.16	0.14	0.00	0.53	0.17	0.00	0.00	0.04	0.00
TRMB03092	1.00	0.00	0.00	0.00	1.00	0.00	0.00	0.00	1.00	0.00
TRMB03092-S	1.00	0.28	0.16	0.00	0.37	0.19	0.00	0.00	0.04	0.00
TRMB03094	1.00	0.00	0.00	0.00	0.00	1.00	0.00	0.00	0.25	0.00
TRMB03094-S	1.00	0.13	0.43	0.00	0.36	0.08	0.00	0.00	0.87	0.00
TRMB03095	21.41	0.00	0.01	0.00	0.93	0.05	0.00	0.00	0.99	0.00
TRMB03095-S	2.35	0.35	0.00	0.00	0.65	0.00	0.00	0.00	0.00	0.00
TRMB03096	2.75	0.00	0.00	0.00	1.00	0.00	0.00	0.00	0.00	0.00
TRMB03096-S	3.82	0.46	0.33	0.00	0.13	0.08	0.00	0.00	0.27	0.00
TRMB03097	1.00	0.00	0.00	0.00	0.15	0.85	0.00	0.00	1.00	0.00
TRMB03097-S	1.00	0.18	0.06	0.00	0.31	0.45	0.00	0.00	0.05	0.00
TRMB03101	21.32	0.00	0.00	0.00	1.00	0.00	0.00	0.00	1.00	0.00
TRMB03101-S	10.03	0.45	0.10	0.00	0.46	0.00	0.00	0.00	0.05	0.00
TRMB03102	2.34	0.00	0.00	0.00	0.09	0.91	0.00	0.00	1.00	0.00
TRMB03102-S	1.51	0.28	0.12	0.00	0.39	0.21	0.00	0.00	0.00	0.00
TRMB03103	1.35	0.00	0.00	0.00	0.00	1.00	0.00	0.00	1.00	0.00
TRMB03103-S	1.00	0.10	0.08	0.00	0.44	0.38	0.00	0.00	0.34	0.00
TRMB03111	1.39	0.00	0.00	0.00	0.00	1.00	0.00	0.00	0.91	0.00
TRMB03111-S	1.00	0.08	0.01	0.00	0.13	0.78	0.00	0.00	0.12	0.00
TRMB03132	1.00	0.00	0.00	0.00	0.99	0.01	0.00	0.00	1.00	0.00
TRMB03132-S	1.00	0.19	0.16	0.00	0.30	0.35	0.00	0.00	0.00	0.00
TRMB04089_1	1.00	0.00	0.00	0.00	1.00	0.00	0.00	0.00	0.93	0.00
TRMB04089_1-S	1.00	0.02	0.00	0.00	0.01	0.96	0.00	0.00	0.11	0.00
TRMB04089_2	1.00	0.00	0.00	0.00	1.00	0.00	0.00	0.00	0.74	0.00
TRMB04089_2-S	1.00	0.10	0.00	0.00	0.15	0.75	0.00	0.00	0.00	0.00
TRMB05002	6.28	0.00	0.00	0.00	0.00	1.00	0.00	0.00	0.01	0.00
TRMB05003	1.28	0.00	0.00	0.00	0.00	1.00	0.00	0.00	0.00	0.00
TRMB05003-S	1.00	0.92	0.00	0.00	0.08	0.00	0.00	0.00	0.00	0.00
TRMB05004	11.73	0.00	0.00	0.00	1.00	0.00	0.00	0.00	0.01	0.00
TRMB05004-S	25.46	0.47	0.43	0.00	0.10	0.00	0.00	0.00	0.54	0.00
TRMB05005	3.12	0.00	0.00	0.00	0.99	0.00	0.00	0.00	0.30	0.00
TRMB05005-S	3.52	0.49	0.10	0.00	0.22	0.20	0.00	0.00	0.00	0.00
TRMB05006	1.00	0.00	0.00	0.00	1.00	0.00	0.00	0.00	0.88	0.00
TRMB05006-S	1.00	0.86	0.07	0.00	0.06	0.00	0.00	0.00	0.00	0.00
TRMB05008	1.00	0.00	0.00	0.00	1.00	0.00	0.00	0.00	0.96	0.00

Existing Conditions (10-Year)

TRMB05008-S	1.00	0.57	0.43	0.00	0.00	0.00	0.00	0.00	0.95	0.00
TRMB05009_1	1.00	0.00	0.00	0.00	0.01	0.99	0.00	0.00	0.45	0.00
TRMB05009_1-S	1.00	0.43	0.44	0.00	0.03	0.10	0.00	0.00	0.45	0.00
TRMB05009_2	1.00	0.00	0.00	0.00	0.09	0.91	0.00	0.00	0.97	0.00
TRMB05009_2-S	1.00	0.38	0.06	0.00	0.41	0.16	0.00	0.00	0.00	0.00
TRMB05010	7.50	0.00	0.00	0.00	0.99	0.01	0.00	0.00	1.00	0.00
TRMB05010-S	1.49	0.58	0.37	0.00	0.05	0.00	0.00	0.00	0.70	0.00
TRMB05011	4.39	0.00	0.00	0.00	0.00	1.00	0.00	0.00	0.38	0.00
TRMB05011-S	2.93	0.63	0.37	0.00	0.00	0.00	0.00	0.00	0.00	0.00
TRMB05012	1.64	0.00	0.00	0.00	1.00	0.00	0.00	0.00	0.00	0.00
TRMB05012-S	1.28	0.81	0.19	0.00	0.00	0.00	0.00	0.00	0.00	0.00
TRMB05013	62.80	0.00	0.00	0.00	0.99	0.01	0.00	0.00	1.00	0.00
TRMB05013-S	22.44	0.63	0.24	0.00	0.04	0.10	0.00	0.00	0.48	0.00
TRMB05014	9.71	0.00	0.00	0.00	0.99	0.01	0.00	0.00	1.00	0.00
TRMB05014-S	3.83	0.61	0.26	0.00	0.04	0.09	0.00	0.00	0.48	0.00
TRMB05015	1.00	0.00	0.00	0.00	0.27	0.73	0.00	0.00	0.00	0.00
TRMB05015-S	1.00	0.45	0.00	0.00	0.31	0.24	0.00	0.00	0.00	0.00
TRMB05016	7.68	0.00	0.00	0.00	0.74	0.26	0.00	0.00	1.00	0.00
TRMB05016-S	2.36	0.45	0.00	0.00	0.31	0.24	0.00	0.00	0.00	0.00
TRMB05017	1.56	0.00	0.00	0.00	1.00	0.00	0.00	0.00	0.06	0.00
TRMB05017-S	1.25	0.24	0.18	0.00	0.20	0.38	0.00	0.00	0.26	0.00
TRMB05018	7.13	0.00	0.02	0.00	0.98	0.00	0.00	0.00	0.98	0.00
TRMB05018-S	2.41	0.45	0.00	0.00	0.31	0.24	0.00	0.00	0.00	0.00
TRMB05019	8.18	0.00	0.00	0.00	0.00	1.00	0.00	0.00	0.00	0.00
TRMB05019-S	7.74	0.85	0.00	0.00	0.06	0.09	0.00	0.00	0.00	0.00
TRMB05020	3.71	0.00	0.00	0.00	1.00	0.00	0.00	0.00	0.97	0.00
TRMB05020-S	2.62	0.43	0.42	0.00	0.06	0.09	0.00	0.00	0.04	0.00
TRMB05021	1.00	0.00	0.00	0.00	0.95	0.05	0.00	0.00	0.96	0.00
TRMB05021-S	1.00	0.92	0.07	0.00	0.02	0.00	0.00	0.00	0.00	0.00
TRMB05022	5.95	0.00	0.02	0.00	0.98	0.00	0.00	0.00	0.00	0.00
TRMB05022-S	4.30	0.38	0.47	0.00	0.06	0.09	0.00	0.00	0.44	0.00
TRMB05023	1.00	0.00	0.00	0.00	1.00	0.00	0.00	0.00	1.00	0.00
TRMB05023-S	1.00	0.00	0.49	0.00	0.51	0.00	0.00	0.00	1.00	0.00
TRMB05025	25.30	0.00	0.00	0.00	0.85	0.15	0.00	0.00	1.00	0.00
TRMB05025-S	8.01	0.26	0.16	0.00	0.32	0.25	0.00	0.00	0.31	0.00
TRMB05026	7.07	0.00	0.00	0.00	0.00	1.00	0.00	0.00	0.99	0.00
TRMB05026-S	2.28	1.00	0.00	0.00	0.00	0.00	0.00	0.00	0.00	0.00
TRMB05027	17.75	0.00	0.00	0.00	0.83	0.17	0.00	0.00	1.00	0.00
TRMB05027-S	8.13	0.26	0.16	0.00	0.34	0.24	0.00	0.00	0.34	0.00
TRMB05028	1.00	0.00	0.00	0.00	0.47	0.53	0.00	0.00	0.00	0.00
TRMB05028-S	1.00	0.49	0.01	0.00	0.51	0.00	0.00	0.00	0.42	0.00
TRMB05029	2.49	0.00	0.00	0.00	1.00	0.00	0.00	0.00	0.04	0.00
TRMB05029-S	2.09	0.74	0.05	0.00	0.13	0.08	0.00	0.00	0.00	0.00
TRMB05030	4.51	0.00	0.00	0.00	1.00	0.00	0.00	0.00	0.96	0.00
TRMB05030-S	3.36	0.37	0.18	0.00	0.44	0.00	0.00	0.00	0.56	0.00
TRMB05031	2.21	0.00	0.00	0.00	1.00	0.00	0.00	0.00	0.97	0.00
TRMB05031-S	1.00	0.64	0.22	0.00	0.14	0.00	0.00	0.00	0.86	0.00
TRMB05032	1.92	0.00	0.00	0.00	1.00	0.00	0.00	0.00	0.97	0.00
TRMB05032-S	1.00	0.41	0.22	0.00	0.37	0.00	0.00	0.00	0.91	0.00
TRMB05033	1.53	0.00	0.00	0.00	1.00	0.00	0.00	0.00	0.00	0.00
TRMB05033-S	1.00	0.35	0.00	0.00	0.50	0.16	0.00	0.00	0.06	0.00
TRMB05034	2.47	0.00	0.24	0.00	0.53	0.23	0.00	0.00	0.05	0.00
TRMB05034-S	2.06	0.54	0.17	0.00	0.08	0.22	0.00	0.00	0.09	0.00
TRMB05035	10.07	0.00	0.00	0.00	0.05	0.95	0.00	0.00	0.99	0.00
TRMB05035-S	2.09	0.18	0.13	0.00	0.54	0.16	0.00	0.00	0.00	0.00
TRMB05036	1.34	0.00	0.00	0.00	0.01	0.99	0.00	0.00	0.00	0.00
TRMB05036-S	1.10	0.34	0.23	0.00	0.42	0.00	0.00	0.00	0.56	0.00
TRMB05037	3.97	0.00	0.00	0.00	0.65	0.35	0.00	0.00	1.00	0.00
TRMB05037-S	2.32	0.61	0.09	0.00	0.19	0.11	0.00	0.00	0.04	0.00
TRMB05038	1.54	0.00	0.00	0.00	0.01	0.99	0.00	0.00	0.00	0.00
TRMB05038-S	1.00	0.62	0.24	0.00	0.14	0.00	0.00	0.00	0.96	0.00
TRMB05039	2.08	0.00	0.00	0.00	1.00	0.00	0.00	0.00	0.21	0.00

Existing Conditions (10-Year)

TRMB05039-S	1.81	0.65	0.03	0.00	0.25	0.07	0.00	0.00	0.66	0.00
TRMB05040	1.00	0.00	0.00	0.00	1.00	0.00	0.00	0.00	0.97	0.00
TRMB05040-S	1.00	0.17	0.13	0.00	0.44	0.25	0.00	0.00	0.13	0.00
TRMB05041	1.81	0.00	0.00	0.00	0.45	0.55	0.00	0.00	0.10	0.00
TRMB05041-S	1.47	0.25	0.12	0.00	0.48	0.15	0.00	0.00	0.20	0.00
TRMB05042	2.30	0.00	0.00	0.00	1.00	0.00	0.00	0.00	0.00	0.00
TRMB05042-S	2.05	0.64	0.36	0.00	0.00	0.00	0.00	0.00	0.00	0.00
TRMB05044	1.00	0.00	0.00	0.00	1.00	0.00	0.00	0.00	0.96	0.00
TRMB05044-S	1.00	0.25	0.12	0.00	0.50	0.13	0.00	0.00	0.35	0.00
TRMB05045	1.00	0.00	0.00	0.00	0.06	0.94	0.00	0.00	0.02	0.00
TRMB05045-S	1.00	0.34	0.03	0.00	0.50	0.13	0.00	0.00	0.00	0.00
TRMB05046	7.12	0.00	0.00	0.00	0.00	1.00	0.00	0.00	0.01	0.00
TRMB05046-S	7.70	0.94	0.06	0.00	0.00	0.00	0.00	0.00	0.00	0.00
TRMB05048	2.44	0.00	0.00	0.00	0.93	0.06	0.00	0.00	0.98	0.00

 Conduit Surcharge Summary

Conduit	Hours Full			Hours	
	Both Ends	Upstream	Dnstream	Above Full Normal Flow	Hours Capacity Limited
C14	5.45	5.45	5.45	1.64	0.01
C2_1	23.70	23.70	23.70	0.01	0.01
CountrySideE_Ditch	5.74	5.74	5.74	0.01	0.01
JMTB01003	12.35	12.35	12.35	0.01	0.01
JMTB01004	12.41	12.41	12.41	0.57	0.01
JMTB01005	12.02	12.02	12.02	6.10	12.02
JMTB01102	1.41	1.41	1.41	0.01	0.01
JMTB01103	1.95	1.95	1.95	1.64	1.66
JMTB01104	5.26	5.26	5.27	0.01	0.01
PCTB02008	0.01	0.01	0.01	5.52	0.01
PCTB02021	6.62	6.62	6.62	0.01	0.01
PCTB02022	13.43	13.43	13.43	4.96	0.01
PCTB02023	12.01	12.01	12.04	0.01	0.01
PCTB02080	23.46	23.46	23.46	23.75	0.01
PCTB02189	23.69	23.69	23.69	0.01	0.01
PCTB02231	23.63	23.63	23.63	10.20	0.01
PCTB02237	4.29	4.29	4.29	0.16	0.01
PCTB02276	0.01	0.01	0.01	5.35	0.01
PCTB02278	9.27	9.27	9.28	0.01	2.77
PCTB02280	23.57	23.57	23.57	1.55	0.01
PCTB02281	23.56	23.56	23.56	0.01	0.01
PCTB02282	23.54	23.54	23.54	0.01	0.01
PCTB02283	23.53	23.53	23.53	14.90	0.01
PCTB02284	23.53	23.53	23.53	0.01	0.01
PCTB02294	23.49	23.49	23.49	0.12	0.01
PCTB02297	23.50	23.50	23.50	0.01	0.01
PCTB02303	23.45	23.45	23.45	0.01	0.01
PCTB02304	23.45	23.45	23.46	0.01	0.01
PCTB02329	8.84	8.84	8.84	13.22	8.84
PCTB02330	10.20	10.20	10.21	10.41	0.01
PCTB02331	12.26	12.26	12.26	11.91	2.87
TRMB02006	0.95	0.95	0.95	0.61	0.64
TRMB02015	0.01	0.01	0.01	0.76	0.01
TRMB02016	0.83	0.83	0.83	1.23	0.83
TRMB02018	1.87	1.87	1.87	2.44	1.87
TRMB02022	2.22	2.22	2.22	2.55	2.22
TRMB02023	1.65	1.65	1.65	0.01	0.01

Existing Conditions (10-Year)

TRMB02030	1.59	1.59	1.59	0.01	0.01
TRMB02032	0.79	0.79	0.79	0.70	0.70
TRMB02033	0.72	0.72	0.72	0.01	0.01
TRMB02034	0.77	0.77	0.77	0.79	0.75
TRMB02035	0.90	0.90	0.90	0.01	0.01
TRMB02044_1	0.88	0.88	0.88	0.01	0.01
TRMB02044_2	2.29	2.29	2.29	5.66	2.29
TRMB02045	0.88	0.88	0.88	0.01	0.01
TRMB02046	0.69	0.69	0.69	0.01	0.01
TRMB02050	0.92	0.92	0.92	0.29	0.27
TRMB02051	0.93	0.93	0.93	0.29	0.23
TRMB02052	0.92	0.92	0.92	0.01	0.01
TRMB02056	0.90	0.90	0.90	0.19	0.60
TRMB02057	0.88	0.88	0.89	0.12	0.46
TRMB02060	0.66	0.66	0.66	0.01	0.01
TRMB02064	0.01	0.01	0.01	0.23	0.01
TRMB02067	0.71	0.71	0.71	1.04	0.71
TRMB02068	0.77	0.77	0.77	0.70	0.69
TRMB02069	0.73	0.73	0.73	0.01	0.01
TRMB02070	0.72	0.72	0.72	0.01	0.01
TRMB03022	1.03	1.03	1.03	0.96	0.98
TRMB03028	0.01	0.01	0.01	3.11	0.01
TRMB03029	0.97	0.97	0.97	0.14	0.47
TRMB03030	0.97	0.97	0.97	0.78	0.97
TRMB03032	0.01	0.01	0.01	0.76	0.01
TRMB03033	0.76	0.76	0.76	0.01	0.01
TRMB03034	0.78	0.78	0.78	0.01	0.01
TRMB03035	0.31	0.31	0.31	0.01	0.01
TRMB03036	0.87	0.87	0.87	0.93	0.87
TRMB03037	0.78	0.78	0.78	0.03	0.69
TRMB03038	0.01	0.01	0.01	0.01	0.01
TRMB03039	0.83	0.83	0.83	0.01	0.01
TRMB03043	0.80	0.80	0.80	0.01	0.01
TRMB03044	0.73	0.73	0.73	0.01	0.01
TRMB03049	0.81	0.81	0.81	0.01	0.01
TRMB03051	0.72	0.72	0.72	0.01	0.01
TRMB03052	0.68	0.68	0.68	0.01	0.01
TRMB03054	0.71	0.71	0.71	0.72	0.68
TRMB03055	0.76	0.76	0.76	0.20	0.08
TRMB03065	0.58	0.58	0.58	0.63	0.58
TRMB03068	0.61	0.61	0.61	0.01	0.01
TRMB03069	0.61	0.61	0.61	0.06	0.59
TRMB03070	0.57	0.57	0.57	0.01	0.07
TRMB03084	0.71	0.71	0.71	0.68	0.66
TRMB03087	0.82	0.82	0.82	1.68	0.82
TRMB05004	5.58	5.58	5.64	0.01	0.24
TRMB05005	2.79	2.79	2.85	0.01	0.01
TRMB05006	0.25	0.25	0.25	0.82	0.25
TRMB05008	0.59	0.59	0.59	0.01	0.01
TRMB05015	0.01	0.01	0.01	0.77	0.01
TRMB05021	0.75	0.75	0.75	0.73	0.74
TRMB05028	0.75	0.75	0.75	0.80	0.74
TRMB05029	0.76	0.76	0.76	0.01	0.01
TRMB05030	0.74	0.74	0.74	0.01	0.01
TRMB05031	0.68	0.68	0.68	0.01	0.01
TRMB05032	0.70	0.70	0.71	0.01	0.01
TRMB05033	0.74	0.74	0.74	3.17	0.72
TRMB05034	0.70	0.70	0.70	0.01	0.01
TRMB05035	0.03	0.03	0.03	0.01	0.01
TRMB05036	0.02	0.02	0.02	0.01	0.01
TRMB05040	0.64	0.64	0.64	0.24	0.24
TRMB05041	0.69	0.69	0.69	0.73	0.69

Existing Conditions (10-Year)

TRMB05044	0.63	0.63	0.63	0.01	0.01
TRMB05045	0.23	0.23	0.23	0.73	0.23

Analysis begun on: Fri Nov 20 09:44:55 2015
Analysis ended on: Fri Nov 20 09:45:12 2015
Total elapsed time: 00:00:17

SECONDARY SYSTEM

FUTURE

CONDITIONS:

SWMM INPUT

Project: PC/JMR Watershed Master Plan
 Location: Countryside/Oak Grove System (Future)
 Prepared by: YB
 Checked by:
 Date: December 2015

SWMM Sub-Basin ID	Area (acres)	Area (sq. ft)	Width (ft.)	Flow Length (ft)	Curve Number	Basin Slope (%)
PC_1323	17	759464	153.331	4953.103	85.245089	0.5
PC_1324	21	904197	182.55	4953.145	90.537919	0.5
PC_1325	31	1346997	271.949	4953.124	87.243401	0.5
PC_1326	66	2876045	1100	2614.586	88.229762	0.5
PC_1327	14	596358	120.399	4953.182	78.527625	0.5
SubCatch_FLEMING_SCHOOL_RD	27	1185951	239.435	4953.125	65.391816	0.5
SubCatch_FLEMING_SCHOOL_RD_1	29	1271935	256.794	4953.132	74.803833	0.5
SubCatch_FLEMING_SCHOOL_RD_2	4	159761	32.254	4953.204	83	0.5
SubCatch_STATON_HOUSE_RD	31.5803	1375638	277.732	4953.113	78.527625	0.5

Project: PC/JMR Watershed Master Plan
 Location: Haw Drive/ Airport System (Future)
 Prepared by: YB
 Checked by:
 Date: December 2015

SWMM Sub-Basin ID	Area (acres)	Area (sq. ft)	Width (ft.)	Flow Length (ft)	Curve Number	Basin Slope (%)
SubCatch_E_CATAWBA_RD	18	793262	160.154	4953.123	81.649143	0.5
SubCatch_HAW_1	2.9	125710	25.38	4953.105	86	0.5
SubCatch_HAW_2	18	765349	550	1391.544	81.649143	0.5
SubCatch_HOP_TYSON_RD	17	757861	153.007	4953.115	81.649143	0.5
SubCatch_TRENT_CI	10	441407	89.117	4953.113	75.421707	0.5

Project: PC/JMR Watershed Master Plan
 Location: Greenfield Terrace System (Future)
 Prepared by: YB
 Checked by:
 Date: December 2015

SWMM Sub-Basin ID	Area (acres)	Area (sq. ft)	Width (ft.)	Flow Length (ft)	Curve Number	Basin Slope (%)
SubCatch_BELVOIR_HW	36	1586098	320.222	4953.12	90.297187	0.5
SubCatch_GREENFIELD_BV	29	1283779	259.186	4953.117	78.351103	0.5
SubCatch_GREENFIELD_BV_1	8	360520	72.787	4953.082	86	0.5
SubCatch_GREENFIELD_BV_2	9	373675	75.442	4953.144	83.06413	0.5
SubCatch_N_MEMORIAL_DR	18	771029	155.665	4953.133	83.06413	0.5
SubCatch_TRENT_CI_1	28	1229019	248.129	4953.146	79.5	0.5
SubCatch_WOODSIDE_RD	22	950470	191.892	4953.153	83.06413	0.5
SubCatch_WOODSIDE_RD_1	11.3439	494140	99.764	4953.092	84.5	0.5

SECONDARY SYSTEM

FUTURE

CONDITIONS:

SWMM OUTPUT

Future Conditions (10-Year)

EPA STORM WATER MANAGEMENT MODEL - VERSION 5.1 (Build 5.1.007)

 NOTE: The summary statistics displayed in this report are based on results found at every computational time step, not just on results from each reporting time step.

Analysis Options

Flow Units CFS
 Process Models:
 Rainfall/Runoff YES
 RDII NO
 Snowmelt NO
 Groundwater NO
 Flow Routing YES
 Ponding Allowed NO
 Water Quality NO
 Infiltration Method CURVE_NUMBER
 Flow Routing Method DYNWAVE
 Starting Date APR-17-2015 00:00:00
 Ending Date APR-17-2015 23:45:00
 Antecedent Dry Days 0.0
 Report Time Step 00:05:00
 Wet Time Step 00:01:00
 Dry Time Step 01:00:00
 Routing Time Step 5.00 sec
 Variable Time Step YES
 Maximum Trials 8
 Head Tolerance 0.005000 ft

Element Count

Number of rain gages 1
 Number of subcatchments ... 115
 Number of nodes 390
 Number of links 541
 Number of pollutants 0
 Number of land uses 0

Raingage Summary

Name	Data Source	Data Type	Recording Interval
SCS_Rain	SCSStorms	VOLUME	15 min.

Subcatchment Summary

Name	Area	Width	%Imperv	%Slope	Rain Gage
Outlet					

Future Conditions (10-Year)

PC 1321	42.52	373.98	0.00	0.5000	SCS_Rain
PCTB02235-S					
PC 1323	17.43	153.33	0.00	0.5000	SCS_Rain
PCTB02257_1-S					
PC 1324	20.76	182.55	0.00	0.5000	SCS_Rain
CountrySideE_Ditch_Culvert_In-S					
PC 1325	30.92	271.95	0.00	0.5000	SCS_Rain
CountrySideE_Ditch_Culvert_In-S					
PC 1326	66.02	1100.00	0.00	0.5000	SCS_Rain
JMTB01006-S					
PC 1327	13.69	120.40	0.00	0.5000	SCS_Rain
JMTB01006-S					
PC 1350	58.26	512.33	0.00	0.5000	SCS_Rain
PCTB02004-S					
PC 1360	38.27	336.59	0.00	0.5000	SCS_Rain
PCTB02005					
PC 571	162.61	2150.00	0.00	0.5000	SCS_Rain
PCTB02009					
SubCatch_ASH_ST	1.28	221.00	0.00	2.0000	SCS_Rain
TRMB02051-S					
SubCatch_AVERY_ST	0.44	37.00	0.00	2.0000	SCS_Rain
TRMB03068-S					
SubCatch_BELVOIR_HW	36.41	320.22	0.00	0.5000	SCS_Rain
PCTB02189-S					
SubCatch_BELVOIR_HW_1	26.16	230.08	0.00	0.5000	SCS_Rain
PCTB02012-S					
SubCatch_CHESTNUT_ST	19.25	2310.00	0.00	2.0000	SCS_Rain
TRMB04089-S					
SubCatch_COLONIAL_AV	0.39	47.00	0.00	2.0000	SCS_Rain
TRMB05009_DS-S					
SubCatch_COLONIAL_AV_1	0.35	35.00	0.00	2.0000	SCS_Rain
TRMB05044-S					
SubCatch_CONTENTNEA_ST	0.03	4.00	0.00	2.0000	SCS_Rain
TRMB05028-S					
SubCatch_CONTENTNEA_ST_1	1.89	227.00	0.00	2.0000	SCS_Rain
TRMB05033-S					
SubCatch_CONTENTNEA_ST_2	1.99	289.00	0.00	2.0000	SCS_Rain
TRMB05034-S					
SubCatch_CONTENTNEA_ST_3	0.78	94.00	0.00	2.0000	SCS_Rain
TRMB05012-S					
SubCatch_CONTENTNEA_ST_4	1.54	185.00	0.00	2.0000	SCS_Rain
TRMB05042-S					
SubCatch_CONTENTNEA_ST_5	1.51	181.00	0.00	2.0000	SCS_Rain
TRMB05010-S					
SubCatch_CONTENTNEA_ST_6	0.27	32.00	0.00	2.0000	SCS_Rain
TRMB05030-S					
SubCatch_DAVIS_ST	0.63	63.00	0.00	2.0000	SCS_Rain
TRMB05038-S					
SubCatch_DAVIS_ST_1	0.85	85.00	0.00	2.0000	SCS_Rain
TRMB05039-S					
SubCatch_DAVIS_ST_2	2.15	214.00	0.00	2.0000	SCS_Rain
TRMB05047					
SubCatch_DAVIS_ST_3	1.24	124.00	0.00	2.0000	SCS_Rain
TRMB05041-S					
SubCatch_DAVIS_ST_4	1.64	164.00	0.00	2.0000	SCS_Rain
TRMB05040-S					
SubCatch_E_1ST_ST	5.28	440.00	0.00	2.0000	SCS_Rain
TRMB03087-S					
SubCatch_E_1ST_ST_1	0.55	95.00	0.00	2.0000	SCS_Rain
TRMB02022-S					

Future Conditions (10-Year)

SubCatch_E_1ST_ST_2 TRMB03073-S	2.53	211.00	0.00	2.0000	SCS_Rain
SubCatch_E_2ND_ST TRMB03097-S	4.61	384.00	0.00	2.0000	SCS_Rain
SubCatch_E_2ND_ST_1 TRMB03094-S	0.03	3.00	0.00	2.0000	SCS_Rain
SubCatch_E_2ND_ST_2 TRMB03095-S	0.01	1.00	0.00	2.0000	SCS_Rain
SubCatch_E_2ND_ST_3 TRMB03101-S	0.09	8.00	0.00	2.0000	SCS_Rain
SubCatch_E_2ND_ST_4 TRMB03102-S	0.73	61.00	0.00	2.0000	SCS_Rain
SubCatch_E_3RD_ST TRMB02035-S	1.30	225.00	0.00	2.0000	SCS_Rain
SubCatch_E_3RD_ST_1 TRMB03111-S	6.69	558.00	0.00	2.0000	SCS_Rain
SubCatch_E_3RD_ST_2 TRMB02049-S	1.92	332.00	0.00	2.0000	SCS_Rain
SubCatch_E_3RD_ST_3 TRMB02047-S	1.77	306.00	0.00	2.0000	SCS_Rain
SubCatch_E_4TH_ST TRMB02070-S	0.94	162.00	0.00	2.0000	SCS_Rain
SubCatch_E_4TH_ST_1 TRMB02060-S	3.06	529.00	0.00	2.0000	SCS_Rain
SubCatch_E_4TH_ST_2 TRMB02060-S	0.85	147.00	0.00	2.0000	SCS_Rain
SubCatch_E_CATAWBA_RD PCTB02331-S	18.21	160.15	0.00	0.5000	SCS_Rain
SubCatch_FAIRFAX_AV TRMB05008-S	1.08	130.00	0.00	2.0000	SCS_Rain
SubCatch_FLEMING_SCHOOL_RD JMTB01102-S	27.23	239.44	0.00	0.5000	SCS_Rain
SubCatch_FLEMING_SCHOOL_RD_1 JMTB01105-S	29.20	256.79	0.00	0.5000	SCS_Rain
SubCatch_FLEMING_SCHOOL_RD_2 JMTB01104-S	3.67	32.25	0.00	0.5000	SCS_Rain
SubCatch_GREENFIELD_BV PCTB02303-S	29.47	259.19	0.00	0.5000	SCS_Rain
SubCatch_GREENFIELD_BV_1 PCTB02282-S	8.28	72.79	0.00	0.5000	SCS_Rain
SubCatch_GREENFIELD_BV_2 PCTB02292-S	8.58	75.44	0.00	0.5000	SCS_Rain
SubCatch_HAW_1 PCTB02001-S	2.89	25.38	0.00	0.5000	SCS_Rain
SubCatch_HAW_2 PCTB01068_US-S	17.57	550.00	0.00	0.5000	SCS_Rain
SubCatch_HOP_TYSON_RD PCTB02022-S	17.40	153.01	0.00	0.5000	SCS_Rain
SubCatch_JOHNSON_HEIGHTS TRMB02016-S	2.75	475.00	0.00	2.0000	SCS_Rain
SubCatch_LATHAM_ST TRMB05031-S	2.61	313.00	0.00	2.0000	SCS_Rain
SubCatch_N_ELM_ST TRMB02023-S	2.91	503.00	0.00	2.0000	SCS_Rain
SubCatch_N_ELM_ST_1 TRMB02002-S	2.36	408.00	0.00	2.0000	SCS_Rain
SubCatch_N_ELM_ST_2 TRMB02009-S	7.64	1321.00	0.00	2.0000	SCS_Rain
SubCatch_N_HARDING_ST TRMB03031-S	2.29	427.00	0.00	2.0000	SCS_Rain
SubCatch_N_HARDING_ST_1 TRMB03025-S	1.53	285.00	0.00	2.0000	SCS_Rain

Future Conditions (10-Year)

SubCatch_N_HARDING_ST_2 TRMB03044-S	2.98	555.00	0.00	2.0000	SCS_Rain
SubCatch_N_JARVIS_ST TRMB03132-S	3.10	258.00	0.00	2.0000	SCS_Rain
SubCatch_N_LIBRARY_ST TRMB03055-S	2.70	503.00	0.00	2.0000	SCS_Rain
SubCatch_N_MEMORIAL_DR PCTB02294-S	17.70	155.66	0.00	0.5000	SCS_Rain
SubCatch_N_OAK_ST TRMB02044_DS-S	6.05	1046.00	0.00	2.0000	SCS_Rain
SubCatch_N_OAK_ST_1 TRMB02022-S	0.69	119.00	0.00	2.0000	SCS_Rain
SubCatch_N_OAK_ST_2 TRMB02018-S	3.01	520.00	0.00	2.0000	SCS_Rain
SubCatch_N_SUMMIT_ST TRMB03067-S	0.25	21.00	0.00	2.0000	SCS_Rain
SubCatch_N_SUMMIT_ST_1 TRMB03068-S	4.73	394.00	0.00	2.0000	SCS_Rain
SubCatch_PARK_DR TRMB03032-S	1.43	266.00	0.00	2.0000	SCS_Rain
SubCatch_RIVER_DR TRMB03016	4.38	816.00	0.00	2.0000	SCS_Rain
SubCatch_S_ELM_ST TRMB02035-S	6.41	1108.00	0.00	2.0000	SCS_Rain
SubCatch_S_ELM_ST_1 TRMB02068-S	2.60	449.00	0.00	2.0000	SCS_Rain
SubCatch_S_HARDING_ST TRMB03042-S	4.55	848.00	0.00	2.0000	SCS_Rain
SubCatch_S_LIBRARY_ST TRMB03063-S	4.77	889.00	0.00	2.0000	SCS_Rain
SubCatch_S_OAK_ST TRMB02067-S	1.83	316.00	0.00	2.0000	SCS_Rain
SubCatch_S_OAK_ST_1 TRMB02060-S	1.21	209.00	0.00	2.0000	SCS_Rain
SubCatch_S_ROTARY_AV TRMB03103-S	4.53	378.00	0.00	2.0000	SCS_Rain
SubCatch_S_ROTARY_AV_1 TRMB03037-S	4.43	825.00	0.00	2.0000	SCS_Rain
SubCatch_S_ROTARY_AV_2 TRMB03092-S	1.84	153.00	0.00	2.0000	SCS_Rain
SubCatch_S_ROTARY_AV_3 TRMB03091-S	0.78	65.00	0.00	2.0000	SCS_Rain
SubCatch_S_ROTARY_AV_5 TRMB03091-S	0.64	53.00	0.00	2.0000	SCS_Rain
SubCatch_S_WOODLAWN_AV TRMB03092-S	0.93	78.00	0.00	2.0000	SCS_Rain
SubCatch_SPRUCE_ST TRMB04089-S	49.16	1680.00	0.00	2.0000	SCS_Rain
SubCatch_STATON_HOUSE_RD JMTB01003-S	31.58	277.73	0.00	0.5000	SCS_Rain
SubCatch_STUDENT_ST TRMB03111-S	5.72	477.00	0.00	2.0000	SCS_Rain
SubCatch_TRENT_CI PCTB02001-S	10.13	89.12	0.00	0.5000	SCS_Rain
SubCatch_TRENT_CI_1 PCTB02304-S	28.21	248.13	0.00	0.5000	SCS_Rain
SubCatch_VANCE_2 TRMB04089-S	2.88	346.00	0.00	2.0000	SCS_Rain
SubCatch_VANCE_ST_1 TRMB05020-S	0.03	4.00	0.00	2.0000	SCS_Rain
SubCatch_VANCE_ST_2 TRMB05025-S	0.32	38.00	0.00	2.0000	SCS_Rain

Future Conditions (10-Year)

SubCatch_VANCE_ST_3 TRMB05017_US-S	1.15	138.00	0.00	2.0000	SCS_Rain
SubCatch_VANCE_ST_4 TRMB05014-S	1.19	143.00	0.00	2.0000	SCS_Rain
SubCatch_VANCE_ST_5 TRMB05005-S	1.19	143.00	0.00	2.0000	SCS_Rain
SubCatch_VANCE_ST_6 TRMB05027-S	0.23	28.00	0.00	2.0000	SCS_Rain
SubCatch_VANCE_ST_7 TRMB05004-S	0.28	34.00	0.00	2.0000	SCS_Rain
SubCatch_W_3RD_ST TRMB05015-S	0.01	1.00	0.00	2.0000	SCS_Rain
SubCatch_W_3RD_ST_1 TRMB05035-S	0.02	2.00	0.00	2.0000	SCS_Rain
SubCatch_W_3RD_ST_2 TRMB05036-S	0.29	29.00	0.00	2.0000	SCS_Rain
SubCatch_W_3RD_ST_3 TRMB05037-S	1.04	104.00	0.00	2.0000	SCS_Rain
SubCatch_W_3RD_ST_5 TRMB05029-S	0.75	90.00	0.00	2.0000	SCS_Rain
SubCatch_W_3RD_ST_6 TRMB05013-S	0.42	50.00	0.00	2.0000	SCS_Rain
SubCatch_W_3RD_ST_7 TRMB05023-S	0.17	20.00	0.00	2.0000	SCS_Rain
SubCatch_W_3RD_ST_8 TRMB05022-S	0.48	58.00	0.00	2.0000	SCS_Rain
SubCatch_W_3RD_ST_9 TRMB05045-S	1.40	340.00	0.00	2.0000	SCS_Rain
SubCatch_W_4TH_ST TRMB04265-S	0.80	96.00	0.00	2.0000	SCS_Rain
SubCatch_W_4TH_ST_2 TRMB05032-S	0.68	82.00	0.00	2.0000	SCS_Rain
SubCatch_W_5th_ST TRMB04089-S	8.56	1027.00	0.00	2.0000	SCS_Rain
SubCatch_WILLOW_ST TRMB03016	2.14	399.00	0.00	2.0000	SCS_Rain
SubCatch_WILLOW_ST_1 TRMB03027	0.42	78.00	0.00	2.0000	SCS_Rain
SubCatch_WILSONACRES_APT TRMB02044_DS-S	6.11	1056.00	0.00	2.0000	SCS_Rain
SubCatch_WOODSIDE_RD PCTB02292-S	21.82	191.89	0.00	0.5000	SCS_Rain
SubCatch_WOODSIDE_RD_1 PCTB02297-S	11.34	99.76	0.00	0.5000	SCS_Rain
SubInsert PCTB02189-S	16.40	144.20	0.00	0.5000	SCS_Rain

Node Summary

Name	Type	Invert Elev.	Max. Depth	Ponded Area	External Inflow
CountrySideE_Ditch_Culvert_In	JUNCTION		21.65	5.85	0.0
CountrySideE_Ditch_Culvert_In-S	JUNCTION		27.50	0.75	0.0
JMTB01003	JUNCTION	25.02	2.50	0.0	
JMTB01003-S	JUNCTION	27.02	0.75	0.0	
JMTB01004	JUNCTION	25.07	2.52	0.0	
JMTB01004-S	JUNCTION	27.59	0.75	0.0	
JMTB01005	JUNCTION	25.28	2.01	0.0	
JMTB01005-S	JUNCTION	27.29	0.75	0.0	

Future Conditions (10-Year)

JMTB01006	JUNCTION	24.59	2.00	0.0
JMTB01006-S	JUNCTION	26.54	0.75	0.0
JMTB01102	JUNCTION	26.59	2.47	0.0
JMTB01102-S	JUNCTION	29.06	0.75	0.0
JMTB01103	JUNCTION	26.42	3.15	0.0
JMTB01103-S	JUNCTION	29.57	0.75	0.0
JMTB01104	JUNCTION	26.63	3.11	0.0
JMTB01104-S	JUNCTION	29.74	0.75	0.0
JMTB01105	JUNCTION	26.03	2.50	0.0
JMTB01105-S	JUNCTION	27.81	0.75	0.0
PCTB01068	JUNCTION	19.35	6.01	0.0
PCTB01068_US	JUNCTION	20.00	5.30	0.0
PCTB01068_US-S	JUNCTION	25.30	0.75	0.0
PCTB01068-S	JUNCTION	25.36	0.75	0.0
PCTB02001	JUNCTION	21.78	2.10	0.0
PCTB02001-S	JUNCTION	23.38	0.75	0.0
PCTB02002	JUNCTION	21.99	2.26	0.0
PCTB02002-S	JUNCTION	24.25	0.75	0.0
PCTB02003	JUNCTION	23.98	2.25	0.0
PCTB02003-S	JUNCTION	26.23	0.75	0.0
PCTB02004	JUNCTION	24.16	4.00	0.0
PCTB02004-S	JUNCTION	26.41	0.75	0.0
PCTB02005	JUNCTION	24.40	4.00	0.0
PCTB02008	JUNCTION	21.64	4.00	0.0
PCTB02011	JUNCTION	21.86	4.90	0.0
PCTB02011-S	JUNCTION	26.76	0.75	0.0
PCTB02012	JUNCTION	21.62	4.44	0.0
PCTB02012-S	JUNCTION	26.06	0.75	0.0
PCTB02014	JUNCTION	20.70	3.50	0.0
PCTB02014-S	JUNCTION	23.23	0.75	0.0
PCTB02015	JUNCTION	20.97	3.00	0.0
PCTB02015-S	JUNCTION	23.64	0.75	0.0
PCTB02016	JUNCTION	24.23	1.65	0.0
PCTB02016-S	JUNCTION	25.88	0.75	0.0
PCTB02017	JUNCTION	23.99	1.90	0.0
PCTB02017-S	JUNCTION	25.89	0.75	0.0
PCTB02022	JUNCTION	22.32	2.44	0.0
PCTB02022-S	JUNCTION	24.76	0.75	0.0
PCTB02023	JUNCTION	22.35	2.37	0.0
PCTB02023-S	JUNCTION	24.72	0.75	0.0
PCTB02075	JUNCTION	17.22	7.05	0.0
PCTB02076	JUNCTION	17.71	7.00	0.0
PCTB02080	JUNCTION	16.83	7.65	0.0
PCTB02159	JUNCTION	18.00	7.00	0.0
PCTB02160	JUNCTION	17.99	9.00	0.0
PCTB02189	JUNCTION	19.57	4.19	0.0
PCTB02189-S	JUNCTION	23.76	0.75	0.0
PCTB02191	JUNCTION	18.41	4.59	0.0
PCTB02191_DS	JUNCTION	17.20	10.00	0.0
PCTB02191_DS-S	JUNCTION	22.20	0.75	0.0
PCTB02191-S	JUNCTION	23.00	0.75	0.0
PCTB02207	JUNCTION	20.62	4.00	0.0
PCTB02207-S	JUNCTION	24.62	0.75	0.0
PCTB02209	JUNCTION	21.08	4.00	0.0
PCTB02209-S	JUNCTION	25.08	0.75	0.0
PCTB02220	JUNCTION	18.55	9.00	0.0
PCTB02229	JUNCTION	18.88	9.00	0.0
PCTB02229-S	JUNCTION	24.52	0.75	0.0
PCTB02231	JUNCTION	19.10	5.70	0.0
PCTB02231-S	JUNCTION	24.80	0.75	0.0
PCTB02233	JUNCTION	25.41	27.21	0.0
PCTB02235	JUNCTION	19.85	5.55	0.0

Future Conditions (10-Year)

PCTB02235-S	JUNCTION	25.40	0.75	0.0
PCTB02237	JUNCTION	20.03	5.55	0.0
PCTB02237-S	JUNCTION	25.58	0.75	0.0
PCTB02257	JUNCTION	21.36	5.60	0.0
PCTB02257_1	JUNCTION	21.36	5.40	0.0
PCTB02257_1-S	JUNCTION	26.76	0.75	0.0
PCTB02257-S	JUNCTION	26.96	0.75	0.0
PCTB02260	JUNCTION	21.38	4.55	0.0
PCTB02260-S	JUNCTION	25.93	0.75	0.0
PCTB02262	JUNCTION	21.28	4.50	0.0
PCTB02262-S	JUNCTION	25.78	0.75	0.0
PCTB02275	JUNCTION	21.45	4.10	0.0
PCTB02275-S	JUNCTION	25.55	0.75	0.0
PCTB02276	JUNCTION	21.52	4.60	0.0
PCTB02276-S	JUNCTION	26.12	0.75	0.0
PCTB02278	JUNCTION	22.24	4.00	0.0
PCTB02278-S	JUNCTION	24.64	0.75	0.0
PCTB02280	JUNCTION	18.89	3.69	0.0
PCTB02280-S	JUNCTION	22.58	0.75	0.0
PCTB02281	JUNCTION	19.16	3.61	0.0
PCTB02281-S	JUNCTION	22.77	0.75	0.0
PCTB02282	JUNCTION	19.76	5.39	0.0
PCTB02282-S	JUNCTION	25.15	0.75	0.0
PCTB02283	JUNCTION	19.92	2.95	0.0
PCTB02283-S	JUNCTION	22.87	0.75	0.0
PCTB02284	JUNCTION	20.26	2.92	0.0
PCTB02284-S	JUNCTION	23.18	0.75	0.0
PCTB02292	JUNCTION	18.00	7.50	0.0
PCTB02292-S	JUNCTION	23.00	0.75	0.0
PCTB02294	JUNCTION	17.67	7.50	0.0
PCTB02294-S	JUNCTION	22.67	0.75	0.0
PCTB02295	JUNCTION	17.24	10.00	0.0
PCTB02295-S	JUNCTION	22.24	0.75	0.0
PCTB02297	JUNCTION	20.41	2.90	0.0
PCTB02297-S	JUNCTION	23.31	0.75	0.0
PCTB02302	JUNCTION	18.34	6.00	0.0
PCTB02302-S	JUNCTION	23.34	0.75	0.0
PCTB02303	JUNCTION	18.13	7.12	0.0
PCTB02303-S	JUNCTION	25.25	0.75	0.0
PCTB02304	JUNCTION	18.37	5.23	0.0
PCTB02304-S	JUNCTION	23.60	0.75	0.0
PCTB02312	JUNCTION	18.25	6.00	0.0
PCTB02312-S	JUNCTION	23.25	0.75	0.0
PCTB02329	JUNCTION	22.16	2.07	0.0
PCTB02329-S	JUNCTION	24.23	0.75	0.0
PCTB02330	JUNCTION	22.30	3.12	0.0
PCTB02330-S	JUNCTION	25.42	0.75	0.0
PCTB02331	JUNCTION	22.22	2.82	0.0
PCTB02331-S	JUNCTION	25.04	0.75	0.0
PCTB02332	JUNCTION	22.20	3.47	0.0
PCTB02332-S	JUNCTION	25.67	0.75	0.0
TRMB02002	JUNCTION	5.55	10.66	0.0
TRMB02002-S	JUNCTION	16.21	0.75	0.0
TRMB02003	JUNCTION	2.88	9.70	0.0
TRMB02003-S	JUNCTION	12.58	0.75	0.0
TRMB02006	JUNCTION	8.60	9.30	0.0
TRMB02006-S	JUNCTION	17.90	0.75	0.0
TRMB02009	JUNCTION	17.27	9.55	0.0
TRMB02009-S	JUNCTION	26.82	0.75	0.0
TRMB02012	JUNCTION	19.50	7.30	0.0
TRMB02012-S	JUNCTION	26.80	0.75	0.0
TRMB02015	JUNCTION	21.05	4.09	0.0

Future Conditions (10-Year)

TRMB02015-S	JUNCTION	25.14	0.75	0.0
TRMB02016	JUNCTION	21.14	4.08	0.0
TRMB02016-S	JUNCTION	25.22	0.75	0.0
TRMB02018	JUNCTION	22.91	5.75	0.0
TRMB02018-S	JUNCTION	28.66	0.75	0.0
TRMB02022	JUNCTION	23.78	4.78	0.0
TRMB02022-S	JUNCTION	28.56	0.75	0.0
TRMB02023	JUNCTION	26.02	3.17	0.0
TRMB02023-S	JUNCTION	29.19	0.75	0.0
TRMB02030	JUNCTION	26.92	2.30	0.0
TRMB02030-S	JUNCTION	29.22	0.75	0.0
TRMB02032	JUNCTION	29.04	4.64	0.0
TRMB02032-S	JUNCTION	33.68	0.75	0.0
TRMB02033	JUNCTION	29.82	3.92	0.0
TRMB02033-S	JUNCTION	33.74	0.75	0.0
TRMB02034	JUNCTION	30.95	3.38	0.0
TRMB02034-S	JUNCTION	34.33	0.75	0.0
TRMB02035	JUNCTION	34.22	2.12	0.0
TRMB02035-S	JUNCTION	36.34	0.75	0.0
TRMB02044	JUNCTION	30.90	6.20	0.0
TRMB02044_DS	JUNCTION	24.15	8.87	0.0
TRMB02044_DS-S	JUNCTION	33.02	0.75	0.0
TRMB02044-S	JUNCTION	37.10	0.75	0.0
TRMB02045	JUNCTION	30.78	5.96	0.0
TRMB02045-S	JUNCTION	36.74	0.75	0.0
TRMB02046	JUNCTION	33.03	3.60	0.0
TRMB02046-S	JUNCTION	36.63	0.75	0.0
TRMB02047	JUNCTION	34.19	2.57	0.0
TRMB02047-S	JUNCTION	36.76	0.75	0.0
TRMB02048	JUNCTION	35.97	3.28	0.0
TRMB02048-S	JUNCTION	39.25	0.75	0.0
TRMB02049	JUNCTION	36.55	2.79	0.0
TRMB02049-S	JUNCTION	39.34	0.75	0.0
TRMB02050	JUNCTION	30.87	5.15	0.0
TRMB02050-S	JUNCTION	36.02	0.75	0.0
TRMB02051	JUNCTION	31.09	3.81	0.0
TRMB02051-S	JUNCTION	34.90	0.75	0.0
TRMB02052	JUNCTION	31.25	3.55	0.0
TRMB02052-S	JUNCTION	34.80	0.75	0.0
TRMB02056	JUNCTION	31.41	3.79	0.0
TRMB02056-S	JUNCTION	35.20	0.75	0.0
TRMB02057	JUNCTION	31.54	3.80	0.0
TRMB02057-S	JUNCTION	35.34	0.75	0.0
TRMB02060	JUNCTION	34.30	6.94	0.0
TRMB02060-S	JUNCTION	41.24	0.75	0.0
TRMB02063	JUNCTION	40.17	3.50	0.0
TRMB02063-S	JUNCTION	43.67	0.75	0.0
TRMB02064	JUNCTION	41.04	3.52	0.0
TRMB02064-S	JUNCTION	44.56	0.75	0.0
TRMB02067	JUNCTION	41.26	4.94	0.0
TRMB02067-S	JUNCTION	46.20	0.75	0.0
TRMB02068	JUNCTION	42.12	6.54	0.0
TRMB02068-S	JUNCTION	48.66	0.75	0.0
TRMB02069	JUNCTION	42.57	6.83	0.0
TRMB02069-S	JUNCTION	49.40	0.75	0.0
TRMB02070	JUNCTION	42.72	6.88	0.0
TRMB02070-S	JUNCTION	49.60	0.75	0.0
TRMB03016	JUNCTION	7.94	6.94	0.0
TRMB03016-S	JUNCTION	14.88	0.00	0.0
TRMB03022	JUNCTION	9.90	2.89	0.0
TRMB03022-S	JUNCTION	12.57	0.75	0.0
TRMB03025	JUNCTION	12.79	6.80	0.0

Future Conditions (10-Year)

TRMB03025-S	JUNCTION	19.59	0.75	0.0
TRMB03026	JUNCTION	15.11	1.00	0.0
TRMB03027	JUNCTION	15.45	2.96	0.0
TRMB03028	JUNCTION	12.78	7.31	0.0
TRMB03028-S	JUNCTION	20.09	0.75	0.0
TRMB03029	JUNCTION	13.78	5.35	0.0
TRMB03029-S	JUNCTION	19.13	0.75	0.0
TRMB03030	JUNCTION	14.88	6.00	0.0
TRMB03030-S	JUNCTION	19.95	0.75	0.0
TRMB03031	JUNCTION	17.87	8.21	0.0
TRMB03031-S	JUNCTION	26.08	0.75	0.0
TRMB03032	JUNCTION	21.26	7.36	0.0
TRMB03032-S	JUNCTION	28.62	0.75	0.0
TRMB03033	JUNCTION	27.53	2.68	0.0
TRMB03033-S	JUNCTION	30.21	0.75	0.0
TRMB03034	JUNCTION	27.34	3.02	0.0
TRMB03034-S	JUNCTION	30.36	0.75	0.0
TRMB03035	JUNCTION	25.87	3.41	0.0
TRMB03035-S	JUNCTION	29.28	0.75	0.0
TRMB03036	JUNCTION	21.73	7.55	0.0
TRMB03036-S	JUNCTION	29.28	0.75	0.0
TRMB03037	JUNCTION	27.75	2.92	0.0
TRMB03037-S	JUNCTION	30.67	0.75	0.0
TRMB03038	JUNCTION	26.54	3.86	0.0
TRMB03038-S	JUNCTION	30.40	0.75	0.0
TRMB03039	JUNCTION	23.34	6.56	0.0
TRMB03039-S	JUNCTION	29.90	0.75	0.0
TRMB03042	JUNCTION	35.90	4.77	0.0
TRMB03042-S	JUNCTION	40.67	0.75	0.0
TRMB03043	JUNCTION	24.32	4.27	0.0
TRMB03043-S	JUNCTION	28.59	0.75	0.0
TRMB03044	JUNCTION	25.42	3.12	0.0
TRMB03044-S	JUNCTION	28.54	0.75	0.0
TRMB03049	JUNCTION	24.75	4.47	0.0
TRMB03049-S	JUNCTION	29.22	0.75	0.0
TRMB03051	JUNCTION	25.33	2.81	0.0
TRMB03051-S	JUNCTION	28.14	0.75	0.0
TRMB03052	JUNCTION	27.03	1.33	0.0
TRMB03052-S	JUNCTION	28.36	0.75	0.0
TRMB03054	JUNCTION	25.44	2.93	0.0
TRMB03054-S	JUNCTION	28.37	0.75	0.0
TRMB03055	JUNCTION	25.50	2.72	0.0
TRMB03055-S	JUNCTION	28.22	0.75	0.0
TRMB03063	JUNCTION	28.00	3.07	0.0
TRMB03063-S	JUNCTION	31.07	0.75	0.0
TRMB03065	JUNCTION	2.53	11.47	0.0
TRMB03065-S	JUNCTION	14.00	0.75	0.0
TRMB03067	JUNCTION	18.14	2.51	0.0
TRMB03067-S	JUNCTION	20.65	0.75	0.0
TRMB03068	JUNCTION	4.83	10.55	0.0
TRMB03068-S	JUNCTION	15.38	0.75	0.0
TRMB03069	JUNCTION	3.40	10.83	0.0
TRMB03069-S	JUNCTION	14.23	0.75	0.0
TRMB03070	JUNCTION	4.58	9.56	0.0
TRMB03070-S	JUNCTION	14.14	0.75	0.0
TRMB03072	JUNCTION	8.98	9.12	0.0
TRMB03072-S	JUNCTION	18.10	0.75	0.0
TRMB03073	JUNCTION	16.56	2.83	0.0
TRMB03073-S	JUNCTION	19.39	0.75	0.0
TRMB03083	JUNCTION	9.78	8.84	0.0
TRMB03083-S	JUNCTION	18.62	0.75	0.0
TRMB03084	JUNCTION	9.00	8.95	0.0

Future Conditions (10-Year)

TRMB03084-S	JUNCTION	17.95	0.75	0.0
TRMB03087	JUNCTION	9.90	6.37	0.0
TRMB03087-S	JUNCTION	16.27	0.75	0.0
TRMB03088	JUNCTION	21.54	8.31	0.0
TRMB03088-S	JUNCTION	29.85	0.75	0.0
TRMB03089	JUNCTION	22.54	7.28	0.0
TRMB03089-S	JUNCTION	29.82	0.75	0.0
TRMB03090	JUNCTION	22.36	6.58	0.0
TRMB03090-S	JUNCTION	28.94	0.75	0.0
TRMB03091	JUNCTION	26.44	7.38	0.0
TRMB03091-S	JUNCTION	33.82	0.75	0.0
TRMB03092	JUNCTION	29.88	1.79	0.0
TRMB03092-S	JUNCTION	31.67	0.75	0.0
TRMB03094	JUNCTION	28.09	6.83	0.0
TRMB03094-S	JUNCTION	34.92	0.75	0.0
TRMB03095	JUNCTION	32.05	2.87	0.0
TRMB03095-S	JUNCTION	34.92	0.75	0.0
TRMB03096	JUNCTION	28.15	8.21	0.0
TRMB03096-S	JUNCTION	36.36	0.75	0.0
TRMB03097	JUNCTION	34.36	5.92	0.0
TRMB03097-S	JUNCTION	40.28	0.75	0.0
TRMB03101	JUNCTION	32.50	4.70	0.0
TRMB03101-S	JUNCTION	37.20	0.75	0.0
TRMB03102	JUNCTION	29.27	8.41	0.0
TRMB03102-S	JUNCTION	37.68	0.75	0.0
TRMB03103	JUNCTION	33.01	8.03	0.0
TRMB03103-S	JUNCTION	41.04	0.75	0.0
TRMB03111	JUNCTION	35.20	7.03	0.0
TRMB03111-S	JUNCTION	42.23	0.75	0.0
TRMB03132	JUNCTION	13.00	10.67	0.0
TRMB03132-S	JUNCTION	23.67	0.75	0.0
TRMB04089	JUNCTION	47.97	12.80	0.0
TRMB04089-S	JUNCTION	60.77	0.75	0.0
TRMB04265-S	JUNCTION	59.86	0.00	0.0
TRMB05002	JUNCTION	38.19	5.75	0.0
TRMB05002-S	JUNCTION	43.94	0.75	0.0
TRMB05003	JUNCTION	39.42	7.80	0.0
TRMB05003-S	JUNCTION	47.22	0.75	0.0
TRMB05004	JUNCTION	39.50	6.99	0.0
TRMB05004-S	JUNCTION	46.49	0.75	0.0
TRMB05005	JUNCTION	40.00	8.14	0.0
TRMB05005-S	JUNCTION	48.14	0.75	0.0
TRMB05006	JUNCTION	40.76	8.60	0.0
TRMB05006-S	JUNCTION	49.36	0.75	0.0
TRMB05008	JUNCTION	43.68	3.90	0.0
TRMB05008-S	JUNCTION	47.58	0.75	0.0
TRMB05009	JUNCTION	45.01	6.50	0.0
TRMB05009_DS	JUNCTION	43.83	7.09	0.0
TRMB05009_DS-S	JUNCTION	50.92	0.75	0.0
TRMB05009-S	JUNCTION	51.51	0.75	0.0
TRMB05010	JUNCTION	46.18	3.05	0.0
TRMB05010-S	JUNCTION	49.23	0.75	0.0
TRMB05011	JUNCTION	46.91	2.90	0.0
TRMB05011-S	JUNCTION	49.81	0.75	0.0
TRMB05012	JUNCTION	46.81	2.90	0.0
TRMB05012-S	JUNCTION	49.71	0.75	0.0
TRMB05013	JUNCTION	48.96	2.10	0.0
TRMB05013-S	JUNCTION	51.06	0.75	0.0
TRMB05014	JUNCTION	48.61	2.60	0.0
TRMB05014-S	JUNCTION	51.21	0.75	0.0
TRMB05015	JUNCTION	46.05	8.60	0.0
TRMB05015-S	JUNCTION	54.65	0.75	0.0

Future Conditions (10-Year)

TRMB05016	JUNCTION	50.41	4.00	0.0
TRMB05016-S	JUNCTION	54.41	0.75	0.0
TRMB05017	JUNCTION	46.23	9.45	0.0
TRMB05017_US	JUNCTION	47.08	11.09	0.0
TRMB05017_US-S	JUNCTION	58.17	0.75	0.0
TRMB05017-S	JUNCTION	55.68	0.75	0.0
TRMB05018	JUNCTION	50.34	4.15	0.0
TRMB05018-S	JUNCTION	54.49	0.75	0.0
TRMB05019	JUNCTION	50.62	3.50	0.0
TRMB05019-S	JUNCTION	54.12	0.75	0.0
TRMB05020	JUNCTION	50.78	3.50	0.0
TRMB05020-S	JUNCTION	54.28	0.75	0.0
TRMB05021	JUNCTION	51.47	3.20	0.0
TRMB05021-S	JUNCTION	54.67	0.75	0.0
TRMB05022	JUNCTION	50.10	4.30	0.0
TRMB05022-S	JUNCTION	54.40	0.75	0.0
TRMB05023	JUNCTION	51.41	1.25	0.0
TRMB05023-S	JUNCTION	51.41	0.75	0.0
TRMB05025	JUNCTION	53.20	2.00	0.0
TRMB05025-S	JUNCTION	55.20	0.75	0.0
TRMB05026	JUNCTION	50.05	2.65	0.0
TRMB05026-S	JUNCTION	52.70	0.75	0.0
TRMB05027	JUNCTION	52.70	2.04	0.0
TRMB05027-S	JUNCTION	54.74	0.75	0.0
TRMB05028	JUNCTION	51.94	3.50	0.0
TRMB05028-S	JUNCTION	55.44	0.75	0.0
TRMB05029	JUNCTION	51.62	3.20	0.0
TRMB05029-S	JUNCTION	54.82	0.75	0.0
TRMB05030	JUNCTION	52.44	2.75	0.0
TRMB05030-S	JUNCTION	55.19	0.75	0.0
TRMB05031	JUNCTION	53.30	2.02	0.0
TRMB05031-S	JUNCTION	55.32	0.75	0.0
TRMB05032	JUNCTION	52.96	2.40	0.0
TRMB05032-S	JUNCTION	55.36	0.75	0.0
TRMB05033	JUNCTION	52.44	2.75	0.0
TRMB05033-S	JUNCTION	55.19	0.75	0.0
TRMB05034	JUNCTION	53.11	2.40	0.0
TRMB05034-S	JUNCTION	55.51	0.75	0.0
TRMB05035	JUNCTION	52.75	3.10	0.0
TRMB05035-S	JUNCTION	55.85	0.75	0.0
TRMB05036	JUNCTION	53.15	2.35	0.0
TRMB05036-S	JUNCTION	55.50	0.75	0.0
TRMB05037	JUNCTION	54.00	1.70	0.0
TRMB05037-S	JUNCTION	55.70	0.75	0.0
TRMB05038	JUNCTION	53.35	2.35	0.0
TRMB05038-S	JUNCTION	55.70	0.75	0.0
TRMB05039	JUNCTION	53.50	2.02	0.0
TRMB05039-S	JUNCTION	55.52	0.75	0.0
TRMB05040	JUNCTION	48.84	7.05	0.0
TRMB05040-S	JUNCTION	55.89	0.75	0.0
TRMB05041	JUNCTION	46.90	5.35	0.0
TRMB05041-S	JUNCTION	52.25	0.75	0.0
TRMB05042	JUNCTION	49.69	2.65	0.0
TRMB05042-S	JUNCTION	52.34	0.75	0.0
TRMB05043	JUNCTION	46.37	6.49	0.0
TRMB05043-S	JUNCTION	52.86	0.75	0.0
TRMB05044	JUNCTION	47.57	3.55	0.0
TRMB05044-S	JUNCTION	51.12	0.75	0.0
TRMB05045	JUNCTION	46.68	5.80	0.0
TRMB05045-S	JUNCTION	52.48	0.75	0.0
TRMB05046	JUNCTION	43.27	4.40	0.0
TRMB05046-S	JUNCTION	47.67	0.75	0.0

Future Conditions (10-Year)

TRMB05047	JUNCTION	41.52	1.50	0.0
TRMB05048	JUNCTION	42.82	5.46	0.0
TRMB05048-S	JUNCTION	48.28	0.75	0.0
PCTB01066	OUTFALL	17.98	3.00	0.0
PCTB02009	OUTFALL	21.77	3.00	0.0
PCTB02081	OUTFALL	16.83	6.70	0.0
TRMB02001	OUTFALL	-0.35	3.00	0.0
TRMB03012	OUTFALL	7.18	2.50	0.0
TRMB03066	OUTFALL	0.00	3.00	0.0
TRMB05001	OUTFALL	23.60	3.50	0.0

Link Summary

Name	From Node	To Node	Type	Length	%Slope

C1	PCTB02159	PCTB02076	CONDUIT	86.8	0.3340
0.0150					
C14	PCTB02329	PCTB02002	CONDUIT	27.5	0.6177
0.0200					
C2_1	PCTB02191	PCTB02191_DS	CONDUIT	20.7	5.8640
0.0150					
C2_1-S	PCTB02191-S	PCTB02191_DS-S	CONDUIT	20.7	3.8732
0.0140					
C2_2	PCTB02191_DS	PCTB02080	CONDUIT	619.3	0.0355
0.0200					
C3	PCTB02280-S	PCTB02282-S	CONDUIT	309.1	-0.8314
0.0140					
C9	TRMB05043	TRMB05009_DS	CONDUIT	14.1	18.3407
0.0150					
C9-S	TRMB05043-S	TRMB05009_DS-S	CONDUIT	14.1	13.9111
0.0140					
CountrySideE_Ditch	JMTB01006	CountrySideE_Ditch_Culvert_In	CONDUIT		
3616.4	0.0812	0.0200			
CountrySideE_Ditch_Culvert	CountrySideE_Ditch_Culvert_In	PCTB02257	CONDUIT		
106.3	0.1411	0.0150			
CountrySideE_Ditch_Culvert-S	CountrySideE_Ditch_Culvert_In-S	PCTB02257-S			
CONDUIT	106.3	0.5079	0.0140		
JMTB01003	JMTB01003	JMTB01004	CONDUIT	9.3	-0.5460
0.0150					
JMTB01003-S	JMTB01003-S	JMTB01004-S	CONDUIT	9.3	-6.1142
0.0140					
JMTB01004	JMTB01004	JMTB01005	CONDUIT	38.6	-0.5419
0.0130					
JMTB01004-S	JMTB01004-S	JMTB01005-S	CONDUIT	38.6	0.7778
0.0140					
JMTB01005	JMTB01005	JMTB01006	CONDUIT	338.1	0.2050
0.0130					
JMTB01005-S	JMTB01005-S	JMTB01006-S	CONDUIT	338.1	0.2227
0.0140					
JMTB01102	JMTB01102	JMTB01103	CONDUIT	20.3	0.8358
0.0130					
JMTB01102-S	JMTB01102-S	JMTB01103-S	CONDUIT	20.3	-2.5082
0.0140					
JMTB01103	JMTB01103	JMTB01105	CONDUIT	164.6	0.2369
0.0130					
JMTB01103_1	JMTB01105	JMTB01003	CONDUIT	299.1	0.3376
0.0200					

Future Conditions (10-Year)

JMTB01103-S 0.0140	JMTB01103-S	JMTB01105-S	CONDUIT	164.6	1.0693
JMTB01104 0.0130	JMTB01104	JMTB01103	CONDUIT	21.3	0.9864
JMTB01104-S 0.0140	JMTB01104-S	JMTB01103-S	CONDUIT	21.3	0.7985
PCTB01068 0.0150	PCTB01068	PCTB01066	CONDUIT	512.6	0.2675
PCTB01068_US 0.0150	PCTB01068_US	PCTB01068	CONDUIT	220.6	0.2947
PCTB01068_US-S 0.0140	PCTB01068_US-S	PCTB01068-S	CONDUIT	220.6	-0.0272
PCTB02001 0.0200	PCTB02001	PCTB02015	CONDUIT	924.6	0.0876
PCTB02002 0.0130	PCTB02002	PCTB02001	CONDUIT	48.2	0.4357
PCTB02002-S 0.0140	PCTB02002-S	PCTB02001-S	CONDUIT	48.2	1.8053
PCTB02003 0.0150	PCTB02003	PCTB02004	CONDUIT	63.9	-0.2816
PCTB02003-S 0.0140	PCTB02003-S	PCTB02004-S	CONDUIT	63.9	-0.2816
PCTB02008 0.0150	PCTB02008	PCTB02009	CONDUIT	87.0	-0.1471
PCTB02011 0.0130	PCTB02012	PCTB02011	CONDUIT	28.6	-0.8404
PCTB02011_1 0.0200	PCTB02011	PCTB02008	CONDUIT	306.7	0.0717
PCTB02011-S 0.0140	PCTB02012-S	PCTB02011-S	CONDUIT	28.6	-2.4517
PCTB02014 0.0130	PCTB02015	PCTB02014	CONDUIT	28.1	0.9612
PCTB02014_1 0.0200	PCTB02014	PCTB02012	CONDUIT	793.0	-0.1160
PCTB02014-S 0.0140	PCTB02015-S	PCTB02014-S	CONDUIT	28.1	1.4597
PCTB02016 0.0150	PCTB02016	PCTB02017	CONDUIT	31.9	0.7513
PCTB02016-S 0.0140	PCTB02016-S	PCTB02017-S	CONDUIT	31.9	-0.0313
PCTB02020 0.0100	PCTB02005	PCTB02016	CONDUIT	261.2	0.0383
PCTB02021 0.0100	PCTB02017	PCTB02003	CONDUIT	302.9	0.0033
PCTB02022 0.0150	PCTB02022	PCTB02023	CONDUIT	32.9	-0.0912
PCTB02022-S 0.0140	PCTB02022-S	PCTB02023-S	CONDUIT	32.9	0.1216
PCTB02023 0.0150	PCTB02023	PCTB02332	CONDUIT	127.2	0.1179
PCTB02023-S 0.0140	PCTB02023-S	PCTB02332-S	CONDUIT	127.2	-0.7468
PCTB02076 0.0150	PCTB02076	PCTB02075	CONDUIT	113.4	0.4320
PCTB02080 0.0150	PCTB02080	PCTB02081	CONDUIT	172.5	0.0006
PCTB02160 0.0150	PCTB02160	PCTB02159	CONDUIT	71.5	-0.0140
PCTB02172 0.0100	PCTB02075	PCTB02080	CONDUIT	82.9	0.4702
PCTB02189 0.0130	PCTB02189	PCTB02191	CONDUIT	231.5	0.5010

Future Conditions (10-Year)

PCTB02189-S 0.0140	PCTB02189-S	PCTB02191-S	CONDUIT	231.5	0.3283
PCTB02208 0.0150	PCTB02209	PCTB02207	CONDUIT	96.0	0.4789
PCTB02208-S 0.0140	PCTB02209-S	PCTB02207-S	CONDUIT	96.0	0.4789
PCTB02231 0.0150	PCTB02231	PCTB02229	CONDUIT	282.3	0.0779
PCTB02231-S 0.0140	PCTB02231-S	PCTB02229-S	CONDUIT	282.3	0.0992
PCTB02237 0.0150	PCTB02237	PCTB02235	CONDUIT	88.8	0.2027
PCTB02237-S 0.0140	PCTB02237-S	PCTB02235-S	CONDUIT	88.8	0.2049
PCTB02239 0.0200	PCTB02233	PCTB02237	CONDUIT	348.6	1.5435
PCTB02240 0.0200	PCTB02207	PCTB02237	CONDUIT	464.7	0.1270
PCTB02259_1 0.0100	PCTB02257	PCTB02257_1	CONDUIT	35.4	0.0028
PCTB02259_2 0.0100	PCTB02257_1	PCTB02260	CONDUIT	146.5	-0.0137
PCTB02260 0.0150	PCTB02260	PCTB02262	CONDUIT	69.1	0.1447
PCTB02260-S 0.0140	PCTB02260-S	PCTB02262-S	CONDUIT	69.1	0.2171
PCTB02264 0.0100	PCTB02262	PCTB02209	CONDUIT	476.6	0.0420
PCTB02274 0.0130	PCTB02008	PCTB02005	CONDUIT	1148.4	-0.2403
PCTB02275 0.0150	PCTB02275	PCTB02257_1	CONDUIT	24.9	0.3614
PCTB02275-S 0.0140	PCTB02275-S	PCTB02257_1-S	CONDUIT	24.9	-4.8652
PCTB02276 0.0150	PCTB02276	PCTB02275	CONDUIT	593.0	0.0118
PCTB02276-S 0.0140	PCTB02276-S	PCTB02275-S	CONDUIT	593.0	0.0961
PCTB02278 0.0150	PCTB02278	PCTB02276	CONDUIT	157.0	0.4585
PCTB02278-S 0.0140	PCTB02278-S	PCTB02276-S	CONDUIT	157.0	-0.9425
PCTB02279 0.0100	PCTB02004	PCTB02278	CONDUIT	1283.9	0.1495
PCTB02280 0.0130	PCTB02280	PCTB02292	CONDUIT	147.4	0.6038
PCTB02280-S 0.0140	PCTB02280-S	PCTB02292-S	CONDUIT	147.4	-0.2849
PCTB02281 0.0130	PCTB02281	PCTB02280	CONDUIT	24.6	1.0981
PCTB02281-S 0.0140	PCTB02281-S	PCTB02280-S	CONDUIT	24.6	0.7727
PCTB02282 0.0130	PCTB02282	PCTB02312	CONDUIT	153.8	0.9820
PCTB02282-S 0.0140	PCTB02282-S	PCTB02312-S	CONDUIT	153.8	1.2357
PCTB02283 0.0130	PCTB02283	PCTB02282	CONDUIT	36.7	0.4357
PCTB02283-S 0.0140	PCTB02283-S	PCTB02282-S	CONDUIT	36.7	-6.2212
PCTB02284 0.0150	PCTB02284	PCTB02283	CONDUIT	58.2	0.5846

Future Conditions (10-Year)

PCTB02284-S 0.0140	PCTB02284-S	PCTB02283-S	CONDUIT	58.2	0.5330
PCTB02292 0.0200	PCTB02292	PCTB02294	CONDUIT	1086.7	0.0304
PCTB02294 0.0150	PCTB02294	PCTB02295	CONDUIT	39.6	1.0848
PCTB02294-S 0.0140	PCTB02294-S	PCTB02295-S	CONDUIT	39.6	1.0848
PCTB02295 0.0200	PCTB02295	PCTB02191_DS	CONDUIT	168.6	0.0237
PCTB02297 0.0130	PCTB02297	PCTB02281	CONDUIT	495.7	0.2522
PCTB02297-S 0.0140	PCTB02297-S	PCTB02281-S	CONDUIT	495.7	0.1089
PCTB02299 0.0100	PCTB02220	PCTB02160	CONDUIT	412.9	0.1361
PCTB02300 0.0100	PCTB02229	PCTB02220	CONDUIT	240.9	0.1362
PCTB02301 0.0100	PCTB02235	PCTB02231	CONDUIT	830.0	0.0904
PCTB02302 0.0200	PCTB02302	PCTB02312	CONDUIT	219.7	0.0410
PCTB02303 0.0150	PCTB02303	PCTB02302	CONDUIT	44.3	-0.4742
PCTB02303-S 0.0140	PCTB02303-S	PCTB02302-S	CONDUIT	44.3	4.3165
PCTB02304 0.0150	PCTB02304	PCTB02303	CONDUIT	18.8	1.2753
PCTB02304-S 0.0140	PCTB02304-S	PCTB02303-S	CONDUIT	18.8	-8.8012
PCTB02312 0.0200	PCTB02312	PCTB02292	CONDUIT	351.4	0.0711
PCTB02329 0.0150	PCTB02330	PCTB02329	CONDUIT	167.7	0.0835
PCTB02329-S 0.0140	PCTB02330-S	PCTB02329-S	CONDUIT	167.7	0.7096
PCTB02330 0.0150	PCTB02331	PCTB02330	CONDUIT	65.3	-0.1225
PCTB02330-S 0.0140	PCTB02331-S	PCTB02330-S	CONDUIT	65.3	-0.5821
PCTB02331 0.0150	PCTB02332	PCTB02331	CONDUIT	189.0	-0.0106
PCTB02331-S 0.0140	PCTB02332-S	PCTB02331-S	CONDUIT	189.0	0.3334
TRMB02002 0.0150	TRMB02002	TRMB02001	CONDUIT	187.6	3.1488
TRMB02003 0.0150	TRMB02003	TRMB02002	CONDUIT	35.5	-7.5532
TRMB02003-S 0.0140	TRMB02003-S	TRMB02002-S	CONDUIT	35.5	-10.2939
TRMB02006 0.0150	TRMB02006	TRMB02003	CONDUIT	394.8	1.4488
TRMB02006-S 0.0140	TRMB02006-S	TRMB02003-S	CONDUIT	394.8	1.3475
TRMB02009 0.0150	TRMB02009	TRMB02006	CONDUIT	238.7	3.6346
TRMB02009-S 0.0140	TRMB02009-S	TRMB02006-S	CONDUIT	238.7	3.7395
TRMB02012 0.0150	TRMB02012	TRMB02009	CONDUIT	204.7	1.0895
TRMB02012-S 0.0140	TRMB02012-S	TRMB02009-S	CONDUIT	204.7	-0.0098

Future Conditions (10-Year)

TRMB02015 0.0150	TRMB02015	TRMB02012	CONDUIT	183.9	0.8427
TRMB02015-S 0.0140	TRMB02015-S	TRMB02012-S	CONDUIT	183.9	-0.9026
TRMB02016 0.0150	TRMB02016	TRMB02015	CONDUIT	25.8	0.3495
TRMB02016-S 0.0140	TRMB02016-S	TRMB02015-S	CONDUIT	25.8	0.3107
TRMB02018 0.0150	TRMB02018	TRMB02016	CONDUIT	348.9	0.5073
TRMB02018-S 0.0140	TRMB02018-S	TRMB02016-S	CONDUIT	348.9	0.9860
TRMB02022 0.0150	TRMB02022	TRMB02018	CONDUIT	221.7	0.3924
TRMB02022-S 0.0140	TRMB02022-S	TRMB02018-S	CONDUIT	221.7	-0.0451
TRMB02023 0.0130	TRMB02023	TRMB02022	CONDUIT	245.0	0.9144
TRMB02023-S 0.0140	TRMB02023-S	TRMB02022-S	CONDUIT	245.0	0.2572
TRMB02030 0.0150	TRMB02030	TRMB02023	CONDUIT	74.7	1.2057
TRMB02030-S 0.0140	TRMB02030-S	TRMB02023-S	CONDUIT	74.7	0.0402
TRMB02032 0.0130	TRMB02032	TRMB02030	CONDUIT	276.7	0.7662
TRMB02032-S 0.0140	TRMB02032-S	TRMB02030-S	CONDUIT	276.7	1.6120
TRMB02033 0.0130	TRMB02033	TRMB02032	CONDUIT	31.2	2.4984
TRMB02033-S 0.0140	TRMB02033-S	TRMB02032-S	CONDUIT	31.2	0.1921
TRMB02034 0.0130	TRMB02034	TRMB02033	CONDUIT	61.5	1.8362
TRMB02034-S 0.0140	TRMB02034-S	TRMB02033-S	CONDUIT	61.5	0.9586
TRMB02035 0.0130	TRMB02035	TRMB02034	CONDUIT	146.7	2.2293
TRMB02035-S 0.0140	TRMB02035-S	TRMB02034-S	CONDUIT	146.7	1.3701
TRMB02044_1 0.0150	TRMB02044	TRMB02044_DS	CONDUIT	531.7	1.2696
TRMB02044_1-S 0.0140	TRMB02044-S	TRMB02044_DS-S	CONDUIT	531.7	0.7674
TRMB02044_2 0.0150	TRMB02044_DS	TRMB02022	CONDUIT	437.6	0.0845
TRMB02044_2-S 0.0140	TRMB02044_DS-S	TRMB02022-S	CONDUIT	437.6	1.0192
TRMB02045 0.0150	TRMB02045	TRMB02044	CONDUIT	24.4	-0.4910
TRMB02045-S 0.0140	TRMB02045-S	TRMB02044-S	CONDUIT	24.4	-1.4732
TRMB02046 0.0130	TRMB02046	TRMB02045	CONDUIT	16.0	14.2309
TRMB02046-S 0.0140	TRMB02046-S	TRMB02045-S	CONDUIT	16.0	-0.6888
TRMB02047 0.0130	TRMB02047	TRMB02046	CONDUIT	36.1	3.2158
TRMB02047-S 0.0140	TRMB02047-S	TRMB02046-S	CONDUIT	36.1	0.3602
TRMB02048 0.0130	TRMB02048	TRMB02047	CONDUIT	111.5	1.5968

Future Conditions (10-Year)

TRMB02048-S 0.0140	TRMB02048-S	TRMB02047-S	CONDUIT	111.5	2.2339
TRMB02049 0.0130	TRMB02049	TRMB02048	CONDUIT	38.1	1.5237
TRMB02049-S 0.0140	TRMB02049-S	TRMB02048-S	CONDUIT	38.1	0.2364
TRMB02050 0.0150	TRMB02050	TRMB02045	CONDUIT	62.2	0.1446
TRMB02050-S 0.0140	TRMB02050-S	TRMB02045-S	CONDUIT	62.2	-1.1573
TRMB02051 0.0150	TRMB02051	TRMB02050	CONDUIT	153.6	0.1432
TRMB02051-S 0.0140	TRMB02051-S	TRMB02050-S	CONDUIT	153.6	-0.7292
TRMB02052 0.0130	TRMB02052	TRMB02051	CONDUIT	20.4	0.7840
TRMB02052-S 0.0140	TRMB02052-S	TRMB02051-S	CONDUIT	20.4	-0.4900
TRMB02056 0.0130	TRMB02056	TRMB02052	CONDUIT	20.4	0.7824
TRMB02056-S 0.0140	TRMB02056-S	TRMB02052-S	CONDUIT	20.4	1.9564
TRMB02057 0.0130	TRMB02057	TRMB02056	CONDUIT	17.6	0.7391
TRMB02057-S 0.0140	TRMB02057-S	TRMB02056-S	CONDUIT	17.6	0.7959
TRMB02060 0.0150	TRMB02060	TRMB02057	CONDUIT	295.1	0.9352
TRMB02060-S 0.0140	TRMB02060-S	TRMB02057-S	CONDUIT	295.1	1.9994
TRMB02063 0.0130	TRMB02063	TRMB02060	CONDUIT	222.3	2.6419
TRMB02063-S 0.0140	TRMB02063-S	TRMB02060-S	CONDUIT	222.3	1.0933
TRMB02064 0.0130	TRMB02064	TRMB02063	CONDUIT	125.5	0.6935
TRMB02064-S 0.0140	TRMB02064-S	TRMB02063-S	CONDUIT	125.5	0.7094
TRMB02067 0.0130	TRMB02067	TRMB02064	CONDUIT	117.7	0.1869
TRMB02067-S 0.0140	TRMB02067-S	TRMB02064-S	CONDUIT	117.7	1.3935
TRMB02068 0.0130	TRMB02068	TRMB02067	CONDUIT	181.4	0.4741
TRMB02068-S 0.0140	TRMB02068-S	TRMB02067-S	CONDUIT	181.4	1.3563
TRMB02069 0.0130	TRMB02069	TRMB02068	CONDUIT	44.4	1.0140
TRMB02069-S 0.0140	TRMB02069-S	TRMB02068-S	CONDUIT	44.4	1.6676
TRMB02070 0.0130	TRMB02070	TRMB02069	CONDUIT	35.3	0.4249
TRMB02070-S 0.0140	TRMB02070-S	TRMB02069-S	CONDUIT	35.3	0.5666
TRMB03016 0.0150	TRMB03016	TRMB03012	CONDUIT	44.3	1.7151
TRMB03022 0.0160	TRMB03022	TRMB03016	CONDUIT	145.8	1.3442
TRMB03025 0.0150	TRMB03025	TRMB03022	CONDUIT	55.0	5.2628
TRMB03025-S 0.0140	TRMB03025-S	TRMB03022-S	CONDUIT	55.0	12.8713

Future Conditions (10-Year)

TRMB03026 0.0150	TRMB03026	TRMB03022	CONDUIT	14.1	24.1547
TRMB03027 0.0130	TRMB03027	TRMB03026	CONDUIT	31.1	1.0930
TRMB03028 0.0150	TRMB03028	TRMB03025	CONDUIT	19.2	-0.0520
TRMB03028-S 0.0140	TRMB03028-S	TRMB03025-S	CONDUIT	19.2	2.6010
TRMB03029 0.0130	TRMB03029	TRMB03028	CONDUIT	87.0	1.1494
TRMB03029-S 0.0140	TRMB03029-S	TRMB03028-S	CONDUIT	87.0	-1.1034
TRMB03030 0.0150	TRMB03030	TRMB03029	CONDUIT	90.4	1.2173
TRMB03030-S 0.0140	TRMB03030-S	TRMB03029-S	CONDUIT	90.4	0.9074
TRMB03031 0.0150	TRMB03031	TRMB03030	CONDUIT	235.9	1.2676
TRMB03032 0.0150	TRMB03032	TRMB03031	CONDUIT	327.8	1.0342
TRMB03032-S 0.0140	TRMB03032-S	TRMB03031-S	CONDUIT	327.8	0.7748
TRMB03033 0.0130	TRMB03033	TRMB03034	CONDUIT	7.3	2.6072
TRMB03033-S 0.0140	TRMB03033-S	TRMB03034-S	CONDUIT	7.3	-2.0580
TRMB03034 0.0150	TRMB03034	TRMB03036	CONDUIT	135.6	4.1413
TRMB03034-S 0.0140	TRMB03034-S	TRMB03036-S	CONDUIT	135.6	0.7966
TRMB03035 0.0130	TRMB03035	TRMB03036	CONDUIT	5.8	100.5103
TRMB03035-S 0.0140	TRMB03035-S	TRMB03036-S	CONDUIT	5.8	0.0171
TRMB03036 0.0130	TRMB03036	TRMB03032	CONDUIT	133.5	0.3522
TRMB03036-S 0.0140	TRMB03036-S	TRMB03032-S	CONDUIT	133.5	0.4945
TRMB03037 0.0130	TRMB03037	TRMB03034	CONDUIT	32.3	1.2714
TRMB03037-S 0.0140	TRMB03037-S	TRMB03034-S	CONDUIT	32.3	0.9613
TRMB03038 0.0130	TRMB03038	TRMB03036	CONDUIT	33.1	14.6876
TRMB03038-S 0.0140	TRMB03038-S	TRMB03036-S	CONDUIT	33.1	3.3856
TRMB03039 0.0130	TRMB03039	TRMB03036	CONDUIT	148.0	1.0878
TRMB03039-S 0.0140	TRMB03039-S	TRMB03036-S	CONDUIT	148.0	0.4189
TRMB03042 0.0130	TRMB03042	TRMB03039	CONDUIT	395.7	3.1758
TRMB03042-S 0.0140	TRMB03042-S	TRMB03039-S	CONDUIT	395.7	2.7228
TRMB03043 0.0130	TRMB03043	TRMB03039	CONDUIT	263.2	0.3724
TRMB03043-S 0.0140	TRMB03043-S	TRMB03039-S	CONDUIT	263.2	-0.4978
TRMB03044 0.0150	TRMB03044	TRMB03039	CONDUIT	112.7	1.8462
TRMB03044-S 0.0140	TRMB03044-S	TRMB03039-S	CONDUIT	112.7	-1.2070

Future Conditions (10-Year)

TRMB03049 0.0150	TRMB03049	TRMB03043	CONDUIT	15.6	2.7557
TRMB03049-S 0.0140	TRMB03049-S	TRMB03043-S	CONDUIT	15.6	4.0392
TRMB03051 0.0130	TRMB03051	TRMB03043	CONDUIT	18.3	5.5245
TRMB03051-S 0.0140	TRMB03051-S	TRMB03043-S	CONDUIT	18.3	-2.4584
TRMB03052 0.0130	TRMB03052	TRMB03051	CONDUIT	28.9	5.8864
TRMB03052-S 0.0140	TRMB03052-S	TRMB03051-S	CONDUIT	28.9	0.7605
TRMB03054 0.0130	TRMB03054	TRMB03051	CONDUIT	185.4	0.0593
TRMB03054-S 0.0140	TRMB03054-S	TRMB03051-S	CONDUIT	185.4	0.1241
TRMB03055 0.0130	TRMB03055	TRMB03051	CONDUIT	225.6	0.0754
TRMB03055-S 0.0140	TRMB03055-S	TRMB03051-S	CONDUIT	225.6	0.0355
TRMB03063 0.0130	TRMB03063	TRMB03054	CONDUIT	249.0	1.0282
TRMB03063-S 0.0140	TRMB03063-S	TRMB03054-S	CONDUIT	249.0	1.0844
TRMB03065 0.0150	TRMB03065	TRMB03066	CONDUIT	145.2	1.7432
TRMB03067 0.0130	TRMB03067	TRMB03065	CONDUIT	65.2	24.6749
TRMB03067-S 0.0140	TRMB03067-S	TRMB03065-S	CONDUIT	65.2	10.2592
TRMB03068 0.0150	TRMB03068	TRMB03069	CONDUIT	18.3	7.8555
TRMB03068-S 0.0140	TRMB03068-S	TRMB03069-S	CONDUIT	18.3	6.3104
TRMB03069 0.0150	TRMB03069	TRMB03065	CONDUIT	41.7	2.0878
TRMB03069-S 0.0140	TRMB03069-S	TRMB03065-S	CONDUIT	41.7	0.5518
TRMB03070 0.0150	TRMB03070	TRMB03069	CONDUIT	59.6	1.9786
TRMB03070-S 0.0140	TRMB03070-S	TRMB03069-S	CONDUIT	59.6	-0.1509
TRMB03072 0.0150	TRMB03072	TRMB03070	CONDUIT	122.0	3.6080
TRMB03072-S 0.0140	TRMB03072-S	TRMB03070-S	CONDUIT	122.0	3.2468
TRMB03073 0.0150	TRMB03073	TRMB03070	CONDUIT	116.3	10.3578
TRMB03073-S 0.0140	TRMB03073-S	TRMB03070-S	CONDUIT	116.3	4.5196
TRMB03083 0.0130	TRMB03083	TRMB03072	CONDUIT	29.0	2.7559
TRMB03083-S 0.0140	TRMB03083-S	TRMB03072-S	CONDUIT	29.0	1.7909
TRMB03084 0.0150	TRMB03084	TRMB03072	CONDUIT	6.8	0.2941
TRMB03084-S 0.0140	TRMB03084-S	TRMB03072-S	CONDUIT	6.8	-2.2064
TRMB03087 0.0130	TRMB03087	TRMB03083	CONDUIT	106.8	0.1123
TRMB03087-S 0.0140	TRMB03087-S	TRMB03083-S	CONDUIT	106.8	-2.1999

Future Conditions (10-Year)

TRMB03088 0.0150	TRMB03088	TRMB03087	CONDUIT	586.4	1.9854
TRMB03088-S 0.0140	TRMB03088-S	TRMB03087-S	CONDUIT	586.4	2.3164
TRMB03089 0.0130	TRMB03089	TRMB03088	CONDUIT	39.9	2.5071
TRMB03089-S 0.0140	TRMB03089-S	TRMB03088-S	CONDUIT	39.9	-0.0752
TRMB03090 0.0130	TRMB03090	TRMB03089	CONDUIT	14.6	-1.2304
TRMB03090-S 0.0140	TRMB03090-S	TRMB03089-S	CONDUIT	14.6	-6.0259
TRMB03091 0.0150	TRMB03091	TRMB03090	CONDUIT	209.3	1.9501
TRMB03091-S 0.0140	TRMB03091-S	TRMB03090-S	CONDUIT	209.3	2.3327
TRMB03092 0.0130	TRMB03092	TRMB03090	CONDUIT	117.8	6.3962
TRMB03092-S 0.0140	TRMB03092-S	TRMB03090-S	CONDUIT	117.8	2.3179
TRMB03094 0.0150	TRMB03094	TRMB03091	CONDUIT	103.8	1.5906
TRMB03094-S 0.0140	TRMB03094-S	TRMB03091-S	CONDUIT	103.8	1.0603
TRMB03095 0.0150	TRMB03095	TRMB03094	CONDUIT	9.0	49.2696
TRMB03095-S 0.0140	TRMB03095-S	TRMB03094-S	CONDUIT	9.0	0.0112
TRMB03096 0.0150	TRMB03096	TRMB03094	CONDUIT	25.1	0.2388
TRMB03096-S 0.0140	TRMB03096-S	TRMB03094-S	CONDUIT	25.1	5.7396
TRMB03097 0.0130	TRMB03097	TRMB03094	CONDUIT	110.6	5.6782
TRMB03097-S 0.0140	TRMB03097-S	TRMB03094-S	CONDUIT	110.6	4.8520
TRMB03101 0.0130	TRMB03101	TRMB03096	CONDUIT	10.9	43.7634
TRMB03101-S 0.0140	TRMB03101-S	TRMB03096-S	CONDUIT	10.9	7.7652
TRMB03102 0.0150	TRMB03102	TRMB03096	CONDUIT	47.8	2.3432
TRMB03102-S 0.0140	TRMB03102-S	TRMB03096-S	CONDUIT	47.8	2.7620
TRMB03103 0.0150	TRMB03103	TRMB03102	CONDUIT	95.9	3.9020
TRMB03103-S 0.0140	TRMB03103-S	TRMB03102-S	CONDUIT	95.9	3.5051
TRMB03111 0.0130	TRMB03111	TRMB03103	CONDUIT	73.5	2.9825
TRMB03111-S 0.0140	TRMB03111-S	TRMB03103-S	CONDUIT	73.5	1.6201
TRMB03132 0.0150	TRMB03132	TRMB03084	CONDUIT	148.8	2.6890
TRMB03132-S 0.0140	TRMB03132-S	TRMB03084-S	CONDUIT	148.8	3.8467
TRMB04089_1 0.0150	TRMB04089	TRMB05017_US	CONDUIT	303.9	0.2929
TRMB04089_1-S 0.0140	TRMB04089-S	TRMB05017_US-S	CONDUIT	303.9	0.8556
TRMB04089_2 0.0150	TRMB05017_US	TRMB05017	CONDUIT	292.1	0.2910

Future Conditions (10-Year)

TRMB04089_2-S 0.0140	TRMB05017_US-S	TRMB05017-S	CONDUIT	292.1	0.8525
TRMB05002 0.0150	TRMB05002	TRMB05001	CONDUIT	48.8	31.3024
TRMB05003 0.0150	TRMB05003	TRMB05002	CONDUIT	84.0	1.4636
TRMB05003-S 0.0140	TRMB05003-S	TRMB05002-S	CONDUIT	84.0	3.9054
TRMB05004 0.0130	TRMB05004	TRMB05003	CONDUIT	5.4	1.4735
TRMB05004-S 0.0140	TRMB05004-S	TRMB05003-S	CONDUIT	5.4	-13.5670
TRMB05005 0.0130	TRMB05005	TRMB05003	CONDUIT	23.4	2.4773
TRMB05005-S 0.0140	TRMB05005-S	TRMB05003-S	CONDUIT	23.4	3.9313
TRMB05006 0.0150	TRMB05006	TRMB05003	CONDUIT	254.7	0.5262
TRMB05006-S 0.0140	TRMB05006-S	TRMB05003-S	CONDUIT	254.7	0.8403
TRMB05008 0.0130	TRMB05008	TRMB05006	CONDUIT	143.5	2.0350
TRMB05008-S 0.0140	TRMB05008-S	TRMB05006-S	CONDUIT	143.5	-1.2403
TRMB05009_1 0.0150	TRMB05009	TRMB05009_DS	CONDUIT	111.0	1.0629
TRMB05009_1-S 0.0140	TRMB05009-S	TRMB05009_DS-S	CONDUIT	111.0	0.5314
TRMB05009_2 0.0150	TRMB05009_DS	TRMB05006	CONDUIT	288.9	1.0628
TRMB05009_2-S 0.0140	TRMB05009_DS-S	TRMB05006-S	CONDUIT	288.9	0.5400
TRMB05010 0.0130	TRMB05010	TRMB05006	CONDUIT	27.1	20.4438
TRMB05010-S 0.0140	TRMB05010-S	TRMB05006-S	CONDUIT	27.1	-0.4804
TRMB05011 0.0130	TRMB05011	TRMB05010	CONDUIT	23.6	3.0986
TRMB05011-S 0.0140	TRMB05011-S	TRMB05010-S	CONDUIT	23.6	2.4615
TRMB05012 0.0130	TRMB05012	TRMB05011	CONDUIT	28.8	-0.3467
TRMB05012-S 0.0140	TRMB05012-S	TRMB05011-S	CONDUIT	28.8	-0.3467
TRMB05013 0.0130	TRMB05013	TRMB05009	CONDUIT	5.1	121.2552
TRMB05013-S 0.0140	TRMB05013-S	TRMB05009-S	CONDUIT	5.1	-8.8232
TRMB05014 0.0130	TRMB05014	TRMB05009	CONDUIT	16.2	22.7773
TRMB05014-S 0.0140	TRMB05014-S	TRMB05009-S	CONDUIT	16.2	-1.8510
TRMB05015 0.0150	TRMB05015	TRMB05009	CONDUIT	253.6	0.4101
TRMB05015-S 0.0140	TRMB05015-S	TRMB05009-S	CONDUIT	253.6	1.2384
TRMB05016 0.0130	TRMB05016	TRMB05015	CONDUIT	21.9	20.2672
TRMB05016-S 0.0140	TRMB05016-S	TRMB05015-S	CONDUIT	21.9	-1.0935
TRMB05017 0.0150	TRMB05017	TRMB05015	CONDUIT	51.2	0.3517

Future Conditions (10-Year)

TRMB05017-S 0.0140	TRMB05017-S	TRMB05015-S	CONDUIT	51.2	2.0129
TRMB05018 0.0150	TRMB05018	TRMB05015	CONDUIT	19.6	22.4197
TRMB05018-S 0.0140	TRMB05018-S	TRMB05015-S	CONDUIT	19.6	-0.8159
TRMB05019 0.0130	TRMB05019	TRMB05016	CONDUIT	9.6	2.1835
TRMB05019-S 0.0140	TRMB05019-S	TRMB05016-S	CONDUIT	9.6	-3.0159
TRMB05020 0.0150	TRMB05020	TRMB05016	CONDUIT	17.5	2.1172
TRMB05020-S 0.0140	TRMB05020-S	TRMB05016-S	CONDUIT	17.5	-0.7437
TRMB05021 0.0130	TRMB05021	TRMB05019	CONDUIT	115.6	0.7354
TRMB05021-S 0.0140	TRMB05021-S	TRMB05019-S	CONDUIT	115.6	0.4759
TRMB05022 0.0150	TRMB05022	TRMB05018	CONDUIT	11.0	-2.1843
TRMB05022-S 0.0140	TRMB05022-S	TRMB05018-S	CONDUIT	11.0	-0.8190
TRMB05023 0.0150	TRMB05023	TRMB05022	CONDUIT	232.1	0.5645
TRMB05023-S 0.0140	TRMB05023-S	TRMB05022-S	CONDUIT	232.1	-1.2886
TRMB05025 0.0130	TRMB05025	TRMB05017	CONDUIT	10.8	84.3531
TRMB05025-S 0.0140	TRMB05025-S	TRMB05017-S	CONDUIT	10.8	-4.4447
TRMB05026 0.0130	TRMB05026	TRMB05043	CONDUIT	20.4	18.3123
TRMB05026-S 0.0140	TRMB05026-S	TRMB05043-S	CONDUIT	20.4	-0.7832
TRMB05027 0.0130	TRMB05027	TRMB05017	CONDUIT	13.0	57.3219
TRMB05027-S 0.0140	TRMB05027-S	TRMB05017-S	CONDUIT	13.0	-7.2441
TRMB05028 0.0130	TRMB05028	TRMB05021	CONDUIT	100.2	0.4692
TRMB05028-S 0.0140	TRMB05028-S	TRMB05021-S	CONDUIT	100.2	0.7687
TRMB05029 0.0130	TRMB05029	TRMB05021	CONDUIT	21.5	0.6964
TRMB05029-S 0.0140	TRMB05029-S	TRMB05021-S	CONDUIT	21.5	0.6964
TRMB05030 0.0130	TRMB05030	TRMB05028	CONDUIT	17.0	2.9355
TRMB05030-S 0.0140	TRMB05030-S	TRMB05028-S	CONDUIT	17.0	-1.4673
TRMB05031 0.0130	TRMB05031	TRMB05028	CONDUIT	37.1	3.6643
TRMB05031-S 0.0140	TRMB05031-S	TRMB05028-S	CONDUIT	37.1	-0.3231
TRMB05032 0.0130	TRMB05032	TRMB05028	CONDUIT	38.7	2.6359
TRMB05032-S 0.0140	TRMB05032-S	TRMB05028-S	CONDUIT	38.7	-0.2067
TRMB05033 0.0130	TRMB05033	TRMB05030	CONDUIT	21.9	0.0046
TRMB05033-S 0.0140	TRMB05033-S	TRMB05030-S	CONDUIT	21.9	0.0046

Future Conditions (10-Year)

TRMB05034 0.0130	TRMB05034	TRMB05032	CONDUIT	21.7	0.6903
TRMB05034-S 0.0140	TRMB05034-S	TRMB05032-S	CONDUIT	21.7	0.6903
TRMB05035 0.0150	TRMB05035	TRMB05040	CONDUIT	16.2	24.8548
TRMB05035-S 0.0140	TRMB05035-S	TRMB05040-S	CONDUIT	16.2	-0.2468
TRMB05036 0.0130	TRMB05036	TRMB05035	CONDUIT	42.8	0.9344
TRMB05036-S 0.0140	TRMB05036-S	TRMB05035-S	CONDUIT	42.8	-0.8176
TRMB05037 0.0130	TRMB05037	TRMB05036	CONDUIT	21.3	3.9994
TRMB05037-S 0.0140	TRMB05037-S	TRMB05036-S	CONDUIT	21.3	0.9403
TRMB05038 0.0130	TRMB05038	TRMB05035	CONDUIT	41.3	1.4522
TRMB05038-S 0.0140	TRMB05038-S	TRMB05035-S	CONDUIT	41.3	-0.3630
TRMB05039 0.0130	TRMB05039	TRMB05038	CONDUIT	25.0	0.5993
TRMB05039-S 0.0140	TRMB05039-S	TRMB05038-S	CONDUIT	25.0	-0.7192
TRMB05040 0.0150	TRMB05040	TRMB05041	CONDUIT	280.1	0.6927
TRMB05040-S 0.0140	TRMB05040-S	TRMB05041-S	CONDUIT	280.1	1.2997
TRMB05041 0.0150	TRMB05041	TRMB05045	CONDUIT	31.1	0.7074
TRMB05041-S 0.0140	TRMB05041-S	TRMB05045-S	CONDUIT	31.1	-0.7396
TRMB05042 0.0130	TRMB05042	TRMB05026	CONDUIT	27.0	-1.3335
TRMB05042-S 0.0140	TRMB05042-S	TRMB05026-S	CONDUIT	27.0	-1.3335
TRMB05044 0.0130	TRMB05044	TRMB05045	CONDUIT	116.6	0.7635
TRMB05044-S 0.0140	TRMB05044-S	TRMB05045-S	CONDUIT	116.6	-1.1668
TRMB05045 0.0150	TRMB05045	TRMB05046	CONDUIT	298.8	1.1414
TRMB05045-S 0.0140	TRMB05045-S	TRMB05046-S	CONDUIT	298.8	1.6101
TRMB05046 0.0150	TRMB05046	TRMB05048	CONDUIT	11.9	3.7779
TRMB05046-S 0.0140	TRMB05046-S	TRMB05048-S	CONDUIT	11.9	-5.1242
TRMB05048 0.0150	TRMB05048	TRMB05047	CONDUIT	34.7	3.7512
CountrySideE_Ditch_Culvert_In-IC CountrySideE_Ditch_Culvert_In-S					
CountrySideE_Ditch_Culvert_In OUTLET					
JMTB01003-IC	JMTB01003-S	JMTB01003	OUTLET		
JMTB01004-IC	JMTB01004-S	JMTB01004	OUTLET		
JMTB01005-IC	JMTB01005-S	JMTB01005	OUTLET		
JMTB01006-IC	JMTB01006-S	JMTB01006	OUTLET		
JMTB01102-IC	JMTB01102-S	JMTB01102	OUTLET		
JMTB01103-IC	JMTB01103-S	JMTB01103	OUTLET		
JMTB01104-IC	JMTB01104-S	JMTB01104	OUTLET		
JMTB01105-IC	JMTB01105-S	JMTB01105	OUTLET		
PCTB01068_US-IC	PCTB01068_US-S	PCTB01068_US	OUTLET		
PCTB01068-IC	PCTB01068-S	PCTB01068	OUTLET		

Future Conditions (10-Year)

PCTB02001-IC	PCTB02001-S	PCTB02001	OUTLET
PCTB02002-IC	PCTB02002-S	PCTB02002	OUTLET
PCTB02003-IC	PCTB02003-S	PCTB02003	OUTLET
PCTB02004-IC	PCTB02004-S	PCTB02004	OUTLET
PCTB02011-IC	PCTB02011-S	PCTB02011	OUTLET
PCTB02012-IC	PCTB02012-S	PCTB02012	OUTLET
PCTB02014-IC	PCTB02014-S	PCTB02014	OUTLET
PCTB02015-IC	PCTB02015-S	PCTB02015	OUTLET
PCTB02016-IC	PCTB02016-S	PCTB02016	OUTLET
PCTB02017-IC	PCTB02017-S	PCTB02017	OUTLET
PCTB02022-IC	PCTB02022-S	PCTB02022	OUTLET
PCTB02023-IC	PCTB02023-S	PCTB02023	OUTLET
PCTB02189-IC	PCTB02189-S	PCTB02189	OUTLET
PCTB02191_DS-IC	PCTB02191_DS-S	PCTB02191_DS	OUTLET
PCTB02191-IC	PCTB02191-S	PCTB02191	OUTLET
PCTB02207-IC	PCTB02207-S	PCTB02207	OUTLET
PCTB02209-IC	PCTB02209-S	PCTB02209	OUTLET
PCTB02229-IC	PCTB02229-S	PCTB02229	OUTLET
PCTB02231-IC	PCTB02231-S	PCTB02231	OUTLET
PCTB02235-IC	PCTB02235-S	PCTB02235	OUTLET
PCTB02237-IC	PCTB02237-S	PCTB02237	OUTLET
PCTB02257_1-IC	PCTB02257_1-S	PCTB02257_1	OUTLET
PCTB02257-IC	PCTB02257-S	PCTB02257	OUTLET
PCTB02260-IC	PCTB02260-S	PCTB02260	OUTLET
PCTB02262-IC	PCTB02262-S	PCTB02262	OUTLET
PCTB02275-IC	PCTB02275-S	PCTB02275	OUTLET
PCTB02276-IC	PCTB02276-S	PCTB02276	OUTLET
PCTB02278-IC	PCTB02278-S	PCTB02278	OUTLET
PCTB02280-IC	PCTB02280-S	PCTB02280	OUTLET
PCTB02281-IC	PCTB02281-S	PCTB02281	OUTLET
PCTB02282-IC	PCTB02282-S	PCTB02282	OUTLET
PCTB02283-IC	PCTB02283-S	PCTB02283	OUTLET
PCTB02284-IC	PCTB02284-S	PCTB02284	OUTLET
PCTB02292-IC	PCTB02292-S	PCTB02292	OUTLET
PCTB02294-IC	PCTB02294-S	PCTB02294	OUTLET
PCTB02295-IC	PCTB02295-S	PCTB02295	OUTLET
PCTB02297-IC	PCTB02297-S	PCTB02297	OUTLET
PCTB02302-IC	PCTB02302-S	PCTB02302	OUTLET
PCTB02303-IC	PCTB02303-S	PCTB02303	OUTLET
PCTB02304-IC	PCTB02304-S	PCTB02304	OUTLET
PCTB02312-IC	PCTB02312-S	PCTB02312	OUTLET
PCTB02329-IC	PCTB02329-S	PCTB02329	OUTLET
PCTB02330-IC	PCTB02330-S	PCTB02330	OUTLET
PCTB02331-IC	PCTB02331-S	PCTB02331	OUTLET
PCTB02332-IC	PCTB02332-S	PCTB02332	OUTLET
TRMB02002-IC	TRMB02002-S	TRMB02002	OUTLET
TRMB02003-IC	TRMB02003-S	TRMB02003	OUTLET
TRMB02006-IC	TRMB02006-S	TRMB02006	OUTLET
TRMB02009-IC	TRMB02009-S	TRMB02009	OUTLET
TRMB02012-IC	TRMB02012-S	TRMB02012	OUTLET
TRMB02015-IC	TRMB02015-S	TRMB02015	OUTLET
TRMB02016-IC	TRMB02016-S	TRMB02016	OUTLET
TRMB02018-IC	TRMB02018-S	TRMB02018	OUTLET
TRMB02022-IC	TRMB02022-S	TRMB02022	OUTLET
TRMB02023-IC	TRMB02023-S	TRMB02023	OUTLET
TRMB02030-IC	TRMB02030-S	TRMB02030	OUTLET
TRMB02032-IC	TRMB02032-S	TRMB02032	OUTLET
TRMB02033-IC	TRMB02033-S	TRMB02033	OUTLET
TRMB02034-IC	TRMB02034-S	TRMB02034	OUTLET
TRMB02035-IC	TRMB02035-S	TRMB02035	OUTLET
TRMB02044_DS-IC	TRMB02044_DS-S	TRMB02044_DS	OUTLET
TRMB02044-IC	TRMB02044-S	TRMB02044	OUTLET

Future Conditions (10-Year)

TRMB02045-IC	TRMB02045-S	TRMB02045	OUTLET
TRMB02046-IC	TRMB02046-S	TRMB02046	OUTLET
TRMB02047-IC	TRMB02047-S	TRMB02047	OUTLET
TRMB02048-IC	TRMB02048-S	TRMB02048	OUTLET
TRMB02049-IC	TRMB02049-S	TRMB02049	OUTLET
TRMB02050-IC	TRMB02050-S	TRMB02050	OUTLET
TRMB02051-IC	TRMB02051-S	TRMB02051	OUTLET
TRMB02052-IC	TRMB02052-S	TRMB02052	OUTLET
TRMB02056-IC	TRMB02056-S	TRMB02056	OUTLET
TRMB02057-IC	TRMB02057-S	TRMB02057	OUTLET
TRMB02060-IC	TRMB02060-S	TRMB02060	OUTLET
TRMB02063-IC	TRMB02063-S	TRMB02063	OUTLET
TRMB02064-IC	TRMB02064-S	TRMB02064	OUTLET
TRMB02067-IC	TRMB02067-S	TRMB02067	OUTLET
TRMB02068-IC	TRMB02068-S	TRMB02068	OUTLET
TRMB02069-IC	TRMB02069-S	TRMB02069	OUTLET
TRMB02070-IC	TRMB02070-S	TRMB02070	OUTLET
TRMB03016-IC	TRMB03016-S	TRMB03016	OUTLET
TRMB03022-IC	TRMB03022-S	TRMB03022	OUTLET
TRMB03025-IC	TRMB03025-S	TRMB03025	OUTLET
TRMB03028-IC	TRMB03028-S	TRMB03028	OUTLET
TRMB03029-IC	TRMB03029-S	TRMB03029	OUTLET
TRMB03030-IC	TRMB03030-S	TRMB03030	OUTLET
TRMB03031-IC	TRMB03031-S	TRMB03031	OUTLET
TRMB03032-IC	TRMB03032-S	TRMB03032	OUTLET
TRMB03033-IC	TRMB03033-S	TRMB03033	OUTLET
TRMB03034-IC	TRMB03034-S	TRMB03034	OUTLET
TRMB03035-IC	TRMB03035-S	TRMB03035	OUTLET
TRMB03036-IC	TRMB03036-S	TRMB03036	OUTLET
TRMB03037-IC	TRMB03037-S	TRMB03037	OUTLET
TRMB03038-IC	TRMB03038-S	TRMB03038	OUTLET
TRMB03039-IC	TRMB03039-S	TRMB03039	OUTLET
TRMB03042-IC	TRMB03042-S	TRMB03042	OUTLET
TRMB03043-IC	TRMB03043-S	TRMB03043	OUTLET
TRMB03044-IC	TRMB03044-S	TRMB03044	OUTLET
TRMB03049-IC	TRMB03049-S	TRMB03049	OUTLET
TRMB03051-IC	TRMB03051-S	TRMB03051	OUTLET
TRMB03052-IC	TRMB03052-S	TRMB03052	OUTLET
TRMB03054-IC	TRMB03054-S	TRMB03054	OUTLET
TRMB03055-IC	TRMB03055-S	TRMB03055	OUTLET
TRMB03063-IC	TRMB03063-S	TRMB03063	OUTLET
TRMB03065-IC	TRMB03065-S	TRMB03065	OUTLET
TRMB03067-IC	TRMB03067-S	TRMB03067	OUTLET
TRMB03068-IC	TRMB03068-S	TRMB03068	OUTLET
TRMB03069-IC	TRMB03069-S	TRMB03069	OUTLET
TRMB03070-IC	TRMB03070-S	TRMB03070	OUTLET
TRMB03072-IC	TRMB03072-S	TRMB03072	OUTLET
TRMB03073-IC	TRMB03073-S	TRMB03073	OUTLET
TRMB03083-IC	TRMB03083-S	TRMB03083	OUTLET
TRMB03084-IC	TRMB03084-S	TRMB03084	OUTLET
TRMB03087-IC	TRMB03087-S	TRMB03087	OUTLET
TRMB03088-IC	TRMB03088-S	TRMB03088	OUTLET
TRMB03089-IC	TRMB03089-S	TRMB03089	OUTLET
TRMB03090-IC	TRMB03090-S	TRMB03090	OUTLET
TRMB03091-IC	TRMB03091-S	TRMB03091	OUTLET
TRMB03092-IC	TRMB03092-S	TRMB03092	OUTLET
TRMB03094-IC	TRMB03094-S	TRMB03094	OUTLET
TRMB03095-IC	TRMB03095-S	TRMB03095	OUTLET
TRMB03096-IC	TRMB03096-S	TRMB03096	OUTLET
TRMB03097-IC	TRMB03097-S	TRMB03097	OUTLET
TRMB03101-IC	TRMB03101-S	TRMB03101	OUTLET
TRMB03102-IC	TRMB03102-S	TRMB03102	OUTLET

Future Conditions (10-Year)

TRMB03103-IC	TRMB03103-S	TRMB03103	OUTLET
TRMB03111-IC	TRMB03111-S	TRMB03111	OUTLET
TRMB03132-IC	TRMB03132-S	TRMB03132	OUTLET
TRMB04089-IC	TRMB04089-S	TRMB04089	OUTLET
TRMB05002-IC	TRMB05002-S	TRMB05002	OUTLET
TRMB05003-IC	TRMB05003-S	TRMB05003	OUTLET
TRMB05004-IC	TRMB05004-S	TRMB05004	OUTLET
TRMB05005-IC	TRMB05005-S	TRMB05005	OUTLET
TRMB05006-IC	TRMB05006-S	TRMB05006	OUTLET
TRMB05008-IC	TRMB05008-S	TRMB05008	OUTLET
TRMB05009_DS-IC	TRMB05009_DS-S	TRMB05009_DS	OUTLET
TRMB05009-IC	TRMB05009-S	TRMB05009	OUTLET
TRMB05010-IC	TRMB05010-S	TRMB05010	OUTLET
TRMB05011-IC	TRMB05011-S	TRMB05011	OUTLET
TRMB05012-IC	TRMB05012-S	TRMB05012	OUTLET
TRMB05013-IC	TRMB05013-S	TRMB05013	OUTLET
TRMB05014-IC	TRMB05014-S	TRMB05014	OUTLET
TRMB05015-IC	TRMB05015-S	TRMB05015	OUTLET
TRMB05016-IC	TRMB05016-S	TRMB05016	OUTLET
TRMB05017_US-IC	TRMB05017_US-S	TRMB05017_US	OUTLET
TRMB05017-IC	TRMB05017-S	TRMB05017	OUTLET
TRMB05018-IC	TRMB05018-S	TRMB05018	OUTLET
TRMB05019-IC	TRMB05019-S	TRMB05019	OUTLET
TRMB05020-IC	TRMB05020-S	TRMB05020	OUTLET
TRMB05021-IC	TRMB05021-S	TRMB05021	OUTLET
TRMB05022-IC	TRMB05022-S	TRMB05022	OUTLET
TRMB05023-IC	TRMB05023-S	TRMB05023	OUTLET
TRMB05025-IC	TRMB05025-S	TRMB05025	OUTLET
TRMB05026-IC	TRMB05026-S	TRMB05026	OUTLET
TRMB05027-IC	TRMB05027-S	TRMB05027	OUTLET
TRMB05028-IC	TRMB05028-S	TRMB05028	OUTLET
TRMB05029-IC	TRMB05029-S	TRMB05029	OUTLET
TRMB05030-IC	TRMB05030-S	TRMB05030	OUTLET
TRMB05031-IC	TRMB05031-S	TRMB05031	OUTLET
TRMB05032-IC	TRMB05032-S	TRMB05032	OUTLET
TRMB05033-IC	TRMB05033-S	TRMB05033	OUTLET
TRMB05034-IC	TRMB05034-S	TRMB05034	OUTLET
TRMB05035-IC	TRMB05035-S	TRMB05035	OUTLET
TRMB05036-IC	TRMB05036-S	TRMB05036	OUTLET
TRMB05037-IC	TRMB05037-S	TRMB05037	OUTLET
TRMB05038-IC	TRMB05038-S	TRMB05038	OUTLET
TRMB05039-IC	TRMB05039-S	TRMB05039	OUTLET
TRMB05040-IC	TRMB05040-S	TRMB05040	OUTLET
TRMB05041-IC	TRMB05041-S	TRMB05041	OUTLET
TRMB05042-IC	TRMB05042-S	TRMB05042	OUTLET
TRMB05043-IC	TRMB05043-S	TRMB05043	OUTLET
TRMB05044-IC	TRMB05044-S	TRMB05044	OUTLET
TRMB05045-IC	TRMB05045-S	TRMB05045	OUTLET
TRMB05046-IC	TRMB05046-S	TRMB05046	OUTLET
TRMB05048-IC	TRMB05048-S	TRMB05048	OUTLET

Cross Section Summary

Full Conduit Flow	Shape	Full Depth	Full Area	Hyd. Rad.	Max. Width	No. of Barrels
-------------------------	-------	---------------	--------------	--------------	---------------	-------------------

Future Conditions (10-Year)

C1	TRAPEZOIDAL	7.00	161.07	3.76	40.02	1
2231.53						
C14	PARABOLIC	1.50	1.50	0.43	1.50	1
4.99						
C2_1	CIRCULAR	2.50	4.91	0.63	2.50	1
86.08						
C2_1-S	Transect1	0.75	21.13	0.48	55.00	1
272.36						
C2_2	TRAPEZOIDAL	7.50	225.00	4.64	45.00	1
875.98						
C3	Transect1	0.75	21.13	0.48	55.00	1
126.19						
C9	CIRCULAR	1.25	1.23	0.31	1.25	1
23.98						
C9-S	Transect1	0.75	21.13	0.48	55.00	1
516.16						
CountrySideE_Ditch	TRAPEZOIDAL	2.00	8.00	1.04	6.00	1
17.44						
CountrySideE_Ditch_Culvert	CIRCULAR		4.00	12.57	1.00	4.00
2						
46.76						
CountrySideE_Ditch_Culvert-S	Transect1		0.75	21.13	0.48	55.00
1						
98.63						
JMTB01003	CIRCULAR	2.00	3.14	0.50	2.00	1
14.49						
JMTB01003-S	Transect1	0.75	21.13	0.48	55.00	1
342.19						
JMTB01004	CIRCULAR	1.50	1.77	0.38	1.50	1
7.73						
JMTB01004-S	Transect1	0.75	21.13	0.48	55.00	1
122.05						
JMTB01005	CIRCULAR	1.75	2.41	0.44	1.75	1
7.17						
JMTB01005-S	Transect1	0.75	21.13	0.48	55.00	1
65.31						
JMTB01102	CIRCULAR	2.00	3.14	0.50	2.00	1
20.68						
JMTB01102-S	Transect1	0.75	21.13	0.48	55.00	1
219.17						
JMTB01103	CIRCULAR	2.00	3.14	0.50	2.00	1
11.01						
JMTB01103_1	PARABOLIC	2.50	6.67	0.99	4.00	1
28.68						
JMTB01103-S	Transect1	0.75	21.13	0.48	55.00	1
143.11						
JMTB01104	CIRCULAR	1.25	1.23	0.31	1.25	1
6.42						
JMTB01104-S	Transect1	0.75	21.13	0.48	55.00	1
123.66						
PCTB01068	CIRCULAR	3.00	7.07	0.75	3.00	2
29.89						
PCTB01068_US	CIRCULAR	3.00	7.07	0.75	3.00	1
31.38						
PCTB01068_US-S	Transect1	0.75	21.13	0.48	55.00	1
22.83						
PCTB02001	TRAPEZOIDAL	2.10	64.05	1.55	41.00	1
188.37						
PCTB02002	CIRCULAR	2.00	3.14	0.50	2.00	1
14.93						
PCTB02002-S	Transect1	0.75	21.13	0.48	55.00	1
185.94						
PCTB02003	CIRCULAR	2.00	3.14	0.50	2.00	1
10.40						

Future Conditions (10-Year)

73.44	PCTB02003-S	Transect1	0.75	21.13	0.48	55.00	1
22.17	PCTB02008	CIRCULAR	3.00	7.07	0.75	3.00	2
131.68	PCTB02011	CIRCULAR	4.00	12.57	1.00	4.00	1
128.84	PCTB02011_1	TRAPEZOIDAL	3.50	38.47	2.18	14.98	1
216.69	PCTB02011-S	Transect1	0.75	21.13	0.48	55.00	1
65.39	PCTB02014	CIRCULAR	3.00	7.07	0.75	3.00	1
142.27	PCTB02014_1	TRAPEZOIDAL	3.50	35.02	2.03	15.01	1
167.20	PCTB02014-S	Transect1	0.75	21.13	0.48	55.00	1
7.89	PCTB02016	CIRCULAR	1.50	1.77	0.38	1.50	1
24.49	PCTB02016-S	Transect1	0.75	21.13	0.48	55.00	1
31.64	PCTB02020	TRAPEZOIDAL	1.00	12.50	0.81	15.00	1
5.15	PCTB02021	TRAPEZOIDAL	1.00	7.50	0.72	10.00	1
1.69	PCTB02022	CIRCULAR	1.25	1.23	0.31	1.25	1
48.25	PCTB02022-S	Transect1	0.75	21.13	0.48	55.00	1
3.13	PCTB02023	CIRCULAR	1.50	1.77	0.38	1.50	1
119.59	PCTB02023-S	Transect1	0.75	21.13	0.48	55.00	1
2537.96	PCTB02076	TRAPEZOIDAL	7.00	161.07	3.76	40.02	1
21.94	PCTB02080	HORIZ_ELLIPSE	6.70	56.97	2.05	8.00	1
456.69	PCTB02160	TRAPEZOIDAL	7.00	161.07	3.76	40.02	1
3971.77	PCTB02172	TRAPEZOIDAL	7.00	161.07	3.76	40.02	1
29.03	PCTB02189	CIRCULAR	2.50	4.91	0.63	2.50	1
79.29	PCTB02189-S	Transect1	0.75	21.13	0.48	55.00	1
86.15	PCTB02208	CIRCULAR	4.00	12.57	1.00	4.00	1
95.77	PCTB02208-S	Transect1	0.75	21.13	0.48	55.00	1
34.75	PCTB02231	CIRCULAR	4.00	12.57	1.00	4.00	2
43.58	PCTB02231-S	Transect1	0.75	21.13	0.48	55.00	1
56.05	PCTB02237	CIRCULAR	4.00	12.57	1.00	4.00	2
62.65	PCTB02237-S	Transect1	0.75	21.13	0.48	55.00	1
571.89	PCTB02239	TRIANGULAR	3.50	43.75	1.69	25.00	1
644.39	PCTB02240	TRAPEZOIDAL	4.00	120.00	2.89	40.00	1
192.32	PCTB02259_1	TRAPEZOIDAL	4.00	120.00	2.89	40.00	1

Future Conditions (10-Year)

PCTB02259_2 422.62	TRAPEZOIDAL	4.00	120.00	2.89	40.00	1
PCTB02260 47.36	CIRCULAR	4.00	12.57	1.00	4.00	2
PCTB02260-S 64.48	Transect1	0.75	21.13	0.48	55.00	1
PCTB02264 834.98	TRAPEZOIDAL	4.00	140.00	2.74	50.00	1
PCTB02274 539.91	PARABOLIC	4.00	53.33	2.43	20.00	1
PCTB02275 52.42	CIRCULAR	3.50	9.62	0.88	3.50	1
PCTB02275-S 305.25	Transect1	0.75	21.13	0.48	55.00	1
PCTB02276 9.47	CIRCULAR	3.50	9.62	0.88	3.50	1
PCTB02276-S 42.91	Transect1	0.75	21.13	0.48	55.00	1
PCTB02278 13.28	CIRCULAR	2.00	3.14	0.50	2.00	1
PCTB02278-S 134.35	Transect1	0.75	21.13	0.48	55.00	1
PCTB02279 721.01	TRAPEZOIDAL	4.00	72.00	2.30	30.00	1
PCTB02280 5.02	CIRCULAR	1.25	1.23	0.31	1.25	1
PCTB02280-S 73.87	Transect1	0.75	21.13	0.48	55.00	1
PCTB02281 6.77	CIRCULAR	1.25	1.23	0.31	1.25	1
PCTB02281-S 121.65	Transect1	0.75	21.13	0.48	55.00	1
PCTB02282 6.40	CIRCULAR	1.25	1.23	0.31	1.25	1
PCTB02282-S 153.84	Transect1	0.75	21.13	0.48	55.00	1
PCTB02283 4.26	CIRCULAR	1.25	1.23	0.31	1.25	1
PCTB02283-S 345.17	Transect1	0.75	21.13	0.48	55.00	1
PCTB02284 4.28	CIRCULAR	1.25	1.23	0.31	1.25	1
PCTB02284-S 101.04	Transect1	0.75	21.13	0.48	55.00	1
PCTB02292 618.28	TRAPEZOIDAL	7.50	176.06	4.47	34.95	1
PCTB02294 235.10	CIRCULAR	5.00	19.63	1.25	5.00	1
PCTB02294-S 144.14	Transect1	0.75	21.13	0.48	55.00	1
PCTB02295 700.47	TRAPEZOIDAL	10.00	200.00	5.35	25.00	1
PCTB02297 3.24	CIRCULAR	1.25	1.23	0.31	1.25	1
PCTB02297-S 45.68	Transect1	0.75	21.13	0.48	55.00	1
PCTB02299 2528.04	TRAPEZOIDAL	9.00	162.18	4.79	25.04	1
PCTB02300 3361.85	TRAPEZOIDAL	9.00	202.47	5.27	29.99	1
PCTB02301 267.24	TRAPEZOIDAL	5.00	35.00	2.23	10.00	1

Future Conditions (10-Year)

PCTB02302 476.90	TRAPEZOIDAL	6.00	135.60	3.58	35.20	1
PCTB02303 155.43	CIRCULAR	5.00	19.63	1.25	5.00	1
PCTB02303-S 287.52	Transect1	0.75	21.13	0.48	55.00	1
PCTB02304 254.90	CIRCULAR	5.00	19.63	1.25	5.00	1
PCTB02304-S 410.56	Transect1	0.75	21.13	0.48	55.00	1
PCTB02312 691.12	TRAPEZOIDAL	6.00	150.00	3.55	40.00	1
PCTB02329 2.63	CIRCULAR	1.50	1.77	0.38	1.50	1
PCTB02329-S 116.57	Transect1	0.75	21.13	0.48	55.00	1
PCTB02330 3.19	CIRCULAR	1.50	1.77	0.38	1.50	1
PCTB02330-S 105.59	Transect1	0.75	21.13	0.48	55.00	1
PCTB02331 0.94	CIRCULAR	1.50	1.77	0.38	1.50	1
PCTB02331-S 79.91	Transect1	0.75	21.13	0.48	55.00	1
TRMB02002 102.58	CIRCULAR	3.00	7.07	0.75	3.00	1
TRMB02003 158.87	CIRCULAR	3.00	7.07	0.75	3.00	1
TRMB02003-S 444.01	Transect1	0.75	21.13	0.48	55.00	1
TRMB02006 42.79	CIRCULAR	2.50	4.91	0.63	2.50	1
TRMB02006-S 160.65	Transect1	0.75	21.13	0.48	55.00	1
TRMB02009 67.77	CIRCULAR	2.50	4.91	0.63	2.50	1
TRMB02009-S 267.62	Transect1	0.75	21.13	0.48	55.00	1
TRMB02012 37.10	CIRCULAR	2.50	4.91	0.63	2.50	1
TRMB02012-S 13.68	Transect1	0.75	21.13	0.48	55.00	1
TRMB02015 32.63	CIRCULAR	2.50	4.91	0.63	2.50	1
TRMB02015-S 131.47	Transect1	0.75	21.13	0.48	55.00	1
TRMB02016 21.02	CIRCULAR	2.50	4.91	0.63	2.50	1
TRMB02016-S 77.14	Transect1	0.75	21.13	0.48	55.00	1
TRMB02018 13.96	CIRCULAR	2.00	3.14	0.50	2.00	1
TRMB02018-S 137.42	Transect1	0.75	21.13	0.48	55.00	1
TRMB02022 12.28	CIRCULAR	2.00	3.14	0.50	2.00	1
TRMB02022-S 29.39	Transect1	0.75	21.13	0.48	55.00	1
TRMB02023 21.63	CIRCULAR	2.00	3.14	0.50	2.00	1
TRMB02023-S 70.18	Transect1	0.75	21.13	0.48	55.00	1

Future Conditions (10-Year)

10.00	TRMB02030	CIRCULAR	1.50	1.77	0.38	1.50	1
27.74	TRMB02030-S	Transect1	0.75	21.13	0.48	55.00	1
9.19	TRMB02032	CIRCULAR	1.50	1.77	0.38	1.50	1
175.71	TRMB02032-S	Transect1	0.75	21.13	0.48	55.00	1
16.60	TRMB02033	CIRCULAR	1.50	1.77	0.38	1.50	1
60.66	TRMB02033-S	Transect1	0.75	21.13	0.48	55.00	1
4.83	TRMB02034	CIRCULAR	1.00	0.79	0.25	1.00	1
135.50	TRMB02034-S	Transect1	0.75	21.13	0.48	55.00	1
5.32	TRMB02035	CIRCULAR	1.00	0.79	0.25	1.00	1
161.99	TRMB02035-S	Transect1	0.75	21.13	0.48	55.00	1
22.09	TRMB02044_1	CIRCULAR	2.00	3.14	0.50	2.00	1
121.23	TRMB02044_1-S	Transect1	0.75	21.13	0.48	55.00	1
5.70	TRMB02044_2	CIRCULAR	2.00	3.14	0.50	2.00	1
139.71	TRMB02044_2-S	Transect1	0.75	21.13	0.48	55.00	1
13.74	TRMB02045	CIRCULAR	2.00	3.14	0.50	2.00	1
167.97	TRMB02045-S	Transect1	0.75	21.13	0.48	55.00	1
39.63	TRMB02046	CIRCULAR	1.50	1.77	0.38	1.50	1
114.86	TRMB02046-S	Transect1	0.75	21.13	0.48	55.00	1
18.84	TRMB02047	CIRCULAR	1.50	1.77	0.38	1.50	1
83.06	TRMB02047-S	Transect1	0.75	21.13	0.48	55.00	1
4.50	TRMB02048	CIRCULAR	1.00	0.79	0.25	1.00	1
206.84	TRMB02048-S	Transect1	0.75	21.13	0.48	55.00	1
4.40	TRMB02049	CIRCULAR	1.00	0.79	0.25	1.00	1
67.29	TRMB02049-S	Transect1	0.75	21.13	0.48	55.00	1
7.46	TRMB02050	CIRCULAR	2.00	3.14	0.50	2.00	1
148.87	TRMB02050-S	Transect1	0.75	21.13	0.48	55.00	1
7.42	TRMB02051	CIRCULAR	2.00	3.14	0.50	2.00	1
118.18	TRMB02051-S	Transect1	0.75	21.13	0.48	55.00	1
20.03	TRMB02052	CIRCULAR	2.00	3.14	0.50	2.00	1
96.87	TRMB02052-S	Transect1	0.75	21.13	0.48	55.00	1
20.01	TRMB02056	CIRCULAR	2.00	3.14	0.50	2.00	1

Future Conditions (10-Year)

TRMB02056-S	Transect1	0.75	21.13	0.48	55.00	1
193.57						
TRMB02057	CIRCULAR	2.00	3.14	0.50	2.00	1
19.45						
TRMB02057-S	Transect1	0.75	21.13	0.48	55.00	1
123.46						
TRMB02060	CIRCULAR	2.00	3.14	0.50	2.00	1
18.96						
TRMB02060-S	Transect1	0.75	21.13	0.48	55.00	1
195.68						
TRMB02063	CIRCULAR	1.50	1.77	0.38	1.50	1
17.07						
TRMB02063-S	Transect1	0.75	21.13	0.48	55.00	1
144.70						
TRMB02064	CIRCULAR	1.50	1.77	0.38	1.50	1
8.75						
TRMB02064-S	Transect1	0.75	21.13	0.48	55.00	1
116.56						
TRMB02067	CIRCULAR	1.25	1.23	0.31	1.25	1
2.79						
TRMB02067-S	Transect1	0.75	21.13	0.48	55.00	1
163.36						
TRMB02068	CIRCULAR	1.25	1.23	0.31	1.25	1
4.45						
TRMB02068-S	Transect1	0.75	21.13	0.48	55.00	1
161.17						
TRMB02069	CIRCULAR	1.25	1.23	0.31	1.25	1
6.50						
TRMB02069-S	Transect1	0.75	21.13	0.48	55.00	1
178.71						
TRMB02070	CIRCULAR	1.25	1.23	0.31	1.25	1
4.21						
TRMB02070-S	Transect1	0.75	21.13	0.48	55.00	1
104.17						
TRMB03016	CIRCULAR	2.50	4.91	0.63	2.50	1
46.55						
TRMB03022	TRAPEZOIDAL	1.30	2.67	0.61	3.10	1
20.73						
TRMB03025	CIRCULAR	2.00	3.14	0.50	2.00	1
44.98						
TRMB03025-S	Transect1	0.75	21.13	0.48	55.00	1
496.49						
TRMB03026	CIRCULAR	1.00	0.79	0.25	1.00	1
15.18						
TRMB03027	CIRCULAR	1.00	0.79	0.25	1.00	1
3.72						
TRMB03028	CIRCULAR	2.00	3.14	0.50	2.00	1
4.47						
TRMB03028-S	Transect1	0.75	21.13	0.48	55.00	1
223.19						
TRMB03029	CIRCULAR	2.00	3.14	0.50	2.00	1
24.25						
TRMB03029-S	Transect1	0.75	21.13	0.48	55.00	1
145.37						
TRMB03030	CIRCULAR	2.00	3.14	0.50	2.00	1
21.63						
TRMB03030-S	Transect1	0.75	21.13	0.48	55.00	1
131.83						
TRMB03031	TRAPEZOIDAL	6.00	104.99	3.21	30.00	1
2547.14						
TRMB03032	CIRCULAR	2.00	3.14	0.50	2.00	1
19.94						

Future Conditions (10-Year)

TRMB03032-S 121.82	Transect1	0.75	21.13	0.48	55.00	1
TRMB03033 10.43	CIRCULAR	1.25	1.23	0.31	1.25	1
TRMB03033-S 198.53	Transect1	0.75	21.13	0.48	55.00	1
TRMB03034 6.28	CIRCULAR	1.00	0.79	0.25	1.00	1
TRMB03034-S 123.52	Transect1	0.75	21.13	0.48	55.00	1
TRMB03035 64.76	CIRCULAR	1.25	1.23	0.31	1.25	1
TRMB03035-S 18.11	Transect1	0.75	21.13	0.48	55.00	1
TRMB03036 13.42	CIRCULAR	2.00	3.14	0.50	2.00	1
TRMB03036-S 97.32	Transect1	0.75	21.13	0.48	55.00	1
TRMB03037 4.02	CIRCULAR	1.00	0.79	0.25	1.00	1
TRMB03037-S 135.68	Transect1	0.75	21.13	0.48	55.00	1
TRMB03038 13.65	CIRCULAR	1.00	0.79	0.25	1.00	1
TRMB03038-S 254.64	Transect1	0.75	21.13	0.48	55.00	1
TRMB03039 23.59	CIRCULAR	2.00	3.14	0.50	2.00	1
TRMB03039-S 89.57	Transect1	0.75	21.13	0.48	55.00	1
TRMB03042 11.51	CIRCULAR	1.25	1.23	0.31	1.25	1
TRMB03042-S 228.36	Transect1	0.75	21.13	0.48	55.00	1
TRMB03043 13.81	CIRCULAR	2.00	3.14	0.50	2.00	1
TRMB03043-S 97.64	Transect1	0.75	21.13	0.48	55.00	1
TRMB03044 12.37	CIRCULAR	1.50	1.77	0.38	1.50	1
TRMB03044-S 152.04	Transect1	0.75	21.13	0.48	55.00	1
TRMB03049 9.29	CIRCULAR	1.25	1.23	0.31	1.25	1
TRMB03049-S 278.13	Transect1	0.75	21.13	0.48	55.00	1
TRMB03051 53.17	CIRCULAR	2.00	3.14	0.50	2.00	1
TRMB03051-S 216.99	Transect1	0.75	21.13	0.48	55.00	1
TRMB03052 8.64	CIRCULAR	1.00	0.79	0.25	1.00	1
TRMB03052-S 120.68	Transect1	0.75	21.13	0.48	55.00	1
TRMB03054 5.51	CIRCULAR	2.00	3.14	0.50	2.00	1
TRMB03054-S 48.75	Transect1	0.75	21.13	0.48	55.00	1
TRMB03055 1.77	CIRCULAR	1.25	1.23	0.31	1.25	1
TRMB03055-S 26.06	Transect1	0.75	21.13	0.48	55.00	1

Future Conditions (10-Year)

TRMB03063	CIRCULAR	1.50	1.77	0.38	1.50	1
10.65						
TRMB03063-S	Transect1	0.75	21.13	0.48	55.00	1
144.11						
TRMB03065	CIRCULAR	3.00	7.07	0.75	3.00	1
76.32						
TRMB03067	CIRCULAR	1.00	0.79	0.25	1.00	1
17.70						
TRMB03067-S	Transect1	0.75	21.13	0.48	55.00	1
443.26						
TRMB03068	CIRCULAR	1.50	1.77	0.38	1.50	1
25.52						
TRMB03068-S	Transect1	0.75	21.13	0.48	55.00	1
347.64						
TRMB03069	CIRCULAR	3.00	7.07	0.75	3.00	1
83.52						
TRMB03069-S	Transect1	0.75	21.13	0.48	55.00	1
102.80						
TRMB03070	CIRCULAR	3.00	7.07	0.75	3.00	1
81.31						
TRMB03070-S	Transect1	0.75	21.13	0.48	55.00	1
53.76						
TRMB03072	CIRCULAR	3.00	7.07	0.75	3.00	1
109.80						
TRMB03072-S	Transect1	0.75	21.13	0.48	55.00	1
249.36						
TRMB03073	CIRCULAR	1.25	1.23	0.31	1.25	1
18.02						
TRMB03073-S	Transect1	0.75	21.13	0.48	55.00	1
294.21						
TRMB03083	CIRCULAR	2.50	4.91	0.63	2.50	1
68.09						
TRMB03083-S	Transect1	0.75	21.13	0.48	55.00	1
185.20						
TRMB03084	CIRCULAR	1.50	1.77	0.38	1.50	1
4.94						
TRMB03084-S	Transect1	0.75	21.13	0.48	55.00	1
205.56						
TRMB03087	CIRCULAR	2.50	4.91	0.63	2.50	1
13.75						
TRMB03087-S	Transect1	0.75	21.13	0.48	55.00	1
205.26						
TRMB03088	CIRCULAR	3.00	7.07	0.75	3.00	1
81.45						
TRMB03088-S	Transect1	0.75	21.13	0.48	55.00	1
210.63						
TRMB03089	CIRCULAR	3.00	7.07	0.75	3.00	1
105.61						
TRMB03089-S	Transect1	0.75	21.13	0.48	55.00	1
37.95						
TRMB03090	CIRCULAR	3.00	7.07	0.75	3.00	1
73.99						
TRMB03090-S	Transect1	0.75	21.13	0.48	55.00	1
339.72						
TRMB03091	CIRCULAR	3.00	7.07	0.75	3.00	1
80.72						
TRMB03091-S	Transect1	0.75	21.13	0.48	55.00	1
211.36						
TRMB03092	CIRCULAR	1.25	1.23	0.31	1.25	1
16.34						
TRMB03092-S	Transect1	0.75	21.13	0.48	55.00	1
210.69						

Future Conditions (10-Year)

TRMB03094	CIRCULAR	3.00	7.07	0.75	3.00	1
72.90						
TRMB03094-S	Transect1	0.75	21.13	0.48	55.00	1
142.50						
TRMB03095	CIRCULAR	1.25	1.23	0.31	1.25	1
39.30						
TRMB03095-S	Transect1	0.75	21.13	0.48	55.00	1
14.62						
TRMB03096	CIRCULAR	3.00	7.07	0.75	3.00	1
28.25						
TRMB03096-S	Transect1	0.75	21.13	0.48	55.00	1
331.55						
TRMB03097	CIRCULAR	1.25	1.23	0.31	1.25	1
15.39						
TRMB03097-S	Transect1	0.75	21.13	0.48	55.00	1
304.83						
TRMB03101	CIRCULAR	1.50	1.77	0.38	1.50	1
69.49						
TRMB03101-S	Transect1	0.75	21.13	0.48	55.00	1
385.64						
TRMB03102	CIRCULAR	3.00	7.07	0.75	3.00	1
88.49						
TRMB03102-S	Transect1	0.75	21.13	0.48	55.00	1
229.99						
TRMB03103	CIRCULAR	3.00	7.07	0.75	3.00	1
114.19						
TRMB03103-S	Transect1	0.75	21.13	0.48	55.00	1
259.09						
TRMB03111	CIRCULAR	2.00	3.14	0.50	2.00	1
39.07						
TRMB03111-S	Transect1	0.75	21.13	0.48	55.00	1
176.15						
TRMB03132	CIRCULAR	1.50	1.77	0.38	1.50	1
14.93						
TRMB03132-S	Transect1	0.75	21.13	0.48	55.00	1
271.42						
TRMB04089_1	CIRCULAR	3.50	9.62	0.88	3.50	1
47.19						
TRMB04089_1-S	Transect1	0.75	21.13	0.48	55.00	1
128.01						
TRMB04089_2	CIRCULAR	3.50	9.62	0.88	3.50	1
47.04						
TRMB04089_2-S	Transect1	0.75	21.13	0.48	55.00	1
127.78						
TRMB05002	CIRCULAR	3.50	9.62	0.88	3.50	1
487.84						
TRMB05003	CIRCULAR	3.50	9.62	0.88	3.50	1
105.49						
TRMB05003-S	Transect1	0.75	21.13	0.48	55.00	1
273.49						
TRMB05004	CIRCULAR	1.25	1.23	0.31	1.25	1
7.84						
TRMB05004-S	Transect1	0.75	21.13	0.48	55.00	1
509.74						
TRMB05005	CIRCULAR	1.25	1.23	0.31	1.25	1
10.17						
TRMB05005-S	Transect1	0.75	21.13	0.48	55.00	1
274.39						
TRMB05006	CIRCULAR	3.50	9.62	0.88	3.50	1
63.25						
TRMB05006-S	Transect1	0.75	21.13	0.48	55.00	1
126.86						

Future Conditions (10-Year)

TRMB05008	CIRCULAR	1.25	1.23	0.31	1.25	1
9.22						
TRMB05008-S	Transect1	0.75	21.13	0.48	55.00	1
154.13						
TRMB05009_1	CIRCULAR	3.50	9.62	0.88	3.50	1
89.90						
TRMB05009_1-S	Transect1	0.75	21.13	0.48	55.00	1
100.89						
TRMB05009_2	CIRCULAR	3.50	9.62	0.88	3.50	1
89.89						
TRMB05009_2-S	Transect1	0.75	21.13	0.48	55.00	1
101.70						
TRMB05010	CIRCULAR	2.00	3.14	0.50	2.00	1
102.29						
TRMB05010-S	Transect1	0.75	21.13	0.48	55.00	1
95.92						
TRMB05011	CIRCULAR	2.00	3.14	0.50	2.00	1
39.82						
TRMB05011-S	Transect1	0.75	21.13	0.48	55.00	1
217.12						
TRMB05012	CIRCULAR	1.25	1.23	0.31	1.25	1
3.80						
TRMB05012-S	Transect1	0.75	21.13	0.48	55.00	1
81.49						
TRMB05013	CIRCULAR	1.25	1.23	0.31	1.25	1
71.13						
TRMB05013-S	Transect1	0.75	21.13	0.48	55.00	1
411.07						
TRMB05014	CIRCULAR	1.25	1.23	0.31	1.25	1
30.83						
TRMB05014-S	Transect1	0.75	21.13	0.48	55.00	1
188.28						
TRMB05015	CIRCULAR	3.50	9.62	0.88	3.50	1
55.84						
TRMB05015-S	Transect1	0.75	21.13	0.48	55.00	1
154.01						
TRMB05016	CIRCULAR	1.50	1.77	0.38	1.50	1
47.29						
TRMB05016-S	Transect1	0.75	21.13	0.48	55.00	1
144.71						
TRMB05017	CIRCULAR	3.50	9.62	0.88	3.50	1
51.71						
TRMB05017-S	Transect1	0.75	21.13	0.48	55.00	1
196.34						
TRMB05018	CIRCULAR	1.25	1.23	0.31	1.25	1
26.51						
TRMB05018-S	Transect1	0.75	21.13	0.48	55.00	1
125.01						
TRMB05019	CIRCULAR	1.50	1.77	0.38	1.50	1
15.52						
TRMB05019-S	Transect1	0.75	21.13	0.48	55.00	1
240.33						
TRMB05020	CIRCULAR	1.25	1.23	0.31	1.25	1
8.15						
TRMB05020-S	Transect1	0.75	21.13	0.48	55.00	1
119.35						
TRMB05021	CIRCULAR	1.50	1.77	0.38	1.50	1
9.01						
TRMB05021-S	Transect1	0.75	21.13	0.48	55.00	1
95.47						
TRMB05022	CIRCULAR	1.25	1.23	0.31	1.25	1
8.27						

Future Conditions (10-Year)

TRMB05022-S 125.24	Transect1	0.75	21.13	0.48	55.00	1
TRMB05023 4.21	CIRCULAR	1.25	1.23	0.31	1.25	1
TRMB05023-S 157.10	Transect1	0.75	21.13	0.48	55.00	1
TRMB05025 59.33	CIRCULAR	1.25	1.23	0.31	1.25	1
TRMB05025-S 291.76	Transect1	0.75	21.13	0.48	55.00	1
TRMB05026 27.64	CIRCULAR	1.25	1.23	0.31	1.25	1
TRMB05026-S 122.47	Transect1	0.75	21.13	0.48	55.00	1
TRMB05027 48.91	CIRCULAR	1.25	1.23	0.31	1.25	1
TRMB05027-S 372.47	Transect1	0.75	21.13	0.48	55.00	1
TRMB05028 7.20	CIRCULAR	1.50	1.77	0.38	1.50	1
TRMB05028-S 121.33	Transect1	0.75	21.13	0.48	55.00	1
TRMB05029 5.39	CIRCULAR	1.25	1.23	0.31	1.25	1
TRMB05029-S 115.49	Transect1	0.75	21.13	0.48	55.00	1
TRMB05030 11.07	CIRCULAR	1.25	1.23	0.31	1.25	1
TRMB05030-S 167.63	Transect1	0.75	21.13	0.48	55.00	1
TRMB05031 12.37	CIRCULAR	1.25	1.23	0.31	1.25	1
TRMB05031-S 78.66	Transect1	0.75	21.13	0.48	55.00	1
TRMB05032 10.49	CIRCULAR	1.25	1.23	0.31	1.25	1
TRMB05032-S 62.91	Transect1	0.75	21.13	0.48	55.00	1
TRMB05033 0.44	CIRCULAR	1.25	1.23	0.31	1.25	1
TRMB05033-S 9.35	Transect1	0.75	21.13	0.48	55.00	1
TRMB05034 5.37	CIRCULAR	1.25	1.23	0.31	1.25	1
TRMB05034-S 114.98	Transect1	0.75	21.13	0.48	55.00	1
TRMB05035 45.39	CIRCULAR	1.50	1.77	0.38	1.50	1
TRMB05035-S 68.75	Transect1	0.75	21.13	0.48	55.00	1
TRMB05036 6.24	CIRCULAR	1.25	1.23	0.31	1.25	1
TRMB05036-S 125.13	Transect1	0.75	21.13	0.48	55.00	1
TRMB05037 12.92	CIRCULAR	1.25	1.23	0.31	1.25	1
TRMB05037-S 134.20	Transect1	0.75	21.13	0.48	55.00	1
TRMB05038 7.78	CIRCULAR	1.25	1.23	0.31	1.25	1
TRMB05038-S 83.38	Transect1	0.75	21.13	0.48	55.00	1

Future Conditions (10-Year)

TRMB05039	CIRCULAR	1.25	1.23	0.31	1.25	1
5.00						
TRMB05039-S	Transect1	0.75	21.13	0.48	55.00	1
117.36						
TRMB05040	CIRCULAR	1.50	1.77	0.38	1.50	1
7.58						
TRMB05040-S	Transect1	0.75	21.13	0.48	55.00	1
157.77						
TRMB05041	CIRCULAR	1.50	1.77	0.38	1.50	1
7.66						
TRMB05041-S	Transect1	0.75	21.13	0.48	55.00	1
119.01						
TRMB05042	CIRCULAR	1.25	1.23	0.31	1.25	1
7.46						
TRMB05042-S	Transect1	0.75	21.13	0.48	55.00	1
159.81						
TRMB05044	CIRCULAR	1.25	1.23	0.31	1.25	1
5.64						
TRMB05044-S	Transect1	0.75	21.13	0.48	55.00	1
149.48						
TRMB05045	CIRCULAR	1.50	1.77	0.38	1.50	1
9.73						
TRMB05045-S	Transect1	0.75	21.13	0.48	55.00	1
175.60						
TRMB05046	CIRCULAR	1.50	1.77	0.38	1.50	1
17.69						
TRMB05046-S	Transect1	0.75	21.13	0.48	55.00	1
313.27						
TRMB05048	CIRCULAR	1.50	1.77	0.38	1.50	1
17.63						

 Transect Summary

Transect Transect1

Area:

0.0005	0.0021	0.0048	0.0085	0.0133
0.0192	0.0261	0.0341	0.0431	0.0533
0.0644	0.0767	0.0900	0.1044	0.1198
0.1363	0.1539	0.1725	0.1922	0.2130
0.2343	0.2556	0.2769	0.2982	0.3195
0.3408	0.3621	0.3834	0.4047	0.4260
0.4473	0.4686	0.4899	0.5115	0.5340
0.5576	0.5823	0.6080	0.6349	0.6627
0.6917	0.7217	0.7527	0.7849	0.8180
0.8523	0.8876	0.9240	0.9615	1.0000

Hrad:

0.0151	0.0302	0.0453	0.0604	0.0755
0.0906	0.1057	0.1208	0.1359	0.1510
0.1661	0.1812	0.1963	0.2114	0.2265
0.2416	0.2567	0.2718	0.2869	0.3020
0.3319	0.3617	0.3915	0.4212	0.4508
0.4804	0.5099	0.5394	0.5688	0.5982
0.6275	0.6567	0.6859	0.7150	0.7424
0.7680	0.7919	0.8142	0.8351	0.8547
0.8731	0.8904	0.9067	0.9221	0.9367
0.9506	0.9638	0.9764	0.9884	1.0000

Width:

0.0273	0.0545	0.0818	0.1091	0.1364
--------	--------	--------	--------	--------

Future Conditions (10-Year)

0.1636	0.1909	0.2182	0.2455	0.2727
0.3000	0.3273	0.3545	0.3818	0.4091
0.4364	0.4636	0.4909	0.5182	0.5455
0.5455	0.5455	0.5455	0.5455	0.5455
0.5455	0.5455	0.5455	0.5455	0.5455
0.5455	0.5455	0.5455	0.5636	0.5909
0.6182	0.6455	0.6727	0.7000	0.7273
0.7545	0.7818	0.8091	0.8364	0.8636
0.8909	0.9182	0.9455	0.9727	1.0000

```

*****
Runoff Quantity Continuity          Volume      Depth
                                   acre-feet   inches
*****
Total Precipitation .....          507.856     5.794
Evaporation Loss .....              0.000     0.000
Infiltration Loss .....            164.387     1.876
Surface Runoff .....               284.210     3.243
Final Surface Storage ....           59.325     0.677
Continuity Error (%) .....          -0.013

```

```

*****
Flow Routing Continuity          Volume      Volume
                                   acre-feet   10^6 gal
*****
Dry Weather Inflow .....           0.000     0.000
Wet Weather Inflow .....          284.022    92.553
Groundwater Inflow .....           0.000     0.000
RDII Inflow .....                  0.000     0.000
External Inflow .....              0.000     0.000
External Outflow .....             -96.249    -31.364
Internal Outflow .....             370.369    120.690
Evaporation Loss .....              0.000     0.000
Exfiltration Loss .....             0.000     0.000
Initial Stored Volume ....           0.418     0.136
Final Stored Volume .....           17.162     5.593
Continuity Error (%) .....          -2.405

```

```

*****
Highest Continuity Errors
*****
Node TRMB05006-S (-4257.50%)
Node TRMB05021-S (-2119.59%)
Node TRMB05003-S (-1081.83%)
Node TRMB05035-S (-889.61%)
Node TRMB05046-S (-796.55%)

```

```

*****
Time-Step Critical Elements
*****
Link PCTB02237 (42.51%)
Link C14 (9.64%)
Link TRMB03028 (6.45%)
Link PCTB02002 (6.20%)
Link JMTB01104 (2.98%)

```

```

*****
Highest Flow Instability Indexes
*****

```

Future Conditions (10-Year)

Link TRMB05020-IC (117)
 Link TRMB05028-IC (106)
 Link TRMB03067-IC (105)
 Link TRMB03101-IC (104)
 Link TRMB05030-IC (103)

 Routing Time Step Summary

Minimum Time Step : 0.50 sec
 Average Time Step : 3.20 sec
 Maximum Time Step : 5.00 sec
 Percent in Steady State : 0.00
 Average Iterations per Step : 6.19
 Percent Not Converging : 35.63

 Subcatchment Runoff Summary

-----			Total	Total	Total	Total	Total	
Total	Peak	Runoff	Precip	Runon	Evap	Infil	Runoff	
Runoff	Runoff	Coeff	in	in	in	in	in	10^6
Subcatchment	CFS							
-----			-----					
PC_1321			5.79	0.00	0.00	1.03	3.83	
4.42	29.88	0.661						
PC_1323			5.79	0.00	0.00	1.33	3.54	
1.67	10.87	0.610						
PC_1324			5.79	0.00	0.00	0.89	3.96	
2.23	15.34	0.684						
PC_1325			5.79	0.00	0.00	1.17	3.69	
3.10	20.59	0.637						
PC_1326			5.79	0.00	0.00	1.08	4.11	
7.38	70.46	0.710						
PC_1327			5.79	0.00	0.00	1.86	3.04	
1.13	6.77	0.525						
PC_1350			5.79	0.00	0.00	1.84	3.06	
4.83	29.03	0.527						
PC_1360			5.79	0.00	0.00	2.77	2.20	
2.29	12.05	0.380						
PC_571			5.79	0.00	0.00	2.03	3.10	
13.69	101.95	0.535						
SubCatch_ASH_ST			5.79	0.00	0.00	2.46	3.17	
0.11	2.18	0.547						
SubCatch_AVERY_ST			5.79	0.00	0.00	3.04	2.57	
0.03	0.58	0.444						
SubCatch_BELVOIR_HW			5.79	0.00	0.00	0.91	3.94	
3.90	26.70	0.681						
SubCatch_BELVOIR_HW_1			5.79	0.00	0.00	2.09	2.83	
2.01	11.66	0.488						
SubCatch_CHESTNUT_ST			5.79	0.00	0.00	2.33	3.29	
1.72	33.26	0.568						
SubCatch_COLONIAL_AV			5.79	0.00	0.00	2.92	2.71	
0.03	0.56	0.467						

Future Conditions (10-Year)

SubCatch_COLONIAL_AV_1	5.79	0.00	0.00	2.19	3.42
0.03 0.62 0.591					
SubCatch_CONTENTNEA_ST	5.79	0.00	0.00	1.51	4.11
0.00 0.07 0.709					
SubCatch_CONTENTNEA_ST_1	5.79	0.00	0.00	2.19	3.43
0.18 3.39 0.592					
SubCatch_CONTENTNEA_ST_2	5.79	0.00	0.00	2.98	2.65
0.14 2.84 0.458					
SubCatch_CONTENTNEA_ST_3	5.79	0.00	0.00	2.26	3.36
0.07 1.37 0.580					
SubCatch_CONTENTNEA_ST_4	5.79	0.00	0.00	2.53	3.09
0.13 2.51 0.534					
SubCatch_CONTENTNEA_ST_5	5.79	0.00	0.00	2.60	3.03
0.12 2.41 0.522					
SubCatch_CONTENTNEA_ST_6	5.79	0.00	0.00	2.53	3.09
0.02 0.44 0.533					
SubCatch_DAVIS_ST	5.79	0.00	0.00	2.92	2.70
0.05 0.89 0.466					
SubCatch_DAVIS_ST_1	5.79	0.00	0.00	3.04	2.58
0.06 1.15 0.445					
SubCatch_DAVIS_ST_2	5.79	0.00	0.00	3.22	2.40
0.14 2.69 0.414					
SubCatch_DAVIS_ST_3	5.79	0.00	0.00	3.04	2.58
0.09 1.67 0.445					
SubCatch_DAVIS_ST_4	5.79	0.00	0.00	3.39	2.23
0.10 1.90 0.385					
SubCatch_E_1ST_ST	5.79	0.00	0.00	3.28	2.34
0.33 6.26 0.403					
SubCatch_E_1ST_ST_1	5.79	0.00	0.00	2.53	3.11
0.05 0.91 0.536					
SubCatch_E_1ST_ST_2	5.79	0.00	0.00	3.04	2.57
0.18 3.32 0.443					
SubCatch_E_2ND_ST	5.79	0.00	0.00	0.93	4.66
0.58 10.32 0.804					
SubCatch_E_2ND_ST_1	5.79	0.00	0.00	1.51	4.09
0.00 0.06 0.706					
SubCatch_E_2ND_ST_2	5.79	0.00	0.00	3.45	2.17
0.00 0.01 0.375					
SubCatch_E_2ND_ST_3	5.79	0.00	0.00	2.85	2.76
0.01 0.13 0.476					
SubCatch_E_2ND_ST_4	5.79	0.00	0.00	1.35	4.24
0.08 1.53 0.732					
SubCatch_E_3RD_ST	5.79	0.00	0.00	2.98	2.66
0.09 1.88 0.459					
SubCatch_E_3RD_ST_1	5.79	0.00	0.00	1.27	4.32
0.79 14.24 0.746					
SubCatch_E_3RD_ST_2	5.79	0.00	0.00	2.92	2.72
0.14 2.83 0.470					
SubCatch_E_3RD_ST_3	5.79	0.00	0.00	2.66	2.97
0.14 2.83 0.513					
SubCatch_E_4TH_ST	5.79	0.00	0.00	2.85	2.78
0.07 1.41 0.481					
SubCatch_E_4TH_ST_1	5.79	0.00	0.00	2.40	3.24
0.27 5.37 0.559					
SubCatch_E_4TH_ST_2	5.79	0.00	0.00	2.53	3.11
0.07 1.41 0.536					
SubCatch_E_CATAWBA_RD	5.79	0.00	0.00	1.62	3.26
1.61 10.05 0.563					
SubCatch_FAIRFAX_AV	5.79	0.00	0.00	2.92	2.71
0.08 1.55 0.467					
SubCatch_FLEMING_SCHOOL_RD	5.79	0.00	0.00	2.77	2.20
1.63 8.57 0.380					

Future Conditions (10-Year)

SubCatch_FLEMING_SCHOOL_RD_1	5.79	0.00	0.00	2.13	2.79
2.21 12.75 0.481					
SubCatch_FLEMING_SCHOOL_RD_2	5.79	0.00	0.00	1.51	3.36
0.34 2.12 0.581					
SubCatch_GREENFIELD_BV	5.79	0.00	0.00	1.87	3.03
2.42 14.48 0.522					
SubCatch_GREENFIELD_BV_1	5.79	0.00	0.00	1.27	3.59
0.81 5.29 0.620					
SubCatch_GREENFIELD_BV_2	5.79	0.00	0.00	1.51	3.37
0.78 4.97 0.581					
SubCatch_HAW_1	5.79	0.00	0.00	1.27	3.59
0.28 1.84 0.620					
SubCatch_HAW_2	5.79	0.00	0.00	1.62	3.78
1.80 22.36 0.652					
SubCatch_HOP_TYSON_RD	5.79	0.00	0.00	1.62	3.26
1.54 9.60 0.563					
SubCatch_JOHNSON_HEIGHTS	5.79	0.00	0.00	0.93	4.70
0.35 7.74 0.811					
SubCatch_LATHAM_ST	5.79	0.00	0.00	2.12	3.50
0.25 4.76 0.605					
SubCatch_N_ELM_ST	5.79	0.00	0.00	1.67	3.96
0.31 6.69 0.684					
SubCatch_N_ELM_ST_1	5.79	0.00	0.00	2.40	3.24
0.21 4.15 0.559					
SubCatch_N_ELM_ST_2	5.79	0.00	0.00	1.97	3.66
0.76 15.84 0.632					
SubCatch_N_HARDING_ST	5.79	0.00	0.00	3.39	2.25
0.14 2.83 0.389					
SubCatch_N_HARDING_ST_1	5.79	0.00	0.00	2.85	2.79
0.12 2.31 0.481					
SubCatch_N_HARDING_ST_2	5.79	0.00	0.00	2.98	2.66
0.22 4.31 0.460					
SubCatch_N_JARVIS_ST	5.79	0.00	0.00	2.33	3.27
0.28 5.19 0.565					
SubCatch_N_LIBRARY_ST	5.79	0.00	0.00	2.98	2.66
0.20 3.91 0.460					
SubCatch_N_MEMORIAL_DR	5.79	0.00	0.00	1.51	3.37
1.62 10.25 0.581					
SubCatch_N_OAK_ST	5.79	0.00	0.00	1.82	3.81
0.63 13.22 0.658					
SubCatch_N_OAK_ST_1	5.79	0.00	0.00	0.84	4.78
0.09 1.98 0.826					
SubCatch_N_OAK_ST_2	5.79	0.00	0.00	1.19	4.44
0.36 7.96 0.767					
SubCatch_N_SUMMIT_ST	5.79	0.00	0.00	2.66	2.94
0.02 0.38 0.508					
SubCatch_N_SUMMIT_ST_1	5.79	0.00	0.00	2.66	2.94
0.38 7.13 0.508					
SubCatch_PARK_DR	5.79	0.00	0.00	3.45	2.20
0.09 1.73 0.379					
SubCatch_RIVER_DR	5.79	0.00	0.00	2.26	3.38
0.40 8.33 0.583					
SubCatch_S_ELM_ST	5.79	0.00	0.00	2.53	3.11
0.54 10.64 0.536					
SubCatch_S_ELM_ST_1	5.79	0.00	0.00	2.92	2.72
0.19 3.83 0.470					
SubCatch_S_HARDING_ST	5.79	0.00	0.00	3.04	2.60
0.32 6.45 0.449					
SubCatch_S_LIBRARY_ST	5.79	0.00	0.00	2.98	2.66
0.34 6.90 0.460					
SubCatch_S_OAK_ST	5.79	0.00	0.00	2.85	2.78
0.14 2.75 0.481					

Future Conditions (10-Year)

SubCatch_S_OAK_ST_1	5.79	0.00	0.00	1.75	3.89
0.13 2.71 0.671					
SubCatch_S_ROTARY_AV	5.79	0.00	0.00	2.19	3.41
0.42 7.89 0.589					
SubCatch_S_ROTARY_AV_1	5.79	0.00	0.00	3.04	2.60
0.31 6.28 0.449					
SubCatch_S_ROTARY_AV_2	5.79	0.00	0.00	2.04	3.56
0.18 3.33 0.614					
SubCatch_S_ROTARY_AV_3	5.79	0.00	0.00	2.26	3.34
0.07 1.33 0.577					
SubCatch_S_ROTARY_AV_5	5.79	0.00	0.00	3.10	2.51
0.04 0.82 0.433					
SubCatch_S_WOODLAWN_AV	5.79	0.00	0.00	2.98	2.63
0.07 1.25 0.454					
SubCatch_SPRUCE_ST	5.79	0.00	0.00	2.40	3.14
4.19 66.05 0.541					
SubCatch_STATON_HOUSE_RD	5.79	0.00	0.00	1.86	3.04
2.61 15.61 0.525					
SubCatch_STUDENT_ST	5.79	0.00	0.00	1.97	3.63
0.56 10.54 0.626					
SubCatch_TRENT_CI	5.79	0.00	0.00	2.09	2.83
0.78 4.52 0.488					
SubCatch_TRENT_CI_1	5.79	0.00	0.00	1.78	3.11
2.38 14.44 0.536					
SubCatch_VANCE_2	5.79	0.00	0.00	2.92	2.71
0.21 4.14 0.467					
SubCatch_VANCE_ST_1	5.79	0.00	0.00	1.51	4.11
0.00 0.07 0.709					
SubCatch_VANCE_ST_2	5.79	0.00	0.00	2.66	2.96
0.03 0.50 0.511					
SubCatch_VANCE_ST_3	5.79	0.00	0.00	2.79	2.83
0.09 1.73 0.489					
SubCatch_VANCE_ST_4	5.79	0.00	0.00	3.16	2.47
0.08 1.56 0.426					
SubCatch_VANCE_ST_5	5.79	0.00	0.00	3.45	2.18
0.07 1.38 0.377					
SubCatch_VANCE_ST_6	5.79	0.00	0.00	3.04	2.59
0.02 0.32 0.447					
SubCatch_VANCE_ST_7	5.79	0.00	0.00	3.45	2.18
0.02 0.33 0.377					
SubCatch_W_3RD_ST	5.79	0.00	0.00	1.51	4.09
0.00 0.02 0.706					
SubCatch_W_3RD_ST_1	5.79	0.00	0.00	1.51	4.09
0.00 0.04 0.706					
SubCatch_W_3RD_ST_2	5.79	0.00	0.00	2.85	2.76
0.02 0.42 0.477					
SubCatch_W_3RD_ST_3	5.79	0.00	0.00	2.98	2.64
0.07 1.44 0.455					
SubCatch_W_3RD_ST_5	5.79	0.00	0.00	2.92	2.71
0.06 1.08 0.467					
SubCatch_W_3RD_ST_6	5.79	0.00	0.00	3.04	2.59
0.03 0.58 0.446					
SubCatch_W_3RD_ST_7	5.79	0.00	0.00	2.46	3.16
0.01 0.28 0.545					
SubCatch_W_3RD_ST_8	5.79	0.00	0.00	2.92	2.71
0.04 0.69 0.468					
SubCatch_W_3RD_ST_9	5.79	0.00	0.00	2.92	2.73
0.10 2.17 0.472					
SubCatch_W_4TH_ST	5.79	0.00	0.00	2.85	2.77
0.06 1.18 0.478					
SubCatch_W_4TH_ST_2	5.79	0.00	0.00	2.98	2.65
0.05 0.96 0.457					

Future Conditions (10-Year)

SubCatch_W_5th_ST	5.79	0.00	0.00	2.53	3.09
0.72 13.96 0.534					
SubCatch_WILLOW_ST	5.79	0.00	0.00	2.85	2.79
0.16 3.23 0.481					
SubCatch_WILLOW_ST_1	5.79	0.00	0.00	3.10	2.54
0.03 0.58 0.439					
SubCatch_WILSONACRES_APT	5.79	0.00	0.00	2.66	2.97
0.49 9.76 0.513					
SubCatch_WOODSIDE_RD	5.79	0.00	0.00	1.51	3.37
2.00 12.64 0.581					
SubCatch_WOODSIDE_RD_1	5.79	0.00	0.00	1.39	3.48
1.07 6.90 0.600					
SubInsert	5.79	0.00	0.00	1.51	3.37
1.50 9.50 0.581					

Node Depth Summary

Node	Type	Average Depth Feet	Maximum Depth Feet	Maximum HGL Feet	Time of Max Occurrence days hr:min
CountrySideE_Ditch_Culvert_In	JUNCTION		2.32	2.74	24.39 0 13:37
CountrySideE_Ditch_Culvert_In-S	JUNCTION		0.20	0.45	27.95 0 12:30
JMTB01003	JUNCTION	1.74	2.50	27.52	0 11:56
JMTB01003-S	JUNCTION	0.37	0.75	27.77	0 12:25
JMTB01004	JUNCTION	1.69	2.48	27.55	0 13:03
JMTB01004-S	JUNCTION	0.02	0.16	27.75	0 12:25
JMTB01005	JUNCTION	1.38	2.01	27.29	0 12:08
JMTB01005-S	JUNCTION	0.00	0.01	27.30	0 13:30
JMTB01006	JUNCTION	1.41	2.00	26.59	0 12:23
JMTB01006-S	JUNCTION	0.51	0.75	27.29	0 11:27
JMTB01102	JUNCTION	0.87	1.91	28.50	0 13:00
JMTB01102-S	JUNCTION	0.16	0.54	29.60	0 13:00
JMTB01103	JUNCTION	1.00	2.06	28.48	0 13:00
JMTB01103-S	JUNCTION	0.00	0.02	29.59	0 13:01
JMTB01104	JUNCTION	0.85	1.91	28.54	0 13:00
JMTB01104-S	JUNCTION	0.01	0.04	29.78	0 12:30
JMTB01105	JUNCTION	1.20	2.07	28.10	0 13:01
JMTB01105-S	JUNCTION	0.25	0.75	28.56	0 12:21
PCTB01068	JUNCTION	0.42	1.15	20.50	0 12:29
PCTB01068_US	JUNCTION	0.53	1.16	21.16	0 12:23
PCTB01068_US-S	JUNCTION	0.13	0.75	26.05	0 12:22
PCTB01068-S	JUNCTION	0.06	0.69	26.05	0 12:23
PCTB02001	JUNCTION	1.22	2.05	23.83	0 14:07
PCTB02001-S	JUNCTION	0.10	0.47	23.85	0 14:03
PCTB02002	JUNCTION	1.08	1.90	23.89	0 14:07
PCTB02002-S	JUNCTION	0.00	0.00	24.25	0 00:00
PCTB02003	JUNCTION	0.76	1.38	25.36	0 14:42
PCTB02003-S	JUNCTION	0.27	0.75	26.98	0 12:09
PCTB02004	JUNCTION	0.44	1.10	25.26	0 14:40
PCTB02004-S	JUNCTION	0.24	0.58	26.99	0 12:09
PCTB02005	JUNCTION	0.38	0.76	25.16	0 13:30
PCTB02008	JUNCTION	1.29	2.03	23.67	0 13:59
PCTB02011	JUNCTION	1.10	1.86	23.72	0 14:01
PCTB02011-S	JUNCTION	0.00	0.04	26.80	0 12:27
PCTB02012	JUNCTION	1.38	2.19	23.81	0 14:05
PCTB02012-S	JUNCTION	0.22	0.75	26.81	0 12:27
PCTB02014	JUNCTION	2.28	3.13	23.83	0 14:04

Future Conditions (10-Year)

PCTB02014-S	JUNCTION	0.13	0.61	23.84	0	13:53
PCTB02015	JUNCTION	2.00	2.86	23.83	0	14:05
PCTB02015-S	JUNCTION	0.02	0.18	23.82	0	13:54
PCTB02016	JUNCTION	0.50	0.94	25.17	0	13:32
PCTB02016-S	JUNCTION	0.00	0.00	25.88	0	00:00
PCTB02017	JUNCTION	0.75	1.37	25.36	0	14:42
PCTB02017-S	JUNCTION	0.00	0.00	25.89	0	00:00
PCTB02022	JUNCTION	1.67	2.44	24.76	0	11:49
PCTB02022-S	JUNCTION	0.09	0.28	25.04	0	12:33
PCTB02023	JUNCTION	1.61	2.37	24.72	0	11:49
PCTB02023-S	JUNCTION	0.02	0.18	24.90	0	12:35
PCTB02075	JUNCTION	6.55	6.58	23.80	0	00:24
PCTB02076	JUNCTION	6.06	6.09	23.80	0	00:24
PCTB02080	JUNCTION	6.94	6.97	23.80	0	13:38
PCTB02159	JUNCTION	5.77	5.80	23.80	0	13:24
PCTB02160	JUNCTION	5.78	5.81	23.80	0	13:24
PCTB02189	JUNCTION	3.46	4.19	23.76	0	00:03
PCTB02189-S	JUNCTION	0.23	0.53	24.29	0	12:30
PCTB02191	JUNCTION	4.58	4.59	23.00	0	00:02
PCTB02191_DS	JUNCTION	6.55	6.58	23.78	0	13:37
PCTB02191_DS-S	JUNCTION	0.75	0.75	22.95	0	00:07
PCTB02191-S	JUNCTION	0.09	0.29	23.29	0	12:31
PCTB02207	JUNCTION	3.28	3.57	24.19	0	13:37
PCTB02207-S	JUNCTION	0.00	0.00	24.62	0	00:00
PCTB02209	JUNCTION	2.85	3.24	24.32	0	13:38
PCTB02209-S	JUNCTION	0.00	0.00	25.08	0	00:00
PCTB02220	JUNCTION	5.22	5.32	23.88	0	00:08
PCTB02229	JUNCTION	4.89	5.15	24.03	0	00:08
PCTB02229-S	JUNCTION	0.00	0.00	24.52	0	00:00
PCTB02231	JUNCTION	4.75	4.92	24.02	0	13:40
PCTB02231-S	JUNCTION	0.00	0.00	24.80	0	00:00
PCTB02233	JUNCTION	0.00	0.00	25.41	0	00:00
PCTB02235	JUNCTION	4.01	4.22	24.07	0	13:36
PCTB02235-S	JUNCTION	0.33	0.75	26.15	0	12:05
PCTB02237	JUNCTION	3.86	4.15	24.18	0	13:37
PCTB02237-S	JUNCTION	0.15	0.57	26.15	0	12:06
PCTB02257	JUNCTION	2.59	3.01	24.37	0	13:38
PCTB02257_1	JUNCTION	2.59	3.01	24.37	0	13:38
PCTB02257_1-S	JUNCTION	0.07	0.17	26.93	0	12:30
PCTB02257-S	JUNCTION	0.29	0.75	27.71	0	11:58
PCTB02260	JUNCTION	2.57	2.98	24.36	0	13:38
PCTB02260-S	JUNCTION	0.00	0.00	25.93	0	00:00
PCTB02262	JUNCTION	2.66	3.04	24.32	0	13:38
PCTB02262-S	JUNCTION	0.00	0.00	25.78	0	00:00
PCTB02275	JUNCTION	2.52	2.97	24.42	0	13:38
PCTB02275-S	JUNCTION	0.05	0.40	25.95	0	13:03
PCTB02276	JUNCTION	2.50	3.00	24.52	0	13:49
PCTB02276-S	JUNCTION	0.00	0.00	26.12	0	00:00
PCTB02278	JUNCTION	2.11	3.02	25.26	0	14:57
PCTB02278-S	JUNCTION	0.14	0.61	25.25	0	14:33
PCTB02280	JUNCTION	3.66	3.69	22.58	0	00:15
PCTB02280-S	JUNCTION	0.54	0.75	23.33	0	12:13
PCTB02281	JUNCTION	3.52	3.61	22.77	0	00:11
PCTB02281-S	JUNCTION	0.30	0.56	23.33	0	12:14
PCTB02282	JUNCTION	3.31	3.52	23.28	0	12:34
PCTB02282-S	JUNCTION	0.03	0.10	25.25	0	12:32
PCTB02283	JUNCTION	2.92	2.95	22.87	0	00:13
PCTB02283-S	JUNCTION	0.00	0.01	22.88	0	12:32
PCTB02284	JUNCTION	2.58	2.92	23.18	0	00:13
PCTB02284-S	JUNCTION	0.00	0.00	23.18	0	00:00
PCTB02292	JUNCTION	5.61	5.78	23.78	0	00:23
PCTB02292-S	JUNCTION	0.36	0.48	23.48	0	12:31

Future Conditions (10-Year)

PCTB02294	JUNCTION	5.97	6.07	23.74	0	00:24
PCTB02294-S	JUNCTION	0.30	0.41	23.08	0	00:17
PCTB02295	JUNCTION	6.50	6.53	23.77	0	13:19
PCTB02295-S	JUNCTION	0.75	0.75	22.99	0	00:08
PCTB02297	JUNCTION	2.59	2.90	23.31	0	00:15
PCTB02297-S	JUNCTION	0.06	0.23	23.54	0	12:39
PCTB02302	JUNCTION	5.27	5.51	23.85	0	00:22
PCTB02302-S	JUNCTION	0.32	0.51	23.85	0	00:22
PCTB02303	JUNCTION	5.44	7.12	25.25	0	00:14
PCTB02303-S	JUNCTION	0.06	0.15	25.40	0	12:30
PCTB02304	JUNCTION	5.17	5.23	23.60	0	00:14
PCTB02304-S	JUNCTION	0.33	0.75	24.35	0	12:05
PCTB02312	JUNCTION	5.36	5.56	23.81	0	00:22
PCTB02312-S	JUNCTION	0.41	0.54	23.79	0	00:22
PCTB02329	JUNCTION	1.22	2.07	24.23	0	12:55
PCTB02329-S	JUNCTION	0.00	0.00	24.23	0	13:10
PCTB02330	JUNCTION	1.48	2.67	24.97	0	12:55
PCTB02330-S	JUNCTION	0.01	0.07	25.49	0	12:37
PCTB02331	JUNCTION	1.72	2.82	25.04	0	12:23
PCTB02331-S	JUNCTION	0.14	0.52	25.56	0	12:37
PCTB02332	JUNCTION	1.74	2.69	24.89	0	13:09
PCTB02332-S	JUNCTION	0.00	0.00	25.67	0	00:00
TRMB02002	JUNCTION	0.50	1.59	7.14	0	12:30
TRMB02002-S	JUNCTION	0.01	0.08	16.29	0	12:00
TRMB02003	JUNCTION	2.91	6.45	9.33	0	11:55
TRMB02003-S	JUNCTION	0.02	0.39	12.97	0	12:31
TRMB02006	JUNCTION	0.92	7.34	15.94	0	11:55
TRMB02006-S	JUNCTION	0.01	0.21	18.11	0	12:01
TRMB02009	JUNCTION	0.49	1.45	18.72	0	12:30
TRMB02009-S	JUNCTION	0.03	0.22	27.04	0	12:00
TRMB02012	JUNCTION	0.70	2.35	21.85	0	12:36
TRMB02012-S	JUNCTION	0.00	0.00	26.80	0	12:00
TRMB02015	JUNCTION	0.77	3.08	24.13	0	12:16
TRMB02015-S	JUNCTION	0.04	0.75	25.89	0	12:16
TRMB02016	JUNCTION	1.03	3.50	24.64	0	12:20
TRMB02016-S	JUNCTION	0.04	0.67	25.89	0	12:16
TRMB02018	JUNCTION	1.06	4.75	27.66	0	12:15
TRMB02018-S	JUNCTION	0.02	0.30	28.96	0	12:11
TRMB02022	JUNCTION	1.13	4.78	28.56	0	11:49
TRMB02022-S	JUNCTION	0.05	0.62	29.18	0	12:30
TRMB02023	JUNCTION	0.52	3.08	29.10	0	11:49
TRMB02023-S	JUNCTION	0.01	0.19	29.38	0	12:01
TRMB02030	JUNCTION	0.42	2.30	29.22	0	11:49
TRMB02030-S	JUNCTION	0.00	0.00	29.22	0	12:01
TRMB02032	JUNCTION	0.35	2.49	31.53	0	12:14
TRMB02032-S	JUNCTION	0.00	0.00	33.68	0	12:00
TRMB02033	JUNCTION	0.27	2.20	32.02	0	11:58
TRMB02033-S	JUNCTION	0.00	0.09	33.83	0	12:30
TRMB02034	JUNCTION	0.52	3.38	34.33	0	11:50
TRMB02034-S	JUNCTION	0.01	0.21	34.54	0	12:30
TRMB02035	JUNCTION	0.34	2.12	36.34	0	11:50
TRMB02035-S	JUNCTION	0.03	0.24	36.58	0	12:30
TRMB02044	JUNCTION	0.57	5.55	36.45	0	11:54
TRMB02044_DS	JUNCTION	1.57	8.87	33.02	0	11:54
TRMB02044_DS-S	JUNCTION	0.04	0.32	33.34	0	12:01
TRMB02044-S	JUNCTION	0.00	0.00	37.10	0	00:00
TRMB02045	JUNCTION	0.86	5.08	35.86	0	11:54
TRMB02045-S	JUNCTION	0.00	0.00	36.74	0	00:00
TRMB02046	JUNCTION	0.20	3.08	36.11	0	11:55
TRMB02046-S	JUNCTION	0.00	0.00	36.63	0	12:25
TRMB02047	JUNCTION	0.19	0.70	34.89	0	11:54
TRMB02047-S	JUNCTION	0.00	0.07	36.83	0	12:30

Future Conditions (10-Year)

TRMB02048	JUNCTION	0.16	0.59	36.56	0	12:30
TRMB02048-S	JUNCTION	0.00	0.00	39.25	0	11:23
TRMB02049	JUNCTION	0.16	0.58	37.13	0	12:30
TRMB02049-S	JUNCTION	0.00	0.07	39.41	0	12:30
TRMB02050	JUNCTION	0.82	4.59	35.46	0	11:54
TRMB02050-S	JUNCTION	0.00	0.00	36.02	0	00:00
TRMB02051	JUNCTION	0.76	3.81	34.90	0	11:54
TRMB02051-S	JUNCTION	0.00	0.05	34.95	0	12:00
TRMB02052	JUNCTION	0.66	3.55	34.80	0	11:54
TRMB02052-S	JUNCTION	0.00	0.00	34.80	0	11:22
TRMB02056	JUNCTION	0.55	3.71	35.12	0	11:54
TRMB02056-S	JUNCTION	0.00	0.01	35.21	0	12:03
TRMB02057	JUNCTION	0.54	3.67	35.21	0	11:54
TRMB02057-S	JUNCTION	0.01	0.16	35.50	0	12:03
TRMB02060	JUNCTION	0.37	1.79	36.09	0	12:30
TRMB02060-S	JUNCTION	0.02	0.19	41.43	0	12:00
TRMB02063	JUNCTION	0.20	0.72	40.89	0	12:30
TRMB02063-S	JUNCTION	0.00	0.00	43.67	0	00:00
TRMB02064	JUNCTION	0.32	1.32	42.36	0	12:30
TRMB02064-S	JUNCTION	0.00	0.00	44.56	0	12:30
TRMB02067	JUNCTION	0.49	2.82	44.08	0	12:29
TRMB02067-S	JUNCTION	0.01	0.10	46.30	0	12:30
TRMB02068	JUNCTION	0.35	2.86	44.98	0	12:29
TRMB02068-S	JUNCTION	0.01	0.10	48.76	0	12:30
TRMB02069	JUNCTION	0.22	2.45	45.02	0	12:29
TRMB02069-S	JUNCTION	0.00	0.00	49.40	0	13:30
TRMB02070	JUNCTION	0.25	2.34	45.06	0	12:29
TRMB02070-S	JUNCTION	0.00	0.02	49.62	0	12:29
TRMB03016	JUNCTION	0.48	2.01	9.95	0	12:30
TRMB03016-S	JUNCTION	0.00	0.00	14.88	0	00:00
TRMB03022	JUNCTION	0.51	2.89	12.79	0	12:16
TRMB03022-S	JUNCTION	0.01	0.22	12.79	0	12:37
TRMB03025	JUNCTION	0.31	1.07	13.86	0	12:30
TRMB03025-S	JUNCTION	0.00	0.04	19.63	0	12:00
TRMB03026	JUNCTION	0.03	0.13	15.24	0	12:30
TRMB03027	JUNCTION	0.08	0.35	15.80	0	12:30
TRMB03028	JUNCTION	0.79	2.93	15.71	0	12:36
TRMB03028-S	JUNCTION	0.00	0.00	20.09	0	00:00
TRMB03029	JUNCTION	0.50	2.92	16.70	0	12:36
TRMB03029-S	JUNCTION	0.00	0.00	19.13	0	00:00
TRMB03030	JUNCTION	0.61	3.73	18.61	0	12:34
TRMB03030-S	JUNCTION	0.00	0.00	19.95	0	00:00
TRMB03031	JUNCTION	0.15	0.73	18.60	0	12:35
TRMB03031-S	JUNCTION	0.00	0.08	26.16	0	12:30
TRMB03032	JUNCTION	0.71	5.09	26.35	0	12:03
TRMB03032-S	JUNCTION	0.00	0.03	28.65	0	12:30
TRMB03033	JUNCTION	0.17	2.68	30.21	0	11:58
TRMB03033-S	JUNCTION	0.00	0.00	30.21	0	11:59
TRMB03034	JUNCTION	0.29	3.02	30.36	0	11:58
TRMB03034-S	JUNCTION	0.00	0.03	30.39	0	12:30
TRMB03035	JUNCTION	0.06	3.41	29.28	0	12:02
TRMB03035-S	JUNCTION	0.00	0.00	29.28	0	00:00
TRMB03036	JUNCTION	0.73	5.70	27.43	0	12:03
TRMB03036-S	JUNCTION	0.00	0.00	29.28	0	12:28
TRMB03037	JUNCTION	0.38	2.92	30.67	0	11:58
TRMB03037-S	JUNCTION	0.01	0.19	30.86	0	12:30
TRMB03038	JUNCTION	0.03	0.98	27.52	0	12:03
TRMB03038-S	JUNCTION	0.00	0.00	30.40	0	00:00
TRMB03039	JUNCTION	0.54	4.98	28.32	0	12:02
TRMB03039-S	JUNCTION	0.00	0.05	29.95	0	12:30
TRMB03042	JUNCTION	0.15	0.50	36.40	0	12:30
TRMB03042-S	JUNCTION	0.01	0.16	40.83	0	12:30

Future Conditions (10-Year)

TRMB03043	JUNCTION	0.47	4.27	28.59	0	11:58
TRMB03043-S	JUNCTION	0.00	0.00	28.59	0	12:17
TRMB03044	JUNCTION	0.29	3.12	28.54	0	12:02
TRMB03044-S	JUNCTION	0.01	0.19	28.73	0	12:30
TRMB03049	JUNCTION	0.22	4.20	28.95	0	11:58
TRMB03049-S	JUNCTION	0.00	0.00	29.22	0	00:00
TRMB03051	JUNCTION	0.29	2.81	28.14	0	12:01
TRMB03051-S	JUNCTION	0.00	0.00	28.14	0	11:29
TRMB03052	JUNCTION	0.06	1.33	28.36	0	12:01
TRMB03052-S	JUNCTION	0.00	0.00	28.36	0	00:00
TRMB03054	JUNCTION	0.46	2.93	28.37	0	12:00
TRMB03054-S	JUNCTION	0.00	0.06	28.43	0	12:30
TRMB03055	JUNCTION	0.48	2.72	28.22	0	12:00
TRMB03055-S	JUNCTION	0.01	0.14	28.36	0	12:30
TRMB03063	JUNCTION	0.20	0.76	28.76	0	12:30
TRMB03063-S	JUNCTION	0.02	0.19	31.26	0	12:30
TRMB03065	JUNCTION	0.58	2.54	5.07	0	12:30
TRMB03065-S	JUNCTION	0.00	0.00	14.00	0	12:24
TRMB03067	JUNCTION	0.05	0.12	18.26	0	12:06
TRMB03067-S	JUNCTION	0.00	0.01	20.66	0	12:47
TRMB03068	JUNCTION	0.14	0.63	5.46	0	12:31
TRMB03068-S	JUNCTION	0.02	0.15	15.53	0	12:28
TRMB03069	JUNCTION	0.53	2.12	5.52	0	12:30
TRMB03069-S	JUNCTION	0.00	0.11	14.34	0	12:30
TRMB03070	JUNCTION	0.53	2.35	6.93	0	12:30
TRMB03070-S	JUNCTION	0.00	0.00	14.14	0	12:30
TRMB03072	JUNCTION	0.42	1.59	10.57	0	12:30
TRMB03072-S	JUNCTION	0.00	0.00	18.10	0	00:00
TRMB03073	JUNCTION	0.10	0.34	16.90	0	12:30
TRMB03073-S	JUNCTION	0.01	0.08	19.47	0	12:30
TRMB03083	JUNCTION	0.59	3.32	13.10	0	12:31
TRMB03083-S	JUNCTION	0.00	0.00	18.62	0	00:00
TRMB03084	JUNCTION	0.41	1.60	10.60	0	12:30
TRMB03084-S	JUNCTION	0.00	0.02	17.97	0	12:30
TRMB03087	JUNCTION	0.99	5.35	15.25	0	12:31
TRMB03087-S	JUNCTION	0.02	0.32	16.59	0	12:32
TRMB03088	JUNCTION	0.44	1.69	23.23	0	12:31
TRMB03088-S	JUNCTION	0.00	0.00	29.85	0	00:00
TRMB03089	JUNCTION	0.39	1.45	23.99	0	12:30
TRMB03089-S	JUNCTION	0.00	0.00	29.82	0	00:00
TRMB03090	JUNCTION	0.96	3.42	25.78	0	12:30
TRMB03090-S	JUNCTION	0.03	0.72	29.66	0	12:32
TRMB03091	JUNCTION	0.41	1.45	27.89	0	12:30
TRMB03091-S	JUNCTION	0.01	0.22	34.04	0	12:30
TRMB03092	JUNCTION	0.12	0.38	30.26	0	12:30
TRMB03092-S	JUNCTION	0.01	0.11	31.78	0	12:30
TRMB03094	JUNCTION	0.43	1.49	29.58	0	12:30
TRMB03094-S	JUNCTION	0.02	0.30	35.22	0	12:30
TRMB03095	JUNCTION	0.03	0.21	32.26	0	12:30
TRMB03095-S	JUNCTION	0.00	0.06	34.98	0	12:30
TRMB03096	JUNCTION	0.54	1.73	29.88	0	12:30
TRMB03096-S	JUNCTION	0.01	0.21	36.57	0	12:30
TRMB03097	JUNCTION	0.17	0.44	34.80	0	12:30
TRMB03097-S	JUNCTION	0.02	0.17	40.45	0	12:29
TRMB03101	JUNCTION	0.03	0.06	32.56	0	13:14
TRMB03101-S	JUNCTION	0.00	0.00	37.20	0	17:33
TRMB03102	JUNCTION	0.31	0.88	30.15	0	12:30
TRMB03102-S	JUNCTION	0.02	0.31	37.99	0	12:30
TRMB03103	JUNCTION	0.25	0.63	33.64	0	12:30
TRMB03103-S	JUNCTION	0.03	0.28	41.32	0	12:30
TRMB03111	JUNCTION	0.23	0.51	35.71	0	12:30
TRMB03111-S	JUNCTION	0.05	0.32	42.55	0	12:29

Future Conditions (10-Year)

TRMB03132	JUNCTION	0.16	0.50	13.50	0	12:30
TRMB03132-S	JUNCTION	0.01	0.13	23.80	0	12:30
TRMB04089	JUNCTION	0.60	1.49	49.46	0	12:31
TRMB04089-S	JUNCTION	0.19	0.70	61.47	0	12:30
TRMB04265-S	JUNCTION	0.00	0.00	59.86	0	00:00
TRMB05002	JUNCTION	0.39	1.38	39.57	0	12:30
TRMB05002-S	JUNCTION	0.00	0.00	43.94	0	00:00
TRMB05003	JUNCTION	1.09	3.44	42.86	0	12:30
TRMB05003-S	JUNCTION	0.00	0.00	47.22	0	14:20
TRMB05004	JUNCTION	1.02	3.39	42.89	0	12:31
TRMB05004-S	JUNCTION	0.00	0.00	46.49	0	13:05
TRMB05005	JUNCTION	0.65	2.90	42.90	0	12:30
TRMB05005-S	JUNCTION	0.00	0.02	48.16	0	12:30
TRMB05006	JUNCTION	1.03	4.04	44.80	0	12:30
TRMB05006-S	JUNCTION	0.00	0.00	49.36	0	14:20
TRMB05008	JUNCTION	0.16	1.22	44.90	0	12:30
TRMB05008-S	JUNCTION	0.00	0.02	47.60	0	12:30
TRMB05009	JUNCTION	0.78	2.40	47.41	0	12:34
TRMB05009_DS	JUNCTION	0.78	2.48	46.31	0	12:30
TRMB05009_DS-S	JUNCTION	0.00	0.01	50.93	0	13:55
TRMB05009-S	JUNCTION	0.01	0.09	51.60	0	12:38
TRMB05010	JUNCTION	0.09	0.26	46.44	0	12:30
TRMB05010-S	JUNCTION	0.00	0.06	49.29	0	12:30
TRMB05011	JUNCTION	0.09	0.25	47.16	0	12:30
TRMB05011-S	JUNCTION	0.00	0.00	49.81	0	13:09
TRMB05012	JUNCTION	0.28	0.79	47.60	0	12:30
TRMB05012-S	JUNCTION	0.00	0.02	49.73	0	12:29
TRMB05013	JUNCTION	0.04	0.10	49.06	0	12:30
TRMB05013-S	JUNCTION	0.00	0.01	51.07	0	12:30
TRMB05014	JUNCTION	0.07	0.21	48.82	0	12:30
TRMB05014-S	JUNCTION	0.00	0.04	51.25	0	12:30
TRMB05015	JUNCTION	1.01	3.15	49.20	0	12:31
TRMB05015-S	JUNCTION	0.02	0.21	54.86	0	12:08
TRMB05016	JUNCTION	0.17	0.56	50.97	0	12:29
TRMB05016-S	JUNCTION	0.00	0.06	54.47	0	12:30
TRMB05017	JUNCTION	0.97	3.09	49.32	0	12:31
TRMB05017_US	JUNCTION	0.82	2.33	49.41	0	12:30
TRMB05017_US-S	JUNCTION	0.14	0.75	58.92	0	12:07
TRMB05017-S	JUNCTION	0.05	0.29	55.97	0	12:37
TRMB05018	JUNCTION	0.06	0.30	50.64	0	12:30
TRMB05018-S	JUNCTION	0.00	0.05	54.54	0	12:30
TRMB05019	JUNCTION	0.52	2.27	52.89	0	12:01
TRMB05019-S	JUNCTION	0.00	0.00	54.12	0	12:38
TRMB05020	JUNCTION	0.06	0.23	51.01	0	12:25
TRMB05020-S	JUNCTION	0.00	0.00	54.28	0	12:10
TRMB05021	JUNCTION	0.46	2.71	54.18	0	12:28
TRMB05021-S	JUNCTION	0.00	0.00	54.67	0	11:46
TRMB05022	JUNCTION	0.28	0.72	50.82	0	12:30
TRMB05022-S	JUNCTION	0.00	0.01	54.41	0	12:30
TRMB05023	JUNCTION	0.06	0.22	51.63	0	12:31
TRMB05023-S	JUNCTION	0.06	0.21	51.62	0	12:32
TRMB05025	JUNCTION	0.07	0.32	53.52	0	11:54
TRMB05025-S	JUNCTION	0.09	0.75	55.95	0	11:54
TRMB05026	JUNCTION	0.08	0.25	50.30	0	12:30
TRMB05026-S	JUNCTION	0.00	0.00	52.70	0	00:00
TRMB05027	JUNCTION	0.08	0.36	53.06	0	11:52
TRMB05027-S	JUNCTION	0.11	0.75	55.49	0	11:52
TRMB05028	JUNCTION	0.51	3.22	55.16	0	12:28
TRMB05028-S	JUNCTION	0.00	0.00	55.44	0	12:30
TRMB05029	JUNCTION	0.35	2.58	54.20	0	12:26
TRMB05029-S	JUNCTION	0.00	0.01	54.83	0	12:29
TRMB05030	JUNCTION	0.29	2.75	55.19	0	12:15

Future Conditions (10-Year)

TRMB05030-S	JUNCTION	0.00	0.00	55.19	0	12:46
TRMB05031	JUNCTION	0.22	2.02	55.32	0	11:57
TRMB05031-S	JUNCTION	0.01	0.20	55.52	0	12:30
TRMB05032	JUNCTION	0.26	2.40	55.36	0	11:58
TRMB05032-S	JUNCTION	0.00	0.01	55.37	0	12:30
TRMB05033	JUNCTION	0.40	2.75	55.19	0	11:58
TRMB05033-S	JUNCTION	0.01	0.10	55.29	0	12:29
TRMB05034	JUNCTION	0.28	2.38	55.49	0	12:29
TRMB05034-S	JUNCTION	0.00	0.07	55.58	0	12:30
TRMB05035	JUNCTION	0.11	0.30	53.05	0	12:30
TRMB05035-S	JUNCTION	0.00	0.00	55.85	0	17:37
TRMB05036	JUNCTION	0.22	0.68	53.83	0	12:30
TRMB05036-S	JUNCTION	0.00	0.00	55.50	0	12:45
TRMB05037	JUNCTION	0.09	0.28	54.28	0	12:30
TRMB05037-S	JUNCTION	0.00	0.02	55.72	0	12:29
TRMB05038	JUNCTION	0.18	0.57	53.92	0	12:30
TRMB05038-S	JUNCTION	0.00	0.01	55.71	0	12:29
TRMB05039	JUNCTION	0.14	0.51	54.01	0	12:30
TRMB05039-S	JUNCTION	0.00	0.01	55.53	0	12:29
TRMB05040	JUNCTION	0.32	0.98	49.82	0	12:30
TRMB05040-S	JUNCTION	0.00	0.03	55.92	0	12:30
TRMB05041	JUNCTION	0.36	1.31	48.21	0	12:30
TRMB05041-S	JUNCTION	0.00	0.03	52.28	0	12:30
TRMB05042	JUNCTION	0.47	1.21	50.90	0	12:30
TRMB05042-S	JUNCTION	0.00	0.06	52.40	0	12:30
TRMB05043	JUNCTION	0.08	0.27	46.64	0	12:30
TRMB05043-S	JUNCTION	0.00	0.00	52.86	0	00:00
TRMB05044	JUNCTION	0.11	0.42	47.99	0	12:30
TRMB05044-S	JUNCTION	0.00	0.00	51.12	0	12:29
TRMB05045	JUNCTION	0.38	1.30	47.98	0	12:30
TRMB05045-S	JUNCTION	0.00	0.04	52.52	0	12:00
TRMB05046	JUNCTION	0.34	1.30	44.57	0	12:30
TRMB05046-S	JUNCTION	0.00	0.00	47.67	0	20:14
TRMB05047	JUNCTION	1.16	1.50	43.02	0	08:14
TRMB05048	JUNCTION	0.27	0.81	43.63	0	12:31
TRMB05048-S	JUNCTION	0.00	0.00	48.28	0	00:00
PCTB01066	OUTFALL	0.32	0.92	18.89	0	12:29
PCTB02009	OUTFALL	0.89	1.36	23.13	0	13:59
PCTB02081	OUTFALL	6.98	6.98	23.81	0	23:45
TRMB02001	OUTFALL	0.50	1.53	1.18	0	12:30
TRMB03012	OUTFALL	0.44	1.63	8.81	0	12:30
TRMB03066	OUTFALL	0.56	2.31	2.31	0	12:30
TRMB05001	OUTFALL	0.34	0.94	24.54	0	12:30

Node Inflow Summary

Total Inflow Volume gal	Flow Balance Error Percent	Type	Maximum Lateral Inflow CFS	Maximum Total Inflow CFS	Time of Max Occurrence days hr:min	Lateral Inflow Volume 10^6 gal	10^6
----------------------------	-------------------------------	------	-------------------------------	-----------------------------	---------------------------------------	-----------------------------------	------

Future Conditions (10-Year)

CountrySideE_Ditch_Culvert_In	JUNCTION	0.00	21.84	0	12:30	0
7.43 1.700						
CountrySideE_Ditch_Culvert_In-S	JUNCTION	35.92	35.92	0	12:30	5.33
5.33 -0.230						
JMTB01003	JUNCTION	0.00	27.95	0	13:01	0
6.08 0.099						
JMTB01003-S	JUNCTION	15.61	15.61	0	12:30	2.6
2.6 -0.091						
JMTB01004	JUNCTION	0.00	7.89	0	11:57	0
2.52 0.054						
JMTB01004-S	JUNCTION	0.00	5.10	0	12:25	0
0.444 -0.000						
JMTB01005	JUNCTION	0.00	8.51	0	13:01	0
2.58 0.139						
JMTB01005-S	JUNCTION	0.00	0.99	0	12:25	0
0.06 0.001						
JMTB01006	JUNCTION	0.00	16.54	0	11:56	0
5.63 2.103						
JMTB01006-S	JUNCTION	77.22	77.22	0	12:30	8.5
8.5 0.021						
JMTB01102	JUNCTION	0.00	7.34	0	13:00	0
1.58 0.029						
JMTB01102-S	JUNCTION	8.57	8.57	0	13:00	1.63
1.63 -0.465						
JMTB01103	JUNCTION	0.00	10.64	0	13:00	0
1.98 0.107						
JMTB01103-S	JUNCTION	0.00	1.27	0	13:00	0
0.0559 -0.537						
JMTB01104	JUNCTION	0.00	2.08	0	12:30	0
0.346 -0.177						
JMTB01104-S	JUNCTION	2.12	2.12	0	12:30	0.335
0.335 -3.863						
JMTB01105	JUNCTION	0.00	19.29	0	13:00	0
3.98 0.136						
JMTB01105-S	JUNCTION	12.75	12.75	0	12:59	2.21
2.21 -0.544						
PCTB01068	JUNCTION	0.00	16.97	0	12:23	0
1.77 0.107						
PCTB01068_US	JUNCTION	0.00	8.66	0	12:22	0
1.33 0.031						
PCTB01068_US-S	JUNCTION	22.35	22.35	0	12:30	1.8
1.8 -0.629						
PCTB01068-S	JUNCTION	0.00	9.85	0	12:22	0
0.434 -0.110						
PCTB02001	JUNCTION	0.00	12.58	0	12:39	0
2.79 4.674						
PCTB02001-S	JUNCTION	6.32	6.32	0	12:30	1.06
1.06 -1.371						
PCTB02002	JUNCTION	0.00	6.30	0	12:38	0
1.66 0.044						
PCTB02002-S	JUNCTION	0.00	0.00	0	00:00	0
0 0.000 gal						
PCTB02003	JUNCTION	0.00	8.66	0	12:09	0
1.95 0.338						
PCTB02003-S	JUNCTION	0.00	21.56	0	12:30	0
2.76 -0.083						
PCTB02004	JUNCTION	0.00	12.75	0	12:47	0
3.19 0.451						
PCTB02004-S	JUNCTION	29.03	29.03	0	12:30	4.83
4.83 -0.204						
PCTB02005	JUNCTION	12.05	15.67	0	13:27	2.29
3.12 0.399						

Future Conditions (10-Year)

PCTB02008	JUNCTION	0.00	36.37	0	13:57	0
7.9 0.622						
PCTB02011	JUNCTION	0.00	20.88	0	13:57	0
4.79 0.236						
PCTB02011-S	JUNCTION	0.00	2.10	0	12:27	0
0.119 -0.007						
PCTB02012	JUNCTION	0.00	19.44	0	14:38	0
4.7 0.690						
PCTB02012-S	JUNCTION	11.66	11.66	0	12:59	2.01
2.01 -0.600						
PCTB02014	JUNCTION	0.00	16.36	0	15:45	0
2.84 2.016						
PCTB02014-S	JUNCTION	0.00	9.34	0	13:53	0
0.182 0.608						
PCTB02015	JUNCTION	0.00	12.97	0	13:22	0
2.87 7.865						
PCTB02015-S	JUNCTION	0.00	4.36	0	14:05	0
0.183 -0.182						
PCTB02016	JUNCTION	0.00	4.36	0	15:17	0
0.847 0.599						
PCTB02016-S	JUNCTION	0.00	0.00	0	00:00	0
0 0.000 gal						
PCTB02017	JUNCTION	0.00	4.37	0	15:15	0
0.847 0.766						
PCTB02017-S	JUNCTION	0.00	0.00	0	00:00	0
0 0.000 gal						
PCTB02022	JUNCTION	0.00	5.30	0	12:33	0
1.2 0.011						
PCTB02022-S	JUNCTION	9.60	9.60	0	12:30	1.54
1.54 -0.454						
PCTB02023	JUNCTION	0.00	8.37	0	12:35	0
1.18 0.338						
PCTB02023-S	JUNCTION	0.00	4.30	0	12:30	0
0.343 -1.466						
PCTB02075	JUNCTION	0.00	396.55	0	00:05	0
20.1 0.875						
PCTB02076	JUNCTION	0.00	369.80	0	00:05	0
19.9 0.642						
PCTB02080	JUNCTION	0.00	677.34	0	00:04	0
91.3 0.566						
PCTB02159	JUNCTION	0.00	335.71	0	00:05	0
19.8 0.453						
PCTB02160	JUNCTION	0.00	303.68	0	00:05	0
19.7 0.866						
PCTB02189	JUNCTION	0.00	17.73	0	00:03	0
2.06 0.301						
PCTB02189-S	JUNCTION	36.20	36.20	0	12:30	5.4
5.4 0.001						
PCTB02191	JUNCTION	0.00	46.54	0	12:31	0
24.5 0.030						
PCTB02191_DS	JUNCTION	0.00	383.86	0	00:02	0
88.6 0.464						
PCTB02191_DS-S	JUNCTION	0.00	36.05	0	12:31	0
10.1 0.051						
PCTB02191-S	JUNCTION	0.00	28.87	0	12:31	0
3.34 0.003						
PCTB02207	JUNCTION	0.00	66.78	0	00:12	0
15 1.142						
PCTB02207-S	JUNCTION	0.00	0.00	0	00:00	0
0 0.000 gal						
PCTB02209	JUNCTION	0.00	50.99	0	13:31	0
14.8 1.070						

Future Conditions (10-Year)

PCTB02209-S	JUNCTION	0.00	0.00	0	00:00	0
0 0.000 gal						
PCTB02220	JUNCTION	0.00	240.48	0	00:06	0
19.6 1.123						
PCTB02229	JUNCTION	0.00	244.84	0	00:06	0
19.3 0.607						
PCTB02229-S	JUNCTION	0.00	0.00	0	00:00	0
0 0.000 gal						
PCTB02231	JUNCTION	0.00	147.50	0	00:06	0
19.2 0.643						
PCTB02231-S	JUNCTION	0.00	0.00	0	00:00	0
0 0.000 gal						
PCTB02233	JUNCTION	0.00	0.00	0	00:00	0
0 0.000 gal						
PCTB02235	JUNCTION	0.00	106.41	0	00:08	0
19.1 0.500						
PCTB02235-S	JUNCTION	29.88	29.88	0	12:30	4.42
4.42 -0.298						
PCTB02237	JUNCTION	0.00	92.19	0	00:10	0
16.6 1.551						
PCTB02237-S	JUNCTION	0.00	8.36	0	12:05	0
1.32 -0.001						
PCTB02257	JUNCTION	0.00	29.94	0	13:13	0
9.47 0.221						
PCTB02257_1	JUNCTION	0.00	51.04	0	13:30	0
14.5 0.374						
PCTB02257_1-S	JUNCTION	10.87	10.87	0	12:30	1.67
1.67 -0.885						
PCTB02257-S	JUNCTION	0.00	29.22	0	12:30	0
3.41 -0.073						
PCTB02260	JUNCTION	0.00	51.03	0	13:31	0
14.5 0.292						
PCTB02260-S	JUNCTION	0.00	0.00	0	00:00	0
0 0.000 gal						
PCTB02262	JUNCTION	0.00	51.02	0	13:31	0
14.7 1.019						
PCTB02262-S	JUNCTION	0.00	0.00	0	00:00	0
0 0.000 gal						
PCTB02275	JUNCTION	0.00	17.10	0	13:30	0
3.89 0.468						
PCTB02275-S	JUNCTION	0.00	6.71	0	12:30	0
0.6 -0.938						
PCTB02276	JUNCTION	0.00	12.17	0	16:34	0
3.27 0.592						
PCTB02276-S	JUNCTION	0.00	0.00	0	00:00	0
0 0.000 gal						
PCTB02278	JUNCTION	0.00	20.40	0	14:42	0
3.27 3.085						
PCTB02278-S	JUNCTION	0.00	7.82	0	14:33	0
0.00882 31.275						
PCTB02280	JUNCTION	0.00	18.92	0	12:57	0
10 0.013						
PCTB02280-S	JUNCTION	0.00	26.45	0	12:31	0
7.97 0.193						
PCTB02281	JUNCTION	0.00	9.62	0	12:14	0
3.45 0.054						
PCTB02281-S	JUNCTION	0.00	9.92	0	12:13	0
2.8 0.177						
PCTB02282	JUNCTION	0.00	6.22	0	12:32	0
2.91 0.035						
PCTB02282-S	JUNCTION	5.29	5.29	0	12:30	0.807
0.807 0.009						

Future Conditions (10-Year)

PCTB02283	JUNCTION	0.00	6.96	0	12:32	0
2.97 0.022						
PCTB02283-S	JUNCTION	0.00	0.74	0	12:32	0
0.0549 -11.223						
PCTB02284	JUNCTION	0.00	3.22	0	00:13	0
0.000839 75.208						
PCTB02284-S	JUNCTION	0.00	0.00	0	00:00	0
0 0.000 gal						
PCTB02292	JUNCTION	0.00	255.34	0	00:13	0
44.2 1.558						
PCTB02292-S	JUNCTION	17.61	25.84	0	12:30	2.78
7.92 0.033						
PCTB02294	JUNCTION	0.00	279.24	0	00:11	0
51.1 0.997						
PCTB02294-S	JUNCTION	10.25	20.37	0	12:30	1.62
7.99 0.074						
PCTB02295	JUNCTION	0.00	283.01	0	00:11	0
58.9 0.148						
PCTB02295-S	JUNCTION	0.00	32.74	0	12:30	0
15.8 0.023						
PCTB02297	JUNCTION	0.00	4.76	0	12:39	0
0.934 0.307						
PCTB02297-S	JUNCTION	6.90	6.90	0	12:30	1.07
1.07 -0.071						
PCTB02302	JUNCTION	0.00	111.92	0	00:13	0
33.4 0.301						
PCTB02302-S	JUNCTION	0.00	7.11	0	00:22	0
0.592 0.973						
PCTB02303	JUNCTION	0.00	62.94	0	00:25	0
34.3 0.042						
PCTB02303-S	JUNCTION	14.48	14.48	0	12:30	2.42
2.42 -0.015						
PCTB02304	JUNCTION	0.00	71.06	0	12:58	0
36.5 0.028						
PCTB02304-S	JUNCTION	14.44	20.67	0	12:30	2.38
3.18 -0.327						
PCTB02312	JUNCTION	0.00	178.25	0	00:12	0
35.3 0.750						
PCTB02312-S	JUNCTION	0.00	7.46	0	00:22	0
0.0746 14.461						
PCTB02329	JUNCTION	0.00	6.29	0	12:38	0
1.66 0.093						
PCTB02329-S	JUNCTION	0.00	0.13	0	12:37	0
0.0031 -11.907						
PCTB02330	JUNCTION	0.00	6.17	0	12:39	0
1.65 0.109						
PCTB02330-S	JUNCTION	0.00	2.81	0	12:36	0
0.145 0.002						
PCTB02331	JUNCTION	0.00	7.19	0	12:37	0
1.82 0.062						
PCTB02331-S	JUNCTION	10.05	10.05	0	12:30	1.61
1.61 -1.006						
PCTB02332	JUNCTION	0.00	2.64	0	13:28	0
0.601 0.367						
PCTB02332-S	JUNCTION	0.00	0.00	0	00:00	0
0 0.000 gal						
TRMB02002	JUNCTION	0.00	53.27	0	12:29	0
4.58 -0.005						
TRMB02002-S	JUNCTION	4.14	4.14	0	12:00	0.208
0.208 -17.546						
TRMB02003	JUNCTION	0.00	50.45	0	12:30	0
4.37 0.306						

Future Conditions (10-Year)

TRMB02003-S	JUNCTION	0.00	7.38	0	12:00	0
0.123 -3.324						
TRMB02006	JUNCTION	0.00	44.25	0	12:30	0
4.24 0.044						
TRMB02006-S	JUNCTION	0.00	10.74	0	12:00	0
0.232 -2.912						
TRMB02009	JUNCTION	0.00	39.79	0	12:16	0
4.1 0.003						
TRMB02009-S	JUNCTION	15.83	15.83	0	12:00	0.76
0.759 -1.213						
TRMB02012	JUNCTION	0.00	35.20	0	12:23	0
3.58 0.033						
TRMB02012-S	JUNCTION	0.00	0.29	0	12:00	0
0.00644 -21.600						
TRMB02015	JUNCTION	0.00	34.96	0	12:18	0
3.57 0.024						
TRMB02015-S	JUNCTION	0.00	12.55	0	12:16	0
0.205 -1.809						
TRMB02016	JUNCTION	0.00	26.28	0	12:22	0
3.38 0.032						
TRMB02016-S	JUNCTION	7.73	19.72	0	12:10	0.351
0.595 -3.105						
TRMB02018	JUNCTION	0.00	19.46	0	12:51	0
2.97 0.045						
TRMB02018-S	JUNCTION	7.96	18.68	0	12:10	0.363
0.588 -3.174						
TRMB02022	JUNCTION	0.00	34.20	0	12:29	0
3.21 0.108						
TRMB02022-S	JUNCTION	2.89	21.28	0	12:01	0.136
0.572 -3.923						
TRMB02023	JUNCTION	0.00	8.49	0	12:01	0
0.777 0.002						
TRMB02023-S	JUNCTION	6.69	6.69	0	11:59	0.313
0.313 -4.063						
TRMB02030	JUNCTION	0.00	9.26	0	12:30	0
0.587 0.018						
TRMB02030-S	JUNCTION	0.00	0.24	0	12:01	0
0.00372 -9.978						
TRMB02032	JUNCTION	0.00	9.08	0	12:30	0
0.583 0.054						
TRMB02032-S	JUNCTION	0.00	0.13	0	12:30	0
0.00128 -2.062						
TRMB02033	JUNCTION	0.00	8.97	0	11:58	0
0.582 0.004						
TRMB02033-S	JUNCTION	0.00	3.10	0	12:30	0
0.0479 -0.522						
TRMB02034	JUNCTION	0.00	8.66	0	12:30	0
0.581 0.021						
TRMB02034-S	JUNCTION	0.00	7.64	0	12:30	0
0.162 -2.064						
TRMB02035	JUNCTION	0.00	4.87	0	12:30	0
0.477 -0.030						
TRMB02035-S	JUNCTION	12.51	12.51	0	12:29	0.634
0.634 -0.702						
TRMB02044	JUNCTION	0.00	17.05	0	11:54	0
1.34 0.081						
TRMB02044_DS	JUNCTION	0.00	17.93	0	12:29	0
2.06 0.220						
TRMB02044_DS-S	JUNCTION	22.75	22.75	0	12:00	1.12
1.12 -1.177						
TRMB02044-S	JUNCTION	0.00	0.00	0	00:00	0
0 0.000 gal						

Future Conditions (10-Year)

TRMB02045	JUNCTION	0.00	17.03	0	11:54	0
1.34 0.076						
TRMB02045-S	JUNCTION	0.00	0.00	0	00:00	0
0 0.000 gal						
TRMB02046	JUNCTION	0.00	6.03	0	11:55	0
0.383 0.021						
TRMB02046-S	JUNCTION	0.00	0.11	0	12:27	0
0.00158 -71.981						
TRMB02047	JUNCTION	0.00	5.55	0	12:30	0
0.376 -0.180						
TRMB02047-S	JUNCTION	2.83	2.83	0	12:29	0.143
0.143 -27.018						
TRMB02048	JUNCTION	0.00	2.84	0	12:30	0
0.182 0.037						
TRMB02048-S	JUNCTION	0.00	0.09	0	12:30	0
0.00144 -73.945						
TRMB02049	JUNCTION	0.00	2.74	0	12:30	0
0.176 -0.597						
TRMB02049-S	JUNCTION	2.83	2.83	0	12:29	0.142
0.142 -19.850						
TRMB02050	JUNCTION	0.00	13.04	0	11:54	0
0.954 0.088						
TRMB02050-S	JUNCTION	0.00	0.00	0	00:00	0
0 0.000 gal						
TRMB02051	JUNCTION	0.00	12.97	0	11:54	0
0.955 0.054						
TRMB02051-S	JUNCTION	2.18	2.18	0	12:00	0.11
0.11 -34.413						
TRMB02052	JUNCTION	0.00	17.11	0	12:30	0
1 0.036						
TRMB02052-S	JUNCTION	0.00	0.03	0	12:00	0
0.000505 -82.373						
TRMB02056	JUNCTION	0.00	17.00	0	12:30	0
1 0.020						
TRMB02056-S	JUNCTION	0.00	0.94	0	12:03	0
0.0128 -1.104						
TRMB02057	JUNCTION	0.00	16.16	0	12:30	0
0.987 0.055						
TRMB02057-S	JUNCTION	0.00	5.14	0	12:01	0
0.0977 -6.254						
TRMB02060	JUNCTION	0.00	12.28	0	12:30	0
0.896 -0.031						
TRMB02060-S	JUNCTION	9.49	9.49	0	12:00	0.468
0.468 -3.537						
TRMB02063	JUNCTION	0.00	7.97	0	12:30	0
0.508 0.054						
TRMB02063-S	JUNCTION	0.00	0.00	0	00:00	0
0 0.000 gal						
TRMB02064	JUNCTION	0.00	7.98	0	12:30	0
0.509 0.060						
TRMB02064-S	JUNCTION	0.00	0.37	0	12:30	0
0.00475 -25.913						
TRMB02067	JUNCTION	0.00	7.61	0	12:30	0
0.503 0.109						
TRMB02067-S	JUNCTION	2.75	3.48	0	12:29	0.138
0.15 -19.949						
TRMB02068	JUNCTION	0.00	4.51	0	12:30	0
0.32 0.052						
TRMB02068-S	JUNCTION	3.83	3.83	0	12:29	0.192
0.192 -16.648						
TRMB02069	JUNCTION	0.00	1.43	0	12:29	0
0.101 -0.028						

Future Conditions (10-Year)

TRMB02069-S 005 -88.294	JUNCTION	0.00	0.01	0	13:30	0	7.44e-
TRMB02070 0.101 0.196	JUNCTION	0.00	1.41	0	12:29	0	
TRMB02070-S 0.071 -29.722	JUNCTION	1.41	1.41	0	12:29	0.071	
TRMB03016 2.45 0.020	JUNCTION	11.46	35.43	0	12:29	0.564	
TRMB03016-S 0 0.000 gal	JUNCTION	0.00	0.00	0	00:00	0	
TRMB03022 1.91 0.010	JUNCTION	0.00	29.80	0	12:30	0	
TRMB03022-S 0.0127 -32.038	JUNCTION	0.00	4.95	0	12:30	0	
TRMB03025 1.86 -0.011	JUNCTION	0.00	25.11	0	12:30	0	
TRMB03025-S 0.116 -32.321	JUNCTION	2.31	2.31	0	12:29	0.116	
TRMB03026 0.029 0.063	JUNCTION	0.00	0.58	0	12:30	0	
TRMB03027 0.029 0.030	JUNCTION	0.58	0.58	0	12:29	0.029	
TRMB03028 1.69 0.036	JUNCTION	0.00	23.20	0	12:34	0	
TRMB03028-S 0 0.000 gal	JUNCTION	0.00	0.00	0	00:00	0	
TRMB03029 1.69 0.017	JUNCTION	0.00	23.20	0	12:34	0	
TRMB03029-S 0 0.000 gal	JUNCTION	0.00	0.00	0	00:00	0	
TRMB03030 1.7 0.167	JUNCTION	0.00	30.88	0	12:35	0	
TRMB03030-S 0 0.000 gal	JUNCTION	0.00	0.00	0	00:00	0	
TRMB03031 1.7 0.028	JUNCTION	0.00	23.84	0	12:31	0	
TRMB03031-S 0.14 -17.179	JUNCTION	2.83	2.85	0	12:29	0.14	
TRMB03032 1.53 0.072	JUNCTION	0.00	21.24	0	12:35	0	
TRMB03032-S 0.0853 -28.297	JUNCTION	1.73	1.73	0	12:29	0.0853	
TRMB03033 0.00738 -0.039	JUNCTION	0.00	1.20	0	11:58	0	
TRMB03033-S 0.000201 -73.254	JUNCTION	0.00	0.02	0	12:30	0	
TRMB03034 0.321 -0.023	JUNCTION	0.00	5.51	0	11:58	0	
TRMB03034-S 0.0313 -14.685	JUNCTION	0.00	1.89	0	12:30	0	
TRMB03035 0.00187 -1.571	JUNCTION	0.00	3.02	0	12:01	0	
TRMB03035-S 0 0.000 gal	JUNCTION	0.00	0.00	0	00:00	0	
TRMB03036 1.41 0.078	JUNCTION	0.00	21.62	0	12:01	0	
TRMB03036-S 0.000533 -10.230	JUNCTION	0.00	0.06	0	12:30	0	
TRMB03037 0.301 -0.320	JUNCTION	0.00	4.38	0	12:30	0	
TRMB03037-S 0.313 -5.746	JUNCTION	6.28	6.28	0	12:29	0.313	

Future Conditions (10-Year)

TRMB03038	JUNCTION	0.00	1.28	0	12:02	0
0.000802	-0.670					
TRMB03038-S	JUNCTION	0.00	0.00	0	00:00	0
0	0.000 gal					
TRMB03039	JUNCTION	0.00	16.90	0	12:02	0
1.1	0.072					
TRMB03039-S	JUNCTION	0.00	2.48	0	12:30	0
0.0436	-8.969					
TRMB03042	JUNCTION	0.00	3.95	0	12:30	0
0.289	-0.164					
TRMB03042-S	JUNCTION	6.45	6.45	0	12:29	0.321
0.321	-3.295					
TRMB03043	JUNCTION	0.00	9.47	0	11:58	0
0.507	0.070					
TRMB03043-S	JUNCTION	0.00	0.04	0	12:30	0
0.00042	-20.665					
TRMB03044	JUNCTION	0.00	4.41	0	12:30	0
0.254	-0.252					
TRMB03044-S	JUNCTION	4.31	4.44	0	12:29	0.215
0.217	-14.656					
TRMB03049	JUNCTION	0.00	1.06	0	11:58	0
0.000596	-5.647					
TRMB03049-S	JUNCTION	0.00	0.00	0	00:00	0
0	0.000 gal					
TRMB03051	JUNCTION	0.00	9.68	0	11:59	0
0.553	0.044					
TRMB03051-S	JUNCTION	0.00	0.10	0	12:30	0
0.00133	-33.465					
TRMB03052	JUNCTION	0.00	2.61	0	12:01	0
0.000623	-2.747					
TRMB03052-S	JUNCTION	0.00	0.00	0	00:00	0
0	0.000 gal					
TRMB03054	JUNCTION	0.00	6.85	0	12:30	0
0.354	0.097					
TRMB03054-S	JUNCTION	0.00	2.56	0	12:30	0
0.0442	-3.293					
TRMB03055	JUNCTION	0.00	3.79	0	12:30	0
0.236	0.014					
TRMB03055-S	JUNCTION	3.91	3.91	0	12:29	0.195
0.195	-17.591					
TRMB03063	JUNCTION	0.00	4.33	0	12:30	0
0.309	-0.037					
TRMB03063-S	JUNCTION	6.90	6.90	0	12:29	0.345
0.345	-2.234					
TRMB03065	JUNCTION	0.00	71.66	0	12:30	0
4.41	0.020					
TRMB03065-S	JUNCTION	0.00	0.32	0	12:30	0
0.00262	-53.829					
TRMB03067	JUNCTION	0.00	0.99	0	12:05	0
0.0702	0.807					
TRMB03067-S	JUNCTION	0.38	0.38	0	12:29	0.02
0.02	-71.581					
TRMB03068	JUNCTION	0.00	3.85	0	12:28	0
0.361	-0.148					
TRMB03068-S	JUNCTION	7.71	7.71	0	12:29	0.408
0.408	-4.897					
TRMB03069	JUNCTION	0.00	70.98	0	12:30	0
4.34	0.015					
TRMB03069-S	JUNCTION	0.00	3.86	0	12:30	0
0.0683	-7.295					
TRMB03070	JUNCTION	0.00	63.88	0	12:30	0
3.9	0.019					

Future Conditions (10-Year)

TRMB03070-S	JUNCTION	0.00	0.67	0	12:30	0
0.00757 -42.368						
TRMB03072	JUNCTION	0.00	60.37	0	12:30	0
3.69 0.013						
TRMB03072-S	JUNCTION	0.00	0.00	0	00:00	0
0 0.000 gal						
TRMB03073	JUNCTION	0.00	2.87	0	12:30	0
0.206 -0.478						
TRMB03073-S	JUNCTION	3.32	3.32	0	12:29	0.176
0.176 -16.791						
TRMB03083	JUNCTION	0.00	55.28	0	12:31	0
3.36 0.011						
TRMB03083-S	JUNCTION	0.00	0.00	0	00:00	0
0 0.000 gal						
TRMB03084	JUNCTION	0.00	5.18	0	12:30	0
0.325 0.111						
TRMB03084-S	JUNCTION	0.00	1.58	0	12:30	0
0.0262 -29.356						
TRMB03087	JUNCTION	0.00	55.26	0	12:31	0
3.36 0.079						
TRMB03087-S	JUNCTION	6.26	6.26	0	12:29	0.335
0.335 -3.774						
TRMB03088	JUNCTION	0.00	49.67	0	12:30	0
3.02 0.043						
TRMB03088-S	JUNCTION	0.00	0.00	0	00:00	0
0 0.000 gal						
TRMB03089	JUNCTION	0.00	49.67	0	12:30	0
3.02 0.012						
TRMB03089-S	JUNCTION	0.00	0.00	0	00:00	0
0 0.000 gal						
TRMB03090	JUNCTION	0.00	49.67	0	12:30	0
3.02 0.065						
TRMB03090-S	JUNCTION	0.00	10.00	0	12:30	0
0.154 -2.448						
TRMB03091	JUNCTION	0.00	38.03	0	12:30	0
2.6 0.018						
TRMB03091-S	JUNCTION	2.15	13.41	0	12:30	0.114
0.304 -13.455						
TRMB03092	JUNCTION	0.00	3.27	0	12:30	0
0.26 -0.558						
TRMB03092-S	JUNCTION	4.58	4.58	0	12:29	0.244
0.244 -13.109						
TRMB03094	JUNCTION	0.00	33.36	0	12:30	0
2.38 0.019						
TRMB03094-S	JUNCTION	0.06	19.24	0	12:30	0.00333
0.372 -3.422						
TRMB03095	JUNCTION	0.00	2.51	0	12:30	0
0.0488 0.345						
TRMB03095-S	JUNCTION	0.01	2.51	0	12:30	0.00059
0.0368 -24.649						
TRMB03096	JUNCTION	0.00	21.30	0	12:30	0
1.72 0.040						
TRMB03096-S	JUNCTION	0.00	17.62	0	12:30	0
0.348 -1.043						
TRMB03097	JUNCTION	0.00	4.10	0	12:29	0
0.455 -0.100						
TRMB03097-S	JUNCTION	10.32	10.32	0	12:29	0.583
0.583 -2.939						
TRMB03101	JUNCTION	0.00	0.44	0	13:13	0
0.0418 1.128						
TRMB03101-S	JUNCTION	0.13	0.13	0	12:29	0.00673
0.00673 -83.892						

Future Conditions (10-Year)

TRMB03102	JUNCTION	0.00	16.55	0	12:30	0	
1.55 0.044							
TRMB03102-S	JUNCTION	1.53	23.18	0	12:30	0.0841	
0.589 -5.329							
TRMB03103	JUNCTION	0.00	11.00	0	12:30	0	
1.28 0.006							
TRMB03103-S	JUNCTION	7.89	27.00	0	12:29	0.42	
0.952 -0.907							
TRMB03111	JUNCTION	0.00	5.66	0	12:30	0	
0.82 -0.053							
TRMB03111-S	JUNCTION	24.77	24.77	0	12:29	1.35	
1.35 -0.326							
TRMB03132	JUNCTION	0.00	3.61	0	12:30	0	
0.286 -0.405							
TRMB03132-S	JUNCTION	5.19	5.19	0	12:29	0.276	
0.276 -11.856							
TRMB04089	JUNCTION	0.00	8.36	0	12:30	0	
1.9 0.067							
TRMB04089-S	JUNCTION	117.40	117.40	0	12:29	6.83	
6.83 -0.038							
TRMB04265-S	JUNCTION	1.18	1.18	0	12:29	0.0602	
0.0602 0.000							
TRMB05002	JUNCTION	0.00	77.59	0	12:30	0	
7.73 0.009							
TRMB05002-S	JUNCTION	0.00	0.00	0	00:00	0	
0 0.000 gal							
TRMB05003	JUNCTION	0.00	77.65	0	12:30	0	
7.73 -0.005							
TRMB05003-S	JUNCTION	0.00	0.01	0	11:44	0	
0.000108 -91.539							
TRMB05004	JUNCTION	0.00	0.43	0	13:08	0	
0.0421 6.858							
TRMB05004-S	JUNCTION	0.33	0.33	0	12:29	0.0166	
0.0166 -60.436							
TRMB05005	JUNCTION	0.00	1.37	0	12:30	0	
0.113 0.209							
TRMB05005-S	JUNCTION	1.38	1.38	0	12:29	0.0705	
0.0705 -37.731							
TRMB05006	JUNCTION	0.00	75.90	0	12:30	0	
7.58 0.060							
TRMB05006-S	JUNCTION	0.00	0.00	0	11:49	0	2.57e-
005 -97.705							
TRMB05008	JUNCTION	0.00	1.55	0	12:30	0	
0.14 0.611							
TRMB05008-S	JUNCTION	1.55	1.55	0	12:29	0.0794	
0.0794 -43.279							
TRMB05009	JUNCTION	0.00	67.36	0	12:29	0	
6.9 0.038							
TRMB05009_DS	JUNCTION	0.00	70.75	0	12:30	0	
7.17 0.041							
TRMB05009_DS-S	JUNCTION	0.56	0.73	0	12:29	0.0287	
0.0323 -66.902							
TRMB05009-S	JUNCTION	0.00	3.89	0	12:37	0	
0.108 -0.409							
TRMB05010	JUNCTION	0.00	3.78	0	12:30	0	
0.272 -0.437							
TRMB05010-S	JUNCTION	2.41	2.41	0	12:29	0.124	
0.124 -27.043							
TRMB05011	JUNCTION	0.00	1.37	0	12:30	0	
0.102 0.017							
TRMB05011-S	JUNCTION	0.00	0.00	0	00:00	0	
0 0.000 gal							

Future Conditions (10-Year)

TRMB05012	JUNCTION	0.00	1.37	0	12:29	0	
0.102 0.078							
TRMB05012-S	JUNCTION	1.37	1.37	0	12:29	0.0712	
0.0712 -30.459							
TRMB05013	JUNCTION	0.00	0.98	0	12:30	0	
0.091 0.811							
TRMB05013-S	JUNCTION	0.58	0.98	0	12:29	0.0295	
0.0378 -58.485							
TRMB05014	JUNCTION	0.00	1.96	0	12:30	0	
0.137 0.538							
TRMB05014-S	JUNCTION	1.56	1.96	0	12:29	0.0797	
0.0872 -36.261							
TRMB05015	JUNCTION	0.00	61.58	0	12:29	0	
6.59 0.047							
TRMB05015-S	JUNCTION	0.02	13.50	0	12:30	0.00111	
0.525 -1.759							
TRMB05016	JUNCTION	0.00	14.18	0	12:29	0	
1.01 0.014							
TRMB05016-S	JUNCTION	0.00	2.72	0	12:30	0	
0.0752 -2.324							
TRMB05017	JUNCTION	0.00	39.83	0	12:34	0	
5.18 0.067							
TRMB05017_US	JUNCTION	0.00	17.02	0	12:30	0	
3.27 0.100							
TRMB05017_US-S	JUNCTION	1.73	110.49	0	12:30	0.0884	
5.02 -0.020							
TRMB05017-S	JUNCTION	0.00	77.63	0	12:37	0	
3.48 -0.025							
TRMB05018	JUNCTION	0.00	3.27	0	12:30	0	
0.122 0.032							
TRMB05018-S	JUNCTION	0.00	2.33	0	12:30	0	
0.065 -2.156							
TRMB05019	JUNCTION	0.00	11.39	0	12:29	0	
0.91 0.035							
TRMB05019-S	JUNCTION	0.00	0.14	0	12:30	0	
0.0024 -12.917							
TRMB05020	JUNCTION	0.00	0.34	0	11:49	0	
0.027 1.086							
TRMB05020-S	JUNCTION	0.07	0.15	0	12:29	0.00334	
0.00486 -82.018							
TRMB05021	JUNCTION	0.00	11.26	0	12:27	0	
0.907 0.032							
TRMB05021-S	JUNCTION	0.00	0.01	0	13:17	0	4.02e-
005 -95.495							
TRMB05022	JUNCTION	0.00	1.02	0	12:29	0	
0.057 0.827							
TRMB05022-S	JUNCTION	0.69	0.75	0	12:29	0.0353	
0.0363 -11.337							
TRMB05023	JUNCTION	0.00	4.59	0	12:32	0	
0.0235 2.636							
TRMB05023-S	JUNCTION	0.28	4.80	0	12:36	0.0146	
0.0214 -8.804							
TRMB05025	JUNCTION	0.00	8.66	0	11:54	0	
0.597 0.077							
TRMB05025-S	JUNCTION	0.50	26.31	0	12:29	0.0257	
1.02 -2.380							
TRMB05026	JUNCTION	0.00	2.51	0	12:30	0	
0.173 -0.023							
TRMB05026-S	JUNCTION	0.00	0.00	0	00:00	0	
0 0.000 gal							
TRMB05027	JUNCTION	0.00	8.66	0	11:52	0	
0.69 0.063							

Future Conditions (10-Year)

TRMB05027-S	JUNCTION	0.32	33.27	0	12:29	0.0162
1.36 -1.474						
TRMB05028	JUNCTION	0.00	10.21	0	12:00	0
0.82 0.064						
TRMB05028-S	JUNCTION	0.07	0.33	0	12:30	0.00334
0.00677 -80.323						
TRMB05029	JUNCTION	0.00	1.18	0	13:17	0
0.0868 0.176						
TRMB05029-S	JUNCTION	1.08	1.08	0	12:29	0.0551
0.0551 -36.479						
TRMB05030	JUNCTION	0.00	3.20	0	11:57	0
0.246 0.141						
TRMB05030-S	JUNCTION	0.44	0.63	0	12:29	0.0227
0.0252 -63.121						
TRMB05031	JUNCTION	0.00	4.49	0	12:30	0
0.273 -0.351						
TRMB05031-S	JUNCTION	4.76	4.76	0	12:29	0.248
0.248 -10.232						
TRMB05032	JUNCTION	0.00	3.80	0	12:30	0
0.267 0.208						
TRMB05032-S	JUNCTION	0.96	1.10	0	12:29	0.0489
0.0507 -49.062						
TRMB05033	JUNCTION	0.00	3.20	0	12:30	0
0.205 1.192						
TRMB05033-S	JUNCTION	3.39	3.39	0	12:29	0.176
0.176 -15.104						
TRMB05034	JUNCTION	0.00	2.69	0	12:30	0
0.166 -0.772						
TRMB05034-S	JUNCTION	2.84	2.84	0	12:29	0.143
0.143 -14.899						
TRMB05035	JUNCTION	0.00	4.04	0	12:30	0
0.384 0.070						
TRMB05035-S	JUNCTION	0.04	0.05	0	12:29	0.00222
0.00234 -89.895						
TRMB05036	JUNCTION	0.00	1.85	0	12:30	0
0.18 0.356						
TRMB05036-S	JUNCTION	0.42	0.42	0	12:29	0.0217
0.0219 -69.854						
TRMB05037	JUNCTION	0.00	1.43	0	12:30	0
0.107 0.068						
TRMB05037-S	JUNCTION	1.43	1.43	0	12:29	0.0745
0.0745 -30.692						
TRMB05038	JUNCTION	0.00	2.03	0	12:30	0
0.182 0.266						
TRMB05038-S	JUNCTION	0.89	0.89	0	12:29	0.0462
0.0462 -50.563						
TRMB05039	JUNCTION	0.00	1.15	0	12:29	0
0.0885 0.239						
TRMB05039-S	JUNCTION	1.15	1.15	0	12:29	0.0595
0.0596 -32.732						
TRMB05040	JUNCTION	0.00	5.81	0	12:30	0
0.521 0.100						
TRMB05040-S	JUNCTION	1.90	1.90	0	12:29	0.0993
0.0993 -27.995						
TRMB05041	JUNCTION	0.00	7.54	0	12:30	0
0.656 0.130						
TRMB05041-S	JUNCTION	1.67	1.76	0	12:29	0.0868
0.088 -35.293						
TRMB05042	JUNCTION	0.00	2.51	0	12:30	0
0.173 0.019						
TRMB05042-S	JUNCTION	2.51	2.51	0	12:29	0.129
0.129 -25.138						

Future Conditions (10-Year)

TRMB05043	JUNCTION	0.00	2.51	0	12:30	0
0.173	0.039					
TRMB05043-S	JUNCTION	0.00	0.00	0	00:00	0
0	0.000 gal					
TRMB05044	JUNCTION	0.00	0.71	0	11:08	0
0.0716	0.717					
TRMB05044-S	JUNCTION	0.62	0.65	0	12:29	0.0325
0.0332	-53.638					
TRMB05045	JUNCTION	0.00	10.10	0	12:30	0
0.884	0.143					
TRMB05045-S	JUNCTION	2.17	2.17	0	12:00	0.104
0.104	-34.998					
TRMB05046	JUNCTION	0.00	10.15	0	12:30	0
0.89	0.062					
TRMB05046-S	JUNCTION	0.00	0.04	0	12:00	0
0.000753	-88.846					
TRMB05047	JUNCTION	2.69	12.75	0	12:30	0.14
1.03	0.000					
TRMB05048	JUNCTION	0.00	10.10	0	12:30	0
0.889	0.026					
TRMB05048-S	JUNCTION	0.00	0.00	0	00:00	0
0	0.000 gal					
PCTB01066	OUTFALL	0.00	16.91	0	12:29	0
1.77	0.000					
PCTB02009	OUTFALL	101.94	126.40	0	12:59	13.7
21.6	0.000					
PCTB02081	OUTFALL	0.00	677.34	0	00:04	0
73.3	0.000					
TRMB02001	OUTFALL	0.00	53.26	0	12:30	0
4.58	0.000					
TRMB03012	OUTFALL	0.00	35.42	0	12:30	0
2.45	0.000					
TRMB03066	OUTFALL	0.00	71.62	0	12:30	0
4.41	0.000					
TRMB05001	OUTFALL	0.00	77.58	0	12:30	0
7.73	0.000					

Node Surcharge Summary

Surcharging occurs when water rises above the top of the highest conduit.

Node	Type	Hours Surcharged	Max. Height Above Crown Feet	Min. Depth Below Rim Feet
JMTB01003	JUNCTION	11.76	0.000	0.000
JMTB01003-S	JUNCTION	1.58	0.000	0.000
JMTB01004	JUNCTION	11.89	0.478	0.041
JMTB01005	JUNCTION	11.86	0.260	0.000
JMTB01006	JUNCTION	7.80	0.000	0.000
JMTB01006-S	JUNCTION	10.51	0.000	0.000
JMTB01103	JUNCTION	1.20	0.059	1.091
JMTB01104	JUNCTION	5.45	0.655	1.205
JMTB01105-S	JUNCTION	3.44	0.000	0.000
PCTB01068_US-S	JUNCTION	0.57	0.000	0.000
PCTB02003-S	JUNCTION	4.37	0.000	0.000
PCTB02012-S	JUNCTION	1.32	0.000	0.000
PCTB02022	JUNCTION	12.19	1.190	0.000
PCTB02023	JUNCTION	12.01	0.870	0.000

Future Conditions (10-Year)

PCTB02189	JUNCTION	23.69	1.690	0.000
PCTB02191	JUNCTION	23.70	2.090	0.000
PCTB02191_DS-S	JUNCTION	23.63	0.000	0.000
PCTB02235-S	JUNCTION	3.76	0.000	0.000
PCTB02237	JUNCTION	6.13	0.152	1.398
PCTB02257-S	JUNCTION	5.39	0.000	0.000
PCTB02280	JUNCTION	23.57	2.440	0.000
PCTB02280-S	JUNCTION	5.12	0.000	0.000
PCTB02281	JUNCTION	23.56	2.360	0.000
PCTB02282	JUNCTION	23.53	2.272	1.868
PCTB02283	JUNCTION	23.53	1.700	0.000
PCTB02284	JUNCTION	23.53	1.670	0.000
PCTB02295-S	JUNCTION	23.61	0.000	0.000
PCTB02297	JUNCTION	23.50	1.650	0.000
PCTB02303	JUNCTION	23.46	2.120	0.000
PCTB02304	JUNCTION	23.46	0.230	0.000
PCTB02304-S	JUNCTION	5.44	0.000	0.000
PCTB02329	JUNCTION	10.32	0.570	0.000
PCTB02330	JUNCTION	11.97	1.174	0.446
PCTB02331	JUNCTION	12.02	1.320	0.000
PCTB02332	JUNCTION	12.06	1.188	0.782
TRMB02003	JUNCTION	15.86	3.452	3.248
TRMB02006	JUNCTION	0.92	4.841	1.959
TRMB02015	JUNCTION	0.73	0.582	1.008
TRMB02015-S	JUNCTION	0.29	0.000	0.000
TRMB02016	JUNCTION	0.92	1.004	0.576
TRMB02018	JUNCTION	1.81	2.746	1.004
TRMB02022	JUNCTION	1.85	2.780	0.000
TRMB02023	JUNCTION	1.51	1.079	0.091
TRMB02030	JUNCTION	1.47	0.800	0.000
TRMB02032	JUNCTION	0.73	0.995	2.145
TRMB02033	JUNCTION	0.59	0.704	1.716
TRMB02034	JUNCTION	1.39	2.380	0.000
TRMB02035	JUNCTION	1.01	1.120	0.000
TRMB02044	JUNCTION	0.92	3.549	0.651
TRMB02044_DS	JUNCTION	2.02	6.870	0.000
TRMB02045	JUNCTION	0.97	3.079	0.881
TRMB02046	JUNCTION	0.60	1.580	0.520
TRMB02050	JUNCTION	0.99	2.588	0.562
TRMB02051	JUNCTION	1.01	1.810	0.000
TRMB02052	JUNCTION	0.99	1.550	0.000
TRMB02056	JUNCTION	0.95	1.705	0.085
TRMB02057	JUNCTION	0.93	1.666	0.134
TRMB02067	JUNCTION	0.87	1.569	2.121
TRMB02068	JUNCTION	0.70	1.613	3.677
TRMB02069	JUNCTION	0.62	1.200	4.380
TRMB02070	JUNCTION	0.60	1.085	4.545
TRMB03016-S	JUNCTION	23.75	0.000	0.000
TRMB03022	JUNCTION	0.27	0.000	0.000
TRMB03028	JUNCTION	1.06	0.933	4.377
TRMB03029	JUNCTION	0.92	0.925	2.425
TRMB03032	JUNCTION	0.93	3.093	2.267
TRMB03033	JUNCTION	0.66	1.430	0.000
TRMB03034	JUNCTION	0.68	1.770	0.000
TRMB03035	JUNCTION	0.23	2.160	0.000
TRMB03036	JUNCTION	0.94	3.702	1.848
TRMB03037	JUNCTION	0.84	1.920	0.000
TRMB03039	JUNCTION	0.83	2.981	1.579
TRMB03043	JUNCTION	0.77	2.270	0.000
TRMB03044	JUNCTION	0.67	1.620	0.000
TRMB03049	JUNCTION	0.80	2.953	0.267
TRMB03051	JUNCTION	0.64	0.810	0.000

Future Conditions (10-Year)

TRMB03052	JUNCTION	0.57	0.330	0.000
TRMB03054	JUNCTION	0.63	0.930	0.000
TRMB03055	JUNCTION	0.81	1.470	0.000
TRMB03083	JUNCTION	0.76	0.822	5.518
TRMB03084	JUNCTION	0.47	0.102	7.348
TRMB03087	JUNCTION	0.86	2.347	1.023
TRMB03090	JUNCTION	0.66	0.420	3.160
TRMB04265-S	JUNCTION	23.75	0.000	0.000
TRMB05004	JUNCTION	5.44	2.142	3.598
TRMB05005	JUNCTION	2.78	1.651	5.239
TRMB05006	JUNCTION	0.59	0.544	4.556
TRMB05017_US-S	JUNCTION	0.50	0.000	0.000
TRMB05019	JUNCTION	0.78	0.769	1.231
TRMB05021	JUNCTION	0.74	1.213	0.487
TRMB05025-S	JUNCTION	1.37	0.000	0.000
TRMB05027-S	JUNCTION	1.79	0.000	0.000
TRMB05028	JUNCTION	0.76	1.719	0.281
TRMB05029	JUNCTION	0.76	1.332	0.618
TRMB05030	JUNCTION	0.73	1.500	0.000
TRMB05031	JUNCTION	0.63	0.770	0.000
TRMB05032	JUNCTION	0.67	1.150	0.000
TRMB05033	JUNCTION	0.74	1.500	0.000
TRMB05034	JUNCTION	0.66	1.128	0.022
TRMB05047	JUNCTION	15.42	0.000	0.000

Node Flooding Summary

Flooding refers to all water that overflows a node, whether it ponds or not.

Node	Hours Flooded	Maximum Rate CFS	Time of Max Occurrence days hr:min	Total Flood Volume 10^6 gal	Maximum Ponded Depth Feet
JMTB01003	11.76	24.46	0 13:01	3.942	0.000
JMTB01003-S	1.57	1.99	0 12:30	0.056	0.000
JMTB01005	10.28	1.34	0 12:48	0.107	0.000
JMTB01006	7.73	0.99	0 13:38	0.131	0.000
JMTB01006-S	10.49	68.55	0 12:30	5.341	0.000
JMTB01105-S	3.42	4.09	0 12:59	0.216	0.000
PCTB01068_US-S	0.57	5.83	0 12:30	0.044	0.000
PCTB02003-S	4.37	12.90	0 12:30	0.814	0.000
PCTB02012-S	1.31	0.95	0 12:59	0.023	0.000
PCTB02022	10.08	3.84	0 12:33	0.631	0.000
PCTB02023	8.70	8.37	0 12:35	0.835	0.000
PCTB02189	0.01	15.71	0 00:03	0.001	0.000
PCTB02191	23.63	46.54	0 12:31	24.490	0.000
PCTB02191_DS-S	23.63	36.05	0 12:31	10.088	0.000
PCTB02235-S	3.75	13.73	0 12:30	0.682	0.000
PCTB02257-S	5.38	20.56	0 12:30	1.391	0.000
PCTB02280	23.50	18.92	0 12:57	10.006	0.000
PCTB02280-S	5.10	12.32	0 12:34	0.836	0.000
PCTB02281	12.05	4.38	0 12:14	1.049	0.000
PCTB02283	23.49	6.96	0 12:32	2.965	0.000
PCTB02284	0.01	2.68	0 00:13	0.000	0.000
PCTB02295-S	23.61	32.74	0 12:30	15.744	0.000
PCTB02297	7.46	2.64	0 12:39	0.279	0.000
PCTB02303	0.01	21.29	0 00:14	0.000	0.000
PCTB02304	23.44	71.01	0 12:56	36.527	0.000

Future Conditions (10-Year)

PCTB02304-S	5.44	12.01	0	12:30	0.905	0.000
PCTB02329	0.46	0.06	0	13:17	0.000	0.000
PCTB02331	2.07	1.42	0	13:08	0.052	0.000
TRMB02015-S	0.29	3.89	0	12:16	0.017	0.000
TRMB02022	1.44	21.59	0	12:29	0.594	0.000
TRMB02030	1.06	5.09	0	12:01	0.101	0.000
TRMB02034	0.87	2.67	0	12:30	0.046	0.000
TRMB02035	0.90	0.74	0	12:30	0.013	0.000
TRMB02044_DS	0.01	0.23	0	11:54	0.000	0.000
TRMB02051	0.01	0.64	0	11:55	0.000	0.000
TRMB02052	0.85	12.55	0	12:30	0.215	0.000
TRMB03022	0.27	3.34	0	12:30	0.010	0.000
TRMB03033	0.55	0.76	0	11:58	0.007	0.000
TRMB03034	0.01	0.21	0	11:58	0.000	0.000
TRMB03035	0.01	2.63	0	12:02	0.000	0.000
TRMB03037	0.62	1.22	0	12:29	0.017	0.000
TRMB03043	0.01	2.24	0	11:58	0.000	0.000
TRMB03044	0.01	0.14	0	12:02	0.000	0.000
TRMB03051	0.56	3.93	0	12:30	0.046	0.000
TRMB03052	0.01	2.49	0	12:01	0.000	0.000
TRMB03054	0.01	4.12	0	12:00	0.000	0.000
TRMB03055	0.61	2.66	0	12:30	0.038	0.000
TRMB04265-S	14.99	1.18	0	12:29	0.060	0.000
TRMB05017_US-S	0.50	24.20	0	12:30	0.171	0.000
TRMB05025-S	1.37	17.65	0	12:29	0.452	0.000
TRMB05027-S	1.79	24.61	0	12:29	0.687	0.000
TRMB05030	0.02	0.01	0	12:17	0.000	0.000
TRMB05031	0.21	0.78	0	11:57	0.000	0.000
TRMB05032	0.18	0.18	0	12:29	0.000	0.000
TRMB05033	0.60	2.02	0	12:30	0.024	0.000
TRMB05047	15.42	12.75	0	12:30	1.028	0.000

 Outfall Loading Summary

Outfall Node	Flow Freq Pcnt	Avg Flow CFS	Max Flow CFS	Total Volume 10^6 gal
PCTB01066	79.44	4.42	16.91	1.767
PCTB02009	99.95	41.60	126.40	21.559
PCTB02081	100.00	109.18	677.34	73.314
TRMB02001	80.21	11.62	53.26	4.584
TRMB03012	76.93	6.88	35.42	2.452
TRMB03066	82.13	11.54	71.62	4.409
TRMB05001	79.11	19.84	77.58	7.728
System	85.39	205.09	681.95	115.814

 Link Flow Summary

Link	Type	Maximum Flow CFS	Time of Max Occurrence days hr:min	Maximum Veloc ft/sec	Max/ Full Flow	Max/ Full Depth

Future Conditions (10-Year)

C1	CONDUIT	335.71	0	00:05	7.97	0.15	0.85
C14	CONDUIT	6.30	0	12:38	4.54	1.26	1.00
C2_1	CONDUIT	33.91	0	13:37	6.91	0.39	1.00
C2_1-S	CHANNEL	23.48	0	12:31	2.12	0.09	0.69
C2_2	CONDUIT	380.43	0	00:02	4.32	0.43	0.89
C3	CHANNEL	0.63	0	12:32	0.08	0.00	0.57
C9	CONDUIT	2.51	0	12:30	3.20	0.10	0.61
C9-S	CHANNEL	0.00	0	00:00	0.00	0.00	0.01
CountrySideE_Ditch	CONDUIT	15.90	0	22:01	2.00	0.91	1.00
CountrySideE_Ditch_Culvert	CONDUIT	21.28	0	13:13	3.16	0.23	0.70
CountrySideE_Ditch_Culvert-S	CHANNEL	29.22	0	12:30	2.66	0.30	
0.80							
JMTB01003	CONDUIT	7.89	0	11:57	2.51	0.54	1.00
JMTB01003-S	CHANNEL	5.10	0	12:25	0.56	0.01	0.61
JMTB01004	CONDUIT	7.89	0	11:56	4.46	1.02	1.00
JMTB01004-S	CHANNEL	0.99	0	12:25	2.76	0.01	0.11
JMTB01005	CONDUIT	7.88	0	11:56	3.28	1.10	1.00
JMTB01005-S	CHANNEL	0.00	0	12:53	0.00	0.00	0.51
JMTB01102	CONDUIT	7.34	0	13:00	2.51	0.36	0.98
JMTB01102-S	CHANNEL	1.23	0	13:00	0.32	0.01	0.37
JMTB01103	CONDUIT	10.63	0	13:00	3.38	0.97	1.00
JMTB01103_1	CONDUIT	19.29	0	13:01	3.32	0.67	0.91
JMTB01103-S	CHANNEL	0.01	0	13:01	0.00	0.00	0.51
JMTB01104	CONDUIT	2.09	0	12:30	1.86	0.33	1.00
JMTB01104-S	CHANNEL	0.04	0	13:00	1.31	0.00	0.04
PCTB01068	CONDUIT	16.91	0	12:29	3.93	0.28	0.34
PCTB01068_US	CONDUIT	8.67	0	12:23	3.65	0.28	0.38
PCTB01068_US-S	CHANNEL	9.85	0	12:22	1.06	0.43	0.96
PCTB02001	CONDUIT	10.83	0	13:56	0.17	0.06	0.99
PCTB02002	CONDUIT	6.27	0	12:39	3.45	0.42	0.97
PCTB02002-S	CHANNEL	0.00	0	00:00	0.00	0.00	0.31
PCTB02003	CONDUIT	5.19	0	12:47	3.41	0.50	0.62
PCTB02003-S	CHANNEL	21.56	0	12:30	2.34	0.29	0.88
PCTB02008	CONDUIT	36.28	0	13:59	4.40	0.82	0.57
PCTB02011	CONDUIT	19.44	0	14:39	4.21	0.15	0.51
PCTB02011_1	CONDUIT	20.88	0	13:57	1.17	0.16	0.56
PCTB02011-S	CHANNEL	2.10	0	12:27	0.28	0.01	0.53
PCTB02014	CONDUIT	9.71	0	16:04	2.81	0.15	0.98
PCTB02014_1	CONDUIT	11.02	0	14:38	1.36	0.08	0.76
PCTB02014-S	CHANNEL	4.36	0	13:54	0.61	0.03	0.53
PCTB02016	CONDUIT	4.36	0	15:17	3.10	0.55	0.76
PCTB02016-S	CHANNEL	0.00	0	00:00	0.00	0.00	0.00
PCTB02020	CONDUIT	4.37	0	15:17	0.49	0.14	0.82
PCTB02021	CONDUIT	4.37	0	15:15	0.58	0.85	1.00
PCTB02022	CONDUIT	2.24	0	21:46	1.83	1.33	1.00
PCTB02022-S	CHANNEL	4.30	0	12:30	2.19	0.09	0.31
PCTB02023	CONDUIT	2.64	0	13:24	1.49	0.85	1.00
PCTB02023-S	CHANNEL	0.00	0	00:00	0.00	0.00	0.12
PCTB02076	CONDUIT	369.80	0	00:05	6.91	0.15	0.91
PCTB02080	CONDUIT	677.34	0	00:04	12.70	30.87	1.00
PCTB02160	CONDUIT	303.68	0	00:05	9.59	0.66	0.83
PCTB02172	CONDUIT	396.55	0	00:05	5.88	0.10	0.97
PCTB02189	CONDUIT	17.73	0	00:03	3.98	0.61	1.00
PCTB02189-S	CHANNEL	28.87	0	12:31	3.70	0.36	0.55
PCTB02208	CONDUIT	50.98	0	13:41	5.39	0.59	0.85
PCTB02208-S	CHANNEL	0.00	0	00:00	0.00	0.00	0.00
PCTB02231	CONDUIT	147.50	0	00:06	6.32	2.12	1.00
PCTB02231-S	CHANNEL	0.00	0	00:00	0.00	0.00	0.00
PCTB02237	CONDUIT	92.19	0	00:10	6.17	0.82	1.00
PCTB02237-S	CHANNEL	8.36	0	12:05	0.95	0.13	0.88
PCTB02239	CONDUIT	0.00	0	00:00	0.00	0.00	0.50
PCTB02240	CONDUIT	66.78	0	00:12	2.13	0.10	0.95

Future Conditions (10-Year)

PCTB02259_1	CONDUIT	29.93	0	13:25	0.90	0.16	0.75
PCTB02259_2	CONDUIT	51.03	0	13:31	1.31	0.12	0.75
PCTB02260	CONDUIT	51.02	0	13:31	3.66	0.54	0.75
PCTB02260-S	CHANNEL	0.00	0	00:00	0.00	0.00	0.00
PCTB02264	CONDUIT	50.99	0	13:31	1.52	0.06	0.79
PCTB02274	CONDUIT	15.66	0	13:30	1.78	0.03	0.35
PCTB02275	CONDUIT	17.09	0	13:30	2.53	0.33	0.85
PCTB02275-S	CHANNEL	6.71	0	12:30	4.81	0.02	0.38
PCTB02276	CONDUIT	12.19	0	16:35	1.94	1.29	0.85
PCTB02276-S	CHANNEL	0.00	0	00:00	0.00	0.00	0.27
PCTB02278	CONDUIT	12.17	0	16:34	3.87	0.92	1.00
PCTB02278-S	CHANNEL	0.00	0	00:00	0.00	0.00	0.41
PCTB02279	CONDUIT	12.73	0	16:12	0.85	0.02	0.51
PCTB02280	CONDUIT	5.25	0	00:23	4.28	1.05	1.00
PCTB02280-S	CHANNEL	25.83	0	12:31	2.78	0.35	0.82
PCTB02281	CONDUIT	5.24	0	18:25	4.27	0.77	1.00
PCTB02281-S	CHANNEL	9.25	0	12:13	1.02	0.08	0.87
PCTB02282	CONDUIT	4.08	0	00:22	3.33	0.64	1.00
PCTB02282-S	CHANNEL	0.76	0	12:32	0.23	0.00	0.36
PCTB02283	CONDUIT	6.22	0	12:32	5.07	1.46	1.00
PCTB02283-S	CHANNEL	0.74	0	12:32	5.33	0.00	0.07
PCTB02284	CONDUIT	3.22	0	00:13	2.88	0.75	1.00
PCTB02284-S	CHANNEL	0.00	0	00:00	0.00	0.00	0.00
PCTB02292	CONDUIT	255.34	0	00:13	3.92	0.41	0.79
PCTB02294	CONDUIT	273.71	0	00:11	14.26	1.16	1.00
PCTB02294-S	CHANNEL	20.37	0	12:30	1.71	0.14	0.77
PCTB02295	CONDUIT	283.01	0	00:11	3.83	0.40	0.66
PCTB02297	CONDUIT	2.64	0	00:15	2.24	0.81	1.00
PCTB02297-S	CHANNEL	2.07	0	12:39	0.29	0.05	0.52
PCTB02299	CONDUIT	240.48	0	00:06	5.25	0.10	0.62
PCTB02300	CONDUIT	244.84	0	00:06	4.39	0.07	0.57
PCTB02301	CONDUIT	106.41	0	00:08	5.25	0.40	0.91
PCTB02302	CONDUIT	101.48	0	00:13	2.94	0.21	0.92
PCTB02303	CONDUIT	62.94	0	00:25	5.35	0.40	1.00
PCTB02303-S	CHANNEL	4.37	0	12:30	1.51	0.02	0.34
PCTB02304	CONDUIT	63.14	0	00:25	4.05	0.25	1.00
PCTB02304-S	CHANNEL	6.23	0	12:30	1.40	0.02	0.60
PCTB02312	CONDUIT	163.80	0	00:12	3.48	0.24	0.94
PCTB02329	CONDUIT	6.17	0	12:38	3.49	2.34	1.00
PCTB02329-S	CHANNEL	0.13	0	12:37	1.86	0.00	0.05
PCTB02330	CONDUIT	5.16	0	12:13	2.92	1.62	1.00
PCTB02330-S	CHANNEL	2.81	0	12:36	0.65	0.03	0.39
PCTB02331	CONDUIT	2.64	0	13:28	1.49	2.82	1.00
PCTB02331-S	CHANNEL	0.00	0	00:00	0.00	0.00	0.34
TRMB02002	CONDUIT	53.26	0	12:30	14.33	0.52	0.52
TRMB02003	CONDUIT	50.46	0	12:30	8.70	0.32	0.76
TRMB02003-S	CHANNEL	1.29	0	12:00	4.92	0.00	0.31
TRMB02006	CONDUIT	44.25	0	12:30	9.01	1.03	1.00
TRMB02006-S	CHANNEL	6.11	0	12:01	3.69	0.04	0.39
TRMB02009	CONDUIT	39.78	0	12:30	10.37	0.59	0.79
TRMB02009-S	CHANNEL	10.74	0	12:00	5.52	0.04	0.29
TRMB02012	CONDUIT	35.22	0	12:16	8.95	0.95	0.75
TRMB02012-S	CHANNEL	0.29	0	12:00	0.48	0.02	0.15
TRMB02015	CONDUIT	34.95	0	12:23	7.21	1.07	0.97
TRMB02015-S	CHANNEL	0.00	0	12:00	0.00	0.00	0.50
TRMB02016	CONDUIT	26.30	0	12:18	5.36	1.25	1.00
TRMB02016-S	CHANNEL	12.55	0	12:16	2.44	0.16	0.95
TRMB02018	CONDUIT	19.46	0	12:51	6.19	1.39	1.00
TRMB02018-S	CHANNEL	13.18	0	12:11	2.10	0.10	0.65
TRMB02022	CONDUIT	17.62	0	13:15	5.61	1.43	1.00
TRMB02022-S	CHANNEL	11.95	0	12:30	1.29	0.41	0.61
TRMB02023	CONDUIT	8.49	0	12:01	2.70	0.39	1.00

Future Conditions (10-Year)

TRMB02023-S	CHANNEL	1.93	0	12:01	0.49	0.03	0.53
TRMB02030	CONDUIT	5.12	0	12:52	4.26	0.51	1.00
TRMB02030-S	CHANNEL	0.24	0	12:01	0.55	0.01	0.13
TRMB02032	CONDUIT	9.08	0	12:30	5.19	0.99	1.00
TRMB02032-S	CHANNEL	0.00	0	00:00	0.00	0.00	0.00
TRMB02033	CONDUIT	8.95	0	12:30	6.86	0.54	1.00
TRMB02033-S	CHANNEL	0.13	0	12:30	1.37	0.00	0.06
TRMB02034	CONDUIT	7.15	0	11:58	9.14	1.48	1.00
TRMB02034-S	CHANNEL	3.10	0	12:30	3.14	0.02	0.20
TRMB02035	CONDUIT	4.26	0	12:40	5.42	0.80	1.00
TRMB02035-S	CHANNEL	7.64	0	12:30	3.74	0.05	0.29
TRMB02044_1	CONDUIT	12.45	0	11:56	3.96	0.56	1.00
TRMB02044_1-S	CHANNEL	0.00	0	00:00	0.00	0.00	0.21
TRMB02044_2	CONDUIT	17.93	0	12:29	5.71	3.15	1.00
TRMB02044_2-S	CHANNEL	16.57	0	12:01	3.16	0.12	0.62
TRMB02045	CONDUIT	17.05	0	11:54	5.50	1.24	1.00
TRMB02045-S	CHANNEL	0.00	0	00:00	0.00	0.00	0.00
TRMB02046	CONDUIT	5.69	0	12:29	3.54	0.14	1.00
TRMB02046-S	CHANNEL	0.00	0	00:00	0.00	0.00	0.00
TRMB02047	CONDUIT	5.90	0	11:55	8.18	0.31	0.69
TRMB02047-S	CHANNEL	0.11	0	12:27	1.42	0.00	0.05
TRMB02048	CONDUIT	2.83	0	12:30	6.07	0.63	0.58
TRMB02048-S	CHANNEL	0.00	0	12:00	0.00	0.00	0.05
TRMB02049	CONDUIT	2.74	0	12:30	5.73	0.62	0.59
TRMB02049-S	CHANNEL	0.09	0	12:30	1.25	0.00	0.05
TRMB02050	CONDUIT	13.09	0	11:54	4.17	1.75	1.00
TRMB02050-S	CHANNEL	0.00	0	00:00	0.00	0.00	0.00
TRMB02051	CONDUIT	13.04	0	11:54	4.15	1.76	1.00
TRMB02051-S	CHANNEL	0.00	0	00:00	0.00	0.00	0.03
TRMB02052	CONDUIT	11.33	0	11:54	3.61	0.57	1.00
TRMB02052-S	CHANNEL	0.03	0	12:00	1.19	0.00	0.03
TRMB02056	CONDUIT	16.99	0	12:30	5.41	0.85	1.00
TRMB02056-S	CHANNEL	0.00	0	12:03	0.00	0.00	0.01
TRMB02057	CONDUIT	16.17	0	12:30	5.15	0.83	1.00
TRMB02057-S	CHANNEL	0.94	0	12:03	2.58	0.01	0.11
TRMB02060	CONDUIT	12.25	0	12:30	4.67	0.65	0.95
TRMB02060-S	CHANNEL	5.14	0	12:01	4.40	0.03	0.23
TRMB02063	CONDUIT	7.97	0	12:30	5.68	0.47	0.74
TRMB02063-S	CHANNEL	0.00	0	00:00	0.00	0.00	0.13
TRMB02064	CONDUIT	7.97	0	12:30	6.24	0.91	0.68
TRMB02064-S	CHANNEL	0.00	0	00:00	0.00	0.00	0.00
TRMB02067	CONDUIT	7.61	0	12:30	6.20	2.73	1.00
TRMB02067-S	CHANNEL	0.37	0	12:30	3.01	0.00	0.07
TRMB02068	CONDUIT	4.51	0	12:30	3.67	1.01	1.00
TRMB02068-S	CHANNEL	0.73	0	12:30	1.59	0.00	0.13
TRMB02069	CONDUIT	1.42	0	12:29	2.08	0.22	1.00
TRMB02069-S	CHANNEL	0.00	0	13:30	0.00	0.00	0.06
TRMB02070	CONDUIT	1.42	0	12:29	2.74	0.34	1.00
TRMB02070-S	CHANNEL	0.01	0	13:30	0.00	0.00	0.01
TRMB03016	CONDUIT	35.42	0	12:30	9.25	0.76	0.73
TRMB03022	CONDUIT	24.99	0	12:39	9.38	1.21	1.00
TRMB03025	CONDUIT	25.10	0	12:30	10.58	0.56	0.77
TRMB03025-S	CHANNEL	0.26	0	12:30	5.48	0.00	0.18
TRMB03026	CONDUIT	0.58	0	12:30	8.94	0.04	0.57
TRMB03027	CONDUIT	0.58	0	12:30	3.93	0.16	0.24
TRMB03028	CONDUIT	23.20	0	12:34	8.99	5.19	0.77
TRMB03028-S	CHANNEL	0.00	0	00:00	0.00	0.00	0.03
TRMB03029	CONDUIT	23.20	0	12:34	7.38	0.96	1.00
TRMB03029-S	CHANNEL	0.00	0	00:00	0.00	0.00	0.00
TRMB03030	CONDUIT	23.20	0	12:34	7.38	1.07	1.00
TRMB03030-S	CHANNEL	0.00	0	00:00	0.00	0.00	0.00
TRMB03031	CONDUIT	30.88	0	12:35	2.35	0.01	0.36

Future Conditions (10-Year)

TRMB03032	CONDUIT	21.25	0	12:35	9.78	1.07	0.68
TRMB03032-S	CHANNEL	0.02	0	12:30	0.15	0.00	0.07
TRMB03033	CONDUIT	1.14	0	11:58	0.94	0.11	1.00
TRMB03033-S	CHANNEL	0.02	0	12:30	1.62	0.00	0.02
TRMB03034	CONDUIT	5.16	0	11:59	6.58	0.82	1.00
TRMB03034-S	CHANNEL	0.02	0	12:30	1.24	0.00	0.02
TRMB03035	CONDUIT	3.02	0	12:01	2.69	0.05	1.00
TRMB03035-S	CHANNEL	0.00	0	00:00	0.00	0.00	0.00
TRMB03036	CONDUIT	19.97	0	12:35	6.36	1.49	1.00
TRMB03036-S	CHANNEL	0.00	0	12:26	0.00	0.00	0.02
TRMB03037	CONDUIT	4.17	0	11:58	5.51	1.04	1.00
TRMB03037-S	CHANNEL	1.89	0	12:30	2.97	0.01	0.15
TRMB03038	CONDUIT	1.28	0	12:02	2.12	0.09	0.99
TRMB03038-S	CHANNEL	0.00	0	00:00	0.00	0.00	0.00
TRMB03039	CONDUIT	16.91	0	12:02	5.38	0.72	1.00
TRMB03039-S	CHANNEL	0.04	0	12:30	1.18	0.00	0.03
TRMB03042	CONDUIT	3.95	0	12:30	4.42	0.34	0.70
TRMB03042-S	CHANNEL	2.48	0	12:30	4.93	0.01	0.14
TRMB03043	CONDUIT	8.71	0	12:46	4.03	0.63	1.00
TRMB03043-S	CHANNEL	0.04	0	12:30	1.28	0.00	0.03
TRMB03044	CONDUIT	4.41	0	12:30	3.21	0.36	1.00
TRMB03044-S	CHANNEL	0.13	0	12:30	0.18	0.00	0.16
TRMB03049	CONDUIT	1.06	0	11:58	0.88	0.11	1.00
TRMB03049-S	CHANNEL	0.00	0	00:00	0.00	0.00	0.00
TRMB03051	CONDUIT	8.78	0	11:58	6.91	0.17	1.00
TRMB03051-S	CHANNEL	0.00	0	00:00	0.00	0.00	0.00
TRMB03052	CONDUIT	2.61	0	12:01	3.41	0.30	1.00
TRMB03052-S	CHANNEL	0.00	0	00:00	0.00	0.00	0.00
TRMB03054	CONDUIT	6.85	0	12:30	4.13	1.24	1.00
TRMB03054-S	CHANNEL	0.01	0	12:30	0.31	0.00	0.04
TRMB03055	CONDUIT	3.56	0	12:00	3.47	2.01	1.00
TRMB03055-S	CHANNEL	0.09	0	12:30	0.35	0.00	0.10
TRMB03063	CONDUIT	4.33	0	12:30	3.63	0.41	0.75
TRMB03063-S	CHANNEL	2.56	0	12:30	3.51	0.02	0.17
TRMB03065	CONDUIT	71.62	0	12:30	11.71	0.94	0.81
TRMB03067	CONDUIT	0.51	0	12:06	1.12	0.03	0.56
TRMB03067-S	CHANNEL	0.02	0	11:52	0.00	0.00	0.01
TRMB03068	CONDUIT	3.96	0	12:34	3.35	0.16	0.71
TRMB03068-S	CHANNEL	3.86	0	12:30	4.99	0.01	0.17
TRMB03069	CONDUIT	70.97	0	12:30	12.05	0.85	0.78
TRMB03069-S	CHANNEL	0.32	0	12:30	2.07	0.00	0.07
TRMB03070	CONDUIT	63.86	0	12:30	11.29	0.79	0.75
TRMB03070-S	CHANNEL	0.22	0	12:30	1.37	0.00	0.08
TRMB03072	CONDUIT	60.37	0	12:30	12.27	0.55	0.66
TRMB03072-S	CHANNEL	0.00	0	00:00	0.00	0.00	0.00
TRMB03073	CONDUIT	2.87	0	12:30	3.49	0.16	0.63
TRMB03073-S	CHANNEL	0.45	0	12:30	4.71	0.00	0.06
TRMB03083	CONDUIT	55.27	0	12:31	12.87	0.81	0.82
TRMB03083-S	CHANNEL	0.00	0	00:00	0.00	0.00	0.00
TRMB03084	CONDUIT	5.18	0	12:30	2.93	1.05	1.00
TRMB03084-S	CHANNEL	0.00	0	00:00	0.00	0.00	0.02
TRMB03087	CONDUIT	55.28	0	12:31	11.26	4.02	1.00
TRMB03087-S	CHANNEL	0.00	0	00:00	0.00	0.00	0.21
TRMB03088	CONDUIT	49.65	0	12:31	8.37	0.61	0.78
TRMB03088-S	CHANNEL	0.00	0	00:00	0.00	0.00	0.21
TRMB03089	CONDUIT	49.67	0	12:30	13.27	0.47	0.52
TRMB03089-S	CHANNEL	0.00	0	00:00	0.00	0.00	0.00
TRMB03090	CONDUIT	49.67	0	12:30	8.84	0.67	0.74
TRMB03090-S	CHANNEL	0.00	0	00:00	0.00	0.00	0.48
TRMB03091	CONDUIT	38.03	0	12:30	6.77	0.47	0.74
TRMB03091-S	CHANNEL	8.71	0	12:30	4.44	0.04	0.62
TRMB03092	CONDUIT	3.27	0	12:30	3.86	0.20	0.65

Future Conditions (10-Year)

TRMB03092-S	CHANNEL	1.30	0	12:30	3.08	0.01	0.54
TRMB03094	CONDUIT	33.36	0	12:30	9.71	0.46	0.49
TRMB03094-S	CHANNEL	11.26	0	12:30	3.36	0.08	0.34
TRMB03095	CONDUIT	2.51	0	12:30	3.36	0.06	0.59
TRMB03095-S	CHANNEL	2.50	0	12:30	1.53	0.17	0.24
TRMB03096	CONDUIT	21.30	0	12:30	5.55	0.75	0.54
TRMB03096-S	CHANNEL	12.98	0	12:30	3.94	0.04	0.34
TRMB03097	CONDUIT	4.10	0	12:30	4.91	0.27	0.68
TRMB03097-S	CHANNEL	6.22	0	12:29	5.66	0.02	0.31
TRMB03101	CONDUIT	0.23	0	13:14	0.54	0.00	0.52
TRMB03101-S	CHANNEL	0.00	0	14:30	0.00	0.00	0.14
TRMB03102	CONDUIT	16.55	0	12:30	5.65	0.19	0.44
TRMB03102-S	CHANNEL	17.62	0	12:30	5.17	0.08	0.35
TRMB03103	CONDUIT	11.00	0	12:30	7.90	0.10	0.25
TRMB03103-S	CHANNEL	21.65	0	12:30	4.93	0.08	0.40
TRMB03111	CONDUIT	5.66	0	12:30	7.64	0.14	0.29
TRMB03111-S	CHANNEL	19.11	0	12:30	4.17	0.11	0.40
TRMB03132	CONDUIT	3.61	0	12:30	2.99	0.24	0.67
TRMB03132-S	CHANNEL	1.58	0	12:30	5.25	0.01	0.10
TRMB04089_1	CONDUIT	8.36	0	12:30	2.72	0.18	0.55
TRMB04089_1-S	CHANNEL	108.77	0	12:30	5.50	0.85	0.97
TRMB04089_2	CONDUIT	17.11	0	12:34	3.55	0.36	0.77
TRMB04089_2-S	CHANNEL	77.63	0	12:37	6.97	0.61	0.69
TRMB05002	CONDUIT	77.58	0	12:30	28.37	0.16	0.33
TRMB05003	CONDUIT	77.59	0	12:30	10.99	0.74	0.69
TRMB05003-S	CHANNEL	0.00	0	00:00	0.00	0.00	0.00
TRMB05004	CONDUIT	0.51	0	12:49	0.42	0.07	1.00
TRMB05004-S	CHANNEL	0.00	0	11:43	0.00	0.00	0.01
TRMB05005	CONDUIT	1.38	0	12:29	1.12	0.14	1.00
TRMB05005-S	CHANNEL	0.01	0	11:44	0.00	0.00	0.01
TRMB05006	CONDUIT	75.90	0	12:30	7.90	1.20	0.99
TRMB05006-S	CHANNEL	0.00	0	00:00	0.00	0.00	0.00
TRMB05008	CONDUIT	1.60	0	12:33	1.60	0.17	0.99
TRMB05008-S	CHANNEL	0.00	0	11:48	0.00	0.00	0.02
TRMB05009_1	CONDUIT	67.52	0	12:30	9.72	0.75	0.68
TRMB05009_1-S	CHANNEL	0.18	0	12:38	1.80	0.00	0.06
TRMB05009_2	CONDUIT	70.70	0	12:31	8.19	0.79	0.85
TRMB05009_2-S	CHANNEL	0.00	0	11:49	0.00	0.00	0.01
TRMB05010	CONDUIT	3.78	0	12:30	2.06	0.04	0.57
TRMB05010-S	CHANNEL	0.00	0	11:48	0.00	0.00	0.04
TRMB05011	CONDUIT	1.37	0	12:30	5.76	0.03	0.13
TRMB05011-S	CHANNEL	0.00	0	00:00	0.00	0.00	0.04
TRMB05012	CONDUIT	1.37	0	12:30	2.83	0.36	0.42
TRMB05012-S	CHANNEL	0.00	0	00:00	0.00	0.00	0.01
TRMB05013	CONDUIT	0.98	0	12:30	1.44	0.01	0.54
TRMB05013-S	CHANNEL	0.40	0	12:13	3.65	0.00	0.06
TRMB05014	CONDUIT	1.96	0	12:30	2.62	0.06	0.59
TRMB05014-S	CHANNEL	0.40	0	12:30	2.35	0.00	0.08
TRMB05015	CONDUIT	61.65	0	12:33	7.71	1.10	0.79
TRMB05015-S	CHANNEL	3.89	0	12:37	3.75	0.03	0.20
TRMB05016	CONDUIT	14.16	0	12:27	10.93	0.30	0.69
TRMB05016-S	CHANNEL	2.72	0	12:30	2.96	0.02	0.18
TRMB05017	CONDUIT	39.99	0	12:33	5.09	0.77	0.89
TRMB05017-S	CHANNEL	13.48	0	12:30	4.29	0.07	0.33
TRMB05018	CONDUIT	3.27	0	12:30	4.10	0.12	0.62
TRMB05018-S	CHANNEL	2.33	0	12:30	2.75	0.02	0.17
TRMB05019	CONDUIT	11.38	0	12:21	8.81	0.73	0.69
TRMB05019-S	CHANNEL	0.14	0	12:30	2.58	0.00	0.04
TRMB05020	CONDUIT	0.29	0	12:25	2.04	0.04	0.32
TRMB05020-S	CHANNEL	0.09	0	12:30	1.67	0.00	0.04
TRMB05021	CONDUIT	11.24	0	12:28	6.36	1.25	1.00
TRMB05021-S	CHANNEL	0.00	0	00:00	0.00	0.00	0.00

Future Conditions (10-Year)

TRMB05022	CONDUIT	1.00	0	12:30	2.12	0.12	0.41
TRMB05022-S	CHANNEL	0.06	0	12:30	1.43	0.00	0.04
TRMB05023	CONDUIT	0.29	0	12:32	3.55	0.07	0.38
TRMB05023-S	CHANNEL	0.00	0	12:30	0.00	0.00	0.15
TRMB05025	CONDUIT	8.66	0	11:54	10.65	0.15	0.63
TRMB05025-S	CHANNEL	25.82	0	12:37	4.18	0.09	0.69
TRMB05026	CONDUIT	2.51	0	12:30	13.30	0.09	0.21
TRMB05026-S	CHANNEL	0.00	0	00:00	0.00	0.00	0.00
TRMB05027	CONDUIT	8.66	0	11:52	10.40	0.18	0.64
TRMB05027-S	CHANNEL	32.96	0	12:37	4.85	0.09	0.69
TRMB05028	CONDUIT	10.20	0	12:01	5.77	1.42	1.00
TRMB05028-S	CHANNEL	0.00	0	11:25	0.00	0.00	0.00
TRMB05029	CONDUIT	1.08	0	12:29	1.10	0.20	1.00
TRMB05029-S	CHANNEL	0.01	0	13:17	0.00	0.00	0.01
TRMB05030	CONDUIT	3.24	0	11:57	2.77	0.29	1.00
TRMB05030-S	CHANNEL	0.00	0	11:25	0.00	0.00	0.01
TRMB05031	CONDUIT	4.41	0	12:21	4.20	0.36	1.00
TRMB05031-S	CHANNEL	0.27	0	12:30	0.52	0.00	0.14
TRMB05032	CONDUIT	3.65	0	12:30	2.97	0.35	1.00
TRMB05032-S	CHANNEL	0.00	0	11:25	0.00	0.00	0.01
TRMB05033	CONDUIT	2.82	0	11:57	3.04	6.46	1.00
TRMB05033-S	CHANNEL	0.19	0	12:29	1.28	0.02	0.07
TRMB05034	CONDUIT	2.70	0	12:29	3.56	0.50	1.00
TRMB05034-S	CHANNEL	0.14	0	12:30	1.55	0.00	0.06
TRMB05035	CONDUIT	3.97	0	12:30	5.51	0.09	0.43
TRMB05035-S	CHANNEL	0.01	0	12:30	0.79	0.00	0.02
TRMB05036	CONDUIT	1.85	0	12:30	4.17	0.30	0.39
TRMB05036-S	CHANNEL	0.00	0	11:53	0.00	0.00	0.01
TRMB05037	CONDUIT	1.43	0	12:30	3.30	0.11	0.38
TRMB05037-S	CHANNEL	0.02	0	11:45	0.87	0.00	0.01
TRMB05038	CONDUIT	2.03	0	12:30	5.37	0.26	0.35
TRMB05038-S	CHANNEL	0.00	0	11:58	0.00	0.00	0.01
TRMB05039	CONDUIT	1.14	0	12:30	2.26	0.23	0.43
TRMB05039-S	CHANNEL	0.03	0	11:53	0.13	0.00	0.01
TRMB05040	CONDUIT	5.79	0	12:30	4.01	0.76	0.76
TRMB05040-S	CHANNEL	0.04	0	12:30	0.83	0.00	0.04
TRMB05041	CONDUIT	7.51	0	12:30	4.62	0.98	0.87
TRMB05041-S	CHANNEL	0.04	0	12:30	0.96	0.00	0.05
TRMB05042	CONDUIT	2.51	0	12:30	3.36	0.34	0.59
TRMB05042-S	CHANNEL	0.00	0	00:00	0.00	0.00	0.04
TRMB05044	CONDUIT	0.65	0	12:32	1.65	0.11	0.67
TRMB05044-S	CHANNEL	0.04	0	12:00	1.56	0.00	0.03
TRMB05045	CONDUIT	10.07	0	12:30	6.19	1.03	0.87
TRMB05045-S	CHANNEL	0.04	0	12:00	1.99	0.00	0.03
TRMB05046	CONDUIT	10.10	0	12:30	7.59	0.57	0.70
TRMB05046-S	CHANNEL	0.00	0	00:00	0.00	0.00	0.00
TRMB05048	CONDUIT	10.10	0	12:31	6.91	0.57	0.77
CountrySideE_Ditch_Culvert_In-IC	DUMMY			6.68	0	12:30	
JMTB01003-IC	DUMMY	8.66	0	12:25			
JMTB01004-IC	DUMMY	4.00	0	12:25			
JMTB01005-IC	DUMMY	0.97	0	12:53			
JMTB01006-IC	DUMMY	8.66	0	11:27			
JMTB01102-IC	DUMMY	7.34	0	13:00			
JMTB01103-IC	DUMMY	1.26	0	13:01			
JMTB01104-IC	DUMMY	2.08	0	12:30			
JMTB01105-IC	DUMMY	8.66	0	12:21			
PCTB01068_US-IC	DUMMY	8.66	0	12:22			
PCTB01068-IC	DUMMY	8.30	0	12:23			
PCTB02001-IC	DUMMY	6.82	0	14:03			
PCTB02002-IC	DUMMY	0.00	0	00:00			
PCTB02003-IC	DUMMY	8.66	0	12:09			
PCTB02004-IC	DUMMY	7.59	0	12:09			

Future Conditions (10-Year)

PCTB02011-IC	DUMMY	2.06	0	12:27
PCTB02012-IC	DUMMY	8.66	0	12:27
PCTB02014-IC	DUMMY	7.78	0	13:53
PCTB02015-IC	DUMMY	4.36	0	14:05
PCTB02016-IC	DUMMY	0.00	0	00:00
PCTB02017-IC	DUMMY	0.00	0	00:00
PCTB02022-IC	DUMMY	5.30	0	12:33
PCTB02023-IC	DUMMY	4.27	0	12:35
PCTB02189-IC	DUMMY	7.29	0	12:30
PCTB02191_DS-IC	DUMMY	12.57	0	13:37
PCTB02191-IC	DUMMY	5.37	0	12:31
PCTB02207-IC	DUMMY	0.00	0	00:00
PCTB02209-IC	DUMMY	0.00	0	00:00
PCTB02229-IC	DUMMY	0.00	0	00:00
PCTB02231-IC	DUMMY	0.00	0	00:00
PCTB02235-IC	DUMMY	8.66	0	12:05
PCTB02237-IC	DUMMY	7.53	0	12:06
PCTB02257_1-IC	DUMMY	4.15	0	12:30
PCTB02257-IC	DUMMY	8.66	0	11:58
PCTB02260-IC	DUMMY	0.00	0	00:00
PCTB02262-IC	DUMMY	0.00	0	00:00
PCTB02275-IC	DUMMY	6.33	0	13:03
PCTB02276-IC	DUMMY	0.00	0	00:00
PCTB02278-IC	DUMMY	7.82	0	14:33
PCTB02280-IC	DUMMY	8.66	0	12:13
PCTB02281-IC	DUMMY	7.49	0	12:14
PCTB02282-IC	DUMMY	3.14	0	12:32
PCTB02283-IC	DUMMY	0.74	0	12:33
PCTB02284-IC	DUMMY	0.00	0	00:00
PCTB02292-IC	DUMMY	8.86	0	00:23
PCTB02294-IC	DUMMY	10.36	0	00:24
PCTB02295-IC	DUMMY	12.37	0	13:19
PCTB02297-IC	DUMMY	4.76	0	12:39
PCTB02302-IC	DUMMY	7.11	0	00:22
PCTB02303-IC	DUMMY	3.88	0	12:30
PCTB02304-IC	DUMMY	8.66	0	12:05
PCTB02312-IC	DUMMY	7.46	0	00:22
PCTB02329-IC	DUMMY	0.19	0	13:17
PCTB02330-IC	DUMMY	2.69	0	12:37
PCTB02331-IC	DUMMY	7.19	0	12:37
PCTB02332-IC	DUMMY	0.00	0	00:00
TRMB02002-IC	DUMMY	2.84	0	12:00
TRMB02003-IC	DUMMY	6.21	0	12:31
TRMB02006-IC	DUMMY	4.60	0	12:01
TRMB02009-IC	DUMMY	4.66	0	12:00
TRMB02012-IC	DUMMY	0.29	0	12:00
TRMB02015-IC	DUMMY	8.66	0	12:16
TRMB02016-IC	DUMMY	8.21	0	12:16
TRMB02018-IC	DUMMY	5.48	0	12:11
TRMB02022-IC	DUMMY	7.87	0	12:30
TRMB02023-IC	DUMMY	4.33	0	12:01
TRMB02030-IC	DUMMY	0.24	0	12:01
TRMB02032-IC	DUMMY	0.14	0	12:02
TRMB02033-IC	DUMMY	2.96	0	12:30
TRMB02034-IC	DUMMY	4.53	0	12:30
TRMB02035-IC	DUMMY	4.87	0	12:30
TRMB02044_DS-IC	DUMMY	5.66	0	12:01
TRMB02044-IC	DUMMY	0.00	0	00:00
TRMB02045-IC	DUMMY	0.00	0	00:00
TRMB02046-IC	DUMMY	0.24	0	11:57
TRMB02047-IC	DUMMY	2.72	0	12:30
TRMB02048-IC	DUMMY	0.22	0	11:21

Future Conditions (10-Year)

TRMB02049-IC	DUMMY	2.74	0	12:30
TRMB02050-IC	DUMMY	0.00	0	00:00
TRMB02051-IC	DUMMY	2.14	0	12:00
TRMB02052-IC	DUMMY	0.16	0	11:27
TRMB02056-IC	DUMMY	0.94	0	12:03
TRMB02057-IC	DUMMY	4.02	0	12:03
TRMB02060-IC	DUMMY	4.40	0	12:00
TRMB02063-IC	DUMMY	0.00	0	00:00
TRMB02064-IC	DUMMY	0.37	0	12:30
TRMB02067-IC	DUMMY	3.10	0	12:30
TRMB02068-IC	DUMMY	3.09	0	12:30
TRMB02069-IC	DUMMY	0.10	0	13:30
TRMB02070-IC	DUMMY	1.41	0	12:29
TRMB03016-IC	DUMMY	0.00	0	00:00
TRMB03022-IC	DUMMY	4.69	0	12:21
TRMB03025-IC	DUMMY	2.10	0	12:00
TRMB03028-IC	DUMMY	0.00	0	00:00
TRMB03029-IC	DUMMY	0.00	0	00:00
TRMB03030-IC	DUMMY	0.00	0	00:00
TRMB03031-IC	DUMMY	2.84	0	12:30
TRMB03032-IC	DUMMY	1.70	0	12:30
TRMB03033-IC	DUMMY	0.14	0	12:30
TRMB03034-IC	DUMMY	1.85	0	12:30
TRMB03035-IC	DUMMY	0.00	0	00:00
TRMB03036-IC	DUMMY	0.11	0	12:31
TRMB03037-IC	DUMMY	4.38	0	12:30
TRMB03038-IC	DUMMY	0.00	0	00:00
TRMB03039-IC	DUMMY	2.25	0	12:30
TRMB03042-IC	DUMMY	3.95	0	12:30
TRMB03043-IC	DUMMY	0.09	0	12:29
TRMB03044-IC	DUMMY	4.41	0	12:30
TRMB03049-IC	DUMMY	0.00	0	00:00
TRMB03051-IC	DUMMY	0.14	0	12:29
TRMB03052-IC	DUMMY	0.00	0	00:00
TRMB03054-IC	DUMMY	2.52	0	12:30
TRMB03055-IC	DUMMY	3.79	0	12:30
TRMB03063-IC	DUMMY	4.33	0	12:30
TRMB03065-IC	DUMMY	0.33	0	12:24
TRMB03067-IC	DUMMY	0.99	0	12:05
TRMB03068-IC	DUMMY	3.85	0	12:28
TRMB03069-IC	DUMMY	3.30	0	12:30
TRMB03070-IC	DUMMY	0.67	0	12:30
TRMB03072-IC	DUMMY	0.00	0	00:00
TRMB03073-IC	DUMMY	2.87	0	12:30
TRMB03083-IC	DUMMY	0.00	0	00:00
TRMB03084-IC	DUMMY	1.57	0	12:30
TRMB03087-IC	DUMMY	5.64	0	12:32
TRMB03088-IC	DUMMY	0.00	0	00:00
TRMB03089-IC	DUMMY	0.00	0	00:00
TRMB03090-IC	DUMMY	8.47	0	12:32
TRMB03091-IC	DUMMY	4.67	0	12:30
TRMB03092-IC	DUMMY	3.27	0	12:30
TRMB03094-IC	DUMMY	5.47	0	12:30
TRMB03095-IC	DUMMY	2.51	0	12:30
TRMB03096-IC	DUMMY	4.63	0	12:30
TRMB03097-IC	DUMMY	4.10	0	12:29
TRMB03101-IC	DUMMY	0.44	0	13:13
TRMB03102-IC	DUMMY	5.55	0	12:30
TRMB03103-IC	DUMMY	5.34	0	12:30
TRMB03111-IC	DUMMY	5.66	0	12:30
TRMB03132-IC	DUMMY	3.61	0	12:30
TRMB04089-IC	DUMMY	8.36	0	12:30

Future Conditions (10-Year)

TRMB05002-IC	DUMMY	0.00	0	00:00
TRMB05003-IC	DUMMY	0.22	0	11:44
TRMB05004-IC	DUMMY	0.43	0	13:08
TRMB05005-IC	DUMMY	1.37	0	12:30
TRMB05006-IC	DUMMY	0.08	0	11:46
TRMB05008-IC	DUMMY	1.55	0	12:30
TRMB05009_DS-IC	DUMMY	1.02	0	11:49
TRMB05009-IC	DUMMY	2.95	0	12:38
TRMB05010-IC	DUMMY	2.41	0	12:30
TRMB05011-IC	DUMMY	0.00	0	00:00
TRMB05012-IC	DUMMY	1.37	0	12:29
TRMB05013-IC	DUMMY	0.98	0	12:30
TRMB05014-IC	DUMMY	1.96	0	12:30
TRMB05015-IC	DUMMY	4.58	0	12:08
TRMB05016-IC	DUMMY	2.51	0	12:30
TRMB05017_US-IC	DUMMY	8.66	0	12:07
TRMB05017-IC	DUMMY	5.39	0	12:37
TRMB05018-IC	DUMMY	2.27	0	12:30
TRMB05019-IC	DUMMY	0.22	0	12:38
TRMB05020-IC	DUMMY	0.34	0	11:49
TRMB05021-IC	DUMMY	0.20	0	13:17
TRMB05022-IC	DUMMY	0.75	0	12:30
TRMB05023-IC	DUMMY	4.59	0	12:36
TRMB05025-IC	DUMMY	8.66	0	11:54
TRMB05026-IC	DUMMY	0.00	0	00:00
TRMB05027-IC	DUMMY	8.66	0	11:52
TRMB05028-IC	DUMMY	0.33	0	12:30
TRMB05029-IC	DUMMY	1.18	0	13:17
TRMB05030-IC	DUMMY	0.72	0	11:54
TRMB05031-IC	DUMMY	4.49	0	12:30
TRMB05032-IC	DUMMY	1.10	0	12:30
TRMB05033-IC	DUMMY	3.20	0	12:30
TRMB05034-IC	DUMMY	2.69	0	12:30
TRMB05035-IC	DUMMY	0.24	0	11:53
TRMB05036-IC	DUMMY	1.00	0	11:52
TRMB05037-IC	DUMMY	1.43	0	12:30
TRMB05038-IC	DUMMY	1.13	0	11:53
TRMB05039-IC	DUMMY	1.15	0	12:29
TRMB05040-IC	DUMMY	1.84	0	12:30
TRMB05041-IC	DUMMY	1.76	0	12:30
TRMB05042-IC	DUMMY	2.51	0	12:30
TRMB05043-IC	DUMMY	0.00	0	00:00
TRMB05044-IC	DUMMY	0.71	0	11:08
TRMB05045-IC	DUMMY	2.03	0	12:00
TRMB05046-IC	DUMMY	0.22	0	11:26
TRMB05048-IC	DUMMY	0.00	0	00:00

 Flow Classification Summary

Conduit	Adjusted /Actual Length	----- Fraction of Time in Flow Class -----								
		Up Dry	Down Dry	Sub Dry	Sup Crit	Up Crit	Down Crit	Norm Ltd	Inlet Ctrl	
C1	1.45	0.00	0.00	0.00	1.00	0.00	0.00	0.00	0.00	0.00
C14	1.64	0.07	0.01	0.00	0.92	0.00	0.00	0.00	0.00	0.00
C2_1	6.41	0.00	0.00	0.00	1.00	0.00	0.00	0.00	0.00	0.00

Future Conditions (10-Year)

C2_1-S	3.97	0.00	0.30	0.00	0.70	0.00	0.00	0.00	0.72	0.00
C2_2	1.00	0.00	0.00	0.00	1.00	0.00	0.00	0.00	0.00	0.00
C3	1.00	0.02	0.22	0.00	0.77	0.00	0.00	0.00	0.72	0.00
C9	9.19	0.20	0.04	0.00	0.76	0.00	0.00	0.00	0.64	0.00
C9-S	9.93	0.56	0.44	0.00	0.00	0.00	0.00	0.00	0.00	0.00
CountrySideE_Ditch	1.00	0.02	0.15	0.00	0.82	0.00	0.00	0.00	0.25	0.00
CountrySideE_Ditch_Culvert	1.00	0.02	0.00	0.00	0.00	0.98	0.00	0.00	0.00	0.00
0.00										
CountrySideE_Ditch_Culvert-S	1.00	0.21	0.02	0.00	0.48	0.28	0.00	0.00	0.00	0.00
0.33	0.00									
JMTB01003	6.76	0.20	0.01	0.00	0.79	0.00	0.00	0.00	0.00	0.00
JMTB01003-S	10.55	0.29	0.47	0.00	0.24	0.00	0.00	0.00	0.00	0.00
JMTB01004	1.47	0.21	0.01	0.00	0.78	0.00	0.00	0.00	0.00	0.00
JMTB01004-S	1.20	0.77	0.00	0.00	0.01	0.22	0.00	0.00	0.00	0.00
JMTB01005	1.00	0.18	0.04	0.00	0.78	0.00	0.00	0.00	0.14	0.00
JMTB01005-S	1.00	0.21	0.63	0.00	0.16	0.00	0.00	0.00	0.49	0.00
JMTB01102	3.59	0.20	0.05	0.00	0.75	0.00	0.00	0.00	0.11	0.00
JMTB01102-S	3.41	0.30	0.56	0.00	0.14	0.00	0.00	0.00	0.46	0.00
JMTB01103	1.00	0.20	0.00	0.00	0.80	0.00	0.00	0.00	0.19	0.00
JMTB01103_1	1.00	0.20	0.00	0.00	0.80	0.00	0.00	0.00	0.19	0.00
JMTB01103-S	1.00	0.28	0.59	0.00	0.13	0.00	0.00	0.00	0.65	0.00
JMTB01104	2.72	0.20	0.00	0.00	0.79	0.01	0.00	0.00	0.16	0.00
JMTB01104-S	2.20	0.35	0.03	0.00	0.13	0.49	0.00	0.00	0.00	0.00
PCTB01068	1.00	0.00	0.20	0.00	0.80	0.00	0.00	0.00	0.00	0.00
PCTB01068_US	1.00	0.20	0.00	0.00	0.79	0.00	0.00	0.00	0.00	0.00
PCTB01068_US-S	1.00	0.24	0.41	0.00	0.34	0.00	0.00	0.00	0.00	0.00
PCTB02001	1.00	0.02	0.03	0.00	0.95	0.00	0.00	0.00	0.00	0.00
PCTB02002	1.33	0.05	0.01	0.00	0.93	0.00	0.00	0.00	0.00	0.00
PCTB02002-S	1.28	0.30	0.70	0.00	0.00	0.00	0.00	0.00	0.00	0.00
PCTB02003	1.00	0.21	0.00	0.00	0.79	0.00	0.00	0.00	0.04	0.00
PCTB02003-S	1.00	0.25	0.02	0.00	0.49	0.24	0.00	0.00	0.05	0.00
PCTB02008	1.00	0.00	0.00	0.00	1.00	0.00	0.00	0.00	0.00	0.00
PCTB02011	3.82	0.00	0.00	0.00	0.92	0.08	0.00	0.00	0.05	0.00
PCTB02011_1	1.00	0.00	0.00	0.00	1.00	0.00	0.00	0.00	0.00	0.00
PCTB02011-S	2.41	0.31	0.55	0.00	0.14	0.00	0.00	0.00	0.00	0.00
PCTB02014	3.40	0.01	0.02	0.00	0.98	0.00	0.00	0.00	0.00	0.00
PCTB02014_1	1.00	0.00	0.00	0.00	1.00	0.00	0.00	0.00	0.06	0.00
PCTB02014-S	2.03	0.53	0.33	0.00	0.14	0.00	0.00	0.00	0.40	0.00
PCTB02016	1.79	0.24	0.01	0.00	0.75	0.00	0.00	0.00	0.11	0.00
PCTB02016-S	1.00	1.00	0.00	0.00	0.00	0.00	0.00	0.00	0.00	0.00
PCTB02020	1.00	0.25	0.00	0.00	0.71	0.00	0.00	0.04	0.04	0.00
PCTB02021	1.00	0.21	0.03	0.00	0.76	0.00	0.00	0.00	0.00	0.00
PCTB02022	1.17	0.11	0.00	0.00	0.89	0.00	0.00	0.00	0.00	0.00
PCTB02022-S	1.00	0.26	0.03	0.00	0.11	0.60	0.00	0.00	0.00	0.00
PCTB02023	1.00	0.09	0.01	0.00	0.89	0.00	0.00	0.00	0.00	0.00
PCTB02023-S	1.00	0.44	0.56	0.00	0.00	0.00	0.00	0.00	0.00	0.00
PCTB02076	1.20	0.00	0.00	0.00	1.00	0.00	0.00	0.00	0.00	0.00
PCTB02080	1.00	0.00	0.00	0.00	1.00	0.00	0.00	0.00	0.00	0.00
PCTB02160	1.00	0.00	0.00	0.00	1.00	0.00	0.00	0.00	0.00	0.00
PCTB02172	2.17	0.00	0.00	0.00	1.00	0.00	0.00	0.00	0.00	0.00
PCTB02189	1.00	0.00	0.00	0.00	1.00	0.00	0.00	0.00	0.00	0.00
PCTB02189-S	1.00	0.19	0.00	0.00	0.05	0.76	0.00	0.00	0.00	0.00
PCTB02208	1.00	0.01	0.00	0.00	0.99	0.00	0.00	0.00	0.00	0.00
PCTB02208-S	1.00	1.00	0.00	0.00	0.00	0.00	0.00	0.00	0.00	0.00
PCTB02231	1.00	0.00	0.00	0.00	1.00	0.00	0.00	0.00	0.00	0.00
PCTB02231-S	1.00	1.00	0.00	0.00	0.00	0.00	0.00	0.00	0.00	0.00
PCTB02237	1.00	0.00	0.00	0.00	1.00	0.00	0.00	0.00	0.00	0.00
PCTB02237-S	1.00	0.25	0.08	0.00	0.67	0.00	0.00	0.00	0.00	0.00
PCTB02239	1.00	0.00	1.00	0.00	0.00	0.00	0.00	0.00	0.00	0.00
PCTB02240	1.00	0.00	0.00	0.00	0.99	0.00	0.00	0.00	0.00	0.00
PCTB02259_1	1.62	0.02	0.00	0.00	0.98	0.00	0.00	0.00	0.00	0.00
PCTB02259_2	1.00	0.02	0.00	0.00	0.98	0.00	0.00	0.00	0.00	0.00

Future Conditions (10-Year)

PCTB02260	1.09	0.01	0.00	0.00	0.98	0.00	0.00	0.00	0.00	0.00
PCTB02260-S	1.00	1.00	0.00	0.00	0.00	0.00	0.00	0.00	0.00	0.00
PCTB02264	1.00	0.01	0.01	0.00	0.99	0.00	0.00	0.00	0.00	0.00
PCTB02274	1.00	0.00	0.25	0.00	0.75	0.00	0.00	0.00	0.63	0.00
PCTB02275	3.23	0.02	0.00	0.00	0.98	0.00	0.00	0.00	0.00	0.00
PCTB02275-S	3.61	0.25	0.03	0.00	0.08	0.64	0.00	0.00	0.11	0.00
PCTB02276	1.00	0.02	0.00	0.00	0.98	0.00	0.00	0.00	0.00	0.00
PCTB02276-S	1.00	0.37	0.63	0.00	0.00	0.00	0.00	0.00	0.00	0.00
PCTB02278	1.00	0.02	0.00	0.00	0.97	0.00	0.00	0.00	0.00	0.00
PCTB02278-S	1.00	0.62	0.38	0.00	0.00	0.00	0.00	0.00	0.00	0.00
PCTB02279	1.00	0.03	0.19	0.00	0.79	0.00	0.00	0.00	0.37	0.00
PCTB02280	1.00	0.00	0.00	0.00	1.00	0.00	0.00	0.00	0.00	0.00
PCTB02280-S	1.00	0.02	0.00	0.00	0.98	0.00	0.00	0.00	0.98	0.00
PCTB02281	2.41	0.00	0.00	0.00	0.99	0.00	0.00	0.00	0.00	0.00
PCTB02281-S	1.89	0.02	0.00	0.00	0.98	0.00	0.00	0.00	0.00	0.00
PCTB02282	1.00	0.00	0.00	0.00	0.99	0.00	0.00	0.00	0.00	0.00
PCTB02282-S	1.00	0.02	0.22	0.00	0.77	0.00	0.00	0.00	0.72	0.00
PCTB02283	1.34	0.01	0.00	0.00	0.99	0.00	0.00	0.00	0.00	0.00
PCTB02283-S	2.70	0.23	0.00	0.00	0.09	0.68	0.00	0.00	0.00	0.00
PCTB02284	1.00	0.01	0.00	0.00	0.99	0.00	0.00	0.00	0.00	0.00
PCTB02284-S	1.00	0.59	0.41	0.00	0.00	0.00	0.00	0.00	0.00	0.00
PCTB02292	1.00	0.00	0.00	0.00	1.00	0.00	0.00	0.00	0.00	0.00
PCTB02294	3.11	0.00	0.00	0.00	1.00	0.00	0.00	0.00	0.00	0.00
PCTB02294-S	1.30	0.00	0.00	0.00	1.00	0.00	0.00	0.00	0.60	0.00
PCTB02295	1.00	0.00	0.00	0.00	1.00	0.00	0.00	0.00	0.00	0.00
PCTB02297	1.00	0.01	0.00	0.00	0.99	0.00	0.00	0.00	0.00	0.00
PCTB02297-S	1.00	0.02	0.21	0.00	0.77	0.00	0.00	0.00	0.71	0.00
PCTB02299	1.00	0.00	0.00	0.00	1.00	0.00	0.00	0.00	0.00	0.00
PCTB02300	1.00	0.00	0.00	0.00	1.00	0.00	0.00	0.00	0.00	0.00
PCTB02301	1.00	0.00	0.00	0.00	1.00	0.00	0.00	0.00	0.00	0.00
PCTB02302	1.00	0.00	0.00	0.00	1.00	0.00	0.00	0.00	0.00	0.00
PCTB02303	2.33	0.00	0.00	0.00	0.99	0.00	0.00	0.00	0.00	0.00
PCTB02303-S	1.93	0.02	0.24	0.00	0.74	0.00	0.00	0.00	0.69	0.00
PCTB02304	6.82	0.00	0.00	0.00	0.99	0.00	0.00	0.00	0.00	0.00
PCTB02304-S	6.10	0.24	0.01	0.00	0.69	0.06	0.00	0.00	0.68	0.00
PCTB02312	1.00	0.00	0.00	0.00	1.00	0.00	0.00	0.00	0.00	0.00
PCTB02329	1.00	0.08	0.01	0.00	0.91	0.00	0.00	0.00	0.01	0.00
PCTB02329-S	1.00	0.84	0.00	0.00	0.02	0.14	0.00	0.00	0.00	0.00
PCTB02330	1.00	0.09	0.00	0.00	0.91	0.00	0.00	0.00	0.01	0.00
PCTB02330-S	1.00	0.27	0.56	0.00	0.16	0.00	0.00	0.00	0.00	0.00
PCTB02331	1.00	0.09	0.00	0.00	0.91	0.00	0.00	0.00	0.00	0.00
PCTB02331-S	1.00	0.27	0.73	0.00	0.00	0.00	0.00	0.00	0.00	0.00
TRMB02002	1.00	0.20	0.00	0.00	0.00	0.80	0.00	0.00	0.00	0.00
TRMB02003	4.56	0.17	0.03	0.00	0.77	0.03	0.00	0.00	0.00	0.00
TRMB02003-S	3.46	0.44	0.11	0.00	0.29	0.16	0.00	0.00	0.03	0.00
TRMB02006	1.00	0.16	0.00	0.00	0.83	0.00	0.00	0.00	0.70	0.00
TRMB02006-S	1.00	0.74	0.05	0.00	0.17	0.05	0.00	0.00	0.11	0.00
TRMB02009	1.00	0.16	0.00	0.00	0.00	0.83	0.00	0.00	0.74	0.00
TRMB02009-S	1.00	0.23	0.01	0.00	0.17	0.59	0.00	0.00	0.00	0.00
TRMB02012	1.00	0.16	0.00	0.00	0.00	0.83	0.00	0.00	0.00	0.00
TRMB02012-S	1.00	0.24	0.01	0.00	0.75	0.01	0.00	0.00	0.00	0.00
TRMB02015	1.00	0.16	0.00	0.00	0.12	0.72	0.00	0.00	0.00	0.00
TRMB02015-S	1.00	0.84	0.05	0.00	0.12	0.00	0.00	0.00	0.50	0.00
TRMB02016	2.57	0.16	0.00	0.00	0.84	0.00	0.00	0.00	0.00	0.00
TRMB02016-S	1.39	0.21	0.02	0.00	0.56	0.22	0.00	0.00	0.00	0.00
TRMB02018	1.00	0.16	0.00	0.00	0.84	0.00	0.00	0.00	0.67	0.00
TRMB02018-S	1.00	0.18	0.04	0.00	0.60	0.18	0.00	0.00	0.46	0.00
TRMB02022	1.00	0.16	0.00	0.00	0.84	0.00	0.00	0.00	0.10	0.00
TRMB02022-S	1.00	0.17	0.05	0.00	0.76	0.02	0.00	0.00	0.02	0.00
TRMB02023	1.00	0.16	0.05	0.00	0.79	0.00	0.00	0.00	0.62	0.00
TRMB02023-S	1.00	0.21	0.04	0.00	0.64	0.11	0.00	0.00	0.44	0.00
TRMB02030	1.00	0.21	0.03	0.00	0.14	0.62	0.00	0.00	0.10	0.00

Future Conditions (10-Year)

TRMB02030-S	1.00	0.24	0.66	0.00	0.10	0.00	0.00	0.00	0.11	0.00
TRMB02032	1.00	0.24	0.00	0.00	0.11	0.65	0.00	0.00	0.05	0.00
TRMB02032-S	1.00	0.93	0.04	0.00	0.03	0.00	0.00	0.00	0.00	0.00
TRMB02033	2.62	0.24	0.00	0.00	0.06	0.70	0.00	0.00	0.61	0.00
TRMB02033-S	1.02	0.93	0.00	0.00	0.02	0.06	0.00	0.00	0.00	0.00
TRMB02034	1.00	0.24	0.00	0.00	0.06	0.70	0.00	0.00	0.00	0.00
TRMB02034-S	1.00	0.81	0.00	0.00	0.10	0.09	0.00	0.00	0.00	0.00
TRMB02035	1.00	0.24	0.00	0.00	0.10	0.67	0.00	0.00	0.60	0.00
TRMB02035-S	1.00	0.26	0.01	0.00	0.18	0.55	0.00	0.00	0.00	0.00
TRMB02044_1	1.00	0.21	0.01	0.00	0.78	0.00	0.00	0.00	0.63	0.00
TRMB02044_1-S	1.00	0.24	0.76	0.00	0.00	0.00	0.00	0.00	0.00	0.00
TRMB02044_2	1.00	0.16	0.05	0.00	0.79	0.00	0.00	0.00	0.02	0.00
TRMB02044_2-S	1.00	0.21	0.03	0.00	0.09	0.67	0.00	0.00	0.06	0.00
TRMB02045	2.54	0.21	0.00	0.00	0.78	0.00	0.00	0.00	0.00	0.00
TRMB02045-S	2.35	1.00	0.00	0.00	0.00	0.00	0.00	0.00	0.00	0.00
TRMB02046	9.20	0.21	0.03	0.00	0.76	0.00	0.00	0.00	0.60	0.00
TRMB02046-S	2.80	0.92	0.08	0.00	0.00	0.00	0.00	0.00	0.00	0.00
TRMB02047	2.44	0.24	0.00	0.00	0.07	0.69	0.00	0.00	0.04	0.00
TRMB02047-S	1.03	0.51	0.06	0.00	0.26	0.17	0.00	0.00	0.00	0.00
TRMB02048	1.00	0.24	0.01	0.00	0.07	0.68	0.00	0.00	0.59	0.00
TRMB02048-S	1.00	0.57	0.36	0.00	0.07	0.00	0.00	0.00	0.58	0.00
TRMB02049	1.48	0.25	0.00	0.00	0.00	0.75	0.00	0.00	0.11	0.00
TRMB02049-S	1.00	0.62	0.07	0.00	0.13	0.18	0.00	0.00	0.00	0.00
TRMB02050	1.00	0.21	0.00	0.00	0.79	0.00	0.00	0.00	0.00	0.00
TRMB02050-S	1.00	1.00	0.00	0.00	0.00	0.00	0.00	0.00	0.00	0.00
TRMB02051	1.00	0.21	0.00	0.00	0.79	0.00	0.00	0.00	0.06	0.00
TRMB02051-S	1.00	0.62	0.38	0.00	0.00	0.00	0.00	0.00	0.00	0.00
TRMB02052	3.53	0.21	0.00	0.00	0.79	0.00	0.00	0.00	0.05	0.00
TRMB02052-S	1.98	0.56	0.05	0.00	0.22	0.17	0.00	0.00	0.00	0.00
TRMB02056	3.52	0.21	0.00	0.00	0.75	0.04	0.00	0.00	0.39	0.00
TRMB02056-S	3.10	0.91	0.02	0.00	0.02	0.05	0.00	0.00	0.47	0.00
TRMB02057	4.04	0.21	0.00	0.00	0.16	0.63	0.00	0.00	0.13	0.00
TRMB02057-S	2.66	0.83	0.00	0.00	0.08	0.08	0.00	0.00	0.00	0.00
TRMB02060	1.00	0.21	0.00	0.00	0.11	0.68	0.00	0.00	0.49	0.00
TRMB02060-S	1.00	0.23	0.02	0.00	0.44	0.31	0.00	0.00	0.00	0.00
TRMB02063	1.00	0.21	0.04	0.00	0.06	0.69	0.00	0.00	0.63	0.00
TRMB02063-S	1.00	0.25	0.75	0.00	0.00	0.00	0.00	0.00	0.00	0.00
TRMB02064	1.00	0.25	0.00	0.00	0.00	0.75	0.00	0.00	0.00	0.00
TRMB02064-S	1.00	0.92	0.00	0.00	0.08	0.00	0.00	0.00	0.00	0.00
TRMB02067	1.00	0.25	0.00	0.00	0.75	0.00	0.00	0.00	0.00	0.00
TRMB02067-S	1.00	0.36	0.02	0.00	0.48	0.14	0.00	0.00	0.00	0.00
TRMB02068	1.00	0.25	0.00	0.00	0.75	0.00	0.00	0.00	0.59	0.00
TRMB02068-S	1.00	0.38	0.01	0.00	0.34	0.27	0.00	0.00	0.13	0.00
TRMB02069	1.31	0.25	0.00	0.00	0.75	0.00	0.00	0.00	0.59	0.00
TRMB02069-S	1.35	0.39	0.59	0.00	0.02	0.00	0.00	0.00	0.59	0.00
TRMB02070	1.38	0.25	0.00	0.00	0.68	0.07	0.00	0.00	0.00	0.00
TRMB02070-S	1.20	0.69	0.06	0.00	0.16	0.09	0.00	0.00	0.00	0.00
TRMB03016	2.08	0.23	0.00	0.00	0.01	0.77	0.00	0.00	0.01	0.00
TRMB03022	1.00	0.23	0.02	0.00	0.01	0.74	0.00	0.00	0.59	0.00
TRMB03025	2.03	0.25	0.00	0.00	0.00	0.75	0.00	0.00	0.61	0.00
TRMB03025-S	2.46	0.47	0.05	0.00	0.37	0.11	0.00	0.00	0.02	0.00
TRMB03026	8.84	0.26	0.00	0.00	0.06	0.01	0.00	0.67	0.03	0.00
TRMB03027	1.67	0.26	0.00	0.00	0.00	0.74	0.00	0.00	0.00	0.00
TRMB03028	2.46	0.25	0.00	0.00	0.67	0.08	0.00	0.00	0.00	0.00
TRMB03028-S	3.66	0.52	0.48	0.00	0.00	0.00	0.00	0.00	0.00	0.00
TRMB03029	1.00	0.25	0.01	0.00	0.74	0.00	0.00	0.00	0.57	0.00
TRMB03029-S	1.00	1.00	0.00	0.00	0.00	0.00	0.00	0.00	0.00	0.00
TRMB03030	1.00	0.26	0.00	0.00	0.09	0.66	0.00	0.00	0.00	0.00
TRMB03030-S	1.00	1.00	0.00	0.00	0.00	0.00	0.00	0.00	0.00	0.00
TRMB03031	1.00	0.25	0.00	0.00	0.74	0.00	0.00	0.00	0.61	0.00
TRMB03032	1.00	0.25	0.00	0.00	0.00	0.74	0.00	0.00	0.00	0.00
TRMB03032-S	1.00	0.37	0.10	0.00	0.46	0.07	0.00	0.00	0.41	0.00

Future Conditions (10-Year)

TRMB03033	10.18	0.26	0.41	0.00	0.34	0.00	0.00	0.00	0.30	0.00
TRMB03033-S	8.86	0.83	0.00	0.00	0.11	0.06	0.00	0.00	0.00	0.00
TRMB03034	1.00	0.25	0.00	0.00	0.74	0.01	0.00	0.00	0.59	0.00
TRMB03034-S	1.00	0.83	0.00	0.00	0.11	0.06	0.00	0.00	0.00	0.00
TRMB03035	50.61	0.25	0.66	0.00	0.08	0.00	0.00	0.00	0.47	0.00
TRMB03035-S	3.74	0.97	0.00	0.00	0.03	0.00	0.00	0.00	0.00	0.00
TRMB03036	1.00	0.25	0.00	0.00	0.74	0.00	0.00	0.00	0.14	0.00
TRMB03036-S	1.00	0.46	0.51	0.00	0.03	0.00	0.00	0.00	0.54	0.00
TRMB03037	1.67	0.25	0.00	0.00	0.07	0.68	0.00	0.00	0.00	0.00
TRMB03037-S	1.54	0.45	0.09	0.00	0.21	0.25	0.00	0.00	0.01	0.00
TRMB03038	3.48	0.25	0.66	0.00	0.09	0.00	0.00	0.00	0.47	0.00
TRMB03038-S	2.35	0.97	0.03	0.00	0.00	0.00	0.00	0.00	0.00	0.00
TRMB03039	1.00	0.25	0.00	0.00	0.63	0.12	0.00	0.00	0.58	0.00
TRMB03039-S	1.00	0.87	0.00	0.00	0.06	0.07	0.00	0.00	0.00	0.00
TRMB03042	1.00	0.25	0.00	0.00	0.45	0.30	0.00	0.00	0.62	0.00
TRMB03042-S	1.00	0.27	0.02	0.00	0.45	0.26	0.00	0.00	0.00	0.00
TRMB03043	1.00	0.25	0.00	0.00	0.75	0.00	0.00	0.00	0.58	0.00
TRMB03043-S	1.00	0.87	0.00	0.00	0.06	0.07	0.00	0.00	0.00	0.00
TRMB03044	1.00	0.25	0.00	0.00	0.74	0.00	0.00	0.00	0.59	0.00
TRMB03044-S	1.00	0.47	0.42	0.00	0.11	0.00	0.00	0.00	0.61	0.00
TRMB03049	4.46	0.25	0.57	0.00	0.18	0.00	0.00	0.00	0.40	0.00
TRMB03049-S	5.34	0.97	0.03	0.00	0.00	0.00	0.00	0.00	0.00	0.00
TRMB03051	6.81	0.25	0.00	0.00	0.07	0.68	0.00	0.00	0.59	0.00
TRMB03051-S	3.77	0.94	0.03	0.00	0.03	0.00	0.00	0.00	0.00	0.00
TRMB03052	2.88	0.25	0.66	0.00	0.09	0.00	0.00	0.00	0.47	0.00
TRMB03052-S	1.60	0.95	0.05	0.00	0.00	0.00	0.00	0.00	0.00	0.00
TRMB03054	1.00	0.25	0.00	0.00	0.75	0.00	0.00	0.00	0.00	0.00
TRMB03054-S	1.00	0.87	0.01	0.00	0.11	0.01	0.00	0.00	0.00	0.00
TRMB03055	1.00	0.25	0.00	0.00	0.75	0.00	0.00	0.00	0.00	0.00
TRMB03055-S	1.00	0.39	0.02	0.00	0.51	0.08	0.00	0.00	0.00	0.00
TRMB03063	1.00	0.25	0.00	0.00	0.74	0.00	0.00	0.00	0.60	0.00
TRMB03063-S	1.00	0.27	0.01	0.00	0.46	0.26	0.00	0.00	0.00	0.00
TRMB03065	1.00	0.18	0.00	0.00	0.01	0.82	0.00	0.00	0.02	0.00
TRMB03067	2.16	0.18	0.07	0.00	0.76	0.00	0.00	0.00	0.64	0.00
TRMB03067-S	1.88	0.57	0.09	0.00	0.32	0.03	0.00	0.00	0.00	0.00
TRMB03068	5.86	0.18	0.07	0.00	0.76	0.00	0.00	0.00	0.63	0.00
TRMB03068-S	5.47	0.35	0.03	0.00	0.27	0.34	0.00	0.00	0.00	0.00
TRMB03069	2.60	0.18	0.00	0.00	0.00	0.82	0.00	0.00	0.73	0.00
TRMB03069-S	1.01	0.78	0.05	0.00	0.09	0.08	0.00	0.00	0.03	0.00
TRMB03070	1.79	0.17	0.00	0.00	0.00	0.82	0.00	0.00	0.46	0.00
TRMB03070-S	1.00	0.78	0.05	0.00	0.09	0.08	0.00	0.00	0.13	0.00
TRMB03072	1.04	0.17	0.00	0.00	0.00	0.83	0.00	0.00	0.74	0.00
TRMB03072-S	1.00	0.86	0.14	0.00	0.00	0.00	0.00	0.00	0.00	0.00
TRMB03073	1.00	0.17	0.08	0.00	0.74	0.00	0.00	0.00	0.62	0.00
TRMB03073-S	1.00	0.44	0.13	0.00	0.21	0.22	0.00	0.00	0.00	0.00
TRMB03083	3.93	0.17	0.00	0.00	0.00	0.83	0.00	0.00	0.10	0.00
TRMB03083-S	2.11	1.00	0.00	0.00	0.00	0.00	0.00	0.00	0.00	0.00
TRMB03084	7.16	0.17	0.00	0.00	0.82	0.00	0.00	0.00	0.00	0.00
TRMB03084-S	9.74	0.81	0.19	0.00	0.00	0.00	0.00	0.00	0.00	0.00
TRMB03087	1.00	0.17	0.00	0.00	0.40	0.43	0.00	0.00	0.00	0.00
TRMB03087-S	1.00	0.30	0.70	0.00	0.00	0.00	0.00	0.00	0.00	0.00
TRMB03088	1.00	0.17	0.00	0.00	0.82	0.01	0.00	0.00	0.74	0.00
TRMB03088-S	1.00	0.30	0.70	0.00	0.00	0.00	0.00	0.00	0.00	0.00
TRMB03089	3.10	0.17	0.00	0.00	0.00	0.83	0.00	0.00	0.74	0.00
TRMB03089-S	1.00	1.00	0.00	0.00	0.00	0.00	0.00	0.00	0.00	0.00
TRMB03090	6.94	0.17	0.01	0.00	0.78	0.04	0.00	0.00	0.00	0.00
TRMB03090-S	6.70	0.85	0.15	0.00	0.00	0.00	0.00	0.00	0.00	0.00
TRMB03091	1.00	0.17	0.00	0.00	0.83	0.00	0.00	0.00	0.76	0.00
TRMB03091-S	1.00	0.37	0.05	0.00	0.49	0.09	0.00	0.00	0.03	0.00
TRMB03092	1.00	0.17	0.05	0.00	0.78	0.00	0.00	0.00	0.68	0.00
TRMB03092-S	1.00	0.39	0.07	0.00	0.35	0.19	0.00	0.00	0.04	0.00
TRMB03094	1.00	0.17	0.00	0.00	0.00	0.83	0.00	0.00	0.09	0.00

Future Conditions (10-Year)

TRMB03094-S	1.00	0.28	0.35	0.00	0.27	0.09	0.00	0.00	0.59	0.00
TRMB03095	21.41	0.17	0.09	0.00	0.74	0.00	0.00	0.00	0.69	0.00
TRMB03095-S	2.35	0.46	0.00	0.00	0.54	0.00	0.00	0.00	0.00	0.00
TRMB03096	2.75	0.17	0.00	0.00	0.83	0.00	0.00	0.00	0.01	0.00
TRMB03096-S	3.82	0.56	0.27	0.00	0.07	0.10	0.00	0.00	0.61	0.00
TRMB03097	1.00	0.17	0.00	0.00	0.10	0.74	0.00	0.00	0.76	0.00
TRMB03097-S	1.00	0.27	0.04	0.00	0.28	0.41	0.00	0.00	0.06	0.00
TRMB03101	21.32	0.17	0.08	0.00	0.75	0.00	0.00	0.00	0.63	0.00
TRMB03101-S	10.03	0.54	0.09	0.00	0.37	0.00	0.00	0.00	0.06	0.00
TRMB03102	2.34	0.17	0.02	0.00	0.08	0.73	0.00	0.00	0.73	0.00
TRMB03102-S	1.51	0.47	0.07	0.00	0.31	0.15	0.00	0.00	0.00	0.00
TRMB03103	1.35	0.19	0.00	0.00	0.00	0.81	0.00	0.00	0.73	0.00
TRMB03103-S	1.00	0.23	0.05	0.00	0.43	0.29	0.00	0.00	0.39	0.00
TRMB03111	1.39	0.19	0.00	0.00	0.00	0.81	0.00	0.00	0.59	0.00
TRMB03111-S	1.00	0.22	0.02	0.00	0.01	0.75	0.00	0.00	0.01	0.00
TRMB03132	1.00	0.18	0.05	0.00	0.77	0.00	0.00	0.00	0.66	0.00
TRMB03132-S	1.00	0.31	0.10	0.00	0.27	0.32	0.00	0.00	0.00	0.00
TRMB04089_1	1.00	0.23	0.00	0.00	0.77	0.00	0.00	0.00	0.55	0.00
TRMB04089_1-S	1.00	0.24	0.00	0.00	0.00	0.75	0.00	0.00	0.10	0.00
TRMB04089_2	1.00	0.23	0.00	0.00	0.77	0.00	0.00	0.00	0.38	0.00
TRMB04089_2-S	1.00	0.26	0.00	0.00	0.03	0.71	0.00	0.00	0.00	0.00
TRMB05002	6.28	0.20	0.00	0.00	0.00	0.79	0.00	0.00	0.04	0.00
TRMB05003	1.28	0.20	0.00	0.00	0.01	0.79	0.00	0.00	0.00	0.00
TRMB05003-S	1.00	0.96	0.00	0.00	0.04	0.00	0.00	0.00	0.00	0.00
TRMB05004	11.73	0.20	0.02	0.00	0.78	0.00	0.00	0.00	0.00	0.00
TRMB05004-S	25.46	0.63	0.33	0.00	0.04	0.00	0.00	0.00	0.54	0.00
TRMB05005	3.12	0.20	0.06	0.00	0.73	0.00	0.00	0.00	0.00	0.00
TRMB05005-S	3.52	0.56	0.07	0.00	0.20	0.16	0.00	0.00	0.00	0.00
TRMB05006	1.00	0.20	0.00	0.00	0.80	0.00	0.00	0.00	0.52	0.00
TRMB05006-S	1.00	0.94	0.03	0.00	0.03	0.00	0.00	0.00	0.00	0.00
TRMB05008	1.00	0.20	0.05	0.00	0.75	0.00	0.00	0.00	0.60	0.00
TRMB05008-S	1.00	0.61	0.38	0.00	0.01	0.00	0.00	0.00	0.51	0.00
TRMB05009_1	1.00	0.20	0.00	0.00	0.01	0.79	0.00	0.00	0.12	0.00
TRMB05009_1-S	1.00	0.55	0.32	0.00	0.03	0.10	0.00	0.00	0.42	0.00
TRMB05009_2	1.00	0.20	0.00	0.00	0.11	0.69	0.00	0.00	0.67	0.00
TRMB05009_2-S	1.00	0.53	0.03	0.00	0.32	0.12	0.00	0.00	0.00	0.00
TRMB05010	7.50	0.20	0.03	0.00	0.77	0.00	0.00	0.00	0.66	0.00
TRMB05010-S	1.49	0.71	0.29	0.00	0.00	0.00	0.00	0.00	0.59	0.00
TRMB05011	4.39	0.23	0.00	0.00	0.00	0.77	0.00	0.00	0.28	0.00
TRMB05011-S	2.93	0.71	0.29	0.00	0.00	0.00	0.00	0.00	0.00	0.00
TRMB05012	1.64	0.23	0.00	0.00	0.77	0.00	0.00	0.00	0.00	0.00
TRMB05012-S	1.28	0.78	0.22	0.00	0.00	0.00	0.00	0.00	0.00	0.00
TRMB05013	62.80	0.20	0.05	0.00	0.74	0.00	0.00	0.00	0.62	0.00
TRMB05013-S	22.44	0.61	0.27	0.00	0.03	0.10	0.00	0.00	0.46	0.00
TRMB05014	9.71	0.20	0.06	0.00	0.74	0.00	0.00	0.00	0.62	0.00
TRMB05014-S	3.83	0.67	0.21	0.00	0.03	0.10	0.00	0.00	0.46	0.00
TRMB05015	1.00	0.20	0.00	0.00	0.18	0.62	0.00	0.00	0.00	0.00
TRMB05015-S	1.00	0.56	0.00	0.00	0.22	0.22	0.00	0.00	0.00	0.00
TRMB05016	7.68	0.20	0.00	0.00	0.64	0.16	0.00	0.00	0.70	0.00
TRMB05016-S	2.36	0.56	0.00	0.00	0.22	0.22	0.00	0.00	0.00	0.00
TRMB05017	1.56	0.20	0.03	0.00	0.77	0.00	0.00	0.00	0.04	0.00
TRMB05017-S	1.25	0.33	0.12	0.00	0.25	0.30	0.00	0.00	0.26	0.00
TRMB05018	7.13	0.20	0.05	0.00	0.75	0.00	0.00	0.00	0.63	0.00
TRMB05018-S	2.41	0.56	0.00	0.00	0.22	0.22	0.00	0.00	0.00	0.00
TRMB05019	8.18	0.20	0.00	0.00	0.00	0.79	0.00	0.00	0.01	0.00
TRMB05019-S	7.74	0.86	0.00	0.00	0.05	0.10	0.00	0.00	0.00	0.00
TRMB05020	3.71	0.20	0.00	0.00	0.76	0.04	0.00	0.00	0.62	0.00
TRMB05020-S	2.62	0.55	0.31	0.00	0.05	0.10	0.00	0.00	0.46	0.00
TRMB05021	1.00	0.20	0.00	0.00	0.75	0.05	0.00	0.00	0.62	0.00
TRMB05021-S	1.00	0.93	0.06	0.00	0.02	0.00	0.00	0.00	0.00	0.00
TRMB05022	5.95	0.24	0.02	0.00	0.75	0.00	0.00	0.00	0.00	0.00
TRMB05022-S	4.30	0.52	0.34	0.00	0.04	0.10	0.00	0.00	0.01	0.00

Future Conditions (10-Year)

TRMB05023	1.00	0.24	0.00	0.00	0.76	0.00	0.00	0.00	0.65	0.00
TRMB05023-S	1.00	0.24	0.31	0.00	0.45	0.00	0.00	0.00	0.63	0.00
TRMB05025	25.30	0.23	0.01	0.00	0.61	0.14	0.00	0.00	0.64	0.00
TRMB05025-S	8.01	0.35	0.10	0.00	0.38	0.17	0.00	0.00	0.29	0.00
TRMB05026	7.07	0.24	0.00	0.00	0.00	0.76	0.00	0.00	0.64	0.00
TRMB05026-S	2.28	1.00	0.00	0.00	0.00	0.00	0.00	0.00	0.00	0.00
TRMB05027	17.75	0.23	0.03	0.00	0.58	0.16	0.00	0.00	0.62	0.00
TRMB05027-S	8.13	0.36	0.09	0.00	0.39	0.16	0.00	0.00	0.31	0.00
TRMB05028	1.00	0.20	0.00	0.00	0.26	0.54	0.00	0.00	0.00	0.00
TRMB05028-S	1.00	0.58	0.01	0.00	0.41	0.00	0.00	0.00	0.50	0.00
TRMB05029	2.49	0.20	0.03	0.00	0.77	0.00	0.00	0.00	0.00	0.00
TRMB05029-S	2.09	0.74	0.05	0.00	0.13	0.08	0.00	0.00	0.00	0.00
TRMB05030	4.51	0.20	0.02	0.00	0.77	0.00	0.00	0.00	0.62	0.00
TRMB05030-S	3.36	0.52	0.10	0.00	0.38	0.00	0.00	0.00	0.51	0.00
TRMB05031	2.21	0.20	0.02	0.00	0.78	0.00	0.00	0.00	0.64	0.00
TRMB05031-S	1.00	0.61	0.24	0.00	0.16	0.00	0.00	0.00	0.53	0.00
TRMB05032	1.92	0.20	0.05	0.00	0.75	0.00	0.00	0.00	0.59	0.00
TRMB05032-S	1.00	0.59	0.21	0.00	0.21	0.00	0.00	0.00	0.50	0.00
TRMB05033	1.53	0.23	0.00	0.00	0.77	0.00	0.00	0.00	0.00	0.00
TRMB05033-S	1.00	0.62	0.00	0.00	0.28	0.10	0.00	0.00	0.02	0.00
TRMB05034	2.47	0.25	0.00	0.00	0.39	0.35	0.00	0.00	0.00	0.00
TRMB05034-S	2.06	0.54	0.15	0.00	0.06	0.25	0.00	0.00	0.02	0.00
TRMB05035	10.07	0.20	0.00	0.00	0.00	0.80	0.00	0.00	0.70	0.00
TRMB05035-S	2.09	0.32	0.13	0.00	0.43	0.13	0.00	0.00	0.00	0.00
TRMB05036	1.34	0.20	0.05	0.00	0.00	0.75	0.00	0.00	0.00	0.00
TRMB05036-S	1.10	0.39	0.27	0.00	0.34	0.00	0.00	0.00	0.51	0.00
TRMB05037	3.97	0.25	0.00	0.00	0.49	0.26	0.00	0.00	0.62	0.00
TRMB05037-S	2.32	0.68	0.04	0.00	0.16	0.11	0.00	0.00	0.01	0.00
TRMB05038	1.54	0.20	0.05	0.00	0.00	0.75	0.00	0.00	0.00	0.00
TRMB05038-S	1.00	0.52	0.23	0.00	0.25	0.00	0.00	0.00	0.51	0.00
TRMB05039	2.08	0.25	0.00	0.00	0.74	0.00	0.00	0.00	0.15	0.00
TRMB05039-S	1.81	0.67	0.04	0.00	0.26	0.04	0.00	0.00	0.31	0.00
TRMB05040	1.00	0.20	0.00	0.00	0.80	0.00	0.00	0.00	0.63	0.00
TRMB05040-S	1.00	0.38	0.06	0.00	0.38	0.18	0.00	0.00	0.15	0.00
TRMB05041	1.81	0.20	0.00	0.00	0.59	0.21	0.00	0.00	0.22	0.00
TRMB05041-S	1.47	0.28	0.13	0.00	0.42	0.17	0.00	0.00	0.18	0.00
TRMB05042	2.30	0.24	0.00	0.00	0.76	0.00	0.00	0.00	0.00	0.00
TRMB05042-S	2.05	0.68	0.32	0.00	0.00	0.00	0.00	0.00	0.00	0.00
TRMB05044	1.00	0.20	0.02	0.00	0.77	0.00	0.00	0.00	0.66	0.00
TRMB05044-S	1.00	0.27	0.14	0.00	0.38	0.21	0.00	0.00	0.17	0.00
TRMB05045	1.00	0.20	0.00	0.00	0.04	0.76	0.00	0.00	0.05	0.00
TRMB05045-S	1.00	0.30	0.11	0.00	0.38	0.21	0.00	0.00	0.00	0.00
TRMB05046	7.12	0.21	0.00	0.00	0.02	0.78	0.00	0.00	0.04	0.00
TRMB05046-S	7.70	0.86	0.14	0.00	0.00	0.00	0.00	0.00	0.00	0.00
TRMB05048	2.44	0.21	0.00	0.00	0.74	0.05	0.00	0.00	0.65	0.00

 Conduit Surcharge Summary

Conduit	Hours Full			Hours	
	Both Ends	Upstream	Dnstream	Above Normal Flow	Capacity Limited
C14	5.90	5.90	5.90	2.80	0.01
C2_1	23.70	23.70	23.70	0.01	0.01
CountrySideE_Ditch	7.73	7.73	7.73	0.01	0.01
JMTB01003	11.89	11.89	11.89	0.01	0.01
JMTB01004	11.91	11.91	11.91	0.08	0.01
JMTB01005	11.86	11.86	11.86	3.54	11.86

Future Conditions (10-Year)

JMTB01103	1.19	1.19	1.20	0.01	0.01
JMTB01104	5.45	5.45	5.47	0.01	0.01
PCTB02008	0.01	0.01	0.01	6.03	0.01
PCTB02021	8.11	8.11	8.11	0.01	0.01
PCTB02022	12.15	12.15	12.15	3.93	0.01
PCTB02023	12.01	12.01	12.01	0.01	0.01
PCTB02080	23.45	23.45	23.46	23.75	0.01
PCTB02189	23.69	23.69	23.69	0.01	0.01
PCTB02231	23.63	23.63	23.63	12.05	0.01
PCTB02237	6.12	6.12	6.12	2.80	0.01
PCTB02260	0.01	0.01	0.01	3.89	0.01
PCTB02276	0.01	0.01	0.01	6.53	0.01
PCTB02278	10.78	10.78	10.78	0.01	3.38
PCTB02280	23.57	23.57	23.57	1.48	0.01
PCTB02281	23.56	23.56	23.56	0.01	0.01
PCTB02282	23.53	23.53	23.53	0.01	0.01
PCTB02283	23.53	23.53	23.53	12.40	0.01
PCTB02284	23.53	23.53	23.53	0.01	0.01
PCTB02294	23.49	23.49	23.49	0.12	0.01
PCTB02297	23.50	23.50	23.50	0.01	0.01
PCTB02303	23.45	23.45	23.45	0.01	0.01
PCTB02304	23.45	23.45	23.45	0.01	0.01
PCTB02329	10.32	10.32	10.32	12.09	10.32
PCTB02330	11.97	11.97	11.97	11.41	0.01
PCTB02331	12.02	12.02	12.02	10.33	4.37
TRMB02006	0.92	0.92	0.92	0.47	0.52
TRMB02015	0.01	0.01	0.01	0.62	0.01
TRMB02016	0.73	0.73	0.73	1.27	0.73
TRMB02018	1.74	1.74	1.74	2.02	1.74
TRMB02022	1.81	1.81	1.81	2.08	1.80
TRMB02023	1.51	1.51	1.51	0.01	0.01
TRMB02030	1.47	1.47	1.47	0.01	0.01
TRMB02032	0.73	0.73	0.73	0.01	0.03
TRMB02033	0.59	0.59	0.59	0.01	0.01
TRMB02034	0.70	0.70	0.70	1.08	0.70
TRMB02035	1.01	1.01	1.01	0.01	0.01
TRMB02044_1	0.92	0.92	0.93	0.01	0.01
TRMB02044_2	1.85	1.85	1.85	3.35	1.85
TRMB02045	0.92	0.92	0.93	0.01	0.01
TRMB02046	0.60	0.60	0.60	0.01	0.01
TRMB02050	0.97	0.97	0.97	0.53	0.60
TRMB02051	0.99	0.99	0.99	0.53	0.47
TRMB02052	0.99	0.99	0.99	0.01	0.01
TRMB02056	0.95	0.95	0.95	0.01	0.27
TRMB02057	0.93	0.93	0.93	0.01	0.29
TRMB02067	0.30	0.30	0.30	1.20	0.30
TRMB02068	0.70	0.70	0.70	0.08	0.18
TRMB02069	0.62	0.62	0.62	0.01	0.01
TRMB02070	0.60	0.60	0.60	0.01	0.01
TRMB03022	1.00	1.00	1.01	0.89	0.93
TRMB03028	0.01	0.01	0.01	2.71	0.01
TRMB03029	0.92	0.92	0.92	0.01	0.11
TRMB03030	0.92	0.92	0.92	0.58	0.92
TRMB03032	0.01	0.01	0.01	0.62	0.01
TRMB03033	0.66	0.66	0.66	0.01	0.01
TRMB03034	0.72	0.72	0.72	0.01	0.01
TRMB03035	0.23	0.23	0.23	0.01	0.01
TRMB03036	0.93	0.93	0.93	0.99	0.93
TRMB03037	0.72	0.72	0.72	0.03	0.71
TRMB03039	0.83	0.83	0.83	0.01	0.01
TRMB03043	0.77	0.77	0.77	0.01	0.01
TRMB03044	0.67	0.67	0.67	0.01	0.01

Future Conditions (10-Year)

TRMB03049	0.80	0.80	0.80	0.01	0.01
TRMB03051	0.64	0.64	0.64	0.01	0.01
TRMB03052	0.57	0.57	0.57	0.01	0.01
TRMB03054	0.63	0.63	0.63	0.58	0.56
TRMB03055	0.73	0.73	0.73	0.37	0.16
TRMB03084	0.45	0.45	0.45	0.17	0.44
TRMB03087	0.76	0.76	0.76	1.82	0.76
TRMB05004	5.42	5.42	5.48	0.01	0.20
TRMB05005	2.75	2.75	2.80	0.01	0.01
TRMB05006	0.01	0.01	0.01	0.81	0.01
TRMB05015	0.01	0.01	0.01	0.75	0.01
TRMB05021	0.74	0.74	0.74	0.72	0.73
TRMB05028	0.74	0.74	0.74	0.84	0.74
TRMB05029	0.76	0.76	0.76	0.01	0.01
TRMB05030	0.73	0.73	0.73	0.01	0.01
TRMB05031	0.63	0.63	0.63	0.01	0.01
TRMB05032	0.67	0.67	0.67	0.01	0.01
TRMB05033	0.73	0.73	0.73	3.67	0.71
TRMB05034	0.66	0.66	0.66	0.01	0.01
TRMB05045	0.01	0.01	0.01	0.14	0.01

Analysis begun on: Thu Dec 17 15:41:31 2015
Analysis ended on: Thu Dec 17 15:41:45 2015
Total elapsed time: 00:00:14

SECONDARY SYSTEM
ALTERNATIVE #1:
SWMM INPUT

Project: PC/JMR Watershed Master Plan
 Location: Countryside/Oak Grove System (Future)
 Prepared by: YB
 Checked by:
 Date: December 2015

SWMM Sub-Basin ID	Area (acres)	Area (sq. ft)	Width (ft.)	Flow Length (ft)	Curve Number	Basin Slope (%)
PC_1323	17	759464	153.331	4953.103	85.245089	0.5
PC_1324	21	904197	182.55	4953.145	90.537919	0.5
PC_1325	31	1346997	271.949	4953.124	87.243401	0.5
PC_1326	66	2876045	1100	2614.586	88.229762	0.5
PC_1327	14	596358	120.399	4953.182	78.527625	0.5
SubCatch_FLEMING_SCHOOL_RD	27	1185951	239.435	4953.125	65.391816	0.5
SubCatch_FLEMING_SCHOOL_RD_1	29	1271935	256.794	4953.132	74.803833	0.5
SubCatch_FLEMING_SCHOOL_RD_2	4	159761	32.254	4953.204	83	0.5
SubCatch_STATON_HOUSE_RD	31.5803	1375638	277.732	4953.113	78.527625	0.5

Project: PC/JMR Watershed Master Plan
 Location: Haw Drive/ Airport System (Future)
 Prepared by: YB
 Checked by:
 Date: December 2015

SWMM Sub-Basin ID	Area (acres)	Area (sq. ft)	Width (ft.)	Flow Length (ft)	Curve Number	Basin Slope (%)
SubCatch_E_CATAWBA_RD	18	793262	160.154	4953.123	81.649143	0.5
SubCatch_HAW_1	2.9	125710	25.38	4953.105	86	0.5
SubCatch_HAW_2	18	765349	550	1391.544	81.649143	0.5
SubCatch_HOP_TYSON_RD	17	757861	153.007	4953.115	81.649143	0.5
SubCatch_TRENT_CI	10	441407	89.117	4953.113	75.421707	0.5

Project: PC/JMR Watershed Master Plan
 Location: Greenfield Terrace System (Future)
 Prepared by: YB
 Checked by:
 Date: December 2015

SWMM Sub-Basin ID	Area (acres)	Area (sq. ft)	Width (ft.)	Flow Length (ft)	Curve Number	Basin Slope (%)
SubCatch_BELVOIR_HW	36	1586098	320.222	4953.12	90.297187	0.5
SubCatch_GREENFIELD_BV	29	1283779	259.186	4953.117	78.351103	0.5
SubCatch_GREENFIELD_BV_1	8	360520	72.787	4953.082	86	0.5
SubCatch_GREENFIELD_BV_2	9	373675	75.442	4953.144	83.06413	0.5
SubCatch_N_MEMORIAL_DR	18	771029	155.665	4953.133	83.06413	0.5
SubCatch_TRENT_CI_1	28	1229019	248.129	4953.146	79.5	0.5
SubCatch_WOODSIDE_RD	22	950470	191.892	4953.153	83.06413	0.5
SubCatch_WOODSIDE_RD_1	11.3439	494140	99.764	4953.092	84.5	0.5

**SECONDARY SYSTEM
ALTERNATIVE #1:
SWMM OUTPUT**

Alternative #1 (10-Year)

EPA STORM WATER MANAGEMENT MODEL - VERSION 5.1 (Build 5.1.007)

 NOTE: The summary statistics displayed in this report are based on results found at every computational time step, not just on results from each reporting time step.

Analysis Options

Flow Units CFS
 Process Models:
 Rainfall/Runoff YES
 RDII NO
 Snowmelt NO
 Groundwater NO
 Flow Routing YES
 Ponding Allowed NO
 Water Quality NO
 Infiltration Method CURVE_NUMBER
 Flow Routing Method DYNWAVE
 Starting Date APR-17-2015 00:00:00
 Ending Date APR-17-2015 23:45:00
 Antecedent Dry Days 0.0
 Report Time Step 00:05:00
 Wet Time Step 00:01:00
 Dry Time Step 01:00:00
 Routing Time Step 5.00 sec
 Variable Time Step YES
 Maximum Trials 8
 Head Tolerance 0.005000 ft

Element Count

Number of rain gages 1
 Number of subcatchments ... 115
 Number of nodes 385
 Number of links 525
 Number of pollutants 0
 Number of land uses 0

Raingage Summary

Name	Data Source	Data Type	Recording Interval
SCS_Rain	SCSStorms	VOLUME	15 min.

Subcatchment Summary

Name	Area	Width	%Imperv	%Slope	Rain Gage
Outlet					

Alternative #1 (10-Year)

PC 1321	42.52	373.98	13.09	0.5000	SCS_Rain
PCTB02235-S					
PC 1323	17.43	153.33	10.21	0.5000	SCS_Rain
PCTB02257_1-S					
PC 1324	20.76	182.55	0.00	0.5000	SCS_Rain
CountrySideE_Ditch_Culvert_In-S					
PC 1325	30.92	271.95	0.00	0.5000	SCS_Rain
CountrySideE_Ditch_Culvert_In-S					
PC 1326	66.02	1100.00	0.00	0.5000	SCS_Rain
JMTB01006-S					
PC 1327	13.69	120.40	2.96	0.5000	SCS_Rain
JMTB01006-S					
PC 1350	58.26	512.33	8.60	0.5000	SCS_Rain
PCTB02004-S					
PC 1360	38.27	336.59	8.31	0.5000	SCS_Rain
PCTB02005					
PC 571	162.61	2150.00	1.31	0.5000	SCS_Rain
PCTB02009					
SubCatch_ASH_ST	1.28	221.00	50.19	2.0000	SCS_Rain
TRMB02051-S					
SubCatch_AVERY_ST	0.44	37.00	17.67	2.0000	SCS_Rain
TRMB03068-S					
SubCatch_BELVOIR_HW	36.41	320.22	45.57	0.5000	SCS_Rain
PCTB02189-S					
SubCatch_BELVOIR_HW_1	26.16	230.08	1.40	0.5000	SCS_Rain
PCTB02012-S					
SubCatch_CHESTNUT_ST	19.25	2310.00	48.83	2.0000	SCS_Rain
TRMB04089-S					
SubCatch_COLONIAL_AV	0.39	47.00	44.12	2.0000	SCS_Rain
TRMB05009_DS-S					
SubCatch_COLONIAL_AV_1	0.35	35.00	50.58	2.0000	SCS_Rain
TRMB05044-S					
SubCatch_CONTENTNEA_ST	0.03	4.00	92.18	2.0000	SCS_Rain
TRMB05028-S					
SubCatch_CONTENTNEA_ST_1	1.89	227.00	41.36	2.0000	SCS_Rain
TRMB05033-S					
SubCatch_CONTENTNEA_ST_2	1.99	289.00	0.00	2.0000	SCS_Rain
TRMB05034-S					
SubCatch_CONTENTNEA_ST_3	0.78	94.00	40.22	2.0000	SCS_Rain
TRMB05012-S					
SubCatch_CONTENTNEA_ST_4	1.54	185.00	45.59	2.0000	SCS_Rain
TRMB05042-S					
SubCatch_CONTENTNEA_ST_5	1.51	181.00	30.71	2.0000	SCS_Rain
TRMB05010-S					
SubCatch_CONTENTNEA_ST_6	0.27	32.00	28.46	2.0000	SCS_Rain
TRMB05030-S					
SubCatch_DAVIS_ST	0.63	63.00	54.99	2.0000	SCS_Rain
TRMB05038-S					
SubCatch_DAVIS_ST_1	0.85	85.00	41.38	2.0000	SCS_Rain
TRMB05039-S					
SubCatch_DAVIS_ST_2	2.15	214.00	0.00	2.0000	SCS_Rain
TRMB05048-S					
SubCatch_DAVIS_ST_3	1.24	124.00	40.49	2.0000	SCS_Rain
TRMB05041-S					
SubCatch_DAVIS_ST_4	1.64	164.00	41.51	2.0000	SCS_Rain
TRMB05040-S					
SubCatch_E_1ST_ST	5.28	440.00	28.98	2.0000	SCS_Rain
TRMB03087-S					
SubCatch_E_1ST_ST_1	0.55	95.00	42.81	2.0000	SCS_Rain
TRMB02022-S					

Alternative #1 (10-Year)

SubCatch_E_1ST_ST_2 TRMB03073-S	2.53	211.00	37.57	2.0000	SCS_Rain
SubCatch_E_2ND_ST TRMB03097-S	4.61	384.00	63.85	2.0000	SCS_Rain
SubCatch_E_2ND_ST_1 TRMB03094-S	0.03	3.00	77.16	2.0000	SCS_Rain
SubCatch_E_2ND_ST_2 TRMB03095-S	0.01	1.00	1.19	2.0000	SCS_Rain
SubCatch_E_2ND_ST_3 TRMB03101-S	0.09	8.00	3.17	2.0000	SCS_Rain
SubCatch_E_2ND_ST_4 TRMB03102-S	0.73	61.00	20.01	2.0000	SCS_Rain
SubCatch_E_3RD_ST TRMB02044_DS-S	1.30	225.00	0.00	2.0000	SCS_Rain
SubCatch_E_3RD_ST_1 TRMB03111-S	6.69	558.00	55.01	2.0000	SCS_Rain
SubCatch_E_3RD_ST_2 TRMB02049-S	1.92	332.00	35.41	2.0000	SCS_Rain
SubCatch_E_3RD_ST_3 TRMB02047-S	1.77	306.00	39.28	2.0000	SCS_Rain
SubCatch_E_4TH_ST TRMB02070-S	0.94	162.00	34.68	2.0000	SCS_Rain
SubCatch_E_4TH_ST_1 TRMB02060-S	3.06	529.00	53.26	2.0000	SCS_Rain
SubCatch_E_4TH_ST_2 TRMB02060-S	0.85	147.00	23.57	2.0000	SCS_Rain
SubCatch_E_CATAWBA_RD PCTB02331-S	18.21	160.15	24.62	0.5000	SCS_Rain
SubCatch_FAIRFAX_AV TRMB05008-S	1.08	130.00	37.23	2.0000	SCS_Rain
SubCatch_FLEMING_SCHOOL_RD JMTB01102-S	27.23	239.44	14.41	0.5000	SCS_Rain
SubCatch_FLEMING_SCHOOL_RD_1 JMTB01105-S	29.20	256.79	0.58	0.5000	SCS_Rain
SubCatch_FLEMING_SCHOOL_RD_2 JMTB01104-S	3.67	32.25	10.32	0.5000	SCS_Rain
SubCatch_GREENFIELD_BV PCTB02303-S	29.47	259.19	9.71	0.5000	SCS_Rain
SubCatch_GREENFIELD_BV_1 PCTB02282-S	8.28	72.79	39.47	0.5000	SCS_Rain
SubCatch_GREENFIELD_BV_2 PCTB02292-S	8.58	75.44	0.00	0.5000	SCS_Rain
SubCatch_HAW_1 PCTB02001-S	2.89	25.38	4.16	0.5000	SCS_Rain
SubCatch_HAW_2 PCTB01068_US-S	17.57	550.00	3.44	0.5000	SCS_Rain
SubCatch_HOP_TYSON_RD PCTB02022-S	17.40	153.01	21.97	0.5000	SCS_Rain
SubCatch_JOHNSON_HEIGHTS TRMB02016-S	2.75	475.00	51.81	2.0000	SCS_Rain
SubCatch_LATHAM_ST TRMB05031-S	2.61	313.00	35.50	2.0000	SCS_Rain
SubCatch_N_ELM_ST TRMB02023-S	2.91	503.00	36.98	2.0000	SCS_Rain
SubCatch_N_ELM_ST_1 TRMB02002-S	2.36	408.00	17.68	2.0000	SCS_Rain
SubCatch_N_ELM_ST_2 TRMB02009-S	7.64	1321.00	46.59	2.0000	SCS_Rain
SubCatch_N_HARDING_ST TRMB03031-S	2.29	427.00	26.13	2.0000	SCS_Rain
SubCatch_N_HARDING_ST_1 TRMB03025-S	1.53	285.00	41.63	2.0000	SCS_Rain

Alternative #1 (10-Year)

SubCatch_N_HARDING_ST_2 TRMB03044-S	2.98	555.00	36.35	2.0000	SCS_Rain
SubCatch_N_JARVIS_ST TRMB03084-S	3.10	258.00	0.00	2.0000	SCS_Rain
SubCatch_N_LIBRARY_ST TRMB03055-S	2.70	503.00	40.77	2.0000	SCS_Rain
SubCatch_N_MEMORIAL_DR PCTB02294-S	17.70	155.66	9.73	0.5000	SCS_Rain
SubCatch_N_OAK_ST TRMB02044_DS-S	8.35	1046.00	49.49	2.0000	SCS_Rain
SubCatch_N_OAK_ST_1 TRMB02022-S	0.69	119.00	51.65	2.0000	SCS_Rain
SubCatch_N_OAK_ST_2 TRMB02018-S	3.01	520.00	43.48	2.0000	SCS_Rain
SubCatch_N_SUMMIT_ST TRMB03067-S	0.25	21.00	19.14	2.0000	SCS_Rain
SubCatch_N_SUMMIT_ST_1 TRMB03068-S	4.73	394.00	41.66	2.0000	SCS_Rain
SubCatch_PARK_DR TRMB03032-S	1.43	266.00	15.62	2.0000	SCS_Rain
SubCatch_RIVER_DR TRMB03016	4.38	816.00	29.82	2.0000	SCS_Rain
SubCatch_S_ELM_ST TRMB02044_DS-S	6.41	1108.00	0.00	2.0000	SCS_Rain
SubCatch_S_ELM_ST_1 TRMB02068-S	2.60	449.00	42.97	2.0000	SCS_Rain
SubCatch_S_HARDING_ST TRMB03042-S	4.55	848.00	36.94	2.0000	SCS_Rain
SubCatch_S_LIBRARY_ST TRMB03063-S	4.77	889.00	36.14	2.0000	SCS_Rain
SubCatch_S_OAK_ST TRMB02067-S	1.83	316.00	37.25	2.0000	SCS_Rain
SubCatch_S_OAK_ST_1 TRMB02060-S	1.21	209.00	39.18	2.0000	SCS_Rain
SubCatch_S_ROTARY_AV TRMB03103-S	4.53	378.00	53.50	2.0000	SCS_Rain
SubCatch_S_ROTARY_AV_1 TRMB03037-S	4.43	825.00	43.91	2.0000	SCS_Rain
SubCatch_S_ROTARY_AV_2 TRMB03092-S	1.84	153.00	36.90	2.0000	SCS_Rain
SubCatch_S_ROTARY_AV_3 TRMB03091-S	0.78	65.00	38.29	2.0000	SCS_Rain
SubCatch_S_ROTARY_AV_5 TRMB03091-S	0.64	53.00	16.23	2.0000	SCS_Rain
SubCatch_S_WOODLAWN_AV TRMB03092-S	0.93	78.00	39.14	2.0000	SCS_Rain
SubCatch_SPRUCE_ST TRMB04089-S	49.16	1680.00	0.00	2.0000	SCS_Rain
SubCatch_STATON_HOUSE_RD JMTB01003-S	31.58	277.73	20.02	0.5000	SCS_Rain
SubCatch_STUDENT_ST TRMB03111-S	5.72	477.00	52.36	2.0000	SCS_Rain
SubCatch_TRENT_CI PCTB02001-S	10.13	89.12	11.29	0.5000	SCS_Rain
SubCatch_TRENT_CI_1 PCTB02304-S	28.21	248.13	18.68	0.5000	SCS_Rain
SubCatch_VANCE_2 TRMB04089-S	2.88	346.00	37.50	2.0000	SCS_Rain
SubCatch_VANCE_ST_1 TRMB05020-S	0.03	4.00	77.00	2.0000	SCS_Rain
SubCatch_VANCE_ST_2 TRMB05025-S	0.32	38.00	32.06	2.0000	SCS_Rain

Alternative #1 (10-Year)

SubCatch_VANCE_ST_3 TRMB05017_US-S	1.15	138.00	49.80	2.0000	SCS_Rain
SubCatch_VANCE_ST_4 TRMB05014-S	1.19	143.00	38.75	2.0000	SCS_Rain
SubCatch_VANCE_ST_5 TRMB05005-S	1.19	143.00	34.77	2.0000	SCS_Rain
SubCatch_VANCE_ST_6 TRMB05027-S	0.23	28.00	51.78	2.0000	SCS_Rain
SubCatch_VANCE_ST_7 TRMB05004-S	0.28	34.00	29.92	2.0000	SCS_Rain
SubCatch_W_3RD_ST TRMB05015-S	0.01	1.00	86.79	2.0000	SCS_Rain
SubCatch_W_3RD_ST_1 TRMB05035-S	0.02	2.00	84.81	2.0000	SCS_Rain
SubCatch_W_3RD_ST_2 TRMB05036-S	0.29	29.00	54.15	2.0000	SCS_Rain
SubCatch_W_3RD_ST_3 TRMB05037-S	1.04	104.00	42.19	2.0000	SCS_Rain
SubCatch_W_3RD_ST_5 TRMB05029-S	0.75	90.00	32.88	2.0000	SCS_Rain
SubCatch_W_3RD_ST_6 TRMB05013-S	0.42	50.00	58.84	2.0000	SCS_Rain
SubCatch_W_3RD_ST_7 TRMB05023-S	0.17	20.00	54.76	2.0000	SCS_Rain
SubCatch_W_3RD_ST_8 TRMB05022-S	0.48	58.00	39.10	2.0000	SCS_Rain
SubCatch_W_3RD_ST_9 TRMB05045-S	1.40	340.00	0.00	2.0000	SCS_Rain
SubCatch_W_4TH_ST TRMB04265-S	0.80	96.00	35.46	2.0000	SCS_Rain
SubCatch_W_4TH_ST_2 TRMB05032-S	0.68	82.00	50.66	2.0000	SCS_Rain
SubCatch_W_5th_ST TRMB04089-S	8.56	1027.00	55.61	2.0000	SCS_Rain
SubCatch_WILLOW_ST TRMB03016	2.14	399.00	12.38	2.0000	SCS_Rain
SubCatch_WILLOW_ST_1 TRMB03027	0.42	78.00	44.87	2.0000	SCS_Rain
SubCatch_WILSONACRES_APT TRMB02044_DS-S	6.11	1056.00	50.07	2.0000	SCS_Rain
SubCatch_WOODSIDE_RD PCTB02292-S	21.82	191.89	17.45	0.5000	SCS_Rain
SubCatch_WOODSIDE_RD_1 PCTB02297-S	11.34	99.76	12.60	0.5000	SCS_Rain
SubInsert PCTB02189-S	16.40	144.20	51.53	0.5000	SCS_Rain

Node Summary

Name	Type	Invert Elev.	Max. Depth	Ponded Area	External Inflow
CountrySideE_Ditch_Culvert_In	JUNCTION		21.65	5.85	0.0
CountrySideE_Ditch_Culvert_In-S	JUNCTION		27.50	0.75	0.0
J1	JUNCTION	21.64	2.10	0.0	
J2	JUNCTION	41.52	5.46	0.0	
J3	JUNCTION	24.00	7.44	0.0	
J4	JUNCTION	0.00	22.73	0.0	
J5	JUNCTION	14.88	5.35	0.0	
J6	JUNCTION	17.50	7.63	0.0	

Alternative #1 (10-Year)

J7	JUNCTION	11.85	6.70	0.0
J8	JUNCTION	11.12	7.21	0.0
J9	JUNCTION	14.14	0.87	0.0
JMTB01003	JUNCTION	25.02	2.50	0.0
JMTB01003-S	JUNCTION	27.02	0.75	0.0
JMTB01004	JUNCTION	25.00	2.52	0.0
JMTB01004-S	JUNCTION	27.59	0.75	0.0
JMTB01005	JUNCTION	24.90	2.01	0.0
JMTB01005-S	JUNCTION	27.29	0.75	0.0
JMTB01006	JUNCTION	24.59	2.00	0.0
JMTB01006-S	JUNCTION	26.54	0.75	0.0
JMTB01102	JUNCTION	26.59	2.47	0.0
JMTB01102-S	JUNCTION	29.06	0.75	0.0
JMTB01103	JUNCTION	26.42	3.15	0.0
JMTB01103-S	JUNCTION	29.57	0.75	0.0
JMTB01104	JUNCTION	26.63	3.11	0.0
JMTB01104-S	JUNCTION	29.74	0.75	0.0
JMTB01105	JUNCTION	26.03	2.50	0.0
JMTB01105-S	JUNCTION	27.81	0.75	0.0
PCTB01068	JUNCTION	19.35	6.01	0.0
PCTB01068_US	JUNCTION	20.00	5.30	0.0
PCTB01068_US-S	JUNCTION	25.30	0.75	0.0
PCTB01068-S	JUNCTION	25.36	0.75	0.0
PCTB02001	JUNCTION	21.78	2.10	0.0
PCTB02001-S	JUNCTION	23.38	0.75	0.0
PCTB02002	JUNCTION	21.85	2.26	0.0
PCTB02002-S	JUNCTION	24.25	0.75	0.0
PCTB02003	JUNCTION	23.98	2.25	0.0
PCTB02003-S	JUNCTION	26.23	0.75	0.0
PCTB02004	JUNCTION	24.16	4.00	0.0
PCTB02004-S	JUNCTION	26.41	0.75	0.0
PCTB02005	JUNCTION	24.40	4.00	0.0
PCTB02008	JUNCTION	21.64	4.00	0.0
PCTB02011	JUNCTION	21.86	4.90	0.0
PCTB02011-S	JUNCTION	26.76	0.75	0.0
PCTB02012	JUNCTION	21.62	4.44	0.0
PCTB02012-S	JUNCTION	26.06	0.75	0.0
PCTB02014	JUNCTION	20.70	3.50	0.0
PCTB02014-S	JUNCTION	23.23	0.75	0.0
PCTB02015	JUNCTION	20.97	3.00	0.0
PCTB02015-S	JUNCTION	23.64	0.75	0.0
PCTB02016	JUNCTION	24.23	1.65	0.0
PCTB02016-S	JUNCTION	25.88	0.75	0.0
PCTB02017	JUNCTION	23.99	1.90	0.0
PCTB02017-S	JUNCTION	25.89	0.75	0.0
PCTB02022	JUNCTION	22.32	2.44	0.0
PCTB02022-S	JUNCTION	24.76	0.75	0.0
PCTB02023	JUNCTION	22.30	2.37	0.0
PCTB02023-S	JUNCTION	24.72	0.75	0.0
PCTB02075	JUNCTION	17.22	7.05	0.0
PCTB02076	JUNCTION	17.71	7.00	0.0
PCTB02080	JUNCTION	16.83	7.65	0.0
PCTB02159	JUNCTION	18.00	7.00	0.0
PCTB02160	JUNCTION	17.99	9.00	0.0
PCTB02189	JUNCTION	19.57	4.19	0.0
PCTB02189-S	JUNCTION	23.76	0.75	0.0
PCTB02191	JUNCTION	18.41	4.59	0.0
PCTB02191_DS	JUNCTION	17.20	10.00	0.0
PCTB02191_DS-S	JUNCTION	22.20	0.75	0.0
PCTB02191-S	JUNCTION	23.00	0.75	0.0
PCTB02207	JUNCTION	20.62	4.00	0.0
PCTB02207-S	JUNCTION	24.62	0.75	0.0

Alternative #1 (10-Year)

PCTB02209	JUNCTION	21.08	4.00	0.0
PCTB02209-S	JUNCTION	25.08	0.75	0.0
PCTB02220	JUNCTION	18.55	9.00	0.0
PCTB02229	JUNCTION	18.88	9.00	0.0
PCTB02229-S	JUNCTION	24.52	0.75	0.0
PCTB02231	JUNCTION	19.10	5.70	0.0
PCTB02231-S	JUNCTION	24.80	0.75	0.0
PCTB02233	JUNCTION	25.41	27.21	0.0
PCTB02235	JUNCTION	19.85	5.55	0.0
PCTB02235-S	JUNCTION	25.40	0.75	0.0
PCTB02237	JUNCTION	20.03	5.55	0.0
PCTB02237-S	JUNCTION	25.58	0.75	0.0
PCTB02257	JUNCTION	21.36	5.60	0.0
PCTB02257_1	JUNCTION	21.36	5.40	0.0
PCTB02257_1-S	JUNCTION	26.76	0.75	0.0
PCTB02257-S	JUNCTION	26.96	0.75	0.0
PCTB02260	JUNCTION	21.38	4.55	0.0
PCTB02260-S	JUNCTION	25.93	0.75	0.0
PCTB02262	JUNCTION	21.28	4.50	0.0
PCTB02262-S	JUNCTION	25.78	0.75	0.0
PCTB02275	JUNCTION	21.45	4.10	0.0
PCTB02275-S	JUNCTION	25.55	0.75	0.0
PCTB02276	JUNCTION	21.52	4.60	0.0
PCTB02276-S	JUNCTION	26.12	0.75	0.0
PCTB02278	JUNCTION	22.24	4.00	0.0
PCTB02278-S	JUNCTION	24.64	0.75	0.0
PCTB02280	JUNCTION	18.89	3.69	0.0
PCTB02280-S	JUNCTION	22.58	0.75	0.0
PCTB02281	JUNCTION	19.16	3.61	0.0
PCTB02281-S	JUNCTION	22.77	0.75	0.0
PCTB02282	JUNCTION	19.76	5.39	0.0
PCTB02282-S	JUNCTION	25.15	0.75	0.0
PCTB02283	JUNCTION	19.92	2.95	0.0
PCTB02283-S	JUNCTION	22.87	0.75	0.0
PCTB02284	JUNCTION	20.26	2.92	0.0
PCTB02284-S	JUNCTION	23.18	0.75	0.0
PCTB02292	JUNCTION	18.00	7.50	0.0
PCTB02292-S	JUNCTION	23.00	0.75	0.0
PCTB02294	JUNCTION	17.67	7.50	0.0
PCTB02294-S	JUNCTION	22.67	0.75	0.0
PCTB02295	JUNCTION	17.24	10.00	0.0
PCTB02295-S	JUNCTION	22.24	0.75	0.0
PCTB02297	JUNCTION	20.41	2.90	0.0
PCTB02297-S	JUNCTION	23.31	0.75	0.0
PCTB02302	JUNCTION	18.34	6.00	0.0
PCTB02302-S	JUNCTION	23.34	0.75	0.0
PCTB02303	JUNCTION	18.13	7.12	0.0
PCTB02303-S	JUNCTION	25.25	0.75	0.0
PCTB02304	JUNCTION	18.37	5.23	0.0
PCTB02304-S	JUNCTION	23.60	0.75	0.0
PCTB02312	JUNCTION	18.25	6.00	0.0
PCTB02312-S	JUNCTION	23.25	0.75	0.0
PCTB02329	JUNCTION	22.00	2.07	0.0
PCTB02329-S	JUNCTION	24.23	0.75	0.0
PCTB02330	JUNCTION	22.10	3.12	0.0
PCTB02330-S	JUNCTION	25.42	0.75	0.0
PCTB02331	JUNCTION	22.15	2.82	0.0
PCTB02331-S	JUNCTION	25.04	0.75	0.0
PCTB02332	JUNCTION	22.20	3.47	0.0
PCTB02332-S	JUNCTION	25.67	0.75	0.0
TRMB02002	JUNCTION	5.55	10.66	0.0
TRMB02002-S	JUNCTION	16.21	0.75	0.0

Alternative #1 (10-Year)

TRMB02003	JUNCTION	2.88	9.70	0.0
TRMB02003-S	JUNCTION	12.58	0.75	0.0
TRMB02006	JUNCTION	8.60	9.30	0.0
TRMB02006-S	JUNCTION	17.90	0.75	0.0
TRMB02009	JUNCTION	17.27	9.55	0.0
TRMB02009-S	JUNCTION	26.82	0.75	0.0
TRMB02012	JUNCTION	19.50	7.30	0.0
TRMB02012-S	JUNCTION	26.80	0.75	0.0
TRMB02015	JUNCTION	21.05	4.09	0.0
TRMB02015-S	JUNCTION	25.14	0.75	0.0
TRMB02016	JUNCTION	21.14	4.08	0.0
TRMB02016-S	JUNCTION	25.22	0.75	0.0
TRMB02018	JUNCTION	22.91	5.75	0.0
TRMB02018-S	JUNCTION	28.66	0.75	0.0
TRMB02022	JUNCTION	23.78	5.24	0.0
TRMB02022-S	JUNCTION	28.56	1.38	0.0
TRMB02023	JUNCTION	24.00	5.00	0.0
TRMB02023-S	JUNCTION	29.19	0.75	0.0
TRMB02044	JUNCTION	30.64	6.20	0.0
TRMB02044_DS	JUNCTION	24.15	8.87	0.0
TRMB02044_DS-S	JUNCTION	33.02	0.75	0.0
TRMB02044-S	JUNCTION	37.10	0.75	0.0
TRMB02045	JUNCTION	30.78	5.96	0.0
TRMB02045-S	JUNCTION	36.74	0.75	0.0
TRMB02046	JUNCTION	33.03	3.60	0.0
TRMB02046-S	JUNCTION	36.63	0.75	0.0
TRMB02047	JUNCTION	34.19	2.57	0.0
TRMB02047-S	JUNCTION	36.76	0.75	0.0
TRMB02048	JUNCTION	33.00	3.28	0.0
TRMB02048-S	JUNCTION	39.25	0.75	0.0
TRMB02049	JUNCTION	29.70	3.50	0.0
TRMB02049-S	JUNCTION	39.34	0.75	0.0
TRMB02050	JUNCTION	30.87	5.15	0.0
TRMB02050-S	JUNCTION	36.02	0.75	0.0
TRMB02051	JUNCTION	31.09	3.81	0.0
TRMB02051-S	JUNCTION	34.90	0.75	0.0
TRMB02052	JUNCTION	31.25	3.55	0.0
TRMB02052-S	JUNCTION	34.80	0.75	0.0
TRMB02056	JUNCTION	31.41	3.79	0.0
TRMB02056-S	JUNCTION	35.20	0.75	0.0
TRMB02057	JUNCTION	31.54	3.80	0.0
TRMB02057-S	JUNCTION	35.34	0.75	0.0
TRMB02060	JUNCTION	34.30	6.94	0.0
TRMB02060-S	JUNCTION	41.24	0.75	0.0
TRMB02063	JUNCTION	40.17	3.50	0.0
TRMB02063-S	JUNCTION	43.67	0.75	0.0
TRMB02064	JUNCTION	41.04	3.52	0.0
TRMB02064-S	JUNCTION	44.56	0.75	0.0
TRMB02067	JUNCTION	41.26	4.94	0.0
TRMB02067-S	JUNCTION	46.20	0.75	0.0
TRMB02068	JUNCTION	42.12	6.54	0.0
TRMB02068-S	JUNCTION	48.66	0.75	0.0
TRMB02069	JUNCTION	42.57	6.83	0.0
TRMB02069-S	JUNCTION	49.40	0.75	0.0
TRMB02070	JUNCTION	42.72	6.88	0.0
TRMB02070-S	JUNCTION	49.60	0.75	0.0
TRMB03016	JUNCTION	7.94	6.94	0.0
TRMB03016-S	JUNCTION	14.88	0.00	0.0
TRMB03022	JUNCTION	9.90	3.50	0.0
TRMB03022-S	JUNCTION	12.57	0.75	0.0
TRMB03025	JUNCTION	12.79	6.80	0.0
TRMB03025-S	JUNCTION	19.59	0.75	0.0

Alternative #1 (10-Year)

TRMB03026	JUNCTION	15.11	1.00	0.0
TRMB03027	JUNCTION	15.45	2.96	0.0
TRMB03028	JUNCTION	12.78	7.31	0.0
TRMB03028-S	JUNCTION	20.09	0.75	0.0
TRMB03029	JUNCTION	13.78	5.35	0.0
TRMB03029-S	JUNCTION	19.13	0.75	0.0
TRMB03030	JUNCTION	14.88	6.00	0.0
TRMB03030-S	JUNCTION	19.95	0.75	0.0
TRMB03031	JUNCTION	17.87	8.21	0.0
TRMB03031-S	JUNCTION	26.08	0.75	0.0
TRMB03032	JUNCTION	21.26	7.36	0.0
TRMB03032-S	JUNCTION	28.62	0.75	0.0
TRMB03033	JUNCTION	27.53	2.68	0.0
TRMB03033-S	JUNCTION	30.21	0.75	0.0
TRMB03034	JUNCTION	27.34	3.02	0.0
TRMB03034-S	JUNCTION	30.36	0.75	0.0
TRMB03035-S	JUNCTION	29.28	0.75	0.0
TRMB03036	JUNCTION	21.73	7.55	0.0
TRMB03036-S	JUNCTION	29.28	0.75	0.0
TRMB03037	JUNCTION	27.75	2.92	0.0
TRMB03037-S	JUNCTION	30.67	0.75	0.0
TRMB03038	JUNCTION	26.54	3.86	0.0
TRMB03038-S	JUNCTION	30.40	0.75	0.0
TRMB03039	JUNCTION	23.34	6.56	0.0
TRMB03039-S	JUNCTION	29.90	0.75	0.0
TRMB03042	JUNCTION	35.90	4.77	0.0
TRMB03042-S	JUNCTION	40.67	0.75	0.0
TRMB03043	JUNCTION	24.32	4.27	0.0
TRMB03043-S	JUNCTION	28.59	0.75	0.0
TRMB03044	JUNCTION	25.42	3.12	0.0
TRMB03044-S	JUNCTION	28.54	0.75	0.0
TRMB03049	JUNCTION	24.75	4.47	0.0
TRMB03049-S	JUNCTION	29.22	0.75	0.0
TRMB03051	JUNCTION	25.33	2.81	0.0
TRMB03051-S	JUNCTION	28.14	0.75	0.0
TRMB03052	JUNCTION	27.03	1.33	0.0
TRMB03052-S	JUNCTION	28.36	0.75	0.0
TRMB03054	JUNCTION	25.44	2.93	0.0
TRMB03054-S	JUNCTION	28.37	0.75	0.0
TRMB03055	JUNCTION	25.50	2.72	0.0
TRMB03055-S	JUNCTION	28.22	0.75	0.0
TRMB03063	JUNCTION	28.00	3.07	0.0
TRMB03063-S	JUNCTION	31.07	0.75	0.0
TRMB03065	JUNCTION	2.53	11.47	0.0
TRMB03065-S	JUNCTION	14.00	0.75	0.0
TRMB03067	JUNCTION	18.14	2.51	0.0
TRMB03067-S	JUNCTION	20.65	0.75	0.0
TRMB03068	JUNCTION	4.83	10.55	0.0
TRMB03068-S	JUNCTION	15.38	0.75	0.0
TRMB03069	JUNCTION	3.40	10.83	0.0
TRMB03069-S	JUNCTION	14.23	0.75	0.0
TRMB03070	JUNCTION	4.58	9.56	0.0
TRMB03070-S	JUNCTION	14.14	0.75	0.0
TRMB03072	JUNCTION	8.98	9.12	0.0
TRMB03072-S	JUNCTION	18.10	0.75	0.0
TRMB03073	JUNCTION	16.56	2.83	0.0
TRMB03073-S	JUNCTION	19.39	0.75	0.0
TRMB03083	JUNCTION	9.78	8.84	0.0
TRMB03083-S	JUNCTION	18.62	0.75	0.0
TRMB03084	JUNCTION	9.90	8.95	0.0
TRMB03084-S	JUNCTION	17.95	0.75	0.0
TRMB03087	JUNCTION	9.90	6.37	0.0

Alternative #1 (10-Year)

TRMB03087-S	JUNCTION	16.27	0.75	0.0
TRMB03088	JUNCTION	21.54	8.31	0.0
TRMB03088-S	JUNCTION	29.85	0.75	0.0
TRMB03089	JUNCTION	22.54	7.28	0.0
TRMB03089-S	JUNCTION	29.82	0.75	0.0
TRMB03090	JUNCTION	22.36	6.58	0.0
TRMB03090-S	JUNCTION	28.94	0.75	0.0
TRMB03091	JUNCTION	26.44	7.38	0.0
TRMB03091-S	JUNCTION	33.82	0.75	0.0
TRMB03092	JUNCTION	29.88	1.79	0.0
TRMB03092-S	JUNCTION	31.67	0.75	0.0
TRMB03094	JUNCTION	28.09	6.83	0.0
TRMB03094-S	JUNCTION	34.92	0.75	0.0
TRMB03095	JUNCTION	32.05	2.87	0.0
TRMB03095-S	JUNCTION	34.92	0.75	0.0
TRMB03096	JUNCTION	28.15	8.21	0.0
TRMB03096-S	JUNCTION	36.36	0.75	0.0
TRMB03097	JUNCTION	34.36	5.92	0.0
TRMB03097-S	JUNCTION	40.28	0.75	0.0
TRMB03101	JUNCTION	32.50	4.70	0.0
TRMB03101-S	JUNCTION	37.20	0.75	0.0
TRMB03102	JUNCTION	29.27	8.41	0.0
TRMB03102-S	JUNCTION	37.68	0.75	0.0
TRMB03103	JUNCTION	33.01	8.03	0.0
TRMB03103-S	JUNCTION	41.04	0.75	0.0
TRMB03111	JUNCTION	35.20	7.03	0.0
TRMB03111-S	JUNCTION	42.23	0.75	0.0
TRMB04089	JUNCTION	47.97	12.80	0.0
TRMB04089-S	JUNCTION	60.77	0.75	0.0
TRMB04265-S	JUNCTION	59.86	0.00	0.0
TRMB05002	JUNCTION	38.19	5.75	0.0
TRMB05002-S	JUNCTION	43.94	0.75	0.0
TRMB05003	JUNCTION	39.42	7.80	0.0
TRMB05003-S	JUNCTION	47.22	0.75	0.0
TRMB05004	JUNCTION	39.50	6.99	0.0
TRMB05004-S	JUNCTION	46.49	0.75	0.0
TRMB05005	JUNCTION	40.00	8.14	0.0
TRMB05005-S	JUNCTION	48.14	0.75	0.0
TRMB05006	JUNCTION	40.76	8.60	0.0
TRMB05006-S	JUNCTION	49.36	0.75	0.0
TRMB05008	JUNCTION	43.68	3.90	0.0
TRMB05008-S	JUNCTION	47.58	0.75	0.0
TRMB05009	JUNCTION	45.01	6.50	0.0
TRMB05009_DS	JUNCTION	43.83	7.09	0.0
TRMB05009_DS-S	JUNCTION	50.92	0.75	0.0
TRMB05009-S	JUNCTION	51.51	0.75	0.0
TRMB05010	JUNCTION	46.18	3.05	0.0
TRMB05010-S	JUNCTION	49.23	0.75	0.0
TRMB05011	JUNCTION	46.91	2.90	0.0
TRMB05011-S	JUNCTION	49.81	0.75	0.0
TRMB05012	JUNCTION	46.81	2.90	0.0
TRMB05012-S	JUNCTION	49.71	0.75	0.0
TRMB05013	JUNCTION	48.96	2.10	0.0
TRMB05013-S	JUNCTION	51.06	0.75	0.0
TRMB05014	JUNCTION	48.61	2.60	0.0
TRMB05014-S	JUNCTION	51.21	0.75	0.0
TRMB05015	JUNCTION	46.05	8.60	0.0
TRMB05015-S	JUNCTION	54.65	0.75	0.0
TRMB05016	JUNCTION	50.41	4.00	0.0
TRMB05016-S	JUNCTION	54.41	0.75	0.0
TRMB05017	JUNCTION	46.23	9.45	0.0
TRMB05017_US	JUNCTION	47.08	11.09	0.0

Alternative #1 (10-Year)

TRMB05017_US-S	JUNCTION	58.17	0.75	0.0
TRMB05017-S	JUNCTION	55.68	0.75	0.0
TRMB05018	JUNCTION	50.34	4.15	0.0
TRMB05018-S	JUNCTION	54.49	0.75	0.0
TRMB05019	JUNCTION	50.62	3.50	0.0
TRMB05019-S	JUNCTION	54.12	0.75	0.0
TRMB05020	JUNCTION	50.78	3.50	0.0
TRMB05020-S	JUNCTION	54.28	0.75	0.0
TRMB05021	JUNCTION	51.47	3.20	0.0
TRMB05021-S	JUNCTION	54.67	0.75	0.0
TRMB05022	JUNCTION	50.10	4.30	0.0
TRMB05022-S	JUNCTION	54.40	0.75	0.0
TRMB05023	JUNCTION	51.41	1.25	0.0
TRMB05023-S	JUNCTION	51.41	0.75	0.0
TRMB05025	JUNCTION	53.20	2.00	0.0
TRMB05025-S	JUNCTION	55.20	0.75	0.0
TRMB05026	JUNCTION	50.05	2.65	0.0
TRMB05026-S	JUNCTION	52.70	0.75	0.0
TRMB05027	JUNCTION	52.70	2.04	0.0
TRMB05027-S	JUNCTION	54.74	0.75	0.0
TRMB05028	JUNCTION	51.94	3.50	0.0
TRMB05028-S	JUNCTION	55.44	0.75	0.0
TRMB05029	JUNCTION	51.62	3.20	0.0
TRMB05029-S	JUNCTION	54.82	0.75	0.0
TRMB05030	JUNCTION	52.44	2.75	0.0
TRMB05030-S	JUNCTION	55.19	0.75	0.0
TRMB05031	JUNCTION	53.30	2.02	0.0
TRMB05031-S	JUNCTION	55.32	0.75	0.0
TRMB05032	JUNCTION	52.96	2.40	0.0
TRMB05032-S	JUNCTION	55.36	0.75	0.0
TRMB05033	JUNCTION	52.44	2.75	0.0
TRMB05033-S	JUNCTION	55.19	0.75	0.0
TRMB05034	JUNCTION	53.11	2.40	0.0
TRMB05034-S	JUNCTION	55.51	0.75	0.0
TRMB05035	JUNCTION	52.75	3.10	0.0
TRMB05035-S	JUNCTION	55.85	0.75	0.0
TRMB05036	JUNCTION	53.15	2.35	0.0
TRMB05036-S	JUNCTION	55.50	0.75	0.0
TRMB05037	JUNCTION	54.00	1.70	0.0
TRMB05037-S	JUNCTION	55.70	0.75	0.0
TRMB05038	JUNCTION	53.35	2.35	0.0
TRMB05038-S	JUNCTION	55.70	0.75	0.0
TRMB05039	JUNCTION	53.50	2.02	0.0
TRMB05039-S	JUNCTION	55.52	0.75	0.0
TRMB05040	JUNCTION	48.84	7.05	0.0
TRMB05040-S	JUNCTION	55.89	0.75	0.0
TRMB05041	JUNCTION	46.90	5.35	0.0
TRMB05041-S	JUNCTION	52.25	0.75	0.0
TRMB05042	JUNCTION	49.69	2.65	0.0
TRMB05042-S	JUNCTION	52.34	0.75	0.0
TRMB05043	JUNCTION	46.37	6.49	0.0
TRMB05043-S	JUNCTION	52.86	0.75	0.0
TRMB05044	JUNCTION	47.57	3.55	0.0
TRMB05044-S	JUNCTION	51.12	0.75	0.0
TRMB05045	JUNCTION	46.68	5.80	0.0
TRMB05045-S	JUNCTION	52.48	0.75	0.0
TRMB05046	JUNCTION	43.27	4.40	0.0
TRMB05046-S	JUNCTION	47.67	0.75	0.0
TRMB05048	JUNCTION	42.82	5.46	0.0
TRMB05048-S	JUNCTION	48.28	0.75	0.0
PCTB01066	OUTFALL	17.98	3.00	0.0
PCTB02009	OUTFALL	21.77	3.00	0.0

Alternative #1 (10-Year)

PCTB02081	OUTFALL	16.83	6.70	0.0
TRMB02001	OUTFALL	-0.35	4.00	0.0
TRMB03012	OUTFALL	7.18	3.50	0.0
TRMB03066	OUTFALL	0.00	3.50	0.0
TRMB05001	OUTFALL	23.60	4.00	0.0

Link Summary

Name	From Node	To Node	Type	Length	%Slope
Roughness					

C1	PCTB02159	PCTB02076	CONDUIT	86.8	0.3340
0.0150					
C14	PCTB02329	PCTB02002	CONDUIT	27.5	0.5451
0.0200					
C2	J1	PCTB01068_US	CONDUIT	252.3	0.6501
0.0100					
C2_1	PCTB02191	PCTB02191_DS	CONDUIT	20.7	5.8640
0.0150					
C2_1-S	PCTB02191-S	PCTB02191_DS-S	CONDUIT	20.7	3.8732
0.0140					
C2_2	PCTB02191_DS	PCTB02080	CONDUIT	619.3	0.0355
0.0200					
C3	PCTB02280-S	PCTB02282-S	CONDUIT	309.1	-0.8314
0.0140					
C4	J2	TRMB05008	CONDUIT	142.5	0.0842
0.0100					
C5	TRMB02048	TRMB02049	CONDUIT	38.1	8.7010
0.0100					
C9	TRMB05043	TRMB05009_DS	CONDUIT	14.1	18.3407
0.0150					
C9-S	TRMB05043-S	TRMB05009_DS-S	CONDUIT	14.1	13.9111
0.0140					
CountrySideE_Ditch	JMTB01006	CountrySideE_Ditch_Culvert_In	CONDUIT		
3616.4	0.0812	0.0200			
CountrySideE_Ditch_Culvert	CountrySideE_Ditch_Culvert_In	PCTB02257	CONDUIT		
106.3	0.1411	0.0150			
CountrySideE_Ditch_Culvert-S	CountrySideE_Ditch_Culvert_In-S	PCTB02257-S			
CONDUIT	106.3	0.5079	0.0140		
JMTB01003	JMTB01003	JMTB01004	CONDUIT	9.3	0.2141
0.0150					
JMTB01003-S	JMTB01003-S	JMTB01004-S	CONDUIT	9.3	-6.1142
0.0140					
JMTB01004	JMTB01004	JMTB01005	CONDUIT	38.6	0.2593
0.0130					
JMTB01004-S	JMTB01004-S	JMTB01005-S	CONDUIT	38.6	0.7778
0.0140					
JMTB01005	JMTB01005	JMTB01006	CONDUIT	338.1	0.0926
0.0130					
JMTB01005-S	JMTB01005-S	JMTB01006-S	CONDUIT	338.1	0.2227
0.0140					
JMTB01102	JMTB01102	JMTB01103	CONDUIT	20.3	0.8358
0.0130					
JMTB01102-S	JMTB01102-S	JMTB01103-S	CONDUIT	20.3	-2.5082
0.0140					
JMTB01103	JMTB01103	JMTB01105	CONDUIT	164.6	0.2369
0.0130					
JMTB01103_1	JMTB01105	JMTB01003	CONDUIT	299.1	0.3376
0.0200					

Alternative #1 (10-Year)

JMTB01103-S 0.0140	JMTB01103-S	JMTB01105-S	CONDUIT	164.6	1.0693
JMTB01104 0.0130	JMTB01104	JMTB01103	CONDUIT	21.3	0.9864
JMTB01104-S 0.0140	JMTB01104-S	JMTB01103-S	CONDUIT	21.3	0.7985
PCTB01068 0.0150	PCTB01068	PCTB01066	CONDUIT	512.6	0.2675
PCTB01068_US 0.0150	PCTB01068_US	PCTB01068	CONDUIT	220.6	0.2947
PCTB01068_US-S 0.0140	PCTB01068_US-S	PCTB01068-S	CONDUIT	220.6	-0.0272
PCTB02001_1 0.0200	PCTB02001	J1	CONDUIT	158.6	0.0883
PCTB02001_2 0.0200	J1	PCTB02015	CONDUIT	766.0	0.0875
PCTB02002 0.0130	PCTB02002	PCTB02001	CONDUIT	48.2	0.1452
PCTB02002-S 0.0140	PCTB02002-S	PCTB02001-S	CONDUIT	48.2	1.8053
PCTB02003 0.0150	PCTB02003	PCTB02004	CONDUIT	63.9	-0.2816
PCTB02003-S 0.0140	PCTB02003-S	PCTB02004-S	CONDUIT	63.9	-0.2816
PCTB02008 0.0150	PCTB02008	PCTB02009	CONDUIT	87.0	-0.1471
PCTB02011 0.0130	PCTB02012	PCTB02011	CONDUIT	28.6	-0.8404
PCTB02011_1 0.0200	PCTB02011	PCTB02008	CONDUIT	306.7	0.0717
PCTB02011-S 0.0140	PCTB02012-S	PCTB02011-S	CONDUIT	28.6	-2.4517
PCTB02014 0.0130	PCTB02015	PCTB02014	CONDUIT	28.1	0.9612
PCTB02014_1 0.0200	PCTB02014	PCTB02012	CONDUIT	793.0	-0.1160
PCTB02014-S 0.0140	PCTB02015-S	PCTB02014-S	CONDUIT	28.1	1.4597
PCTB02016 0.0150	PCTB02016	PCTB02017	CONDUIT	31.9	0.7513
PCTB02016-S 0.0140	PCTB02016-S	PCTB02017-S	CONDUIT	31.9	-0.0313
PCTB02020 0.0100	PCTB02005	PCTB02016	CONDUIT	261.2	0.0383
PCTB02021 0.0100	PCTB02017	PCTB02003	CONDUIT	302.9	0.0033
PCTB02022 0.0150	PCTB02022	PCTB02023	CONDUIT	32.9	0.0608
PCTB02022-S 0.0140	PCTB02022-S	PCTB02023-S	CONDUIT	32.9	0.1216
PCTB02023 0.0150	PCTB02023	PCTB02332	CONDUIT	127.2	0.0786
PCTB02023-S 0.0140	PCTB02023-S	PCTB02332-S	CONDUIT	127.2	-0.7468
PCTB02076 0.0150	PCTB02076	PCTB02075	CONDUIT	113.4	0.4320
PCTB02080 0.0150	PCTB02080	PCTB02081	CONDUIT	172.5	0.0006
PCTB02160 0.0150	PCTB02160	PCTB02159	CONDUIT	71.5	-0.0140
PCTB02172 0.0100	PCTB02075	PCTB02080	CONDUIT	82.9	0.4702

Alternative #1 (10-Year)

PCTB02189 0.0130	PCTB02189	PCTB02191	CONDUIT	231.5	0.5010
PCTB02189-S 0.0140	PCTB02189-S	PCTB02191-S	CONDUIT	231.5	0.3283
PCTB02208 0.0150	PCTB02209	PCTB02207	CONDUIT	96.0	0.4789
PCTB02208-S 0.0140	PCTB02209-S	PCTB02207-S	CONDUIT	96.0	0.4789
PCTB02231 0.0150	PCTB02231	PCTB02229	CONDUIT	282.3	0.0779
PCTB02231-S 0.0140	PCTB02231-S	PCTB02229-S	CONDUIT	282.3	0.0992
PCTB02237 0.0150	PCTB02237	PCTB02235	CONDUIT	88.8	0.2027
PCTB02237-S 0.0140	PCTB02237-S	PCTB02235-S	CONDUIT	88.8	0.2049
PCTB02239 0.0200	PCTB02233	PCTB02237	CONDUIT	348.6	1.5435
PCTB02240 0.0200	PCTB02207	PCTB02237	CONDUIT	464.7	0.1270
PCTB02259_1 0.0100	PCTB02257	PCTB02257_1	CONDUIT	35.4	0.0028
PCTB02259_2 0.0100	PCTB02257_1	PCTB02260	CONDUIT	146.5	-0.0137
PCTB02260 0.0150	PCTB02260	PCTB02262	CONDUIT	69.1	0.1447
PCTB02260-S 0.0140	PCTB02260-S	PCTB02262-S	CONDUIT	69.1	0.2171
PCTB02264 0.0100	PCTB02262	PCTB02209	CONDUIT	476.6	0.0420
PCTB02274 0.0130	PCTB02008	PCTB02005	CONDUIT	1148.4	-0.2403
PCTB02275 0.0150	PCTB02275	PCTB02257_1	CONDUIT	24.9	0.3614
PCTB02275-S 0.0140	PCTB02275-S	PCTB02257_1-S	CONDUIT	24.9	-4.8652
PCTB02276 0.0150	PCTB02276	PCTB02275	CONDUIT	593.0	0.0118
PCTB02276-S 0.0140	PCTB02276-S	PCTB02275-S	CONDUIT	593.0	0.0961
PCTB02278 0.0150	PCTB02278	PCTB02276	CONDUIT	157.0	0.4585
PCTB02278-S 0.0140	PCTB02278-S	PCTB02276-S	CONDUIT	157.0	-0.9425
PCTB02279 0.0100	PCTB02004	PCTB02278	CONDUIT	1283.9	0.1495
PCTB02280 0.0130	PCTB02280	PCTB02292	CONDUIT	147.4	0.6038
PCTB02280-S 0.0140	PCTB02280-S	PCTB02292-S	CONDUIT	147.4	-0.2849
PCTB02281 0.0130	PCTB02281	PCTB02280	CONDUIT	24.6	1.0981
PCTB02281-S 0.0140	PCTB02281-S	PCTB02280-S	CONDUIT	24.6	0.7727
PCTB02282 0.0130	PCTB02282	PCTB02312	CONDUIT	153.8	0.9820
PCTB02282-S 0.0140	PCTB02282-S	PCTB02312-S	CONDUIT	153.8	1.2357
PCTB02283 0.0130	PCTB02283	PCTB02282	CONDUIT	36.7	0.4357
PCTB02283-S 0.0140	PCTB02283-S	PCTB02282-S	CONDUIT	36.7	-6.2212

Alternative #1 (10-Year)

PCTB02284 0.0150	PCTB02284	PCTB02283	CONDUIT	58.2	0.5846
PCTB02284-S 0.0140	PCTB02284-S	PCTB02283-S	CONDUIT	58.2	0.5330
PCTB02292 0.0200	PCTB02292	PCTB02294	CONDUIT	1086.7	0.0304
PCTB02294 0.0150	PCTB02294	PCTB02295	CONDUIT	39.6	1.0848
PCTB02294-S 0.0140	PCTB02294-S	PCTB02295-S	CONDUIT	39.6	1.0848
PCTB02295 0.0200	PCTB02295	PCTB02191_DS	CONDUIT	168.6	0.0237
PCTB02297 0.0130	PCTB02297	PCTB02281	CONDUIT	495.7	0.2522
PCTB02297-S 0.0140	PCTB02297-S	PCTB02281-S	CONDUIT	495.7	0.1089
PCTB02299 0.0100	PCTB02220	PCTB02160	CONDUIT	412.9	0.1361
PCTB02300 0.0100	PCTB02229	PCTB02220	CONDUIT	240.9	0.1362
PCTB02301 0.0100	PCTB02235	PCTB02231	CONDUIT	830.0	0.0904
PCTB02302 0.0200	PCTB02302	PCTB02312	CONDUIT	219.7	0.0410
PCTB02303 0.0150	PCTB02303	PCTB02302	CONDUIT	44.3	-0.4742
PCTB02303-S 0.0140	PCTB02303-S	PCTB02302-S	CONDUIT	44.3	4.3165
PCTB02304 0.0150	PCTB02304	PCTB02303	CONDUIT	18.8	1.2753
PCTB02304-S 0.0140	PCTB02304-S	PCTB02303-S	CONDUIT	18.8	-8.8012
PCTB02312 0.0200	PCTB02312	PCTB02292	CONDUIT	351.4	0.0711
PCTB02329 0.0150	PCTB02330	PCTB02329	CONDUIT	167.7	0.0596
PCTB02329-S 0.0140	PCTB02330-S	PCTB02329-S	CONDUIT	167.7	0.7096
PCTB02330 0.0150	PCTB02331	PCTB02330	CONDUIT	65.3	0.0766
PCTB02330-S 0.0140	PCTB02331-S	PCTB02330-S	CONDUIT	65.3	-0.5821
PCTB02331 0.0150	PCTB02332	PCTB02331	CONDUIT	189.0	0.0265
PCTB02331-S 0.0140	PCTB02332-S	PCTB02331-S	CONDUIT	189.0	0.3334
TRMB02002 0.0150	TRMB02002	TRMB02001	CONDUIT	187.6	3.1488
TRMB02003 0.0150	TRMB02003	TRMB02002	CONDUIT	35.5	-7.5532
TRMB02003-S 0.0140	TRMB02003-S	TRMB02002-S	CONDUIT	35.5	-10.2939
TRMB02006 0.0150	TRMB02006	TRMB02003	CONDUIT	394.8	1.4488
TRMB02006-S 0.0140	TRMB02006-S	TRMB02003-S	CONDUIT	394.8	1.3475
TRMB02009 0.0150	TRMB02009	TRMB02006	CONDUIT	238.7	3.6346
TRMB02009-S 0.0140	TRMB02009-S	TRMB02006-S	CONDUIT	238.7	3.7395
TRMB02012 0.0150	TRMB02012	TRMB02009	CONDUIT	204.7	1.0895

Alternative #1 (10-Year)

TRMB02012-S 0.0140	TRMB02012-S	TRMB02009-S	CONDUIT	204.7	-0.0098
TRMB02015 0.0150	TRMB02015	TRMB02012	CONDUIT	183.9	0.8427
TRMB02015-S 0.0140	TRMB02015-S	TRMB02012-S	CONDUIT	183.9	-0.9026
TRMB02016 0.0150	TRMB02016	TRMB02012	CONDUIT	33.8	4.8578
TRMB02016-S 0.0140	TRMB02016-S	TRMB02015-S	CONDUIT	25.8	0.3107
TRMB02018 0.0150	TRMB02018	TRMB02016	CONDUIT	363.9	0.4865
TRMB02018-S 0.0140	TRMB02018-S	TRMB02016-S	CONDUIT	348.9	0.9860
TRMB02022 0.0150	TRMB02023	TRMB02018	CONDUIT	192.3	0.5667
TRMB02022-S 0.0140	TRMB02022-S	TRMB02018-S	CONDUIT	221.7	-0.0451
TRMB02023 0.0130	TRMB02022	TRMB02023	CONDUIT	273.1	0.7396
TRMB02023-S 0.0140	TRMB02022-S	TRMB02023-S	CONDUIT	245.0	0.0004
TRMB02044_1-S 0.0140	TRMB02044-S	TRMB02044_DS-S	CONDUIT	531.7	0.7674
TRMB02044_2 0.0150	TRMB02044	TRMB02049	CONDUIT	120.9	0.7777
TRMB02044_2-S 0.0140	TRMB02044_DS-S	TRMB02022-S	CONDUIT	437.6	1.0192
TRMB02044_3 0.0150	TRMB02044_DS	J3	CONDUIT	217.0	0.0691
TRMB02044_4 0.0150	J3	TRMB02023	CONDUIT	320.5	0.0003
TRMB02044_5 0.0150	TRMB02049	TRMB02044_DS	CONDUIT	680.2	0.8160
TRMB02045 0.0150	TRMB02045	TRMB02044	CONDUIT	31.0	0.4516
TRMB02045-S 0.0140	TRMB02045-S	TRMB02044-S	CONDUIT	24.4	-1.4732
TRMB02046-S 0.0140	TRMB02046-S	TRMB02045-S	CONDUIT	16.0	-0.6888
TRMB02047-S 0.0140	TRMB02047-S	TRMB02046-S	CONDUIT	36.1	0.3602
TRMB02048 0.0130	TRMB02047	TRMB02048	CONDUIT	111.5	1.0674
TRMB02048-S 0.0140	TRMB02048-S	TRMB02047-S	CONDUIT	111.5	2.2339
TRMB02049-S 0.0140	TRMB02049-S	TRMB02048-S	CONDUIT	38.1	0.2364
TRMB02050 0.0150	TRMB02050	TRMB02045	CONDUIT	62.2	0.1446
TRMB02050-S 0.0140	TRMB02050-S	TRMB02045-S	CONDUIT	62.2	-1.1573
TRMB02051 0.0150	TRMB02051	TRMB02050	CONDUIT	153.6	0.1432
TRMB02051-S 0.0140	TRMB02051-S	TRMB02050-S	CONDUIT	153.6	-0.7292
TRMB02052 0.0130	TRMB02052	TRMB02051	CONDUIT	20.4	0.7840
TRMB02052-S 0.0140	TRMB02052-S	TRMB02051-S	CONDUIT	20.4	-0.4900
TRMB02056 0.0130	TRMB02056	TRMB02052	CONDUIT	20.4	0.7824

Alternative #1 (10-Year)

TRMB02056-S 0.0140	TRMB02056-S	TRMB02052-S	CONDUIT	20.4	1.9564
TRMB02057 0.0130	TRMB02057	TRMB02056	CONDUIT	17.6	0.7391
TRMB02057-S 0.0140	TRMB02057-S	TRMB02056-S	CONDUIT	17.6	0.7959
TRMB02060 0.0150	TRMB02060	TRMB02057	CONDUIT	295.1	0.9352
TRMB02060-S 0.0140	TRMB02060-S	TRMB02057-S	CONDUIT	295.1	1.9994
TRMB02063 0.0130	TRMB02063	TRMB02060	CONDUIT	222.3	2.6419
TRMB02063-S 0.0140	TRMB02063-S	TRMB02060-S	CONDUIT	222.3	1.0933
TRMB02064 0.0130	TRMB02064	TRMB02063	CONDUIT	125.5	0.6935
TRMB02064-S 0.0140	TRMB02064-S	TRMB02063-S	CONDUIT	125.5	0.7094
TRMB02067 0.0130	TRMB02067	TRMB02064	CONDUIT	117.7	0.1869
TRMB02067-S 0.0140	TRMB02067-S	TRMB02064-S	CONDUIT	117.7	1.3935
TRMB02068 0.0130	TRMB02068	TRMB02067	CONDUIT	181.4	0.4741
TRMB02068-S 0.0140	TRMB02068-S	TRMB02067-S	CONDUIT	181.4	1.3563
TRMB02069 0.0130	TRMB02069	TRMB02068	CONDUIT	44.4	1.0140
TRMB02069-S 0.0140	TRMB02069-S	TRMB02068-S	CONDUIT	44.4	1.6676
TRMB02070 0.0130	TRMB02070	TRMB02069	CONDUIT	35.3	0.4249
TRMB02070-S 0.0140	TRMB02070-S	TRMB02069-S	CONDUIT	35.3	0.5666
TRMB03016 0.0150	TRMB03016	TRMB03012	CONDUIT	44.3	1.7151
TRMB03022 0.0160	TRMB03022	TRMB03016	CONDUIT	145.8	1.3442
TRMB03025 0.0150	TRMB03025	TRMB03022	CONDUIT	55.0	5.2628
TRMB03025-S 0.0140	TRMB03025-S	TRMB03022-S	CONDUIT	55.0	12.8713
TRMB03026 0.0150	TRMB03026	TRMB03022	CONDUIT	14.1	24.1547
TRMB03027 0.0130	TRMB03027	TRMB03026	CONDUIT	31.1	1.0930
TRMB03028 0.0150	TRMB03028	TRMB03025	CONDUIT	42.8	-0.0234
TRMB03028-S 0.0140	TRMB03028-S	TRMB03025-S	CONDUIT	19.2	2.6010
TRMB03029 0.0130	TRMB03029	TRMB03028	CONDUIT	120.1	0.8325
TRMB03029-S 0.0140	TRMB03029-S	TRMB03028-S	CONDUIT	87.0	-1.1034
TRMB03030 0.0150	J5	TRMB03029	CONDUIT	124.4	0.8840
TRMB03030-S 0.0140	TRMB03030-S	TRMB03029-S	CONDUIT	90.4	0.9074
TRMB03031 0.0150	TRMB03031	TRMB03030	CONDUIT	235.9	1.2676
TRMB03032 0.0150	TRMB03032	J5	CONDUIT	651.6	0.9791

Alternative #1 (10-Year)

TRMB03032-S 0.0140	TRMB03032-S	TRMB03031-S	CONDUIT	327.8	0.7748
TRMB03033 0.0130	TRMB03033	TRMB03034	CONDUIT	7.3	2.6072
TRMB03033-S 0.0140	TRMB03033-S	TRMB03034-S	CONDUIT	7.3	-2.0580
TRMB03034 0.0150	TRMB03034	TRMB03036	CONDUIT	267.6	2.0971
TRMB03034-S 0.0140	TRMB03034-S	TRMB03036-S	CONDUIT	135.6	0.7966
TRMB03035-S 0.0140	TRMB03035-S	TRMB03036-S	CONDUIT	5.8	0.0171
TRMB03036 0.0130	TRMB03036	TRMB03032	CONDUIT	162.5	0.2892
TRMB03036-S 0.0140	TRMB03036-S	TRMB03032-S	CONDUIT	133.5	0.4945
TRMB03037 0.0130	TRMB03037	TRMB03034	CONDUIT	32.3	1.2714
TRMB03037-S 0.0140	TRMB03037-S	TRMB03034-S	CONDUIT	32.3	0.9613
TRMB03038 0.0130	TRMB03038	J4	CONDUIT	33.3	14.6155
TRMB03038-S 0.0140	TRMB03038-S	TRMB03036-S	CONDUIT	33.1	3.3856
TRMB03039 0.0130	TRMB03039	TRMB03036	CONDUIT	16.0	10.0884
TRMB03039-S 0.0140	TRMB03039-S	TRMB03036-S	CONDUIT	148.0	0.4189
TRMB03042 0.0130	TRMB03042	TRMB03039	CONDUIT	395.7	3.1758
TRMB03042-S 0.0140	TRMB03042-S	TRMB03039-S	CONDUIT	395.7	2.7228
TRMB03043 0.0130	TRMB03043	TRMB03039	CONDUIT	263.2	0.3724
TRMB03043-S 0.0140	TRMB03043-S	TRMB03039-S	CONDUIT	263.2	-0.4978
TRMB03044 0.0150	TRMB03044	TRMB03039	CONDUIT	112.7	1.8462
TRMB03044-S 0.0140	TRMB03044-S	TRMB03039-S	CONDUIT	112.7	-1.2070
TRMB03049 0.0150	TRMB03049	TRMB03043	CONDUIT	15.6	2.7557
TRMB03049-S 0.0140	TRMB03049-S	TRMB03043-S	CONDUIT	15.6	4.0392
TRMB03051 0.0130	TRMB03051	TRMB03043	CONDUIT	18.3	5.5245
TRMB03051-S 0.0140	TRMB03051-S	TRMB03043-S	CONDUIT	18.3	-2.4584
TRMB03052 0.0130	TRMB03052	TRMB03051	CONDUIT	28.9	5.8864
TRMB03052-S 0.0140	TRMB03052-S	TRMB03051-S	CONDUIT	28.9	0.7605
TRMB03054 0.0130	TRMB03054	TRMB03051	CONDUIT	185.4	0.0593
TRMB03054-S 0.0140	TRMB03054-S	TRMB03051-S	CONDUIT	185.4	0.1241
TRMB03055 0.0130	TRMB03055	TRMB03051	CONDUIT	225.6	0.0754
TRMB03055-S 0.0140	TRMB03055-S	TRMB03051-S	CONDUIT	225.6	0.0355
TRMB03063 0.0130	TRMB03063	TRMB03054	CONDUIT	249.0	1.0282

Alternative #1 (10-Year)

TRMB03063-S 0.0140	TRMB03063-S	TRMB03054-S	CONDUIT	249.0	1.0844
TRMB03065 0.0150	TRMB03065	TRMB03066	CONDUIT	145.2	1.7432
TRMB03067 0.0130	TRMB03067	TRMB03065	CONDUIT	65.2	24.6749
TRMB03067-S 0.0140	TRMB03067-S	TRMB03065-S	CONDUIT	65.2	10.2592
TRMB03068 0.0150	TRMB03068	TRMB03065	CONDUIT	52.7	2.7145
TRMB03068-S 0.0140	TRMB03068-S	TRMB03069-S	CONDUIT	18.3	6.3104
TRMB03069 0.0150	TRMB03069	TRMB03065	CONDUIT	82.1	1.0603
TRMB03069-S 0.0140	TRMB03069-S	TRMB03065-S	CONDUIT	41.7	0.5518
TRMB03070 0.0150	TRMB03070	TRMB03069	CONDUIT	41.7	2.8329
TRMB03070-S 0.0140	J9	TRMB03069-S	CONDUIT	63.4	-0.1420
TRMB03072 0.0150	TRMB03072	TRMB03069	CONDUIT	118.6	4.7109
TRMB03072-S_1 0.0140	TRMB03072-S	J9	CONDUIT	118.3	3.2471
TRMB03073 0.0150	TRMB03073	J8	CONDUIT	132.5	4.1091
TRMB03073-S 0.0140	TRMB03073-S	TRMB03070-S	CONDUIT	70.4	7.4750
TRMB03083 0.0130	TRMB03087	TRMB03084	CONDUIT	27.7	0.0036
TRMB03083-S 0.0140	TRMB03083-S	TRMB03072-S	CONDUIT	29.0	1.7909
TRMB03084 0.0150	TRMB03084	TRMB03072	CONDUIT	57.8	1.5919
TRMB03084-S 0.0140	TRMB03084-S	TRMB03072-S	CONDUIT	6.8	-2.2064
TRMB03087-S 0.0140	TRMB03087-S	TRMB03083-S	CONDUIT	106.8	-2.1999
TRMB03088_1 0.0150	TRMB03088	J6	CONDUIT	255.1	1.5836
TRMB03088_2 0.0150	J7	J8	CONDUIT	55.6	1.3126
TRMB03088_3 0.0150	J6	J7	CONDUIT	434.9	1.2993
TRMB03088_5 0.0150	J8	TRMB03084	CONDUIT	93.2	1.3095
TRMB03088-S 0.0140	TRMB03088-S	TRMB03087-S	CONDUIT	586.4	2.3164
TRMB03089 0.0130	TRMB03089	TRMB03088	CONDUIT	39.9	2.5071
TRMB03089-S 0.0140	TRMB03089-S	TRMB03088-S	CONDUIT	39.9	-0.0752
TRMB03090 0.0130	TRMB03090	TRMB03089	CONDUIT	14.6	-1.2304
TRMB03090-S 0.0140	TRMB03090-S	TRMB03089-S	CONDUIT	14.6	-6.0259
TRMB03091 0.0150	TRMB03091	TRMB03090	CONDUIT	209.3	1.9501
TRMB03091-S 0.0140	TRMB03091-S	TRMB03090-S	CONDUIT	209.3	2.3327
TRMB03092 0.0130	TRMB03092	TRMB03090	CONDUIT	117.8	6.3962

Alternative #1 (10-Year)

TRMB03092-S 0.0140	TRMB03092-S	TRMB03090-S	CONDUIT	117.8	2.3179
TRMB03094 0.0150	TRMB03094	TRMB03091	CONDUIT	103.8	1.5906
TRMB03094-S 0.0140	TRMB03094-S	TRMB03091-S	CONDUIT	103.8	1.0603
TRMB03095 0.0150	TRMB03095	TRMB03094	CONDUIT	9.0	49.2696
TRMB03095-S 0.0140	TRMB03095-S	TRMB03094-S	CONDUIT	9.0	0.0112
TRMB03096 0.0150	TRMB03096	TRMB03094	CONDUIT	25.1	0.2388
TRMB03096-S 0.0140	TRMB03096-S	TRMB03094-S	CONDUIT	25.1	5.7396
TRMB03097 0.0130	TRMB03097	TRMB03094	CONDUIT	110.6	5.6782
TRMB03097-S 0.0140	TRMB03097-S	TRMB03094-S	CONDUIT	110.6	4.8520
TRMB03101 0.0130	TRMB03101	TRMB03096	CONDUIT	10.9	43.7634
TRMB03101-S 0.0140	TRMB03101-S	TRMB03096-S	CONDUIT	10.9	7.7652
TRMB03102 0.0150	TRMB03102	TRMB03096	CONDUIT	47.8	2.3432
TRMB03102-S 0.0140	TRMB03102-S	TRMB03096-S	CONDUIT	47.8	2.7620
TRMB03103 0.0150	TRMB03103	TRMB03102	CONDUIT	95.9	3.9020
TRMB03103-S 0.0140	TRMB03103-S	TRMB03102-S	CONDUIT	95.9	3.5051
TRMB03111 0.0130	TRMB03111	TRMB03103	CONDUIT	73.5	2.9825
TRMB03111-S 0.0140	TRMB03111-S	TRMB03103-S	CONDUIT	73.5	1.6201
TRMB04089_1 0.0150	TRMB04089	TRMB05017_US	CONDUIT	303.9	0.2929
TRMB04089_1-S 0.0140	TRMB04089-S	TRMB05017_US-S	CONDUIT	303.9	0.8556
TRMB04089_2 0.0150	TRMB05017_US	TRMB05017	CONDUIT	292.1	0.2910
TRMB04089_2-S 0.0140	TRMB05017_US-S	TRMB05017-S	CONDUIT	292.1	0.8525
TRMB05002 0.0150	TRMB05002	TRMB05001	CONDUIT	48.8	31.3024
TRMB05003 0.0150	TRMB05003	TRMB05002	CONDUIT	84.0	1.4636
TRMB05003-S 0.0140	TRMB05003-S	TRMB05002-S	CONDUIT	84.0	3.9054
TRMB05004 0.0130	TRMB05004	TRMB05003	CONDUIT	5.4	1.4735
TRMB05004-S 0.0140	TRMB05004-S	TRMB05003-S	CONDUIT	5.4	-13.5670
TRMB05005 0.0130	TRMB05005	TRMB05003	CONDUIT	23.4	2.4773
TRMB05005-S 0.0140	TRMB05005-S	TRMB05003-S	CONDUIT	23.4	3.9313
TRMB05006 0.0150	TRMB05006	TRMB05003	CONDUIT	254.7	0.5262
TRMB05006-S 0.0140	TRMB05006-S	TRMB05003-S	CONDUIT	254.7	0.8403
TRMB05008 0.0130	TRMB05008	TRMB05006	CONDUIT	143.5	2.0350

Alternative #1 (10-Year)

TRMB05008-S 0.0140	TRMB05008-S	TRMB05006-S	CONDUIT	143.5	-1.2403
TRMB05009_1 0.0150	TRMB05009	TRMB05009_DS	CONDUIT	111.0	1.0629
TRMB05009_1-S 0.0140	TRMB05009-S	TRMB05009_DS-S	CONDUIT	111.0	0.5314
TRMB05009_2 0.0150	TRMB05009_DS	TRMB05006	CONDUIT	288.9	1.0628
TRMB05009_2-S 0.0140	TRMB05009_DS-S	TRMB05006-S	CONDUIT	288.9	0.5400
TRMB05010 0.0130	TRMB05010	TRMB05006	CONDUIT	27.1	20.4438
TRMB05010-S 0.0140	TRMB05010-S	TRMB05006-S	CONDUIT	27.1	-0.4804
TRMB05011 0.0130	TRMB05011	TRMB05010	CONDUIT	23.6	3.0986
TRMB05011-S 0.0140	TRMB05011-S	TRMB05010-S	CONDUIT	23.6	2.4615
TRMB05012 0.0130	TRMB05012	TRMB05011	CONDUIT	28.8	-0.3467
TRMB05012-S 0.0140	TRMB05012-S	TRMB05011-S	CONDUIT	28.8	-0.3467
TRMB05013 0.0130	TRMB05013	TRMB05009	CONDUIT	5.1	121.2552
TRMB05013-S 0.0140	TRMB05013-S	TRMB05009-S	CONDUIT	5.1	-8.8232
TRMB05014 0.0130	TRMB05014	TRMB05009	CONDUIT	16.2	22.7773
TRMB05014-S 0.0140	TRMB05014-S	TRMB05009-S	CONDUIT	16.2	-1.8510
TRMB05015 0.0150	TRMB05015	TRMB05009	CONDUIT	253.6	0.4101
TRMB05015-S 0.0140	TRMB05015-S	TRMB05009-S	CONDUIT	253.6	1.2384
TRMB05016 0.0130	TRMB05016	TRMB05015	CONDUIT	21.9	20.2672
TRMB05016-S 0.0140	TRMB05016-S	TRMB05015-S	CONDUIT	21.9	-1.0935
TRMB05017 0.0150	TRMB05017	TRMB05015	CONDUIT	51.2	0.3517
TRMB05017-S 0.0140	TRMB05017-S	TRMB05015-S	CONDUIT	51.2	2.0129
TRMB05018 0.0150	TRMB05018	TRMB05015	CONDUIT	19.6	22.4197
TRMB05018-S 0.0140	TRMB05018-S	TRMB05015-S	CONDUIT	19.6	-0.8159
TRMB05019 0.0130	TRMB05019	TRMB05016	CONDUIT	9.6	2.1835
TRMB05019-S 0.0140	TRMB05019-S	TRMB05016-S	CONDUIT	9.6	-3.0159
TRMB05020 0.0150	TRMB05020	TRMB05016	CONDUIT	17.5	2.1172
TRMB05020-S 0.0140	TRMB05020-S	TRMB05016-S	CONDUIT	17.5	-0.7437
TRMB05021 0.0130	TRMB05021	TRMB05019	CONDUIT	115.6	0.7354
TRMB05021-S 0.0140	TRMB05021-S	TRMB05019-S	CONDUIT	115.6	0.4759
TRMB05022 0.0150	TRMB05022	TRMB05018	CONDUIT	11.0	-2.1843
TRMB05022-S 0.0140	TRMB05022-S	TRMB05018-S	CONDUIT	11.0	-0.8190

Alternative #1 (10-Year)

TRMB05023 0.0150	TRMB05023	TRMB05022	CONDUIT	232.1	0.5645
TRMB05023-S 0.0140	TRMB05023-S	TRMB05022-S	CONDUIT	232.1	-1.2886
TRMB05025 0.0130	TRMB05025	TRMB05017	CONDUIT	10.8	84.3531
TRMB05025-S 0.0140	TRMB05025-S	TRMB05017-S	CONDUIT	10.8	-4.4447
TRMB05026 0.0130	TRMB05026	TRMB05043	CONDUIT	20.4	18.3123
TRMB05026-S 0.0140	TRMB05026-S	TRMB05043-S	CONDUIT	20.4	-0.7832
TRMB05027 0.0130	TRMB05027	TRMB05017	CONDUIT	13.0	57.3219
TRMB05027-S 0.0140	TRMB05027-S	TRMB05017-S	CONDUIT	13.0	-7.2441
TRMB05028 0.0130	TRMB05028	TRMB05021	CONDUIT	100.2	0.4692
TRMB05028-S 0.0140	TRMB05028-S	TRMB05021-S	CONDUIT	100.2	0.7687
TRMB05029 0.0130	TRMB05029	TRMB05021	CONDUIT	21.5	0.6964
TRMB05029-S 0.0140	TRMB05029-S	TRMB05021-S	CONDUIT	21.5	0.6964
TRMB05030 0.0130	TRMB05030	TRMB05028	CONDUIT	17.0	2.9355
TRMB05030-S 0.0140	TRMB05030-S	TRMB05028-S	CONDUIT	17.0	-1.4673
TRMB05031 0.0130	TRMB05031	TRMB05028	CONDUIT	37.1	3.6643
TRMB05031-S 0.0140	TRMB05031-S	TRMB05028-S	CONDUIT	37.1	-0.3231
TRMB05032 0.0130	TRMB05032	TRMB05028	CONDUIT	38.7	2.6359
TRMB05032-S 0.0140	TRMB05032-S	TRMB05028-S	CONDUIT	38.7	-0.2067
TRMB05033 0.0130	TRMB05033	TRMB05030	CONDUIT	21.9	0.0046
TRMB05033-S 0.0140	TRMB05033-S	TRMB05030-S	CONDUIT	21.9	0.0046
TRMB05034 0.0130	TRMB05034	TRMB05032	CONDUIT	21.7	0.6903
TRMB05034-S 0.0140	TRMB05034-S	TRMB05032-S	CONDUIT	21.7	0.6903
TRMB05035 0.0150	TRMB05035	TRMB05040	CONDUIT	16.2	24.8548
TRMB05035-S 0.0140	TRMB05035-S	TRMB05040-S	CONDUIT	16.2	-0.2468
TRMB05036 0.0130	TRMB05036	TRMB05035	CONDUIT	42.8	0.9344
TRMB05036-S 0.0140	TRMB05036-S	TRMB05035-S	CONDUIT	42.8	-0.8176
TRMB05037 0.0130	TRMB05037	TRMB05036	CONDUIT	21.3	3.9994
TRMB05037-S 0.0140	TRMB05037-S	TRMB05036-S	CONDUIT	21.3	0.9403
TRMB05038 0.0130	TRMB05038	TRMB05035	CONDUIT	41.3	1.4522
TRMB05038-S 0.0140	TRMB05038-S	TRMB05035-S	CONDUIT	41.3	-0.3630
TRMB05039 0.0130	TRMB05039	TRMB05038	CONDUIT	25.0	0.5993

Alternative #1 (10-Year)

TRMB05039-S 0.0140	TRMB05039-S	TRMB05038-S	CONDUIT	25.0	-0.7192
TRMB05040 0.0150	TRMB05040	TRMB05041	CONDUIT	280.1	0.6927
TRMB05040-S 0.0140	TRMB05040-S	TRMB05041-S	CONDUIT	280.1	1.2997
TRMB05041 0.0150	TRMB05041	TRMB05045	CONDUIT	31.1	0.7074
TRMB05041-S 0.0140	TRMB05041-S	TRMB05045-S	CONDUIT	31.1	-0.7396
TRMB05042 0.0130	TRMB05042	TRMB05026	CONDUIT	27.0	-1.3335
TRMB05042-S 0.0140	TRMB05042-S	TRMB05026-S	CONDUIT	27.0	-1.3335
TRMB05044 0.0130	TRMB05044	TRMB05045	CONDUIT	116.6	0.7635
TRMB05044-S 0.0140	TRMB05044-S	TRMB05045-S	CONDUIT	116.6	-1.1668
TRMB05045 0.0150	TRMB05045	TRMB05046	CONDUIT	298.8	0.7297
TRMB05045-S 0.0140	TRMB05045-S	TRMB05046-S	CONDUIT	298.8	1.6101
TRMB05046 0.0150	TRMB05046	TRMB05048	CONDUIT	11.9	4.1983
TRMB05046-S 0.0140	TRMB05046-S	TRMB05048-S	CONDUIT	11.9	-5.1242
TRMB05048 0.0150	TRMB05048	J2	CONDUIT	30.3	0.6601

CountrySideE_Ditch_Culvert_In-IC CountrySideE_Ditch_Culvert_In-S
CountrySideE_Ditch_Culvert_In OUTLET

JMTB01003-IC	JMTB01003-S	JMTB01003	OUTLET
JMTB01004-IC	JMTB01004-S	JMTB01004	OUTLET
JMTB01005-IC	JMTB01005-S	JMTB01005	OUTLET
JMTB01006-IC	JMTB01006-S	JMTB01006	OUTLET
JMTB01102-IC	JMTB01102-S	JMTB01102	OUTLET
JMTB01103-IC	JMTB01103-S	JMTB01103	OUTLET
JMTB01104-IC	JMTB01104-S	JMTB01104	OUTLET
JMTB01105-IC	JMTB01105-S	JMTB01105	OUTLET
PCTB01068_US-IC	PCTB01068_US-S	PCTB01068_US	OUTLET
PCTB01068-IC	PCTB01068-S	PCTB01068	OUTLET
PCTB02001-IC	PCTB02001-S	PCTB02001	OUTLET
PCTB02002-IC	PCTB02002-S	PCTB02002	OUTLET
PCTB02003-IC	PCTB02003-S	PCTB02003	OUTLET
PCTB02004-IC	PCTB02004-S	PCTB02004	OUTLET
PCTB02011-IC	PCTB02011-S	PCTB02011	OUTLET
PCTB02012-IC	PCTB02012-S	PCTB02012	OUTLET
PCTB02014-IC	PCTB02014-S	PCTB02014	OUTLET
PCTB02015-IC	PCTB02015-S	PCTB02015	OUTLET
PCTB02016-IC	PCTB02016-S	PCTB02016	OUTLET
PCTB02017-IC	PCTB02017-S	PCTB02017	OUTLET
PCTB02022-IC	PCTB02022-S	PCTB02022	OUTLET
PCTB02023-IC	PCTB02023-S	PCTB02023	OUTLET
PCTB02189-IC	PCTB02189-S	PCTB02189	OUTLET
PCTB02191_DS-IC	PCTB02191_DS-S	PCTB02191_DS	OUTLET
PCTB02191-IC	PCTB02191-S	PCTB02191	OUTLET
PCTB02207-IC	PCTB02207-S	PCTB02207	OUTLET
PCTB02209-IC	PCTB02209-S	PCTB02209	OUTLET
PCTB02229-IC	PCTB02229-S	PCTB02229	OUTLET
PCTB02231-IC	PCTB02231-S	PCTB02231	OUTLET
PCTB02235-IC	PCTB02235-S	PCTB02235	OUTLET
PCTB02237-IC	PCTB02237-S	PCTB02237	OUTLET
PCTB02257_1-IC	PCTB02257_1-S	PCTB02257_1	OUTLET

Alternative #1 (10-Year)

PCTB02257-IC	PCTB02257-S	PCTB02257	OUTLET
PCTB02260-IC	PCTB02260-S	PCTB02260	OUTLET
PCTB02262-IC	PCTB02262-S	PCTB02262	OUTLET
PCTB02275-IC	PCTB02275-S	PCTB02275	OUTLET
PCTB02276-IC	PCTB02276-S	PCTB02276	OUTLET
PCTB02278-IC	PCTB02278-S	PCTB02278	OUTLET
PCTB02280-IC	PCTB02280-S	PCTB02280	OUTLET
PCTB02281-IC	PCTB02281-S	PCTB02281	OUTLET
PCTB02282-IC	PCTB02282-S	PCTB02282	OUTLET
PCTB02283-IC	PCTB02283-S	PCTB02283	OUTLET
PCTB02284-IC	PCTB02284-S	PCTB02284	OUTLET
PCTB02292-IC	PCTB02292-S	PCTB02292	OUTLET
PCTB02294-IC	PCTB02294-S	PCTB02294	OUTLET
PCTB02295-IC	PCTB02295-S	PCTB02295	OUTLET
PCTB02297-IC	PCTB02297-S	PCTB02297	OUTLET
PCTB02302-IC	PCTB02302-S	PCTB02302	OUTLET
PCTB02303-IC	PCTB02303-S	PCTB02303	OUTLET
PCTB02304-IC	PCTB02304-S	PCTB02304	OUTLET
PCTB02312-IC	PCTB02312-S	PCTB02312	OUTLET
PCTB02329-IC	PCTB02329-S	PCTB02329	OUTLET
PCTB02330-IC	PCTB02330-S	PCTB02330	OUTLET
PCTB02331-IC	PCTB02331-S	PCTB02331	OUTLET
PCTB02332-IC	PCTB02332-S	PCTB02332	OUTLET
TRMB02002-IC	TRMB02002-S	TRMB02002	OUTLET
TRMB02003-IC	TRMB02003-S	TRMB02003	OUTLET
TRMB02006-IC	TRMB02006-S	TRMB02006	OUTLET
TRMB02009-IC	TRMB02009-S	TRMB02009	OUTLET
TRMB02012-IC	TRMB02012-S	TRMB02012	OUTLET
TRMB02015-IC	TRMB02015-S	TRMB02015	OUTLET
TRMB02016-IC	TRMB02016-S	TRMB02016	OUTLET
TRMB02018-IC	TRMB02018-S	TRMB02018	OUTLET
TRMB02022-IC	TRMB02022-S	TRMB02022	OUTLET
TRMB02023-IC	TRMB02023-S	TRMB02023	OUTLET
TRMB02044_DS-IC	TRMB02044_DS-S	TRMB02044_DS	OUTLET
TRMB02044-IC	TRMB02044-S	TRMB02044	OUTLET
TRMB02045-IC	TRMB02045-S	TRMB02045	OUTLET
TRMB02046-IC	TRMB02046-S	TRMB02046	OUTLET
TRMB02047-IC	TRMB02047-S	TRMB02047	OUTLET
TRMB02048-IC	TRMB02048-S	TRMB02048	OUTLET
TRMB02049-IC	TRMB02049-S	TRMB02049	OUTLET
TRMB02050-IC	TRMB02050-S	TRMB02050	OUTLET
TRMB02051-IC	TRMB02051-S	TRMB02051	OUTLET
TRMB02052-IC	TRMB02052-S	TRMB02052	OUTLET
TRMB02056-IC	TRMB02056-S	TRMB02056	OUTLET
TRMB02057-IC	TRMB02057-S	TRMB02057	OUTLET
TRMB02060-IC	TRMB02060-S	TRMB02060	OUTLET
TRMB02063-IC	TRMB02063-S	TRMB02063	OUTLET
TRMB02064-IC	TRMB02064-S	TRMB02064	OUTLET
TRMB02067-IC	TRMB02067-S	TRMB02067	OUTLET
TRMB02068-IC	TRMB02068-S	TRMB02068	OUTLET
TRMB02069-IC	TRMB02069-S	TRMB02069	OUTLET
TRMB02070-IC	TRMB02070-S	TRMB02070	OUTLET
TRMB03016-IC	TRMB03016-S	TRMB03016	OUTLET
TRMB03022-IC	TRMB03022-S	TRMB03022	OUTLET
TRMB03025-IC	TRMB03025-S	TRMB03025	OUTLET
TRMB03028-IC	TRMB03028-S	TRMB03028	OUTLET
TRMB03029-IC	TRMB03029-S	TRMB03029	OUTLET
TRMB03030-IC	TRMB03030-S	TRMB03030	OUTLET
TRMB03031-IC	TRMB03031-S	J5	OUTLET
TRMB03032-IC	TRMB03032-S	TRMB03032	OUTLET
TRMB03033-IC	TRMB03033-S	TRMB03033	OUTLET
TRMB03034-IC	TRMB03034-S	TRMB03034	OUTLET

Alternative #1 (10-Year)

TRMB03036-IC	TRMB03036-S	J4	OUTLET
TRMB03037-IC	TRMB03037-S	TRMB03037	OUTLET
TRMB03038-IC	TRMB03038-S	TRMB03038	OUTLET
TRMB03039-IC	TRMB03039-S	TRMB03039	OUTLET
TRMB03042-IC	TRMB03042-S	TRMB03042	OUTLET
TRMB03043-IC	TRMB03043-S	TRMB03043	OUTLET
TRMB03044-IC	TRMB03044-S	TRMB03044	OUTLET
TRMB03049-IC	TRMB03049-S	TRMB03049	OUTLET
TRMB03051-IC	TRMB03051-S	TRMB03051	OUTLET
TRMB03052-IC	TRMB03052-S	TRMB03052	OUTLET
TRMB03054-IC	TRMB03054-S	TRMB03054	OUTLET
TRMB03055-IC	TRMB03055-S	TRMB03055	OUTLET
TRMB03063-IC	TRMB03063-S	TRMB03063	OUTLET
TRMB03065-IC	TRMB03065-S	TRMB03065	OUTLET
TRMB03067-IC	TRMB03067-S	TRMB03067	OUTLET
TRMB03068-IC	TRMB03068-S	TRMB03068	OUTLET
TRMB03069-IC	TRMB03069-S	TRMB03069	OUTLET
TRMB03070-IC	TRMB03070-S	J8	OUTLET
TRMB03072-IC	TRMB03072-S	TRMB03072	OUTLET
TRMB03073-IC	TRMB03073-S	TRMB03073	OUTLET
TRMB03084-IC	TRMB03084-S	TRMB03084	OUTLET
TRMB03087-IC	TRMB03087-S	TRMB03087	OUTLET
TRMB03088-IC	TRMB03088-S	TRMB03088	OUTLET
TRMB03089-IC	TRMB03089-S	TRMB03089	OUTLET
TRMB03090-IC	TRMB03090-S	TRMB03090	OUTLET
TRMB03091-IC	TRMB03091-S	TRMB03091	OUTLET
TRMB03092-IC	TRMB03092-S	TRMB03092	OUTLET
TRMB03094-IC	TRMB03094-S	TRMB03094	OUTLET
TRMB03095-IC	TRMB03095-S	TRMB03095	OUTLET
TRMB03096-IC	TRMB03096-S	TRMB03096	OUTLET
TRMB03097-IC	TRMB03097-S	TRMB03097	OUTLET
TRMB03101-IC	TRMB03101-S	TRMB03101	OUTLET
TRMB03102-IC	TRMB03102-S	TRMB03102	OUTLET
TRMB03103-IC	TRMB03103-S	TRMB03103	OUTLET
TRMB03111-IC	TRMB03111-S	TRMB03111	OUTLET
TRMB04089-IC	TRMB04089-S	TRMB04089	OUTLET
TRMB05002-IC	TRMB05002-S	TRMB05002	OUTLET
TRMB05003-IC	TRMB05003-S	TRMB05003	OUTLET
TRMB05004-IC	TRMB05004-S	TRMB05004	OUTLET
TRMB05005-IC	TRMB05005-S	TRMB05005	OUTLET
TRMB05006-IC	TRMB05006-S	TRMB05006	OUTLET
TRMB05008-IC	TRMB05008-S	TRMB05008	OUTLET
TRMB05009_DS-IC	TRMB05009_DS-S	TRMB05009_DS	OUTLET
TRMB05009-IC	TRMB05009-S	TRMB05009	OUTLET
TRMB05010-IC	TRMB05010-S	TRMB05010	OUTLET
TRMB05011-IC	TRMB05011-S	TRMB05011	OUTLET
TRMB05012-IC	TRMB05012-S	TRMB05012	OUTLET
TRMB05013-IC	TRMB05013-S	TRMB05013	OUTLET
TRMB05014-IC	TRMB05014-S	TRMB05014	OUTLET
TRMB05015-IC	TRMB05015-S	TRMB05015	OUTLET
TRMB05016-IC	TRMB05016-S	TRMB05016	OUTLET
TRMB05017_US-IC	TRMB05017_US-S	TRMB05017_US	OUTLET
TRMB05017-IC	TRMB05017-S	TRMB05017	OUTLET
TRMB05018-IC	TRMB05018-S	TRMB05018	OUTLET
TRMB05019-IC	TRMB05019-S	TRMB05019	OUTLET
TRMB05020-IC	TRMB05020-S	TRMB05020	OUTLET
TRMB05021-IC	TRMB05021-S	TRMB05021	OUTLET
TRMB05022-IC	TRMB05022-S	TRMB05022	OUTLET
TRMB05023-IC	TRMB05023-S	TRMB05023	OUTLET
TRMB05025-IC	TRMB05025-S	TRMB05025	OUTLET
TRMB05026-IC	TRMB05026-S	TRMB05026	OUTLET
TRMB05027-IC	TRMB05027-S	TRMB05027	OUTLET

Alternative #1 (10-Year)

TRMB05028-IC	TRMB05028-S	TRMB05028	OUTLET
TRMB05029-IC	TRMB05029-S	TRMB05029	OUTLET
TRMB05030-IC	TRMB05030-S	TRMB05030	OUTLET
TRMB05031-IC	TRMB05031-S	TRMB05031	OUTLET
TRMB05032-IC	TRMB05032-S	TRMB05032	OUTLET
TRMB05033-IC	TRMB05033-S	TRMB05033	OUTLET
TRMB05034-IC	TRMB05034-S	TRMB05034	OUTLET
TRMB05035-IC	TRMB05035-S	TRMB05035	OUTLET
TRMB05036-IC	TRMB05036-S	TRMB05036	OUTLET
TRMB05037-IC	TRMB05037-S	TRMB05037	OUTLET
TRMB05038-IC	TRMB05038-S	TRMB05038	OUTLET
TRMB05039-IC	TRMB05039-S	TRMB05039	OUTLET
TRMB05040-IC	TRMB05040-S	TRMB05040	OUTLET
TRMB05041-IC	TRMB05041-S	TRMB05041	OUTLET
TRMB05042-IC	TRMB05042-S	TRMB05042	OUTLET
TRMB05043-IC	TRMB05043-S	TRMB05043	OUTLET
TRMB05044-IC	TRMB05044-S	TRMB05044	OUTLET
TRMB05045-IC	TRMB05045-S	TRMB05045	OUTLET
TRMB05046-IC	TRMB05046-S	TRMB05046	OUTLET
TRMB05048-IC	TRMB05048-S	TRMB05048	OUTLET

 Cross Section Summary

Full Conduit Flow	Shape	Full Depth	Full Area	Hyd. Rad.	Max. Width	No. of Barrels

C1 2231.53	TRAPEZOIDAL	7.00	161.07	3.76	40.02	1
C14 64.66	PARABOLIC	2.00	10.67	1.16	8.00	1
C2 23.71	CIRCULAR	2.00	3.14	0.50	2.00	1
C2_1 86.08	CIRCULAR	2.50	4.91	0.63	2.50	1
C2_1-S 272.36	Transect1	0.75	21.13	0.48	55.00	1
C2_2 875.98	TRAPEZOIDAL	7.50	225.00	4.64	45.00	1
C3 126.19	Transect1	0.75	21.13	0.48	55.00	1
C4 15.47	CIRCULAR	2.50	4.91	0.63	2.50	1
C5 13.66	CIRCULAR	1.00	0.79	0.25	1.00	1
C9 23.98	CIRCULAR	1.25	1.23	0.31	1.25	1
C9-S 516.16	Transect1	0.75	21.13	0.48	55.00	1
CountrySideE_Ditch 61.07	TRAPEZOIDAL	2.00	22.00	1.50	13.00	1
CountrySideE_Ditch_Culvert 2 46.76	CIRCULAR		4.00	12.57	1.00	4.00
CountrySideE_Ditch_Culvert-S 1 98.63	Transect1		0.75	21.13	0.48	55.00
JMTB01003 27.99	RECT_CLOSED	2.00	8.00	0.67	4.00	1

Alternative #1 (10-Year)

JMTB01003-S 342.19	Transect1	0.75	21.13	0.48	55.00	1
JMTB01004 8.07	CIRCULAR	1.75	2.41	0.44	1.75	4
JMTB01004-S 122.05	Transect1	0.75	21.13	0.48	55.00	1
JMTB01005 21.23	RECT_CLOSED	2.00	8.00	0.67	4.00	2
JMTB01005-S 65.31	Transect1	0.75	21.13	0.48	55.00	1
JMTB01102 20.68	CIRCULAR	2.00	3.14	0.50	2.00	1
JMTB01102-S 219.17	Transect1	0.75	21.13	0.48	55.00	1
JMTB01103 15.08	CIRCULAR	2.25	3.98	0.56	2.25	1
JMTB01103_1 28.68	PARABOLIC	2.50	6.67	0.99	4.00	1
JMTB01103-S 143.11	Transect1	0.75	21.13	0.48	55.00	1
JMTB01104 6.42	CIRCULAR	1.25	1.23	0.31	1.25	1
JMTB01104-S 123.66	Transect1	0.75	21.13	0.48	55.00	1
PCTB01068 29.89	CIRCULAR	3.00	7.07	0.75	3.00	2
PCTB01068_US 31.38	CIRCULAR	3.00	7.07	0.75	3.00	2
PCTB01068_US-S 22.83	Transect1	0.75	21.13	0.48	55.00	1
PCTB02001_1 189.07	TRAPEZOIDAL	2.10	64.05	1.55	41.00	1
PCTB02001_2 188.22	TRAPEZOIDAL	2.10	64.05	1.55	41.00	1
PCTB02002 43.15	RECT_CLOSED	2.00	12.00	0.75	6.00	1
PCTB02002-S 185.94	Transect1	0.75	21.13	0.48	55.00	1
PCTB02003 10.40	CIRCULAR	2.00	3.14	0.50	2.00	1
PCTB02003-S 73.44	Transect1	0.75	21.13	0.48	55.00	1
PCTB02008 22.17	CIRCULAR	3.00	7.07	0.75	3.00	2
PCTB02011 131.68	CIRCULAR	4.00	12.57	1.00	4.00	1
PCTB02011_1 128.84	TRAPEZOIDAL	3.50	38.47	2.18	14.98	1
PCTB02011-S 216.69	Transect1	0.75	21.13	0.48	55.00	1
PCTB02014 65.39	CIRCULAR	3.00	7.07	0.75	3.00	1
PCTB02014_1 142.27	TRAPEZOIDAL	3.50	35.02	2.03	15.01	1
PCTB02014-S 167.20	Transect1	0.75	21.13	0.48	55.00	1
PCTB02016 7.89	CIRCULAR	1.50	1.77	0.38	1.50	1
PCTB02016-S 24.49	Transect1	0.75	21.13	0.48	55.00	1
PCTB02020 31.64	TRAPEZOIDAL	1.00	12.50	0.81	15.00	1

Alternative #1 (10-Year)

PCTB02021 5.15	TRAPEZOIDAL	1.00	7.50	0.72	10.00	1
PCTB02022 14.91	RECT_CLOSED	2.00	8.00	0.67	4.00	1
PCTB02022-S 48.25	Transect1	0.75	21.13	0.48	55.00	1
PCTB02023 16.96	RECT_CLOSED	2.00	8.00	0.67	4.00	1
PCTB02023-S 119.59	Transect1	0.75	21.13	0.48	55.00	1
PCTB02076 2537.96	TRAPEZOIDAL	7.00	161.07	3.76	40.02	1
PCTB02080 21.94	HORIZ_ELLIPSE	6.70	56.97	2.05	8.00	1
PCTB02160 456.69	TRAPEZOIDAL	7.00	161.07	3.76	40.02	1
PCTB02172 3971.77	TRAPEZOIDAL	7.00	161.07	3.76	40.02	1
PCTB02189 29.03	CIRCULAR	2.50	4.91	0.63	2.50	1
PCTB02189-S 79.29	Transect1	0.75	21.13	0.48	55.00	1
PCTB02208 86.15	CIRCULAR	4.00	12.57	1.00	4.00	1
PCTB02208-S 95.77	Transect1	0.75	21.13	0.48	55.00	1
PCTB02231 34.75	CIRCULAR	4.00	12.57	1.00	4.00	2
PCTB02231-S 43.58	Transect1	0.75	21.13	0.48	55.00	1
PCTB02237 56.05	CIRCULAR	4.00	12.57	1.00	4.00	2
PCTB02237-S 62.65	Transect1	0.75	21.13	0.48	55.00	1
PCTB02239 571.89	TRIANGULAR	3.50	43.75	1.69	25.00	1
PCTB02240 644.39	TRAPEZOIDAL	4.00	120.00	2.89	40.00	1
PCTB02259_1 192.32	TRAPEZOIDAL	4.00	120.00	2.89	40.00	1
PCTB02259_2 422.62	TRAPEZOIDAL	4.00	120.00	2.89	40.00	1
PCTB02260 47.36	CIRCULAR	4.00	12.57	1.00	4.00	2
PCTB02260-S 64.48	Transect1	0.75	21.13	0.48	55.00	1
PCTB02264 834.98	TRAPEZOIDAL	4.00	140.00	2.74	50.00	1
PCTB02274 539.91	PARABOLIC	4.00	53.33	2.43	20.00	1
PCTB02275 52.42	CIRCULAR	3.50	9.62	0.88	3.50	1
PCTB02275-S 305.25	Transect1	0.75	21.13	0.48	55.00	1
PCTB02276 9.47	CIRCULAR	3.50	9.62	0.88	3.50	1
PCTB02276-S 42.91	Transect1	0.75	21.13	0.48	55.00	1
PCTB02278 13.28	CIRCULAR	2.00	3.14	0.50	2.00	1
PCTB02278-S 134.35	Transect1	0.75	21.13	0.48	55.00	1

Alternative #1 (10-Year)

PCTB02279 721.01	TRAPEZOIDAL	4.00	72.00	2.30	30.00	1
PCTB02280 5.02	CIRCULAR	1.25	1.23	0.31	1.25	1
PCTB02280-S 73.87	Transect1	0.75	21.13	0.48	55.00	1
PCTB02281 6.77	CIRCULAR	1.25	1.23	0.31	1.25	1
PCTB02281-S 121.65	Transect1	0.75	21.13	0.48	55.00	1
PCTB02282 6.40	CIRCULAR	1.25	1.23	0.31	1.25	1
PCTB02282-S 153.84	Transect1	0.75	21.13	0.48	55.00	1
PCTB02283 4.26	CIRCULAR	1.25	1.23	0.31	1.25	1
PCTB02283-S 345.17	Transect1	0.75	21.13	0.48	55.00	1
PCTB02284 4.28	CIRCULAR	1.25	1.23	0.31	1.25	1
PCTB02284-S 101.04	Transect1	0.75	21.13	0.48	55.00	1
PCTB02292 618.28	TRAPEZOIDAL	7.50	176.06	4.47	34.95	1
PCTB02294 235.10	CIRCULAR	5.00	19.63	1.25	5.00	1
PCTB02294-S 144.14	Transect1	0.75	21.13	0.48	55.00	1
PCTB02295 700.47	TRAPEZOIDAL	10.00	200.00	5.35	25.00	1
PCTB02297 3.24	CIRCULAR	1.25	1.23	0.31	1.25	1
PCTB02297-S 45.68	Transect1	0.75	21.13	0.48	55.00	1
PCTB02299 2528.04	TRAPEZOIDAL	9.00	162.18	4.79	25.04	1
PCTB02300 3361.85	TRAPEZOIDAL	9.00	202.47	5.27	29.99	1
PCTB02301 267.24	TRAPEZOIDAL	5.00	35.00	2.23	10.00	1
PCTB02302 476.90	TRAPEZOIDAL	6.00	135.60	3.58	35.20	1
PCTB02303 155.43	CIRCULAR	5.00	19.63	1.25	5.00	1
PCTB02303-S 287.52	Transect1	0.75	21.13	0.48	55.00	1
PCTB02304 254.90	CIRCULAR	5.00	19.63	1.25	5.00	1
PCTB02304-S 410.56	Transect1	0.75	21.13	0.48	55.00	1
PCTB02312 691.12	TRAPEZOIDAL	6.00	150.00	3.55	40.00	1
PCTB02329 23.96	RECT_CLOSED	2.00	12.00	0.75	6.00	1
PCTB02329-S 116.57	Transect1	0.75	21.13	0.48	55.00	1
PCTB02330 27.16	RECT_CLOSED	2.00	12.00	0.75	6.00	1
PCTB02330-S 105.59	Transect1	0.75	21.13	0.48	55.00	1
PCTB02331 15.96	RECT_CLOSED	2.00	12.00	0.75	6.00	1

Alternative #1 (10-Year)

PCTB02331-S 79.91	Transect1	0.75	21.13	0.48	55.00	1
TRMB02002 220.91	CIRCULAR	4.00	12.57	1.00	4.00	1
TRMB02003 239.64	CIRCULAR	3.50	9.62	0.88	3.50	2
TRMB02003-S 444.01	Transect1	0.75	21.13	0.48	55.00	1
TRMB02006 104.95	CIRCULAR	3.50	9.62	0.88	3.50	2
TRMB02006-S 160.65	Transect1	0.75	21.13	0.48	55.00	1
TRMB02009 166.23	CIRCULAR	3.50	9.62	0.88	3.50	2
TRMB02009-S 267.62	Transect1	0.75	21.13	0.48	55.00	1
TRMB02012 91.01	CIRCULAR	3.50	9.62	0.88	3.50	2
TRMB02012-S 13.68	Transect1	0.75	21.13	0.48	55.00	1
TRMB02015 80.05	CIRCULAR	3.50	9.62	0.88	3.50	2
TRMB02015-S 131.47	Transect1	0.75	21.13	0.48	55.00	1
TRMB02016 192.18	CIRCULAR	3.50	9.62	0.88	3.50	2
TRMB02016-S 77.14	Transect1	0.75	21.13	0.48	55.00	1
TRMB02018 60.82	CIRCULAR	3.50	9.62	0.88	3.50	2
TRMB02018-S 137.42	Transect1	0.75	21.13	0.48	55.00	1
TRMB02022 65.64	CIRCULAR	3.50	9.62	0.88	3.50	2
TRMB02022-S 29.39	Transect1	0.75	21.13	0.48	55.00	1
TRMB02023 57.36	CIRCULAR	3.00	7.07	0.75	3.00	1
TRMB02023-S 2.80	Transect1	0.75	21.13	0.48	55.00	1
TRMB02044_1-S 121.23	Transect1	0.75	21.13	0.48	55.00	1
TRMB02044_2 76.89	CIRCULAR	3.50	9.62	0.88	3.50	1
TRMB02044_2-S 139.71	Transect1	0.75	21.13	0.48	55.00	1
TRMB02044_3 22.92	CIRCULAR	3.50	9.62	0.88	3.50	1
TRMB02044_4 1.54	CIRCULAR	3.50	9.62	0.88	3.50	1
TRMB02044_5 78.76	CIRCULAR	3.50	9.62	0.88	3.50	1
TRMB02045 58.60	CIRCULAR	3.50	9.62	0.88	3.50	1
TRMB02045-S 167.97	Transect1	0.75	21.13	0.48	55.00	1
TRMB02046-S 114.86	Transect1	0.75	21.13	0.48	55.00	1
TRMB02047-S 83.06	Transect1	0.75	21.13	0.48	55.00	1
TRMB02048 10.85	CIRCULAR	1.50	1.77	0.38	1.50	1

Alternative #1 (10-Year)

TRMB02048-S 206.84	Transect1	0.75	21.13	0.48	55.00	1
TRMB02049-S 67.29	Transect1	0.75	21.13	0.48	55.00	1
TRMB02050 33.16	CIRCULAR	3.50	9.62	0.88	3.50	1
TRMB02050-S 148.87	Transect1	0.75	21.13	0.48	55.00	1
TRMB02051 33.00	CIRCULAR	3.50	9.62	0.88	3.50	1
TRMB02051-S 118.18	Transect1	0.75	21.13	0.48	55.00	1
TRMB02052 89.08	CIRCULAR	3.50	9.62	0.88	3.50	1
TRMB02052-S 96.87	Transect1	0.75	21.13	0.48	55.00	1
TRMB02056 59.00	CIRCULAR	3.00	7.07	0.75	3.00	1
TRMB02056-S 193.57	Transect1	0.75	21.13	0.48	55.00	1
TRMB02057 57.34	CIRCULAR	3.00	7.07	0.75	3.00	1
TRMB02057-S 123.46	Transect1	0.75	21.13	0.48	55.00	1
TRMB02060 55.90	CIRCULAR	3.00	7.07	0.75	3.00	1
TRMB02060-S 195.68	Transect1	0.75	21.13	0.48	55.00	1
TRMB02063 36.77	CIRCULAR	2.00	3.14	0.50	2.00	1
TRMB02063-S 144.70	Transect1	0.75	21.13	0.48	55.00	1
TRMB02064 18.84	CIRCULAR	2.00	3.14	0.50	2.00	1
TRMB02064-S 116.56	Transect1	0.75	21.13	0.48	55.00	1
TRMB02067 6.85	CIRCULAR	1.75	2.41	0.44	1.75	1
TRMB02067-S 163.36	Transect1	0.75	21.13	0.48	55.00	1
TRMB02068 10.91	CIRCULAR	1.75	2.41	0.44	1.75	1
TRMB02068-S 161.17	Transect1	0.75	21.13	0.48	55.00	1
TRMB02069 15.96	CIRCULAR	1.75	2.41	0.44	1.75	1
TRMB02069-S 178.71	Transect1	0.75	21.13	0.48	55.00	1
TRMB02070 10.33	CIRCULAR	1.75	2.41	0.44	1.75	1
TRMB02070-S 104.17	Transect1	0.75	21.13	0.48	55.00	1
TRMB03016 114.19	CIRCULAR	3.50	9.62	0.88	3.50	1
TRMB03022 84.66	TRAPEZOIDAL	2.00	8.00	0.97	7.00	1
TRMB03025 200.03	CIRCULAR	3.50	9.62	0.88	3.50	1
TRMB03025-S 496.49	Transect1	0.75	21.13	0.48	55.00	1
TRMB03026 15.18	CIRCULAR	1.00	0.79	0.25	1.00	1

Alternative #1 (10-Year)

TRMB03027	CIRCULAR	1.00	0.79	0.25	1.00	1
3.72						
TRMB03028	CIRCULAR	3.50	9.62	0.88	3.50	1
13.33						
TRMB03028-S	Transect1	0.75	21.13	0.48	55.00	1
223.19						
TRMB03029	CIRCULAR	3.50	9.62	0.88	3.50	1
91.80						
TRMB03029-S	Transect1	0.75	21.13	0.48	55.00	1
145.37						
TRMB03030	CIRCULAR	3.50	9.62	0.88	3.50	1
81.98						
TRMB03030-S	Transect1	0.75	21.13	0.48	55.00	1
131.83						
TRMB03031	TRAPEZOIDAL	6.00	104.99	3.21	30.00	1
2547.14						
TRMB03032	CIRCULAR	3.50	9.62	0.88	3.50	1
86.28						
TRMB03032-S	Transect1	0.75	21.13	0.48	55.00	1
121.82						
TRMB03033	CIRCULAR	1.25	1.23	0.31	1.25	1
10.43						
TRMB03033-S	Transect1	0.75	21.13	0.48	55.00	1
198.53						
TRMB03034	CIRCULAR	2.50	4.91	0.63	2.50	1
51.48						
TRMB03034-S	Transect1	0.75	21.13	0.48	55.00	1
123.52						
TRMB03035-S	Transect1	0.75	21.13	0.48	55.00	1
18.11						
TRMB03036	CIRCULAR	3.00	7.07	0.75	3.00	1
35.87						
TRMB03036-S	Transect1	0.75	21.13	0.48	55.00	1
97.32						
TRMB03037	CIRCULAR	1.00	0.79	0.25	1.00	1
4.02						
TRMB03037-S	Transect1	0.75	21.13	0.48	55.00	1
135.68						
TRMB03038	CIRCULAR	1.00	0.79	0.25	1.00	1
13.62						
TRMB03038-S	Transect1	0.75	21.13	0.48	55.00	1
254.64						
TRMB03039	CIRCULAR	3.00	7.07	0.75	3.00	1
211.85						
TRMB03039-S	Transect1	0.75	21.13	0.48	55.00	1
89.57						
TRMB03042	CIRCULAR	1.25	1.23	0.31	1.25	1
11.51						
TRMB03042-S	Transect1	0.75	21.13	0.48	55.00	1
228.36						
TRMB03043	CIRCULAR	2.50	4.91	0.63	2.50	1
25.03						
TRMB03043-S	Transect1	0.75	21.13	0.48	55.00	1
97.64						
TRMB03044	CIRCULAR	1.50	1.77	0.38	1.50	1
12.37						
TRMB03044-S	Transect1	0.75	21.13	0.48	55.00	1
152.04						
TRMB03049	CIRCULAR	1.75	2.41	0.44	1.75	1
22.80						
TRMB03049-S	Transect1	0.75	21.13	0.48	55.00	1
278.13						

Alternative #1 (10-Year)

TRMB03051	CIRCULAR	2.00	3.14	0.50	2.00	1
53.17						
TRMB03051-S	Transect1	0.75	21.13	0.48	55.00	1
216.99						
TRMB03052	CIRCULAR	1.00	0.79	0.25	1.00	1
8.64						
TRMB03052-S	Transect1	0.75	21.13	0.48	55.00	1
120.68						
TRMB03054	CIRCULAR	2.00	3.14	0.50	2.00	1
5.51						
TRMB03054-S	Transect1	0.75	21.13	0.48	55.00	1
48.75						
TRMB03055	CIRCULAR	2.00	3.14	0.50	2.00	1
6.21						
TRMB03055-S	Transect1	0.75	21.13	0.48	55.00	1
26.06						
TRMB03063	CIRCULAR	1.50	1.77	0.38	1.50	1
10.65						
TRMB03063-S	Transect1	0.75	21.13	0.48	55.00	1
144.11						
TRMB03065	CIRCULAR	3.50	9.62	0.88	3.50	1
115.12						
TRMB03067	CIRCULAR	1.00	0.79	0.25	1.00	1
17.70						
TRMB03067-S	Transect1	0.75	21.13	0.48	55.00	1
443.26						
TRMB03068	CIRCULAR	2.00	3.14	0.50	2.00	1
32.30						
TRMB03068-S	Transect1	0.75	21.13	0.48	55.00	1
347.64						
TRMB03069	CIRCULAR	3.50	9.62	0.88	3.50	1
89.78						
TRMB03069-S	Transect1	0.75	21.13	0.48	55.00	1
102.80						
TRMB03070	CIRCULAR	3.50	9.62	0.88	3.50	1
146.76						
TRMB03070-S	Transect1	0.75	21.13	0.48	55.00	1
52.16						
TRMB03072	CIRCULAR	3.50	9.62	0.88	3.50	1
189.25						
TRMB03072-S_1	Transect1	0.75	21.13	0.48	55.00	1
249.38						
TRMB03073	CIRCULAR	1.25	1.23	0.31	1.25	1
11.35						
TRMB03073-S	Transect1	0.75	21.13	0.48	55.00	1
378.36						
TRMB03083	CIRCULAR	3.50	9.62	0.88	3.50	1
6.04						
TRMB03083-S	Transect1	0.75	21.13	0.48	55.00	1
185.20						
TRMB03084	CIRCULAR	3.50	9.62	0.88	3.50	1
110.01						
TRMB03084-S	Transect1	0.75	21.13	0.48	55.00	1
205.56						
TRMB03087-S	Transect1	0.75	21.13	0.48	55.00	1
205.26						
TRMB03088_1	CIRCULAR	3.00	7.07	0.75	3.00	1
72.74						
TRMB03088_2	CIRCULAR	3.00	7.07	0.75	3.00	1
66.23						
TRMB03088_3	CIRCULAR	3.00	7.07	0.75	3.00	1
65.89						

Alternative #1 (10-Year)

TRMB03088_5	CIRCULAR	3.50	9.62	0.88	3.50	1
99.78						
TRMB03088-S	Transect1	0.75	21.13	0.48	55.00	1
210.63						
TRMB03089	CIRCULAR	3.00	7.07	0.75	3.00	1
105.61						
TRMB03089-S	Transect1	0.75	21.13	0.48	55.00	1
37.95						
TRMB03090	CIRCULAR	3.00	7.07	0.75	3.00	1
73.99						
TRMB03090-S	Transect1	0.75	21.13	0.48	55.00	1
339.72						
TRMB03091	CIRCULAR	3.00	7.07	0.75	3.00	1
80.72						
TRMB03091-S	Transect1	0.75	21.13	0.48	55.00	1
211.36						
TRMB03092	CIRCULAR	1.25	1.23	0.31	1.25	1
16.34						
TRMB03092-S	Transect1	0.75	21.13	0.48	55.00	1
210.69						
TRMB03094	CIRCULAR	3.00	7.07	0.75	3.00	1
72.90						
TRMB03094-S	Transect1	0.75	21.13	0.48	55.00	1
142.50						
TRMB03095	CIRCULAR	1.25	1.23	0.31	1.25	1
39.30						
TRMB03095-S	Transect1	0.75	21.13	0.48	55.00	1
14.62						
TRMB03096	CIRCULAR	3.00	7.07	0.75	3.00	1
28.25						
TRMB03096-S	Transect1	0.75	21.13	0.48	55.00	1
331.55						
TRMB03097	CIRCULAR	1.25	1.23	0.31	1.25	1
15.39						
TRMB03097-S	Transect1	0.75	21.13	0.48	55.00	1
304.83						
TRMB03101	CIRCULAR	1.50	1.77	0.38	1.50	1
69.49						
TRMB03101-S	Transect1	0.75	21.13	0.48	55.00	1
385.64						
TRMB03102	CIRCULAR	3.00	7.07	0.75	3.00	1
88.49						
TRMB03102-S	Transect1	0.75	21.13	0.48	55.00	1
229.99						
TRMB03103	CIRCULAR	3.00	7.07	0.75	3.00	1
114.19						
TRMB03103-S	Transect1	0.75	21.13	0.48	55.00	1
259.09						
TRMB03111	CIRCULAR	2.00	3.14	0.50	2.00	1
39.07						
TRMB03111-S	Transect1	0.75	21.13	0.48	55.00	1
176.15						
TRMB04089_1	CIRCULAR	3.50	9.62	0.88	3.50	1
47.19						
TRMB04089_1-S	Transect1	0.75	21.13	0.48	55.00	1
128.01						
TRMB04089_2	CIRCULAR	3.50	9.62	0.88	3.50	1
47.04						
TRMB04089_2-S	Transect1	0.75	21.13	0.48	55.00	1
127.78						
TRMB05002	CIRCULAR	4.00	12.57	1.00	4.00	1
696.51						

Alternative #1 (10-Year)

TRMB05003	CIRCULAR	4.00	12.57	1.00	4.00	1
150.61						
TRMB05003-S	Transect1	0.75	21.13	0.48	55.00	1
273.49						
TRMB05004	CIRCULAR	3.50	9.62	0.88	3.50	1
122.13						
TRMB05004-S	Transect1	0.75	21.13	0.48	55.00	1
509.74						
TRMB05005	CIRCULAR	3.50	9.62	0.88	3.50	1
158.35						
TRMB05005-S	Transect1	0.75	21.13	0.48	55.00	1
274.39						
TRMB05006	CIRCULAR	4.00	12.57	1.00	4.00	1
90.30						
TRMB05006-S	Transect1	0.75	21.13	0.48	55.00	1
126.86						
TRMB05008	CIRCULAR	2.50	4.91	0.63	2.50	1
58.51						
TRMB05008-S	Transect1	0.75	21.13	0.48	55.00	1
154.13						
TRMB05009_1	CIRCULAR	3.50	9.62	0.88	3.50	1
89.90						
TRMB05009_1-S	Transect1	0.75	21.13	0.48	55.00	1
100.89						
TRMB05009_2	CIRCULAR	3.50	9.62	0.88	3.50	1
89.89						
TRMB05009_2-S	Transect1	0.75	21.13	0.48	55.00	1
101.70						
TRMB05010	CIRCULAR	2.00	3.14	0.50	2.00	1
102.29						
TRMB05010-S	Transect1	0.75	21.13	0.48	55.00	1
95.92						
TRMB05011	CIRCULAR	2.00	3.14	0.50	2.00	1
39.82						
TRMB05011-S	Transect1	0.75	21.13	0.48	55.00	1
217.12						
TRMB05012	CIRCULAR	1.25	1.23	0.31	1.25	1
3.80						
TRMB05012-S	Transect1	0.75	21.13	0.48	55.00	1
81.49						
TRMB05013	CIRCULAR	1.25	1.23	0.31	1.25	1
71.13						
TRMB05013-S	Transect1	0.75	21.13	0.48	55.00	1
411.07						
TRMB05014	CIRCULAR	1.25	1.23	0.31	1.25	1
30.83						
TRMB05014-S	Transect1	0.75	21.13	0.48	55.00	1
188.28						
TRMB05015	CIRCULAR	3.50	9.62	0.88	3.50	1
55.84						
TRMB05015-S	Transect1	0.75	21.13	0.48	55.00	1
154.01						
TRMB05016	CIRCULAR	2.50	4.91	0.63	2.50	1
184.66						
TRMB05016-S	Transect1	0.75	21.13	0.48	55.00	1
144.71						
TRMB05017	CIRCULAR	3.50	9.62	0.88	3.50	1
51.71						
TRMB05017-S	Transect1	0.75	21.13	0.48	55.00	1
196.34						
TRMB05018	CIRCULAR	1.25	1.23	0.31	1.25	1
26.51						

Alternative #1 (10-Year)

TRMB05018-S 125.01	Transect1	0.75	21.13	0.48	55.00	1
TRMB05019 60.61	CIRCULAR	2.50	4.91	0.63	2.50	1
TRMB05019-S 240.33	Transect1	0.75	21.13	0.48	55.00	1
TRMB05020 8.15	CIRCULAR	1.25	1.23	0.31	1.25	1
TRMB05020-S 119.35	Transect1	0.75	21.13	0.48	55.00	1
TRMB05021 35.18	CIRCULAR	2.50	4.91	0.63	2.50	1
TRMB05021-S 95.47	Transect1	0.75	21.13	0.48	55.00	1
TRMB05022 8.27	CIRCULAR	1.25	1.23	0.31	1.25	1
TRMB05022-S 125.24	Transect1	0.75	21.13	0.48	55.00	1
TRMB05023 4.21	CIRCULAR	1.25	1.23	0.31	1.25	1
TRMB05023-S 157.10	Transect1	0.75	21.13	0.48	55.00	1
TRMB05025 59.33	CIRCULAR	1.25	1.23	0.31	1.25	1
TRMB05025-S 291.76	Transect1	0.75	21.13	0.48	55.00	1
TRMB05026 27.64	CIRCULAR	1.25	1.23	0.31	1.25	1
TRMB05026-S 122.47	Transect1	0.75	21.13	0.48	55.00	1
TRMB05027 48.91	CIRCULAR	1.25	1.23	0.31	1.25	1
TRMB05027-S 372.47	Transect1	0.75	21.13	0.48	55.00	1
TRMB05028 28.10	CIRCULAR	2.50	4.91	0.63	2.50	1
TRMB05028-S 121.33	Transect1	0.75	21.13	0.48	55.00	1
TRMB05029 5.39	CIRCULAR	1.25	1.23	0.31	1.25	1
TRMB05029-S 115.49	Transect1	0.75	21.13	0.48	55.00	1
TRMB05030 38.76	CIRCULAR	2.00	3.14	0.50	2.00	1
TRMB05030-S 167.63	Transect1	0.75	21.13	0.48	55.00	1
TRMB05031 12.37	CIRCULAR	1.25	1.23	0.31	1.25	1
TRMB05031-S 78.66	Transect1	0.75	21.13	0.48	55.00	1
TRMB05032 36.73	CIRCULAR	2.00	3.14	0.50	2.00	1
TRMB05032-S 62.91	Transect1	0.75	21.13	0.48	55.00	1
TRMB05033 0.44	CIRCULAR	1.25	1.23	0.31	1.25	1
TRMB05033-S 9.35	Transect1	0.75	21.13	0.48	55.00	1
TRMB05034 5.37	CIRCULAR	1.25	1.23	0.31	1.25	1
TRMB05034-S 114.98	Transect1	0.75	21.13	0.48	55.00	1

Alternative #1 (10-Year)

TRMB05035	CIRCULAR	1.50	1.77	0.38	1.50	1
45.39						
TRMB05035-S	Transect1	0.75	21.13	0.48	55.00	1
68.75						
TRMB05036	CIRCULAR	1.25	1.23	0.31	1.25	1
6.24						
TRMB05036-S	Transect1	0.75	21.13	0.48	55.00	1
125.13						
TRMB05037	CIRCULAR	1.25	1.23	0.31	1.25	1
12.92						
TRMB05037-S	Transect1	0.75	21.13	0.48	55.00	1
134.20						
TRMB05038	CIRCULAR	1.25	1.23	0.31	1.25	1
7.78						
TRMB05038-S	Transect1	0.75	21.13	0.48	55.00	1
83.38						
TRMB05039	CIRCULAR	1.25	1.23	0.31	1.25	1
5.00						
TRMB05039-S	Transect1	0.75	21.13	0.48	55.00	1
117.36						
TRMB05040	CIRCULAR	2.00	3.14	0.50	2.00	1
16.32						
TRMB05040-S	Transect1	0.75	21.13	0.48	55.00	1
157.77						
TRMB05041	CIRCULAR	2.25	3.98	0.56	2.25	1
22.58						
TRMB05041-S	Transect1	0.75	21.13	0.48	55.00	1
119.01						
TRMB05042	CIRCULAR	1.25	1.23	0.31	1.25	1
7.46						
TRMB05042-S	Transect1	0.75	21.13	0.48	55.00	1
159.81						
TRMB05044	CIRCULAR	1.75	2.41	0.44	1.75	1
13.85						
TRMB05044-S	Transect1	0.75	21.13	0.48	55.00	1
149.48						
TRMB05045	CIRCULAR	2.25	3.98	0.56	2.25	1
22.93						
TRMB05045-S	Transect1	0.75	21.13	0.48	55.00	1
175.60						
TRMB05046	CIRCULAR	2.50	4.91	0.63	2.50	1
72.84						
TRMB05046-S	Transect1	0.75	21.13	0.48	55.00	1
313.27						
TRMB05048	CIRCULAR	2.50	4.91	0.63	2.50	1
28.88						

 Transect Summary

Transect Transect1
 Area:

0.0005	0.0021	0.0048	0.0085	0.0133
0.0192	0.0261	0.0341	0.0431	0.0533
0.0644	0.0767	0.0900	0.1044	0.1198
0.1363	0.1539	0.1725	0.1922	0.2130
0.2343	0.2556	0.2769	0.2982	0.3195
0.3408	0.3621	0.3834	0.4047	0.4260
0.4473	0.4686	0.4899	0.5115	0.5340

Alternative #1 (10-Year)

	0.5576	0.5823	0.6080	0.6349	0.6627
	0.6917	0.7217	0.7527	0.7849	0.8180
	0.8523	0.8876	0.9240	0.9615	1.0000
Hrad:					
	0.0151	0.0302	0.0453	0.0604	0.0755
	0.0906	0.1057	0.1208	0.1359	0.1510
	0.1661	0.1812	0.1963	0.2114	0.2265
	0.2416	0.2567	0.2718	0.2869	0.3020
	0.3319	0.3617	0.3915	0.4212	0.4508
	0.4804	0.5099	0.5394	0.5688	0.5982
	0.6275	0.6567	0.6859	0.7150	0.7424
	0.7680	0.7919	0.8142	0.8351	0.8547
	0.8731	0.8904	0.9067	0.9221	0.9367
	0.9506	0.9638	0.9764	0.9884	1.0000
Width:					
	0.0273	0.0545	0.0818	0.1091	0.1364
	0.1636	0.1909	0.2182	0.2455	0.2727
	0.3000	0.3273	0.3545	0.3818	0.4091
	0.4364	0.4636	0.4909	0.5182	0.5455
	0.5455	0.5455	0.5455	0.5455	0.5455
	0.5455	0.5455	0.5455	0.5455	0.5455
	0.5455	0.5455	0.5455	0.5636	0.5909
	0.6182	0.6455	0.6727	0.7000	0.7273
	0.7545	0.7818	0.8091	0.8364	0.8636
	0.8909	0.9182	0.9455	0.9727	1.0000

*****	Volume	Depth
Runoff Quantity Continuity	acre-feet	inches
*****	-----	-----
Total Precipitation	508.966	5.794
Evaporation Loss	0.000	0.000
Infiltration Loss	190.488	2.169
Surface Runoff	271.095	3.086
Final Surface Storage	47.446	0.540
Continuity Error (%)	-0.012	

*****	Volume	Volume
Flow Routing Continuity	acre-feet	10^6 gal
*****	-----	-----
Dry Weather Inflow	0.000	0.000
Wet Weather Inflow	270.934	88.288
Groundwater Inflow	0.000	0.000
RDII Inflow	0.000	0.000
External Inflow	0.000	0.000
External Outflow	-70.110	-22.846
Internal Outflow	340.115	110.832
Evaporation Loss	0.000	0.000
Exfiltration Loss	0.000	0.000
Initial Stored Volume	0.418	0.136
Final Stored Volume	17.191	5.602
Continuity Error (%)	-5.839	

 Highest Continuity Errors

 Node TRMB05002-S (-5061.26%)
 Node TRMB05006-S (-5000.55%)
 Node TRMB05021-S (-1827.13%)
 Node TRMB05035-S (-837.74%)

Alternative #1 (10-Year)

Node TRMB02069-S (-581.47%)

```
*****
Time-Step Critical Elements
*****
Link PCTB02237 (42.30%)
Link JMTB01004 (18.95%)
Link JMTB01003 (7.80%)
Link JMTB01104 (2.27%)
Link TRMB05033 (2.00%)
```

```
*****
Highest Flow Instability Indexes
*****
Link TRMB05020-IC (146)
Link TRMB05030-IC (143)
Link TRMB05028-IC (138)
Link TRMB03067-IC (136)
Link TRMB05036-IC (135)
```

```
*****
Routing Time Step Summary
*****
Minimum Time Step      : 0.50 sec
Average Time Step      : 3.10 sec
Maximum Time Step      : 5.00 sec
Percent in Steady State : 0.00
Average Iterations per Step : 6.24
Percent Not Converging  : 35.38
```

```
*****
Subcatchment Runoff Summary
*****
```

-----			Total	Total	Total	Total	Total	
Total	Peak	Runoff	Precip	Runon	Evap	Infil	Runoff	
Runoff	Runoff	Coeff	in	in	in	in	in	10^6
Subcatchment	Subcatchment							
gal	CFS							

PC_1321			5.79	0.00	0.00	2.21	2.90	
3.35	27.60	0.500						
PC_1323			5.79	0.00	0.00	2.82	2.30	
1.09	8.25	0.397						
PC_1324			5.79	0.00	0.00	2.06	2.85	
1.61	9.35	0.492						
PC_1325			5.79	0.00	0.00	2.78	2.19	
1.84	9.68	0.379						
PC_1326			5.79	0.00	0.00	2.07	3.15	
5.65	47.93	0.544						
PC_1327			5.79	0.00	0.00	2.00	2.95	
1.10	7.06	0.510						
PC_1350			5.79	0.00	0.00	2.43	2.64	
4.18	30.44	0.456						

Alternative #1 (10-Year)

PC_1360			5.79	0.00	0.00	2.70	2.39
2.48	17.71	0.412					
PC_571			5.79	0.00	0.00	2.64	2.53
11.19	77.26	0.437					
SubCatch_ASH_ST			5.79	0.00	0.00	1.62	4.08
0.14	3.34	0.704					
SubCatch_AVERY_ST			5.79	0.00	0.00	3.06	2.58
0.03	0.54	0.446					
SubCatch_BELVOIR_HW			5.79	0.00	0.00	1.51	3.90
3.86	48.01	0.674					
SubCatch_BELVOIR_HW_1			5.79	0.00	0.00	2.09	2.84
2.02	12.19	0.491					
SubCatch_CHESTNUT_ST			5.79	0.00	0.00	1.67	4.02
2.10	47.95	0.694					
SubCatch_COLONIAL_AV			5.79	0.00	0.00	2.08	3.61
0.04	0.85	0.623					
SubCatch_COLONIAL_AV_1			5.79	0.00	0.00	1.84	3.85
0.04	0.82	0.665					
SubCatch_CONTENTNEA_ST			5.79	0.00	0.00	0.29	5.43
0.00	0.11	0.938					
SubCatch_CONTENTNEA_ST_1			5.79	0.00	0.00	2.18	3.51
0.18	3.96	0.605					
SubCatch_CONTENTNEA_ST_2			5.79	0.00	0.00	2.98	2.65
0.14	2.84	0.458					
SubCatch_CONTENTNEA_ST_3			5.79	0.00	0.00	2.23	3.46
0.07	1.61	0.597					
SubCatch_CONTENTNEA_ST_4			5.79	0.00	0.00	2.03	3.67
0.15	3.43	0.633					
SubCatch_CONTENTNEA_ST_5			5.79	0.00	0.00	2.58	3.10
0.13	2.64	0.534					
SubCatch_CONTENTNEA_ST_6			5.79	0.00	0.00	2.66	3.01
0.02	0.45	0.520					
SubCatch_DAVIS_ST			5.79	0.00	0.00	1.68	4.02
0.07	1.57	0.694					
SubCatch_DAVIS_ST_1			5.79	0.00	0.00	2.18	3.50
0.08	1.75	0.604					
SubCatch_DAVIS_ST_2			5.79	0.00	0.00	3.22	2.40
0.14	2.69	0.414					
SubCatch_DAVIS_ST_3			5.79	0.00	0.00	2.22	3.47
0.12	2.51	0.598					
SubCatch_DAVIS_ST_4			5.79	0.00	0.00	2.18	3.51
0.16	3.38	0.605					
SubCatch_E_1ST_ST			5.79	0.00	0.00	2.62	3.05
0.44	8.49	0.526					
SubCatch_E_1ST_ST_1			5.79	0.00	0.00	1.61	4.08
0.06	1.43	0.704					
SubCatch_E_1ST_ST_2			5.79	0.00	0.00	2.24	3.44
0.24	4.90	0.593					
SubCatch_E_2ND_ST			5.79	0.00	0.00	0.53	5.17
0.65	15.35	0.892					
SubCatch_E_2ND_ST_1			5.79	0.00	0.00	0.67	5.05
0.00	0.10	0.871					
SubCatch_E_2ND_ST_2			5.79	0.00	0.00	3.68	1.95
0.00	0.01	0.337					
SubCatch_E_2ND_ST_3			5.79	0.00	0.00	3.27	2.35
0.01	0.11	0.406					
SubCatch_E_2ND_ST_4			5.79	0.00	0.00	1.15	4.49
0.09	1.78	0.775					
SubCatch_E_3RD_ST			5.79	0.00	0.00	2.98	2.66
0.09	1.88	0.459					
SubCatch_E_3RD_ST_1			5.79	0.00	0.00	0.76	4.92
0.89	20.75	0.850					

Alternative #1 (10-Year)

SubCatch_E_3RD_ST_2	5.79	0.00	0.00	2.27	3.42
0.18 4.00 0.590					
SubCatch_E_3RD_ST_3	5.79	0.00	0.00	1.87	3.82
0.18 4.22 0.659					
SubCatch_E_4TH_ST	5.79	0.00	0.00	2.43	3.26
0.08 1.85 0.562					
SubCatch_E_4TH_ST_1	5.79	0.00	0.00	1.59	4.11
0.34 8.07 0.710					
SubCatch_E_4TH_ST_2	5.79	0.00	0.00	2.15	3.53
0.08 1.79 0.608					
SubCatch_E_CATAWBA_RD	5.79	0.00	0.00	2.17	3.09
1.53 15.63 0.533					
SubCatch_FAIRFAX_AV	5.79	0.00	0.00	2.34	3.35
0.10 2.12 0.578					
SubCatch_FLEMING_SCHOOL_RD	5.79	0.00	0.00	2.49	2.66
1.97 16.67 0.459					
SubCatch_FLEMING_SCHOOL_RD_1	5.79	0.00	0.00	2.37	2.57
2.04 11.39 0.444					
SubCatch_FLEMING_SCHOOL_RD_2	5.79	0.00	0.00	1.47	3.56
0.35 2.86 0.615					
SubCatch_GREENFIELD_BV	5.79	0.00	0.00	1.77	3.27
2.62 20.43 0.564					
SubCatch_GREENFIELD_BV_1	5.79	0.00	0.00	0.87	4.47
1.00 11.96 0.771					
SubCatch_GREENFIELD_BV_2	5.79	0.00	0.00	2.20	2.72
0.63 3.63 0.470					
SubCatch_HAW_1	5.79	0.00	0.00	1.37	3.56
0.28 1.99 0.615					
SubCatch_HAW_2	5.79	0.00	0.00	2.61	2.83
1.35 15.39 0.488					
SubCatch_HOP_TYSON_RD	5.79	0.00	0.00	1.88	3.32
1.57 15.34 0.573					
SubCatch_JOHNSON_HEIGHTS	5.79	0.00	0.00	1.00	4.70
0.35 8.51 0.810					
SubCatch_LATHAM_ST	5.79	0.00	0.00	2.40	3.28
0.23 4.97 0.566					
SubCatch_N_ELM_ST	5.79	0.00	0.00	1.30	4.38
0.35 8.21 0.756					
SubCatch_N_ELM_ST_1	5.79	0.00	0.00	2.73	2.94
0.19 3.90 0.507					
SubCatch_N_ELM_ST_2	5.79	0.00	0.00	1.70	4.00
0.83 19.41 0.690					
SubCatch_N_HARDING_ST	5.79	0.00	0.00	2.75	2.93
0.18 3.93 0.506					
SubCatch_N_HARDING_ST_1	5.79	0.00	0.00	2.17	3.52
0.15 3.36 0.608					
SubCatch_N_HARDING_ST_2	5.79	0.00	0.00	2.37	3.32
0.27 6.06 0.573					
SubCatch_N_JARVIS_ST	5.79	0.00	0.00	2.33	3.27
0.28 5.19 0.565					
SubCatch_N_LIBRARY_ST	5.79	0.00	0.00	2.20	3.49
0.26 5.86 0.602					
SubCatch_N_MEMORIAL_DR	5.79	0.00	0.00	1.70	3.33
1.60 12.57 0.575					
SubCatch_N_OAK_ST	5.79	0.00	0.00	1.06	4.63
1.05 24.76 0.799					
SubCatch_N_OAK_ST_1	5.79	0.00	0.00	1.10	4.60
0.09 2.08 0.793					
SubCatch_N_OAK_ST_2	5.79	0.00	0.00	2.04	3.65
0.30 6.86 0.630					
SubCatch_N_SUMMIT_ST	5.79	0.00	0.00	2.85	2.80
0.02 0.34 0.483					

Alternative #1 (10-Year)

SubCatch_N_SUMMIT_ST_1	5.79	0.00	0.00	1.95	3.73
0.48 10.19 0.644					
SubCatch_PARK_DR	5.79	0.00	0.00	3.14	2.53
0.10 1.98 0.436					
SubCatch_RIVER_DR	5.79	0.00	0.00	2.49	3.19
0.38 8.39 0.551					
SubCatch_S_ELM_ST	5.79	0.00	0.00	2.53	3.11
0.54 10.64 0.536					
SubCatch_S_ELM_ST_1	5.79	0.00	0.00	2.12	3.57
0.25 5.77 0.617					
SubCatch_S_HARDING_ST	5.79	0.00	0.00	2.35	3.34
0.41 9.34 0.577					
SubCatch_S_LIBRARY_ST	5.79	0.00	0.00	2.38	3.32
0.43 9.68 0.572					
SubCatch_S_OAK_ST	5.79	0.00	0.00	2.30	3.39
0.17 3.79 0.585					
SubCatch_S_OAK_ST_1	5.79	0.00	0.00	1.48	4.21
0.14 3.25 0.726					
SubCatch_S_ROTARY_AV	5.79	0.00	0.00	1.42	4.27
0.53 11.83 0.738					
SubCatch_S_ROTARY_AV_1	5.79	0.00	0.00	2.09	3.61
0.43 10.03 0.623					
SubCatch_S_ROTARY_AV_2	5.79	0.00	0.00	1.62	4.05
0.20 4.27 0.699					
SubCatch_S_ROTARY_AV_3	5.79	0.00	0.00	1.57	4.10
0.09 1.85 0.708					
SubCatch_S_ROTARY_AV_5	5.79	0.00	0.00	2.79	2.85
0.05 0.89 0.492					
SubCatch_S_WOODLAWN_AV	5.79	0.00	0.00	2.27	3.41
0.09 1.80 0.589					
SubCatch_SPRUCE_ST	5.79	0.00	0.00	2.40	3.14
4.19 66.05 0.541					
SubCatch_STATON_HOUSE_RD	5.79	0.00	0.00	1.54	3.62
3.11 29.64 0.625					
SubCatch_STUDENT_ST	5.79	0.00	0.00	1.25	4.44
0.69 15.57 0.766					
SubCatch_TRENT_CI	5.79	0.00	0.00	2.53	2.59
0.71 5.57 0.447					
SubCatch_TRENT_CI_1	5.79	0.00	0.00	1.49	3.65
2.80 26.20 0.631					
SubCatch_VANCE_2	5.79	0.00	0.00	2.33	3.36
0.26 5.68 0.579					
SubCatch_VANCE_ST_1	5.79	0.00	0.00	0.86	4.86
0.00 0.10 0.839					
SubCatch_VANCE_ST_2	5.79	0.00	0.00	2.53	3.15
0.03 0.57 0.543					
SubCatch_VANCE_ST_3	5.79	0.00	0.00	1.87	3.83
0.12 2.72 0.661					
SubCatch_VANCE_ST_4	5.79	0.00	0.00	2.28	3.41
0.11 2.39 0.588					
SubCatch_VANCE_ST_5	5.79	0.00	0.00	2.43	3.25
0.11 2.24 0.561					
SubCatch_VANCE_ST_6	5.79	0.00	0.00	1.79	3.90
0.02 0.56 0.674					
SubCatch_VANCE_ST_7	5.79	0.00	0.00	2.61	3.07
0.02 0.48 0.529					
SubCatch_W_3RD_ST	5.79	0.00	0.00	0.49	5.23
0.00 0.03 0.902					
SubCatch_W_3RD_ST_1	5.79	0.00	0.00	0.57	5.15
0.00 0.07 0.889					
SubCatch_W_3RD_ST_2	5.79	0.00	0.00	1.71	3.99
0.03 0.71 0.689					

Alternative #1 (10-Year)

SubCatch_W_3RD_ST_3	5.79	0.00	0.00	2.15	3.53
0.10 2.16 0.610					
SubCatch_W_3RD_ST_5	5.79	0.00	0.00	2.50	3.18
0.06 1.36 0.549					
SubCatch_W_3RD_ST_6	5.79	0.00	0.00	1.53	4.17
0.05 1.11 0.720					
SubCatch_W_3RD_ST_7	5.79	0.00	0.00	1.68	4.02
0.02 0.43 0.693					
SubCatch_W_3RD_ST_8	5.79	0.00	0.00	2.27	3.42
0.04 0.97 0.590					
SubCatch_W_3RD_ST_9	5.79	0.00	0.00	2.92	2.73
0.10 2.17 0.472					
SubCatch_W_4TH_ST	5.79	0.00	0.00	2.40	3.28
0.07 1.52 0.566					
SubCatch_W_4TH_ST_2	5.79	0.00	0.00	1.84	3.86
0.07 1.63 0.666					
SubCatch_W_5th_ST	5.79	0.00	0.00	1.65	4.05
0.94 21.76 0.699					
SubCatch_WILLOW_ST	5.79	0.00	0.00	2.90	2.76
0.16 3.26 0.477					
SubCatch_WILLOW_ST_1	5.79	0.00	0.00	2.05	3.65
0.04 0.96 0.629					
SubCatch_WILSONACRES_APT	5.79	0.00	0.00	1.43	4.27
0.71 16.82 0.736					
SubCatch_WOODSIDE_RD	5.79	0.00	0.00	2.21	2.96
1.75 15.85 0.510					
SubCatch_WOODSIDE_RD_1	5.79	0.00	0.00	1.26	3.79
1.17 9.96 0.654					
SubInsert	5.79	0.00	0.00	1.70	3.76
1.68 21.76 0.650					

 Node Depth Summary

Node	Type	Average Depth Feet	Maximum Depth Feet	Maximum HGL Feet	Time of Max Occurrence days hr:min
CountrySideE_Ditch_Culvert_In	JUNCTION		2.47	3.26	24.91 0 13:38
CountrySideE_Ditch_Culvert_In-S	JUNCTION		0.17	0.33	27.83 0 13:00
J1	JUNCTION	0.99	1.93	23.57	0 12:46
J2	JUNCTION	2.88	4.00	45.52	0 12:01
J3	JUNCTION	1.25	3.17	27.17	0 12:02
J4	JUNCTION	14.92	22.73	22.73	0 11:58
J5	JUNCTION	0.57	2.34	17.22	0 12:01
J6	JUNCTION	0.58	2.19	19.69	0 12:01
J7	JUNCTION	0.59	2.18	14.03	0 12:01
J8	JUNCTION	0.59	2.72	13.84	0 12:00
J9	JUNCTION	0.07	0.30	14.44	0 12:00
JMTB01003	JUNCTION	0.91	1.81	26.83	0 12:57
JMTB01003-S	JUNCTION	0.30	0.75	27.77	0 11:51
JMTB01004	JUNCTION	0.88	1.78	26.78	0 12:56
JMTB01004-S	JUNCTION	0.04	0.16	27.75	0 11:52
JMTB01005	JUNCTION	0.86	1.75	26.65	0 13:02
JMTB01005-S	JUNCTION	0.00	0.01	27.30	0 13:05
JMTB01006	JUNCTION	1.00	1.92	26.51	0 13:09
JMTB01006-S	JUNCTION	0.49	0.75	27.29	0 11:51
JMTB01102	JUNCTION	0.92	2.30	28.89	0 12:30
JMTB01102-S	JUNCTION	0.20	0.75	29.81	0 12:30

Alternative #1 (10-Year)

JMTB01103	JUNCTION	1.07	2.42	28.84	0	12:30
JMTB01103-S	JUNCTION	0.01	0.19	29.76	0	12:30
JMTB01104	JUNCTION	0.88	2.27	28.90	0	12:29
JMTB01104-S	JUNCTION	0.01	0.07	29.81	0	12:30
JMTB01105	JUNCTION	1.32	2.37	28.40	0	12:30
JMTB01105-S	JUNCTION	0.27	0.75	28.56	0	12:14
PCTB01068	JUNCTION	1.01	1.86	21.21	0	12:36
PCTB01068_US	JUNCTION	0.97	1.74	21.74	0	12:36
PCTB01068_US-S	JUNCTION	0.12	0.55	25.85	0	12:33
PCTB01068-S	JUNCTION	0.03	0.45	25.81	0	12:33
PCTB02001	JUNCTION	0.87	1.80	23.58	0	12:46
PCTB02001-S	JUNCTION	0.08	0.55	23.93	0	12:30
PCTB02002	JUNCTION	0.82	1.80	23.65	0	12:39
PCTB02002-S	JUNCTION	0.00	0.00	24.25	0	00:00
PCTB02003	JUNCTION	0.87	1.47	25.45	0	13:28
PCTB02003-S	JUNCTION	0.25	0.75	26.98	0	11:54
PCTB02004	JUNCTION	0.52	1.24	25.40	0	13:26
PCTB02004-S	JUNCTION	0.25	0.58	26.99	0	11:54
PCTB02005	JUNCTION	0.42	0.86	25.26	0	12:30
PCTB02008	JUNCTION	1.06	1.87	23.51	0	12:47
PCTB02011	JUNCTION	0.82	1.67	23.53	0	12:47
PCTB02011-S	JUNCTION	0.01	0.04	26.80	0	12:25
PCTB02012	JUNCTION	1.05	1.95	23.57	0	12:48
PCTB02012-S	JUNCTION	0.26	0.75	26.81	0	12:24
PCTB02014	JUNCTION	1.92	2.88	23.58	0	12:46
PCTB02014-S	JUNCTION	0.04	0.35	23.58	0	12:46
PCTB02015	JUNCTION	1.64	2.61	23.58	0	12:47
PCTB02015-S	JUNCTION	0.00	0.00	23.64	0	00:00
PCTB02016	JUNCTION	0.57	1.03	25.26	0	12:31
PCTB02016-S	JUNCTION	0.00	0.00	25.88	0	00:00
PCTB02017	JUNCTION	0.86	1.45	25.44	0	13:28
PCTB02017-S	JUNCTION	0.00	0.00	25.89	0	00:00
PCTB02022	JUNCTION	0.68	1.91	24.23	0	12:31
PCTB02022-S	JUNCTION	0.10	0.54	25.30	0	12:30
PCTB02023	JUNCTION	0.67	1.92	24.22	0	12:32
PCTB02023-S	JUNCTION	0.04	0.58	25.30	0	12:30
PCTB02075	JUNCTION	6.55	6.59	23.81	0	13:32
PCTB02076	JUNCTION	6.06	6.10	23.81	0	13:23
PCTB02080	JUNCTION	6.94	6.97	23.80	0	13:32
PCTB02159	JUNCTION	5.77	5.81	23.81	0	13:23
PCTB02160	JUNCTION	5.78	5.82	23.81	0	13:23
PCTB02189	JUNCTION	3.45	4.19	23.76	0	00:03
PCTB02189-S	JUNCTION	0.24	0.75	24.51	0	12:22
PCTB02191	JUNCTION	4.58	4.59	23.00	0	00:02
PCTB02191_DS	JUNCTION	6.55	6.59	23.79	0	13:24
PCTB02191_DS-S	JUNCTION	0.75	0.75	22.95	0	00:07
PCTB02191-S	JUNCTION	0.08	0.38	23.38	0	12:25
PCTB02207	JUNCTION	3.36	3.85	24.47	0	13:36
PCTB02207-S	JUNCTION	0.00	0.00	24.62	0	00:00
PCTB02209	JUNCTION	2.98	3.69	24.77	0	13:38
PCTB02209-S	JUNCTION	0.00	0.00	25.08	0	00:00
PCTB02220	JUNCTION	5.22	5.32	23.87	0	00:08
PCTB02229	JUNCTION	4.89	5.14	24.02	0	00:08
PCTB02229-S	JUNCTION	0.00	0.00	24.52	0	00:00
PCTB02231	JUNCTION	4.79	5.08	24.18	0	13:36
PCTB02231-S	JUNCTION	0.00	0.00	24.80	0	00:00
PCTB02233	JUNCTION	0.00	0.00	25.41	0	00:00
PCTB02235	JUNCTION	4.06	4.40	24.25	0	13:35
PCTB02235-S	JUNCTION	0.29	0.75	26.15	0	11:55
PCTB02237	JUNCTION	3.94	4.43	24.46	0	13:36
PCTB02237-S	JUNCTION	0.13	0.57	26.15	0	11:56
PCTB02257	JUNCTION	2.73	3.47	24.83	0	13:38

Alternative #1 (10-Year)

PCTB02257_1	JUNCTION	2.73	3.47	24.83	0	13:38
PCTB02257_1-S	JUNCTION	0.05	0.16	26.92	0	11:59
PCTB02257-S	JUNCTION	0.23	0.75	27.71	0	12:23
PCTB02260	JUNCTION	2.71	3.45	24.83	0	13:38
PCTB02260-S	JUNCTION	0.00	0.00	25.93	0	00:00
PCTB02262	JUNCTION	2.78	3.49	24.77	0	13:39
PCTB02262-S	JUNCTION	0.00	0.00	25.78	0	00:00
PCTB02275	JUNCTION	2.65	3.40	24.85	0	13:38
PCTB02275-S	JUNCTION	0.01	0.17	25.72	0	12:31
PCTB02276	JUNCTION	2.62	3.39	24.91	0	13:39
PCTB02276-S	JUNCTION	0.00	0.00	26.12	0	00:00
PCTB02278	JUNCTION	2.16	3.15	25.39	0	15:08
PCTB02278-S	JUNCTION	0.19	0.75	25.39	0	13:25
PCTB02280	JUNCTION	3.66	3.69	22.58	0	00:11
PCTB02280-S	JUNCTION	0.53	0.75	23.33	0	11:59
PCTB02281	JUNCTION	3.53	3.61	22.77	0	00:11
PCTB02281-S	JUNCTION	0.29	0.57	23.34	0	12:00
PCTB02282	JUNCTION	3.32	3.57	23.33	0	12:29
PCTB02282-S	JUNCTION	0.03	0.14	25.29	0	12:30
PCTB02283	JUNCTION	2.92	2.95	22.87	0	00:13
PCTB02283-S	JUNCTION	0.01	0.20	23.07	0	12:30
PCTB02284	JUNCTION	2.58	2.92	23.18	0	00:13
PCTB02284-S	JUNCTION	0.00	0.00	23.18	0	00:00
PCTB02292	JUNCTION	5.62	5.78	23.78	0	00:23
PCTB02292-S	JUNCTION	0.36	0.49	23.49	0	12:30
PCTB02294	JUNCTION	5.97	6.07	23.74	0	00:24
PCTB02294-S	JUNCTION	0.30	0.40	23.07	0	00:17
PCTB02295	JUNCTION	6.50	6.54	23.78	0	13:02
PCTB02295-S	JUNCTION	0.75	0.75	22.99	0	00:08
PCTB02297	JUNCTION	2.60	2.90	23.31	0	00:14
PCTB02297-S	JUNCTION	0.07	0.30	23.61	0	12:30
PCTB02302	JUNCTION	5.27	5.51	23.85	0	00:22
PCTB02302-S	JUNCTION	0.32	0.51	23.85	0	00:22
PCTB02303	JUNCTION	5.44	7.12	25.25	0	00:14
PCTB02303-S	JUNCTION	0.07	0.18	25.43	0	12:30
PCTB02304	JUNCTION	5.18	5.23	23.60	0	00:14
PCTB02304-S	JUNCTION	0.33	0.75	24.35	0	11:49
PCTB02312	JUNCTION	5.36	5.56	23.81	0	00:22
PCTB02312-S	JUNCTION	0.41	0.53	23.78	0	00:22
PCTB02329	JUNCTION	0.78	1.82	23.82	0	12:32
PCTB02329-S	JUNCTION	0.00	0.05	24.28	0	12:30
PCTB02330	JUNCTION	0.75	1.90	24.00	0	12:32
PCTB02330-S	JUNCTION	0.01	0.20	25.62	0	12:30
PCTB02331	JUNCTION	0.74	1.92	24.07	0	12:32
PCTB02331-S	JUNCTION	0.14	0.64	25.68	0	12:30
PCTB02332	JUNCTION	0.72	1.92	24.12	0	12:32
PCTB02332-S	JUNCTION	0.00	0.01	25.68	0	12:30
TRMB02002	JUNCTION	0.59	1.99	7.54	0	12:05
TRMB02002-S	JUNCTION	0.00	0.08	16.29	0	12:00
TRMB02003	JUNCTION	3.26	5.37	8.25	0	12:04
TRMB02003-S	JUNCTION	0.02	0.47	13.05	0	12:04
TRMB02006	JUNCTION	0.51	1.60	10.20	0	12:05
TRMB02006-S	JUNCTION	0.01	0.24	18.14	0	12:00
TRMB02009	JUNCTION	0.40	1.21	18.48	0	12:04
TRMB02009-S	JUNCTION	0.03	0.24	27.06	0	12:00
TRMB02012	JUNCTION	0.57	1.96	21.46	0	12:04
TRMB02012-S	JUNCTION	0.00	0.00	26.80	0	12:00
TRMB02015	JUNCTION	0.05	0.55	21.60	0	12:05
TRMB02015-S	JUNCTION	0.05	0.75	25.89	0	11:56
TRMB02016	JUNCTION	0.35	1.02	22.16	0	12:04
TRMB02016-S	JUNCTION	0.05	0.69	25.91	0	11:57
TRMB02018	JUNCTION	0.66	2.06	24.97	0	12:04

Alternative #1 (10-Year)

TRMB02018-S	JUNCTION	0.03	0.40	29.06	0	12:03
TRMB02022	JUNCTION	2.47	3.10	26.88	0	12:04
TRMB02022-S	JUNCTION	0.09	1.08	29.64	0	12:03
TRMB02023	JUNCTION	0.55	1.62	25.62	0	12:03
TRMB02023-S	JUNCTION	0.02	0.45	29.64	0	12:03
TRMB02044	JUNCTION	0.42	1.43	32.07	0	12:02
TRMB02044_DS	JUNCTION	1.22	3.48	27.63	0	12:02
TRMB02044_DS-S	JUNCTION	0.08	0.47	33.49	0	12:00
TRMB02044-S	JUNCTION	0.00	0.00	37.10	0	00:00
TRMB02045	JUNCTION	0.50	1.76	32.54	0	12:01
TRMB02045-S	JUNCTION	0.00	0.00	36.74	0	00:00
TRMB02046	JUNCTION	0.02	0.02	33.05	0	00:20
TRMB02046-S	JUNCTION	0.00	0.00	36.63	0	12:00
TRMB02047	JUNCTION	0.22	0.74	34.93	0	12:00
TRMB02047-S	JUNCTION	0.01	0.14	36.90	0	12:00
TRMB02048	JUNCTION	0.11	0.37	33.37	0	12:00
TRMB02048-S	JUNCTION	0.00	0.00	39.25	0	12:00
TRMB02049	JUNCTION	0.48	1.60	31.30	0	12:01
TRMB02049-S	JUNCTION	0.00	0.13	39.47	0	12:00
TRMB02050	JUNCTION	0.61	2.01	32.88	0	12:01
TRMB02050-S	JUNCTION	0.00	0.00	36.02	0	00:00
TRMB02051	JUNCTION	0.64	2.20	33.29	0	12:01
TRMB02051-S	JUNCTION	0.00	0.10	35.00	0	12:00
TRMB02052	JUNCTION	0.51	2.25	33.50	0	12:01
TRMB02052-S	JUNCTION	0.00	0.00	34.80	0	12:00
TRMB02056	JUNCTION	0.41	2.11	33.52	0	12:01
TRMB02056-S	JUNCTION	0.00	0.09	35.29	0	12:00
TRMB02057	JUNCTION	0.43	2.01	33.55	0	12:01
TRMB02057-S	JUNCTION	0.01	0.23	35.57	0	12:00
TRMB02060	JUNCTION	0.38	1.09	35.39	0	12:01
TRMB02060-S	JUNCTION	0.02	0.22	41.46	0	12:00
TRMB02063	JUNCTION	0.24	0.76	40.93	0	12:00
TRMB02063-S	JUNCTION	0.00	0.00	43.67	0	11:57
TRMB02064	JUNCTION	0.36	1.33	42.37	0	12:00
TRMB02064-S	JUNCTION	0.00	0.03	44.59	0	12:00
TRMB02067	JUNCTION	0.49	1.64	42.90	0	12:00
TRMB02067-S	JUNCTION	0.01	0.16	46.36	0	12:00
TRMB02068	JUNCTION	0.30	0.93	43.05	0	12:00
TRMB02068-S	JUNCTION	0.01	0.14	48.80	0	12:00
TRMB02069	JUNCTION	0.14	0.46	43.03	0	12:00
TRMB02069-S	JUNCTION	0.00	0.00	49.40	0	13:10
TRMB02070	JUNCTION	0.20	0.61	43.33	0	12:00
TRMB02070-S	JUNCTION	0.00	0.03	49.63	0	12:00
TRMB03016	JUNCTION	0.54	2.35	10.29	0	12:00
TRMB03016-S	JUNCTION	0.00	0.00	14.88	0	00:00
TRMB03022	JUNCTION	0.48	1.55	11.45	0	12:02
TRMB03022-S	JUNCTION	0.00	0.00	12.57	0	12:00
TRMB03025	JUNCTION	0.34	1.14	13.93	0	12:02
TRMB03025-S	JUNCTION	0.00	0.08	19.67	0	12:00
TRMB03026	JUNCTION	0.04	0.18	15.29	0	12:00
TRMB03027	JUNCTION	0.10	0.47	15.92	0	12:00
TRMB03028	JUNCTION	0.91	3.08	15.86	0	12:02
TRMB03028-S	JUNCTION	0.00	0.00	20.09	0	00:00
TRMB03029	JUNCTION	0.48	1.95	15.73	0	12:02
TRMB03029-S	JUNCTION	0.00	0.00	19.13	0	00:00
TRMB03030	JUNCTION	0.00	0.00	14.88	0	00:00
TRMB03030-S	JUNCTION	0.00	0.00	19.95	0	00:00
TRMB03031	JUNCTION	0.00	0.00	17.87	0	00:00
TRMB03031-S	JUNCTION	0.01	0.14	26.22	0	12:00
TRMB03032	JUNCTION	0.47	1.67	22.93	0	12:01
TRMB03032-S	JUNCTION	0.00	0.04	28.66	0	12:00
TRMB03033	JUNCTION	0.04	0.53	28.06	0	12:00

Alternative #1 (10-Year)

TRMB03033-S	JUNCTION	0.00	0.00	30.21	0	12:00
TRMB03034	JUNCTION	0.20	0.72	28.06	0	12:00
TRMB03034-S	JUNCTION	0.00	0.13	30.49	0	12:00
TRMB03035-S	JUNCTION	0.00	0.00	29.28	0	12:02
TRMB03036	JUNCTION	0.62	2.49	24.22	0	12:01
TRMB03036-S	JUNCTION	0.00	0.01	29.29	0	12:00
TRMB03037	JUNCTION	0.40	1.99	29.74	0	11:48
TRMB03037-S	JUNCTION	0.01	0.24	30.91	0	12:00
TRMB03038	JUNCTION	0.00	0.00	26.54	0	00:00
TRMB03038-S	JUNCTION	0.00	0.00	30.40	0	00:00
TRMB03039	JUNCTION	0.22	0.75	24.09	0	12:01
TRMB03039-S	JUNCTION	0.00	0.11	30.01	0	12:00
TRMB03042	JUNCTION	0.19	0.53	36.43	0	12:00
TRMB03042-S	JUNCTION	0.01	0.19	40.86	0	12:00
TRMB03043	JUNCTION	0.42	1.60	25.92	0	12:01
TRMB03043-S	JUNCTION	0.00	0.00	28.59	0	12:00
TRMB03044	JUNCTION	0.21	0.90	26.32	0	12:00
TRMB03044-S	JUNCTION	0.01	0.42	28.96	0	12:00
TRMB03049	JUNCTION	0.07	1.17	25.92	0	12:01
TRMB03049-S	JUNCTION	0.00	0.00	29.22	0	00:00
TRMB03051	JUNCTION	0.21	0.72	26.05	0	12:01
TRMB03051-S	JUNCTION	0.00	0.01	28.15	0	12:00
TRMB03052	JUNCTION	0.00	0.00	27.03	0	00:00
TRMB03052-S	JUNCTION	0.00	0.00	28.36	0	00:00
TRMB03054	JUNCTION	0.48	1.59	27.03	0	12:00
TRMB03054-S	JUNCTION	0.00	0.19	28.56	0	12:01
TRMB03055	JUNCTION	0.45	1.31	26.81	0	12:00
TRMB03055-S	JUNCTION	0.01	0.26	28.48	0	12:00
TRMB03063	JUNCTION	0.25	0.69	28.69	0	12:00
TRMB03063-S	JUNCTION	0.01	0.21	31.28	0	12:00
TRMB03065	JUNCTION	0.64	2.42	4.95	0	12:01
TRMB03065-S	JUNCTION	0.00	0.04	14.04	0	12:00
TRMB03067	JUNCTION	0.06	0.12	18.26	0	11:47
TRMB03067-S	JUNCTION	0.00	0.01	20.66	0	11:49
TRMB03068	JUNCTION	0.22	0.56	5.39	0	11:48
TRMB03068-S	JUNCTION	0.02	0.16	15.54	0	12:00
TRMB03069	JUNCTION	0.72	2.87	6.27	0	12:01
TRMB03069-S	JUNCTION	0.01	0.20	14.43	0	12:00
TRMB03070	JUNCTION	0.09	1.69	6.27	0	12:01
TRMB03070-S	JUNCTION	0.00	0.02	14.16	0	12:00
TRMB03072	JUNCTION	0.46	1.51	10.49	0	12:01
TRMB03072-S	JUNCTION	0.00	0.00	18.10	0	12:30
TRMB03073	JUNCTION	0.17	0.47	17.03	0	12:00
TRMB03073-S	JUNCTION	0.01	0.11	19.50	0	12:00
TRMB03083	JUNCTION	0.00	0.00	9.78	0	00:00
TRMB03083-S	JUNCTION	0.00	0.00	18.62	0	00:00
TRMB03084	JUNCTION	0.77	3.17	13.07	0	12:01
TRMB03084-S	JUNCTION	0.01	0.22	18.17	0	12:30
TRMB03087	JUNCTION	0.78	3.17	13.07	0	12:01
TRMB03087-S	JUNCTION	0.03	0.48	16.75	0	12:30
TRMB03088	JUNCTION	0.55	2.03	23.57	0	12:00
TRMB03088-S	JUNCTION	0.00	0.00	29.85	0	00:00
TRMB03089	JUNCTION	0.45	1.59	24.13	0	12:00
TRMB03089-S	JUNCTION	0.00	0.00	29.82	0	00:00
TRMB03090	JUNCTION	1.13	3.78	26.14	0	12:00
TRMB03090-S	JUNCTION	0.03	0.75	29.69	0	11:57
TRMB03091	JUNCTION	0.48	1.62	28.06	0	12:00
TRMB03091-S	JUNCTION	0.01	0.31	34.13	0	12:00
TRMB03092	JUNCTION	0.15	0.40	30.28	0	12:00
TRMB03092-S	JUNCTION	0.01	0.13	31.80	0	12:00
TRMB03094	JUNCTION	0.50	1.68	29.77	0	12:00
TRMB03094-S	JUNCTION	0.01	0.38	35.30	0	12:00

Alternative #1 (10-Year)

TRMB03095	JUNCTION	0.03	0.34	32.39	0	12:00
TRMB03095-S	JUNCTION	0.01	0.38	35.30	0	12:00
TRMB03096	JUNCTION	0.64	1.86	30.01	0	12:00
TRMB03096-S	JUNCTION	0.01	0.28	36.64	0	12:00
TRMB03097	JUNCTION	0.19	0.47	34.83	0	12:00
TRMB03097-S	JUNCTION	0.02	0.21	40.49	0	12:00
TRMB03101	JUNCTION	0.04	0.07	32.57	0	12:59
TRMB03101-S	JUNCTION	0.00	0.00	37.20	0	13:17
TRMB03102	JUNCTION	0.37	0.92	30.19	0	12:00
TRMB03102-S	JUNCTION	0.02	0.37	38.05	0	12:00
TRMB03103	JUNCTION	0.30	0.65	33.66	0	12:00
TRMB03103-S	JUNCTION	0.03	0.34	41.38	0	12:00
TRMB03111	JUNCTION	0.27	0.53	35.73	0	12:00
TRMB03111-S	JUNCTION	0.05	0.37	42.60	0	12:00
TRMB04089	JUNCTION	0.71	1.62	49.59	0	12:02
TRMB04089-S	JUNCTION	0.22	0.71	61.48	0	12:30
TRMB04265-S	JUNCTION	0.00	0.00	59.86	0	00:00
TRMB05002	JUNCTION	0.50	1.62	39.81	0	12:02
TRMB05002-S	JUNCTION	0.00	0.00	43.94	0	11:01
TRMB05003	JUNCTION	1.36	3.61	43.03	0	12:00
TRMB05003-S	JUNCTION	0.00	0.00	47.22	0	11:34
TRMB05004	JUNCTION	1.28	3.55	43.05	0	12:00
TRMB05004-S	JUNCTION	0.00	0.01	46.50	0	12:56
TRMB05005	JUNCTION	0.80	3.03	43.03	0	12:00
TRMB05005-S	JUNCTION	0.00	0.05	48.19	0	12:00
TRMB05006	JUNCTION	1.22	3.80	44.56	0	12:01
TRMB05006-S	JUNCTION	0.00	0.00	49.36	0	11:34
TRMB05008	JUNCTION	0.36	1.03	44.71	0	12:01
TRMB05008-S	JUNCTION	0.00	0.04	47.62	0	12:00
TRMB05009	JUNCTION	0.94	2.49	47.50	0	12:00
TRMB05009_DS	JUNCTION	0.94	2.48	46.31	0	12:01
TRMB05009_DS-S	JUNCTION	0.00	0.01	50.93	0	12:00
TRMB05009-S	JUNCTION	0.01	0.09	51.60	0	12:35
TRMB05010	JUNCTION	0.10	0.28	46.46	0	12:00
TRMB05010-S	JUNCTION	0.00	0.07	49.30	0	12:00
TRMB05011	JUNCTION	0.10	0.28	47.19	0	12:00
TRMB05011-S	JUNCTION	0.00	0.00	49.81	0	13:00
TRMB05012	JUNCTION	0.34	0.84	47.65	0	12:00
TRMB05012-S	JUNCTION	0.00	0.03	49.74	0	12:00
TRMB05013	JUNCTION	0.05	0.13	49.09	0	12:00
TRMB05013-S	JUNCTION	0.00	0.02	51.08	0	12:00
TRMB05014	JUNCTION	0.09	0.26	48.87	0	12:00
TRMB05014-S	JUNCTION	0.00	0.08	51.29	0	12:00
TRMB05015	JUNCTION	1.21	3.29	49.34	0	12:01
TRMB05015-S	JUNCTION	0.03	0.21	54.86	0	11:55
TRMB05016	JUNCTION	0.17	0.52	50.93	0	12:00
TRMB05016-S	JUNCTION	0.00	0.07	54.48	0	12:01
TRMB05017	JUNCTION	1.16	3.22	49.45	0	12:01
TRMB05017_US	JUNCTION	0.96	2.47	49.55	0	12:02
TRMB05017_US-S	JUNCTION	0.16	0.75	58.92	0	11:54
TRMB05017-S	JUNCTION	0.06	0.29	55.97	0	12:34
TRMB05018	JUNCTION	0.07	0.31	50.65	0	12:00
TRMB05018-S	JUNCTION	0.00	0.05	54.54	0	11:56
TRMB05019	JUNCTION	0.49	1.66	52.28	0	12:00
TRMB05019-S	JUNCTION	0.00	0.00	54.12	0	11:56
TRMB05020	JUNCTION	0.07	0.15	50.93	0	11:56
TRMB05020-S	JUNCTION	0.00	0.00	54.28	0	12:04
TRMB05021	JUNCTION	0.37	1.13	52.60	0	12:00
TRMB05021-S	JUNCTION	0.00	0.00	54.67	0	13:07
TRMB05022	JUNCTION	0.36	0.80	50.90	0	12:00
TRMB05022-S	JUNCTION	0.00	0.01	54.41	0	12:00
TRMB05023	JUNCTION	0.07	0.24	51.65	0	12:11

Alternative #1 (10-Year)

TRMB05023-S	JUNCTION	0.08	0.23	51.64	0	12:30
TRMB05025	JUNCTION	0.10	0.32	53.52	0	11:49
TRMB05025-S	JUNCTION	0.13	0.75	55.95	0	11:49
TRMB05026	JUNCTION	0.10	0.30	50.35	0	12:00
TRMB05026-S	JUNCTION	0.00	0.00	52.70	0	00:00
TRMB05027	JUNCTION	0.12	0.36	53.06	0	11:48
TRMB05027-S	JUNCTION	0.15	0.75	55.49	0	11:48
TRMB05028	JUNCTION	0.40	1.29	53.23	0	12:00
TRMB05028-S	JUNCTION	0.00	0.00	55.44	0	12:00
TRMB05029	JUNCTION	0.23	1.00	52.62	0	12:00
TRMB05029-S	JUNCTION	0.00	0.02	54.84	0	12:00
TRMB05030	JUNCTION	0.16	0.71	53.15	0	12:00
TRMB05030-S	JUNCTION	0.00	0.01	55.20	0	12:00
TRMB05031	JUNCTION	0.16	0.53	53.83	0	12:00
TRMB05031-S	JUNCTION	0.01	0.21	55.53	0	12:00
TRMB05032	JUNCTION	0.16	0.45	53.41	0	12:00
TRMB05032-S	JUNCTION	0.00	0.03	55.39	0	12:00
TRMB05033	JUNCTION	0.36	1.21	53.65	0	11:55
TRMB05033-S	JUNCTION	0.00	0.13	55.32	0	12:00
TRMB05034	JUNCTION	0.22	0.90	54.01	0	12:30
TRMB05034-S	JUNCTION	0.00	0.07	55.58	0	12:30
TRMB05035	JUNCTION	0.14	0.38	53.13	0	12:00
TRMB05035-S	JUNCTION	0.00	0.00	55.85	0	12:04
TRMB05036	JUNCTION	0.27	0.89	54.04	0	12:00
TRMB05036-S	JUNCTION	0.00	0.01	55.51	0	12:00
TRMB05037	JUNCTION	0.12	0.34	54.34	0	12:00
TRMB05037-S	JUNCTION	0.00	0.04	55.74	0	12:00
TRMB05038	JUNCTION	0.23	0.78	54.13	0	12:00
TRMB05038-S	JUNCTION	0.00	0.02	55.72	0	12:00
TRMB05039	JUNCTION	0.19	0.72	54.22	0	12:00
TRMB05039-S	JUNCTION	0.00	0.03	55.55	0	12:00
TRMB05040	JUNCTION	0.37	1.07	49.91	0	12:00
TRMB05040-S	JUNCTION	0.00	0.08	55.97	0	12:00
TRMB05041	JUNCTION	0.40	1.26	48.16	0	12:00
TRMB05041-S	JUNCTION	0.00	0.09	52.34	0	12:00
TRMB05042	JUNCTION	0.59	1.55	51.24	0	11:59
TRMB05042-S	JUNCTION	0.00	0.12	52.46	0	12:00
TRMB05043	JUNCTION	0.10	0.32	46.69	0	12:00
TRMB05043-S	JUNCTION	0.00	0.00	52.86	0	00:00
TRMB05044	JUNCTION	0.12	0.43	48.00	0	12:01
TRMB05044-S	JUNCTION	0.00	0.01	51.13	0	12:00
TRMB05045	JUNCTION	0.45	1.33	48.01	0	12:01
TRMB05045-S	JUNCTION	0.00	0.04	52.52	0	12:00
TRMB05046	JUNCTION	1.50	2.00	45.27	0	12:01
TRMB05046-S	JUNCTION	0.00	0.00	47.67	0	12:24
TRMB05048	JUNCTION	1.66	2.81	45.63	0	12:01
TRMB05048-S	JUNCTION	0.00	0.06	48.34	0	12:30
PCTB01066	OUTFALL	0.79	1.42	19.40	0	12:36
PCTB02009	OUTFALL	0.76	1.24	23.01	0	12:47
PCTB02081	OUTFALL	6.98	6.99	23.81	0	23:45
TRMB02001	OUTFALL	0.58	1.88	1.52	0	12:05
TRMB03012	OUTFALL	0.50	1.76	8.94	0	12:00
TRMB03066	OUTFALL	0.63	2.21	2.21	0	12:01
TRMB05001	OUTFALL	0.43	1.02	24.62	0	12:01

Node Inflow Summary

Alternative #1 (10-Year)

Total Inflow Volume Node gal	Flow Balance Error Percent	Type	Maximum Lateral Inflow CFS	Maximum Total Inflow CFS	Time of Max Occurrence days hr:min	Lateral Inflow Volume 10^6 gal	10^6
11.8	2.966			0.00	48.89 0 12:49	0	
3.44	-0.312	COUNTRYSIDE DITCH CULVERT IN		19.03	19.03 0 13:00	3.44	
6.31	1.069	JUNCTION	0.00	36.41	0 12:31	0	
1.47	0.060	JUNCTION	0.00	16.81	0 12:01	0	
3.44	0.133	JUNCTION	0.00	40.35	0 12:02	0	
0.00614	0.000	JUNCTION	0.00	0.99	0 12:00	0	
2.53	0.042	JUNCTION	0.00	43.48	0 12:01	0	
3.6	0.041	JUNCTION	0.00	58.05	0 12:00	0	
3.6	0.033	JUNCTION	0.00	58.02	0 12:01	0	
3.91	0.017	JUNCTION	0.00	62.60	0 12:00	0	
0.00168	14.915	JUNCTION	0.00	0.69	0 11:53	0	
6.57	-0.011	JUNCTION	0.00	32.88	0 12:30	0	
3.1	-0.930	JUNCTION	29.63	29.63	0 12:30	3.1	
6.96	0.018	JUNCTION	0.00	36.79	0 12:30	0	
0.46	0.000	JUNCTION	0.00	5.55	0 11:51	0	
7.03	0.103	JUNCTION	0.00	37.74	0 12:30	0	
0.0695	0.001	JUNCTION	0.00	1.03	0 11:52	0	
9.99	1.343	JUNCTION	0.00	46.24	0 12:31	0	
6.75	-0.623	JUNCTION	54.99	54.99	0 12:30	6.75	
1.76	-0.276	JUNCTION	0.00	8.64	0 12:30	0	
1.96	-0.582	JUNCTION	16.67	16.67	0 12:30	1.96	
2.32	0.045	JUNCTION	0.00	15.59	0 12:30	0	
0.22	-0.542	JUNCTION	0.00	8.21	0 12:30	0	
0.384	-0.449	JUNCTION	0.00	2.62	0 12:30	0	
0.354	-8.783	JUNCTION	2.86	2.86	0 12:30	0.354	
4.28	0.080	JUNCTION	0.00	24.23	0 12:30	0	

Alternative #1 (10-Year)

JMTB01105-S	JUNCTION	11.39	15.16	0	12:30	2.04
2.09 -1.719						
PCTB01068	JUNCTION	0.00	39.44	0	12:35	0
7.52 0.108						
PCTB01068_US	JUNCTION	0.00	32.75	0	12:35	0
7.29 0.037						
PCTB01068_US-S	JUNCTION	15.39	15.39	0	12:30	1.35
1.35 -3.931						
PCTB01068-S	JUNCTION	0.00	7.45	0	12:30	0
0.241 -0.227						
PCTB02001	JUNCTION	0.00	37.23	0	12:31	0
4.2 0.193						
PCTB02001-S	JUNCTION	7.57	7.57	0	12:30	0.99
0.99 -4.295						
PCTB02002	JUNCTION	0.00	29.98	0	12:31	0
3.17 0.038						
PCTB02002-S	JUNCTION	0.00	0.00	0	00:00	0
0 0.000 gal						
PCTB02003	JUNCTION	0.00	8.66	0	11:54	0
1.77 0.350						
PCTB02003-S	JUNCTION	0.00	22.89	0	12:30	0
2.06 -0.308						
PCTB02004	JUNCTION	0.00	13.14	0	12:30	0
3.15 0.348						
PCTB02004-S	JUNCTION	30.44	30.44	0	12:30	4.18
4.18 -0.609						
PCTB02005	JUNCTION	17.71	20.59	0	12:30	2.48
3.24 0.333						
PCTB02008	JUNCTION	0.00	30.55	0	12:44	0
4.81 0.543						
PCTB02011	JUNCTION	0.00	13.42	0	12:45	0
1.74 0.319						
PCTB02011-S	JUNCTION	0.00	2.09	0	12:24	0
0.118 -0.007						
PCTB02012	JUNCTION	0.00	11.50	0	12:43	0
2.87 0.540						
PCTB02012-S	JUNCTION	12.19	12.19	0	12:30	2.02
2.02 -1.765						
PCTB02014	JUNCTION	0.00	6.98	0	13:00	0
2.21 1.757						
PCTB02014-S	JUNCTION	0.00	4.92	0	13:00	0
0.000933 -33.887						
PCTB02015	JUNCTION	0.00	8.72	0	12:03	0
2.26 4.989						
PCTB02015-S	JUNCTION	0.00	0.00	0	00:00	0
0 0.000 gal						
PCTB02016	JUNCTION	0.00	5.12	0	14:56	0
0.863 0.537						
PCTB02016-S	JUNCTION	0.00	0.00	0	00:00	0
0 0.000 gal						
PCTB02017	JUNCTION	0.00	5.11	0	14:54	0
0.859 0.707						
PCTB02017-S	JUNCTION	0.00	0.00	0	00:00	0
0 0.000 gal						
PCTB02022	JUNCTION	0.00	7.35	0	12:30	0
1.27 0.067						
PCTB02022-S	JUNCTION	15.34	15.34	0	12:30	1.57
1.57 -2.473						
PCTB02023	JUNCTION	0.00	14.93	0	12:30	0
1.63 0.087						
PCTB02023-S	JUNCTION	0.00	7.94	0	12:30	0
0.34 -5.427						

Alternative #1 (10-Year)

PCTB02075	JUNCTION	0.00	396.73	0	00:05	0
22.8	0.772					
PCTB02076	JUNCTION	0.00	369.73	0	00:05	0
22.6	0.567					
PCTB02080	JUNCTION	0.00	677.43	0	00:04	0
91.6	0.565					
PCTB02159	JUNCTION	0.00	335.37	0	00:05	0
22.5	0.397					
PCTB02160	JUNCTION	0.00	301.15	0	00:06	0
22.4	0.766					
PCTB02189	JUNCTION	0.00	17.44	0	00:03	0
2.4	0.181					
PCTB02189-S	JUNCTION	69.77	69.77	0	12:30	5.53
5.53	-0.009					
PCTB02191	JUNCTION	0.00	48.81	0	12:31	0
24.7	0.028					
PCTB02191_DS	JUNCTION	0.00	380.44	0	00:02	0
88.7	0.463					
PCTB02191_DS-S	JUNCTION	0.00	64.63	0	12:31	0
10.1	0.056					
PCTB02191-S	JUNCTION	0.00	58.18	0	12:23	0
3.14	-0.017					
PCTB02207	JUNCTION	0.00	70.84	0	13:53	0
18.2	0.929					
PCTB02207-S	JUNCTION	0.00	0.00	0	00:00	0
0	0.000 gal					
PCTB02209	JUNCTION	0.00	70.72	0	13:48	0
18.1	0.866					
PCTB02209-S	JUNCTION	0.00	0.00	0	00:00	0
0	0.000 gal					
PCTB02220	JUNCTION	0.00	240.79	0	00:06	0
22.2	0.989					
PCTB02229	JUNCTION	0.00	244.80	0	00:06	0
22	0.533					
PCTB02229-S	JUNCTION	0.00	0.00	0	00:00	0
0	0.000 gal					
PCTB02231	JUNCTION	0.00	147.02	0	00:06	0
21.9	0.565					
PCTB02231-S	JUNCTION	0.00	0.00	0	00:00	0
0	0.000 gal					
PCTB02233	JUNCTION	0.00	0.00	0	00:00	0
0	0.000 gal					
PCTB02235	JUNCTION	0.00	106.00	0	00:08	0
21.7	0.428					
PCTB02235-S	JUNCTION	27.59	27.59	0	12:30	3.35
3.35	-0.856					
PCTB02237	JUNCTION	0.00	91.76	0	00:10	0
19.4	1.318					
PCTB02237-S	JUNCTION	0.00	9.15	0	11:55	0
0.894	-0.027					
PCTB02257	JUNCTION	0.00	56.48	0	13:16	0
13.4	0.153					
PCTB02257_1	JUNCTION	0.00	70.88	0	13:25	0
17.8	0.296					
PCTB02257_1-S	JUNCTION	8.25	8.25	0	12:30	1.09
1.09	-3.981					
PCTB02257-S	JUNCTION	0.00	13.25	0	13:00	0
1.81	-0.073					
PCTB02260	JUNCTION	0.00	70.82	0	13:26	0
17.8	0.235					
PCTB02260-S	JUNCTION	0.00	0.00	0	00:00	0
0	0.000 gal					

Alternative #1 (10-Year)

PCTB02262	JUNCTION	0.00	70.78	0	13:26	0
17.9	0.823					
PCTB02262-S	JUNCTION	0.00	0.00	0	00:00	0
0	0.000 gal					
PCTB02275	JUNCTION	0.00	11.46	0	12:35	0
3.36	0.543					
PCTB02275-S	JUNCTION	0.00	4.40	0	12:30	0
0.187	-5.368					
PCTB02276	JUNCTION	0.00	10.85	0	15:49	0
3.15	0.606					
PCTB02276-S	JUNCTION	0.00	0.00	0	00:00	0
0	0.000 gal					
PCTB02278	JUNCTION	0.00	18.90	0	15:37	0
3.22	3.214					
PCTB02278-S	JUNCTION	0.00	8.66	0	14:39	0
0.0656	-3.590					
PCTB02280	JUNCTION	0.00	18.94	0	12:32	0
10.1	0.013					
PCTB02280-S	JUNCTION	0.00	29.29	0	12:30	0
7.6	0.190					
PCTB02281	JUNCTION	0.00	9.66	0	12:00	0
3.45	0.041					
PCTB02281-S	JUNCTION	0.00	12.16	0	11:59	0
2.76	0.138					
PCTB02282	JUNCTION	0.00	6.66	0	12:30	0
2.96	0.037					
PCTB02282-S	JUNCTION	11.96	11.96	0	12:30	1
1	-0.029					
PCTB02283	JUNCTION	0.00	11.11	0	12:30	0
3.09	0.023					
PCTB02283-S	JUNCTION	0.00	4.50	0	12:30	0
0.128	-6.087					
PCTB02284	JUNCTION	0.00	3.14	0	00:13	0
0.00132	40.083					
PCTB02284-S	JUNCTION	0.00	0.00	0	00:00	0
0	0.000 gal					
PCTB02292	JUNCTION	0.00	255.36	0	00:13	0
44.3	1.554					
PCTB02292-S	JUNCTION	19.42	27.70	0	12:30	2.38
7.53	0.030					
PCTB02294	JUNCTION	0.00	279.20	0	00:11	0
51.2	0.996					
PCTB02294-S	JUNCTION	12.57	22.72	0	12:30	1.6
7.97	0.064					
PCTB02295	JUNCTION	0.00	283.07	0	00:11	0
59.1	0.148					
PCTB02295-S	JUNCTION	0.00	35.10	0	12:30	0
15.8	0.024					
PCTB02297	JUNCTION	0.00	5.45	0	12:30	0
0.985	0.307					
PCTB02297-S	JUNCTION	9.96	9.96	0	12:30	1.17
1.17	-0.108					
PCTB02302	JUNCTION	0.00	112.12	0	00:13	0
33.6	0.266					
PCTB02302-S	JUNCTION	0.00	7.44	0	16:39	0
0.692	2.262					
PCTB02303	JUNCTION	0.00	65.24	0	12:30	0
34.6	0.058					
PCTB02303-S	JUNCTION	20.43	20.43	0	12:30	2.61
2.61	-0.023					
PCTB02304	JUNCTION	0.00	73.89	0	12:32	0
37	0.027					

Alternative #1 (10-Year)

PCTB02304-S	JUNCTION	26.20	35.72	0	12:30	2.8
3.65 -0.504						
PCTB02312	JUNCTION	0.00	176.27	0	00:12	0
35.5 0.744						
PCTB02312-S	JUNCTION	0.00	7.95	0	12:56	0
0.11 12.459						
PCTB02329	JUNCTION	0.00	30.07	0	12:31	0
3.17 0.071						
PCTB02329-S	JUNCTION	0.00	2.32	0	12:30	0
0.0349 -0.650						
PCTB02330	JUNCTION	0.00	27.86	0	12:31	0
3.14 0.080						
PCTB02330-S	JUNCTION	0.00	6.81	0	12:30	0
0.168 0.001						
PCTB02331	JUNCTION	0.00	23.50	0	12:31	0
3.01 -0.009						
PCTB02331-S	JUNCTION	15.63	15.63	0	12:30	1.53
1.53 -1.738						
PCTB02332	JUNCTION	0.00	15.61	0	12:30	0
1.63 0.165						
PCTB02332-S	JUNCTION	0.00	0.74	0	12:30	0
0.00338 -0.020						
TRMB02002	JUNCTION	0.00	99.13	0	12:05	0
6.67 -0.004						
TRMB02002-S	JUNCTION	3.90	3.90	0	12:00	0.188
0.188 -30.260						
TRMB02003	JUNCTION	0.00	96.56	0	12:05	0
6.45 0.582						
TRMB02003-S	JUNCTION	0.00	9.95	0	12:00	0
0.129 -5.572						
TRMB02006	JUNCTION	0.00	89.73	0	12:04	0
6.32 0.042						
TRMB02006-S	JUNCTION	0.00	14.03	0	12:00	0
0.235 -2.287						
TRMB02009	JUNCTION	0.00	85.16	0	12:04	0
6.19 0.018						
TRMB02009-S	JUNCTION	19.40	19.40	0	12:00	0.829
0.829 -1.114						
TRMB02012	JUNCTION	0.00	80.62	0	12:04	0
5.6 0.036						
TRMB02012-S	JUNCTION	0.00	0.38	0	12:00	0
0.00652 -12.147						
TRMB02015	JUNCTION	0.00	8.66	0	11:56	0
0.235 0.010						
TRMB02015-S	JUNCTION	0.00	33.17	0	12:00	0
0.525 -0.917						
TRMB02016	JUNCTION	0.00	71.71	0	12:04	0
5.35 -0.012						
TRMB02016-S	JUNCTION	8.51	37.51	0	12:00	0.351
0.954 -4.514						
TRMB02018	JUNCTION	0.00	63.65	0	12:03	0
4.88 0.031						
TRMB02018-S	JUNCTION	6.86	36.49	0	12:02	0.298
0.964 -5.411						
TRMB02022	JUNCTION	0.00	10.38	0	12:03	0
0.626 0.047						
TRMB02022-S	JUNCTION	3.51	49.59	0	12:00	0.147
1.28 -1.418						
TRMB02023	JUNCTION	0.00	57.39	0	12:02	0
4.46 0.006						
TRMB02023-S	JUNCTION	8.21	8.66	0	12:00	0.346
0.348 -14.823						

Alternative #1 (10-Year)

TRMB02044	JUNCTION	0.00	26.86	0	12:01	0	
1.63 0.023							
TRMB02044_DS	JUNCTION	0.00	40.65	0	12:00	0	
3.44 0.134							
TRMB02044_DS-S	JUNCTION	53.94	53.94	0	12:00	2.39	
2.39 -0.993							
TRMB02044-S	JUNCTION	0.00	0.00	0	00:00	0	
0 0.000 gal							
TRMB02045	JUNCTION	0.00	26.86	0	12:01	0	
1.63 0.022							
TRMB02045-S	JUNCTION	0.00	0.00	0	00:00	0	
0 0.000 gal							
TRMB02046	JUNCTION	0.00	0.50	0	12:00	0	
0.0118 0.000							
TRMB02046-S	JUNCTION	0.00	0.50	0	12:00	0	
0.00453 -61.786							
TRMB02047	JUNCTION	0.00	3.69	0	12:00	0	
0.254 -0.451							
TRMB02047-S	JUNCTION	4.22	4.22	0	12:00	0.183	
0.183 -29.027							
TRMB02048	JUNCTION	0.00	4.08	0	12:00	0	
0.263 0.018							
TRMB02048-S	JUNCTION	0.00	0.39	0	12:00	0	
0.00353 -54.766							
TRMB02049	JUNCTION	0.00	33.98	0	12:00	0	
2.15 0.039							
TRMB02049-S	JUNCTION	4.00	4.00	0	12:00	0.178	
0.178 -32.488							
TRMB02050	JUNCTION	0.00	26.86	0	12:01	0	
1.63 0.041							
TRMB02050-S	JUNCTION	0.00	0.00	0	00:00	0	
0 0.000 gal							
TRMB02051	JUNCTION	0.00	26.88	0	12:01	0	
1.63 0.017							
TRMB02051-S	JUNCTION	3.34	3.34	0	12:00	0.142	
0.142 -42.673							
TRMB02052	JUNCTION	0.00	24.03	0	12:01	0	
1.39 0.032							
TRMB02052-S	JUNCTION	0.00	0.55	0	12:00	0	
0.00264 -65.849							
TRMB02056	JUNCTION	0.00	23.56	0	12:01	0	
1.38 0.020							
TRMB02056-S	JUNCTION	0.00	3.44	0	12:00	0	
0.029 -0.897							
TRMB02057	JUNCTION	0.00	20.60	0	12:00	0	
1.35 0.052							
TRMB02057-S	JUNCTION	0.00	8.29	0	12:00	0	
0.125 -12.689							
TRMB02060	JUNCTION	0.00	15.85	0	12:00	0	
1.23 -0.128							
TRMB02060-S	JUNCTION	13.12	13.12	0	12:00	0.561	
0.561 -9.969							
TRMB02063	JUNCTION	0.00	11.24	0	12:00	0	
0.737 0.038							
TRMB02063-S	JUNCTION	0.00	0.01	0	12:00	0	1.77e-
005 -13.208							
TRMB02064	JUNCTION	0.00	11.20	0	12:00	0	
0.737 0.043							
TRMB02064-S	JUNCTION	0.00	1.67	0	12:00	0	
0.014 -11.995							
TRMB02067	JUNCTION	0.00	9.56	0	12:00	0	
0.721 -0.004							

Alternative #1 (10-Year)

TRMB02067-S	JUNCTION	3.79	5.79	0	12:00	0.168	
0.193 -29.361							
TRMB02068	JUNCTION	0.00	5.57	0	12:00	0	
0.462 -0.112							
TRMB02068-S	JUNCTION	5.77	5.77	0	12:00	0.252	
0.252 -27.255							
TRMB02069	JUNCTION	0.00	1.89	0	12:00	0	
0.14 0.015							
TRMB02069-S	JUNCTION	0.00	0.01	0	11:59	0	
0.000114 -85.326							
TRMB02070	JUNCTION	0.00	1.83	0	12:00	0	
0.139 0.061							
TRMB02070-S	JUNCTION	1.85	1.85	0	12:00	0.0831	
0.0831 -40.256							
TRMB03016	JUNCTION	11.65	57.85	0	12:00	0.54	
3.37 0.016							
TRMB03016-S	JUNCTION	0.00	0.00	0	00:00	0	
0 0.000 gal							
TRMB03022	JUNCTION	0.00	46.84	0	12:02	0	
2.83 0.023							
TRMB03022-S	JUNCTION	0.00	0.58	0	12:00	0	
0.00676 -73.175							
TRMB03025	JUNCTION	0.00	45.77	0	12:02	0	
2.77 -0.014							
TRMB03025-S	JUNCTION	3.36	3.36	0	12:00	0.146	
0.146 -41.519							
TRMB03026	JUNCTION	0.00	0.96	0	12:00	0	
0.0416 0.022							
TRMB03027	JUNCTION	0.96	0.96	0	12:00	0.0416	
0.0416 0.022							
TRMB03028	JUNCTION	0.00	43.36	0	12:02	0	
2.52 0.038							
TRMB03028-S	JUNCTION	0.00	0.00	0	00:00	0	
0 0.000 gal							
TRMB03029	JUNCTION	0.00	43.46	0	12:01	0	
2.53 0.021							
TRMB03029-S	JUNCTION	0.00	0.00	0	00:00	0	
0 0.000 gal							
TRMB03030	JUNCTION	0.00	0.00	0	00:00	0	
0 0.000 gal							
TRMB03030-S	JUNCTION	0.00	0.00	0	00:00	0	
0 0.000 gal							
TRMB03031	JUNCTION	0.00	0.00	0	00:00	0	
0 0.000 gal							
TRMB03031-S	JUNCTION	3.93	3.97	0	12:00	0.182	
0.183 -28.875							
TRMB03032	JUNCTION	0.00	39.86	0	12:01	0	
2.27 0.092							
TRMB03032-S	JUNCTION	1.98	1.98	0	12:00	0.0981	
0.0981 -46.479							
TRMB03033	JUNCTION	0.00	0.66	0	12:00	0	
0.00491 1.134							
TRMB03033-S	JUNCTION	0.00	0.66	0	12:00	0	
0.00407 -13.031							
TRMB03034	JUNCTION	0.00	9.25	0	12:00	0	
0.466 -0.102							
TRMB03034-S	JUNCTION	0.00	5.09	0	12:00	0	
0.0652 -10.811							
TRMB03035-S	JUNCTION	0.00	0.00	0	12:00	0	1.43e-
007 0.143 gal							
TRMB03036	JUNCTION	0.00	38.12	0	12:00	0	
2.09 0.063							

Alternative #1 (10-Year)

TRMB03036-S	JUNCTION	0.00	1.00	0	12:00	0
0.00612 -0.414						
TRMB03037	JUNCTION	0.00	4.93	0	12:00	0
0.394 -0.439						
TRMB03037-S	JUNCTION	10.03	10.03	0	12:00	0.434
0.434 -5.451						
TRMB03038	JUNCTION	0.00	0.00	0	00:00	0
0 0.000 gal						
TRMB03038-S	JUNCTION	0.00	0.00	0	00:00	0
0 0.000 gal						
TRMB03039	JUNCTION	0.00	29.05	0	12:01	0
1.62 0.017						
TRMB03039-S	JUNCTION	0.00	4.92	0	12:00	0
0.0689 -3.621						
TRMB03042	JUNCTION	0.00	4.35	0	12:00	0
0.385 -0.221						
TRMB03042-S	JUNCTION	9.34	9.34	0	12:00	0.413
0.413 -8.941						
TRMB03043	JUNCTION	0.00	15.11	0	12:01	0
0.847 0.071						
TRMB03043-S	JUNCTION	0.00	0.29	0	12:00	0
0.00229 -4.698						
TRMB03044	JUNCTION	0.00	6.50	0	12:00	0
0.33 -0.805						
TRMB03044-S	JUNCTION	6.06	6.94	0	12:00	0.269
0.276 -16.546						
TRMB03049	JUNCTION	0.00	0.23	0	11:48	0
0.000697 0.082						
TRMB03049-S	JUNCTION	0.00	0.00	0	00:00	0
0 0.000 gal						
TRMB03051	JUNCTION	0.00	14.83	0	12:00	0
0.845 0.037						
TRMB03051-S	JUNCTION	0.00	0.85	0	12:00	0
0.00593 -20.673						
TRMB03052	JUNCTION	0.00	0.00	0	00:00	0
0 0.000 gal						
TRMB03052-S	JUNCTION	0.00	0.00	0	00:00	0
0 0.000 gal						
TRMB03054	JUNCTION	0.00	8.90	0	12:00	0
0.493 0.107						
TRMB03054-S	JUNCTION	0.00	5.07	0	12:00	0
0.0683 -12.706						
TRMB03055	JUNCTION	0.00	5.12	0	12:00	0
0.344 -0.188						
TRMB03055-S	JUNCTION	5.86	5.86	0	12:00	0.256
0.256 -26.662						
TRMB03063	JUNCTION	0.00	4.60	0	12:00	0
0.415 -0.174						
TRMB03063-S	JUNCTION	9.68	9.68	0	12:00	0.429
0.429 -11.200						
TRMB03065	JUNCTION	0.00	83.49	0	12:01	0
5.38 0.014						
TRMB03065-S	JUNCTION	0.00	1.90	0	12:00	0
0.0173 -15.452						
TRMB03067	JUNCTION	0.00	1.01	0	11:47	0
0.0822 1.316						
TRMB03067-S	JUNCTION	0.34	0.34	0	12:00	0.019
0.019 -76.920						
TRMB03068	JUNCTION	0.00	4.05	0	12:00	0
0.457 -1.371						
TRMB03068-S	JUNCTION	10.72	10.72	0	12:00	0.51
0.51 -10.013						

Alternative #1 (10-Year)

TRMB03069	JUNCTION	0.00	77.47	0	12:01	0
4.82 0.023						
TRMB03069-S	JUNCTION	0.00	6.66	0	12:00	0
0.111 -7.097						
TRMB03070	JUNCTION	0.00	1.07	0	11:52	0
0.00276 0.179						
TRMB03070-S	JUNCTION	0.00	1.50	0	12:00	0
0.0192 -34.765						
TRMB03072	JUNCTION	0.00	72.98	0	12:01	0
4.71 0.009						
TRMB03072-S	JUNCTION	0.00	0.44	0	12:30	0
0.00449 -0.107						
TRMB03073	JUNCTION	0.00	3.39	0	12:00	0
0.279 -0.790						
TRMB03073-S	JUNCTION	4.90	4.90	0	12:00	0.236
0.236 -20.714						
TRMB03083	JUNCTION	0.00	0.00	0	00:00	0
0 0.000 gal						
TRMB03083-S	JUNCTION	0.00	0.00	0	00:00	0
0 0.000 gal						
TRMB03084	JUNCTION	0.00	72.86	0	12:01	0
4.71 -0.032						
TRMB03084-S	JUNCTION	5.19	5.19	0	12:30	0.276
0.276 -12.634						
TRMB03087	JUNCTION	0.00	6.94	0	12:30	0
0.488 -0.052						
TRMB03087-S	JUNCTION	8.49	8.49	0	12:00	0.437
0.437 -10.603						
TRMB03088	JUNCTION	0.00	58.06	0	12:00	0
3.6 0.021						
TRMB03088-S	JUNCTION	0.00	0.00	0	00:00	0
0 0.000 gal						
TRMB03089	JUNCTION	0.00	58.07	0	12:00	0
3.6 0.011						
TRMB03089-S	JUNCTION	0.00	0.00	0	00:00	0
0 0.000 gal						
TRMB03090	JUNCTION	0.00	58.06	0	12:00	0
3.6 0.055						
TRMB03090-S	JUNCTION	0.00	23.94	0	12:00	0
0.257 -3.913						
TRMB03091	JUNCTION	0.00	45.77	0	12:00	0
3.08 0.006						
TRMB03091-S	JUNCTION	2.70	27.29	0	12:00	0.136
0.414 -18.234						
TRMB03092	JUNCTION	0.00	3.67	0	12:00	0
0.312 -0.839						
TRMB03092-S	JUNCTION	6.08	6.08	0	12:00	0.288
0.288 -16.582						
TRMB03094	JUNCTION	0.00	40.28	0	12:00	0
2.8 0.009						
TRMB03094-S	JUNCTION	0.10	37.18	0	12:00	0.00411
0.52 -4.218						
TRMB03095	JUNCTION	0.00	6.20	0	12:00	0
0.114 0.197						
TRMB03095-S	JUNCTION	0.01	7.27	0	11:52	0.00053
0.102 -10.004						
TRMB03096	JUNCTION	0.00	23.38	0	12:00	0
2.01 0.040						
TRMB03096-S	JUNCTION	0.00	31.77	0	12:00	0
0.468 -1.190						
TRMB03097	JUNCTION	0.00	4.54	0	12:00	0
0.509 -0.575						

Alternative #1 (10-Year)

TRMB03097-S	JUNCTION	15.35	15.35	0	12:00	0.647	
0.647 -4.319							
TRMB03101	JUNCTION	0.00	0.51	0	12:58	0	
0.0465 1.648							
TRMB03101-S	JUNCTION	0.11	0.11	0	12:30	0.00575	
0.00575 -87.648							
TRMB03102	JUNCTION	0.00	18.01	0	12:00	0	
1.84 0.053							
TRMB03102-S	JUNCTION	1.78	37.91	0	12:00	0.0889	
0.706 -7.870							
TRMB03103	JUNCTION	0.00	11.92	0	12:00	0	
1.54 -0.024							
TRMB03103-S	JUNCTION	11.83	42.00	0	12:00	0.526	
1.14 -2.776							
TRMB03111	JUNCTION	0.00	6.11	0	12:00	0	
0.984 -0.010							
TRMB03111-S	JUNCTION	36.32	36.32	0	12:00	1.58	
1.58 -1.058							
TRMB04089	JUNCTION	0.00	8.42	0	12:30	0	
2.28 0.051							
TRMB04089-S	JUNCTION	121.10	121.10	0	12:30	7.49	
7.49 -0.073							
TRMB04265-S	JUNCTION	1.52	1.52	0	12:00	0.0712	
0.0712 0.000							
TRMB05002	JUNCTION	0.00	100.08	0	12:01	0	
10.5 0.008							
TRMB05002-S	JUNCTION	0.00	0.00	0	11:36	0	2.29e-
006 -98.062							
TRMB05003	JUNCTION	0.00	100.14	0	12:01	0	
10.5 0.049							
TRMB05003-S	JUNCTION	0.00	0.08	0	12:00	0	
0.000887 -83.943							
TRMB05004	JUNCTION	0.00	1.26	0	11:50	0	
0.0997 1.815							
TRMB05004-S	JUNCTION	0.48	0.48	0	12:00	0.0233	
0.0233 -76.199							
TRMB05005	JUNCTION	0.00	2.16	0	12:00	0	
0.204 0.351							
TRMB05005-S	JUNCTION	2.24	2.24	0	12:00	0.105	
0.105 -46.762							
TRMB05006	JUNCTION	0.00	97.85	0	12:00	0	
10.2 0.053							
TRMB05006-S	JUNCTION	0.00	0.01	0	11:46	0	6.7e-
005 -98.039							
TRMB05008	JUNCTION	0.00	18.69	0	12:01	0	
1.66 0.039							
TRMB05008-S	JUNCTION	2.12	2.12	0	12:00	0.0981	
0.0981 -48.142							
TRMB05009	JUNCTION	0.00	71.30	0	12:00	0	
7.84 0.033							
TRMB05009_DS	JUNCTION	0.00	75.64	0	12:00	0	
8.22 0.040							
TRMB05009_DS-S	JUNCTION	0.85	0.99	0	12:00	0.0382	
0.0418 -73.586							
TRMB05009-S	JUNCTION	0.00	3.89	0	12:34	0	
0.11 -0.419							
TRMB05010	JUNCTION	0.00	4.23	0	12:00	0	
0.342 -0.014							
TRMB05010-S	JUNCTION	2.64	2.64	0	12:00	0.127	
0.127 -41.577							
TRMB05011	JUNCTION	0.00	1.60	0	12:00	0	
0.125 0.011							

Alternative #1 (10-Year)

TRMB05011-S	JUNCTION	0.00	0.00	0	00:00	0	
0 0.000 gal							
TRMB05012	JUNCTION	0.00	1.61	0	12:00	0	
0.125 -0.009							
TRMB05012-S	JUNCTION	1.61	1.61	0	12:00	0.0733	
0.0733 -41.473							
TRMB05013	JUNCTION	0.00	1.54	0	12:00	0	
0.134 0.431							
TRMB05013-S	JUNCTION	1.11	1.54	0	12:00	0.0476	
0.0566 -57.704							
TRMB05014	JUNCTION	0.00	2.85	0	12:00	0	
0.2 0.256							
TRMB05014-S	JUNCTION	2.39	2.86	0	12:00	0.11	
0.119 -40.534							
TRMB05015	JUNCTION	0.00	64.60	0	12:00	0	
7.42 0.050							
TRMB05015-S	JUNCTION	0.03	13.57	0	11:55	0.00142	
0.541 -3.203							
TRMB05016	JUNCTION	0.00	17.65	0	12:00	0	
1.2 0.016							
TRMB05016-S	JUNCTION	0.00	2.80	0	11:56	0	
0.078 -2.051							
TRMB05017	JUNCTION	0.00	40.43	0	12:34	0	
5.77 0.060							
TRMB05017_US	JUNCTION	0.00	17.06	0	12:30	0	
3.75 0.089							
TRMB05017_US-S	JUNCTION	2.72	114.39	0	12:30	0.119	
5.33 -0.163							
TRMB05017-S	JUNCTION	0.00	77.63	0	12:34	0	
3.59 -0.024							
TRMB05018	JUNCTION	0.00	3.60	0	12:00	0	
0.144 0.037							
TRMB05018-S	JUNCTION	0.00	2.40	0	11:55	0	
0.0674 -1.733							
TRMB05019	JUNCTION	0.00	14.93	0	12:00	0	
1.09 0.043							
TRMB05019-S	JUNCTION	0.00	0.15	0	11:55	0	
0.0028 -19.348							
TRMB05020	JUNCTION	0.00	0.49	0	11:56	0	
0.0365 1.436							
TRMB05020-S	JUNCTION	0.10	0.20	0	11:56	0.00396	
0.00578 -84.138							
TRMB05021	JUNCTION	0.00	14.86	0	12:00	0	
1.09 0.027							
TRMB05021-S	JUNCTION	0.00	0.01	0	11:45	0	3.95e-
005 -94.811							
TRMB05022	JUNCTION	0.00	1.33	0	12:00	0	
0.0776 0.664							
TRMB05022-S	JUNCTION	0.97	1.04	0	12:00	0.0445	
0.0458 -19.200							
TRMB05023	JUNCTION	0.00	4.24	0	12:46	0	
0.0195 -14.867							
TRMB05023-S	JUNCTION	0.43	3.21	0	12:52	0.0185	
0.0205 5.184							
TRMB05025	JUNCTION	0.00	8.66	0	11:49	0	
0.633 0.099							
TRMB05025-S	JUNCTION	0.57	26.36	0	12:00	0.0274	
1.05 -4.544							
TRMB05026	JUNCTION	0.00	3.42	0	12:00	0	
0.226 -0.026							
TRMB05026-S	JUNCTION	0.00	0.00	0	00:00	0	
0 0.000 gal							

Alternative #1 (10-Year)

TRMB05027	JUNCTION	0.00	8.66	0	11:48	0
0.746 0.075						
TRMB05027-S	JUNCTION	0.56	33.48	0	12:00	0.0244
1.4 -3.381						
TRMB05028	JUNCTION	0.00	13.51	0	12:00	0
0.972 0.065						
TRMB05028-S	JUNCTION	0.11	0.43	0	12:00	0.00443
0.00636 -87.550						
TRMB05029	JUNCTION	0.00	1.36	0	12:00	0
0.117 -0.160						
TRMB05029-S	JUNCTION	1.36	1.36	0	12:00	0.0647
0.0647 -44.778						
TRMB05030	JUNCTION	0.00	4.40	0	12:00	0
0.32 0.212						
TRMB05030-S	JUNCTION	0.45	0.81	0	12:00	0.0221
0.0249 -72.020						
TRMB05031	JUNCTION	0.00	4.62	0	12:00	0
0.281 -0.396						
TRMB05031-S	JUNCTION	4.97	4.97	0	12:00	0.232
0.232 -17.881						
TRMB05032	JUNCTION	0.00	4.09	0	12:00	0
0.319 0.156						
TRMB05032-S	JUNCTION	1.63	1.73	0	12:00	0.0713
0.0733 -51.925						
TRMB05033	JUNCTION	0.00	3.60	0	12:00	0
0.235 1.623						
TRMB05033-S	JUNCTION	3.96	3.96	0	12:00	0.18
0.18 -24.504						
TRMB05034	JUNCTION	0.00	2.69	0	12:30	0
0.165 -1.298						
TRMB05034-S	JUNCTION	2.84	2.84	0	12:30	0.143
0.143 -14.062						
TRMB05035	JUNCTION	0.00	6.34	0	12:00	0
0.574 0.085						
TRMB05035-S	JUNCTION	0.07	0.18	0	11:59	0.0028
0.00403 -89.336						
TRMB05036	JUNCTION	0.00	2.87	0	12:00	0
0.256 0.384						
TRMB05036-S	JUNCTION	0.71	0.76	0	12:00	0.0314
0.0318 -69.847						
TRMB05037	JUNCTION	0.00	2.12	0	12:00	0
0.15 -0.267						
TRMB05037-S	JUNCTION	2.16	2.16	0	12:00	0.0997
0.0997 -33.831						
TRMB05038	JUNCTION	0.00	3.31	0	12:00	0
0.281 0.123						
TRMB05038-S	JUNCTION	1.57	1.57	0	12:00	0.0688
0.0688 -52.888						
TRMB05039	JUNCTION	0.00	1.76	0	12:00	0
0.134 -0.548						
TRMB05039-S	JUNCTION	1.75	1.76	0	12:00	0.0808
0.081 -39.733						
TRMB05040	JUNCTION	0.00	9.15	0	12:00	0
0.809 -0.080						
TRMB05040-S	JUNCTION	3.38	3.38	0	12:00	0.156
0.156 -35.396						
TRMB05041	JUNCTION	0.00	12.04	0	12:00	0
1.03 0.067						
TRMB05041-S	JUNCTION	2.51	3.00	0	12:00	0.117
0.122 -45.163						
TRMB05042	JUNCTION	0.00	3.42	0	12:00	0
0.224 -0.765						

Alternative #1 (10-Year)

TRMB05042-S	JUNCTION	3.43	3.43	0	12:00	0.153
0.153 -31.637						
TRMB05043	JUNCTION	0.00	3.42	0	12:00	0
0.226 0.028						
TRMB05043-S	JUNCTION	0.00	0.00	0	00:00	0
0 0.000 gal						
TRMB05044	JUNCTION	0.00	1.04	0	11:39	0
0.0965 0.625						
TRMB05044-S	JUNCTION	0.82	0.86	0	12:00	0.0366
0.0372 -61.394						
TRMB05045	JUNCTION	0.00	14.85	0	12:00	0
1.28 0.138						
TRMB05045-S	JUNCTION	2.17	2.17	0	12:00	0.104
0.104 -33.592						
TRMB05046	JUNCTION	0.00	14.86	0	12:01	0
1.29 0.026						
TRMB05046-S	JUNCTION	0.00	0.21	0	12:30	0
0.00278 -63.949						
TRMB05048	JUNCTION	0.00	16.79	0	12:01	0
1.47 -0.121						
TRMB05048-S	JUNCTION	2.69	2.69	0	12:30	0.14
0.14 -22.986						
PCTB01066	OUTFALL	0.00	39.42	0	12:36	0
7.52 0.000						
PCTB02009	OUTFALL	77.26	103.52	0	12:30	11.2
15 0.000						
PCTB02081	OUTFALL	0.00	677.43	0	00:04	0
71.1 0.000						
TRMB02001	OUTFALL	0.00	99.10	0	12:05	0
6.67 0.000						
TRMB03012	OUTFALL	0.00	57.63	0	12:00	0
3.37 0.000						
TRMB03066	OUTFALL	0.00	83.44	0	12:01	0
5.38 0.000						
TRMB05001	OUTFALL	0.00	100.04	0	12:01	0
10.5 0.000						

 Node Surcharge Summary

Surcharging occurs when water rises above the top of the highest conduit.

Node	Type	Hours Surcharged	Max. Height Above Crown Feet	Min. Depth Below Rim Feet
J4	JUNCTION	11.77	0.000	0.000
JMTB01003-S	JUNCTION	2.19	0.000	0.000
JMTB01006-S	JUNCTION	9.47	0.000	0.000
JMTB01102	JUNCTION	0.75	0.301	0.169
JMTB01103	JUNCTION	0.54	0.173	0.727
JMTB01104	JUNCTION	4.83	1.017	0.843
JMTB01105-S	JUNCTION	2.89	0.000	0.000
PCTB02003-S	JUNCTION	3.00	0.000	0.000
PCTB02012-S	JUNCTION	1.29	0.000	0.000
PCTB02189	JUNCTION	23.69	1.690	0.000
PCTB02189-S	JUNCTION	0.15	0.000	0.000
PCTB02191	JUNCTION	23.70	2.090	0.000
PCTB02191_DS-S	JUNCTION	23.63	0.000	0.000
PCTB02231	JUNCTION	3.11	0.081	0.619

Alternative #1 (10-Year)

PCTB02235-S	JUNCTION	1.63	0.000	0.000
PCTB02237	JUNCTION	6.45	0.430	1.120
PCTB02257-S	JUNCTION	3.14	0.000	0.000
PCTB02278-S	JUNCTION	0.84	0.000	0.000
PCTB02280	JUNCTION	23.57	2.440	0.000
PCTB02280-S	JUNCTION	4.14	0.000	0.000
PCTB02281	JUNCTION	23.56	2.360	0.000
PCTB02282	JUNCTION	23.54	2.320	1.820
PCTB02283	JUNCTION	23.53	1.700	0.000
PCTB02284	JUNCTION	23.53	1.670	0.000
PCTB02295-S	JUNCTION	23.61	0.000	0.000
PCTB02297	JUNCTION	23.50	1.650	0.000
PCTB02303	JUNCTION	23.47	2.120	0.000
PCTB02304	JUNCTION	23.46	0.230	0.000
PCTB02304-S	JUNCTION	5.13	0.000	0.000
TRMB02003	JUNCTION	2.57	1.875	4.325
TRMB02015-S	JUNCTION	0.71	0.000	0.000
TRMB02046	JUNCTION	23.75	0.019	3.581
TRMB03016-S	JUNCTION	23.75	0.000	0.000
TRMB03037	JUNCTION	0.88	0.987	0.933
TRMB03083	JUNCTION	23.75	0.000	8.840
TRMB03090	JUNCTION	0.75	0.781	2.799
TRMB03090-S	JUNCTION	0.57	0.000	0.000
TRMB04265-S	JUNCTION	23.75	0.000	0.000
TRMB05004	JUNCTION	0.07	0.046	3.444
TRMB05017_US-S	JUNCTION	0.66	0.000	0.000
TRMB05025-S	JUNCTION	1.36	0.000	0.000
TRMB05027-S	JUNCTION	1.79	0.000	0.000
TRMB05042	JUNCTION	0.21	0.301	1.099

 Node Flooding Summary

Flooding refers to all water that overflows a node, whether it ponds or not.

Node	Hours Flooded	Maximum Rate CFS	Time of Max Occurrence days hr:min	Total Flood Volume 10^6 gal	Maximum Ponded Depth Feet
J4	0.58	0.99	0 12:00	0.004	0.000
JMTB01003-S	2.18	16.01	0 12:30	0.381	0.000
JMTB01006-S	9.45	46.32	0 12:30	3.826	0.000
JMTB01105-S	2.88	6.50	0 12:30	0.161	0.000
PCTB02003-S	3.00	14.23	0 12:30	0.395	0.000
PCTB02012-S	1.29	1.48	0 12:30	0.024	0.000
PCTB02189	0.01	15.48	0 00:03	0.001	0.000
PCTB02189-S	0.14	2.91	0 12:30	0.006	0.000
PCTB02191	23.63	48.81	0 12:31	24.655	0.000
PCTB02191_DS-S	23.63	64.63	0 12:31	10.079	0.000
PCTB02235-S	1.62	11.45	0 12:30	0.200	0.000
PCTB02257-S	3.13	4.59	0 13:00	0.229	0.000
PCTB02278-S	0.50	4.33	0 15:04	0.058	0.000
PCTB02280	23.50	18.94	0 12:32	10.086	0.000
PCTB02280-S	4.12	17.39	0 12:30	0.621	0.000
PCTB02281	12.51	4.42	0 12:00	0.910	0.000
PCTB02283	23.49	11.10	0 12:30	3.091	0.000
PCTB02284	0.01	2.66	0 00:13	0.000	0.000
PCTB02295-S	23.61	35.10	0 12:30	15.734	0.000
PCTB02297	6.92	3.33	0 12:30	0.289	0.000

Alternative #1 (10-Year)

PCTB02303	0.01	21.73	0	00:14	0.000	0.000
PCTB02304	23.44	73.89	0	12:32	36.938	0.000
PCTB02304-S	5.12	27.05	0	12:30	1.253	0.000
TRMB02015-S	0.71	24.50	0	12:00	0.294	0.000
TRMB03090-S	0.56	15.28	0	12:00	0.060	0.000
TRMB04265-S	23.72	1.52	0	12:00	0.071	0.000
TRMB05017_US-S	0.66	28.10	0	12:30	0.284	0.000
TRMB05025-S	1.36	17.70	0	12:00	0.466	0.000
TRMB05027-S	1.78	24.82	0	12:00	0.708	0.000

 Outfall Loading Summary

Outfall Node	Flow Freq Pcnt	Avg Flow CFS	Max Flow CFS	Total Volume 10^6 gal
PCTB01066	99.79	15.01	39.42	7.517
PCTB02009	99.92	33.60	103.52	15.024
PCTB02081	100.00	102.87	677.43	71.129
TRMB02001	99.97	13.47	99.10	6.667
TRMB03012	99.85	6.51	57.63	3.373
TRMB03066	99.95	10.72	83.44	5.376
TRMB05001	99.91	21.40	100.04	10.502
System	99.91	203.58	677.50	119.587

 Link Flow Summary

Link	Type	Maximum Flow CFS	Time of Max Occurrence days hr:min	Maximum Veloc ft/sec	Max/ Full Flow	Max/ Full Depth
C1	CONDUIT	335.37	0 00:05	7.97	0.15	0.85
C14	CONDUIT	29.98	0 12:31	3.91	0.46	0.90
C2	CONDUIT	25.40	0 12:40	8.63	1.07	0.91
C2_1	CONDUIT	34.03	0 13:25	6.93	0.40	1.00
C2_1-S	CHANNEL	52.04	0 12:25	4.13	0.19	0.75
C2_2	CONDUIT	380.44	0 00:02	4.32	0.43	0.89
C3	CHANNEL	1.65	0 12:30	0.19	0.01	0.59
C4	CONDUIT	16.83	0 12:01	6.12	1.09	0.55
C5	CONDUIT	4.07	0 12:00	7.08	0.30	0.69
C9	CONDUIT	3.42	0 12:00	4.22	0.14	0.63
C9-S	CHANNEL	0.00	0 00:00	0.00	0.00	0.01
CountrySideE_Ditch	CONDUIT	43.12	0 12:49	2.03	0.71	0.98
CountrySideE_Ditch_Culvert	CONDUIT	47.82	0 13:16	3.80	0.51	0.82
CountrySideE_Ditch_Culvert-S	CHANNEL	13.25	0 13:00	2.68	0.13	0.72
JMTB01003	CONDUIT	32.81	0 12:30	4.97	1.17	0.90
JMTB01003-S	CHANNEL	5.55	0 11:51	0.61	0.02	0.61
JMTB01004	CONDUIT	36.77	0 12:30	4.01	1.14	1.00
JMTB01004-S	CHANNEL	1.03	0 11:52	2.81	0.01	0.11
JMTB01005	CONDUIT	37.58	0 12:31	3.09	0.88	0.92
JMTB01005-S	CHANNEL	0.00	0 12:20	0.00	0.00	0.51
JMTB01102	CONDUIT	8.66	0 12:30	3.37	0.42	1.00

Alternative #1 (10-Year)

JMTB01102-S	CHANNEL	7.97	0	12:30	0.84	0.04	0.62
JMTB01103	CONDUIT	15.57	0	12:30	3.92	1.03	1.00
JMTB01103_1	CONDUIT	24.22	0	12:30	4.88	0.84	0.83
JMTB01103-S	CHANNEL	3.82	0	12:30	0.64	0.03	0.62
JMTB01104	CONDUIT	2.63	0	12:30	2.14	0.41	1.00
JMTB01104-S	CHANNEL	0.24	0	12:30	0.91	0.00	0.17
PCTB01068	CONDUIT	39.42	0	12:36	4.97	0.66	0.55
PCTB01068_US	CONDUIT	32.75	0	12:36	3.85	0.52	0.60
PCTB01068_US-S	CHANNEL	7.45	0	12:30	0.95	0.33	0.67
PCTB02001_1	CONDUIT	36.41	0	12:31	1.03	0.19	0.89
PCTB02001_2	CONDUIT	6.41	0	15:30	0.19	0.03	0.96
PCTB02002	CONDUIT	29.89	0	12:31	3.49	0.69	0.90
PCTB02002-S	CHANNEL	0.00	0	00:00	0.00	0.00	0.36
PCTB02003	CONDUIT	5.59	0	12:32	3.51	0.54	0.68
PCTB02003-S	CHANNEL	22.89	0	12:30	2.38	0.31	0.89
PCTB02008	CONDUIT	30.34	0	12:47	4.11	0.68	0.52
PCTB02011	CONDUIT	11.38	0	12:45	4.21	0.09	0.45
PCTB02011_1	CONDUIT	13.40	0	12:45	0.84	0.10	0.51
PCTB02011-S	CHANNEL	2.09	0	12:24	0.28	0.01	0.53
PCTB02014	CONDUIT	5.95	0	15:30	2.82	0.09	0.91
PCTB02014_1	CONDUIT	6.60	0	12:03	1.37	0.05	0.69
PCTB02014-S	CHANNEL	0.00	0	00:00	0.00	0.00	0.23
PCTB02016	CONDUIT	5.12	0	14:56	3.43	0.65	0.81
PCTB02016-S	CHANNEL	0.00	0	00:00	0.00	0.00	0.00
PCTB02020	CONDUIT	5.13	0	14:56	0.54	0.16	0.91
PCTB02021	CONDUIT	5.11	0	14:54	0.68	0.99	1.00
PCTB02022	CONDUIT	7.33	0	12:30	1.26	0.49	0.96
PCTB02022-S	CHANNEL	7.94	0	12:30	2.23	0.16	0.74
PCTB02023	CONDUIT	14.89	0	12:31	1.94	0.88	0.96
PCTB02023-S	CHANNEL	0.00	0	12:30	0.00	0.00	0.39
PCTB02076	CONDUIT	369.73	0	00:05	6.92	0.15	0.91
PCTB02080	CONDUIT	677.43	0	00:04	12.70	30.88	1.00
PCTB02160	CONDUIT	301.15	0	00:06	9.60	0.66	0.83
PCTB02172	CONDUIT	396.73	0	00:05	5.88	0.10	0.97
PCTB02189	CONDUIT	17.44	0	00:03	3.89	0.60	1.00
PCTB02189-S	CHANNEL	58.18	0	12:23	4.61	0.73	0.75
PCTB02208	CONDUIT	70.84	0	13:53	5.78	0.82	0.94
PCTB02208-S	CHANNEL	0.00	0	00:00	0.00	0.00	0.00
PCTB02231	CONDUIT	147.02	0	00:06	6.32	2.12	1.00
PCTB02231-S	CHANNEL	0.00	0	00:00	0.00	0.00	0.00
PCTB02237	CONDUIT	91.76	0	00:10	6.16	0.82	1.00
PCTB02237-S	CHANNEL	9.15	0	11:55	1.02	0.15	0.88
PCTB02239	CONDUIT	0.00	0	00:00	0.00	0.00	0.50
PCTB02240	CONDUIT	70.94	0	13:54	2.12	0.11	0.98
PCTB02259_1	CONDUIT	56.45	0	13:16	0.60	0.29	0.87
PCTB02259_2	CONDUIT	70.82	0	13:26	1.20	0.17	0.87
PCTB02260	CONDUIT	70.78	0	13:26	3.60	0.75	0.87
PCTB02260-S	CHANNEL	0.00	0	00:00	0.00	0.00	0.00
PCTB02264	CONDUIT	70.72	0	13:48	1.52	0.08	0.90
PCTB02274	CONDUIT	20.14	0	12:30	2.61	0.04	0.33
PCTB02275	CONDUIT	11.45	0	15:48	2.52	0.22	0.98
PCTB02275-S	CHANNEL	4.40	0	12:30	4.84	0.01	0.21
PCTB02276	CONDUIT	10.87	0	15:48	2.00	1.15	0.97
PCTB02276-S	CHANNEL	0.00	0	00:00	0.00	0.00	0.11
PCTB02278	CONDUIT	10.85	0	15:49	3.45	0.82	1.00
PCTB02278-S	CHANNEL	0.00	0	00:00	0.00	0.00	0.50
PCTB02279	CONDUIT	12.59	0	12:23	0.92	0.02	0.55
PCTB02280	CONDUIT	5.25	0	00:23	4.28	1.05	1.00
PCTB02280-S	CHANNEL	27.65	0	12:30	2.78	0.37	0.83
PCTB02281	CONDUIT	5.24	0	12:50	4.27	0.77	1.00
PCTB02281-S	CHANNEL	10.28	0	11:59	1.02	0.08	0.88
PCTB02282	CONDUIT	4.08	0	00:22	3.33	0.64	1.00

Alternative #1 (10-Year)

PCTB02282-S	CHANNEL	2.01	0	12:30	0.49	0.01	0.39
PCTB02283	CONDUIT	6.66	0	12:28	5.43	1.56	1.00
PCTB02283-S	CHANNEL	4.50	0	12:30	5.57	0.01	0.23
PCTB02284	CONDUIT	3.14	0	00:13	2.71	0.73	1.00
PCTB02284-S	CHANNEL	0.00	0	00:00	0.00	0.00	0.13
PCTB02292	CONDUIT	255.26	0	00:13	3.92	0.41	0.79
PCTB02294	CONDUIT	273.67	0	00:11	14.25	1.16	1.00
PCTB02294-S	CHANNEL	22.71	0	12:30	1.87	0.16	0.77
PCTB02295	CONDUIT	283.07	0	00:11	3.83	0.40	0.66
PCTB02297	CONDUIT	2.51	0	00:14	2.09	0.77	1.00
PCTB02297-S	CHANNEL	4.27	0	12:30	0.51	0.09	0.57
PCTB02299	CONDUIT	240.79	0	00:06	5.25	0.10	0.62
PCTB02300	CONDUIT	244.80	0	00:06	4.39	0.07	0.57
PCTB02301	CONDUIT	105.87	0	00:08	5.23	0.40	0.94
PCTB02302	CONDUIT	101.70	0	00:13	2.92	0.21	0.92
PCTB02303	CONDUIT	63.00	0	00:25	5.28	0.41	1.00
PCTB02303-S	CHANNEL	6.67	0	12:30	1.81	0.02	0.40
PCTB02304	CONDUIT	65.23	0	12:32	3.76	0.26	1.00
PCTB02304-S	CHANNEL	9.53	0	12:30	1.52	0.02	0.62
PCTB02312	CONDUIT	162.80	0	00:12	3.48	0.24	0.94
PCTB02329	CONDUIT	27.80	0	12:32	2.52	1.16	0.93
PCTB02329-S	CHANNEL	2.32	0	12:30	2.98	0.02	0.17
PCTB02330	CONDUIT	23.41	0	12:31	2.05	0.86	0.96
PCTB02330-S	CHANNEL	6.81	0	12:30	0.84	0.06	0.56
PCTB02331	CONDUIT	15.52	0	12:31	1.35	0.97	0.96
PCTB02331-S	CHANNEL	0.74	0	12:30	0.14	0.01	0.43
TRMB02002	CONDUIT	99.10	0	12:05	16.47	0.45	0.48
TRMB02003	CONDUIT	96.57	0	12:05	5.97	0.20	0.78
TRMB02003-S	CHANNEL	1.11	0	12:00	4.52	0.00	0.36
TRMB02006	CONDUIT	89.71	0	12:05	5.98	0.43	0.73
TRMB02006-S	CHANNEL	8.86	0	12:00	4.04	0.06	0.46
TRMB02009	CONDUIT	85.15	0	12:05	11.81	0.26	0.40
TRMB02009-S	CHANNEL	14.03	0	12:00	5.84	0.05	0.32
TRMB02012	CONDUIT	80.59	0	12:04	9.53	0.44	0.45
TRMB02012-S	CHANNEL	0.38	0	12:00	0.53	0.03	0.16
TRMB02015	CONDUIT	8.66	0	12:05	1.79	0.05	0.36
TRMB02015-S	CHANNEL	0.00	0	12:00	0.00	0.00	0.50
TRMB02016	CONDUIT	71.70	0	12:04	9.18	0.19	0.43
TRMB02016-S	CHANNEL	33.17	0	12:00	2.52	0.43	0.96
TRMB02018	CONDUIT	63.57	0	12:04	7.77	0.52	0.44
TRMB02018-S	CHANNEL	30.15	0	12:03	2.84	0.22	0.72
TRMB02022	CONDUIT	57.35	0	12:03	5.60	0.44	0.53
TRMB02022-S	CHANNEL	31.25	0	12:04	2.41	1.06	0.76
TRMB02023	CONDUIT	10.38	0	12:04	4.17	0.18	0.41
TRMB02023-S	CHANNEL	1.55	0	11:56	1.01	0.55	0.60
TRMB02044_1-S	CHANNEL	0.00	0	00:00	0.00	0.00	0.31
TRMB02044_2	CONDUIT	26.85	0	12:02	6.74	0.35	0.43
TRMB02044_2-S	CHANNEL	46.16	0	12:00	3.22	0.33	0.81
TRMB02044_3	CONDUIT	40.35	0	12:02	4.27	1.76	0.95
TRMB02044_4	CONDUIT	40.32	0	12:02	5.75	26.18	0.68
TRMB02044_5	CONDUIT	33.86	0	12:01	4.55	0.43	0.73
TRMB02045	CONDUIT	26.86	0	12:01	6.30	0.46	0.46
TRMB02045-S	CHANNEL	0.00	0	00:00	0.00	0.00	0.00
TRMB02046-S	CHANNEL	0.00	0	00:00	0.00	0.00	0.01
TRMB02047-S	CHANNEL	0.50	0	12:00	2.06	0.01	0.09
TRMB02048	CONDUIT	3.69	0	12:00	6.14	0.34	0.37
TRMB02048-S	CHANNEL	0.00	0	12:00	0.00	0.00	0.09
TRMB02049-S	CHANNEL	0.39	0	12:00	1.82	0.01	0.09
TRMB02050	CONDUIT	26.86	0	12:01	5.09	0.81	0.54
TRMB02050-S	CHANNEL	0.00	0	00:00	0.00	0.00	0.00
TRMB02051	CONDUIT	26.86	0	12:01	4.45	0.81	0.60
TRMB02051-S	CHANNEL	0.00	0	00:00	0.00	0.00	0.06

Alternative #1 (10-Year)

TRMB02052	CONDUIT	24.04	0	12:01	3.73	0.27	0.64
TRMB02052-S	CHANNEL	0.22	0	12:00	1.80	0.00	0.07
TRMB02056	CONDUIT	23.58	0	12:01	4.29	0.40	0.73
TRMB02056-S	CHANNEL	0.34	0	12:00	2.85	0.00	0.06
TRMB02057	CONDUIT	20.55	0	12:01	5.41	0.36	0.69
TRMB02057-S	CHANNEL	3.44	0	12:00	2.74	0.03	0.22
TRMB02060	CONDUIT	15.82	0	12:01	5.83	0.28	0.52
TRMB02060-S	CHANNEL	8.29	0	12:00	4.58	0.04	0.30
TRMB02063	CONDUIT	11.19	0	12:00	7.88	0.30	0.46
TRMB02063-S	CHANNEL	0.00	0	12:00	0.00	0.00	0.15
TRMB02064	CONDUIT	11.18	0	12:00	6.77	0.59	0.52
TRMB02064-S	CHANNEL	0.01	0	12:00	1.00	0.00	0.02
TRMB02067	CONDUIT	9.55	0	12:00	4.39	1.39	0.85
TRMB02067-S	CHANNEL	1.67	0	12:00	3.67	0.01	0.13
TRMB02068	CONDUIT	5.52	0	12:00	2.97	0.51	0.74
TRMB02068-S	CHANNEL	2.01	0	12:00	1.87	0.01	0.20
TRMB02069	CONDUIT	1.83	0	12:00	2.22	0.11	0.40
TRMB02069-S	CHANNEL	0.00	0	11:39	0.00	0.00	0.09
TRMB02070	CONDUIT	1.83	0	12:00	3.10	0.18	0.30
TRMB02070-S	CHANNEL	0.01	0	11:59	1.04	0.00	0.02
TRMB03016	CONDUIT	57.63	0	12:00	9.82	0.50	0.59
TRMB03022	CONDUIT	46.83	0	12:02	7.22	0.55	0.89
TRMB03025	CONDUIT	45.77	0	12:02	13.47	0.23	0.38
TRMB03025-S	CHANNEL	0.58	0	12:00	7.10	0.00	0.05
TRMB03026	CONDUIT	0.96	0	12:00	10.47	0.06	0.17
TRMB03027	CONDUIT	0.96	0	12:00	4.36	0.26	0.32
TRMB03028	CONDUIT	43.35	0	12:02	7.16	3.25	0.60
TRMB03028-S	CHANNEL	0.00	0	00:00	0.00	0.00	0.05
TRMB03029	CONDUIT	43.36	0	12:02	5.95	0.47	0.72
TRMB03029-S	CHANNEL	0.00	0	00:00	0.00	0.00	0.00
TRMB03030	CONDUIT	43.46	0	12:01	7.23	0.53	0.61
TRMB03030-S	CHANNEL	0.00	0	00:00	0.00	0.00	0.00
TRMB03031	CONDUIT	0.00	0	00:00	0.00	0.00	0.00
TRMB03032	CONDUIT	39.76	0	12:01	6.98	0.46	0.57
TRMB03032-S	CHANNEL	0.04	0	12:00	0.13	0.00	0.12
TRMB03033	CONDUIT	0.67	0	12:00	1.09	0.06	0.50
TRMB03033-S	CHANNEL	0.66	0	12:00	2.73	0.00	0.09
TRMB03034	CONDUIT	9.24	0	12:00	3.19	0.18	0.64
TRMB03034-S	CHANNEL	0.71	0	12:00	2.72	0.01	0.10
TRMB03035-S	CHANNEL	0.00	0	12:00	0.00	0.00	0.01
TRMB03036	CONDUIT	38.03	0	12:01	7.27	1.06	0.69
TRMB03036-S	CHANNEL	0.00	0	12:00	0.04	0.00	0.03
TRMB03037	CONDUIT	4.93	0	12:00	6.87	1.23	0.86
TRMB03037-S	CHANNEL	5.09	0	12:00	3.05	0.04	0.25
TRMB03038	CONDUIT	0.00	0	00:00	0.00	0.00	0.50
TRMB03038-S	CHANNEL	0.00	0	00:00	0.00	0.00	0.01
TRMB03039	CONDUIT	29.03	0	12:01	7.47	0.14	0.54
TRMB03039-S	CHANNEL	0.29	0	12:00	1.77	0.00	0.08
TRMB03042	CONDUIT	4.35	0	12:00	8.07	0.38	0.51
TRMB03042-S	CHANNEL	4.92	0	12:00	5.21	0.02	0.20
TRMB03043	CONDUIT	15.04	0	12:01	6.63	0.60	0.47
TRMB03043-S	CHANNEL	0.29	0	12:00	2.03	0.00	0.07
TRMB03044	CONDUIT	6.50	0	12:00	6.55	0.53	0.55
TRMB03044-S	CHANNEL	0.91	0	12:00	0.27	0.01	0.35
TRMB03049	CONDUIT	0.23	0	11:48	0.27	0.01	0.79
TRMB03049-S	CHANNEL	0.00	0	00:00	0.00	0.00	0.00
TRMB03051	CONDUIT	14.82	0	12:01	7.84	0.28	0.58
TRMB03051-S	CHANNEL	0.00	0	12:00	0.00	0.00	0.01
TRMB03052	CONDUIT	0.00	0	00:00	0.00	0.00	0.36
TRMB03052-S	CHANNEL	0.00	0	00:00	0.00	0.00	0.00
TRMB03054	CONDUIT	8.88	0	12:00	4.72	1.61	0.58
TRMB03054-S	CHANNEL	0.30	0	12:01	0.62	0.01	0.13

Alternative #1 (10-Year)

TRMB03055	CONDUIT	5.11	0	12:00	3.19	0.82	0.51
TRMB03055-S	CHANNEL	0.56	0	12:00	0.62	0.02	0.18
TRMB03063	CONDUIT	4.60	0	12:00	3.80	0.43	0.73
TRMB03063-S	CHANNEL	5.07	0	12:00	3.64	0.04	0.26
TRMB03065	CONDUIT	83.44	0	12:01	12.37	0.72	0.66
TRMB03067	CONDUIT	0.52	0	11:47	1.41	0.03	0.56
TRMB03067-S	CHANNEL	0.03	0	11:47	0.04	0.00	0.02
TRMB03068	CONDUIT	4.13	0	11:49	6.14	0.13	0.51
TRMB03068-S	CHANNEL	6.66	0	12:00	5.10	0.02	0.25
TRMB03069	CONDUIT	77.45	0	12:01	9.93	0.86	0.76
TRMB03069-S	CHANNEL	1.90	0	12:00	2.64	0.02	0.16
TRMB03070	CONDUIT	1.07	0	11:52	0.33	0.01	0.65
TRMB03070-S	CHANNEL	0.69	0	11:53	0.62	0.01	0.33
TRMB03072	CONDUIT	72.98	0	12:01	11.53	0.39	0.63
TRMB03072-S_1	CHANNEL	0.00	0	12:30	0.00	0.00	0.12
TRMB03073	CONDUIT	3.39	0	12:00	3.77	0.30	0.69
TRMB03073-S	CHANNEL	1.50	0	12:00	6.38	0.00	0.09
TRMB03083	CONDUIT	7.27	0	12:36	1.20	1.20	0.90
TRMB03083-S	CHANNEL	0.00	0	00:00	0.00	0.00	0.00
TRMB03084	CONDUIT	72.86	0	12:01	10.67	0.66	0.67
TRMB03084-S	CHANNEL	0.44	0	12:30	0.69	0.00	0.15
TRMB03087-S	CHANNEL	0.00	0	00:00	0.00	0.00	0.32
TRMB03088_1	CONDUIT	58.05	0	12:00	10.94	0.80	0.70
TRMB03088_2	CONDUIT	57.99	0	12:01	9.97	0.88	0.82
TRMB03088_3	CONDUIT	58.02	0	12:01	10.53	0.88	0.73
TRMB03088_5	CONDUIT	62.54	0	12:00	7.48	0.63	0.84
TRMB03088-S	CHANNEL	0.00	0	00:00	0.00	0.00	0.32
TRMB03089	CONDUIT	58.06	0	12:00	13.06	0.55	0.60
TRMB03089-S	CHANNEL	0.00	0	00:00	0.00	0.00	0.00
TRMB03090	CONDUIT	58.07	0	12:00	10.01	0.78	0.76
TRMB03090-S	CHANNEL	0.00	0	00:00	0.00	0.00	0.50
TRMB03091	CONDUIT	45.76	0	12:00	7.84	0.57	0.77
TRMB03091-S	CHANNEL	21.67	0	12:00	4.61	0.10	0.70
TRMB03092	CONDUIT	3.67	0	12:00	4.26	0.22	0.66
TRMB03092-S	CHANNEL	2.38	0	12:00	3.77	0.01	0.59
TRMB03094	CONDUIT	40.24	0	12:00	10.11	0.55	0.55
TRMB03094-S	CHANNEL	24.70	0	12:00	4.23	0.17	0.46
TRMB03095	CONDUIT	6.20	0	12:00	7.55	0.16	0.63
TRMB03095-S	CHANNEL	7.27	0	11:52	1.73	0.50	0.51
TRMB03096	CONDUIT	23.37	0	12:00	5.63	0.83	0.59
TRMB03096-S	CHANNEL	26.41	0	12:00	4.86	0.08	0.44
TRMB03097	CONDUIT	4.54	0	12:00	5.06	0.30	0.69
TRMB03097-S	CHANNEL	10.78	0	12:00	5.83	0.04	0.39
TRMB03101	CONDUIT	0.27	0	12:59	0.66	0.00	0.51
TRMB03101-S	CHANNEL	0.00	0	11:39	0.00	0.00	0.19
TRMB03102	CONDUIT	18.01	0	12:00	5.76	0.20	0.46
TRMB03102-S	CHANNEL	31.77	0	12:00	6.03	0.14	0.43
TRMB03103	CONDUIT	11.92	0	12:00	8.07	0.10	0.26
TRMB03103-S	CHANNEL	36.13	0	12:00	5.88	0.14	0.47
TRMB03111	CONDUIT	6.11	0	12:00	7.80	0.16	0.30
TRMB03111-S	CHANNEL	30.18	0	12:00	4.90	0.17	0.47
TRMB04089_1	CONDUIT	8.40	0	12:30	2.71	0.18	0.58
TRMB04089_1-S	CHANNEL	112.42	0	12:30	5.61	0.88	0.97
TRMB04089_2	CONDUIT	17.72	0	12:34	3.55	0.38	0.81
TRMB04089_2-S	CHANNEL	77.63	0	12:34	6.97	0.61	0.69
TRMB05002	CONDUIT	100.04	0	12:01	28.78	0.14	0.33
TRMB05003	CONDUIT	100.08	0	12:01	11.49	0.66	0.65
TRMB05003-S	CHANNEL	0.00	0	11:36	0.00	0.00	0.01
TRMB05004	CONDUIT	0.65	0	14:55	0.84	0.01	1.00
TRMB05004-S	CHANNEL	0.00	0	11:36	0.00	0.00	0.01
TRMB05005	CONDUIT	2.15	0	11:58	1.74	0.01	0.93
TRMB05005-S	CHANNEL	0.08	0	12:00	2.92	0.00	0.03

Alternative #1 (10-Year)

TRMB05006	CONDUIT	97.69	0	12:01	8.05	1.08	0.93
TRMB05006-S	CHANNEL	0.00	0	00:00	0.00	0.00	0.01
TRMB05008	CONDUIT	18.63	0	12:02	5.07	0.32	0.71
TRMB05008-S	CHANNEL	0.00	0	11:46	0.00	0.00	0.03
TRMB05009_1	CONDUIT	71.46	0	12:01	9.80	0.79	0.71
TRMB05009_1-S	CHANNEL	0.18	0	12:35	1.80	0.00	0.06
TRMB05009_2	CONDUIT	75.40	0	12:01	8.63	0.84	0.85
TRMB05009_2-S	CHANNEL	0.01	0	11:46	0.00	0.00	0.01
TRMB05010	CONDUIT	4.23	0	12:00	3.59	0.04	0.57
TRMB05010-S	CHANNEL	0.00	0	11:46	0.00	0.00	0.05
TRMB05011	CONDUIT	1.60	0	12:00	6.00	0.04	0.14
TRMB05011-S	CHANNEL	0.00	0	00:00	0.00	0.00	0.05
TRMB05012	CONDUIT	1.60	0	12:00	2.99	0.42	0.45
TRMB05012-S	CHANNEL	0.00	0	00:00	0.00	0.00	0.02
TRMB05013	CONDUIT	1.53	0	12:00	4.28	0.02	0.55
TRMB05013-S	CHANNEL	0.43	0	12:00	3.66	0.00	0.07
TRMB05014	CONDUIT	2.85	0	12:00	4.23	0.09	0.60
TRMB05014-S	CHANNEL	0.47	0	11:57	2.39	0.00	0.11
TRMB05015	CONDUIT	64.52	0	12:01	7.62	1.16	0.82
TRMB05015-S	CHANNEL	3.89	0	12:34	3.83	0.03	0.20
TRMB05016	CONDUIT	17.64	0	12:00	5.69	0.10	0.60
TRMB05016-S	CHANNEL	2.80	0	11:56	2.98	0.02	0.18
TRMB05017	CONDUIT	40.93	0	12:34	5.14	0.79	0.93
TRMB05017-S	CHANNEL	13.54	0	11:55	4.29	0.07	0.34
TRMB05018	CONDUIT	3.60	0	12:00	4.46	0.14	0.62
TRMB05018-S	CHANNEL	2.40	0	11:55	2.75	0.02	0.18
TRMB05019	CONDUIT	14.88	0	12:00	7.25	0.25	0.44
TRMB05019-S	CHANNEL	0.15	0	11:55	2.59	0.00	0.05
TRMB05020	CONDUIT	0.25	0	11:56	1.43	0.03	0.26
TRMB05020-S	CHANNEL	0.11	0	11:56	1.68	0.00	0.05
TRMB05021	CONDUIT	14.79	0	12:00	5.26	0.42	0.56
TRMB05021-S	CHANNEL	0.00	0	12:13	0.00	0.00	0.00
TRMB05022	CONDUIT	1.29	0	12:00	2.45	0.16	0.45
TRMB05022-S	CHANNEL	0.07	0	11:56	1.44	0.00	0.04
TRMB05023	CONDUIT	0.33	0	12:11	2.44	0.08	0.41
TRMB05023-S	CHANNEL	0.00	0	12:00	0.00	0.00	0.16
TRMB05025	CONDUIT	8.66	0	11:49	10.66	0.15	0.63
TRMB05025-S	CHANNEL	25.81	0	12:34	3.96	0.09	0.69
TRMB05026	CONDUIT	3.42	0	12:00	14.56	0.12	0.25
TRMB05026-S	CHANNEL	0.00	0	00:00	0.00	0.00	0.00
TRMB05027	CONDUIT	8.66	0	11:48	10.40	0.18	0.64
TRMB05027-S	CHANNEL	32.96	0	12:34	4.84	0.09	0.69
TRMB05028	CONDUIT	13.47	0	12:00	5.73	0.48	0.48
TRMB05028-S	CHANNEL	0.00	0	11:17	0.00	0.00	0.00
TRMB05029	CONDUIT	1.35	0	12:00	1.48	0.25	0.85
TRMB05029-S	CHANNEL	0.01	0	13:04	0.00	0.00	0.01
TRMB05030	CONDUIT	4.40	0	11:59	3.40	0.11	0.50
TRMB05030-S	CHANNEL	0.00	0	11:17	0.00	0.00	0.01
TRMB05031	CONDUIT	4.62	0	12:00	4.95	0.37	0.71
TRMB05031-S	CHANNEL	0.33	0	12:00	0.56	0.00	0.14
TRMB05032	CONDUIT	4.08	0	12:00	3.38	0.11	0.43
TRMB05032-S	CHANNEL	0.00	0	11:50	0.00	0.00	0.02
TRMB05033	CONDUIT	3.60	0	12:00	3.97	8.25	0.75
TRMB05033-S	CHANNEL	0.36	0	12:00	1.53	0.04	0.09
TRMB05034	CONDUIT	2.69	0	12:30	4.00	0.50	0.54
TRMB05034-S	CHANNEL	0.15	0	12:30	1.48	0.00	0.06
TRMB05035	CONDUIT	6.34	0	12:00	7.52	0.14	0.48
TRMB05035-S	CHANNEL	0.11	0	11:59	1.40	0.00	0.05
TRMB05036	CONDUIT	2.86	0	12:00	4.56	0.46	0.51
TRMB05036-S	CHANNEL	0.00	0	11:30	0.00	0.00	0.01
TRMB05037	CONDUIT	2.12	0	12:00	3.50	0.16	0.49
TRMB05037-S	CHANNEL	0.04	0	12:00	1.36	0.00	0.03

Alternative #1 (10-Year)

TRMB05038	CONDUIT	3.30	0	12:00	5.94	0.42	0.46
TRMB05038-S	CHANNEL	0.00	0	11:30	0.00	0.00	0.02
TRMB05039	CONDUIT	1.75	0	12:00	2.29	0.35	0.60
TRMB05039-S	CHANNEL	0.01	0	12:00	0.50	0.00	0.04
TRMB05040	CONDUIT	9.12	0	12:00	4.81	0.56	0.58
TRMB05040-S	CHANNEL	0.43	0	12:00	1.34	0.00	0.11
TRMB05041	CONDUIT	12.01	0	12:00	5.08	0.53	0.57
TRMB05041-S	CHANNEL	0.06	0	12:00	0.60	0.00	0.08
TRMB05042	CONDUIT	3.42	0	12:00	4.29	0.46	0.62
TRMB05042-S	CHANNEL	0.00	0	00:00	0.00	0.00	0.08
TRMB05044	CONDUIT	0.84	0	11:59	1.14	0.06	0.50
TRMB05044-S	CHANNEL	0.04	0	12:00	1.48	0.00	0.03
TRMB05045	CONDUIT	14.73	0	12:01	6.08	0.64	0.59
TRMB05045-S	CHANNEL	0.04	0	12:00	1.98	0.00	0.03
TRMB05046	CONDUIT	14.83	0	12:01	6.40	0.20	0.48
TRMB05046-S	CHANNEL	0.18	0	12:30	3.37	0.00	0.04
TRMB05048	CONDUIT	16.81	0	12:01	4.82	0.58	0.67
CountrySideE_Ditch_Culvert_In-IC	DUMMY			5.78	0	13:00	
JMTB01003-IC	DUMMY	8.66	0	11:51			
JMTB01004-IC	DUMMY	4.05	0	11:52			
JMTB01005-IC	DUMMY	0.97	0	12:20			
JMTB01006-IC	DUMMY	8.66	0	11:51			
JMTB01102-IC	DUMMY	8.64	0	12:30			
JMTB01103-IC	DUMMY	4.31	0	12:30			
JMTB01104-IC	DUMMY	2.62	0	12:30			
JMTB01105-IC	DUMMY	8.66	0	12:14			
PCTB01068_US-IC	DUMMY	7.41	0	12:33			
PCTB01068-IC	DUMMY	6.72	0	12:33			
PCTB02001-IC	DUMMY	7.40	0	12:30			
PCTB02002-IC	DUMMY	0.00	0	00:00			
PCTB02003-IC	DUMMY	8.66	0	11:54			
PCTB02004-IC	DUMMY	7.64	0	11:54			
PCTB02011-IC	DUMMY	2.06	0	12:25			
PCTB02012-IC	DUMMY	8.66	0	12:24			
PCTB02014-IC	DUMMY	5.65	0	13:00			
PCTB02015-IC	DUMMY	0.00	0	00:00			
PCTB02016-IC	DUMMY	0.00	0	00:00			
PCTB02017-IC	DUMMY	0.00	0	00:00			
PCTB02022-IC	DUMMY	7.35	0	12:30			
PCTB02023-IC	DUMMY	7.60	0	12:30			
PCTB02189-IC	DUMMY	8.66	0	12:22			
PCTB02191_DS-IC	DUMMY	12.60	0	13:24			
PCTB02191-IC	DUMMY	6.14	0	12:25			
PCTB02207-IC	DUMMY	0.00	0	00:00			
PCTB02209-IC	DUMMY	0.00	0	00:00			
PCTB02229-IC	DUMMY	0.00	0	00:00			
PCTB02231-IC	DUMMY	0.00	0	00:00			
PCTB02235-IC	DUMMY	8.66	0	11:55			
PCTB02237-IC	DUMMY	7.57	0	11:56			
PCTB02257_1-IC	DUMMY	3.96	0	11:59			
PCTB02257-IC	DUMMY	8.66	0	12:23			
PCTB02260-IC	DUMMY	0.00	0	00:00			
PCTB02262-IC	DUMMY	0.00	0	00:00			
PCTB02275-IC	DUMMY	4.06	0	12:31			
PCTB02276-IC	DUMMY	0.00	0	00:00			
PCTB02278-IC	DUMMY	8.66	0	14:39			
PCTB02280-IC	DUMMY	8.66	0	11:59			
PCTB02281-IC	DUMMY	7.54	0	12:00			
PCTB02282-IC	DUMMY	3.77	0	12:30			
PCTB02283-IC	DUMMY	4.45	0	12:30			
PCTB02284-IC	DUMMY	0.00	0	00:00			
PCTB02292-IC	DUMMY	8.85	0	00:23			

Alternative #1 (10-Year)

PCTB02294-IC	DUMMY	10.36	0	00:24
PCTB02295-IC	DUMMY	12.39	0	13:02
PCTB02297-IC	DUMMY	5.45	0	12:30
PCTB02302-IC	DUMMY	7.09	0	00:22
PCTB02303-IC	DUMMY	4.20	0	12:30
PCTB02304-IC	DUMMY	8.66	0	11:49
PCTB02312-IC	DUMMY	7.46	0	00:22
PCTB02329-IC	DUMMY	2.31	0	12:31
PCTB02330-IC	DUMMY	4.48	0	12:30
PCTB02331-IC	DUMMY	8.01	0	12:30
PCTB02332-IC	DUMMY	0.73	0	12:30
TRMB02002-IC	DUMMY	2.76	0	12:00
TRMB02003-IC	DUMMY	6.85	0	12:04
TRMB02006-IC	DUMMY	4.94	0	12:00
TRMB02009-IC	DUMMY	4.89	0	12:00
TRMB02012-IC	DUMMY	0.38	0	12:00
TRMB02015-IC	DUMMY	8.66	0	11:56
TRMB02016-IC	DUMMY	8.29	0	11:57
TRMB02018-IC	DUMMY	6.30	0	12:03
TRMB02022-IC	DUMMY	10.38	0	12:03
TRMB02023-IC	DUMMY	6.72	0	12:03
TRMB02044_DS-IC	DUMMY	6.83	0	12:00
TRMB02044-IC	DUMMY	0.00	0	00:00
TRMB02045-IC	DUMMY	0.00	0	00:00
TRMB02046-IC	DUMMY	0.50	0	12:00
TRMB02047-IC	DUMMY	3.69	0	12:00
TRMB02048-IC	DUMMY	0.39	0	12:00
TRMB02049-IC	DUMMY	3.59	0	12:00
TRMB02050-IC	DUMMY	0.00	0	00:00
TRMB02051-IC	DUMMY	3.10	0	12:00
TRMB02052-IC	DUMMY	0.55	0	12:00
TRMB02056-IC	DUMMY	3.07	0	12:00
TRMB02057-IC	DUMMY	4.79	0	12:00
TRMB02060-IC	DUMMY	4.70	0	12:00
TRMB02063-IC	DUMMY	0.05	0	12:00
TRMB02064-IC	DUMMY	1.65	0	12:00
TRMB02067-IC	DUMMY	4.05	0	12:00
TRMB02068-IC	DUMMY	3.73	0	12:00
TRMB02069-IC	DUMMY	0.11	0	11:39
TRMB02070-IC	DUMMY	1.83	0	12:00
TRMB03016-IC	DUMMY	0.00	0	00:00
TRMB03022-IC	DUMMY	0.58	0	12:00
TRMB03025-IC	DUMMY	2.76	0	12:00
TRMB03028-IC	DUMMY	0.00	0	00:00
TRMB03029-IC	DUMMY	0.00	0	00:00
TRMB03030-IC	DUMMY	0.00	0	00:00
TRMB03031-IC	DUMMY	3.80	0	12:00
TRMB03032-IC	DUMMY	1.90	0	12:00
TRMB03033-IC	DUMMY	0.66	0	12:00
TRMB03034-IC	DUMMY	3.66	0	12:00
TRMB03036-IC	DUMMY	0.99	0	12:00
TRMB03037-IC	DUMMY	4.93	0	12:00
TRMB03038-IC	DUMMY	0.00	0	00:00
TRMB03039-IC	DUMMY	3.26	0	12:00
TRMB03042-IC	DUMMY	4.35	0	12:00
TRMB03043-IC	DUMMY	0.29	0	12:00
TRMB03044-IC	DUMMY	6.50	0	12:00
TRMB03049-IC	DUMMY	0.00	0	00:00
TRMB03051-IC	DUMMY	0.84	0	12:00
TRMB03052-IC	DUMMY	0.00	0	00:00
TRMB03054-IC	DUMMY	4.33	0	12:01
TRMB03055-IC	DUMMY	5.12	0	12:00

Alternative #1 (10-Year)

TRMB03063-IC	DUMMY	4.60	0	12:00
TRMB03065-IC	DUMMY	1.90	0	12:00
TRMB03067-IC	DUMMY	1.01	0	11:47
TRMB03068-IC	DUMMY	4.05	0	12:00
TRMB03069-IC	DUMMY	4.52	0	12:00
TRMB03070-IC	DUMMY	1.49	0	12:00
TRMB03072-IC	DUMMY	0.44	0	12:30
TRMB03073-IC	DUMMY	3.39	0	12:00
TRMB03084-IC	DUMMY	4.73	0	12:30
TRMB03087-IC	DUMMY	6.94	0	12:30
TRMB03088-IC	DUMMY	0.00	0	00:00
TRMB03089-IC	DUMMY	0.00	0	00:00
TRMB03090-IC	DUMMY	8.66	0	11:57
TRMB03091-IC	DUMMY	5.53	0	12:00
TRMB03092-IC	DUMMY	3.67	0	12:00
TRMB03094-IC	DUMMY	6.19	0	12:00
TRMB03095-IC	DUMMY	6.20	0	12:00
TRMB03096-IC	DUMMY	5.29	0	12:00
TRMB03097-IC	DUMMY	4.54	0	12:00
TRMB03101-IC	DUMMY	0.51	0	12:58
TRMB03102-IC	DUMMY	6.10	0	12:00
TRMB03103-IC	DUMMY	5.81	0	12:00
TRMB03111-IC	DUMMY	6.11	0	12:00
TRMB04089-IC	DUMMY	8.42	0	12:30
TRMB05002-IC	DUMMY	0.10	0	11:35
TRMB05003-IC	DUMMY	0.54	0	11:40
TRMB05004-IC	DUMMY	1.20	0	11:57
TRMB05005-IC	DUMMY	2.16	0	12:00
TRMB05006-IC	DUMMY	0.10	0	11:33
TRMB05008-IC	DUMMY	2.11	0	12:00
TRMB05009_DS-IC	DUMMY	1.14	0	11:45
TRMB05009-IC	DUMMY	2.95	0	12:35
TRMB05010-IC	DUMMY	2.63	0	12:00
TRMB05011-IC	DUMMY	0.00	0	00:00
TRMB05012-IC	DUMMY	1.61	0	12:00
TRMB05013-IC	DUMMY	1.54	0	12:00
TRMB05014-IC	DUMMY	2.85	0	12:00
TRMB05015-IC	DUMMY	4.60	0	11:55
TRMB05016-IC	DUMMY	2.56	0	12:01
TRMB05017_US-IC	DUMMY	8.66	0	11:54
TRMB05017-IC	DUMMY	5.39	0	12:34
TRMB05018-IC	DUMMY	2.32	0	11:56
TRMB05019-IC	DUMMY	0.32	0	12:08
TRMB05020-IC	DUMMY	0.49	0	11:56
TRMB05021-IC	DUMMY	0.21	0	13:04
TRMB05022-IC	DUMMY	1.03	0	12:00
TRMB05023-IC	DUMMY	4.24	0	12:46
TRMB05025-IC	DUMMY	8.66	0	11:49
TRMB05026-IC	DUMMY	0.00	0	00:00
TRMB05027-IC	DUMMY	8.66	0	11:48
TRMB05028-IC	DUMMY	0.43	0	12:00
TRMB05029-IC	DUMMY	1.36	0	12:00
TRMB05030-IC	DUMMY	0.88	0	11:49
TRMB05031-IC	DUMMY	4.62	0	12:00
TRMB05032-IC	DUMMY	1.72	0	12:00
TRMB05033-IC	DUMMY	3.60	0	12:00
TRMB05034-IC	DUMMY	2.69	0	12:30
TRMB05035-IC	DUMMY	0.35	0	11:30
TRMB05036-IC	DUMMY	0.80	0	11:47
TRMB05037-IC	DUMMY	2.12	0	12:00
TRMB05038-IC	DUMMY	1.55	0	12:00
TRMB05039-IC	DUMMY	1.76	0	12:00

Alternative #1 (10-Year)

TRMB05040-IC	DUMMY	2.81	0	12:00
TRMB05041-IC	DUMMY	2.93	0	12:00
TRMB05042-IC	DUMMY	3.42	0	12:00
TRMB05043-IC	DUMMY	0.00	0	00:00
TRMB05044-IC	DUMMY	1.04	0	11:39
TRMB05045-IC	DUMMY	2.01	0	12:00
TRMB05046-IC	DUMMY	0.39	0	11:45
TRMB05048-IC	DUMMY	2.52	0	12:30

 Flow Classification Summary

Conduit	Adjusted /Actual Length	----- Fraction of Time in Flow Class -----								
		Up Dry	Down Dry	Sub Dry	Sup Crit	Up Crit	Down Crit	Norm Ltd	Inlet Ctrl	
C1	1.45	0.00	0.00	0.00	1.00	0.00	0.00	0.00	0.00	0.00
C14	2.29	0.01	0.00	0.00	0.96	0.04	0.00	0.00	0.00	0.00
C2	1.00	0.00	0.00	0.00	0.12	0.88	0.00	0.00	0.49	0.00
C2_1	6.41	0.00	0.00	0.00	1.00	0.00	0.00	0.00	0.00	0.00
C2_1-S	3.97	0.00	0.18	0.00	0.78	0.04	0.00	0.00	0.97	0.00
C2_2	1.00	0.00	0.00	0.00	1.00	0.00	0.00	0.00	0.00	0.00
C3	1.00	0.01	0.04	0.00	0.95	0.00	0.00	0.00	0.99	0.00
C4	1.00	0.00	0.01	0.00	0.41	0.57	0.00	0.00	0.00	0.00
C5	3.03	0.00	0.00	0.00	0.86	0.14	0.00	0.00	1.00	0.00
C9	9.19	0.00	0.00	0.00	0.99	0.00	0.00	0.00	0.99	0.00
C9-S	9.93	0.41	0.59	0.00	0.00	0.00	0.00	0.00	0.00	0.00
CountrySideE_Ditch	1.00	0.00	0.00	0.00	1.00	0.00	0.00	0.00	0.78	0.00
CountrySideE_Ditch_Culvert	1.00	1.00	0.01	0.00	0.00	0.98	0.00	0.00	0.01	0.00
0.00										
CountrySideE_Ditch_Culvert-S		1.00	0.26	0.02	0.00	0.33	0.39	0.00	0.00	
0.24 0.00										
JMTB01003	6.17	0.00	0.00	0.00	1.00	0.00	0.00	0.00	0.00	0.00
JMTB01003-S	10.55	0.16	0.56	0.00	0.28	0.00	0.00	0.00	0.00	0.00
JMTB01004	1.41	0.00	0.00	0.00	0.98	0.02	0.00	0.00	0.00	0.00
JMTB01004-S	1.20	0.72	0.00	0.00	0.01	0.27	0.00	0.00	0.00	0.00
JMTB01005	1.00	0.00	0.00	0.00	1.00	0.00	0.00	0.00	0.38	0.00
JMTB01005-S	1.00	0.15	0.61	0.00	0.24	0.00	0.00	0.00	0.50	0.00
JMTB01102	3.59	0.00	0.00	0.00	1.00	0.00	0.00	0.00	0.46	0.00
JMTB01102-S	3.41	0.18	0.59	0.00	0.23	0.00	0.00	0.00	0.71	0.00
JMTB01103	1.00	0.00	0.00	0.00	1.00	0.00	0.00	0.00	0.46	0.00
JMTB01103_1	1.00	0.00	0.00	0.00	1.00	0.00	0.00	0.00	0.00	0.00
JMTB01103-S	1.00	0.21	0.57	0.00	0.22	0.00	0.00	0.00	0.94	0.00
JMTB01104	2.72	0.00	0.00	0.00	1.00	0.00	0.00	0.00	0.32	0.00
JMTB01104-S	2.20	0.35	0.05	0.00	0.27	0.33	0.00	0.00	0.06	0.00
PCTB01068	1.00	0.00	0.00	0.00	1.00	0.00	0.00	0.00	0.00	0.00
PCTB01068_US	1.00	0.00	0.00	0.00	1.00	0.00	0.00	0.00	0.11	0.00
PCTB01068_US-S	1.00	0.20	0.48	0.00	0.32	0.00	0.00	0.00	0.00	0.00
PCTB02001_1	1.00	0.00	0.00	0.00	1.00	0.00	0.00	0.00	0.01	0.00
PCTB02001_2	1.00	0.00	0.00	0.00	1.00	0.00	0.00	0.00	0.03	0.00
PCTB02002	1.21	0.00	0.02	0.00	0.98	0.00	0.00	0.00	0.03	0.00
PCTB02002-S	1.28	0.28	0.72	0.00	0.00	0.00	0.00	0.00	0.00	0.00
PCTB02003	1.00	0.00	0.00	0.00	1.00	0.00	0.00	0.00	0.03	0.00
PCTB02003-S	1.00	0.12	0.07	0.00	0.38	0.42	0.00	0.00	0.05	0.00
PCTB02008	1.00	0.00	0.00	0.00	1.00	0.00	0.00	0.00	0.00	0.00
PCTB02011	3.82	0.00	0.00	0.00	0.91	0.08	0.00	0.00	0.38	0.00
PCTB02011_1	1.00	0.00	0.00	0.00	1.00	0.00	0.00	0.00	0.00	0.00

Alternative #1 (10-Year)

PCTB02011-S	2.41	0.27	0.52	0.00	0.21	0.00	0.00	0.00	0.00	0.00
PCTB02014	3.40	0.00	0.02	0.00	0.98	0.00	0.00	0.00	0.00	0.00
PCTB02014_1	1.00	0.00	0.00	0.00	1.00	0.00	0.00	0.00	0.05	0.00
PCTB02014-S	2.03	0.83	0.17	0.00	0.00	0.00	0.00	0.00	0.00	0.00
PCTB02016	1.79	0.00	0.00	0.00	0.96	0.04	0.00	0.00	0.23	0.00
PCTB02016-S	1.00	1.00	0.00	0.00	0.00	0.00	0.00	0.00	0.00	0.00
PCTB02020	1.00	0.00	0.00	0.00	0.95	0.00	0.00	0.05	0.26	0.00
PCTB02021	1.00	0.00	0.02	0.00	0.98	0.00	0.00	0.00	0.03	0.00
PCTB02022	1.50	0.00	0.00	0.00	1.00	0.00	0.00	0.00	0.01	0.00
PCTB02022-S	1.00	0.11	0.06	0.00	0.19	0.63	0.00	0.00	0.00	0.00
PCTB02023	1.00	0.00	0.00	0.00	1.00	0.00	0.00	0.00	0.06	0.00
PCTB02023-S	1.00	0.46	0.53	0.00	0.01	0.00	0.00	0.00	0.48	0.00
PCTB02076	1.20	0.00	0.00	0.00	1.00	0.00	0.00	0.00	0.00	0.00
PCTB02080	1.00	0.00	0.00	0.00	1.00	0.00	0.00	0.00	0.00	0.00
PCTB02160	1.00	0.00	0.00	0.00	1.00	0.00	0.00	0.00	0.00	0.00
PCTB02172	2.17	0.00	0.00	0.00	1.00	0.00	0.00	0.00	0.00	0.00
PCTB02189	1.00	0.00	0.00	0.00	1.00	0.00	0.00	0.00	0.00	0.00
PCTB02189-S	1.00	0.02	0.00	0.00	0.04	0.93	0.00	0.00	0.00	0.00
PCTB02208	1.00	0.01	0.00	0.00	0.99	0.00	0.00	0.00	0.00	0.00
PCTB02208-S	1.00	1.00	0.00	0.00	0.00	0.00	0.00	0.00	0.00	0.00
PCTB02231	1.00	0.00	0.00	0.00	1.00	0.00	0.00	0.00	0.00	0.00
PCTB02231-S	1.00	1.00	0.00	0.00	0.00	0.00	0.00	0.00	0.00	0.00
PCTB02237	1.00	0.00	0.00	0.00	1.00	0.00	0.00	0.00	0.00	0.00
PCTB02237-S	1.00	0.19	0.22	0.00	0.59	0.00	0.00	0.00	0.00	0.00
PCTB02239	1.00	0.00	1.00	0.00	0.00	0.00	0.00	0.00	0.00	0.00
PCTB02240	1.00	0.00	0.00	0.00	0.99	0.00	0.00	0.00	0.00	0.00
PCTB02259_1	1.62	0.00	0.00	0.00	1.00	0.00	0.00	0.00	0.00	0.00
PCTB02259_2	1.00	0.00	0.02	0.00	0.98	0.00	0.00	0.00	0.00	0.00
PCTB02260	1.09	0.01	0.00	0.00	0.98	0.00	0.00	0.00	0.00	0.00
PCTB02260-S	1.00	1.00	0.00	0.00	0.00	0.00	0.00	0.00	0.00	0.00
PCTB02264	1.00	0.01	0.01	0.00	0.99	0.00	0.00	0.00	0.00	0.00
PCTB02274	1.00	0.00	0.00	0.00	1.00	0.00	0.00	0.00	1.00	0.00
PCTB02275	3.23	0.00	0.02	0.00	0.98	0.00	0.00	0.00	0.00	0.00
PCTB02275-S	3.61	0.15	0.10	0.00	0.04	0.71	0.00	0.00	0.01	0.00
PCTB02276	1.00	0.01	0.00	0.00	0.99	0.00	0.00	0.00	0.00	0.00
PCTB02276-S	1.00	0.43	0.57	0.00	0.00	0.00	0.00	0.00	0.00	0.00
PCTB02278	1.00	0.00	0.00	0.00	1.00	0.00	0.00	0.00	0.00	0.00
PCTB02278-S	1.00	0.63	0.37	0.00	0.00	0.00	0.00	0.00	0.00	0.00
PCTB02279	1.00	0.00	0.00	0.00	1.00	0.00	0.00	0.00	0.67	0.00
PCTB02280	1.00	0.00	0.00	0.00	1.00	0.00	0.00	0.00	0.00	0.00
PCTB02280-S	1.00	0.01	0.00	0.00	0.99	0.00	0.00	0.00	0.98	0.00
PCTB02281	2.41	0.00	0.00	0.00	1.00	0.00	0.00	0.00	0.00	0.00
PCTB02281-S	1.89	0.02	0.00	0.00	0.98	0.00	0.00	0.00	0.00	0.00
PCTB02282	1.00	0.00	0.00	0.00	1.00	0.00	0.00	0.00	0.00	0.00
PCTB02282-S	1.00	0.01	0.04	0.00	0.95	0.00	0.00	0.00	0.99	0.00
PCTB02283	1.34	0.00	0.01	0.00	0.99	0.00	0.00	0.00	0.00	0.00
PCTB02283-S	2.70	0.05	0.00	0.00	0.19	0.76	0.00	0.00	0.02	0.00
PCTB02284	1.00	0.01	0.00	0.00	0.99	0.00	0.00	0.00	0.00	0.00
PCTB02284-S	1.00	0.60	0.40	0.00	0.00	0.00	0.00	0.00	0.00	0.00
PCTB02292	1.00	0.00	0.00	0.00	1.00	0.00	0.00	0.00	0.00	0.00
PCTB02294	3.11	0.00	0.00	0.00	1.00	0.00	0.00	0.00	0.00	0.00
PCTB02294-S	1.30	0.00	0.00	0.00	1.00	0.00	0.00	0.00	0.61	0.00
PCTB02295	1.00	0.00	0.00	0.00	1.00	0.00	0.00	0.00	0.00	0.00
PCTB02297	1.00	0.00	0.00	0.00	1.00	0.00	0.00	0.00	0.00	0.00
PCTB02297-S	1.00	0.01	0.05	0.00	0.94	0.00	0.00	0.00	0.98	0.00
PCTB02299	1.00	0.00	0.00	0.00	1.00	0.00	0.00	0.00	0.00	0.00
PCTB02300	1.00	0.00	0.00	0.00	1.00	0.00	0.00	0.00	0.00	0.00
PCTB02301	1.00	0.00	0.00	0.00	1.00	0.00	0.00	0.00	0.00	0.00
PCTB02302	1.00	0.00	0.00	0.00	1.00	0.00	0.00	0.00	0.00	0.00
PCTB02303	2.33	0.00	0.00	0.00	1.00	0.00	0.00	0.00	0.00	0.00
PCTB02303-S	1.93	0.01	0.04	0.00	0.95	0.00	0.00	0.00	0.99	0.00
PCTB02304	6.82	0.00	0.00	0.00	1.00	0.00	0.00	0.00	0.01	0.00

Alternative #1 (10-Year)

PCTB02304-S	6.10	0.04	0.01	0.00	0.87	0.08	0.00	0.00	0.98	0.00
PCTB02312	1.00	0.00	0.00	0.00	1.00	0.00	0.00	0.00	0.00	0.00
PCTB02329	1.00	0.00	0.00	0.00	1.00	0.00	0.00	0.00	0.01	0.00
PCTB02329-S	1.00	0.82	0.00	0.00	0.02	0.16	0.00	0.00	0.00	0.00
PCTB02330	1.00	0.00	0.00	0.00	1.00	0.00	0.00	0.00	0.00	0.00
PCTB02330-S	1.00	0.14	0.67	0.00	0.18	0.00	0.00	0.00	0.00	0.00
PCTB02331	1.00	0.00	0.00	0.00	1.00	0.00	0.00	0.00	0.02	0.00
PCTB02331-S	1.00	0.14	0.84	0.00	0.01	0.00	0.00	0.00	0.00	0.00
TRMB02002	1.00	0.00	0.00	0.00	0.00	1.00	0.00	0.00	0.04	0.00
TRMB02003	5.01	0.00	0.00	0.00	1.00	0.00	0.00	0.00	0.04	0.00
TRMB02003-S	3.46	0.34	0.18	0.00	0.27	0.22	0.00	0.00	0.03	0.00
TRMB02006	1.00	0.00	0.00	0.00	1.00	0.00	0.00	0.00	1.00	0.00
TRMB02006-S	1.00	0.67	0.05	0.00	0.21	0.06	0.00	0.00	0.36	0.00
TRMB02009	1.00	0.00	0.00	0.00	0.00	1.00	0.00	0.00	0.99	0.00
TRMB02009-S	1.00	0.02	0.01	0.00	0.34	0.64	0.00	0.00	0.01	0.00
TRMB02012	1.00	0.00	0.00	0.00	0.00	0.99	0.00	0.00	0.01	0.00
TRMB02012-S	1.00	0.02	0.00	0.00	0.97	0.01	0.00	0.00	0.00	0.00
TRMB02015	1.00	0.00	0.40	0.00	0.60	0.00	0.00	0.00	0.99	0.00
TRMB02015-S	1.00	0.83	0.07	0.00	0.10	0.00	0.00	0.00	0.50	0.00
TRMB02016	4.53	0.00	0.00	0.00	0.00	1.00	0.00	0.00	1.00	0.00
TRMB02016-S	1.39	0.11	0.05	0.00	0.57	0.27	0.00	0.00	0.00	0.00
TRMB02018	1.00	0.00	0.00	0.00	0.02	0.98	0.00	0.00	0.00	0.00
TRMB02018-S	1.00	0.13	0.00	0.00	0.75	0.12	0.00	0.00	0.60	0.00
TRMB02022	1.00	0.00	0.00	0.00	1.00	0.00	0.00	0.00	1.00	0.00
TRMB02022-S	1.00	0.00	0.12	0.00	0.86	0.02	0.00	0.00	0.48	0.00
TRMB02023	1.00	0.00	0.01	0.00	0.99	0.00	0.00	0.00	0.99	0.00
TRMB02023-S	1.00	0.17	0.00	0.00	0.05	0.00	0.78	0.00	0.00	0.00
TRMB02044_1-S	1.00	0.06	0.94	0.00	0.00	0.00	0.00	0.00	0.00	0.00
TRMB02044_2	1.00	0.00	0.00	0.00	0.40	0.60	0.00	0.00	1.00	0.00
TRMB02044_2-S	1.00	0.00	0.06	0.00	0.16	0.78	0.00	0.00	0.08	0.00
TRMB02044_3	1.00	0.00	0.00	0.00	1.00	0.00	0.00	0.00	0.00	0.00
TRMB02044_4	1.00	0.00	0.00	0.00	1.00	0.00	0.00	0.00	0.00	0.00
TRMB02044_5	1.00	0.00	0.00	0.00	1.00	0.00	0.00	0.00	1.00	0.00
TRMB02045	2.69	0.00	0.00	0.00	0.76	0.24	0.00	0.00	0.00	0.00
TRMB02045-S	2.35	1.00	0.00	0.00	0.00	0.00	0.00	0.00	0.00	0.00
TRMB02046-S	2.80	0.90	0.10	0.00	0.00	0.00	0.00	0.00	0.00	0.00
TRMB02047-S	1.03	0.32	0.13	0.00	0.28	0.26	0.00	0.00	0.00	0.00
TRMB02048	1.00	0.00	0.00	0.00	0.00	1.00	0.00	0.00	0.00	0.00
TRMB02048-S	1.00	0.43	0.49	0.00	0.09	0.00	0.00	0.00	0.89	0.00
TRMB02049-S	1.00	0.52	0.14	0.00	0.12	0.22	0.00	0.00	0.00	0.00
TRMB02050	1.13	0.00	0.00	0.00	1.00	0.00	0.00	0.00	0.00	0.00
TRMB02050-S	1.00	1.00	0.00	0.00	0.00	0.00	0.00	0.00	0.00	0.00
TRMB02051	1.00	0.00	0.00	0.00	1.00	0.00	0.00	0.00	0.00	0.00
TRMB02051-S	1.00	0.51	0.49	0.00	0.00	0.00	0.00	0.00	0.00	0.00
TRMB02052	4.87	0.00	0.00	0.00	1.00	0.00	0.00	0.00	0.02	0.00
TRMB02052-S	1.98	0.43	0.07	0.00	0.29	0.21	0.00	0.00	0.00	0.00
TRMB02056	4.44	0.00	0.00	0.00	0.28	0.72	0.00	0.00	0.90	0.00
TRMB02056-S	3.10	0.93	0.03	0.00	0.01	0.04	0.00	0.00	0.00	0.00
TRMB02057	5.10	0.00	0.00	0.00	0.05	0.95	0.00	0.00	0.01	0.00
TRMB02057-S	2.66	0.78	0.00	0.00	0.17	0.05	0.00	0.00	0.00	0.00
TRMB02060	1.00	0.00	0.00	0.00	0.04	0.96	0.00	0.00	0.97	0.00
TRMB02060-S	1.00	0.07	0.06	0.00	0.44	0.43	0.00	0.00	0.01	0.00
TRMB02063	1.00	0.00	0.00	0.00	0.00	1.00	0.00	0.00	1.00	0.00
TRMB02063-S	1.00	0.13	0.87	0.00	0.00	0.00	0.00	0.00	0.50	0.00
TRMB02064	1.00	0.00	0.00	0.00	0.00	1.00	0.00	0.00	0.00	0.00
TRMB02064-S	1.00	0.94	0.00	0.00	0.04	0.02	0.00	0.00	0.00	0.00
TRMB02067	1.00	0.00	0.00	0.00	1.00	0.00	0.00	0.00	0.00	0.00
TRMB02067-S	1.00	0.25	0.05	0.00	0.53	0.18	0.00	0.00	0.01	0.00
TRMB02068	1.00	0.00	0.00	0.00	1.00	0.00	0.00	0.00	0.99	0.00
TRMB02068-S	1.00	0.29	0.02	0.00	0.35	0.34	0.00	0.00	0.18	0.00
TRMB02069	1.59	0.00	0.00	0.00	1.00	0.00	0.00	0.00	1.00	0.00
TRMB02069-S	1.35	0.31	0.67	0.00	0.02	0.00	0.00	0.00	0.95	0.00

Alternative #1 (10-Year)

TRMB02070	1.67	0.00	0.00	0.00	0.91	0.09	0.00	0.00	0.00	0.00
TRMB02070-S	1.20	0.64	0.08	0.00	0.22	0.06	0.00	0.00	0.00	0.00
TRMB03016	2.54	0.00	0.00	0.00	0.00	1.00	0.00	0.00	0.01	0.00
TRMB03022	1.00	0.00	0.00	0.00	0.01	0.99	0.00	0.00	0.74	0.00
TRMB03025	2.86	0.00	0.00	0.00	0.00	1.00	0.00	0.00	0.99	0.00
TRMB03025-S	2.46	0.26	0.15	0.00	0.39	0.19	0.00	0.00	0.00	0.00
TRMB03026	8.84	0.00	0.00	0.00	0.00	0.00	0.00	1.00	0.00	0.00
TRMB03027	1.67	0.00	0.00	0.00	0.00	1.00	0.00	0.00	0.00	0.00
TRMB03028	1.40	0.00	0.00	0.00	1.00	0.00	0.00	0.00	0.00	0.00
TRMB03028-S	3.66	0.41	0.59	0.00	0.00	0.00	0.00	0.00	0.00	0.00
TRMB03029	1.00	0.00	0.00	0.00	1.00	0.00	0.00	0.00	0.99	0.00
TRMB03029-S	1.00	1.00	0.00	0.00	0.00	0.00	0.00	0.00	0.00	0.00
TRMB03030	1.00	0.00	0.00	0.00	0.01	0.99	0.00	0.00	0.00	0.00
TRMB03030-S	1.00	1.00	0.00	0.00	0.00	0.00	0.00	0.00	0.00	0.00
TRMB03031	1.00	1.00	0.00	0.00	0.00	0.00	0.00	0.00	0.00	0.00
TRMB03032	1.00	0.00	0.00	0.00	0.05	0.95	0.00	0.00	1.00	0.00
TRMB03032-S	1.00	0.28	0.11	0.00	0.52	0.09	0.00	0.00	0.70	0.00
TRMB03033	10.18	0.00	0.65	0.00	0.35	0.00	0.00	0.00	0.35	0.00
TRMB03033-S	8.86	0.83	0.00	0.00	0.13	0.04	0.00	0.00	0.00	0.00
TRMB03034	1.00	0.00	0.00	0.00	1.00	0.00	0.00	0.00	1.00	0.00
TRMB03034-S	1.00	0.83	0.00	0.00	0.13	0.04	0.00	0.00	0.00	0.00
TRMB03035-S	3.74	0.34	0.00	0.00	0.66	0.00	0.00	0.00	0.00	0.00
TRMB03036	1.00	0.00	0.00	0.00	0.72	0.28	0.00	0.00	0.00	0.00
TRMB03036-S	1.00	0.29	0.67	0.00	0.04	0.00	0.00	0.00	0.50	0.00
TRMB03037	1.67	0.00	0.00	0.00	0.00	1.00	0.00	0.00	0.00	0.00
TRMB03037-S	1.54	0.28	0.18	0.00	0.22	0.32	0.00	0.00	0.01	0.00
TRMB03038	3.46	0.35	0.65	0.00	0.00	0.00	0.00	0.00	0.00	0.00
TRMB03038-S	2.35	0.96	0.04	0.00	0.00	0.00	0.00	0.00	0.00	0.00
TRMB03039	12.41	0.00	0.00	0.00	0.00	1.00	0.00	0.00	1.00	0.00
TRMB03039-S	1.00	0.88	0.00	0.00	0.07	0.04	0.00	0.00	0.00	0.00
TRMB03042	1.00	0.00	0.00	0.00	0.00	1.00	0.00	0.00	0.85	0.00
TRMB03042-S	1.00	0.09	0.04	0.00	0.53	0.33	0.00	0.00	0.00	0.00
TRMB03043	1.00	0.00	0.00	0.00	0.01	0.99	0.00	0.00	0.01	0.00
TRMB03043-S	1.00	0.88	0.00	0.00	0.07	0.04	0.00	0.00	0.00	0.00
TRMB03044	1.00	0.00	0.00	0.00	0.05	0.95	0.00	0.00	0.54	0.00
TRMB03044-S	1.00	0.39	0.49	0.00	0.11	0.00	0.00	0.00	0.98	0.00
TRMB03049	5.44	0.00	0.75	0.00	0.25	0.00	0.00	0.00	0.40	0.00
TRMB03049-S	5.34	0.96	0.04	0.00	0.00	0.00	0.00	0.00	0.00	0.00
TRMB03051	6.81	0.00	0.00	0.00	0.00	1.00	0.00	0.00	0.99	0.00
TRMB03051-S	3.77	0.93	0.03	0.00	0.04	0.00	0.00	0.00	0.50	0.00
TRMB03052	2.88	0.00	1.00	0.00	0.00	0.00	0.00	0.00	0.00	0.00
TRMB03052-S	1.60	0.93	0.07	0.00	0.00	0.00	0.00	0.00	0.00	0.00
TRMB03054	1.00	0.00	0.00	0.00	1.00	0.00	0.00	0.00	0.00	0.00
TRMB03054-S	1.00	0.82	0.02	0.00	0.15	0.00	0.00	0.00	0.00	0.00
TRMB03055	1.00	0.00	0.00	0.00	1.00	0.00	0.00	0.00	0.00	0.00
TRMB03055-S	1.00	0.29	0.03	0.00	0.59	0.10	0.00	0.00	0.00	0.00
TRMB03063	1.00	0.00	0.00	0.00	1.00	0.00	0.00	0.00	1.00	0.00
TRMB03063-S	1.00	0.08	0.08	0.00	0.47	0.37	0.00	0.00	0.00	0.00
TRMB03065	1.00	0.00	0.00	0.00	0.00	1.00	0.00	0.00	0.01	0.00
TRMB03067	2.16	0.00	0.00	0.00	1.00	0.00	0.00	0.00	1.00	0.00
TRMB03067-S	1.88	0.46	0.08	0.00	0.44	0.02	0.00	0.00	0.03	0.00
TRMB03068	1.74	0.00	0.00	0.00	0.05	0.02	0.00	0.93	0.04	0.00
TRMB03068-S	5.47	0.23	0.15	0.00	0.23	0.39	0.00	0.00	0.04	0.00
TRMB03069	1.22	0.00	0.00	0.00	0.01	0.99	0.00	0.00	0.01	0.00
TRMB03069-S	1.01	0.75	0.04	0.00	0.16	0.06	0.00	0.00	0.00	0.00
TRMB03070	3.10	0.00	0.83	0.00	0.17	0.00	0.00	0.00	0.45	0.00
TRMB03070-S	1.00	0.15	0.62	0.00	0.23	0.00	0.00	0.00	0.44	0.00
TRMB03072	1.28	0.00	0.00	0.00	0.00	1.00	0.00	0.00	1.00	0.00
TRMB03072-S_1	1.00	0.95	0.01	0.00	0.03	0.00	0.00	0.00	0.50	0.00
TRMB03073	1.00	0.00	0.00	0.00	0.98	0.02	0.00	0.00	0.99	0.00
TRMB03073-S	1.52	0.32	0.21	0.00	0.19	0.28	0.00	0.00	0.01	0.00
TRMB03083	2.03	0.00	0.00	0.00	1.00	0.00	0.00	0.00	0.02	0.00

Alternative #1 (10-Year)

TRMB03083-S	2.11	0.97	0.03	0.00	0.00	0.00	0.00	0.00	0.00	0.00
TRMB03084	1.91	0.00	0.00	0.00	0.00	1.00	0.00	0.00	0.00	0.00
TRMB03084-S	9.74	0.61	0.36	0.00	0.04	0.00	0.00	0.00	0.00	0.00
TRMB03087-S	1.00	0.10	0.90	0.00	0.00	0.00	0.00	0.00	0.00	0.00
TRMB03088_1	1.00	0.00	0.00	0.00	0.00	0.99	0.00	0.00	0.98	0.00
TRMB03088_2	1.73	0.00	0.00	0.00	0.01	0.99	0.00	0.00	0.54	0.00
TRMB03088_3	1.00	0.00	0.00	0.00	0.00	0.99	0.00	0.00	0.37	0.00
TRMB03088_5	1.13	0.00	0.00	0.00	0.08	0.92	0.00	0.00	0.92	0.00
TRMB03088-S	1.00	0.10	0.90	0.00	0.00	0.00	0.00	0.00	0.00	0.00
TRMB03089	3.10	0.00	0.00	0.00	0.00	1.00	0.00	0.00	0.99	0.00
TRMB03089-S	1.00	1.00	0.00	0.00	0.00	0.00	0.00	0.00	0.00	0.00
TRMB03090	6.94	0.00	0.00	0.00	0.96	0.04	0.00	0.00	0.00	0.00
TRMB03090-S	6.70	0.81	0.19	0.00	0.00	0.00	0.00	0.00	0.00	0.00
TRMB03091	1.00	0.00	0.00	0.00	1.00	0.00	0.00	0.00	1.00	0.00
TRMB03091-S	1.00	0.21	0.12	0.00	0.50	0.18	0.00	0.00	0.04	0.00
TRMB03092	1.00	0.00	0.00	0.00	1.00	0.00	0.00	0.00	1.00	0.00
TRMB03092-S	1.00	0.25	0.15	0.00	0.35	0.25	0.00	0.00	0.04	0.00
TRMB03094	1.00	0.00	0.00	0.00	0.00	1.00	0.00	0.00	0.21	0.00
TRMB03094-S	1.00	0.16	0.41	0.00	0.37	0.06	0.00	0.00	0.87	0.00
TRMB03095	21.41	0.00	0.01	0.00	0.95	0.04	0.00	0.00	0.99	0.00
TRMB03095-S	2.35	0.42	0.00	0.00	0.58	0.00	0.00	0.00	0.00	0.00
TRMB03096	2.75	0.00	0.00	0.00	1.00	0.00	0.00	0.00	0.00	0.00
TRMB03096-S	3.82	0.48	0.31	0.00	0.14	0.07	0.00	0.00	0.44	0.00
TRMB03097	1.00	0.00	0.00	0.00	0.14	0.86	0.00	0.00	1.00	0.00
TRMB03097-S	1.00	0.17	0.09	0.00	0.28	0.47	0.00	0.00	0.05	0.00
TRMB03101	21.32	0.00	0.00	0.00	1.00	0.00	0.00	0.00	1.00	0.00
TRMB03101-S	10.03	0.42	0.09	0.00	0.49	0.00	0.00	0.00	0.06	0.00
TRMB03102	2.34	0.00	0.00	0.00	0.07	0.93	0.00	0.00	1.00	0.00
TRMB03102-S	1.51	0.28	0.12	0.00	0.38	0.22	0.00	0.00	0.00	0.00
TRMB03103	1.35	0.00	0.00	0.00	0.00	1.00	0.00	0.00	1.00	0.00
TRMB03103-S	1.00	0.08	0.09	0.00	0.42	0.41	0.00	0.00	0.32	0.00
TRMB03111	1.39	0.00	0.00	0.00	0.00	1.00	0.00	0.00	0.89	0.00
TRMB03111-S	1.00	0.06	0.03	0.00	0.11	0.80	0.00	0.00	0.11	0.00
TRMB04089_1	1.00	0.00	0.00	0.00	1.00	0.00	0.00	0.00	0.93	0.00
TRMB04089_1-S	1.00	0.02	0.00	0.00	0.01	0.96	0.00	0.00	0.11	0.00
TRMB04089_2	1.00	0.00	0.00	0.00	1.00	0.00	0.00	0.00	0.73	0.00
TRMB04089_2-S	1.00	0.10	0.00	0.00	0.15	0.75	0.00	0.00	0.00	0.00
TRMB05002	6.84	0.00	0.00	0.00	0.00	1.00	0.00	0.00	0.01	0.00
TRMB05003	1.39	0.00	0.00	0.00	0.00	1.00	0.00	0.00	0.00	0.00
TRMB05003-S	1.00	0.94	0.00	0.00	0.06	0.00	0.00	0.00	0.00	0.00
TRMB05004	21.46	0.00	0.00	0.00	1.00	0.00	0.00	0.00	0.01	0.00
TRMB05004-S	25.46	0.47	0.42	0.00	0.11	0.00	0.00	0.00	0.53	0.00
TRMB05005	5.78	0.00	0.00	0.00	1.00	0.00	0.00	0.00	0.18	0.00
TRMB05005-S	3.52	0.47	0.12	0.00	0.23	0.18	0.00	0.00	0.00	0.00
TRMB05006	1.00	0.00	0.00	0.00	1.00	0.00	0.00	0.00	0.91	0.00
TRMB05006-S	1.00	0.88	0.06	0.00	0.06	0.00	0.00	0.00	0.00	0.00
TRMB05008	1.00	0.00	0.00	0.00	1.00	0.00	0.00	0.00	0.99	0.00
TRMB05008-S	1.00	0.56	0.44	0.00	0.00	0.00	0.00	0.00	0.94	0.00
TRMB05009_1	1.00	0.00	0.00	0.00	0.00	1.00	0.00	0.00	0.42	0.00
TRMB05009_1-S	1.00	0.41	0.42	0.00	0.06	0.12	0.00	0.00	0.44	0.00
TRMB05009_2	1.00	0.00	0.00	0.00	0.26	0.73	0.00	0.00	1.00	0.00
TRMB05009_2-S	1.00	0.35	0.06	0.00	0.44	0.14	0.00	0.00	0.00	0.00
TRMB05010	7.50	0.00	0.00	0.00	0.99	0.01	0.00	0.00	1.00	0.00
TRMB05010-S	1.49	0.53	0.42	0.00	0.05	0.00	0.00	0.00	0.70	0.00
TRMB05011	4.39	0.00	0.00	0.00	0.00	1.00	0.00	0.00	0.34	0.00
TRMB05011-S	2.93	0.58	0.42	0.00	0.00	0.00	0.00	0.00	0.00	0.00
TRMB05012	1.64	0.00	0.00	0.00	1.00	0.00	0.00	0.00	0.00	0.00
TRMB05012-S	1.28	0.76	0.24	0.00	0.00	0.00	0.00	0.00	0.00	0.00
TRMB05013	62.80	0.00	0.00	0.00	0.99	0.01	0.00	0.00	1.00	0.00
TRMB05013-S	22.44	0.60	0.23	0.00	0.06	0.12	0.00	0.00	0.45	0.00
TRMB05014	9.71	0.00	0.00	0.00	0.99	0.01	0.00	0.00	1.00	0.00
TRMB05014-S	3.83	0.61	0.21	0.00	0.05	0.13	0.00	0.00	0.48	0.00

Alternative #1 (10-Year)

TRMB05015	1.00	0.00	0.00	0.00	0.31	0.69	0.00	0.00	0.00	0.00
TRMB05015-S	1.00	0.43	0.00	0.00	0.29	0.28	0.00	0.00	0.00	0.00
TRMB05016	10.61	0.00	0.00	0.00	0.99	0.01	0.00	0.00	1.00	0.00
TRMB05016-S	2.36	0.43	0.00	0.00	0.29	0.28	0.00	0.00	0.00	0.00
TRMB05017	1.56	0.00	0.00	0.00	1.00	0.00	0.00	0.00	0.06	0.00
TRMB05017-S	1.25	0.23	0.19	0.00	0.22	0.36	0.00	0.00	0.26	0.00
TRMB05018	7.13	0.00	0.02	0.00	0.98	0.00	0.00	0.00	0.98	0.00
TRMB05018-S	2.41	0.43	0.00	0.00	0.29	0.28	0.00	0.00	0.00	0.00
TRMB05019	11.08	0.00	0.00	0.00	0.00	1.00	0.00	0.00	0.00	0.00
TRMB05019-S	7.74	0.80	0.00	0.00	0.10	0.10	0.00	0.00	0.00	0.00
TRMB05020	3.71	0.00	0.00	0.00	0.97	0.03	0.00	0.00	0.99	0.00
TRMB05020-S	2.62	0.43	0.38	0.00	0.09	0.10	0.00	0.00	0.46	0.00
TRMB05021	1.00	0.00	0.00	0.00	0.74	0.26	0.00	0.00	0.99	0.00
TRMB05021-S	1.00	0.94	0.04	0.00	0.02	0.00	0.00	0.00	0.50	0.00
TRMB05022	5.95	0.00	0.02	0.00	0.98	0.00	0.00	0.00	0.00	0.00
TRMB05022-S	4.30	0.37	0.43	0.00	0.09	0.10	0.00	0.00	0.00	0.00
TRMB05023	1.00	0.00	0.00	0.00	1.00	0.00	0.00	0.00	1.00	0.00
TRMB05023-S	1.00	0.00	0.51	0.00	0.48	0.00	0.00	0.00	1.00	0.00
TRMB05025	25.30	0.00	0.00	0.00	0.80	0.20	0.00	0.00	1.00	0.00
TRMB05025-S	8.01	0.25	0.17	0.00	0.40	0.18	0.00	0.00	0.42	0.00
TRMB05026	7.07	0.00	0.00	0.00	0.00	1.00	0.00	0.00	0.99	0.00
TRMB05026-S	2.28	1.00	0.00	0.00	0.00	0.00	0.00	0.00	0.00	0.00
TRMB05027	17.75	0.00	0.00	0.00	0.77	0.23	0.00	0.00	1.00	0.00
TRMB05027-S	8.13	0.26	0.17	0.00	0.42	0.16	0.00	0.00	0.45	0.00
TRMB05028	1.00	0.00	0.00	0.00	0.05	0.95	0.00	0.00	0.00	0.00
TRMB05028-S	1.00	0.49	0.00	0.00	0.50	0.00	0.00	0.00	0.51	0.00
TRMB05029	2.49	0.00	0.00	0.00	1.00	0.00	0.00	0.00	0.08	0.00
TRMB05029-S	2.09	0.69	0.05	0.00	0.21	0.05	0.00	0.00	0.00	0.00
TRMB05030	5.97	0.00	0.00	0.00	0.98	0.02	0.00	0.00	0.97	0.00
TRMB05030-S	3.36	0.33	0.23	0.00	0.44	0.00	0.00	0.00	0.50	0.00
TRMB05031	2.21	0.00	0.00	0.00	0.98	0.02	0.00	0.00	1.00	0.00
TRMB05031-S	1.00	0.53	0.22	0.00	0.25	0.00	0.00	0.00	0.88	0.00
TRMB05032	2.55	0.00	0.00	0.00	1.00	0.00	0.00	0.00	1.00	0.00
TRMB05032-S	1.00	0.54	0.27	0.00	0.19	0.00	0.00	0.00	0.95	0.00
TRMB05033	1.53	0.00	0.00	0.00	1.00	0.00	0.00	0.00	0.00	0.00
TRMB05033-S	1.00	0.39	0.00	0.00	0.48	0.13	0.00	0.00	0.09	0.00
TRMB05034	2.47	0.00	0.25	0.00	0.20	0.56	0.00	0.00	0.01	0.00
TRMB05034-S	2.06	0.51	0.15	0.00	0.06	0.28	0.00	0.00	0.07	0.00
TRMB05035	10.07	0.00	0.00	0.00	0.00	1.00	0.00	0.00	1.00	0.00
TRMB05035-S	2.09	0.20	0.16	0.00	0.45	0.19	0.00	0.00	0.00	0.00
TRMB05036	1.34	0.00	0.00	0.00	0.00	1.00	0.00	0.00	0.00	0.00
TRMB05036-S	1.10	0.36	0.26	0.00	0.39	0.00	0.00	0.00	0.51	0.00
TRMB05037	3.97	0.00	0.00	0.00	0.62	0.38	0.00	0.00	1.00	0.00
TRMB05037-S	2.32	0.54	0.12	0.00	0.19	0.14	0.00	0.00	0.03	0.00
TRMB05038	1.54	0.00	0.00	0.00	0.00	1.00	0.00	0.00	0.00	0.00
TRMB05038-S	1.00	0.57	0.27	0.00	0.16	0.00	0.00	0.00	0.95	0.00
TRMB05039	2.08	0.00	0.00	0.00	1.00	0.00	0.00	0.00	0.23	0.00
TRMB05039-S	1.81	0.62	0.02	0.00	0.31	0.06	0.00	0.00	0.66	0.00
TRMB05040	1.00	0.00	0.00	0.00	0.64	0.36	0.00	0.00	0.89	0.00
TRMB05040-S	1.00	0.24	0.12	0.00	0.35	0.29	0.00	0.00	0.00	0.00
TRMB05041	2.28	0.00	0.00	0.00	0.75	0.25	0.00	0.00	0.60	0.00
TRMB05041-S	1.47	0.26	0.16	0.00	0.38	0.19	0.00	0.00	0.16	0.00
TRMB05042	2.30	0.00	0.00	0.00	1.00	0.00	0.00	0.00	0.00	0.00
TRMB05042-S	2.05	0.60	0.40	0.00	0.00	0.00	0.00	0.00	0.00	0.00
TRMB05044	1.00	0.00	0.00	0.00	1.00	0.00	0.00	0.00	0.98	0.00
TRMB05044-S	1.00	0.27	0.13	0.00	0.43	0.17	0.00	0.00	0.15	0.00
TRMB05045	1.00	0.00	0.00	0.00	0.00	0.00	0.00	1.00	0.00	0.00
TRMB05045-S	1.00	0.33	0.07	0.00	0.42	0.17	0.00	0.00	0.00	0.00
TRMB05046	9.99	0.01	0.00	0.00	0.00	0.99	0.00	0.00	0.99	0.00
TRMB05046-S	7.70	0.55	0.13	0.00	0.10	0.22	0.00	0.00	0.00	0.00
TRMB05048	2.45	0.01	0.00	0.00	0.98	0.00	0.00	0.01	0.67	0.00

Alternative #1 (10-Year)

 Conduit Surcharge Summary

Conduit	----- Both Ends	Hours Full Upstream	----- Dnstream	Hours Above Full Normal Flow	Hours Capacity Limited	
C2	0.01	0.01	0.01	1.66	0.01	
C2_1	23.70	23.70	23.70	0.01	0.01	
C4	0.01	0.01	0.01	0.11	0.01	
CountrySideE_Ditch_Culvert		0.01	0.01	0.01	1.57	0.01
JMTB01003	0.01	0.01	0.01	1.66	0.01	
JMTB01004	0.25	0.25	0.25	12.35	0.25	
JMTB01005	0.01	0.01	0.01	4.73	0.01	
JMTB01102	0.75	0.75	0.75	0.01	0.01	
JMTB01103	0.54	0.54	0.54	0.17	0.32	
JMTB01104	4.84	4.84	4.84	0.01	0.01	
PCTB01068	0.01	0.01	0.01	2.04	0.01	
PCTB01068_US	0.01	0.01	0.01	1.02	0.01	
PCTB02008	0.01	0.01	0.01	1.83	0.01	
PCTB02021	6.51	6.51	6.51	0.01	0.01	
PCTB02080	23.46	23.46	23.46	23.75	0.01	
PCTB02189	23.69	23.69	23.69	0.01	0.01	
PCTB02231	23.63	23.63	23.63	11.19	4.52	
PCTB02237	6.45	6.45	6.45	5.22	2.44	
PCTB02260	0.01	0.01	0.01	6.01	0.01	
PCTB02276	0.01	0.01	0.01	4.36	0.01	
PCTB02278	9.91	9.91	9.92	0.01	0.01	
PCTB02280	23.57	23.57	23.57	3.07	0.01	
PCTB02281	23.56	23.56	23.56	0.01	0.01	
PCTB02282	23.54	23.54	23.54	0.01	0.01	
PCTB02283	23.53	23.53	23.53	14.91	0.01	
PCTB02284	23.53	23.53	23.53	0.01	0.01	
PCTB02294	23.49	23.49	23.49	0.12	0.01	
PCTB02297	23.50	23.50	23.50	0.01	0.01	
PCTB02303	23.45	23.45	23.45	0.01	0.01	
PCTB02304	23.45	23.45	23.46	0.01	0.01	
PCTB02329	0.01	0.01	0.01	0.62	0.01	
TRMB02018	0.01	0.01	0.01	0.12	0.01	
TRMB02022-S	0.01	0.01	0.01	0.20	0.01	
TRMB02044_3	0.01	0.01	0.01	0.78	0.01	
TRMB02044_4	0.01	0.01	0.01	22.72	0.01	
TRMB02067	0.01	0.01	0.01	0.73	0.01	
TRMB03028	0.01	0.01	0.01	0.96	0.01	
TRMB03036	0.01	0.01	0.01	0.11	0.01	
TRMB03037	0.01	0.01	0.01	0.75	0.01	
TRMB03054	0.01	0.01	0.01	0.75	0.01	
TRMB03083	0.01	0.01	0.01	0.68	0.01	
TRMB05004	0.07	0.07	0.07	0.01	0.01	
TRMB05006	0.01	0.01	0.01	0.60	0.01	
TRMB05015	0.01	0.01	0.01	0.77	0.01	
TRMB05033	0.01	0.01	0.01	3.13	0.01	

Analysis begun on: Fri Nov 20 20:57:51 2015
 Analysis ended on: Fri Nov 20 20:58:06 2015
 Total elapsed time: 00:00:15

APPENDIX I
BMP CONCEPTUAL DESIGN

Greenville Watershed Inventory and Master Plan

Project ID: WQ-1
 Project Name: Welcome Middle School Bioretention
 Prepared by: YB
 Checked by:
 Date:

Manual Input
Referenced Input
Calculation

DRAINAGE AREA INPUT PARAMETERS

Depth of Precipitation for Design Storm (in)	1	
	Pervious	Impervious
Drainage Area (ft ²)	66,771	34,136
Subbasin CN ¹	86	98
Maximum Soil Retention, S (in)	1.63	0.20
Depth of Runoff (in)	0.20	0.79
Required Runoff Treatment Volume (ft ² *in)	13,191	26,998
Required Runoff Treatment Volume (ft ³)	1,099	2,250
Summary Calculations		
Total Subbasin Drainage Area (ac)	2.32	
Total Subbasin Drainage Area (ft ²)	100,906	
Required Treatment Volume (ft ² *in)	40,189	
Required Treatment Volume (ft ³)	3,349	
Surface Area of Welcome Middle School		
Available Bioretention Surface Area (ft ²)	7,106	
Available Bioretention Surface Area (ac)	0.163	
Percent Impervious Cover	33.8%	
Permanent Pool Average Depth ² (ft)	4.5	
Surface Area / Drainage Area Ratio ²	1.1%	
Required Surface Area (ac)	0.03	
Required Surface Area (ft ²)	1,110	
BMP Treatment Capacity		
Length of BMP (ft)	230	
Width of BMP ³ (ft)	77	
Capacity (ft ³)	79,350	

Greenville Watershed Inventory and Master Plan

Project ID: WQ-2
 Project Name: Greenfield Terrace Park Benched Wetland
 Prepared by: YB
 Checked by:
 Date:

Manual Input
Referenced Input
Calculation

DRAINAGE AREA INPUT PARAMETERS

Depth of Precipitation for Design Storm (in)	1	
	Pervious	Impervious
Drainage Area (ft ²)	2,292,647	370,567
Subbasin CN ¹	78	98
Maximum Soil Retention, S (in)	2.82	0.20
Depth of Runoff (in)	0.06	0.79
Required Runoff Treatment Volume (ft ² *in)	133,772	293,084
Required Runoff Treatment Volume (ft ³)	11,148	24,424
Summary Calculations		
Total Subbasin Drainage Area (ac)	61.14	
Total Subbasin Drainage Area (ft ²)	2,663,214	
Required Treatment Volume (ft ² *in)	426,856	
Required Treatment Volume (ft ³)	35,571	
Surface Area of Greenfield Terrace Park		
Available Surface Area (ft ²)	55,586	
Available Surface Area (ac)	1.276	
Percent Impervious Cover	13.9%	
Permanent Pool Average Depth ² (ft)	4.5	
Surface Area / Drainage Area Ratio ²	1.1%	
Required Surface Area (ac)	0.67	
Required Surface Area (ft ²)	29,295	
BMP Treatment Capacity		
Length of BMP (ft)	1100	
Width of BMP ³ (ft)	367	
Capacity (ft ³)	1,815,000	

Greenville Watershed Inventory and Master Plan

Project ID: WQ-3
 Project Name Aquatics and Fitness Center Bioretention
 Prepared by: YB
 Checked by:
 Date:

Manual Input
Referenced Input
Calculation

DRAINAGE AREA INPUT PARAMETERS

Depth of Precipitation for Design Storm (in)	1	
	Pervious	Impervious
Drainage Area (ft ²)	7,836	37,614
Subbasin CN ¹	83	98
Maximum Soil Retention, S (in)	2.05	0.20
Depth of Runoff (in)	0.13	0.79
Required Runoff Treatment Volume (ft ² *in)	1,035	29,749
Required Runoff Treatment Volume (ft ³)	86	2,479
Summary Calculations		
Total Subbasin Drainage Area (ac)	1.04	
Total Subbasin Drainage Area (ft ²)	45,450	
Required Treatment Volume (ft ² *in)	30,784	
Required Treatment Volume (ft ³)	2,565	
Surface Area of Aquatics and Fitness Center		
Available Bioretention Surface Area (ft ²)	446	
Available Bioretention Surface Area (ac)	0.010	
Percent Impervious Cover	82.8%	
Permanent Pool Average Depth ² (ft)	4.5	
Surface Area / Drainage Area Ratio ²	1.1%	
Required Surface Area (ac)	0.01	
Required Surface Area (ft ²)	500	
BMP Treatment Capacity		
Length of BMP (ft)	50	
Width of BMP ³ (ft)	17	
Capacity (ft ³)	3,750	

Greenville Watershed Inventory and Master Plan

Project ID: WQ-4
 Project Name: East Carolina Vocational Center Wet Pond
 Prepared by: YB
 Checked by:
 Date:

Manual Input
Referenced Input
Calculation

DRAINAGE AREA INPUT PARAMETERS

Depth of Precipitation for Design Storm (in)	1	
	Pervious	Impervious
Drainage Area (ft ²)	116,414	267,545
Subbasin CN ¹	83	98
Maximum Soil Retention, S (in)	2.05	0.20
Depth of Runoff (in)	0.13	0.79
Required Runoff Treatment Volume (ft ² *in)	15,377	211,603
Required Runoff Treatment Volume (ft ³)	1,281	17,634
Summary Calculations		
Total Subbasin Drainage Area (ac)	8.81	
Total Subbasin Drainage Area (ft ²)	383,959	
Required Treatment Volume (ft ² *in)	226,980	
Required Treatment Volume (ft ³)	18,915	
Surface Area of East Carolina Vocational Center		
Available Bioretention Surface Area (ft ²)	19,774	
Available Bioretention Surface Area (ac)	0.454	
Percent Impervious Cover	69.7%	
Permanent Pool Average Depth ² (ft)	4.5	
Surface Area / Drainage Area Ratio ²	1.1%	
Required Surface Area (ac)	0.10	
Required Surface Area (ft ²)	4,224	
BMP Treatment Capacity		
Length of BMP (ft)	230	
Width of BMP ³ (ft)	77	
Capacity (ft ³)	79,350	

Greenville Watershed Inventory and Master Plan

Project ID: WQ-5

Project Name Church Street Bioretention

Prepared by: YB

Checked by:

Date:

Manual Input
Referenced Input
Calculation

DRAINAGE AREA INPUT PARAMETERS

Depth of Precipitation for Design Storm (in)	1	
	Pervious	Impervious
Drainage Area (ft ²)	975,318	330,935
Subbasin CN ¹	83	98
Maximum Soil Retention, S (in)	2.05	0.20
Depth of Runoff (in)	0.13	0.79
Required Runoff Treatment Volume (ft ² *in)	128,830	261,739
Required Runoff Treatment Volume (ft ³)	10,736	21,812
Summary Calculations		
Total Subbasin Drainage Area (ac)	29.99	
Total Subbasin Drainage Area (ft ²)	1,306,254	
Required Treatment Volume (ft ² *in)	390,569	
Required Treatment Volume (ft ³)	32,547	
Surface Area of Church Street Bioretention		
Available Bioretention Surface Area (ft ²)	61	
Available Bioretention Surface Area (ac)	0.001	
Percent Impervious Cover	25.3%	
Permanent Pool Average Depth ² (ft)	4.5	
Surface Area / Drainage Area Ratio ²	1.1%	
Required Surface Area (ac)	0.33	
Required Surface Area (ft ²)	14,369	
BMP Treatment Capacity		
Length of BMP (ft)	190	
Width of BMP ³ (ft)	63	
Capacity (ft ³)	54,150	

APPENDIX J
DIGITAL COPY OF HYDRAULIC AND
HYDROLOGIC MODELS (CD INCLUDED)

APPENDIX K
STREAM ASSESSMENT

Table K-1: Parkers Creek/Johnsons Mill Run Bank Erosion Hazard Index Summary

Assessment Number	BEHI Score	BEHI Classification	Stream Reach
21	32.1	High	Parkers Creek - 6
24	29.9	High	Parkers Creek Tributary - 2
14	27.7	Moderate	Johnsons Mill Run - 1
16	25.9	Moderate	Parkers Creek - 1
18	21.4	Moderate	Parkers Creek - 3
19	27.5	Moderate	Parkers Creek - 4
20	26.3	Moderate	Parkers Creek - 5
22	28.7	Moderate	Parkers Creek - 7
23	26.4	Moderate	Parkers Creek Tributary - 1
15	18.4	Low	Johnsons Mill Run - 2
17	19	Low	Parkers Creek - 2

Worksheet 21. Summary of bank erosion hazard index (BEHI)

Stream Reach JMR-1		Bank Erosion Hazard Rating Guide					Crew
Bank Erosion Potential	Bank Height (ft): Bankfull Height (ft):	Bank Height/ Bankfull Ht	Root Depth/ Bank Height	Root Density %	Bank Angle (Degrees)	Surface Protection%	
	Value	1.0-1.1	1.0-0.9	100-80	0-20	100-80	
	Index	1.0-1.9	1.0-1.9	1.0-1.9	1.0-1.9	1.0-1.9	
	VERY LOW	Choice	V: I:	V: I:	V: I:	V: I:	
			1 1				
	Value	1.11-1.19	0.89-0.5	79-55	21-60	79-55	
	Index	2.0-3.9	2.0-3.9	2.0-3.9	2.0-3.9	2.0-3.9	
	LOW	Choice	V: I:	V: I:	V: I:	V: I:	
	Value	1.2-1.5	0.49-0.3	54-30	61-80	54-30	
	Index	4.0-5.9	4.0-5.9	4.0-5.9	4.0-5.9	4.0-5.9	
	MODERATE	Choice	V: I:	V: I:	V: I:	V: I:	
			1.2 5.9			30 5.9	
	Value	1.6-2.0	0.29-0.15	29-15	81-90	29-15	
	Index	6.0-7.9	6.0-7.9	6.0-7.9	6.0-7.9	6.0-7.9	
HIGH	Choice	V: I:	V: I:	V: I:	V: I:		
			20 7.2	85 7.7			
Value	2.1-2.8	0.14-0.05	14-5.0	91-119	14-10		
Index	8.0-9.0	8.0-9.0	8.0-9.0	8.0-9.0	8.0-9.0		
VERY HIGH	Choice	V: I:	V: I:	V: I:	V: I:		
Value	>2.8	<0.05	<5	>119	<10		
Index	10	10	10	10	10		
EXTREME	Choice	V: I:	V: I:	V: I:	V: I:		
	SUB-TOTAL (Sum one index from each column)	5.9	1	7.2	7.7	5.9	
V = value, I = index							
Bank Material Description:							
Bank Materials							
Bedrock (Bedrock banks have very low bank erosion potential)							
Boulders (Banks composed of boulders have low bank erosion potential)							
Cobble (Subtract 10 points. If sand/gravel matrix greater than 50% of bank material, then do not adjust)							
Gravel (Add 5-10 points depending percentage of bank material that is composed of sand)							
Sand (Add 10 points)							
Silt Clay (+ 0: no adjustment)							
BANK MATERIAL ADJUSTMENT							
Stratification Comments:							
Stratification							
Add 5-10 points depending on position of unstable layers in relation to bankfull stage							
STRATIFICATION ADJUSTMENT							
VERY LOW	LOW	MODERATE	HIGH	VERY HIGH	EXTREME		
5-9.5	10-19.5	20-29.5	30-39.5	40-45	46-50		
Bank location description (circle one)							
Straight Reach Outside of Bend							
GRAND TOTAL BEHI RATING						27.7	

Worksheet 21. Summary of bank erosion hazard index (BEHI)

Stream Reach JMR-2		Bank Erosion Hazard Rating Guide				Crew	
Bank Erosion Potential	Bank Height (ft): Bankfull Height (ft):	Bank Height/ Bankfull Ht	Root Depth/ Bank Height	Root Density %	Bank Angle (Degrees)	Surface Protection%	
	Value	1.0-1.1	1.0-0.9	100-80	0-20	100-80	
	Index	1.0-1.9	1.0-1.9	1.0-1.9	1.0-1.9	1.0-1.9	
	VERY LOW	Choice	V: I:	V: I:	V: I:	V: I:	V: I:
			1 1			80 1.9	
	Value	1.11-1.19	0.89-0.5	79-55	21-60	79-55	
	Index	2.0-3.9	2.0-3.9	2.0-3.9	2.0-3.9	2.0-3.9	
	LOW	Choice	V: I:	V: I:	V: I:	V: I:	V: I:
				70 3			
	Value	1.2-1.5	0.49-0.3	54-30	61-80	54-30	
	Index	4.0-5.9	4.0-5.9	4.0-5.9	4.0-5.9	4.0-5.9	
	MODERATE	Choice	V: I:	V: I:	V: I:	V: I:	V: I:
					75 5		
	Value	1.6-2.0	0.29-0.15	29-15	81-90	29-15	
	Index	6.0-7.9	6.0-7.9	6.0-7.9	6.0-7.9	6.0-7.9	
HIGH	Choice	V: I:	V: I:	V: I:	V: I:	V: I:	
		1.8 7.5					
Value	2.1-2.8	0.14-0.05	14-5.0	91-119	14-10		
Index	8.0-9.0	8.0-9.0	8.0-9.0	8.0-9.0	8.0-9.0		
VERY HIGH	Choice	V: I:	V: I:	V: I:	V: I:	V: I:	
Value	>2.8	<0.05	<5	>119	<10		
Index	10	10	10	10	10		
EXTREME	Choice	V: I:	V: I:	V: I:	V: I:	V: I:	
	SUB-TOTAL (Sum one index from each column)	7.5	1	3	5	1.9	
V = value, I = index							
Bank Material Description:							
Bank Materials							
Bedrock (Bedrock banks have very low bank erosion potential)							
Boulders (Banks composed of boulders have low bank erosion potential)							
Cobble (Subtract 10 points. If sand/gravel matrix greater than 50% of bank material, then do not adjust)							
Gravel (Add 5-10 points depending percentage of bank material that is composed of sand)							
Sand (Add 10 points)							
Silt Clay (+ 0: no adjustment)							
						BANK MATERIAL ADJUSTMENT	
Stratification Comments:							
Stratification							
Add 5-10 points depending on position of unstable layers in relation to bankfull stage							
						STRATIFICATION ADJUSTMENT	
VERY LOW	LOW	MODERATE	HIGH	VERY HIGH	EXTREME		
5-9.5	10-19.5	20-29.5	30-39.5	40-45	46-50		
Bank location description (circle one)						GRAND TOTAL BEHI RATING	18.4
Straight Reach Outside of Bend							

Worksheet 21. Summary of bank erosion hazard index (BEHI)

Stream Reach PC-1		Bank Erosion Hazard Rating Guide					Crew	
Bank Erosion Potential	Bank Height (ft): Bankfull Height (ft):	Bank Height/ Bankfull Ht	Root Depth/ Bank Height	Root Density %	Bank Angle (Degrees)	Surface Protection%		
	Value	1.0-1.1	1.0-0.9	100-80	0-20	100-80		
	Index	1.0-1.9	1.0-1.9	1.0-1.9	1.0-1.9	1.0-1.9		
	VERY LOW	Choice	V: I:	V: I:	V: I:	V: I:	V: I:	
			1 1					
	Value	1.11-1.19	0.89-0.5	79-55	21-60	79-55		
	Index	2.0-3.9	2.0-3.9	2.0-3.9	2.0-3.9	2.0-3.9		
	LOW	Choice	V: I:	V: I:	V: I:	V: I:	V: I:	
	Value	1.2-1.5	0.49-0.3	54-30	61-80	54-30		
	Index	4.0-5.9	4.0-5.9	4.0-5.9	4.0-5.9	4.0-5.9		
	MODERATE	Choice	V: I:	V: I:	V: I:	V: I:	V: I:	
			1.3 5.5		75 5	30 5.9		
	Value	1.6-2.0	0.29-0.15	29-15	81-90	29-15		
	Index	6.0-7.9	6.0-7.9	6.0-7.9	6.0-7.9	6.0-7.9		
HIGH	Choice	V: I:	V: I:	V: I:	V: I:	V: I:		
Value	2.1-2.8	0.14-0.05	14-5.0	91-119	14-10			
Index	8.0-9.0	8.0-9.0	8.0-9.0	8.0-9.0	8.0-9.0			
VERY HIGH	Choice	V: I:	V: I:	V: I:	V: I:	V: I:		
			10 8.5					
Value	>2.8	<0.05	<5	>119	<10			
Index	10	10	10	10	10			
EXTREME	Choice	V: I:	V: I:	V: I:	V: I:	V: I:		
	SUB-TOTAL (Sum one index from each column)	5.5	1	8.5	5	5.9		
V = value, I = index								
Bank Material Description:								
Bank Materials								
Bedrock (Bedrock banks have very low bank erosion potential)								
Boulders (Banks composed of boulders have low bank erosion potential)								
Cobble (Subtract 10 points. If sand/gravel matrix greater than 50% of bank material, then do not adjust)								
Gravel (Add 5-10 points depending percentage of bank material that is composed of sand)								
Sand (Add 10 points)								
Silt Clay (+ 0: no adjustment)								
BANK MATERIAL ADJUSTMENT								
Stratification Comments:								
Stratification								
Add 5-10 points depending on position of unstable layers in relation to bankfull stage								
STRATIFICATION ADJUSTMENT								
VERY LOW	LOW	MODERATE	HIGH	VERY HIGH	EXTREME			
5-9.5	10-19.5	20-29.5	30-39.5	40-45	46-50			
Bank location description (circle one)					GRAND TOTAL	25.9		
Straight Reach Outside of Bend					BEHI RATING			

Worksheet 21. Summary of bank erosion hazard index (BEHI)

Stream Reach PC-2		Bank Erosion Hazard Rating Guide					Crew
Bank Erosion Potential	Bank Height (ft): Bankfull Height (ft):	Bank Height/ Bankfull Ht	Root Depth/ Bank Height	Root Density %	Bank Angle (Degrees)	Surface Protection%	
	Value	1.0-1.1	1.0-0.9	100-80	0-20	100-80	
	Index	1.0-1.9	1.0-1.9	1.0-1.9	1.0-1.9	1.0-1.9	
	VERY LOW	Choice	V: I:	V: I:	V: I:	V: I:	V: I:
			1 1				
	Value	1.11-1.19	0.89-0.5	79-55	21-60	79-55	
	Index	2.0-3.9	2.0-3.9	2.0-3.9	2.0-3.9	2.0-3.9	
	LOW	Choice	V: I:	V: I:	V: I:	V: I:	V: I:
						65 2.9	
	Value	1.2-1.5	0.49-0.3	54-30	61-80	54-30	
	Index	4.0-5.9	4.0-5.9	4.0-5.9	4.0-5.9	4.0-5.9	
	MODERATE	Choice	V: I:	V: I:	V: I:	V: I:	V: I:
			1.5 5.9	50 4.2	75 5		
	Value	1.6-2.0	0.29-0.15	29-15	81-90	29-15	
	Index	6.0-7.9	6.0-7.9	6.0-7.9	6.0-7.9	6.0-7.9	
	HIGH	Choice	V: I:	V: I:	V: I:	V: I:	V: I:
	Value	2.1-2.8	0.14-0.05	14-5.0	91-119	14-10	
Index	8.0-9.0	8.0-9.0	8.0-9.0	8.0-9.0	8.0-9.0		
VERY HIGH	Choice	V: I:	V: I:	V: I:	V: I:	V: I:	
Value	>2.8	<0.05	<5	>119	<10		
Index	10	10	10	10	10		
EXTREME	Choice	V: I:	V: I:	V: I:	V: I:	V: I:	
	SUB-TOTAL (Sum one index from each column)	5.9	1	4.2	5	2.9	
V = value, I = index							
Bank Material Description:							
Bank Materials							
Bedrock (Bedrock banks have very low bank erosion potential)							
Boulders (Banks composed of boulders have low bank erosion potential)							
Cobble (Subtract 10 points. If sand/gravel matrix greater than 50% of bank material, then do not adjust)							
Gravel (Add 5-10 points depending percentage of bank material that is composed of sand)							
Sand (Add 10 points)							
Silt Clay (+ 0: no adjustment)							
BANK MATERIAL ADJUSTMENT							
Stratification Comments:							
Stratification							
Add 5-10 points depending on position of unstable layers in relation to bankfull stage							
STRATIFICATION ADJUSTMENT							
VERY LOW	LOW	MODERATE	HIGH	VERY HIGH	EXTREME		
5-9.5	10-19.5	20-29.5	30-39.5	40-45	46-50		
Bank location description (circle one)						GRAND TOTAL	
Straight Reach Outside of Bend						BEHI RATING	
						19	

Worksheet 21. Summary of bank erosion hazard index (BEHI)

Stream Reach PC-3		Bank Erosion Hazard Rating Guide					Crew
Bank Erosion Potential	Bank Height (ft): Bankfull Height (ft):	Bank Height/ Bankfull Ht	Root Depth/ Bank Height	Root Density %	Bank Angle (Degrees)	Surface Protection%	
	Value	1.0-1.1	1.0-0.9	100-80	0-20	100-80	
	Index	1.0-1.9	1.0-1.9	1.0-1.9	1.0-1.9	1.0-1.9	
	VERY LOW	Choice	V: I:	V: I:	V: I:	V: I:	95 1
	Value	1.11-1.19	0.89-0.5	79-55	21-60	79-55	
	Index	2.0-3.9	2.0-3.9	2.0-3.9	2.0-3.9	2.0-3.9	
	LOW	Choice	V: I:	V: I:	V: I:	V: I:	0.6 3.2
	Value	1.2-1.5	0.49-0.3	54-30	61-80	54-30	
	Index	4.0-5.9	4.0-5.9	4.0-5.9	4.0-5.9	4.0-5.9	
	MODERATE	Choice	V: I:	V: I:	V: I:	V: I:	31.3 5.8 65 4.4
	Value	1.6-2.0	0.29-0.15	29-15	81-90	29-15	
	Index	6.0-7.9	6.0-7.9	6.0-7.9	6.0-7.9	6.0-7.9	
	HIGH	Choice	V: I:	V: I:	V: I:	V: I:	1.7 7
	Value	2.1-2.8	0.14-0.05	14-5.0	91-119	14-10	
	Index	8.0-9.0	8.0-9.0	8.0-9.0	8.0-9.0	8.0-9.0	
VERY HIGH	Choice	V: I:	V: I:	V: I:	V: I:		
Value	>2.8	<0.05	<5	>119	<10		
Index	10	10	10	10	10		
EXTREME	Choice	V: I:	V: I:	V: I:	V: I:		
SUB-TOTAL (Sum one index from each column)		7	3.2	5.8	4.4	1	
V = value, I = index							
Bank Material Description:							
Bank Materials							
Bedrock (Bedrock banks have very low bank erosion potential)							
Boulders (Banks composed of boulders have low bank erosion potential)							
Cobble (Subtract 10 points. If sand/gravel matrix greater than 50% of bank material, then do not adjust)							
Gravel (Add 5-10 points depending percentage of bank material that is composed of sand)							
Sand (Add 10 points)							
Silt Clay (+ 0: no adjustment)							
BANK MATERIAL ADJUSTMENT							
Stratification Comments:							
Stratification							
Add 5-10 points depending on position of unstable layers in relation to bankfull stage							
STRATIFICATION ADJUSTMENT							
VERY LOW	LOW	MODERATE	HIGH	VERY HIGH	EXTREME		
5-9.5	10-19.5	20-29.5	30-39.5	40-45	46-50		
Bank location description (circle one)							
Straight Reach Outside of Bend							
GRAND TOTAL BEHI RATING						21.4	

Worksheet 21. Summary of bank erosion hazard index (BEHI)

Stream Reach PC-4		Bank Erosion Hazard Rating Guide				Crew	
Bank Erosion Potential	Bank Height (ft): Bankfull Height (ft):	Bank Height/ Bankfull Ht	Root Depth/ Bank Height	Root Density %	Bank Angle (Degrees)	Surface Protection%	
	Value	1.0-1.1	1.0-0.9	100-80	0-20	100-80	
	Index	1.0-1.9	1.0-1.9	1.0-1.9	1.0-1.9	1.0-1.9	
	VERY LOW	Choice	V: I:	V: I:	V: I:	V: I:	V: I:
						90	1.2
	Value	1.11-1.19	0.89-0.5	79-55	21-60	79-55	
	Index	2.0-3.9	2.0-3.9	2.0-3.9	2.0-3.9	2.0-3.9	
	LOW	Choice	V: I:	V: I:	V: I:	V: I:	V: I:
	Value	1.2-1.5	0.49-0.3	54-30	61-80	54-30	
	Index	4.0-5.9	4.0-5.9	4.0-5.9	4.0-5.9	4.0-5.9	
	MODERATE	Choice	V: I:	V: I:	V: I:	V: I:	V: I:
		1.3	5.5			78	5.7
	Value	1.6-2.0	0.29-0.15	29-15	81-90	29-15	
	Index	6.0-7.9	6.0-7.9	6.0-7.9	6.0-7.9	6.0-7.9	
HIGH	Choice	V: I:	V: I:	V: I:	V: I:	V: I:	
		0.2	7.2	15.8	7.9		
Value	2.1-2.8	0.14-0.05	14-5.0	91-119	14-10		
Index	8.0-9.0	8.0-9.0	8.0-9.0	8.0-9.0	8.0-9.0		
VERY HIGH	Choice	V: I:	V: I:	V: I:	V: I:	V: I:	
Value	>2.8	<0.05	<5	>119	<10		
Index	10	10	10	10	10		
EXTREME	Choice	V: I:	V: I:	V: I:	V: I:	V: I:	
	SUB-TOTAL (Sum one index from each column)	5.5	7.2	7.9	5.7	1.2	
V = value, I = index							
Bank Material Description:							
Bank Materials							
Bedrock (Bedrock banks have very low bank erosion potential)							
Boulders (Banks composed of boulders have low bank erosion potential)							
Cobble (Subtract 10 points. If sand/gravel matrix greater than 50% of bank material, then do not adjust)							
Gravel (Add 5-10 points depending percentage of bank material that is composed of sand)							
Sand (Add 10 points)							
Silt Clay (+ 0: no adjustment)							
						BANK MATERIAL ADJUSTMENT	
Stratification Comments:							
Stratification							
Add 5-10 points depending on position of unstable layers in relation to bankfull stage							
						STRATIFICATION ADJUSTMENT	
VERY LOW	LOW	MODERATE	HIGH	VERY HIGH	EXTREME		
5-9.5	10-19.5	20-29.5	30-39.5	40-45	46-50		
Bank location description (circle one)						GRAND TOTAL BEHI RATING	27.5
Straight Reach Outside of Bend							

Worksheet 21. Summary of bank erosion hazard index (BEHI)

Stream Reach PC-5		Bank Erosion Hazard Rating Guide				Crew	
Bank Erosion Potential	Bank Height (ft): Bankfull Height (ft):	Bank Height/ Bankfull Ht	Root Depth/ Bank Height	Root Density %	Bank Angle (Degrees)	Surface Protection%	
	Value	1.0-1.1	1.0-0.9	100-80	0-20	100-80	
	Index	1.0-1.9	1.0-1.9	1.0-1.9	1.0-1.9	1.0-1.9	
	VERY LOW	Choice	V: I:	V: I:	V: I:	V: I:	V: I:
						95	1
	Value	1.11-1.19	0.89-0.5	79-55	21-60	79-55	
	Index	2.0-3.9	2.0-3.9	2.0-3.9	2.0-3.9	2.0-3.9	
	LOW	Choice	V: I:	V: I:	V: I:	V: I:	V: I:
					60	3.9	
	Value	1.2-1.5	0.49-0.3	54-30	61-80	54-30	
	Index	4.0-5.9	4.0-5.9	4.0-5.9	4.0-5.9	4.0-5.9	
	MODERATE	Choice	V: I:	V: I:	V: I:	V: I:	V: I:
	Value	1.6-2.0	0.29-0.15	29-15	81-90	29-15	
	Index	6.0-7.9	6.0-7.9	6.0-7.9	6.0-7.9	6.0-7.9	
	HIGH	Choice	V: I:	V: I:	V: I:	V: I:	V: I:
		1.6 6	0.2 7.2				
Value	2.1-2.8	0.14-0.05	14-5.0	91-119	14-10		
Index	8.0-9.0	8.0-9.0	8.0-9.0	8.0-9.0	8.0-9.0		
VERY HIGH	Choice	V: I:	V: I:	V: I:	V: I:	V: I:	
				6.9 8.2			
Value	>2.8	<0.05	<5	>119	<10		
Index	10	10	10	10	10		
EXTREME	Choice	V: I:	V: I:	V: I:	V: I:	V: I:	
SUB-TOTAL (Sum one index from each column)		6	7.2	8.2	3.9	1	
V = value, I = index							
Bank Material Description:							
Bank Materials							
Bedrock (Bedrock banks have very low bank erosion potential)							
Boulders (Banks composed of boulders have low bank erosion potential)							
Cobble (Subtract 10 points. If sand/gravel matrix greater than 50% of bank material, then do not adjust)							
Gravel (Add 5-10 points depending percentage of bank material that is composed of sand)							
Sand (Add 10 points)							
Silt Clay (+ 0: no adjustment)							
						BANK MATERIAL ADJUSTMENT	
Stratification Comments:							
Stratification							
Add 5-10 points depending on position of unstable layers in relation to bankfull stage							
						STRATIFICATION ADJUSTMENT	
VERY LOW	LOW	MODERATE	HIGH	VERY HIGH	EXTREME		
5-9.5	10-19.5	20-29.5	30-39.5	40-45	46-50		
Bank location description (circle one)						GRAND TOTAL	26.3
Straight Reach Outside of Bend						BEHI RATING	

Worksheet 21. Summary of bank erosion hazard index (BEHI)

Stream Reach PC-6		Bank Erosion Hazard Rating Guide				Crew	
Bank Erosion Potential	Bank Height (ft): Bankfull Height (ft):	Bank Height/ Bankfull Ht	Root Depth/ Bank Height	Root Density %	Bank Angle (Degrees)	Surface Protection%	
	Value	1.0-1.1	1.0-0.9	100-80	0-20	100-80	
	Index	1.0-1.9	1.0-1.9	1.0-1.9	1.0-1.9	1.0-1.9	
	VERY LOW	Choice	V: I:	V: I:	V: I:	V: I:	V: I:
	Value	1.11-1.19	0.89-0.5	79-55	21-60	79-55	
	Index	2.0-3.9	2.0-3.9	2.0-3.9	2.0-3.9	2.0-3.9	
	LOW	Choice	V: I:	V: I:	V: I:	V: I:	V: I:
			0.6 3.2		60 3.9		
	Value	1.2-1.5	0.49-0.3	54-30	61-80	54-30	
	Index	4.0-5.9	4.0-5.9	4.0-5.9	4.0-5.9	4.0-5.9	
	MODERATE	Choice	V: I:	V: I:	V: I:	V: I:	V: I:
	Value	1.6-2.0	0.29-0.15	29-15	81-90	29-15	
	Index	6.0-7.9	6.0-7.9	6.0-7.9	6.0-7.9	6.0-7.9	
	HIGH	Choice	V: I:	V: I:	V: I:	V: I:	V: I:
						15 7.9	
Value	2.1-2.8	0.14-0.05	14-5.0	91-119	14-10		
Index	8.0-9.0	8.0-9.0	8.0-9.0	8.0-9.0	8.0-9.0		
VERY HIGH	Choice	V: I:	V: I:	V: I:	V: I:	V: I:	
		2.3 8.3		5.7 8.8			
Value	>2.8	<0.05	<5	>119	<10		
Index	10	10	10	10	10		
EXTREME	Choice	V: I:	V: I:	V: I:	V: I:	V: I:	
SUB-TOTAL (Sum one index from each column)		8.3	3.2	8.8	3.9	7.9	
V = value, I = index							
Bank Material Description:							
Bank Materials							
Bedrock (Bedrock banks have very low bank erosion potential)							
Boulders (Banks composed of boulders have low bank erosion potential)							
Cobble (Subtract 10 points. If sand/gravel matrix greater than 50% of bank material, then do not adjust)							
Gravel (Add 5-10 points depending percentage of bank material that is composed of sand)							
Sand (Add 10 points)							
Silt Clay (+ 0: no adjustment)							
						BANK MATERIAL ADJUSTMENT	
Stratification Comments:							
Stratification							
Add 5-10 points depending on position of unstable layers in relation to bankfull stage							
						STRATIFICATION ADJUSTMENT	
VERY LOW	LOW	MODERATE	HIGH	VERY HIGH	EXTREME		
5-9.5	10-19.5	20-29.5	30-39.5	40-45	46-50		
Bank location description (circle one)						GRAND TOTAL	32.1
Straight Reach Outside of Bend						BEHI RATING	

Worksheet 21. Summary of bank erosion hazard index (BEHI)

Stream Reach PC-7		Bank Erosion Hazard Rating Guide				Crew	
Bank Erosion Potential	Bank Height (ft): Bankfull Height (ft):	Bank Height/ Bankfull Ht	Root Depth/ Bank Height	Root Density %	Bank Angle (Degrees)	Surface Protection%	
	Value	1.0-1.1	1.0-0.9	100-80	0-20	100-80	
	Index	1.0-1.9	1.0-1.9	1.0-1.9	1.0-1.9	1.0-1.9	
	VERY LOW	Choice	V: I:	V: I:	V: I:	V: I:	V: I:
						90	1
	Value	1.11-1.19	0.89-0.5	79-55	21-60	79-55	
	Index	2.0-3.9	2.0-3.9	2.0-3.9	2.0-3.9	2.0-3.9	
	LOW	Choice	V: I:	V: I:	V: I:	V: I:	V: I:
					60	3.9	
	Value	1.2-1.5	0.49-0.3	54-30	61-80	54-30	
	Index	4.0-5.9	4.0-5.9	4.0-5.9	4.0-5.9	4.0-5.9	
	MODERATE	Choice	V: I:	V: I:	V: I:	V: I:	V: I:
	Value	1.6-2.0	0.29-0.15	29-15	81-90	29-15	
	Index	6.0-7.9	6.0-7.9	6.0-7.9	6.0-7.9	6.0-7.9	
	HIGH	Choice	V: I:	V: I:	V: I:	V: I:	V: I:
		1.6 6	0.16 7.8				
Value	2.1-2.8	0.14-0.05	14-5.0	91-119	14-10		
Index	8.0-9.0	8.0-9.0	8.0-9.0	8.0-9.0	8.0-9.0		
VERY HIGH	Choice	V: I:	V: I:	V: I:	V: I:	V: I:	
Value	>2.8	<0.05	<5	>119	<10		
Index	10	10	10	10	10		
EXTREME	Choice	V: I:	V: I:	V: I:	V: I:	V: I:	
			1.6	10			
SUB-TOTAL (Sum one index from each column)		6	7.8	10	3.9	1	
V = value, I = index							
Bank Material Description:							
Bank Materials							
Bedrock (Bedrock banks have very low bank erosion potential)							
Boulders (Banks composed of boulders have low bank erosion potential)							
Cobble (Subtract 10 points. If sand/gravel matrix greater than 50% of bank material, then do not adjust)							
Gravel (Add 5-10 points depending percentage of bank material that is composed of sand)							
Sand (Add 10 points)							
Silt Clay (+ 0: no adjustment)							
						BANK MATERIAL ADJUSTMENT	
Stratification Comments:							
Stratification							
Add 5-10 points depending on position of unstable layers in relation to bankfull stage							
						STRATIFICATION ADJUSTMENT	
VERY LOW	LOW	MODERATE	HIGH	VERY HIGH	EXTREME		
5-9.5	10-19.5	20-29.5	30-39.5	40-45	46-50		
Bank location description (circle one)						GRAND TOTAL	28.7
Straight Reach Outside of Bend						BEHI RATING	

Worksheet 21. Summary of bank erosion hazard index (BEHI)

Stream Reach PCT-1		Bank Erosion Hazard Rating Guide					Crew
Bank Erosion Potential	Bank Height (ft): Bankfull Height (ft):	Bank Height/ Bankfull Ht	Root Depth/ Bank Height	Root Density %	Bank Angle (Degrees)	Surface Protection%	
	Value	1.0-1.1	1.0-0.9	100-80	0-20	100-80	
	Index	1.0-1.9	1.0-1.9	1.0-1.9	1.0-1.9	1.0-1.9	
	VERY LOW	Choice	V: I:	V: I:	V: I:	V: I:	
			1 1				
	Value	1.11-1.19	0.89-0.5	79-55	21-60	79-55	
	Index	2.0-3.9	2.0-3.9	2.0-3.9	2.0-3.9	2.0-3.9	
	LOW	Choice	V: I:	V: I:	V: I:	V: I:	
					50 3.3		
	Value	1.2-1.5	0.49-0.3	54-30	61-80	54-30	
	Index	4.0-5.9	4.0-5.9	4.0-5.9	4.0-5.9	4.0-5.9	
	MODERATE	Choice	V: I:	V: I:	V: I:	V: I:	
			1.5 5.9				
	Value	1.6-2.0	0.29-0.15	29-15	81-90	29-15	
	Index	6.0-7.9	6.0-7.9	6.0-7.9	6.0-7.9	6.0-7.9	
HIGH	Choice	V: I:	V: I:	V: I:	V: I:		
					15 7.9		
Value	2.1-2.8	0.14-0.05	14-5.0	91-119	14-10		
Index	8.0-9.0	8.0-9.0	8.0-9.0	8.0-9.0	8.0-9.0		
VERY HIGH	Choice	V: I:	V: I:	V: I:	V: I:		
			10 8.3				
Value	>2.8	<0.05	<5	>119	<10		
Index	10	10	10	10	10		
EXTREME	Choice	V: I:	V: I:	V: I:	V: I:		
	SUB-TOTAL (Sum one index from each column)	5.9	1	8.3	3.3	7.9	
V = value, I = index							
Bank Material Description:							
Bank Materials							
Bedrock (Bedrock banks have very low bank erosion potential)							
Boulders (Banks composed of boulders have low bank erosion potential)							
Cobble (Subtract 10 points. If sand/gravel matrix greater than 50% of bank material, then do not adjust)							
Gravel (Add 5-10 points depending percentage of bank material that is composed of sand)							
Sand (Add 10 points)							
Silt Clay (+ 0: no adjustment)							
BANK MATERIAL ADJUSTMENT							
Stratification Comments:							
Stratification							
Add 5-10 points depending on position of unstable layers in relation to bankfull stage							
STRATIFICATION ADJUSTMENT							
VERY LOW	LOW	MODERATE	HIGH	VERY HIGH	EXTREME		
5-9.5	10-19.5	20-29.5	30-39.5	40-45	46-50		
Bank location description (circle one)					GRAND TOTAL	26.4	
Straight Reach Outside of Bend					BEHI RATING		

Worksheet 21. Summary of bank erosion hazard index (BEHI)

Stream Reach PCT-1		Bank Erosion Hazard Rating Guide				Crew	
Bank Erosion Potential	Bank Height (ft): Bankfull Height (ft):	Bank Height/ Bankfull Ht	Root Depth/ Bank Height	Root Density %	Bank Angle (Degrees)	Surface Protection%	
	Value	1.0-1.1	1.0-0.9	100-80	0-20	100-80	
	Index	1.0-1.9	1.0-1.9	1.0-1.9	1.0-1.9	1.0-1.9	
	VERY LOW	Choice	V: I:	V: I:	V: I:	V: I:	V: I:
						95	1
	Value	1.11-1.19	0.89-0.5	79-55	21-60	79-55	
	Index	2.0-3.9	2.0-3.9	2.0-3.9	2.0-3.9	2.0-3.9	
	LOW	Choice	V: I:	V: I:	V: I:	V: I:	V: I:
					53	3.4	
	Value	1.2-1.5	0.49-0.3	54-30	61-80	54-30	
	Index	4.0-5.9	4.0-5.9	4.0-5.9	4.0-5.9	4.0-5.9	
	MODERATE	Choice	V: I:	V: I:	V: I:	V: I:	V: I:
	Value	1.6-2.0	0.29-0.15	29-15	81-90	29-15	
	Index	6.0-7.9	6.0-7.9	6.0-7.9	6.0-7.9	6.0-7.9	
	HIGH	Choice	V: I:	V: I:	V: I:	V: I:	V: I:
		1.7	7				
Value	2.1-2.8	0.14-0.05	14-5.0	91-119	14-10		
Index	8.0-9.0	8.0-9.0	8.0-9.0	8.0-9.0	8.0-9.0		
VERY HIGH	Choice	V: I:	V: I:	V: I:	V: I:	V: I:	
			0.08	8.5			
Value	>2.8	<0.05	<5	>119	<10		
Index	10	10	10	10	10		
EXTREME	Choice	V: I:	V: I:	V: I:	V: I:	V: I:	
			3.3	10			
SUB-TOTAL (Sum one index from each column)		7	8.5	10	3.4	1	
V = value, I = index							
Bank Material Description:							
Bank Materials							
Bedrock (Bedrock banks have very low bank erosion potential)							
Boulders (Banks composed of boulders have low bank erosion potential)							
Cobble (Subtract 10 points. If sand/gravel matrix greater than 50% of bank material, then do not adjust)							
Gravel (Add 5-10 points depending percentage of bank material that is composed of sand)							
Sand (Add 10 points)							
Silt Clay (+ 0: no adjustment)							
						BANK MATERIAL ADJUSTMENT	
Stratification Comments:							
Stratification							
Add 5-10 points depending on position of unstable layers in relation to bankfull stage							
						STRATIFICATION ADJUSTMENT	
VERY LOW	LOW	MODERATE	HIGH	VERY HIGH	EXTREME		
5-9.5	10-19.5	20-29.5	30-39.5	40-45	46-50		
Bank location description (circle one)						GRAND TOTAL	29.9
Straight Reach Outside of Bend						BEHI RATING	

APPENDIX L
NCDOT BRIDGE INSPECTION REPORTS

NCDOT Bridge Inspections

Bridge Number	Inspection Date	Route	Across	Inspection Type
730468	10/28/2013	US 264 Ramp	Parkers Creek	Routine
730467	10/14/2013	US 13	Parkers Creek	Complete
730465	9/26/2013	US 264/US 13/NC 11 Junction	US 13/NC 11 (near Parkers Creek)	Routine
730464	9/26/2013	US 264 Eastbound	US 13/NC 11 (near Parkers Creek)	Routine
730431	10/28/2013	SR 1591	Parkers Creek	Routine
730430	8/20/2013	SR 1529	Parkers Creek	Routine
730105	9/17/2013	SR 1530	Parkers Creek	Routine
730095	11/6/2013	SR 1401	Johnsons Mill Run	Routine
730059	9/16/2013	NC 33	Parkers Creek	Routine
730050	9/27/2013	NC 33	Johnsons Mill Run	Routine



NC DEPARTMENT OF TRANSPORTATION ATTENTION
 DIVISION OF HIGHWAYS
 BRIDGE MANAGEMENT UNIT

BRIDGE INSPECTION REPORT

INSPECTION TYPE: Routine Inspection

COUNTY PITT BRIDGE NUMBER 730059 INSPECTION CYCLE 2 YRS
 ROUTE NC33 ACROSS PARKERS CREEK M.P. 0

LOCATION 0.1 SE JCT SR 1529

SUPERSTRUCTURE 2 BRLS.12X12 RCBC;67' ALONG CENTERLINE OF CULVERT

SUBSTRUCTURE _____

SPANS _____

LONGITUDE 77° 21' 48.09" LATITUDE 35° 38' 29.33"

INSPECTION DATE 09/03/2013 PRESENT CONDITION GOOD

PRESENT POSTING N **NOT POSTED** PROPOSED POSTING _____

OTHER SIGNS PRESENT NONE



LOOKING EAST

Fracture Critical	<u>No</u>
Temporary Shoring	<u>No</u>
Scour Critical	<u>No</u>
Scour POA	<u>No</u>

SIGN NOTICE ISSUED FOR	NUMBERED REQUIRED
<u>No</u> WEIGHT LIMIT	_____
<u>No</u> DELINEATORS	_____
<u>No</u> NARROW BRIDGE	_____
<u>No</u> ONE LANE BRIDGE	_____
<u>No</u> LOW CLEARANCE	_____

NATIONAL BRIDGE INVENTORY----- STRUCTURE INVENTORY AND APPRAISAL

Run Date: 09/16/2013

IDENTIFICATION

(1) STATE NAME -NORTH CAROLINA BRIDGE **730059**
 (8) STRUCTURE NUMBER(FEDERAL) 000000001470059
 (5) INVENTORY ROUTE (ON/UNDER) - ON 31000330
 (2) STATE HIGHWAY DEPARTMENT DISTRICT 1
 (3) COUNTY CODE 147 (4) PLACE CODE 28080
 (6) FEATURE INTERSECTED - PARKERS CREEK
 (7) FACILITY CARRIED NC33
 (9) LOCATION 0.1 SE JCT SR 1529
 (11) MILEPOINT 0
 (16) LAT 35° 38' 29.33" (17) LONG 77° 21' 48.09"
 (98) BORDER BRIDGE STATE CODE PCT SHARE
 (99) BORDER BRIDGE STRUCTURE NO

SUFFICIENCY RATING = 98.77
 STATUS = Not Deficient

CLASSIFICATION CODE

(112) NBIS BRIDGE SYSTEM - YES
 (104) HIGHWAY SYSTEM Is not on NHS 0
 (26) FUNCTIONAL CLASS - Minor Arterial 16
 (100) STRAHNET HIGHWAY - Not a STRAHNET Route 0
 (101) PARALLEL STRUCTURE - No Parallel Structure N
 (102) DIRECTION OF TRAFFIC - 2-way Traffic 2
 (103) TEMPORARY STRUCTURE -
 (110) DESIGNATED NATIONAL NETWORK - On the National Network 1
 (20) TOLL On Free Road 3
 (31) MAINTAIN - State Highway Agency 01
 (22) OWNER - State Highway Agency 01
 (37) HISTORICAL SIGNIFICANCE - Not Eligible 5

STRUCTURE TYPE AND MATERIAL

(43) STRUCTURE TYPE MAIN: Concrete continuous
 TYPE - Culverts (includes frame culverts) CODE 219
 (44) STRUCTURE TYPE APPR :
 TYPE - CODE 000
 (45) NUMBER OF SPANS IN MAIN UNIT 2
 (46) NUMBER OF APPROACH SPANS
 (107) DECK STRUCTURE TYPE - N CODE
 (108) WEARING SURFACE / PROTECTIVE SYSTEM :
 (A) TYPE OF WEARING SURFACE - CODE
 (B) TYPE OF MEMBRANE - CODE
 (C) TYPE OF DECK PROTECTION - CODE

CONDITION CODE

(58) DECK N
 (59) SUPERSTRUCTURE N
 (60) SUBSTRUCTURE N
 (61) CHANNEL & CHANNEL PROTECTION 5
 (62) CULVERTS 7

LOAD RATING AND POSTING CODE

(31) DESIGN LOAD HS 20 + MOD 6
 (63) OPERATING RATING METHOD - Load and Resistance Factor 3
 (64) OPERATING RATING - HS-41 74
 (65) INVENTORY RATING METHOD - Load and Resistance Factor 3
 (66) INVENTORY RATING - HS-32 57
 (70) BRIDGE POSTING - No Posting Required 5
 (41) STRUCTURE OPEN, POSTED ,OR CLOSED A
 DESCRIPTION - Open, No Restriction

AGE AND SERVICE

(27) YEAR BUILT 1997
 (106) YEAR RECONSTRUCTED
 (42) TYPE OF SERVICE : ON - Highway
 UNDER - Waterway CODE 15
 (28) LANES: ON STRUCTURE 2 UNDER STRUCTURE 0
 (29) AVERAGE DAILY TRAFFIC 4100
 (30) YEAR OF ADT 2012 (109) TRUCK ADT PCT 6%
 (19) BYPASS OR DETOUR LENGTH 4 MI

APPRAISAL CODE

(67) STRUCTURAL EVALUATION 7
 (68) DECK GEOMETRY N
 (69) UNDERCLEARANCES, VERTI & HORIZ N
 (71) WATERWAY ADEQUACY 7
 (72) APPROACH ROADWAY ALIGNMENT 8
 (36) TRAFFIC SAFETY FEATURES NNNN
 (113) SCOUR CRITICAL BRIDGES 8

GEOMETRIC DATA

(48) LENGTH OF MAXIMUM SPAN 12 FT
 (49) STRUCTURE LENGTH 28 FT
 (50) CURB OR SIDEWALK: LEFT 0 FT RIGHT 0 FT
 (51) BRIDGE ROADWAY WIDTH CURB TO CURB 0 FT
 (52) DECK WIDTH OUT TO OUT 0 FT
 (32) APPROACH ROADWAY WIDTH (W/SHOULDERS) 32 FT
 (33) BRIDGE MEDIAN - No Median CODE 0
 (34) SKEW 20° (35) STRUCTURE FLARED 0
 (10) INVENTORY ROUTE MIN VERT CLEAR 999.9 FT
 (47) INVENTORY ROUTE TOTAL HORIZ CLEAR 31.7 FT
 (53) MIN VERT CLEAR OVER BRIDGE RDWY 999.9 FT
 (54) MIN VERT UNDERCLEAR REF Not a Highway or Railroad 0 FT
 (55) MIN LAT UNDERCLEAR RT REF Not a Highway or Railroad 000 FT
 (56) MIN LAT UNDERCLEAR LT REF - 000 FT

PROPOSED IMPROVEMENTS CODE

(75) TYPE OF WORK - CODE
 (76) LENGTH OF STRUCTURE IMPROVEMENT
 (94) BRIDGE IMPROVEMENT COST
 (95) ROADWAY IMPROVEMENT COST
 (96) TOTAL PROJECT COST
 (97) YEAR OF IMPROVEMENT COST ESTIMATE
 (114) FUTURE ADT 8200 (115) YEAR FUTURE ADT 2025

INSPECTIONS

(90) INSPECTION DATE 09/03/2013
 (92) CRITICAL FEATURE INSPECTION : (93) CFI DATE
 A) FRACTURE CRIT DETAIL - NO A)
 B) UNDERWATER INSP - NO B)
 C) OTHER SPECIAL INSP NO C)
 SCOUR

NAVIGATION DATA

(38) NAVIGATION CONTROL - No Navigational Control CODE 0
 (111) PIER PROTECTION - CODE
 (39) NAVIGATION VERTICAL CLEARANCE 0
 (116) VERT - LIFT BRIDGE NAV MIN VERT CLEAR FT
 (40) NAVIGATION HORIZONTAL CLEARANCE 0 FT

BRIDGE MANAGEMENT UNIT

DATA ON EXISTING STRUCTURE

Run Date: 09/16/2013

COUNTY : PITT DIVISION : 2 DISTRICT : 1 STRUCTURE NUMBER : 730059 LENGTH : 28 FEET

ROUTE CARRIED : NC33 FEATURE INTERSECTED : PARKERS CREEK

LOCATED : 0.1 SE JCT SR 1529 BRIDGE NAME : CITY : *GREENVILLE

FUNC. CLASS : 16 SYST.ON : FA SYST.UNDER : NFA ADT & YR : 4100 2012 RAIL TYPE : LT 0 RT 0

BUILT : 1997 BY : DOH PROJ : 8.1221601 FED.AID PROJ : BRSTP332 DESIGN LOAD : HS 20 + MOD

REHAB : BY : PROJ : ALIGNMENT : TAN. SKEW : 70 LANES : ON 2 UNDER 0

NAVIGATION : VC 0 FT HC 0 FT HT. CRN. TO BED : 18 FT WATER DEPTH : 2 FT

SUPERSTRUCTURE : 2 BRLS.12X12 RCBC;67' ALONG CENTERLINE OF CULVERT

SUBSTRUCTURE :

SPANS :

BEAMS OR GIRDERS :

FLOOR : ENCROACHMENT : DECK (OUT TO OUT) : 0 FT

CLEAR ROADWAY : 0 FT BETWEEN RAILS : 0 FT SIDEWALK OR CURB : LT 0 FT RT 0 FT

VERT.CL.OVER : 999.9 FT

INV.RTG. : HS-32 OPE.RTG. : HS-41 CONTR.MEMBER : RCBC POSTED : SV TTST DATE 01/15/1999

SYSTEM : Primary N.C. Route GREEN LINE ROUTE : N

UNDER ROUTES AND CLEARANCES

REMARKS :

BRIDGE INSPECTION RECORD AND SUMMARY (R. C. BOX CULVERTS)

 INSPECTION TYPE Routine Inspection
 BRIDGE NO. 730059

ROUTE NC33

INSPECTION DATE 09/03/2013

ROUTE ORIENTATION W - E
OVER PARKERS CREEK
EVALUATION CODES: CRITICAL (C, 0 - 3); POOR (P, 4); FAIR (F, 5, 6); GOOD (G, 7 - 9)

1. Top Slab		G
2. Bottom Slab		
3. Ext. & Int. Walls		G
4. Wingwalls - Retaining Walls		G
5. Headwalls, Toewalls, Flumes		G
6. Structure Alignment - Settlement		G
7. Drainage Systems (On Structure)		G
8. Channel & Channel Protection	a. Waterway	F
	b. Alignment	F
	c. Scour	G
	d. Slope Prot. (Rip-Rap, Dikes, etc.)	
9. Approach Roadway Condition		F
10. Estimated Remaining Life		48
11. Channel & Channel Protection	Item 61	5
12. Culvert & Retaining Walls	Item 62	7
13. Waterway Adequacy	Item 71	7
14. Approach Roadway	Item 72	8
15. Field Scour Evaluation		B
16. Presently Posted		NO
17. Regulatory Sign Notice Issued		NO
18. Prompt Action Notice Issued		NO
19. Total Field Inspection Time		8
20. Inspected By		<i>B G Lattin</i>

Bridge I&A Form 1(82)H		<h1 style="margin: 0;">FIELD INSPECTION REPORT</h1> <h2 style="margin: 0;"><u>Bridge Inspection & Analysis</u></h2>	
State of North Carolina Dept. of Transportation Division of Highways			
Team Leader BG LITTLETON, JR.			
Assisted By PD IPOCK			
Item No.	Grade		
8a	F	(WATERWAY) DRIFT PILE ACROSS THE WATERWAY DOWNSTREAM. (PHOTO)	
8b	F	BARREL 2 BLOCKED WITH SILT & VEGETATION. (PHOTO) (CHANNEL ALIGNMENT) MAIN FLOW OF STREAM IS TO THE NW WINGWALL WITH LOCAL SCOUR OF 1'.	
8c	G	(SCOUR) LOCAL SCOUR STABLE ALONG THE TOE OF THE NW WINGWALL TO 1' DUE TO ALIGNMENT IS STABLE @ TIME OF INSPECTION.	
9	F	(APPROACH ROADWAY) CRACKS & RUTTING IN THE WEARING SURFACE. (PHOTO)	
1	G	(TOP SLAB) H/L CRACKS WITH EFFLORESCENCE IN THE TOP SLAB OF BARREL 2, SEGMENT 2 @ THE LIFTING PLUG.	
3	G	(BOTTOM SLABS) NOT VISIBLE. (INT. & EXT. WALLS) EAST INTERIOR WALL OF BARREL 1 @ SEGMENT 1; SURFACE SPALLS WITH EXPOSED STEEL. SIMILAR AREAS IN BARREL 1 @ THE WEST EXT. WALL @ SEGMENT 4 & EAST INT. WALL OF SEG. 7. VERTICAL CRACK WITH EFFLORESCENCE IN THE WEST INTERIOR WALL OF BARREL 2 @ SEGMENT 2. H/L TO 1/8" VERTICAL CRACK IN THE EAST EXTERIOR WALL OF BARREL 2, SEGMENT 1.	
5	G	(HEADWALLS) NO NOTEWORTHY PROBLEMS.	
6	G	(STRUCTURE ALIGNMENT) SEGMENTS MISALIGNED THRU BARRELS 1 & 2.	
16	NO	(PRESENT POSTING) NOT POSTED.	

BRIDGE INSPECTOR'S RECOMMENDATION FOR MAINTENANCE REPAIRS

Bridge: 730059

County PITT

Date: 09/03/2013

These Repairs Should Be Made Within Twelve Months From Date Of This Inspection

MMS Code	Description of Function	Unit	Quantity	Remarks	Est. Cost
3366	Drift and Debris Removal	HR	200	DRIFT PILE ACROSS THE WATERWAY DOWNSTREAM. SILT IN BARREL #2.	
3370	Maintenance and Repair of NBIS Pipes and Culverts	LF	67	CRACKS & SPALLS IN BARREL 1 & 2.	

Key



Priority Maintenance Item



Critical Finding Item



Priority Maintenance Level Not Determined



CRACKS & RUTTING IN THE WEARING SURFACE.



DRIFT PILE ACROSS THE WATERWAY DOWNSTREAM.



BARREL 2 BLOCKED WITH SILT & VEGETATION.

Bridge Inspection Field Sketch



RESURFACED 2009

Roadway	21.417ft Wide	2 Paved Lanes	Looking East
Left Shoulder	9ft Wide	5ft Paved	4ft Unpaved
Right Shoulder	9.083ft Wide	5.25ft Paved	3.833ft Unpaved
Left Guardrail	4ft from road		
Right Guardrail	3.833ft from road		

VERIFIED BY; PD IPOCK, 9-3-2013.

Title

APPROACH ROADWAY/ WEST APPROACH

Description

LOOKING EAST, NC 33

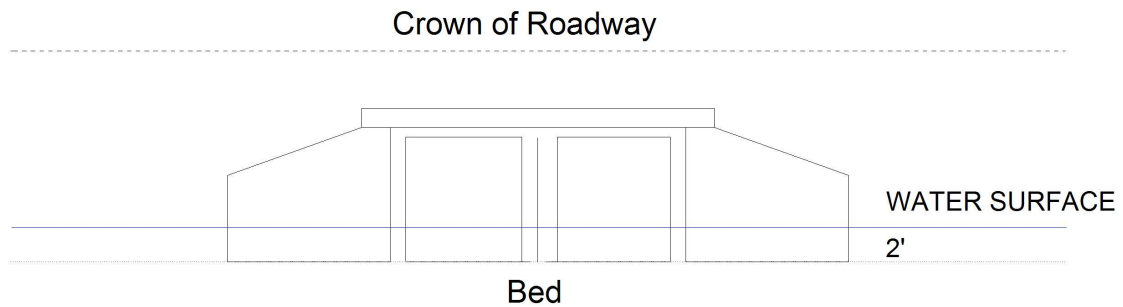
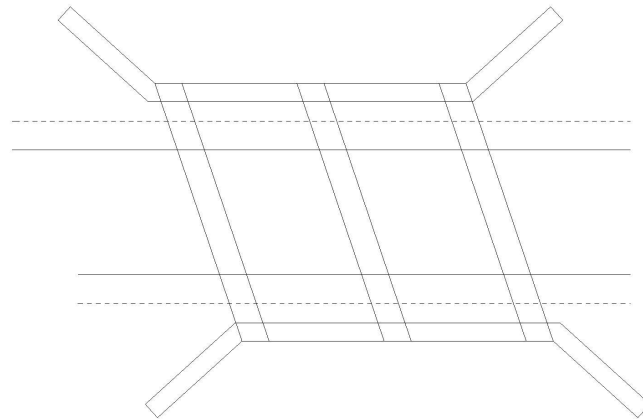
Bridge No: 730059

Drawn By: P.D. IPOCK

Date: 9-12-2011

File Name: T0046000019

Bridge Inspection Field Sketch



Number of Barrels	Skew	Distance From Crown to Bed
2	70°	18ft
Length Along Center Line of Culvert	Length Along Center Line of Roadway	
67ft	27.5ft	

Barrel #	Width	Height	Wall Thickness	Scour at Inlet	Scour at Outlet
1	12ft	12ft		0	0
2	12ft	12ft	1.5ft	1' STABLE	0

VERIFIED BY; PD IPOCK, 9-3-2013.

Title 730059 STRUCTURE	Description DOUBLE RCBC.
----------------------------------	------------------------------------

Bridge No: 730059	Drawn By: P.D. IPOCK	Date: 9-12-2011	File Name: S0050002812
-------------------	----------------------	-----------------	------------------------



LOOKING EAST



UPSTREAM NORTH



DOWNSTREAM SOUTH



LOOKING WEST, SR1530.



NORTH END, LOOKING SOUTH.



NC DEPARTMENT OF TRANSPORTATION ATTENTION
 DIVISION OF HIGHWAYS
 BRIDGE MANAGEMENT UNIT

BRIDGE INSPECTION REPORT

INSPECTION TYPE: Routine Inspection

COUNTY PITT BRIDGE NUMBER 730105 INSPECTION CYCLE 2 YRS
 ROUTE SR1530 ACROSS PARKERS CREEK M.P. 0

LOCATION 1.2 MI SE JCT SR1531

SUPERSTRUCTURE TRIPLE 14'X12'RCBC;60'ALONG CENTERLINE CULVERT

SUBSTRUCTURE _____

SPANS _____

LONGITUDE 77° 21' 11.05" LATITUDE 35° 37' 38.86"

INSPECTION DATE 09/03/2013 PRESENT CONDITION GOOD

PRESENT POSTING N **NOT POSTED** PROPOSED POSTING _____

OTHER SIGNS PRESENT NONE



LOOKING EAST

Fracture Critical	<u>No</u>
Temporary Shoring	<u>No</u>
Scour Critical	<u>No</u>
Scour POA	<u>No</u>

SIGN NOTICE ISSUED FOR	NUMBERED REQUIRED
<u>No</u> WEIGHT LIMIT	_____
<u>No</u> DELINEATORS	_____
<u>No</u> NARROW BRIDGE	_____
<u>No</u> ONE LANE BRIDGE	_____
<u>No</u> LOW CLEARANCE	_____

NATIONAL BRIDGE INVENTORY----- STRUCTURE INVENTORY AND APPRAISAL

Run Date: 09/17/2013

IDENTIFICATION

(1) STATE NAME -NORTH CAROLINA BRIDGE **730105**
 (8) STRUCTURE NUMBER(FEDERAL) 000000001470105
 (5) INVENTORY ROUTE (ON/UNDER) - ON 31015300
 (2) STATE HIGHWAY DEPARTMENT DISTRICT 1
 (3) COUNTY CODE 147 (4) PLACE CODE 28080
 (6) FEATURE INTERSECTED - PARKERS CREEK
 (7) FACILITY CARRIED SR1530
 (9) LOCATION 1.2 MI SE JCT SR1531
 (11)MILEPOINT 0
 (16)LAT 35° 37' 38.86" (17)LONG 77° 21' 11.05"
 (98)BORDER BRIDGE STATE CODE PCT SHARE
 (99)BORDER BRIDGE STRUCTURE NO

SUFFICIENCY RATING = 97.87
 STATUS = Not Deficient

CLASSIFICATION CODE

(112)NBIS BRIDGE SYSTEM - YES
 (104)HIGHWAY SYSTEM Is not on NHS 0
 (26) FUNCTIONAL CLASS - Minor Arterial 16
 (100)STRAHNET HIGHWAY - Not a STRAHNET Route 0
 (101)PARALLEL STRUCTURE - No Parallel Structure N
 (102)DIRECTION OF TRAFFIC - 2-way Traffic 2
 (103)TEMPORARY STRUCTURE -
 (110)DESIGNATED NATIONAL NETWORK - Not on the National Network 0
 (20) TOLL On Free Road 3
 (31) MAINTAIN - State Highway Agency 01
 (22) OWNER - State Highway Agency 01
 (37) HISTORICAL SIGNIFICANCE - Not Eligible 5

STRUCTURE TYPE AND MATERIAL

(43) STRUCTURE TYPE MAIN: Concrete continuous
 TYPE - Culverts (includes frame culverts) CODE 219
 (44) STRUCTURE TYPE APPR :
 TYPE - CODE 000
 (45) NUMBER OF SPANS IN MAIN UNIT 3
 (46) NUMBER OF APPROACH SPANS
 (107)DECK STRUCTURE TYPE - N CODE
 (108)WEARING SURFACE / PROTECTIVE SYSTEM :
 (A) TYPE OF WEARING SURFACE - CODE
 (B) TYPE OF MEMBRANE - CODE
 (C) TYPE OF DECK PROTECTION - CODE

CONDITION CODE

(58) DECK N
 (59) SUPERSTRUCTURE N
 (60) SUBSTRUCTURE N
 (61) CHANNEL & CHANNEL PROTECTION 6
 (62) CULVERTS 7

LOAD RATING AND POSTING CODE

(31) DESIGN LOAD HS 20 + MOD 6
 (63) OPERATING RATING METHOD - Load and Resistance Factor 3
 (64) OPERATING RATING - HS-33 59
 (65) INVENTORY RATING METHOD - Load and Resistance Factor 3
 (66) INVENTORY RATING - HS-26 46
 (70) BRIDGE POSTING - No Posting Required 5
 (41) STRUCTURE OPEN, POSTED ,OR CLOSED A
 DESCRIPTION - Open, No Restriction

AGE AND SERVICE

(27) YEAR BUILT 1994
 (106)YEAR RECONSTRUCTED
 (42) TYPE OF SERVICE : ON - Highway
 UNDER - Waterway CODE 15
 (28) LANES: ON STRUCTURE 2 UNDER STRUCTURE 0
 (29) AVERAGE DAILY TRAFFIC 7100
 (30) YEAR OF ADT 2012 (109) TRUCK ADT PCT 6%
 (19) BYPASS OR DETOUR LENGTH 4 MI

APPRAISAL CODE

(67) STRUCTURAL EVALUATION 7
 (68) DECK GEOMETRY N
 (69) UNDERCLEARANCES,VERTI & HORIZ N
 (71) WATERWAY ADEQUACY 7
 (72) APPROACH ROADWAY ALIGNMENT 8
 (36) TRAFFIC SAFETY FEATURES NNNN
 (113)SCOUR CRITICAL BRIDGES 8

GEOMETRIC DATA

(48) LENGTH OF MAXIMUM SPAN 14 FT
 (49) STRUCTURE LENGTH 44 FT
 (50)CURB OR SIDEWALK: LEFT 0 FT RIGHT 0 FT
 (51) BRIDGE ROADWAY WIDTH CURB TO CURB 0 FT
 (52) DECK WIDTH OUT TO OUT 0 FT
 (32) APPROACH ROADWAY WIDTH (W/SHOULDERS) 24 FT
 (33) BRIDGE MEDIAN - No Median CODE 0
 (34) SKEW 15° (35) STRUCTURE FLARED 0
 (10) INVENTORY ROUTE MIN VERT CLEAR 999.9 FT
 (47) INVENTORY ROUTE TOTAL HORIZ CLEAR 24.3 FT
 (53) MIN VERT CLEAR OVER BRIDGE RDWY 999.9 FT
 (54) MIN VERT UNDERCLEAR REF Not a Highway or Railroad 0 FT
 (55) MIN LAT UNDERCLEAR RT REF Not a Highway or Railroad 000 FT
 (56) MIN LAT UNDERCLEAR LT REF - 000 FT

PROPOSED IMPROVEMENTS

(75) TYPE OF WORK - CODE
 (76) LENGTH OF STRUCTURE IMPROVEMENT
 (94) BRIDGE IMPROVEMENT COST
 (95) ROADWAY IMPROVEMENT COST
 (96) TOTAL PROJECT COST
 (97) YEAR OF IMPROVEMENT COST ESTIMATE
 (114)FUTURE ADT 14200 (115) YEAR FUTURE ADT 2025

INSPECTIONS

(90) INSPECTION DATE 09/03/2013
 (92) CRITICAL FEATURE INSPECTION : (93) CFI DATE
 A) FRACTURE CRIT DETAIL - NO A)
 B) UNDERWATER INSP - NO B)
 C) OTHER SPECIAL INSP NO C)
 SCOUR

NAVIGATION DATA

(38) NAVIGATION CONTROL - No Navigational Control CODE 0
 (111)PIER PROTECTION - CODE
 (39) NAVIGATION VERTICAL CLEARANCE 0
 (116)VERT - LIFT BRIDGE NAV MIN VERT CLEAR FT
 (40) NAVIGATION HORIZONTAL CLEARANCE 0 FT

BRIDGE MANAGEMENT UNIT

DATA ON EXISTING STRUCTURE

Run Date: 09/17/2013

COUNTY : PITT DIVISION : 2 DISTRICT : 1 STRUCTURE NUMBER : 730105 LENGTH : 44 FEET

ROUTE CARRIED : SR1530 FEATURE INTERSECTED : PARKERS CREEK

LOCATED : 1.2 MI SE JCT SR1531 BRIDGE NAME : CITY : * GREENVILLE

FUNC. CLASS : 16 SYST.ON : FA SYST.UNDER : NFA ADT & YR : 7100 2012 RAIL TYPE : LT 0 RT 0

BUILT : 1994 BY : POC PROJ : 6.503289 FED.AID PROJ : DESIGN LOAD : HS 20 + MOD

REHAB : BY : PROJ : ALIGNMENT : TAN SKEW : 75 LANES : ON 2 UNDER 0

NAVIGATION : VC 0 FT HC 0 FT HT. CRN. TO BED : 17 FT WATER DEPTH : 2 FT

SUPERSTRUCTURE : TRIPLE 14'X12'RCBC;60'ALONG CENTERLINE CULVERT

SUBSTRUCTURE :

SPANS :

BEAMS OR GIRDERS :

FLOOR : ENCROACHMENT : DECK (OUT TO OUT) : 0 FT

CLEAR ROADWAY : 0 FT BETWEEN RAILS : 0 FT SIDEWALK OR CURB : LT 0 FT RT 0 FT

VERT.CL.OVER : 999.9 FT

INV.RTG. : HS-26 OPE.RTG. : HS-33 CONTR.MEMBER : RCBC POSTED : SV TTST DATE 10/06/1994

SYSTEM : Secondary S.R. Route GREEN LINE ROUTE : N

UNDER ROUTES AND CLEARANCES

REMARKS :

BRIDGE INSPECTION RECORD AND SUMMARY (R. C. BOX CULVERTS)

 INSPECTION TYPE Routine Inspection
 BRIDGE NO. 730105

ROUTE SR1530

INSPECTION DATE 09/03/2013

 ROUTE ORIENTATION W - E
 OVER PARKERS CREEK

EVALUATION CODES: CRITICAL (C, 0 - 3); POOR (P, 4); FAIR (F, 5, 6); GOOD (G, 7 - 9)

1. Top Slab		G
2. Bottom Slab		
3. Ext. & Int. Walls		G
4. Wingwalls - Retaining Walls		G
5. Headwalls, Toewalls, Flumes		G
6. Structure Alignment - Settlement		G
7. Drainage Systems (On Structure)		G
8. Channel & Channel Protection	a. Waterway	F
	b. Alignment	G
	c. Scour	G
	d. Slope Prot. (Rip-Rap, Dikes, etc.)	
9. Approach Roadway Condition		G
10. Estimated Remaining Life		50
11. Channel & Channel Protection	Item 61	6
12. Culvert & Retaining Walls	Item 62	7
13. Waterway Adequacy	Item 71	7
14. Approach Roadway	Item 72	8
15. Field Scour Evaluation		G
16. Presently Posted		NO
17. Regulatory Sign Notice Issued		NO
18. Prompt Action Notice Issued		NO
19. Total Field Inspection Time		8
20. Inspected By		<i>B. Colletty</i>

Bridge I&A Form 1(82)H		FIELD INSPECTION REPORT <u>Bridge Inspection & Analysis</u>	
State of North Carolina Dept. of Transportation Division of Highways			
Team Leader BG LITTLETON, JR.			
Assisted By PD IPOCK			
Item No.	Grade		
8a	F	(WATERWAY)	
		DRIFT @ THE NORTH END OF THE INTERIOR WALLS. (PHOTO)	
8c	G	(SCOUR)	
		NO NOTEWORTHY PROBLEMS @ TIME OF INSPECTION.	
9	G	(APPROACH ROADWAY)	
		NO NOTEWORTHY PROBLEMS.	
1	G	(TOP SLAB)	
		TRANSVERSE CRACK IN THE TOP SLAB OF BARREL 1 NEAR C/L. SIMILAR IN BARREL 2.	
		(BOTTOM SLABS)	
		NOT VISIBLE.	
3	G	(INT. & EXT. WALLS)	
		VERTICAL CRACK WITH EFFLORESCENCE IN THE WEST EXT. WALL OF BARREL 1 NEAR C/L.	
4	G	(WINGWALLS)	
		NO NOTEWORTHY PROBLEMS.	
5	G	(HEADWALLS)	
		NO NOTEWORTHY PROBLEMS.	
16	NO	(PRESENT POSTING)	
		NOT POSTED.	

BRIDGE INSPECTOR'S RECOMMENDATION FOR MAINTENANCE REPAIRS

Bridge: 730105

County PITT

Date: 09/03/2013

These Repairs Should Be Made Within Twelve Months From Date Of This Inspection

MMS Code	Description of Function	Unit	Quantity	Remarks	Est. Cost
3366	Drift and Debris Removal	HR	40	DRIFT @ THE NORTH END.	
3370	Maintenance and Repair of NBIS Pipes and Culverts	LF	16	JOINT MATERIAL MISSING @ ALL CORNERS.	

Key



Priority Maintenance Item



Critical Finding Item



Priority Maintenance Level Not Determined



DRIFT @ THE NORTH END OF THE INTERIOR WALLS.



JOINT MATERIAL MISSING @ THE NE CORNER. SIMILAR @ ALL CORNERS.

Bridge Inspection Field Sketch



RESURFACED 2013

Roadway	18ft Wide	2 Paved Lanes	Looking East
Left Shoulder	6.083ft Wide	1.333ft Paved	4.75ft Unpaved
Right Shoulder	11.417ft Wide	5ft Paved	6.417ft Unpaved
Left Guardrail	4.75ft from road		
Right Guardrail	6.417ft from road		

VERIFIED BY; PD IPOCK, 9-3-2013.

Title

APPROACH ROADWAY/ WEST APPROACH

Description

LOOKING EAST, SR-1530

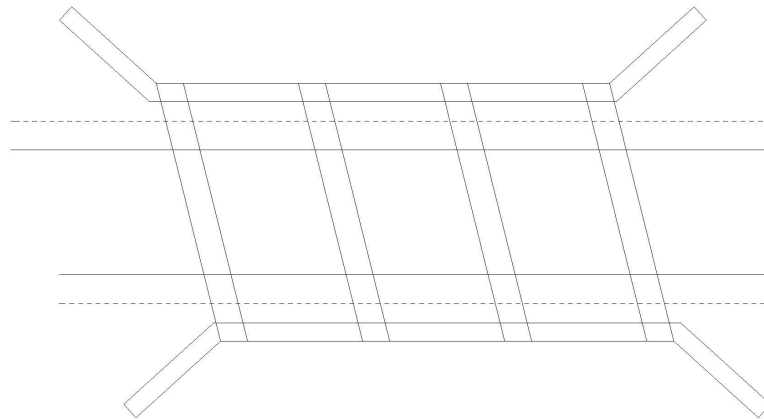
Bridge No: 730105

Drawn By: P.D. IPOCK

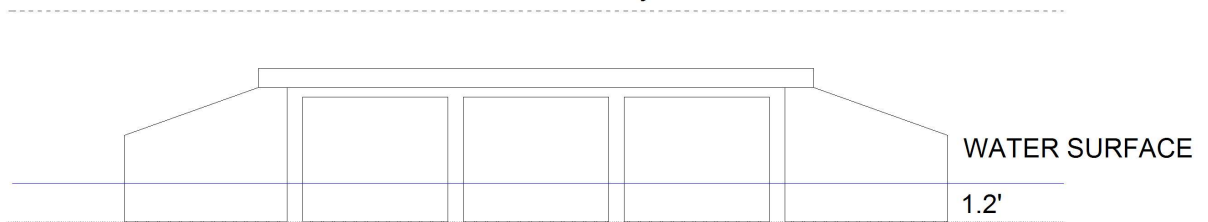
Date: 9-12-2011

File Name: S0046000020

Bridge Inspection Field Sketch



Crown of Roadway



Bed

Number of Barrels	Skew	Distance From Crown to Bed
3	75°	17ft
Length Along Center Line of Culvert		Length Along Center Line of Roadway
60ft		44ft

Barrel #	Width	Height	Wall Thickness	Scour at Inlet	Scour at Outlet
1	14ft	12ft		0	0
2	14ft	12ft	0.667ft	0	0
3	14ft	12ft	0.667ft	0	0

VERIFIED BY; PD IPOCK, 9-3-2013.

Title
730105 STRUCTURE

Description
TRIPLE RCBC.

Bridge No: 730105

Drawn By: P.D. IPOCK

Date: 9-12-2011

File Name: S0050002811



LOOKING EAST



UPSTREAM NORTH



LOOKING WEST, SR 1530.



DOWNSTREAM SOUTH



SOUTH END



NORTH END, LOOKING WEST.



NC DEPARTMENT OF TRANSPORTATION
 DIVISION OF HIGHWAYS
 BRIDGE MANAGEMENT UNIT

ATTENTION

TEMPORARY REPAIR TO P-6 @ EBT.2.

BRIDGE INSPECTION REPORT

INSPECTION TYPE: Routine Inspection

COUNTY PITT BRIDGE NUMBER 730430 INSPECTION CYCLE 2 YRS
 ROUTE SR1529 ACROSS PARKERS CREEK M.P. 0

LOCATION 0.1 MI SW JCT SR 1591

SUPERSTRUCTURE RC FLOOR/TIMBER JOISTS (STD.BMD-10)

SUBSTRUCTURE E.BTS&INT.BTS:TIMBER CAP/TIMBER PILES @ VAR.CTS.

SPANS 1@18';1@17';1@18'

LONGITUDE 77° 20' 41.32"

LATITUDE 35° 38' 32.76"

INSPECTION DATE 08/06/2013

PRESENT CONDITION FAIR

PRESENT POSTING Y SV-22 & TTST-32

PROPOSED POSTING _____

OTHER SIGNS PRESENT (4) DELINEATORS



LOOKING NORTH

Fracture Critical	<u>No</u>
Temporary Shoring	<u>Yes</u>
Scour Critical	<u>No</u>
Scour POA	<u>No</u>

SIGN NOTICE ISSUED FOR	NUMBERED REQUIRED
<u>No</u> WEIGHT LIMIT	_____
<u>No</u> DELINEATORS	_____
<u>No</u> NARROW BRIDGE	_____
<u>No</u> ONE LANE BRIDGE	_____
<u>No</u> LOW CLEARANCE	_____

IDENTIFICATION				CLASSIFICATION			
(1) STATE NAME -NORTH CAROLINA	BRIDGE	730430		SUFFICIENCY RATING =			83.14
(8) STRUCTURE NUMBER(FEDERAL)		000000001470430		STATUS =	Not Deficient		
(5) INVENTORY ROUTE (ON/UNDER) - ON		31015290					
(2) STATE HIGHWAY DEPARTMENT DISTRICT		1					
(3) COUNTY CODE	147	(4) PLACE CODE	28080	(112)NBIS BRIDGE SYSTEM -			YES
(6) FEATURE INTERSECTED -	PARKERS CREEK			(104)HIGHWAY SYSTEM	Is not on NHS		0
(7) FACILITY CARRIED	SR1529			(26) FUNCTIONAL CLASS -	Collector		17
(9) LOCATION	0.1 MI SW JCT SR 1591			(100)STRAHNET HIGHWAY -	Not a STRAHNET Route		0
(11)MILEPOINT			0	(101)PARALLEL STRUCTURE -	No Parallel Structure		N
(16)LAT	35° 38' 32.76"	(17)LONG	77° 20' 41.32"	(102)DIRECTION OF TRAFFIC -	2-way Traffic		2
(98)BORDER BRIDGE STATE CODE		PCT SHARE		(103)TEMPORARY STRUCTURE -	Temporary Structure/Conditions		T
(99)BORDER BRIDGE STRUCTURE NO				(110)DESIGNATED NATIONAL NETWORK -	Not on the National Network		0
STRUCTURE TYPE AND MATERIAL				(20) TOLL	On Free Road		3
(43) STRUCTURE TYPE MAIN:	Wood or Timber			(31) MAINTAIN -	State Highway Agency		01
TYPE -	Stringer Multibeam or Girder	CODE	702	(22) OWNER -	State Highway Agency		01
(44) STRUCTURE TYPE APPR :				(37) HISTORICAL SIGNIFICANCE -	Not Eligible		5
TYPE -		CODE	000	CONDITION			
(45) NUMBER OF SPANS IN MAIN UNIT			3	(58) DECK			5
(46) NUMBER OF APPROACH SPANS				(59) SUPERSTRUCTURE			7
(107)DECK STRUCTURE TYPE -	1	CODE		(60) SUBSTRUCTURE			7
(108)WEARING SURFACE / PROTECTIVE SYSTEM :				(61) CHANNEL & CHANNEL PROTECTION			6
(A) TYPE OF WEARING SURFACE -		CODE		(62) CULVERTS			N
(B) TYPE OF MEMBRANE -		CODE		LOAD RATING AND POSTING			
(C) TYPE OF DECK PROTECTION -		CODE		(31) DESIGN LOAD	Unknown		0
AGE AND SERVICE				(63) OPERATING RATING METHOD -	Allowable Stress		2
(27) YEAR BUILT			1975	(64) OPERATING RATING -	HS-1		1
(106)YEAR RECONSTRUCTED				(65) INVENTORY RATING METHOD -	Allowable Stress		2
(42) TYPE OF SERVICE : ON -	Highway			(66) INVENTORY RATING -	HS-1		1
UNDER -	Waterway	CODE	15	(70) BRIDGE POSTING -	Posting Required		2
(28) LANES: ON STRUCTURE	2	UNDER STRUCTURE	0	(41) STRUCTURE OPEN, POSTED ,OR CLOSED			P
(29) AVERAGE DAILY TRAFFIC			3400	DESCRIPTION -	Posted for Load		
(30) YEAR OF ADT	2012	(109) TRUCK ADT PCT	7%	APPRAISAL			
(19) BYPASS OR DETOUR LENGTH			4 MI	(67) STRUCTURAL EVALUATION			3
GEOMETRIC DATA				(68) DECK GEOMETRY			4
(48) LENGTH OF MAXIMUM SPAN			17 FT	(69) UNDERCLEARANCES,VERTI & HORIZ			N
(49) STRUCTURE LENGTH			53 FT	(71) WATERWAY ADEQUACY			7
(50)CURB OR SIDEWALK: LEFT	.4585 FT	RIGHT	.4585 FT	(72) APPROACH ROADWAY ALIGNMENT			8
(51) BRIDGE ROADWAY WIDTH CURB TO CURB			33.333 FT	(36) TRAFFIC SAFETY FEATURES			0000
(52) DECK WIDTH OUT TO OUT			34.917 FT	(113)SCOUR CRITICAL BRIDGES			8
(32) APPROACH ROADWAY WIDTH (W/SHOULDERS)			24 FT	PROPOSED IMPROVEMENTS			
(33) BRIDGE MEDIAN -	No Median	CODE	0	(75) TYPE OF WORK -			CODE
(34) SKEW	50°	(35) STRUCTURE FLARED	0	(76) LENGTH OF STRUCTURE IMPROVEMENT			
(10) INVENTORY ROUTE MIN VERT CLEAR			999.9 FT	(94) BRIDGE IMPROVEMENT COST			
(47) INVENTORY ROUTE TOTAL HORIZ CLEAR			33.333 FT	(95) ROADWAY IMPROVEMENT COST			
(53) MIN VERT CLEAR OVER BRIDGE RDWY			999.9 FT	(96) TOTAL PROJECT COST			
(54) MIN VERT UNDERCLEAR REF	Not a Highway or Railroad		0 FT	(97) YEAR OF IMPROVEMENT COST ESTIMATE			
(55) MIN LAT UNDERCLEAR RT REF	Not a Highway or Railroad		000 FT	(114)FUTURE ADT	6800	(115) YEAR FUTURE ADT	2025
(56) MIN LAT UNDERCLEAR LT REF -			000 FT	INSPECTIONS			
NAVIGATION DATA				(90) INSPECTION DATE			08/06/2013
(38) NAVIGATION CONTROL -	No Navigational Control	CODE	0	(92) CRITICAL FEATURE INSPECTION :		(93) CFI DATE	
(111)PIER PROTECTION -		CODE		A) FRACTURE CRIT DETAIL -	NO	A)	
(39) NAVIGATION VERTICAL CLEARANCE			0	B) UNDERWATER INSP -	NO	B)	
(116)VERT - LIFT BRIDGE NAV MIN VERT CLEAR			FT	C) OTHER SPECIAL INSP	NO	C)	
(40) NAVIGATION HORIZONTAL CLEARANCE			0 FT	SCOUR			

BRIDGE MANAGEMENT UNIT

DATA ON EXISTING STRUCTURE

Run Date: 08/19/2013

COUNTY : PITT DIVISION : 2 DISTRICT : 1 STRUCTURE NUMBER : 730430 LENGTH : 53 FEET

ROUTE CARRIED : SR1529 FEATURE INTERSECTED : PARKERS CREEK

LOCATED : 0.1 MI SW JCT SR 1591 BRIDGE NAME : CITY : *GREENVILLE

FUNC. CLASS : 17 SYST.ON : FA SYST.UNDER : NFA ADT & YR : 3400 2012 RAIL TYPE : LT 233 RT 233

BUILT : 1975 BY : BMU PROJ : FED.AID PROJ : DESIGN LOAD : Unknown

REHAB : BY : DBM PROJ : ALIGNMENT : TAN. SKEW : 140 LANES : ON 2 UNDER 0

NAVIGATION : VC 0 FT HC 0 FT HT. CRN. TO BED : 11 FT WATER DEPTH : 2 FT

SUPERSTRUCTURE : RC FLOOR/TIMBER JOISTS (STD.BMD-10)

SUBSTRUCTURE : E.BTS&INT.BTS:TIMBER CAP/TIMBER PILES @ VAR.CTS.

SPANS : 1@18';1@17';1@18'

BEAMS OR GIRDERS : 26 LINES 6X12 TIMBER JOISTS @ VARIED CENTERS

FLOOR : 5 RC/NO AWS ENCROACHMENT : DECK (OUT TO OUT) : 34.917 FT

CLEAR ROADWAY : 33.333 FT BETWEEN RAILS : 34.25 FT SIDEWALK OR CURB : LT .4585 FT RT .4585 FT

VERT.CL.OVER : 999.9 FT

INV.RTG. : HS-1 OPE.RTG. : HS-1 CONTR.MEMBER : int Joist POSTED : SV 22 TTST 32 DATE 09/26/2011

SYSTEM : Secondary S.R. Route GREEN LINE ROUTE : N

UNDER ROUTES AND CLEARANCES

REMARKS :

BRIDGE INSPECTION RECORD AND SUMMARY

INSPECTION TYPE Routine Inspection
 BRIDGE NO. 730430 COUNTY PITT ROUTE SR1529 OVER PARKERS CREEK
 STRUCTURE TYPE RC FLOOR/TIMBER JOISTS (STD.BMD-10)
 ROUTE ORIENTATION S - N SPANS 1@18';1@17';1@18'

EVALUATION CODES: CRITICAL (C, 0 - 3); POOR (P, 4); FAIR (F, 5, 6); GOOD (G, 7 - 9)

INSPECTION ITEM				ITEM 61		
DECK ITEMS		GRADES				
1. WEARING SURFACE				45. CHANNEL & CHANNEL PROT.	a. WATERWAY	G
2. DECK NO. OF EA TYPE SPN GRADE RATES SI & A ITEM 58					b. ALIGNMENT	G
a. CONCRETE	3	F	c. SCOUR		F	
b. TIMBER			d. SLOPE PROT., RIP-RAP, DIKES, ETC.			
3. RAILING				50. APPROACH ROADWAY CONDITION		
a. CONCRETE			51. APPROACH SLABS			
b. TIMBER			52. PAINT SYSTEM CODE			
c. ALUMINUM			53. UTILITIES			
d. STEEL		G	54. RESPONSE TO LIVE LOAD			
4. CURBS, WHEELGUARDS, PARAPETS, MEDIANS				55. ESTIMATED REMAINING LIFE		
5. WALKWAYS (ON OR ATTACHED TO STRUCTURE)				60. REGULATORY SIGN NOTICE ISSUED		
6. DECK EXP JTS. OR DEVICES. NO. OF EACH				61. PROMPT-ACTION NOTICE ISSUED		
a. STEEL PL OR FINGER			62. PRESENTLY POSTED			
b. MISC PREFAB			63. TOT. FIELD INSP TIME (INCLUDE WRITE UP)(MAN HR)			
c. COMPRESSION SEAL			64. TOTAL SNOOPER INSP. TIME (HRS)			
d. STANDARD JOINTS	2	G	65. TOTAL TRAFFIC CONTROL TIME (MAN HRS)			
e. OPEN JOINTS						
7. DECK DEBRIS (INCLUDES EXCESS SAND/GRAVEL)				70. SI&A GENERAL CONDITION RATINGS		
SUPER STR. (FM. 1 (90)B TRUSS) ITEM 59				a. DECK	ITEM 58	5
10. LONGITUDINAL BEAMS OR GIRDERS				b. SUPERSTRUCTURE	ITEM 59	7
11. LONGITUDINAL JOIST OR STRINGERS				c. SUBSTRUCTURE	ITEM 60	7
12. INT. DIAP'S, X-FRAMES, BRACING & CONN'S				d. CHANNEL & CHANNEL PROT.	ITEM 61	6
13. END DIAP'S, CURTAIN WALLS, & CONN'S				71. SI&A FIELD APPRAISAL RATINGS		
14. FLOOR BEAMS AND CONNECTIONS				a. WATERWAY ADAQUACY		7
15. BEARING ASSEMBLIES (INCLUDING MISALIGN)				b. APPR. RDWY. ALIGNMENT		8
16. DRAINAGE SYSTEM (ON STRUCTURE)				72. FIELD SCOUR EVALUATION		
17. MOVABLE SPAN MACHINERY				U		
SUB STR. ITEMS. ITEM 60 (INCLUDE SCOUR)				USE OF INSP. ACCESSIBILITY EQUIPMENT		
35. TIM SUB STR.	a. ABUT. & INT. BENT CAPS & RISERS		G	SNOOPER (CODE S, 4, OR N)	HRS	NO
	b. PILES, POST, SILLS, & BRACING		G	LADDER		YES
	c. BULKHEADS, WING'S, & TIE BACKS		G	BUCKET TRUCK		NO
36. CONC SUB STR.	a. ABUT. & INT. BENT CAPS			BOAT		NO
	b. ABUT. & BENT COL'S BREASTWALLS			OTHER		NO
	c. ABUT. & INT. BENT PILES					
	d. BACKWALLS, WING'S, RETAIN. WALLS					
	e. ABUT. & BENT FOOTINGS & SILLS					
37. STEEL SUB STR.	a. ABUT. & INT. BENT CAPS & RISERS			SPECIAL INSPECTION REQUESTED FOR		
	b. PILES, BRACING, AND BULKHEADS					
38. FOUNDATION PILES TYPE MATERIAL				NOTE		
39. SLOPE PROT., RIP-RAP (INCLUDE DRAINAGE)				G		
40. FENDER SYSTEMS				80. INSPECTED BY: <i>B. C. Little</i>		
41. DRIFT				81. REVIEWED BY:		

BRIDGE INSPECTION RECORD AND SUMMARY FOR SHORED STRUCTURES OR STRUCTURES WITH TEMPORARY REPAIRS MADE TO KEEP A BRIDGE OPEN

BRIDGE: **730430** County **Pitt** DATE: **8/19/2013**

THE FOLLOWING S. I. & A ITEMS ARE TO BE CODED TO REFLECT THE FACT THAT THE STRUCTURE IS SHORED OR HAS HAD TEMPORARY REPAIRS MADE TO KEEP THE BRIDGE OPEN :

	<u>CODE</u>	<u>BY</u>
S I & A ITEM 103 - TEMPORARY STRUCTURE DESIGNATION	T	TSE
S I & A ITEM 59 - SUPERSTRUCTURE		
S I & A ITEM 60 - SUBSTRUCTURE	5	TSE <i>8/19/13</i>
S I & A ITEM 64 OPERATING RATING		
HS		BY:
S I & A ITEM 66 - INVENTORY RATING		
HS		BY:

COMMENTS

Pile 6 @ E. Bt. 2 has been encased with concrete.

Temporary Repair

Bridge I&A Form 1(82)H State of North Carolina Dept. of Transportation Division of Highways	FIELD INSPECTION REPORT <u>Bridge Inspection & Analysis</u>	
--	---	--

Team Leader BG LITTLETON, JR.

Assisted By PD IPOCK

Item No.	Grade	
2a	F	(CONC. DECK) SELAED CRACKS WITH SOME REMAINING IN SPANS 1, 2 & 3. (PHOTO)
4	G	(CONC. CURBS) NO NOTEWORTHY PROBLEMS.
6d	G	(STD. JOINTS) (2) STD. JOINTS LOCATED OVER BTS.1 & 2 WITH NO NOTEWORTHY PROBLEMS. (PHOTO)
7	F	(DECK DEBRIS) DEBRIS ALONG THE CURBS. (PHOTO)
10	G	(TIMBER JOISTS) NO NOTEWORTHY PROBLEMS.
10A	NO	(CURVED GIRDERS) NO CURVED GIRDERS.
16	F	(DRAINAGE) SOME DRAINS BLOCKED BY DEBRIS.
35a	G	(TIMBER CAPS & CROWNS) PREVIOUS PM @ EBT.2 MAIN CAP REPAIRED SINCE THE LAST INSPECTION. NO NOTEWORTHY PROBLEMS.
35b	G	(TIMBER PILES) PILE 6 @ EBT.2 REPAIRED WITH STUB & CONC. COLLAR SINCE THE LAST INSPECTION. NO CROSSBRACING IN PLACE AT INTERIOR BTS.1 & 2
35c	G	(TIMBER BULKHEADS AND WINGWALLS) NO NOTEWORTHY PROBLEMS.
39	G	(SLOPES) NO NOTEWORTHY PROBLEMS.
41	G	(DRIFT) NO NOTEWORTHY PROBLEMS.

Bridge I&A Form 1(82)H State of North Carolina Dept. of Transportation Division of Highways		FIELD INSPECTION REPORT <u>Bridge Inspeccion & Analysis</u>	
Team Leader BG LITTLETON, JR.			
Assisted By PD IPOCK			
Item No.	Grade		
45a	G	(WATERWAY) NO NOTEWORTHY PROBLEMS.	
45c	F	(SCOUR) LATERAL BANK MIGRATION ALONG THE NORTH & SOUTH BANKS.	
50	F	(APPROACH ROADWAY) BOTH APPROACHES HAVE BEEN PATCHED WITH TRANSVERSE CRACKS REMAINING.	
62	YES	(PRESENTLY POSTED) SV- 22 TONS, TTST - 32 TONS	

BRIDGE INSPECTOR'S RECOMMENDATION FOR MAINTENANCE REPAIRS

Bridge: 730430

County PITT

Date: 08/06/2013

These Repairs Should Be Made Within Twelve Months From Date Of This Inspection

MMS Code	Description of Function	Unit	Quantity	Remarks	Est. Cost
3376	Clean/Wash Bridge Decks	SF	106	DEBRIS ALONG THE CURBS WITH BLOCKED DRAINS.	

Key



Priority Maintenance Item



Critical Finding Item



Priority Maintenance Level Not Determined



DEBRIS ALONG THE RIGHT CURB WITH BLOCKED DRAINS. SIMILAR ALONG THE LEFT CURB.

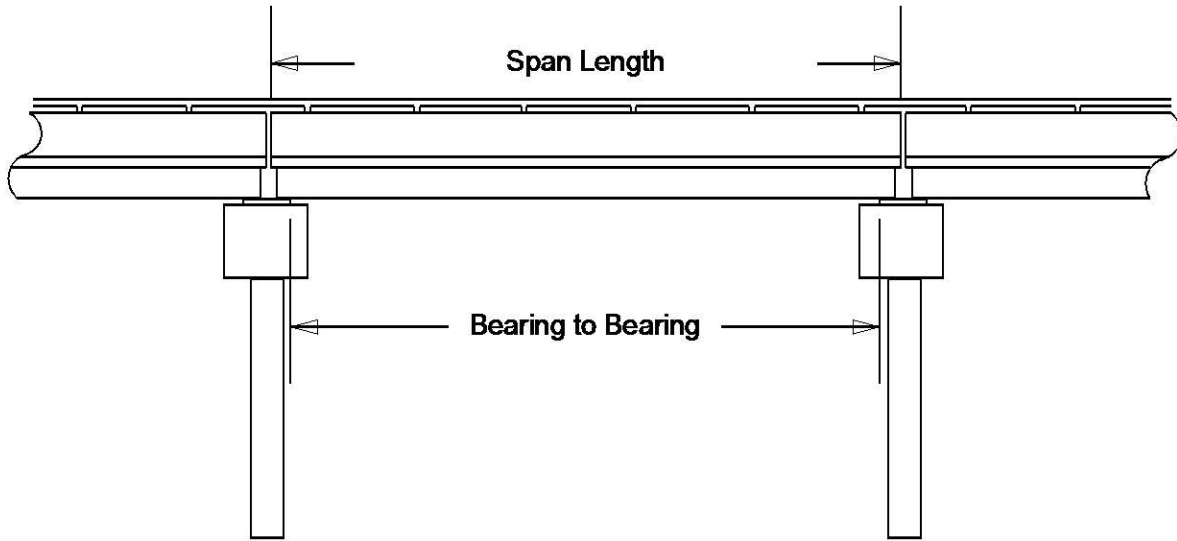


SPAN 1 DECK WITH SEALED CRACKS. SIMILAR IN SPANS 2 & 3.

Structure Data Worksheet

Spans

County: PITT Structure No: 730430 Date: 08/06/2013 Inspected By: BGL



Span No	Span Length	Bearing to Bearing	Comments
1	18'	17.083'	
2	17'	17'	
3	18'	17.083'	

Stream Bed Soundings

(See next sheet for profile sketch)

Bridge No: 730430 County: PITT Date: 08/06/2013 By: BGL

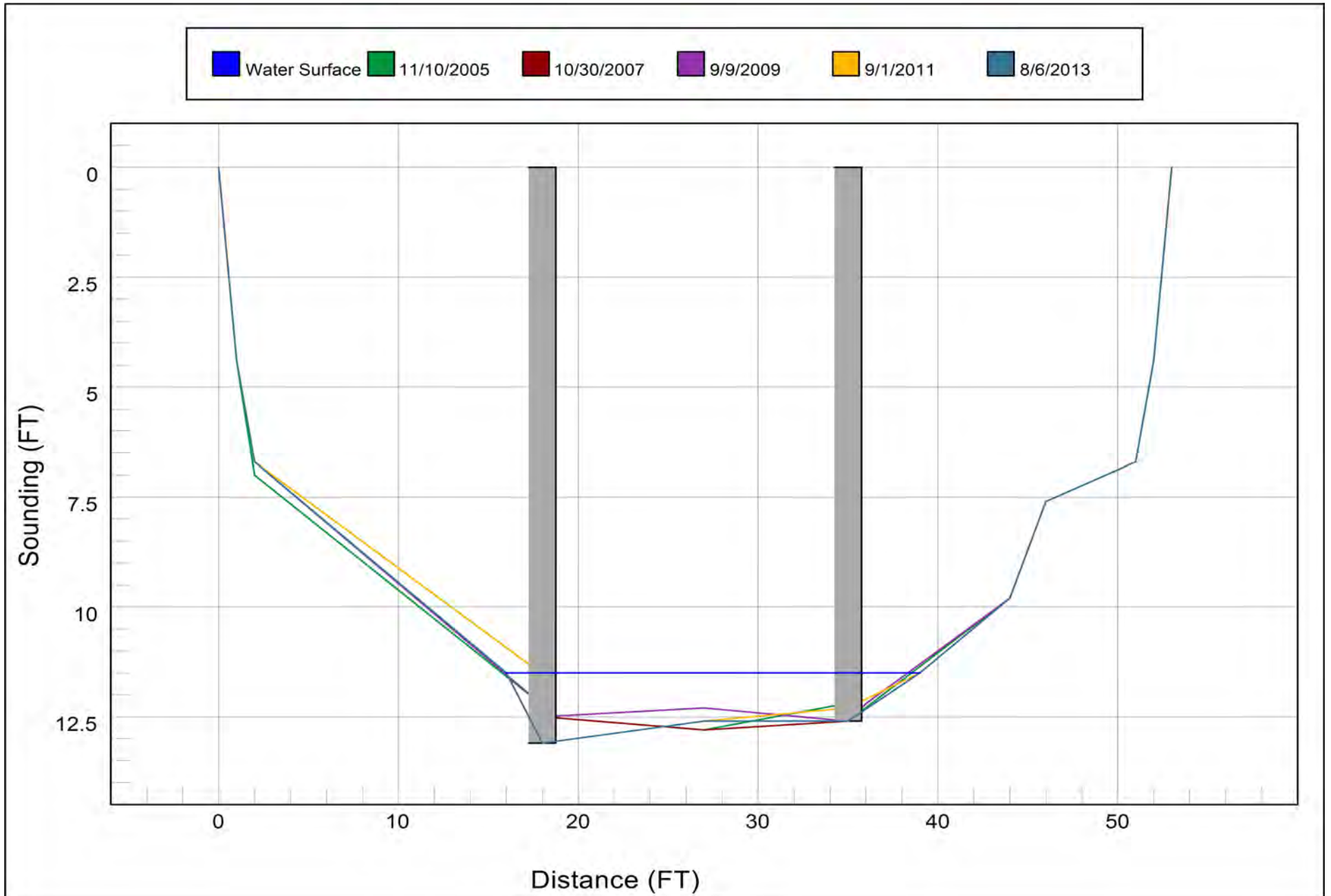
Record sounding from top of rail. Other location if needed: RAILS

Distance from Highwater Mark to top of rail: 2.8 Location of Highwater Mark: DECK

DOWNSTREAM			UPSTREAM		
Distance (Station) (ft)	Sounding (ft)	Description	Distance (Station) (ft)	Sounding (ft)	Description
0	0		0	0	
1	4.4	TOP OF CAP			
2	6.7	GROUND AT CAP	2	6.2	GROUND AT CAP
16	11.5	WSWE / EAST			
18	13.1	BENT 1	18	12.4	BENT 1
27	12.6				
35	12.6	BENT 2	35	13.3	BENT 2
39	11.5	WSWE			
44	9.8				
46	7.6				
51	6.7	GROUND AT CAP	51	7.4	GROUND AT CAP
52	4.4	TOP OF CAP			
53	0		53	0	

STREAMBED PROFILE (Downstream)

Top of Rail = 0 FT (Sounding)



Bridge Inspection Field Sketch



Roadway	24ft Wide	2 Paved Lanes	Looking North
Left Shoulder	10ft Wide		10ft Unpaved
Right Shoulder	10ft Wide		10ft Unpaved
Left Guardrail			
Right Guardrail			

VERIFIED BY; PD IPOCK, 8-6-2013

Title

730430 APPROACH ROADWAY

Description

LOOKING NORTH.

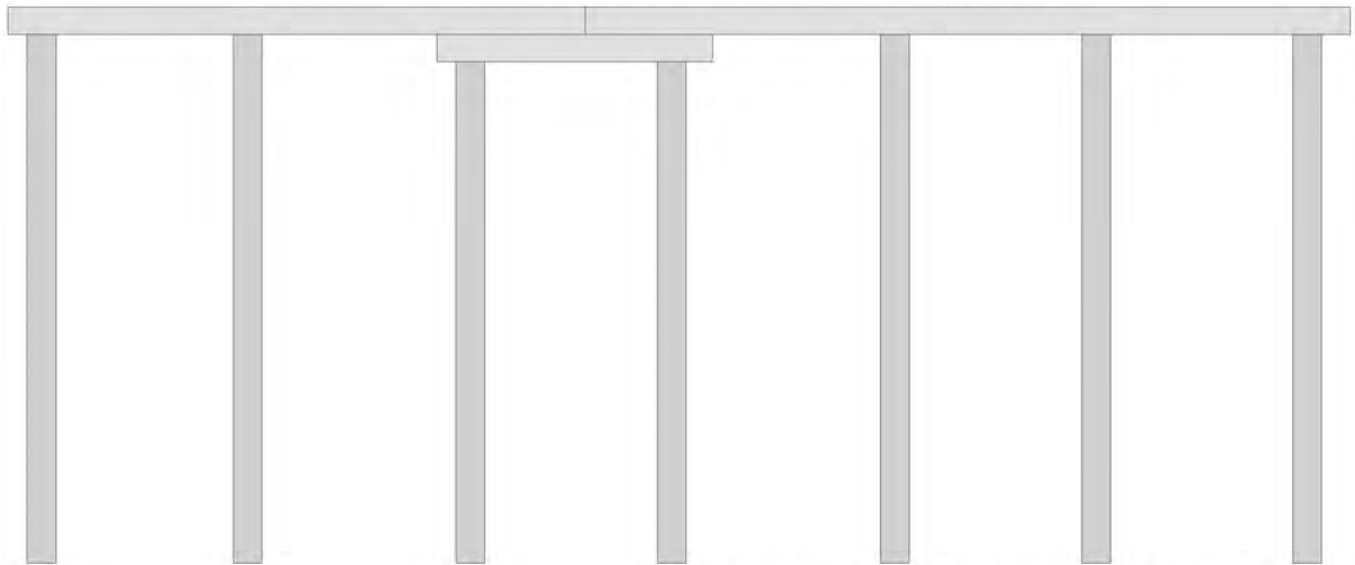
Bridge No: 730430

Drawn By: P.D.IPOCK

Date: 9-1-2011

File Name: S0050001361

Bridge Inspection Field Sketch



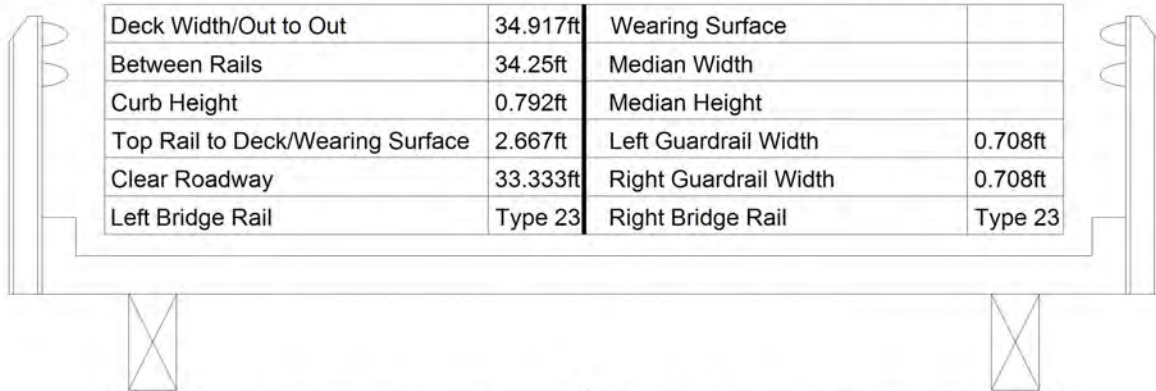
NEW MAIN CAPS & SUBCAP 2011

Cap Information			Material Timber							
Length	Width	Height	Left Overhang	Right Overhang	Left Beam to End of Cap.	Right Beam to End of Cap.				
46.667 ft.	1.000 ft.	.958 ft.	1.167 ft.	1.500 ft.	.969 ft.	.333 ft.				
Subcap Information			Material Timber							
Length	Width	Height	Left Overhang	Right Overhang	Left Pile to Splice.					
9.584 ft.	.938 ft.	.938 ft.	1.167 ft.	1.417 ft.	4 ft.					
Sill Information			Material							
Length	Width	Height								
Pile #	Material	Spacing	Width/Dia.	Height	Length	Orientation	Driven?	Replacement?	Removed?	Collar?
1	Timber	7.167 ft.	1 ft.			Vertical	Yes	No	No	No
2	Timber	7.75 ft.	1 ft.			Vertical	Yes	No	No	No
3	Timber	7 ft.	1 ft.			Vertical	Yes	No	No	No
4	Timber	7.75 ft.	1 ft.			Vertical	Yes	No	No	No
5	Timber	7 ft.	1 ft.			Vertical	Yes	No	No	No
6	Timber	7.333 ft.	1 ft.			Vertical	Yes	No	No	No
7	Timber		1 ft.			Vertical	Yes	No	No	No
Bent/Abutment #: 2			Similar Bents:							

VERIFIED BY; PD IPOCK, 8-6-2013

Title 730430 SUBSTRUCTURE/ BT.2		Description BENT 2.			
Bridge No: 730430	Drawn By: P.D. IPOCK	Date: 9-1-2011	File Name: S0050002829		

Bridge Inspection Field Sketch



Deck Width/Out to Out	34.917ft	Wearing Surface	
Between Rails	34.25ft	Median Width	
Curb Height	0.792ft	Median Height	
Top Rail to Deck/Wearing Surface	2.667ft	Left Guardrail Width	0.708ft
Clear Roadway	33.333ft	Right Guardrail Width	0.708ft
Left Bridge Rail	Type 23	Right Bridge Rail	Type 23

Measurements for Span #	1	Measurements Similar For Spans 2 & 3	
Deck Thickness	0.417	Left Overhang	0.458
Top of Rail to Bottom of Beam	4.167	Right Overhang	0.458

Beam No	Beam Type	Spacing	Comments
1	Timber (Rectangular)	1.667ft	Similar Timber (Rectangular) Size (5- 3/4" X 11- 5/8")
2	Timber (Rectangular)	1.333ft	
3	Timber (Rectangular)	1.333ft	
4	Timber (Rectangular)	1.333ft	
5	Timber (Rectangular)	1.333ft	
6	Timber (Rectangular)	1.333ft	
7	Timber (Rectangular)	1.333ft	
8	Timber (Rectangular)	1.333ft	
9	Timber (Rectangular)	1.333ft	
10	Timber (Rectangular)	1.333ft	
11	Timber (Rectangular)	1.333ft	
12	Timber (Rectangular)	1.333ft	
13	Timber (Rectangular)	1.333ft	
14	Timber (Rectangular)	1.333ft	
15	Timber (Rectangular)	1.333ft	
16	Timber (Rectangular)	1.333ft	
17	Timber (Rectangular)	1.333ft	
18	Timber (Rectangular)	1.333ft	
19	Timber (Rectangular)	1.333ft	NEW JOIST @ ORIGINAL LOCATION IN SP 3
20	Timber (Rectangular)	1.333ft	NEW JOIST @ ORIGINAL LOCATION IN SP 3
21	Timber (Rectangular)	1.333ft	
22	Timber (Rectangular)	1.333ft	
23	Timber (Rectangular)	1.333ft	
24	Timber (Rectangular)	1.333ft	
25	Timber (Rectangular)	1.667ft	
26	Timber (Rectangular)		

VERIFIED BY; PD IPOCK, 8-6-2013

Title
730430 SUPERSTRUCTURE/ SPAN 1

Description
SIMILAR SECTION.

Bridge No: 730430

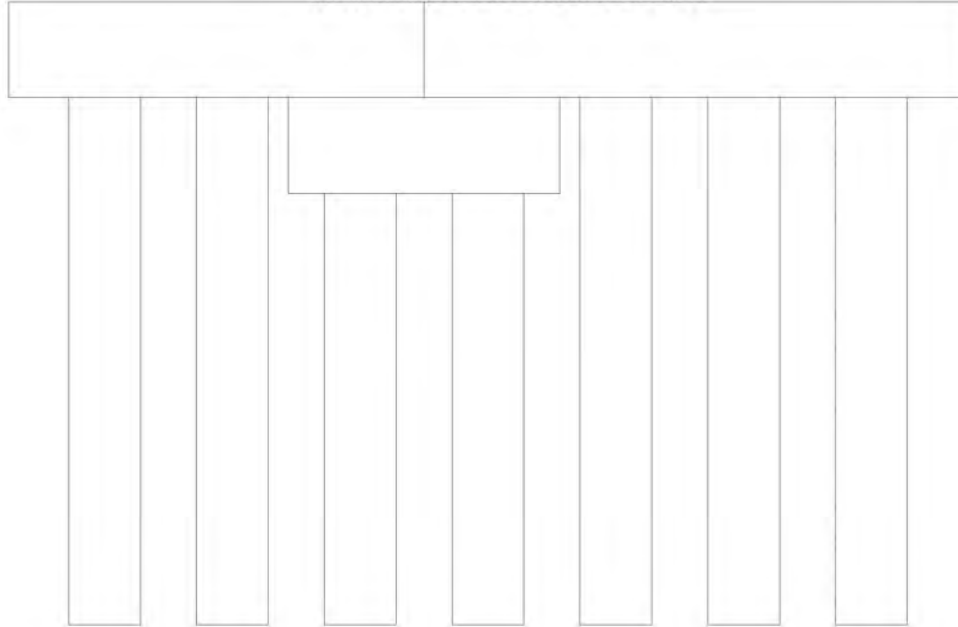
Drawn By: P.D.IPOCK

Date: 9-1-2011

File Name: S0050001362

Bridge Inspection Field Sketch

NEW MAIN CAPS & SUBCAPS 2011



Abutment #	1		
Cap - Beam Type (Wood or Steel)			
Cap Size	46.167ft Long	1ft Wide	0.958ft High
Left Overhang	1.167ft	Lt Cap/Beam Overhang	0.969ft
Right Overhang	1ft	Rt Cap/Beam Overhang	1.073ft
Timber Sub Cap			
Size	9.5ft Long	1ft Wide	0.958ft High
Left pile to splice	4ft		
Left Overhang	1.333ft		
Right Overhang	1.167ft		

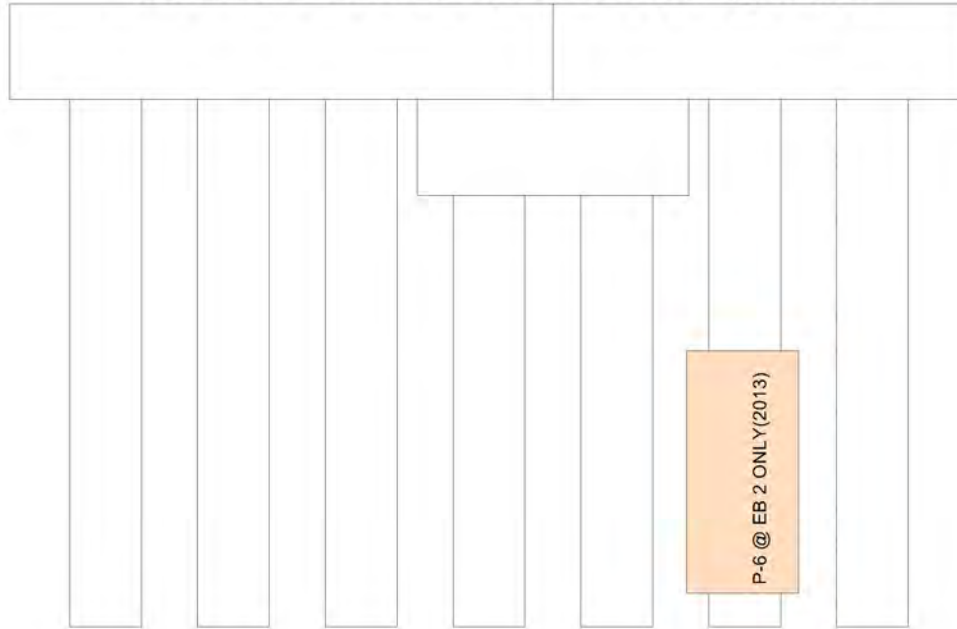
Pile #	Material	Pile Type	Spacing	Length	Width/Diam.	Height	Orientation
1	Wood or Timber	Pile Bent	7.167'		12" Avg. Dia.		Vertical
2	Wood or Timber	Pile Bent	7.75'		12" Avg. Dia.		Vertical
3	Wood or Timber	Pile Bent	7'		12" Avg. Dia.		Vertical
4	Wood or Timber	Pile Bent	7.75'		12" Avg. Dia.		Vertical
5	Wood or Timber	Pile Bent	7'		12" Avg. Dia.		Vertical
6	Wood or Timber	Pile Bent	7.333'		12" Avg. Dia.		Vertical
7	Wood or Timber	Pile Bent			12" Avg. Dia.		Vertical

VERIFIED BY: PD IPOCK, 8-6-2013

Title		Description	
730430 SUBSTRUCTURE/ EBT.1		END BENT 1	
Bridge No: 730430	Drawn By: P.D.IPOCK	Date: 9/9/2009	File Name: S0050001363

Bridge Inspection Field Sketch

NEW MAIN CAPS & SUBCAP 2011 AT BENT 1 & 2013 @ END BT 2.



Bent #	1	Abutment 2 similar	
Cap - Beam Type (Wood or Steel)			
Cap Size	46.167ft Long	1ft Wide	0.958ft High
Left Overhang	1.167ft	Lt Cap/Beam Overhang	0.969ft
Right Overhang	1ft	Rt Cap/Beam Overhang	1.073ft
Timber Sub Cap			
Size	9.5ft Long	1ft Wide	0.958ft High
Left pile to splice	4ft		
Left Overhang	1.333ft		
Right Overhang	1.167ft		

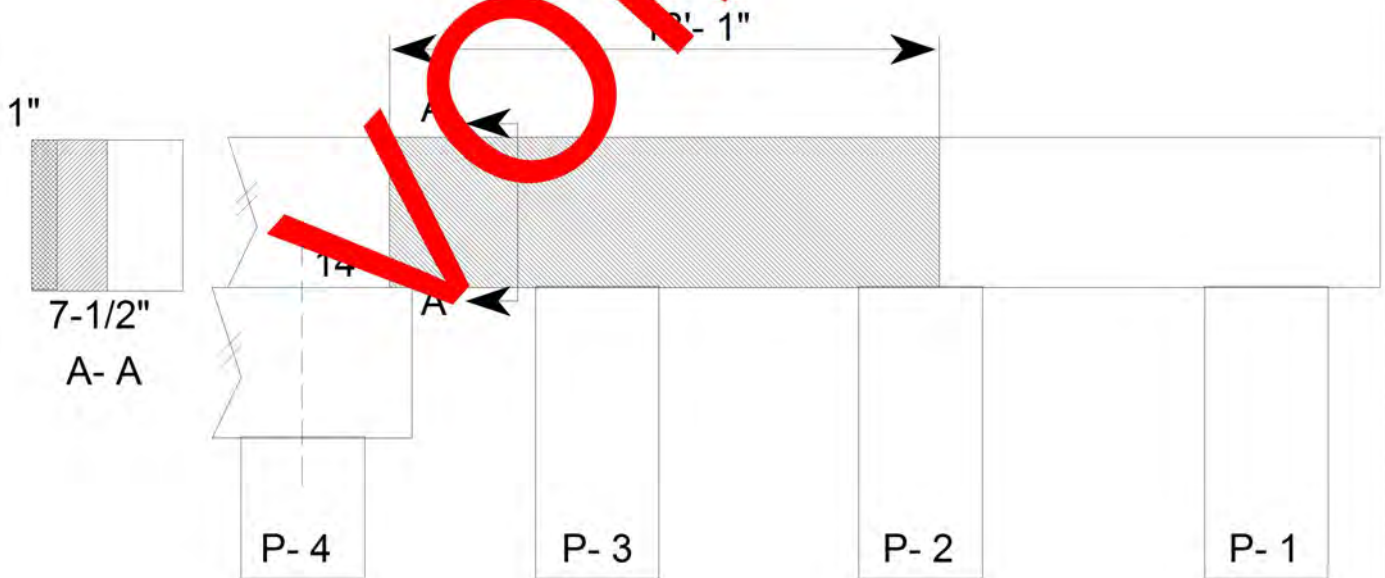
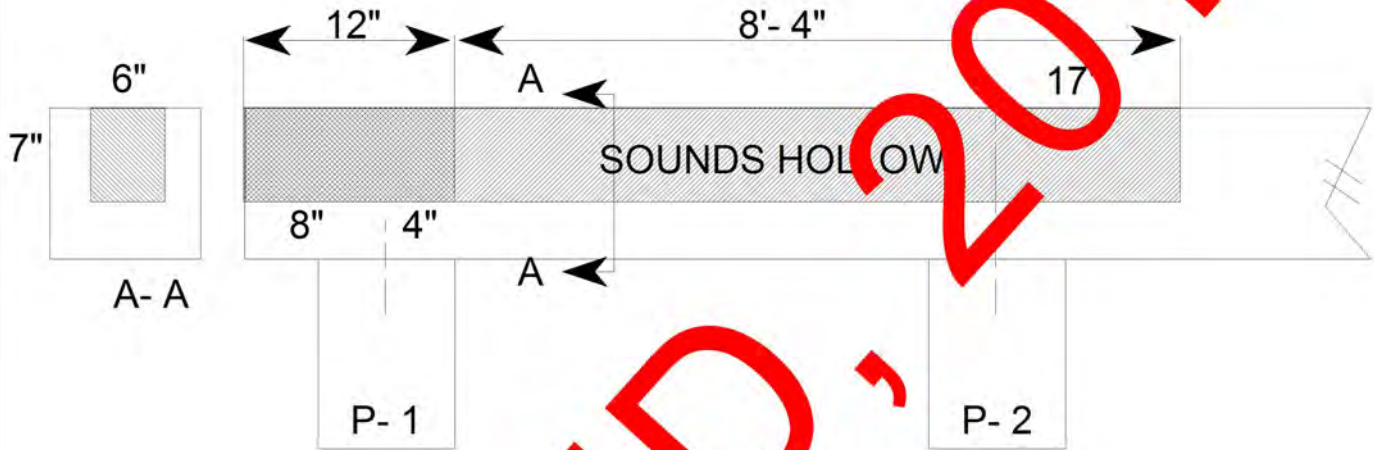
Pile #	Material	Pile Type	Spacing	Length	Width/Diam.	Height	Orientation
1	Wood or Timber	Pile Bent	7.167'		12" Avg. Dia.		Vertical
2	Wood or Timber	Pile Bent	7.75'		12" Avg. Dia.		Vertical
3	Wood or Timber	Pile Bent	7'		12" Avg. Dia.		Vertical
4	Wood or Timber	Pile Bent	7.75'		12" Avg. Dia.		Vertical
5	Wood or Timber	Pile Bent	7'		12" Avg. Dia.		Vertical
6	Wood or Timber	Pile Bent	7.333'		12" Avg. Dia.		Vertical
7	Wood or Timber	Pile Bent			12" Avg. Dia.		Vertical

VERIFIED BY; PD IPOCK, 8-6-2013

Title 730430 SUBSTRUCTURE/ BT.1 & EB.2	Description BENTS
Bridge No: 730430	Drawn By: P.D.IPOCK
Date: 9-1-2011	File Name: S0050001364

Bridge Inspection Field Sketch

LT END & SPAN 1 SIDE OF BENT 1 MAIN CAP



SPAN 2 SIDE OF BT.1 MAIN CAP

DRAWING NOT TO SCALE

Title

PM- 2009, BT.1 MAIN CAP VOID

Description

SPANS 1 & 2, BENT 1 MAIN CAP.

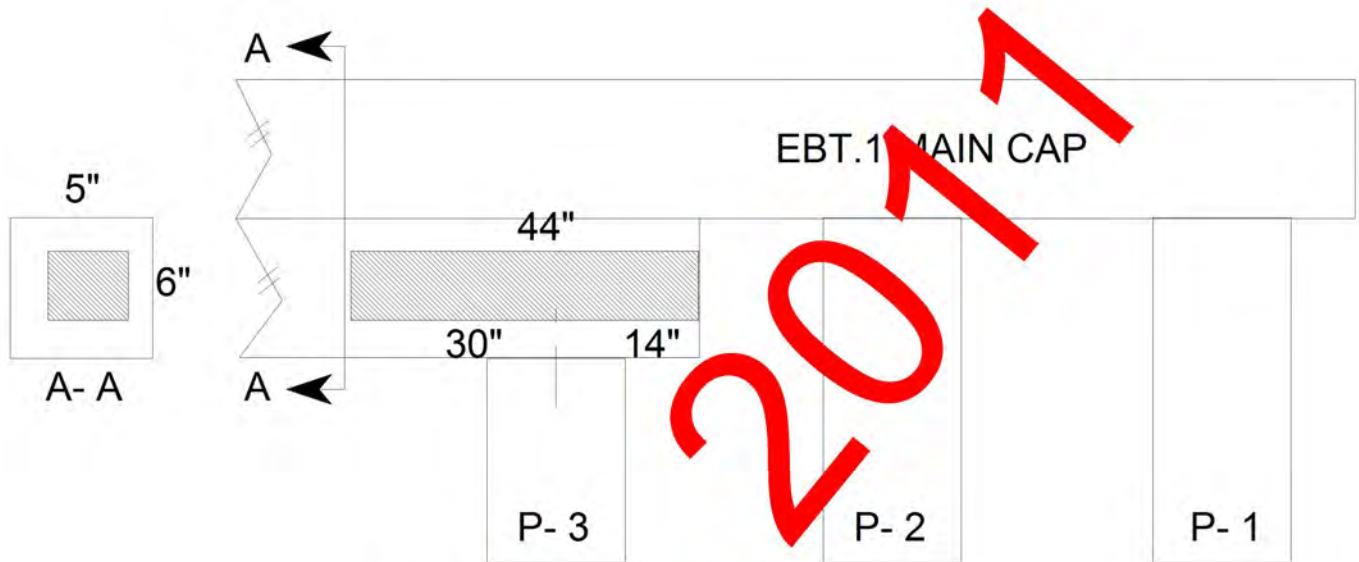
Bridge No: 730430

Drawn By: PD IPOCK

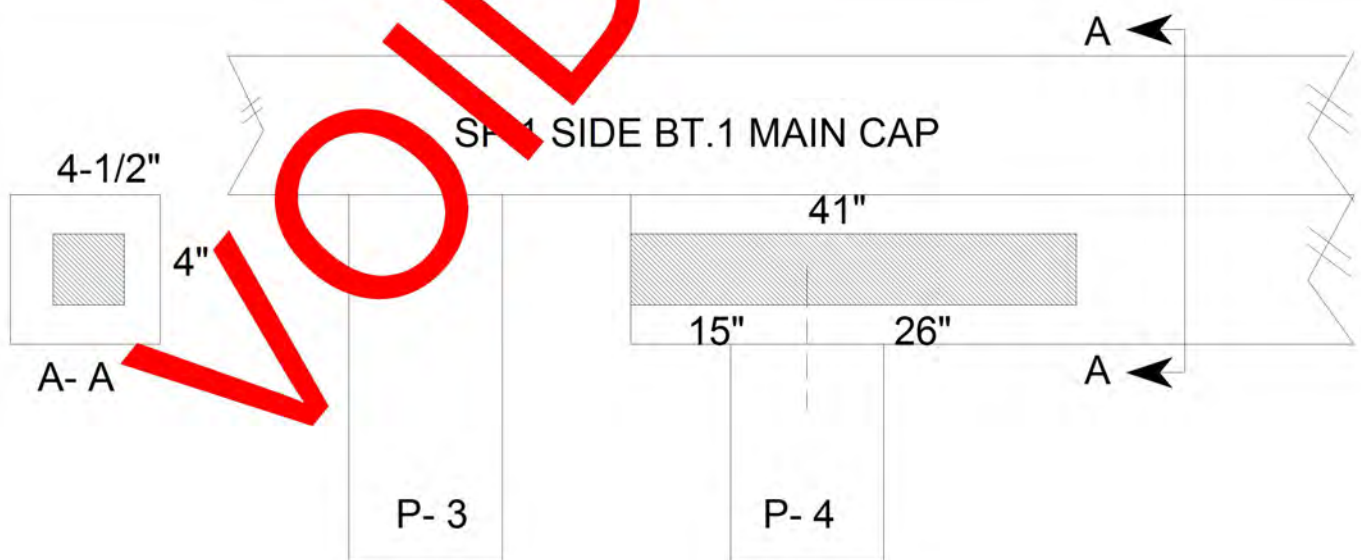
Date: 9/9/2009

File Name: T0050002791

Bridge Inspection Field Sketch



LT END OF EBT.1 SUBCAP



DRAWING NOT TO SCALE

Title

PM- 2009, EBT.1 & BT.1 SUBCAPS VOID

Description

EBT.1 & BT.1 SUBCAPS.

Bridge No: 730430

Drawn By: PD IPOCK

Date: 9/9/2009

File Name: T0050002792



LOOKING NORTH, SR 1529.



LOOKING NORTH



STD. JOINT @ BT.1. SIMILAR JOINT @ BT.2.



UPSTREAM WEST



DOWNSTREAM EAST



LOOKING SOUTH, SR 1529.



EAST SIDE, LOOKING NORTH.



EBT.1. EBT.2 SIMILAR.



SPAN 1 SIDE OF BT.1. BT.2 SIMILAR.



SPAN 1 UNDERSIDE. SIMILAR IN ALL SPANS.



NC DEPARTMENT OF TRANSPORTATION
 DIVISION OF HIGHWAYS
 BRIDGE MANAGEMENT UNIT

ATTENTION

PM ISSUED FOR DRIFT

BRIDGE INSPECTION REPORT

INSPECTION TYPE: Routine Inspection

COUNTY PITT BRIDGE NUMBER 730431 INSPECTION CYCLE 2 YRS
 ROUTE SR1591 ACROSS PARKERS CREEK M.P. 0

LOCATION 0.2 MI W JCT SR 1539

SUPERSTRUCTURE RC FLOOR/TIMBER JOIST (BMD-10 MR)

SUBSTRUCTURE E.BTS&INT.BTS:TIMBER CAP/TIMBER PILES @ VAR.CTS.

SPANS 1@17'8;1@17'1;1@18'

LONGITUDE 77° 20' 44.26" LATITUDE 35° 38' 39.64"

INSPECTION DATE 09/09/2013 PRESENT CONDITION FAIR

PRESENT POSTING Y SV-16 TTST-23 PROPOSED POSTING _____

OTHER SIGNS PRESENT (4) DELINEATORS



LOOKING EAST

Fracture Critical	<u>No</u>
Temporary Shoring	<u>Yes</u>
Scour Critical	<u>No</u>
Scour POA	<u>No</u>

SIGN NOTICE ISSUED FOR	NUMBERED REQUIRED
<u>No</u> WEIGHT LIMIT	_____
<u>No</u> DELINEATORS	_____
<u>No</u> NARROW BRIDGE	_____
<u>No</u> ONE LANE BRIDGE	_____
<u>No</u> LOW CLEARANCE	_____

IDENTIFICATION				CLASSIFICATION			
(1) STATE NAME -NORTH CAROLINA	BRIDGE	730431		SUFFICIENCY RATING =			27.05
(8) STRUCTURE NUMBER(FEDERAL)		000000001470431		STATUS =	Functionally Obsolete		
(5) INVENTORY ROUTE (ON/UNDER) - ON		31015910					
(2) STATE HIGHWAY DEPARTMENT DISTRICT		1					
(3) COUNTY CODE	147	(4) PLACE CODE	28080	(112)NBIS BRIDGE SYSTEM -			YES
(6) FEATURE INTERSECTED - PARKERS CREEK				(104)HIGHWAY SYSTEM	Is not on NHS		0
(7) FACILITY CARRIED SR1591				(26) FUNCTIONAL CLASS -	Local		19
(9) LOCATION 0.2 MI W JCT SR 1539				(100)STRAHNET HIGHWAY -	Not a STRAHNET Route		0
(11)MILEPOINT			0	(101)PARALLEL STRUCTURE -	No Parallel Structure		N
(16)LAT 35° 38' 39.64"	(17)LONG	77° 20' 44.26"		(102)DIRECTION OF TRAFFIC -	2-way Traffic		2
(98)BORDER BRIDGE STATE CODE		PCT SHARE		(103)TEMPORARY STRUCTURE -	Temporary Structure/Conditions		T
(99)BORDER BRIDGE STRUCTURE NO				(110)DESIGNATED NATIONAL NETWORK -	Not on the National Network		0
				(20) TOLL	On Free Road		3
				(31) MAINTAIN -	State Highway Agency		01
				(22) OWNER -	State Highway Agency		01
				(37) HISTORICAL SIGNIFICANCE -	Not Eligible		5
STRUCTURE TYPE AND MATERIAL				CONDITION			
(43) STRUCTURE TYPE MAIN: Wood or Timber				(58) DECK			5
TYPE - Stringer Multibeam or Girder		CODE	702	(59) SUPERSTRUCTURE			7
(44) STRUCTURE TYPE APPR :				(60) SUBSTRUCTURE			5
TYPE -		CODE	000	(61) CHANNEL & CHANNEL PROTECTION			6
(45) NUMBER OF SPANS IN MAIN UNIT			3	(62) CULVERTS			N
(46) NUMBER OF APPROACH SPANS							
(107)DECK STRUCTURE TYPE -	1	CODE		LOAD RATING AND POSTING			
(108)WEARING SURFACE / PROTECTIVE SYSTEM :				(31) DESIGN LOAD	Unknown		0
(A) TYPE OF WEARING SURFACE -		CODE		(63) OPERATING RATING METHOD -	Allowable Stress		2
(B) TYPE OF MEMBRANE -		CODE		(64) OPERATING RATING -	HS-1		1
(C) TYPE OF DECK PROTECTION -		CODE		(65) INVENTORY RATING METHOD -	Allowable Stress		2
				(66) INVENTORY RATING -	HS-1		1
				(70) BRIDGE POSTING -	Posting Required		0
				(41) STRUCTURE OPEN, POSTED ,OR CLOSED			P
				DESCRIPTION -	Posted for Load		
AGE AND SERVICE				APPRAISAL			
(27) YEAR BUILT			1975	(67) STRUCTURAL EVALUATION			3
(106)YEAR RECONSTRUCTED				(68) DECK GEOMETRY			4
(42) TYPE OF SERVICE : ON - Highway				(69) UNDERCLEARANCES,VERTI & HORIZ			N
UNDER - Waterway		CODE	15	(71) WATERWAY ADEQUACY			7
(28) LANES: ON STRUCTURE 2 UNDER STRUCTURE			0	(72) APPROACH ROADWAY ALIGNMENT			8
(29) AVERAGE DAILY TRAFFIC			2100	(36) TRAFFIC SAFETY FEATURES			0000
(30) YEAR OF ADT 2012	(109) TRUCK ADT PCT		7%	(113)SCOUR CRITICAL BRIDGES			8
(19) BYPASS OR DETOUR LENGTH			4 MI	PROPOSED IMPROVEMENTS			
GEOMETRIC DATA				(75) TYPE OF WORK -			CODE
(48) LENGTH OF MAXIMUM SPAN			17 FT	(76) LENGTH OF STRUCTURE IMPROVEMENT			
(49) STRUCTURE LENGTH			53 FT	(94) BRIDGE IMPROVEMENT COST			
(50)CURB OR SIDEWALK: LEFT .4165 FT RIGHT .4165 FT				(95) ROADWAY IMPROVEMENT COST			
(51) BRIDGE ROADWAY WIDTH CURB TO CURB			28 FT	(96) TOTAL PROJECT COST			
(52) DECK WIDTH OUT TO OUT			29.417 FT	(97) YEAR OF IMPROVEMENT COST ESTIMATE			
(32) APPROACH ROADWAY WIDTH (W/SHOULDERS)			24 FT	(114)FUTURE ADT	4200	(115) YEAR FUTURE ADT	2025
(33) BRIDGE MEDIAN - No Median		CODE	0	INSPECTIONS			
(34) SKEW 39°	(35) STRUCTURE FLARED		0	(90) INSPECTION DATE			09/09/2013
(10) INVENTORY ROUTE MIN VERT CLEAR			999.9 FT	(92) CRITICAL FEATURE INSPECTION :		(93) CFI DATE	
(47) INVENTORY ROUTE TOTAL HORIZ CLEAR			28 FT	A) FRACTURE CRIT DETAIL -	NO	A)	
(53) MIN VERT CLEAR OVER BRIDGE RDWY			999.9 FT	B) UNDERWATER INSP -	NO	B)	
(54) MIN VERT UNDERCLEAR REF Not a Highway or Railroad			0 FT	C) OTHER SPECIAL INSP	NO	C)	
(55) MIN LAT UNDERCLEAR RT REF Not a Highway or Railroad			000 FT	SCOUR			
(56) MIN LAT UNDERCLEAR LT REF -			000 FT				
NAVIGATION DATA							
(38) NAVIGATION CONTROL - No Navigational Control		CODE	0				
(111)PIER PROTECTION -		CODE					
(39) NAVIGATION VERTICAL CLEARANCE			0				
(116)VERT - LIFT BRIDGE NAV MIN VERT CLEAR			FT				
(40) NAVIGATION HORIZONTAL CLEARANCE			0 FT				

BRIDGE MANAGEMENT UNIT

DATA ON EXISTING STRUCTURE

Run Date: 09/20/2013

COUNTY : PITT DIVISION : 2 DISTRICT : 1 STRUCTURE NUMBER : 730431 LENGTH : 53 FEET

ROUTE CARRIED : SR1591 FEATURE INTERSECTED : PARKERS CREEK

LOCATED : 0.2 MI W JCT SR 1539 BRIDGE NAME : CITY : *GREENVILLE

FUNC. CLASS : 19 SYST.ON : NFA SYST.UNDER : NFA ADT & YR : 2100 2012 RAIL TYPE : LT 233 RT 233

BUILT : 1975 BY : BMU PROJ : FED.AID PROJ : DESIGN LOAD : Unknown

REHAB : BY : PROJ : ALIGNMENT : TAN. SKEW : 51 LANES : ON 2 UNDER 0

NAVIGATION : VC 0 FT HC 0 FT HT. CRN. TO BED : 10 FT WATER DEPTH : 2 FT

SUPERSTRUCTURE : RC FLOOR/TIMBER JOIST (BMD-10 MR)

SUBSTRUCTURE : E.BTS&INT.BTS:TIMBER CAP/TIMBER PILES @ VAR.CTS.

SPANS : 1@17'8;1@17'1;1@18'

BEAMS OR GIRDERS : 22 LINES 6X12 TIMBER JOIST @ VAR. CTS.

FLOOR : 5RC/NO AWS ENCROACHMENT : DECK (OUT TO OUT) : 29.417 FT

CLEAR ROADWAY : 28 FT BETWEEN RAILS : 28.833 FT SIDEWALK OR CURB : LT .4165 FT RT .4165 FT

VERT.CL.OVER : 999.9 FT

INV.RTG. : HS-1 OPE.RTG. : HS-1 CONTR.MEMBER : Ext.joist POSTED : SV 13 TTST 21 DATE 09/20/2013

SYSTEM : Secondary S.R. Route GREEN LINE ROUTE : N

UNDER ROUTES AND CLEARANCES

REMARKS :

BRIDGE INSPECTION RECORD AND SUMMARY

INSPECTION TYPE Routine Inspection
 BRIDGE NO. 730431 COUNTY PITT ROUTE SR1591 OVER PARKERS CREEK
 STRUCTURE TYPE RC FLOOR/TIMBER JOIST (BMD-10 MR)
 ROUTE ORIENTATION W - E SPANS 1@17'8;1@17'1;1@18'

EVALUATION CODES: CRITICAL (C, 0 - 3); POOR (P, 4); FAIR (F, 5, 6); GOOD (G, 7 - 9)

INSPECTION ITEM				ITEM 61				
DECK ITEMS			GRADES					
1. WEARING SURFACE				45. CHANNEL & CHANNEL PROT.	a. WATERWAY		F	
2. DECK NO. OF EA TYPE SPN GRADE RATES SI & A ITEM 58					b. ALIGNMENT		G	
a. CONCRETE		3	F		c. SCOUR		G	
b. TIMBER					d. SLOPE PROT., RIP-RAP, DIKES, ETC.			
3. RAILING				50. APPROACH ROADWAY CONDITION				G
a. CONCRETE				51. APPROACH SLABS				
b. TIMBER				52. PAINT SYSTEM CODE				
c. ALUMINUM				53. UTILITIES				
d. STEEL			G	54. RESPONSE TO LIVE LOAD				G
4. CURBS, WHEELGUARDS, PARAPETS, MEDIANS				55. ESTIMATED REMAINING LIFE				16
5. WALKWAYS (ON OR ATTACHED TO STRUCTURE)				56. REGULATORY SIGN NOTICE ISSUED				NO
6. DECK EXP JTS. OR DEVICES. NO. OF EACH				61. PROMPT-ACTION NOTICE ISSUED				YES
a. STEEL PL OR FINGER				62. PRESENTLY POSTED				YES
b. MISC PREFAB				63. TOT. FIELD INSP TIME (INCLUDE WRITE UP)(MAN HR)				12
c. COMPRESSION SEAL				64. TOTAL SNOOPER INSP. TIME (HRS)				
d. STANDARD JOINTS		2	G	65. TOTAL TRAFFIC CONTROL TIME (MAN HRS)				
e. OPEN JOINTS								
7. DECK DEBRIS (INCLUDES EXCESS SAND/GRAVEL)				70. SI&A GENERAL CONDITION RATINGS				
SUPER STR. (FM. 1 (90)B TRUSS) ITEM 59				a. DECK		ITEM 58	5	
10. LONGITUDINAL BEAMS OR GIRDERS				b. SUPERSTRUCTURE		ITEM 59	7	
11. LONGITUDINAL JOIST OR STRINGERS				c. SUBSTRUCTURE		ITEM 60	6	
12. INT. DIAP'S, X-FRAMES, BRACING & CONN'S				d. CHANNEL & CHANNEL PROT.		ITEM 61	6	
13. END DIAP'S, CURTAIN WALLS, & CONN'S				71. SI&A FIELD APPRAISAL RATINGS				
14. FLOOR BEAMS AND CONNECTIONS				a. WATERWAY ADAQUACY			7	
15. BEARING ASSEMBLIES (INCLUDING MISALIGN)				b. APPR. RDWY. ALIGNMENT			8	
16. DRAINAGE SYSTEM (ON STRUCTURE)				72. FIELD SCOUR EVALUATION				0
17. MOVABLE SPAN MACHINERY								
SUB STR. ITEMS. ITEM 60 (INCLUDE SCOUR)				USE OF INSP. ACCESSIBILITY EQUIPMENT				
35. TIM SUB STR.				a. ABUT. & INT. BENT CAPS & RISERS		G		
				b. PILES, POST, SILLS, & BRACING		F	SNOOPER (CODE S, 4, OR N) HRS NO	
				c. BULKHEADS, WING'S, & TIE BACKS		F	LADDER NO	
36. CONC SUB STR.				a. ABUT. & INT. BENT CAPS			BUCKET TRUCK NO	
				b. ABUT. & BENT COL'S BREASTWALLS			BOAT NO	
				c. ABUT. & INT. BENT PILES			OTHER NO	
				d. BACKWALLS, WING'S, RETAIN. WALLS				
				e. ABUT. & BENT FOOTINGS & SILLS				
37. STEEL SUB STR.				a. ABUT. & INT. BENT CAPS & RISERS			SPECIAL INSPECTION REQUESTED FOR	
				b. PILES, BRACING, AND BULKHEADS				
38. FOUNDATION PILES TYPE MATERIAL				NOTE				
39. SLOPE PROT., RIP-RAP (INCLUDE DRAINAGE)				G				
40. FENDER SYSTEMS				80. INSPECTED BY:		TSE		
41. DRIFT				81. REVIEWED BY:		FC		

**BRIDGE INSPECTION RECORD AND SUMMARY
FOR SHORED STRUCTURES OR STRUCTURES
WITH TEMPORARY REPAIRS MADE TO KEEP
A BRIDGE OPEN**

BRIDGE: 431 COUNTY: Pitt DATE: 9-22-11

THE FOLLOWING S. I. & A ITEMS ARE TO BE CODED TO REFLECT THE FACT THAT THE STRUCTURE IS SHORED OR HAS HAD TEMPORARY REPAIRS MADE TO KEEP THE BRIDGE OPEN :

	<u>CODE</u>	<u>BY</u>
S I & A ITEM 103 - TEMPORARY STRUCTURE DESIGNATION	T	TSC
S I & A ITEM 59 - SUPERSTRUCTURE		
S I & A ITEM 60 - SUBSTRUCTURE	5	TSC 9/22/11
S I & A ITEM 64 OPERATING RATING		
HS		BY:
S I & A ITEM 66 - INVENTORY RATING		
HS		BY:

COMMENTS

*Piles 1 & 6 @ BT. 2 Are Encased with Concrete.
Temporary Repairs*

Bridge I&A Form 1(82)H State of North Carolina Dept. of Transportation Division of Highways		<h2 style="margin: 0;">FIELD INSPECTION REPORT</h2> <p style="margin: 0;"><u>Bridge Inspection & Analysis</u></p>	
Team Leader BG LITTLETON, JR.			
Assisted By PD IPOCK			
Item No.	Grade		
2a	F	(CONC. DECK) LONGITUDINAL & TRANSVERSE CRACKS IN SPANS WITH PORTIONS SEALED IN SPANS 1 & 2. (PHOTOS)	
6d	G	(STANDARD JOINTS) TWO STANDARD JOINTS LOCATED OVER BTS.1 & 2.	
10A	NO	PORTION OF BT.1 JOINT MATERIAL MISSING IN THE RT LANE. (PHOTO) (CURVED GIRDERS) NO CURVED GIRDERS	
11	G	(TIMBER JOIST) J-9 IN SPAN 2 IS WET AT THE END OVER BT 1 DUE TO LEAKAGE THRU EXPANSION JOINT. SIMILAR THRU OUT AT INTERIOR BENTS 1 & 2.	
35a	G	J-1 IN SP 3 HAS A SECTION MISSING TO 3 1/2"W INTO LT FACE X BOTTOM UP 2"H X MIDSPAN BACK 30" LONG. (TIMBER CAPS & CROWNS) LT END OF NEW SUBCAP AT BENT 1 IS DECAYED TO 4"W X 6 1/2"H X END IN 5" TO 8" LONG. (PHOTO) REPLACED CAPS & CROWNS PER PREVIOUS P/A'S;	
35b	F	EBT.1 SUBCAP. BT.1 CROWN, MAIN CAPS & SUBCAP. BT.2 CROWN & MAIN CAPS. (TIMBER PILES & BRACING) PILES 1 & 6 @ BT.2 REPAIRED WITH STUB & COLLAR. NO BRACING @ THE INTERIOR BTS. DELAMINATION NOTED AT RANDOM PILES.	

Bridge I&A Form 1(82)H		<h1>FIELD INSPECTION REPORT</h1> <p><u>Bridge Inspection & Analysis</u></p>	
State of North Carolina			
Dept. of Transportation			
Division of Highways			
Team Leader BG LITTLETON, JR.			
Assisted By PD IPOCK			
Item No.	Grade		
35c	F	<p>(TIMBER BULKHEADS/WINGS)</p> <p>BULKHEAD BOARD #2 BELOW END BT 1 MAIN CAP IS DECAYED BETWEEN P-1 & P-2. SIMILAR BETWEEN P-2 & P-3.</p> <p>BULKHEAD BOARD #3 BELOW END BT 1 MAIN CAP IS DECAYED BETWEEN P-5 & P-6.</p> <p>THE SW WINGWALL PILE IS DECAYED & HAS FALLEN OVER.</p> <p>THE SW EXTERIOR BULKHEAD IS DECAYED.</p> <p>BULKHEAD BOARD #2 BELOW END BT 2 MAIN CAP IS DECAYED BETWEEN P-4 & P-5.</p> <p>THE NE EXTERIOR BULKHEAD IS DECAYED.</p> <p>SE EXTERIOR BULKHEAD DECAYED @ THE TOP.</p>	
39	G	<p>(SLOPE PROTECTION)</p> <p>RIP RAP PLACED AT BOTH END BENTS.</p>	
41	P	<p>(DRIFT)</p> <p>PM ISSUED FOR;</p>	
45a	F	<p>LARGE DRIFT PILE AT SPAN 1, BT 1 & SPAN 2. (PHOTOS)</p> <p>(WATERWAY)</p> <p>LARGE DRIFT PILE OBSTRUCTS WATERWAY AND DIVERTS FLOW TOWARDS BT 2.</p>	
50	G	<p>(APPROACH ROADWAY)</p> <p>NO NOTEWORTHY PROBLEMS @ TIME OF INSPECTION.</p>	
62	YES	<p>(PRESENTLY POSTED)</p> <p>SV - 16 TONS, TTST - 23 TONS</p>	


BRIDGE INSPECTOR'S RECOMMENDATION FOR MAINTENANCE REPAIRS

Bridge: 730431

County PITT

Date: 09/09/2013

These Repairs Should Be Made Within Twelve Months From Date Of This Inspection

MMS Code	Description of Function	Unit	Quantity	Remarks	Est. Cost
 3366	Drift and Debris Removal	HR	100 <i>TSE</i> <i>10/24/13</i>	(PM)-LARGE DRIFT PILE AT SPAN 1, BT 1 & SPAN 2. (PHOTO 1 OF 3) (PM)-LARGE DRIFT PILE AT SPAN 2 SIDE OF BENT 1. (PHOTO 2 OF 3) LOOKING EAST, CURRENT POSTING; SV-16 TTST-23 TONS. (PHOTO 3 OF 3)	
3310	Maintenance/Repair/Replacement of Standard Bridge Expansion Joints	LF	15	BT 1 JOINT MISSING FILLER AT RT LANE.	
3326	Maintain Concrete Deck	SF	540	DECK HAS CRACKS & DELAMINATION.	
3344	Repair / Replace Timber Substructure Components	LF	11	BT 1 SUBCAP DECAYED.	
3346	Repair / Maintain Timber Wings & Blkhds	SF	90	BOARDS DECAYED AT END BENTS.	

Key

 Priority Maintenance Item

 Critical Finding Item

 Priority Maintenance Level Not Determined

BRIDGE INSPECTOR'S RECOMMENDATION FOR PRIORITY MAINTENANCE REPAIRS

Bridge: 730431 County PITT

THE FOLLOWING MAINTENANCE ITEMS HAVE BEEN SUBMITTED IN CONJUNCTION WITH A PRIORITY MAINTENANCE REQUEST

MMS Code	MMS Description	Quantity
3366	Drift and Debris Removal	100 HR
Location:		
Pier Substructure	Bent/Span No. 1	HYDRAULIC OPENING
Priority Level	Status	
Priority Maintenance	Division Bridge Maintenance Notification	
Submitted Date:	Submitted By:	Assisted By:
09/09/2013	BG LITTLETON, JR.	PD IPOCK
Details		
(PM)-LARGE DRIFT PILE AT SPAN 1, BT 1 & SPAN 2. (PHOTO 1 OF 3) (PM)-LARGE DRIFT PILE AT SPAN 2 SIDE OF BENT 1. (PHOTO 2 OF 3) LOOKING EAST, CURRENT POSTING; SV-16 TTST-23 TONS. (PHOTO 3 OF 3)		



SIMILAR DECK WITH CRACKS AND PORTIONS SEALED IN LT LANE OF SPANS 1 & 2. OTHERS NOT SEALED IN RT LANES IN SPANS 2 & 3.



LONGITUDINAL CRACKS IN SPANS 2 & 3.



JOINT MATERIAL MISSING AT BT 1, RT LANE.



(PM)-LARGE DRIFT PILE AT SPAN 2 SIDE OF BENT 1.



LT END OF BENT 1 SUBCAP DECAYED.

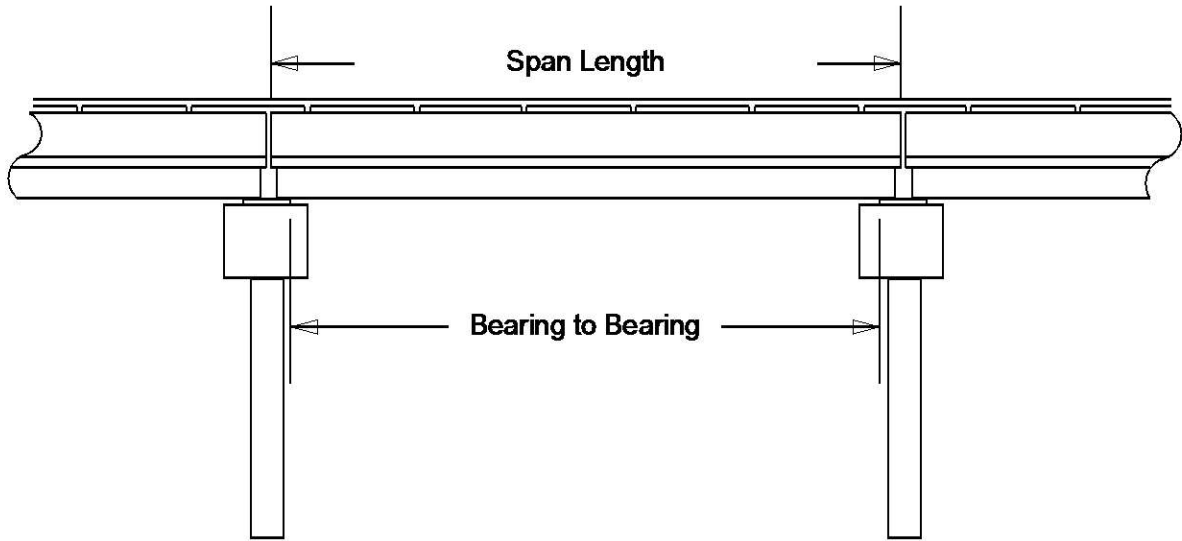


(PM)-LARGE DRIFT PILE AT SPAN 1, BT 1 & SPAN 2.

Structure Data Worksheet

Spans

County: PITT Structure No: 730431 Date: 09/09/2013 Inspected By: BGL



Span No	Span Length	Bearing to Bearing	Comments
1	17.667'	16.75'	
2	17.083'	17.083'	
3	18'	17.083'	

Stream Bed Soundings

(See next sheet for profile sketch)

Bridge No: 730431 County: PITT Date: 09/09/2013 By: BGL

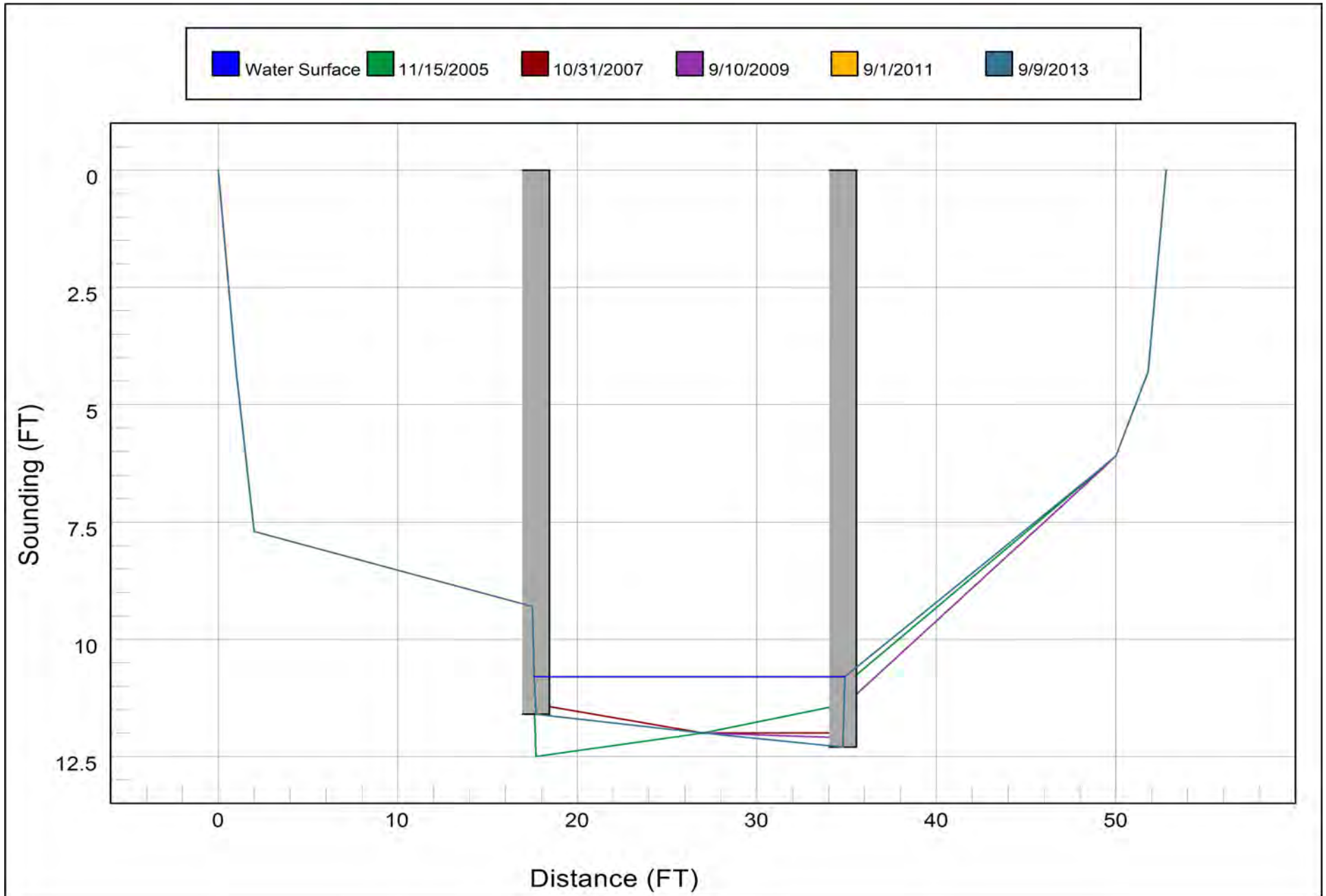
Record sounding from top of rail. Other location if needed: TOP OF RAILS

Distance from Highwater Mark to top of rail: 2.8 Location of Highwater Mark: DECK

DOWNSTREAM			UPSTREAM		
Distance (Station) (ft)	Sounding (ft)	Description	Distance (Station) (ft)	Sounding (ft)	Description
0	0		0	0	
1	4.3	TOP OF CAP			
2	7.7	STONE AT CAP	2	4.7	STONE AT CAP
17.5	9.3	STONE			
17.6	10.8	WSWE/ SOUTH			
17.7	11.6	BENT 1	17.7	11.7	BENT 1 (DRIFT)
27	12				
34.8	12.3	BENT 2	34.8	11.7	BENT 2
34.9	10.8	WSWE			
50	6.1	STONE AT CAP	50	6.6	STONE AT CAP
51.8	4.3	TOP OF CAP			
52.8	0		52.8	0	

STREAMBED PROFILE (Downstream)

Top of Rail = 0 FT (Sounding)



Bridge Inspection Field Sketch



Roadway	24ft Wide	2 Paved Lanes	Looking East
Left Shoulder	10ft Wide		10ft Unpaved
Right Shoulder	10ft Wide		10ft Unpaved
Left Guardrail			
Right Guardrail			

VERIFIED 9-9-13 BY BGL

Title

730431 APPROACH ROADWAY/ WEST APPROACH

Description

LOOKING EAST.

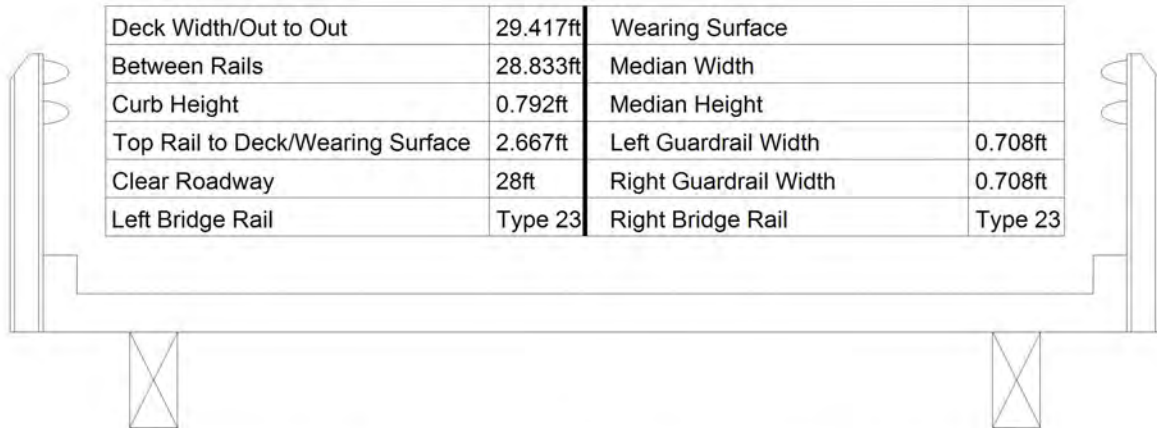
Bridge No: 730431

Drawn By: P.D.IPOCK

Date: 9-1-2011

File Name: S0050001365

Bridge Inspection Field Sketch



Measurements for Span #	3	Measurements Similar For Spans 1 & 2	
Deck Thickness	0.417	Left Overhang	0.657
Top of Rail to Bottom of Beam	4.167	Right Overhang	0.657

Beam No	Beam Type	Spacing	Comments
1	Timber (Rectangular)	1.583ft	Similar Timber (Rectangular) Joist Size (5- 3/4" X 11- 3/4")
2	Timber (Rectangular)	1.333ft	
3	Timber (Rectangular)	1.333ft	
4	Timber (Rectangular)	1.333ft	
5	Timber (Rectangular)	1.333ft	
6	Timber (Rectangular)	1.333ft	
7	Timber (Rectangular)	1.333ft	
8	Timber (Rectangular)	1.333ft	
9	Timber (Rectangular)	1.333ft	
10	Timber (Rectangular)	1.333ft	
11	Timber (Rectangular)	1.333ft	
12	Timber (Rectangular)	1.333ft	
13	Timber (Rectangular)	1.333ft	
14	Timber (Rectangular)	1.333ft	
15	Timber (Rectangular)	1.333ft	
16	Timber (Rectangular)	1.333ft	
17	Timber (Rectangular)	1.333ft	
18	Timber (Rectangular)	1.333ft	
19	Timber (Rectangular)	1.333ft	
20	Timber (Rectangular)	1.333ft	
21	Timber (Rectangular)	1.25ft	
22	Timber (Rectangular)		

VERIFIED 9-9-13 BY BGL

Title

730431 SUPERSTRUCTURE/ SPAN 3

Description

SIMILAR SECTION.

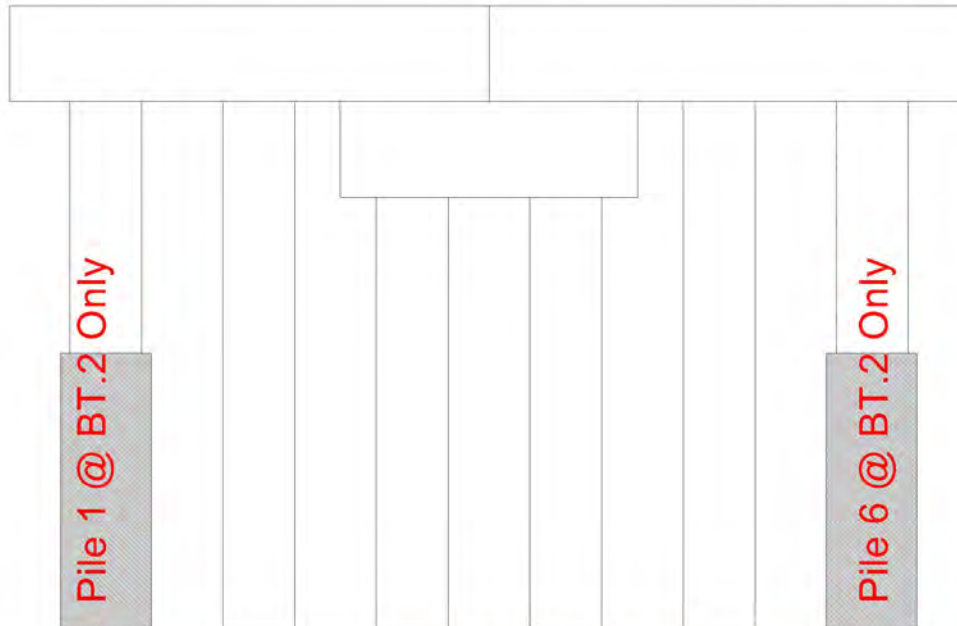
Bridge No: 730431

Drawn By: P.D.IPOCK

Date: 9-1-2011

File Name: S0050001366

Bridge Inspection Field Sketch



Bent #	1	End Bents 1 & 2 And Bent 2 Except Piles 1 & 6 Encased Similar	
Cap - Beam Type (Wood or Steel)			
Cap Size	40.626ft Long	1.042ft Wide	0.979ft High
Left Overhang	1.458ft	Lt Cap/Beam Overhang	1.208ft
Right Overhang	1.667ft	Rt Cap/Beam Overhang	1.75ft
Timber Sub Cap			
Size	10.875ft Long	1ft Wide	0.958ft High
Left pile to splice	3.167ft		
Left Overhang	1.833ft		
Right Overhang	1.125ft		

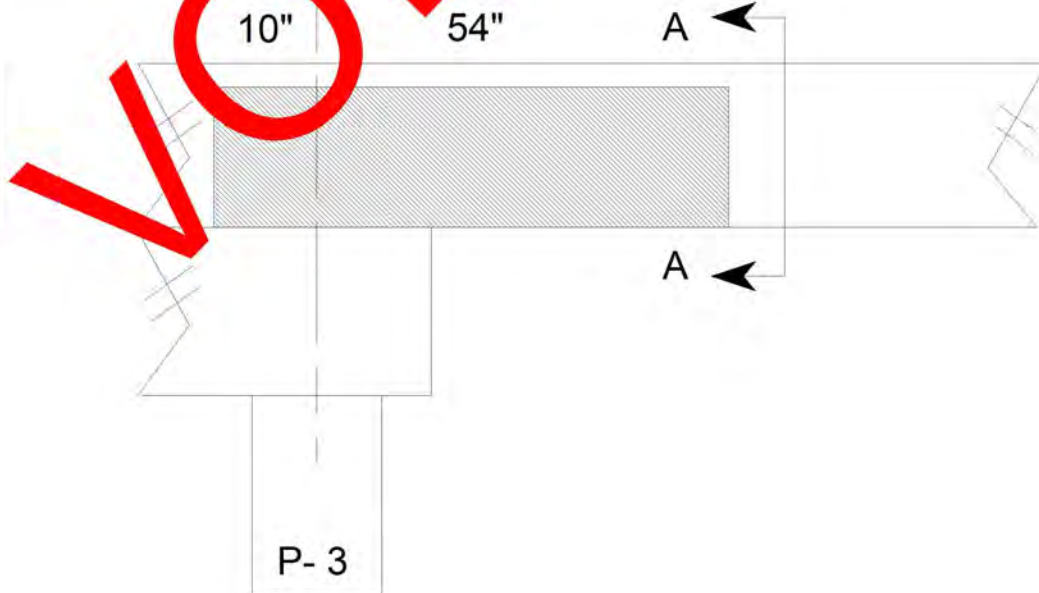
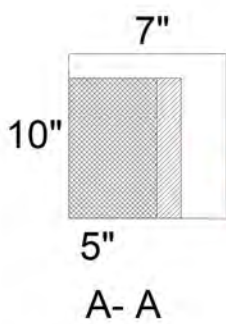
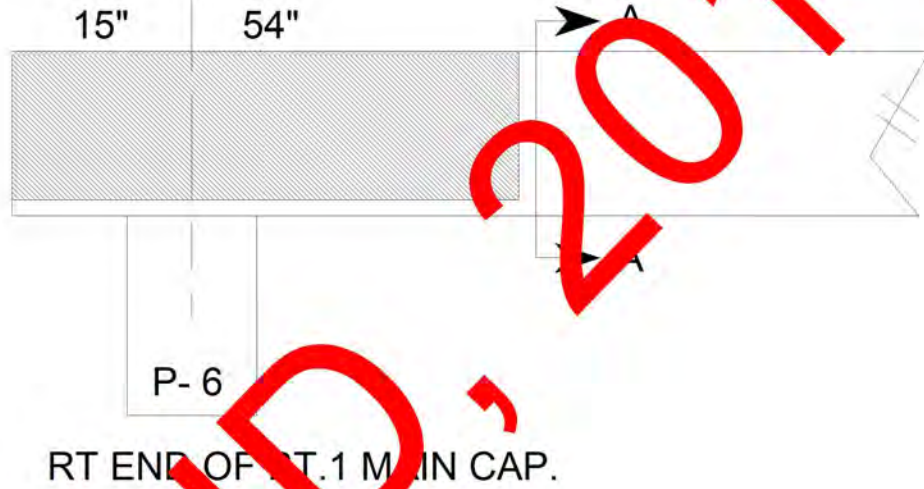
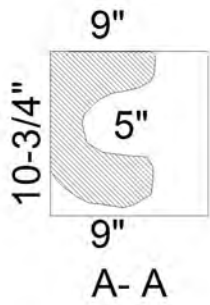
Pile #	Material	Pile Type	Spacing	Length	Width/Diam.	Height	Orientation
1	Wood or Timber	Pile Bent	7.75'		12" Avg. Dia.		Vertical
2	Wood or Timber	Pile Bent	7.667'		12" Avg. Dia.		Vertical
3	Wood or Timber	Pile Bent	7.917'		12" Avg. Dia.		Vertical
4	Wood or Timber	Pile Bent	7'		12" Avg. Dia.		Vertical
5	Wood or Timber	Pile Bent	7.167'		12" Avg. Dia.		Vertical
6	Wood or Timber	Pile Bent			12" Avg. Dia.		Vertical

Replaced Crowns & Caps; (2011)
EBT.1, New Subcap
BT.1, New Crown, Main Cap & Subcap
BT.2, New Crown & Main Cap
EBT.2, NONE

VERIFIED 9-9-13 BY BGL

Title 730431 SUBSTRUCTURE/ BT.1	Description SIMILAR EBTS. & BT.2		
Bridge No: 730431	Drawn By: P.D.IPOCK	Date: 9-1-2011	File Name: S0050001367

Bridge Inspection Field Sketch



SP.2 FACE OF BT.1 CAP RT & LT OF P- 3.

DRAWING NOT TO SCALE

Title

PM- 2009, BENT 1 CAP

Description

RT END & SPAN 2 FACE OF BENT 1
MAIN CAP.

Bridge No: 730431

Drawn By: PD IPOCK

Date: 9/10/2009

File Name: T0050002793



LOOKING EAST, SR 1591



LOOKING EAST



STANDARD FILLED JOINT OVER BENT 1. (SIMILAR OVER BT 2)



LOOKING UPSTREAM-NORTH



LOOKING DOWNSTREAM-SOUTH



LOOKING WEST, SR 1591



SOUTH SIDE, LOOKING WEST



SPAN 2 UNDERSIDE. (SPANS 1 & 3 SIMILAR)



END BENT 2. (EB 1 SIMILAR)



SPAN 2 SIDE OF BT 2. (P-1 & 6 HAVE TEMP. REPAIRS) (BT 1 SIMILAR WITH NO REPAIRS TO PILES.)



NORTH SIDE, LOOKING EAST



NC DEPARTMENT OF TRANSPORTATION
 DIVISION OF HIGHWAYS
 BRIDGE MANAGEMENT UNIT

ATTENTION

MVC & MMVC REVISED

BRIDGE INSPECTION REPORT

INSPECTION TYPE: Routine Inspection

COUNTY PITT BRIDGE NUMBER 730464 INSPECTION CYCLE 2 YRS 80
 ROUTE US264 EB ACROSS US13/NC11/NC903/CSX RR
 ROUTE US264 ACROSS US13 & NC11 M.P. 0

LOCATION JCT.US264&US13/11

SUPERSTRUCTURE RC FLOOR/STEEL PLATE GIRDERS

SUBSTRUCTURE E.BTS:RC CAP/PPC PILES;INT.BTS:RCP&B/PPC PILES

SPANS 1@94';1@100';1@94'

LONGITUDE 77° 21' 48.27"

LATITUDE 35° 39' 32.41"

INSPECTION DATE 09/16/2013

PRESENT CONDITION GOOD

PRESENT POSTING Not Posted NOT POSTED

PROPOSED POSTING

OTHER SIGNS PRESENT NONE



LOOKING EAST

Fracture Critical	<u>No</u>
Temporary Shoring	<u>No</u>
Scour Critical	<u>No</u>
Scour POA	<u>No</u>

SIGN NOTICE ISSUED FOR	NUMBERED REQUIRED
<u>No</u> WEIGHT LIMIT	<u> </u>
<u>No</u> DELINEATORS	<u> </u>
<u>No</u> NARROW BRIDGE	<u> </u>
<u>No</u> ONE LANE BRIDGE	<u> </u>
<u>No</u> LOW CLEARANCE	<u> </u>

NATIONAL BRIDGE INVENTORY----- STRUCTURE INVENTORY AND APPRAISAL

Run Date: 09/26/2013

IDENTIFICATION

(1) STATE NAME -NORTH CAROLINA BRIDGE **730464**
 (8) STRUCTURE NUMBER(FEDERAL) 000000001470464
 (5) INVENTORY ROUTE (ON/UNDER) - ON 23002640
 (2) STATE HIGHWAY DEPARTMENT DISTRICT 1
 (3) COUNTY CODE 147 (4) PLACE CODE 28080
 (6) FEATURE INTERSECTED - US13 & NC11/903CSX RR
 (7) FACILITY CARRIED US264E
 (9) LOCATION JCT.US264&US13/11
 (11)MILEPOINT 0
 (16)LAT 35° 39' 32.41" (17)LONG 77° 21' 48.27"
 (98)BORDER BRIDGE STATE CODE PCT SHARE
 (99)BORDER BRIDGE STRUCTURE NO

SUFFICIENCY RATING = 87.17
 STATUS = Not Deficient

CLASSIFICATION **CODE**

(112)NBIS BRIDGE SYSTEM - YES
 (104)HIGHWAY SYSTEM Is not on NHS 0
 (26) FUNCTIONAL CLASS - Other Principal Arterial 14
 (100)STRAHNET HIGHWAY - Not a STRAHNET Route 0
 (101)PARALLEL STRUCTURE - Right Parallel Structure R
 (102)DIRECTION OF TRAFFIC - 1-way Traffic 1
 (103)TEMPORARY STRUCTURE -
 (110)DESIGNATED NATIONAL NETWORK - On the National Network 1
 (20) TOLL On Free Road 3
 (31) MAINTAIN - State Highway Agency 01
 (22) OWNER - State Highway Agency 01
 (37) HISTORICAL SIGNIFICANCE - Not Eligible 5

STRUCTURE TYPE AND MATERIAL

(43) STRUCTURE TYPE MAIN: Steel
 TYPE - Stringer Mutlibeam or Girder CODE 302
 (44) STRUCTURE TYPE APPR :
 TYPE - CODE 000
 (45) NUMBER OF SPANS IN MAIN UNIT 3
 (46) NUMBER OF APPROACH SPANS
 (107)DECK STRUCTURE TYPE - 1 CODE
 (108)WEARING SURFACE / PROTECTIVE SYSTEM :
 (A) TYPE OF WEARING SURFACE - CODE
 (B) TYPE OF MEMBRANE - CODE
 (C) TYPE OF DECK PROTECTION - CODE

CONDITION **CODE**

(58) DECK 7
 (59) SUPERSTRUCTURE 7
 (60) SUBSTRUCTURE 7
 (61) CHANNEL & CHANNEL PROTECTION N
 (62) CULVERTS N

LOAD RATING AND POSTING **CODE**

(31) DESIGN LOAD HS 20 + MOD 6
 (63) OPERATING RATING METHOD - Load Factor 1
 (64) OPERATING RATING - HS-55 99
 (65) INVENTORY RATING METHOD - Load Factor 1
 (66) INVENTORY RATING - HS-34 61
 (70) BRIDGE POSTING - No Posting Required 5
 (41) STRUCTURE OPEN, POSTED ,OR CLOSED A
 DESCRIPTION - Open, No Restriction

AGE AND SERVICE

(27) YEAR BUILT 1993
 (106)YEAR RECONSTRUCTED
 (42) TYPE OF SERVICE : ON - Highway
 UNDER - Highway - Railroad CODE 14
 (28) LANES: ON STRUCTURE 3 UNDER STRUCTURE 6
 (29) AVERAGE DAILY TRAFFIC 6000
 (30) YEAR OF ADT 2012 (109) TRUCK ADT PCT 12%
 (19) BYPASS OR DETOUR LENGTH 0 MI

APPRAISAL **CODE**

(67) STRUCTURAL EVALUATION 7
 (68) DECK GEOMETRY 4
 (69) UNDERCLEARANCES,VERTI & HORIZ 6
 (71) WATERWAY ADEQUACY N
 (72) APPROACH ROADWAY ALIGNMENT 8
 (36) TRAFFIC SAFETY FEATURES 1111
 (113)SCOUR CRITICAL BRIDGES N

GEOMETRIC DATA

(48) LENGTH OF MAXIMUM SPAN 100 FT
 (49) STRUCTURE LENGTH 289 FT
 (50)CURB OR SIDEWALK: LEFT 0 FT RIGHT 0 FT
 (51) BRIDGE ROADWAY WIDTH CURB TO CURB 45.833 FT
 (52) DECK WIDTH OUT TO OUT 49 FT
 (32) APPROACH ROADWAY WIDTH (W/SHOULDERS) 40 FT
 (33) BRIDGE MEDIAN - No Median CODE 1
 (34) SKEW 0° (35) STRUCTURE FLARED 0
 (10) INVENTORY ROUTE MIN VERT CLEAR 999.9 FT
 (47) INVENTORY ROUTE TOTAL HORIZ CLEAR 45.833 FT
 (53) MIN VERT CLEAR OVER BRIDGE RDWY 999.9 FT
 (54) MIN VERT UNDERCLEAR REF Highway 23.833 FT
 (55) MIN LAT UNDERCLEAR RT REF Highway 13 FT
 (56) MIN LAT UNDERCLEAR LT REF - 14.5 FT

PROPOSED IMPROVEMENTS

(75) TYPE OF WORK - CODE
 (76) LENGTH OF STRUCTURE IMPROVEMENT
 (94) BRIDGE IMPROVEMENT COST
 (95) ROADWAY IMPROVEMENT COST
 (96) TOTAL PROJECT COST
 (97) YEAR OF IMPROVEMENT COST ESTIMATE
 (114)FUTURE ADT 12000 (115) YEAR FUTURE ADT 2025

INSPECTIONS

(90) INSPECTION DATE 09/16/2013
 (92) CRITICAL FEATURE INSPECTION : (93) CFI DATE
 A) FRACTURE CRIT DETAIL - NO A)
 B) UNDERWATER INSP - NO B)
 C) OTHER SPECIAL INSP NO C)
 SCOUR

NAVIGATION DATA

(38) NAVIGATION CONTROL - Not Applicable CODE N
 (111)PIER PROTECTION - CODE
 (39) NAVIGATION VERTICAL CLEARANCE 0
 (116)VERT - LIFT BRIDGE NAV MIN VERT CLEAR FT
 (40) NAVIGATION HORIZONTAL CLEARANCE 0 FT

Structure No: 730464

County: PITT

Run Date:

Span Number	Feature Intersected	Inventory Route	Minimum Maximum Vertical Clearance	Milepoint	Base Highway Network	LRS Inventory Route	Toll	Functional Classification	Nuner of Lanes	Average Daily Traffic	Year of Average Daily Traffic	Total Horizontal Clearance	See Note 1							
													Reference Feature	Minimum Vertical Underclearance	Right Lateral Underclearance	Left Lateral Underclearance	Underclearance Appraisal Grade	STRAHNET Highway Designator	Direction of Traffic	Highway System of Route
	6	5	10	11	12	13	20	26	28	29	30	47	54A	54	55	56	69	100	102	104
1	US13S,NC11S,NC903S	21000130	24.5	80	1	20013		14	2	9000	2012	46	H	23.83	13	14.5	9	0	1	0
2	US13N,NC11N,NC903N	21000130	24.08	80	1	20013		14	4	9000	2012	93	H	23.67	48	26.42	9	0	1	0
3	CSX RR	80000000		0					0	0	0		R	23.5	19		9			

Note 1: Items 54, 55, and 56 are not reported FHWA under route data points but are collected for each under route to determine the minimum value for Underclearance Appraisal Item 69. The under route that generates the lowest Underclearance Appraisal value will be reported on the Facility Carried record.

BRIDGE MANAGEMENT UNIT

DATA ON EXISTING STRUCTURE

Run Date: 09/26/2013

COUNTY : PITT DIVISION : 2 DISTRICT : 1 STRUCTURE NUMBER : 730464 LENGTH : 289 FEET

ROUTE CARRIED : US264E FEATURE INTERSECTED : US13 & NC11/903CSX RR

LOCATED : JCT.US264&US13/11 BRIDGE NAME : CITY : GREENVILLE

FUNC. CLASS : 14 SYST.ON : FA SYST.UNDER : NFA ADT & YR : 6000 2012 RAIL TYPE : LT 41 RT 41

BUILT : 1993 BY : DOH PROJ : 8.T220803 FED.AID PROJ : F-111-1(3) DESIGN LOAD : HS 20 + MOD

REHAB : BY : PROJ : ALIGNMENT : TAN SKEW : 90 LANES : ON 3 UNDER 6

NAVIGATION : VC 0 FT HC 0 FT HT. CRN. TO BED : 0 FT WATER DEPTH : 0 FT

SUPERSTRUCTURE : RC FLOOR/STEEL PLATE GIRDERS

SUBSTRUCTURE : E.BTS:RC CAP/PPC PILES;INT.BTS:RCP&B/PPC PILES

SPANS : 1@94';1@100';1@94'

BEAMS OR GIRDERS : 6 LINES STEEL PLATE GIRDERS @ 8.229' CTS.

FLOOR : 8.5 RC/NO AWS ENCROACHMENT : DECK (OUT TO OUT) : 49 FT

CLEAR ROADWAY : 45.833 FT BETWEEN RAILS : 45.833 FT SIDEWALK OR CURB : LT 0 FT RT 0 FT

VERT.CL.OVER : 999.9 FT

INV.RTG. : HS-34 OPE.RTG. : HS-55 CONTR.MEMBER : A Mid POSTED : SV TTST DATE

SYSTEM : Primary U.S. Route GREEN LINE ROUTE : Y

UNDER ROUTES AND CLEARANCES

Span	Route Description	Vertical Clearances		Horizontal Clearances		
		MMVC	MVC	Total	Left	Right
1	US13S,NC11S,NC903S	24.50	23.8330	46	14.50	13
2	US13N,NC11N,NC903N	24.0830	23.6670	93	26.4170	48
3	CSX RR	0	23.50	0	0	19

Note: All measurements are in feet.

REMARKS :

BRIDGE INSPECTION RECORD AND SUMMARY

INSPECTION TYPE Routine Inspection
 BRIDGE NO. 730464 COUNTY PITT ROUTE US264 OVER US13 & NC11
 STRUCTURE TYPE RC FLOOR/STEEL PLATE GIRDERS
 ROUTE ORIENTATION W - E SPANS 1@94';1@100'7;1@94'

EVALUATION CODES: CRITICAL (C, 0 - 3); POOR (P, 4); FAIR (F, 5, 6); GOOD (G, 7 - 9)

INSPECTION ITEM				ITEM 61				
DECK ITEMS			GRADES					
1. WEARING SURFACE								
2. DECK NO. OF EA TYPE SPN GRADE RATES SI & A ITEM 58	a. CONCRETE	3	G	45. CHANNEL & CHANNEL PROT.	a. WATERWAY			
	b. TIMBER				b. ALIGNMENT			
	c. STEEL PLANK				c. SCOUR			
	d. OPEN GRID				d. SLOPE PROT., RIP-RAP, DIKES, ETC.			
3. RAILING								
	a. CONCRETE		F	50. APPROACH ROADWAY CONDITION			G	
	b. TIMBER			51. APPROACH SLABS			F	
	c. ALUMINUM			52. PAINT SYSTEM CODE T			G	
	d. STEEL			53. UTILITIES				
4. CURBS, WHEELGUARDS, PARAPETS, MEDIANS								
5. WALKWAYS (ON OR ATTACHED TO STRUCTURE)								
6. DECK EXP JTS. OR DEVICES. NO. OF EACH	a. STEEL PL OR FINGER			60. REGULATORY SIGN NOTICE ISSUED			NO	
	b. MISC PREFAB			61. PROMPT-ACTION NOTICE ISSUED			NO	
	c. COMPRESSION SEAL	4	F	62. PRESENTLY POSTED			NO	
	d. STANDARD JOINTS			63. TOT. FIELD INSP TIME (INCLUDE WRITE UP)(MAN HR)			12	
	e. OPEN JOINTS			64. TOTAL SNOOPER INSP. TIME (HRS)				
7. DECK DEBRIS (INCLUDES EXCESS SAND/GRAVEL)				F	65. TOTAL TRAFFIC CONTROL TIME (MAN HRS)			
				70. SI&A GENERAL CONDITION RATINGS				
SUPER STR. (FM. 1 (90)B TRUSS) ITEM 59				a. DECK ITEM 58			7	
10. LONGITUDINAL BEAMS OR GIRDERS				G	b. SUPERSTRUCTURE ITEM 59			7
11. LONGITUDINAL JOIST OR STRINGERS					c. SUBSTRUCTURE ITEM 60			7
12. INT. DIAP'S, X-FRAMES, BRACING & CONN'S				G	d. CHANNEL & CHANNEL PROT. ITEM 61			
13. END DIAP'S, CURTAIN WALLS, & CONN'S				G				
14. FLOOR BEAMS AND CONNECTIONS					71. SI&A FIELD APPRAISAL RATINGS			
15. BEARING ASSEMBLIES (INCLUDING MISALIGN)				G	a. WATERWAY ADAQUACY			
16. DRAINAGE SYSTEM (ON STRUCTURE)				F	b. APPR. RDWY. ALIGNMENT			8
17. MOVABLE SPAN MACHINERY								
					72. FIELD SCOUR EVALUATION			N
SUB STR. ITEMS. ITEM 60 (INCLUDE SCOUR)								
35. TIM SUB STR.	a. ABUT. & INT. BENT CAPS & RISERS			USE OF INSP. ACCESSIBILITY EQUIPMENT				
	b. PILES, POST, SILLS, & BRACING			SNOOPER (CODE S, 4, OR N)		HRS	NO	
	c. BULKHEADS, WING'S, & TIE BACKS			LADDER			NO	
36. CONC SUB STR.	a. ABUT. & INT. BENT CAPS			G	BUCKET TRUCK		NO	
	b. ABUT. & BENT COL'S BREASTWALLS			G	BOAT		NO	
	c. ABUT. & INT. BENT PILES				OTHER		NO	
	d. BACKWALLS, WING'S, RETAIN. WALLS			G				
	e. ABUT. & BENT FOOTINGS & SILLS							
37. STEEL SUB STR.	a. ABUT. & INT. BENT CAPS & RISERS			SPECIAL INSPECTION REQUESTED FOR				
	b. PILES, BRACING, AND BULKHEADS							
38. FOUNDATION PILES TYPE MATERIAL				NOTE				
39. SLOPE PROT., RIP-RAP (INCLUDE DRAINAGE)				G				
40. FENDER SYSTEMS				80. INSPECTED BY: <i>B. G. [Signature]</i>				
41. DRIFT				81. REVIEWED BY:				

Bridge I&A Form 1(82)H		FIELD INSPECTION REPORT <u>Bridge Inspection & Analysis</u>	
State of North Carolina Dept. of Transportation Division of Highways			
Team Leader BG LITTLETON, JR.			
Assisted By PD IPOCK			
Item No.	Grade		
2a	G	(RC DECK) HL TO 1/16" LONGITUDINAL CRACKS EXTEND FROM BT 2 COMPRESSION SEAL IN SPANS 2 & 3, LT LANE. SIMILAR AT OTHER LANES & SPANS. DECK IN SPAN 2 & 3 HAS TRANSVERSE CRACKS TO 1/16" ADJACENT TO BENT 2 JOINT. SIMILAR CRACKS NEAR BENT 1 IN SPANS 1 & 2.	
3a	F	(RC RAILING) HL CRACKS, SOME W/EFFLO THRU OUT INTERIOR & EXTERIOR FACES. (PHOTO)	
6c	F	(COMPRESSION SEALS) DEBRIS AT SHOULDER SECTIONS OF ALL COMPRESSION SEALS. (PHOTO)	
7	F	LOCATED OVER END BENTS 1 & 2 AND INTERIOR BTS 1 & 2. (DECK DEBRIS)	
10	G	DEBRIS ALONG THE RT RAIL WITH SIGNS OF PONDING. MINOR DEBRIS ALONG THE LT RAIL. (PHOTO) (STEEL PLATE GIRDERS)	
10A	NO	NO NOTEWORTHY DEFECTS. (CURVED GIRDERS)	
12	G	NO CURVED GIRDERS (INTERIOR DIAPHRAGMS)	
13	G	NO NOTEWORTHY DEFECTS. (CURTAIN WALLS)	
16	F	RANDOM HL CRACKS, SOME WITH EFFLO. (DRAINAGE)	
52	G	RESTRICTED BY DEBRIS WITH SIGNS OF PONDING. (PHOTO) (PAINT SYSTEM)	
36a	G	WEATHERING STEEL WITH BEAM ENDS PAINTED WITH WATER BASED ACRYLIC. NO NOTEWORTHY PROBLEMS. (PHOTO) (CONCRETE CAPS) END BENT 2 CAP HAS HL CRACKS UNDER BAY 1. SIMILAR CRACKS THRU OUT ALL CAPS. DEBRIS ON TOP OF CAPS.	

Bridge I&A Form 1(82)H		FIELD INSPECTION REPORT <u>Bridge Inspection & Analysis</u>	
State of North Carolina Dept. of Transportation Division of Highways			
Team Leader BG LITTLETON, JR.			
Assisted By PD IPOCK			
Item No.	Grade		
36b	G	(CONCRETE COLUMNNS) NO NOTEWORTHY DEFECTS.	
36d	G	(CONC RETAINING WALLS) HL MAP CRACKS NOTED IN THE RETAINING WALLS.	
39	G	(SLOPE PROTECTION) NO NOTEWORTHY PROBLEMS AT SLOPE PROTECTIONS.	
50	G	SHRUBS AT THE SW CORNER OF THE WEST APPROACH BEGINNING TO ENCROACH BEYOND THE GUARDRAIL. (PHOTO) (APPROACH ROADWAY) NE APPROACH CURB IS CRACKED AT END PORTION. (PHOTO)	
51	F	(APPROACH SLABS) WEST APPROACH SLAB HAS HL LONGITUDINAL & MAP CRACKS. SIMILAR CRACKS AT THE EAST SLAB. (PHOTO)	
54	G	(RESPONSE TO LIVE LOAD) DEFLECTION AT SPANS UNDER TTST.	
62	NO	(PRESENTLY POSTED) NOT POSTED	

BRIDGE INSPECTOR'S RECOMMENDATION FOR MAINTENANCE REPAIRS

Bridge: 730464

County PITT

Date: 09/16/2013

These Repairs Should Be Made Within Twelve Months From Date Of This Inspection

MMS Code	Description of Function	Unit	Quantity	Remarks	Est. Cost
2910	Manual Brush and Tree Control	LF	30	SHRUB OVERTAKING SW GUARDRAIL	
3310	Maintenance/Repair/Replacement of Standard Bridge Expansion Joints	LF	196	DEBRIS AT SEALS WITH SIGNS OF LEAKAGE	
3348	Maintain Concrete Substructure Components	LF	200	DEBRIS ON CAPS	
3376	Clean/Wash Bridge Decks	SF	100	DEBRIS ALONG RAILS WITH PONDING	

Key



Priority Maintenance Item



Critical Finding Item



Priority Maintenance Level Not Determined



SHRUBS AT SW SLOPE OVERTAKING GUARDRAIL.



WEST APPROACH SLAB HAS CRACKS. THE EAST SLAB IS SIMILAR.



DEBRIS & PONDING ALONG RT RAIL. DEBRIS ALONG LT SIDE.



SIMILAR CRACKS AT RAILS.



SIMILAR DEBRIS AT COMPRESSION SEALS.

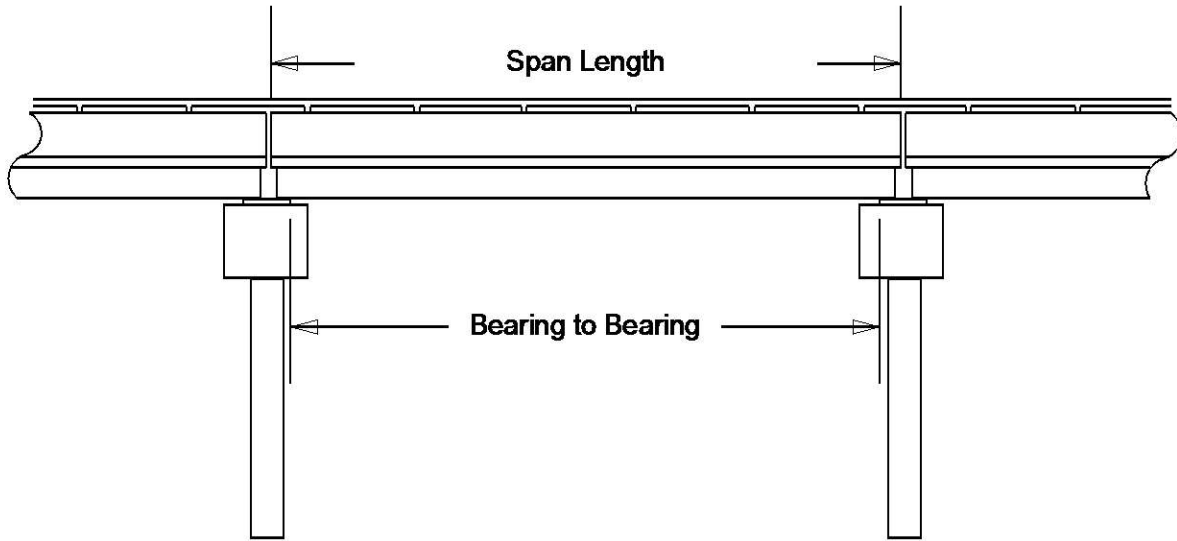


NE APPROACH CURB IS CRACKED AT END PORTION.

Structure Data Worksheet

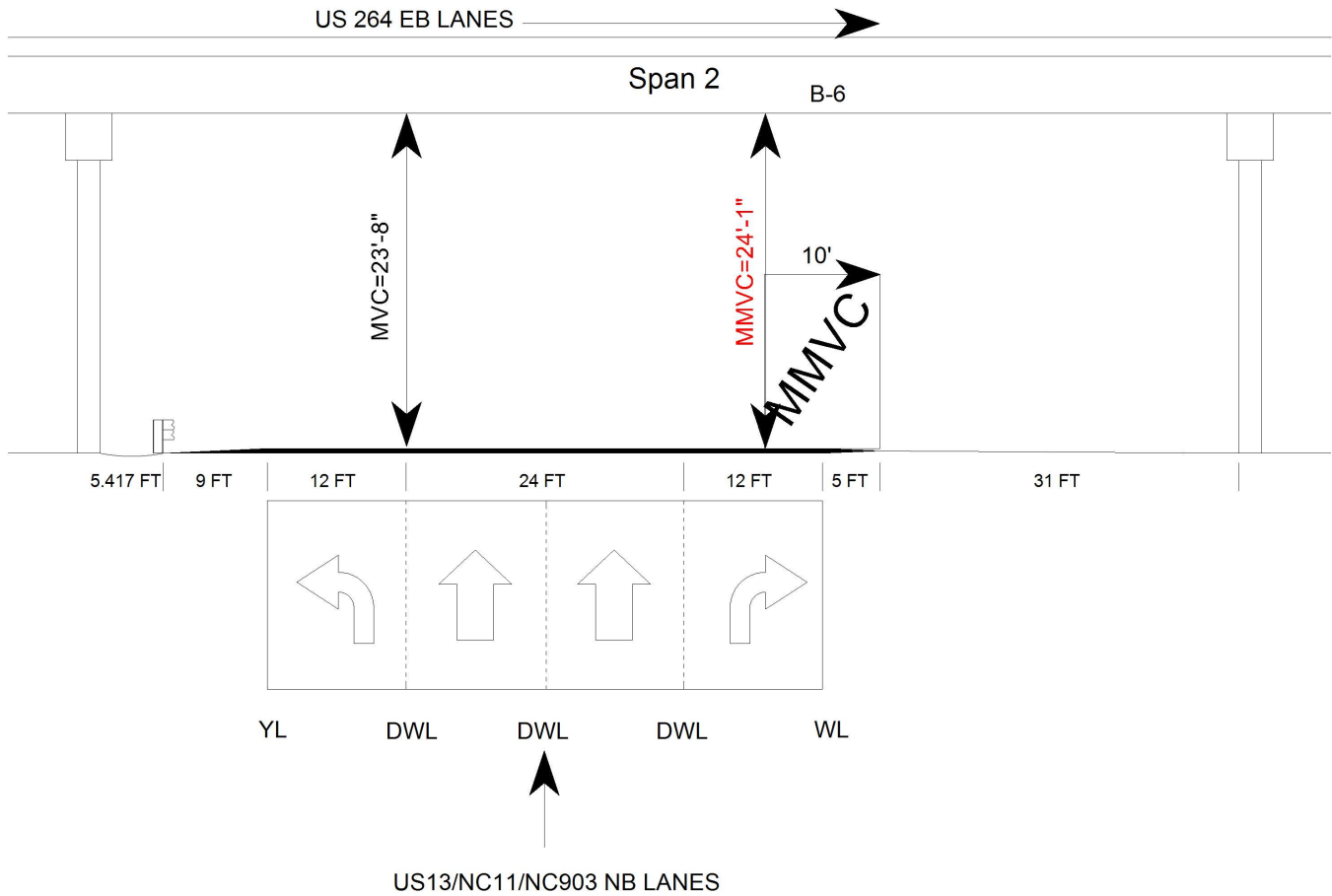
Spans

County: PITT Structure No: 730464 Date: 09/16/2013 Inspected By: BGL



Span No	Span Length	Bearing to Bearing	Comments
1	94 ft.	92 FT	
2	100.583 ft.	99.583 FT	
3	94 ft.	92 FT	

Bridge Inspection Field Sketch

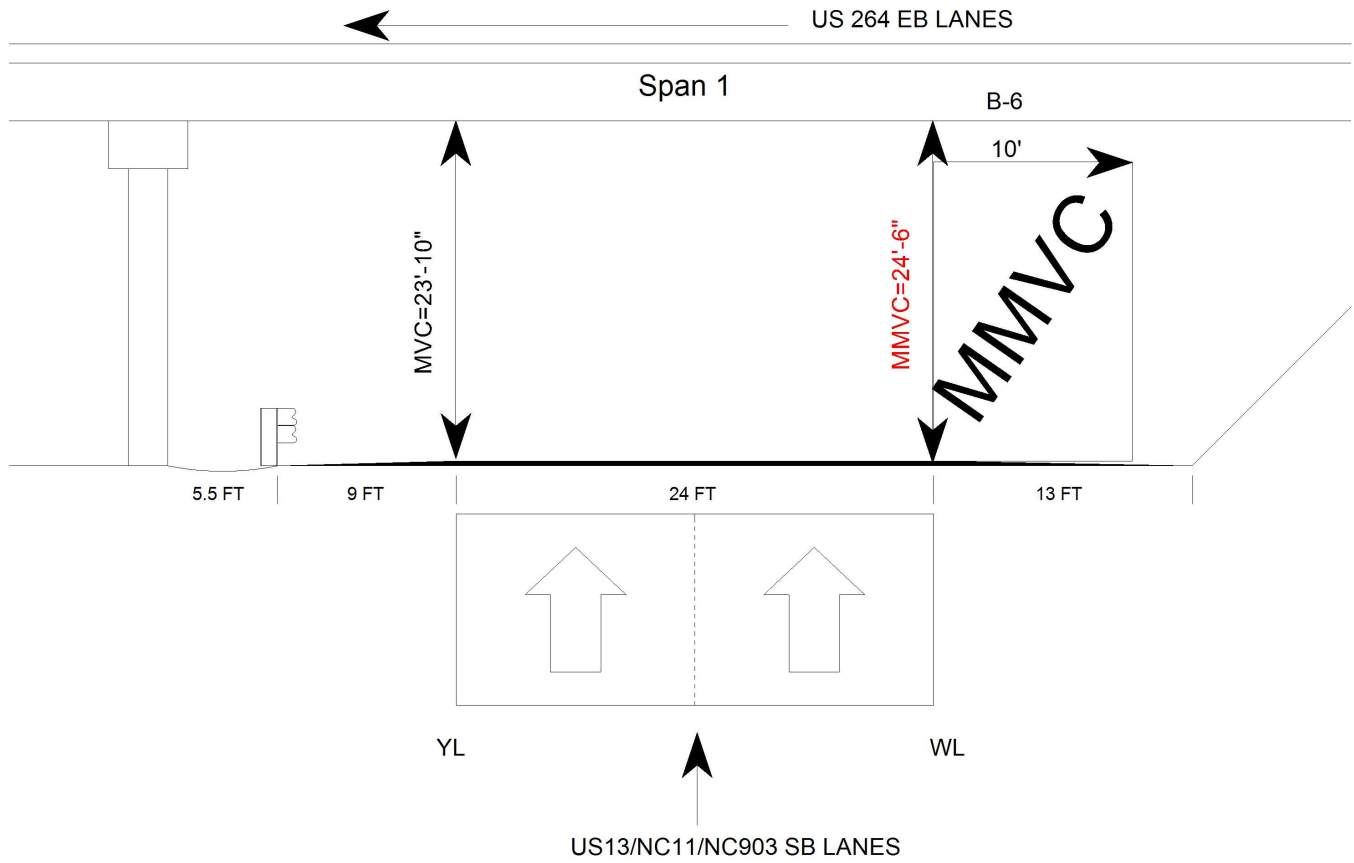


Roadway 1		Direction of Traffic	North
Distance to Left Rail	21FT	Distance to Right Rail	
Distance to Left Toe of Slope		Distance to Left Bent	26.417FT
Distance to Right Toe of Slope		Distance to Right Bent	48FT
MMVC	24.083 Ft UNDER BEAM 6 @ 7 FT from RT EDGE OF THRU LANES (DASHED WHITE LINE)		
MVC	23.667 Ft UNDER BEAM 6, 0 FT from LT EDGE OF THRU LANES (DASHED WHITE LINE)		

UPDATED & VERIFIED 9-16-13 BY BGL

Title		Description	
UNDERCLEARANCES-SPAN 2, US13/NC11/NC903 NBL		HORZ & VERT UNDERCLEARANCES	
Bridge No: 730464	Drawn By: BG LITTLETON, JR.	Date: 9-27-11	File Name: S0050001233

Bridge Inspection Field Sketch



Roadway 1		Direction of Traffic	South
Distance to Left Rail	9FT	Distance to Right Rail	
Distance to Left Toe of Slope		Distance to Left Bent	14.5FT
Distance to Right Toe of Slope	13FT	Distance to Right Bent	
MMVC	24.5 Ft UNDER BEAM 6 @ 0 FT from RT EDGE OF THRU LANES (WHITE LINE)		
MVC	23.833 Ft UNDER BEAM 6 @ 0 FT from LT EDGE OF THRU LANES (YELLOW LINE)		

UPDATED & VERIFIED 9-16-13 BY BGL

Title

UNDERCLEARANCES-SPAN 1, US13/NC11/NC903, SBL

Description

HORZ & VERT UNDERCLEARANCES

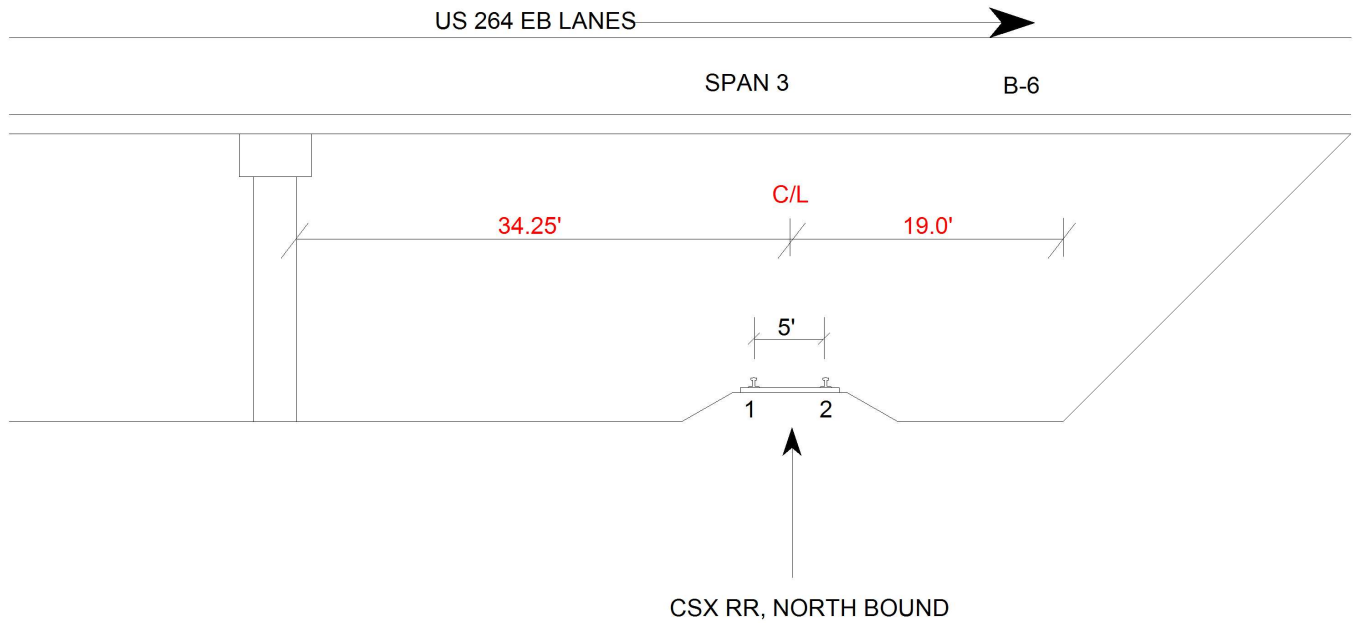
Bridge No: 730464

Drawn By: BG LITTLETON, JR.

Date: 9-27-11

File Name: S0050001234

Bridge Inspection Field Sketch



Measurements Under Span 3 (of 3)

Rail to Rail	5ft	1 set of tracks	Looking: NORTH
Vertical Clearance	23.5ft	Measured from rail 2	at Beam # 6
Distance to Left Bent	34.25ft		
Distance to Left Toe of Slope			
Distance to Right Bent			
Distance to Right Toe of Slope	19.0ft		

UPDATED & VERIFIED 9-16-13 BY BGL

Title

UNDERCLEARANCE-SPAN 3, CSX RR NB

Description

HORZ & VERT UNDERCLEARANCES

Bridge No: 730464

Drawn By: BG LITTLETON, JR.

Date: 9-27-11

File Name: S0050001235

Bridge Inspection Field Sketch



Roadway	36.417ft Wide	3 Paved Lanes	Looking East
Left Shoulder	2ft Wide	2ft Paved	
Right Shoulder	2ft Wide	2ft Paved	
Left Guardrail	2ft from road		
Right Guardrail	2ft from road		

VERIFIED 9-16-13 BY BGL

Title

730464 APPROACH ROADWAY

Description

LOOKING EAST.

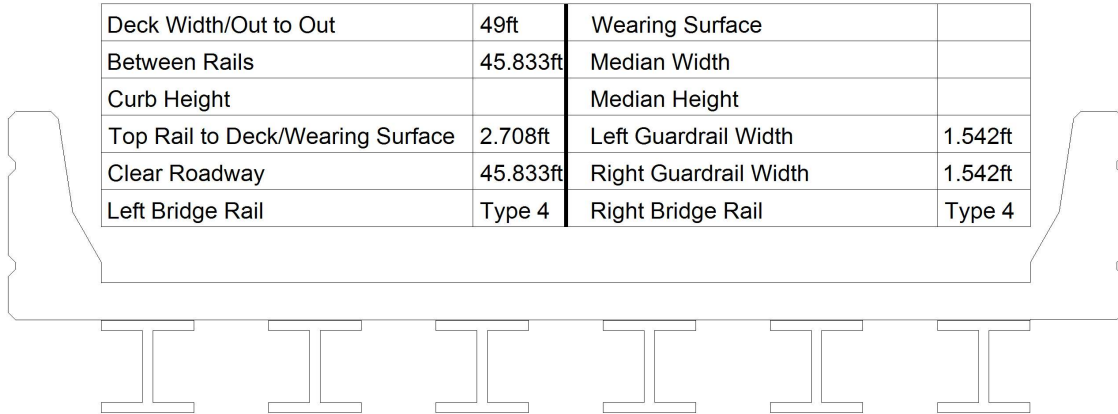
Bridge No: 730464

Drawn By: P.D.IPOCK

Date: 9-27-11

File Name: S0050001236

Bridge Inspection Field Sketch



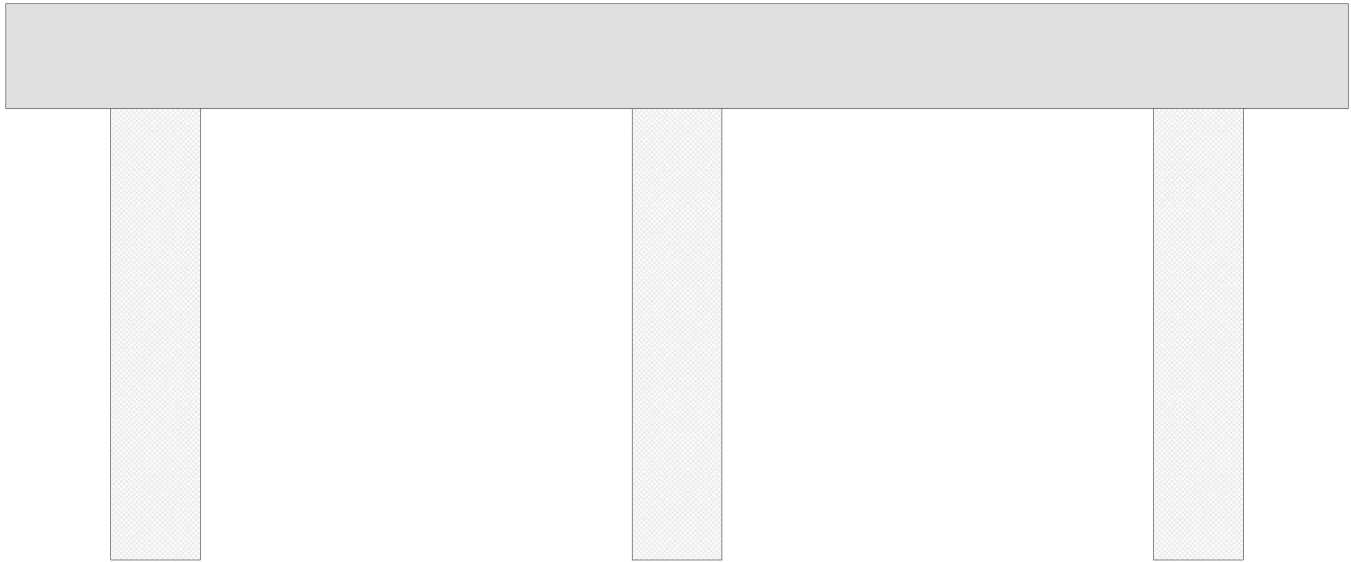
Measurements for Span #	1		
Deck Thickness	0.708	Left Overhang	3.896
Top of Rail to Bottom of Beam	6.792	Right Overhang	4

Beam No	Beam Type	Spacing	Comments
1	Steel I Beam	8.229ft	Similar I Beam Size Is 15" W X 44- 1/4" H X 1/2" FLG. & 3.4" WEB.
2	Steel I Beam	8.229ft	
3	Steel I Beam	8.229ft	
4	Steel I Beam	8.229ft	
5	Steel I Beam	8.229ft	
6	Steel I Beam		

VERIFIED 9-16-13 BY BGL

Title 730464 SUPERSTRUCTURE	Description SIMILAR SECTION.
Bridge No: 730464	Drawn By: P.D.IPOCK
Date: 9-27-11	File Name: S0050001237

Bridge Inspection Field Sketch



Cap Information			Material Cast-in-Place Concrete							
Length	Width	Height	Left Overhang	Right Overhang	Left Beam to End of Cap.	Right Beam to End of Cap.				
44.833 ft.	3.333 ft.	3.500 ft.	5.000 ft.	5.000 ft.						
Subcap Information			Material							
Length	Width	Height	Left Overhang	Right Overhang	Left Pile to Splice.					
Sill Information			Material							
Length	Width	Height								
Pile #	Material	Spacing	Width/Dia.	Height	Length	Orientation	Driven?	Replacement?	Removed?	Collar?
1	Concrete	17.417 ft.	3 ft.			Vertical	No	No	No	No
2	Concrete	17.417 ft.	3 ft.			Vertical	No	No	No	No
3	Concrete		3 ft.			Vertical	No	No	No	No
Bent/Abutment #: 1			Similar Bents: 2			VERIFIED 9-16-13 BY BGL				

Title SUBSTRUCTURE-BENT 1				Description BENT 2 SIMILAR W/HORZ STRUTS			
Bridge No: 730464	Drawn By: BG LITTLETON, JR.	Date: 9/27/2011	File Name: S0046000234				



END BENT 1



SPAN 1 SIDE OF BT 1



SPAN 1 UNDERSIDE. (ALL SPANS SIMILAR)



SPAN 1 UNDERCLEARANCE, LOOKING SOUTH, US 13/NC11/NC903 SB LANES TOWARDS GREENVILLE.



SPAN 2 SIDE OF BT 2



NORTH SIDE, LOOKING WEST



END BT 2



WEATHERING STEEL WITH COATED ENDS.



SPAN 3 UNDERCLEARANCE, LOOKING NORTH, CSX RR



SOUTH SIDE, LOOKING WEST



SPAN 2 UNDERCLEARANCE, LOOKING NORTH, US 13/NC11/NC903 NB LANES TOWARDS BETHEL



SIMILAR BEARINGS



NW GUARDRAIL END TERMINAL. (SW & SE ENDS SIMILAR)



LOOKING WEST AT US 264EB LANES & ON RAMP FROM US13/NC11/NC903 SB



LOOKING EAST, US 264 BYP, EB LANES



LOOKING EAST



NW GUARDRAIL POST SPACINGS AT TRANSITION TO BRIDGE RAIL. (SW TRANSITION SIMILAR)



SIMILAR COMPRESSION SEALS



NW GUARDRAIL CONNECTION. (SW & SE CONNECTIONS SIMILAR)



LOOKING SOUTH, US13/NC11/NC903



LOOKING SOUTH, CSX RR



SE GUARDRAIL POST SPACINGS AT TRANSITION TO BRIDGE RAIL.



LOOKING WEST, US 264 BYP, EB LANES



LOOKING NORTH, CSX RR



LOOKING NORTH, US13/NC11/NC903



NC DEPARTMENT OF TRANSPORTATION
 DIVISION OF HIGHWAYS
 BRIDGE MANAGEMENT UNIT

ATTENTION

MVC & MMVC REVISED

BRIDGE INSPECTION REPORT

INSPECTION TYPE: Routine Inspection

COUNTY PITT BRIDGE NUMBER 730465 INSPECTION CYCLE 2 YRS 80
 ROUTE US264 ACROSS US13/NC11 M.P. 0
JCT.US264&US13/11
 LOCATION **JCT.US264 & US13 & NC11**

SUPERSTRUCTURE RC FLOOR/STEEL PLATE GIRDERS

SUBSTRUCTURE E.BTS:RC CAP/PPC PILES;INT.BTS:RCP&B/PPC PILES

SPANS 1@94';1@100';1@94'

LONGITUDE 77° 21' 48.07"

LATITUDE 35° 39' 33.20"

INSPECTION DATE 09/16/2013

PRESENT CONDITION GOOD

PRESENT POSTING Not Posted **NOT POSTED**

PROPOSED POSTING

OTHER SIGNS PRESENT NONE



LOOKING WEST

Fracture Critical	<u>No</u>
Temporary Shoring	<u>No</u>
Scour Critical	<u>No</u>
Scour POA	<u>No</u>

SIGN NOTICE ISSUED FOR	NUMBERED REQUIRED
<u>No</u> WEIGHT LIMIT	<u> </u>
<u>No</u> DELINEATORS	<u> </u>
<u>No</u> NARROW BRIDGE	<u> </u>
<u>No</u> ONE LANE BRIDGE	<u> </u>
<u>No</u> LOW CLEARANCE	<u> </u>

NATIONAL BRIDGE INVENTORY----- STRUCTURE INVENTORY AND APPRAISAL

Run Date: 09/26/2013

IDENTIFICATION

(1) STATE NAME -NORTH CAROLINA BRIDGE **730465**
 (8) STRUCTURE NUMBER(FEDERAL) 000000001470465
 (5) INVENTORY ROUTE (ON/UNDER) - ON 23002640
 (2) STATE HIGHWAY DEPARTMENT DISTRICT 1
 (3) COUNTY CODE 147 (4) PLACE CODE 28080
 (6) FEATURE INTERSECTED - US13/NC11/NC903/CSRR
 (7) FACILITY CARRIED US264 WBL
 (9) LOCATION JCT.US264 & US13 & NC11
 (11)MILEPOINT 80
 (16)LAT 35° 39' 33.20" (17)LONG 77° 21' 48.07"
 (98)BORDER BRIDGE STATE CODE PCT SHARE
 (99)BORDER BRIDGE STRUCTURE NO

SUFFICIENCY RATING = 87.17
 STATUS = Not Deficient

CLASSIFICATION **CODE**

(112)NBIS BRIDGE SYSTEM - YES
 (104)HIGHWAY SYSTEM Is not on NHS 0
 (26) FUNCTIONAL CLASS - Arterial - Other 12
 (100)STRAHNET HIGHWAY - Not a STRAHNET Route 0
 (101)PARALLEL STRUCTURE - Left Parallel Structure L
 (102)DIRECTION OF TRAFFIC - 1-way Traffic 1
 (103)TEMPORARY STRUCTURE -
 (110)DESIGNATED NATIONAL NETWORK - On the National Network 1
 (20) TOLL On Free Road 3
 (31) MAINTAIN - State Highway Agency 01
 (22) OWNER - State Highway Agency 01
 (37) HISTORICAL SIGNIFICANCE - Not Eligible 5

STRUCTURE TYPE AND MATERIAL

(43) STRUCTURE TYPE MAIN: Steel
 TYPE - Stringer Mutlibeam or Girder CODE 302
 (44) STRUCTURE TYPE APPR :
 TYPE - CODE 000
 (45) NUMBER OF SPANS IN MAIN UNIT 3
 (46) NUMBER OF APPROACH SPANS
 (107)DECK STRUCTURE TYPE - 1 CODE
 (108)WEARING SURFACE / PROTECTIVE SYSTEM :
 (A) TYPE OF WEARING SURFACE - CODE
 (B) TYPE OF MEMBRANE - CODE
 (C) TYPE OF DECK PROTECTION - CODE

CONDITION **CODE**

(58) DECK 7
 (59) SUPERSTRUCTURE 7
 (60) SUBSTRUCTURE 7
 (61) CHANNEL & CHANNEL PROTECTION N
 (62) CULVERTS N

LOAD RATING AND POSTING **CODE**

(31) DESIGN LOAD HS 20 + MOD 6
 (63) OPERATING RATING METHOD - Load Factor 1
 (64) OPERATING RATING - HS-55 99
 (65) INVENTORY RATING METHOD - Load Factor 1
 (66) INVENTORY RATING - HS-34 61
 (70) BRIDGE POSTING - No Posting Required 5
 (41) STRUCTURE OPEN, POSTED ,OR CLOSED A
 DESCRIPTION - Open, No Restriction

AGE AND SERVICE

(27) YEAR BUILT 1993
 (106)YEAR RECONSTRUCTED
 (42) TYPE OF SERVICE : ON - Highway
 UNDER - Highway - Railroad CODE 14
 (28) LANES: ON STRUCTURE 3 UNDER STRUCTURE 6
 (29) AVERAGE DAILY TRAFFIC 6000
 (30) YEAR OF ADT 2012 (109) TRUCK ADT PCT 12%
 (19) BYPASS OR DETOUR LENGTH 0 MI

APPRAISAL **CODE**

(67) STRUCTURAL EVALUATION 7
 (68) DECK GEOMETRY 4
 (69) UNDERCLEARANCES,VERTI & HORIZ 6
 (71) WATERWAY ADEQUACY N
 (72) APPROACH ROADWAY ALIGNMENT 8
 (36) TRAFFIC SAFETY FEATURES 1111
 (113)SCOUR CRITICAL BRIDGES N

GEOMETRIC DATA

(48) LENGTH OF MAXIMUM SPAN 100 FT
 (49) STRUCTURE LENGTH 289 FT
 (50)CURB OR SIDEWALK: LEFT 0 FT RIGHT 0 FT
 (51) BRIDGE ROADWAY WIDTH CURB TO CURB 45.833 FT
 (52) DECK WIDTH OUT TO OUT 49 FT
 (32) APPROACH ROADWAY WIDTH (W/SHOULDERS) 41 FT
 (33) BRIDGE MEDIAN - No Median CODE 1
 (34) SKEW 0° (35) STRUCTURE FLARED 0
 (10) INVENTORY ROUTE MIN VERT CLEAR 999.9 FT
 (47) INVENTORY ROUTE TOTAL HORIZ CLEAR 45.833 FT
 (53) MIN VERT CLEAR OVER BRIDGE RDWY 999.9 FT
 (54) MIN VERT UNDERCLEAR REF Highway 23.583 FT
 (55) MIN LAT UNDERCLEAR RT REF Highway 13 FT
 (56) MIN LAT UNDERCLEAR LT REF - 14.5 FT

PROPOSED IMPROVEMENTS

(75) TYPE OF WORK - CODE
 (76) LENGTH OF STRUCTURE IMPROVEMENT
 (94) BRIDGE IMPROVEMENT COST
 (95) ROADWAY IMPROVEMENT COST
 (96) TOTAL PROJECT COST
 (97) YEAR OF IMPROVEMENT COST ESTIMATE
 (114)FUTURE ADT 12000 (115) YEAR FUTURE ADT 2025

INSPECTIONS

(90) INSPECTION DATE 09/16/2013
 (92) CRITICAL FEATURE INSPECTION : (93) CFI DATE
 A) FRACTURE CRIT DETAIL - NO A)
 B) UNDERWATER INSP - NO B)
 C) OTHER SPECIAL INSP NO C)
 SCOUR

NAVIGATION DATA

(38) NAVIGATION CONTROL - Not Applicable CODE N
 (111)PIER PROTECTION - CODE
 (39) NAVIGATION VERTICAL CLEARANCE 0
 (116)VERT - LIFT BRIDGE NAV MIN VERT CLEAR FT
 (40) NAVIGATION HORIZONTAL CLEARANCE 0 FT

Structure No: 730465

County: PITT

Run Date:

Span Number	Feature Intersected	Inventory Route	Minimum Maximum Vertical Clearance	Milepoint	Base Highway Network	LRS Inventory Route	Toll	Functional Classification	Nuner of Lanes	Average Daily Traffic	Year of Average Daily Traffic	Total Horizontal Clearance	See Note 1							
													Reference Feature	Minimum Vertical Underclearance	Right Lateral Underclearance	Left Lateral Underclearance	Underclearance Appraisal Grade	STRAHNET Highway Designator	Direction of Traffic	Highway System of Route
	6	5	10	11	12	13	20	26	28	29	30	47	54A	54	55	56	69	100	102	104
1	US13S,NC11S,NC903S	21000130	24.25		1	20013		14	2	9000	2012	46	H	23.58	13	14.5	9	0	1	0
2	US13N,NC11N,NC903N	21000130	23.75		1	20013		14	4	9000	2012	92	H	23.17	48	25.42	9	0	1	0
3	CSX RR	80000000		0					0	0	0		R	23	19.17		9			

Note 1: Items 54, 55, and 56 are not reported FHWA under route data points but are collected for each under route to determine the minimum value for Underclearance Appraisal Item 69. The under route that generates the lowest Underclearance Appraisal value will be reported on the Facility Carried record.

BRIDGE MANAGEMENT UNIT

DATA ON EXISTING STRUCTURE

Run Date: 09/26/2013

COUNTY : PITT DIVISION : 2 DISTRICT : 1 STRUCTURE NUMBER : 730465 LENGTH : 289 FEET

ROUTE CARRIED : US264 WBL FEATURE INTERSECTED : US13/NC11/NC903/CSRR

LOCATED : JCT.US264 & US13 & NC11 BRIDGE NAME : CITY : GREENVILLE

FUNC. CLASS : 12 SYST.ON : FA SYST.UNDER : NFA ADT & YR : 6000 2012 RAIL TYPE : LT 41 RT 41

BUILT : 1993 BY : DOH PROJ : 8.T220803 FED.AID PROJ : F-111-1(3) DESIGN LOAD : HS 20 + MOD

REHAB : BY : PROJ : ALIGNMENT : TAN SKEW : 90 LANES : ON 3 UNDER 6

NAVIGATION : VC 0 FT HC 0 FT HT. CRN. TO BED : 0 FT WATER DEPTH : 0 FT

SUPERSTRUCTURE : RC FLOOR/STEEL PLATE GIRDERS

SUBSTRUCTURE : E.BTS:RC CAP/PPC PILES;INT.BTS:RCP&B/PPC PILES

SPANS : 1@94';1@100'7';1@94'

BEAMS OR GIRDERS : 6 LINES STEEL PLATE GIRDERS

FLOOR : 8.5 RC/NO AWS ENCROACHMENT : DECK (OUT TO OUT) : 49 FT

CLEAR ROADWAY : 45.833 FT BETWEEN RAILS : 45.833 FT SIDEWALK OR CURB : LT 0 FT RT 0 FT

VERT.CL.OVER : 999.9 FT

INV.RTG. : HS-34 OPE.RTG. : HS-55 CONTR.MEMBER : A Mid POSTED : SV TTST DATE

SYSTEM : Primary U.S. Route GREEN LINE ROUTE : Y

UNDER ROUTES AND CLEARANCES

Span	Route Description	Vertical Clearances		Horizontal Clearances		
		MMVC	MVC	Total	Left	Right
1	US13S,NC11S, NC903S	24.25	23.5830	46	14.50	13
2	US13N,NC11N, NC903N	23.75	23.1670	92	25.4170	48
3	CSX RR	0	23	0	0	19.1670

Note: All measurements are in feet.

REMARKS :

BRIDGE INSPECTION RECORD AND SUMMARY

INSPECTION TYPE Routine Inspection
 BRIDGE NO. 730465 COUNTY PITT ROUTE US264 OVER US13/NC11
 STRUCTURE TYPE RC FLOOR/STEEL PLATE GIRDERS
 ROUTE ORIENTATION W - E SPANS 1@94';1@100'7;1@94'

EVALUATION CODES: CRITICAL (C, 0 - 3); POOR (P, 4); FAIR (F, 5, 6); GOOD (G, 7 - 9)

INSPECTION ITEM				ITEM 61						
DECK ITEMS			GRADES							
1. WEARING SURFACE				45. CHANNEL & CHANNEL PROT.				a. WATERWAY		
								b. ALIGNMENT		
								c. SCOUR		
								d. SLOPE PROT., RIP-RAP, DIKES, ETC.		
2. DECK NO. OF EA TYPE SPN GRADE RATES SI & A ITEM 58	a. CONCRETE	3	G	50. APPROACH ROADWAY CONDITION				G		
	b. TIMBER			51. APPROACH SLABS				F		
	c. STEEL PLANK			52. PAINT SYSTEM				CODE T G		
	d. OPEN GRID			53. UTILITIES						
3. RAILING	a. CONCRETE		F	54. RESPONSE TO LIVE LOAD				G		
	b. TIMBER			55. ESTIMATED REMAINING LIFE				50		
	c. ALUMINUM									
	d. STEEL									
4. CURBS, WHEELGUARDS, PARAPETS, MEDIANS										
5. WALKWAYS (ON OR ATTACHED TO STRUCTURE)				60. REGULATORY SIGN NOTICE ISSUED				NO		
6. DECK EXP JTS. OR DEVICES. NO. OF EACH	a. STEEL PL OR FINGER			61. PROMPT-ACTION NOTICE ISSUED				NO		
	b. MISC PREFAB			62. PRESENTLY POSTED				NO		
	c. COMPRESSION SEAL	4	F	63. TOT. FIELD INSP TIME (INCLUDE WRITE UP)(MAN HR)				12		
	d. STANDARD JOINTS			64. TOTAL SNOOPER INSP. TIME (HRS)						
	e. OPEN JOINTS			65. TOTAL TRAFFIC CONTROL TIME (MAN HRS)						
7. DECK DEBRIS (INCLUDES EXCESS SAND/GRAVEL)				F	70. SI&A GENERAL CONDITION RATINGS					
SUPER STR. (FM. 1 (90)B TRUSS) ITEM 59				a. DECK				ITEM 58	7	
10. LONGITUDINAL BEAMS OR GIRDERS				G	b. SUPERSTRUCTURE				ITEM 59	7
11. LONGITUDINAL JOIST OR STRINGERS					c. SUBSTRUCTURE				ITEM 60	7
12. INT. DIAP'S, X-FRAMES, BRACING & CONN'S				G	d. CHANNEL & CHANNEL PROT.				ITEM 61	
13. END DIAP'S, CURTAIN WALLS, & CONN'S				G						
14. FLOOR BEAMS AND CONNECTIONS					71. SI&A FIELD APPRAISAL RATINGS					
15. BEARING ASSEMBLIES (INCLUDING MISALIGN)				G	a. WATERWAY ADAQUACY					
16. DRAINAGE SYSTEM (ON STRUCTURE)				F	b. APPR. RDWY. ALIGNMENT				8	
17. MOVABLE SPAN MACHINERY					72. FIELD SCOUR EVALUATION				N	
SUB STR. ITEMS. ITEM 60 (INCLUDE SCOUR)					USE OF INSP. ACCESSIBILITY EQUIPMENT					
35. TIM SUB STR.	a. ABUT. & INT. BENT CAPS & RISERS			SNOOPER (CODE S, 4, OR N)				HRS	NO	
	b. PILES, POST, SILLS, & BRACING			LADDER					NO	
	c. BULKHEADS, WING'S, & TIE BACKS			BUCKET TRUCK					NO	
36. CONC SUB STR.	a. ABUT. & INT. BENT CAPS			G	BOAT				NO	
	b. ABUT. & BENT COL'S BREASTWALLS			G	OTHER				NO	
	c. ABUT. & INT. BENT PILES								NO	
	d. BACKWALLS, WING'S, RETAIN. WALLS			G						
	e. ABUT. & BENT FOOTINGS & SILLS									
37. STEEL SUB STR.	a. ABUT. & INT. BENT CAPS & RISERS			SPECIAL INSPECTION REQUESTED FOR						
	b. PILES, BRACING, AND BULKHEADS									
38. FOUNDATION PILES TYPE MATERIAL					NOTE					
39. SLOPE PROT., RIP-RAP (INCLUDE DRAINAGE)				G						
40. FENDER SYSTEMS					80. INSPECTED BY:				<i>B. Little</i>	
41. DRIFT					81. REVIEWED BY:					

Bridge I&A Form 1(82)H		FIELD INSPECTION REPORT <u>Bridge Inspection & Analysis</u>	
State of North Carolina Dept. of Transportation Division of Highways			
Team Leader BG LITTLETON, JR.			
Assisted By PD IPOCK			
Item No.	Grade		
2a	G	(CONC. DECK) H/L TO 1/16" LONGITUDINAL & H/L MAP CRACKING NOTED IN THE TOPSIDE OF THE DECK IN ALL SPANS.	
3a	F	H/L MAP CRACKING IN THE OVERHANG WITH EFFLORESCENCE IN AREAS. (CONC. RAILING) CRACKS & SOME EFFLO NOTED ALONG BOTH RAILS. (PHOTO)	
6c	F	LEFT RAIL IN SPAN 4 CRACKED & SPALLED 7"H X 13"L X 1"D BEHIND THE NE GUARDRAIL CONNECTION. (COMPRESSION SEALS) (4) COMPRESSION SEALS LOCATED @ THE EBTS & INT. BTS. (PHOTO) SEPARATION & DEBRIS ALONG THE COMPESSION SEALS. (PHOTO) JOINT MATERIAL FALLEN OUT ONTO THE CAPS.	
7	F	SIGNS OF LEAKAGE ON THE CAPS. (DECK DEBRIS)	
10	G	DEBRIS & PONDING ALONG THE LEFT RAIL. SIMILAR DEBRIS ALONG THE RIGHT RAIL. (PHOTO) (WEATHERING BEAMS) WEATHERING STEEL WITH BEAM ENDS PAINTED. (PHOTO)	
10A	NO	NO NOTEWORTHY DEFECTS. (CURVED GIRDERS) NO CURVED GIRDERS.	
12	G	(INT. DIAPHRAGMS) WEATHERING STEEL INT. DIAPHRAGMS.	
13	G	NO NOTEWORTHY DEFECTS. (END DIAPHRAGMS & CURTAIN WALLS) END DIAPHRAGMS ARE WEATHERING STEEL WITH NO NOTEWORTHY DEFECTS.	
15	G	H/L CRACKS NOTED IN THE CURTAIN WALLS. (BEARING ASSEMBLIES) ELASTOMERIC BEARINGS WITH NO NOTEWORTHY DEFECTS. (PHOTO)	

Bridge I&A Form 1(82)H		FIELD INSPECTION REPORT <u>Bridge Inspection & Analysis</u>	
State of North Carolina Dept. of Transportation Division of Highways			
Team Leader BG LITTLETON, JR.			
Assisted By PD IPOCK			
Item No.	Grade		
16	F	(DRAINAGE SYSTEM) DRAINAGE RESTRICTED BY DEBRIS.	
52	G	(PAINT SYSTEM) WEATHERING STEEL WITH BEAM ENDS PAINTED WITH WATER BASED ACRYLIC (BROWN IN COLOR)	
36a	G	(CONC. CAPS) H/L TO 1/16" CRACKS NOTED IN THE CAPS.	
36b	G	(CONC. COLUMNS) NO NOTEWORTHY DEFECTS.	
36d	G	(RETAINING WALLS) H/L MAP CRACKING NOTED IN THE RETAINING WALLS.	
39	G	(SLOPE PROTECTION) CONC. SLOPES WITH NO NOTEWORTHY PROBLEMS.	
50	G	HEAVY VEGETATION GROWTH @ THE NW CORNER OF THE CONC. SLOPE INTO THE RIGHT SHOULDER OF THE SOUTH BOUND LANES OF US13/NC11/NC903. (APPROACH ROADWAY) NO NOTEWORTHY PROBLEMS WITH GOOD TRANSITIONS @ BOTH APPROACHES.	
51	F	NE APPROACH DRAIN RESTRICTED BY DEBRIS. (PHOTO) (APPROACH SLABS) BOTH APPROACH SLABS HAVE LONGITUDINAL CRACKS & MAP CRACKING WITH SURFACE SPALLS ADJACENT TO THE JOINT. (PHOTO)	
62	NO	GOOD TRANSITIONS @ BOTH SLABS. (PRESENT POSTING) NOT POSTED.	

BRIDGE INSPECTOR'S RECOMMENDATION FOR MAINTENANCE REPAIRS

Bridge: 730465

County PITT

Date: 09/16/2013

These Repairs Should Be Made Within Twelve Months From Date Of This Inspection

MMS Code	Description of Function	Unit	Quantity	Remarks	Est. Cost
2910	Manual Brush and Tree Control	LF	40	VEGETATION GROWTH @ THE NW CORNER ALONG THE CONC. SLOPE INTO ROADWAY.	
3310	Maintenance/Repair/Replacement of Standard Bridge Expansion Joints	LF	196	COMPRESSION SEAL WITH SEPARATION & DEBRIS ALONG THE JOINTS.	
3318	Maint to Concrete Handrail	LF	2	LEFT RAIL IN SPAN 3 HAS A SPALL BEHIND THE GUARDRAIL CONNECTION.	
3348	Maintain Concrete Substructure Components	LF	200	DEBRIS ON THE CAPS.	
3376	Clean/Wash Bridge Decks	SF	578	DEBRIS ALONG THE RAILS WITH PONDING.	

Key



Priority Maintenance Item



Critical Finding Item



Priority Maintenance Level Not Determined



WEATHERING STL. BEAMS WITH PAINTED ENDS.



DEBRIS @ THE NE APPROACH DRAIN.



COMPRESSION SEAL @ EBT.2 WITH SEPARATION & DEBRIS ALONG THE JOINT. OTHERS ARE SIMILAR.



LEFT RAIL WITH CRACKS & SOME WITH EFFLORESCENCE. SIMILAR @ THE RIGHT RAIL.



DEBRIS & PONDING ALONG THE LEFT RAIL. SIMILAR DEBRIS ALONG THE RIGHT RAIL.

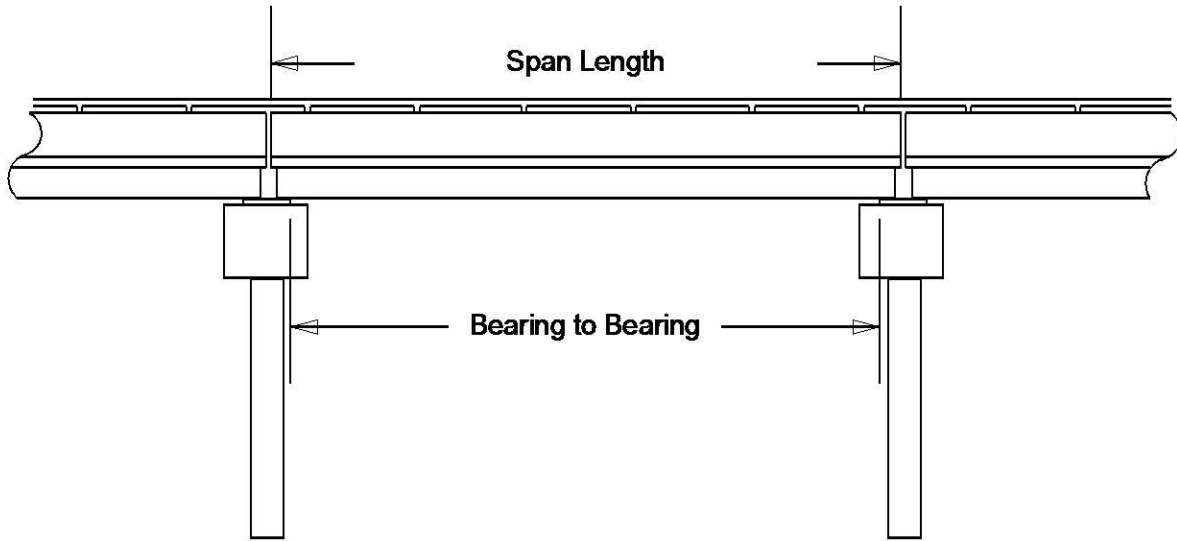


WEST APPROACH SLAB WITH CRACKS IN BOTH LANES. SIMILAR @ THE EAST APPROACH SLAB.

Structure Data Worksheet

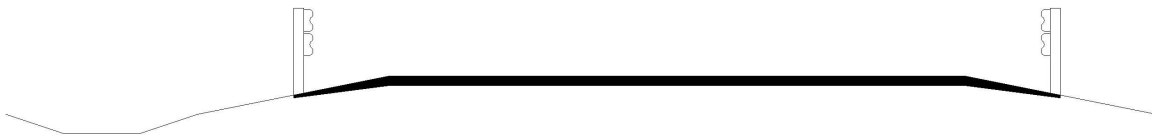
Spans

County: PITT Structure No: 730465 Date: 09/16/2013 Inspected By: BGL



Span No	Span Length	Bearing to Bearing	Comments
1	94'	92'	
2	100.583'	99.583'	
3	94'	92'	

Bridge Inspection Field Sketch



Roadway	36.5ft Wide	3 Paved Lanes	Looking West
Left Shoulder	2ft Wide	2ft Paved	
Right Shoulder	2ft Wide	2ft Paved	
Left Median	22ft Wide	0ft High	
Left Guardrail	2ft from road		
Right Guardrail	2ft from road		

VERIFIED BY; PD IPOCK, 9-16-2013.

Title

730465 APPROACH ROADWAY/ EAST APPROACH

Description

LOOKING WEST.

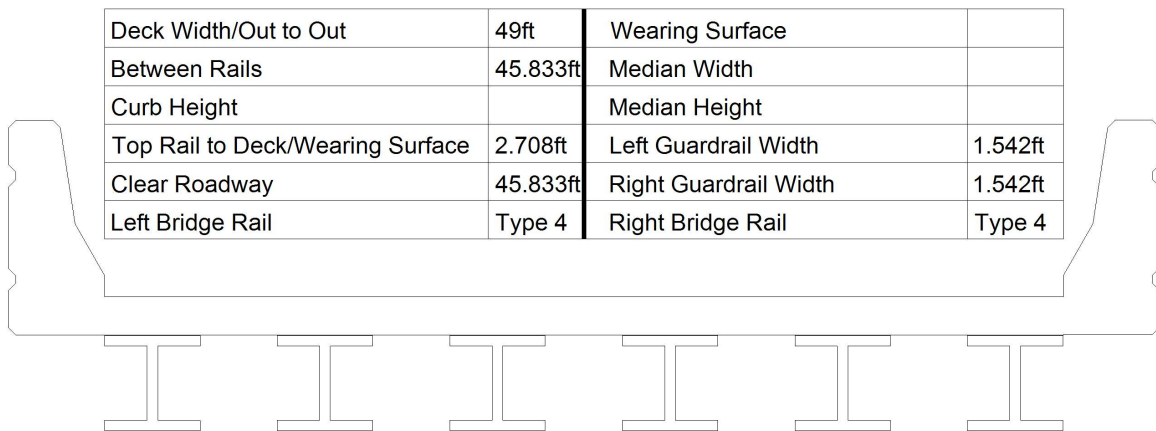
Bridge No: 730465

Drawn By: P.D.IPOCK

Date: 9-27-2011

File Name: S0050001241

Bridge Inspection Field Sketch



Beam No	Beam Type	Spacing	Comments
1	Steel I Beam	8.229ft	Similar I Beam Size Is 15" W X 44-1/4" H X 1/2" FLG. & 3/4" Web.
2	Steel I Beam	8.229ft	
3	Steel I Beam	8.229ft	
4	Steel I Beam	8.229ft	
5	Steel I Beam	8.229ft	
6	Steel I Beam		

VERIFIED BY; PD IPOCK, 9-16-2013.

Title

730465 SUPERSTRUCTURE/ SPAN 3

Description

SIMILAR SECTION.

Bridge No: 730465

Drawn By: P.D.IPOCK

Date: 9-27-2011

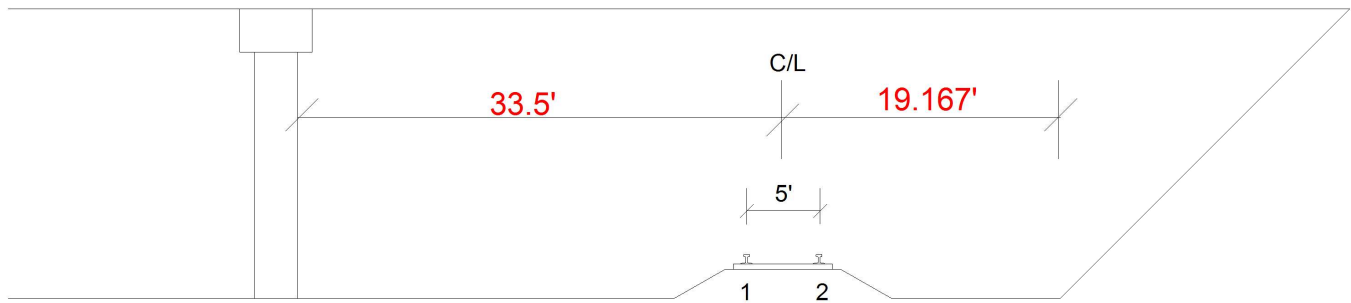
File Name: S0050001242

Bridge Inspection Field Sketch

US264 WEST BOUND



SPAN 3



Measurements Under Span 3 (of 3)

Rail to Rail	5ft	1 set of tracks	Looking: NORTH
Vertical Clearance	23ft	Measured from rail 2	at Beam # 1
Distance to Left Bent	33.5ft		
Distance to Left Toe of Slope			
Distance to Right Bent			
Distance to Right Toe of Slope	19.167ft		

UPDATED & VERIFIED BY; PD IPOCK, 9-16-2013.

Title

730465 CLEARANCES/ SP.3 CSX R/R.

Description

LOOKING NORTH CSX R&R.

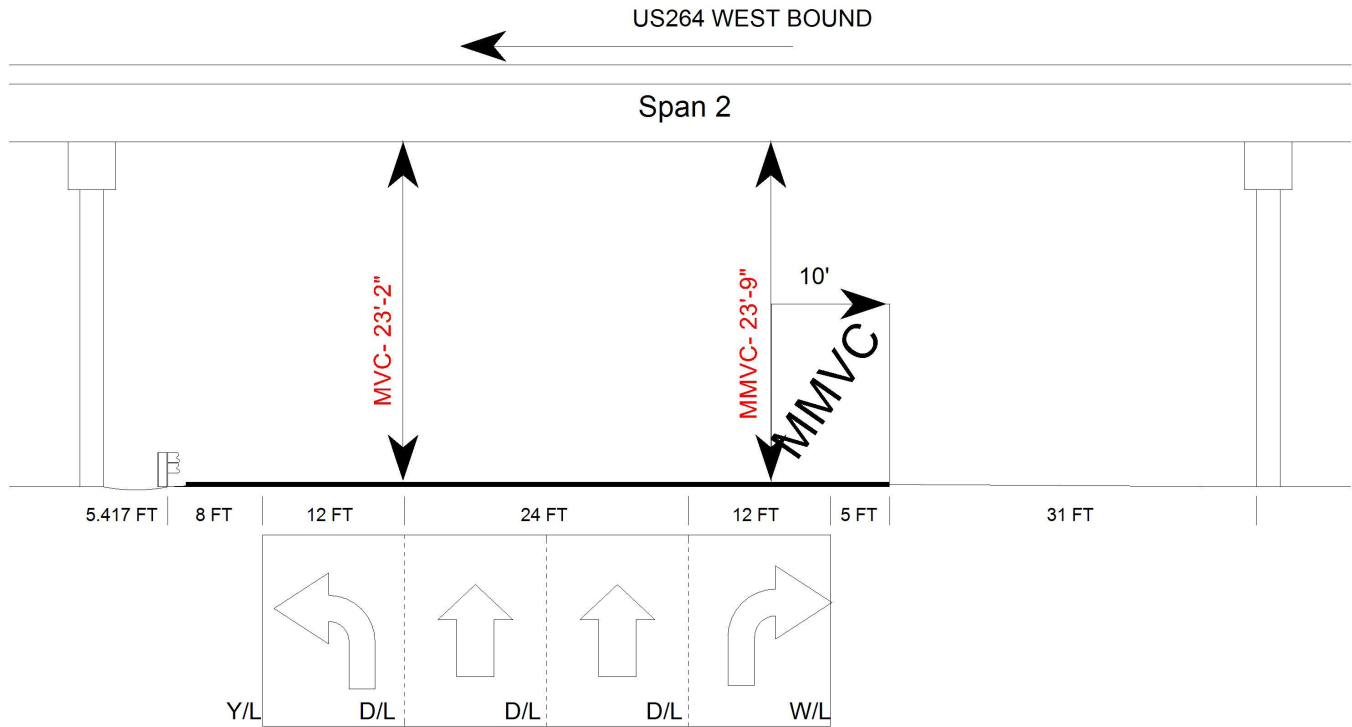
Bridge No: 730465

Drawn By: P.D.IPOCK

Date: 9-27-11

File Name: S0050001243

Bridge Inspection Field Sketch



LOOKING NORTH, US13/NC11/NC903

Roadway 1		Direction of Traffic	North
Distance to Left Rail	20FT	Distance to Right Rail	
Distance to Left Toe of Slope		Distance to Left Bent	25.417FT
Distance to Right Toe of Slope		Distance to Right Bent	48FT
MMVC	23.75 Ft at Beam 1, 7 FT RT From The RT Edge Of Thru Lanes (DASHED WHITE LINE)		
MVC	23.167 Ft at Beam 1, 0 FT From LT Edge Of Thru Lanes (DASHED WHITE LINE)		

UPDATED & VERIFIED BY; PD IPOCK, 9-16-2013.

Title

730465 CLEARANCES/ SP.2, NB LANES

Description

LOOKING NORTH.

Bridge No: 730465

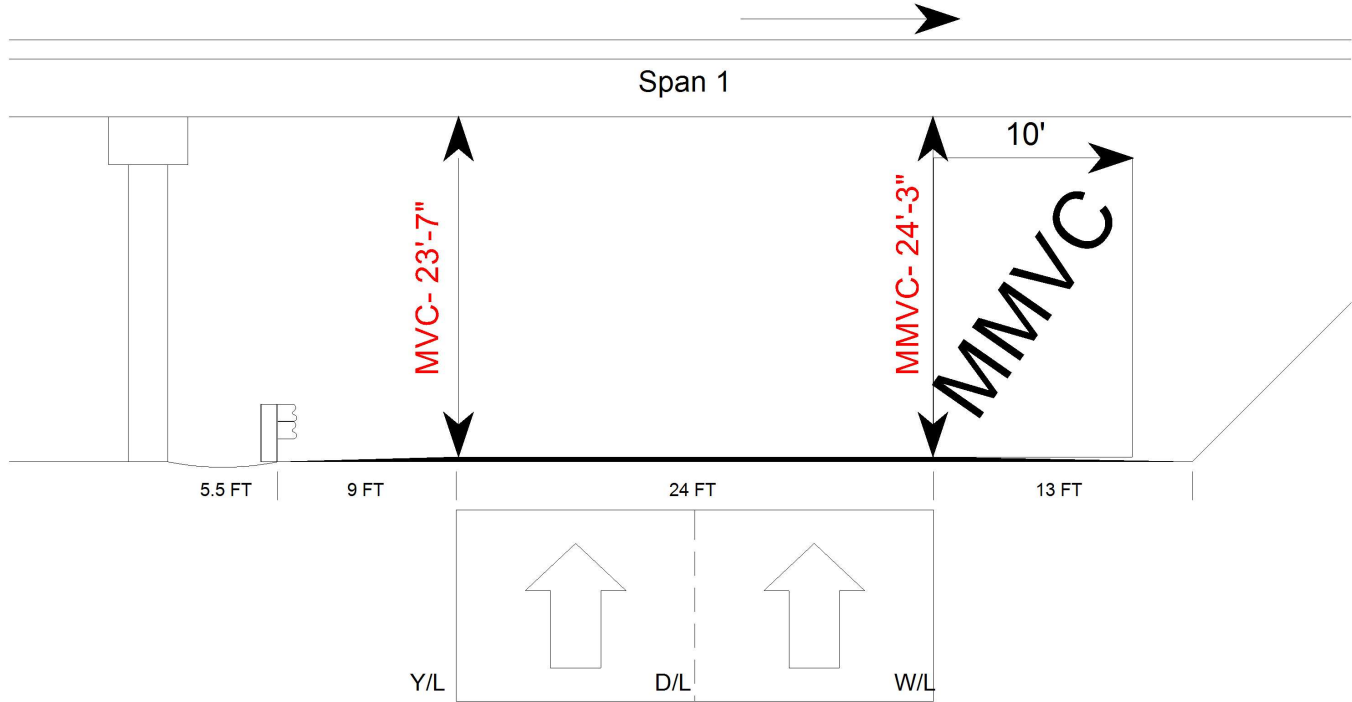
Drawn By: P.D.IPOCK

Date: 9-27-2011

File Name: S0050001244

Bridge Inspection Field Sketch

US264 WEST BOUND



LOOKING SOUTH, US13/NC11/NC903

Roadway 1		Direction of Traffic	South
Distance to Left Rail	9FT	Distance to Right Rail	
Distance to Left Toe of Slope		Distance to Left Bent	14.5FT
Distance to Right Toe of Slope	13FT	Distance to Right Bent	
MMVC	24.25 Ft at Beam 1, 0 FT from RT Edge Of Thru Lanes (WHITE LINE)		
MVC	23.583 Ft at Beam 1, 0 FT from LT Edge Of Thru Lanes (YELLOW LINE)		

UPDATED & VERIFIED BY; PD IPOCK, 9-16-2013.

Title

730465 CLEARANCES/ SP.1, SB LANES

Description

LOOKING SOUTH.

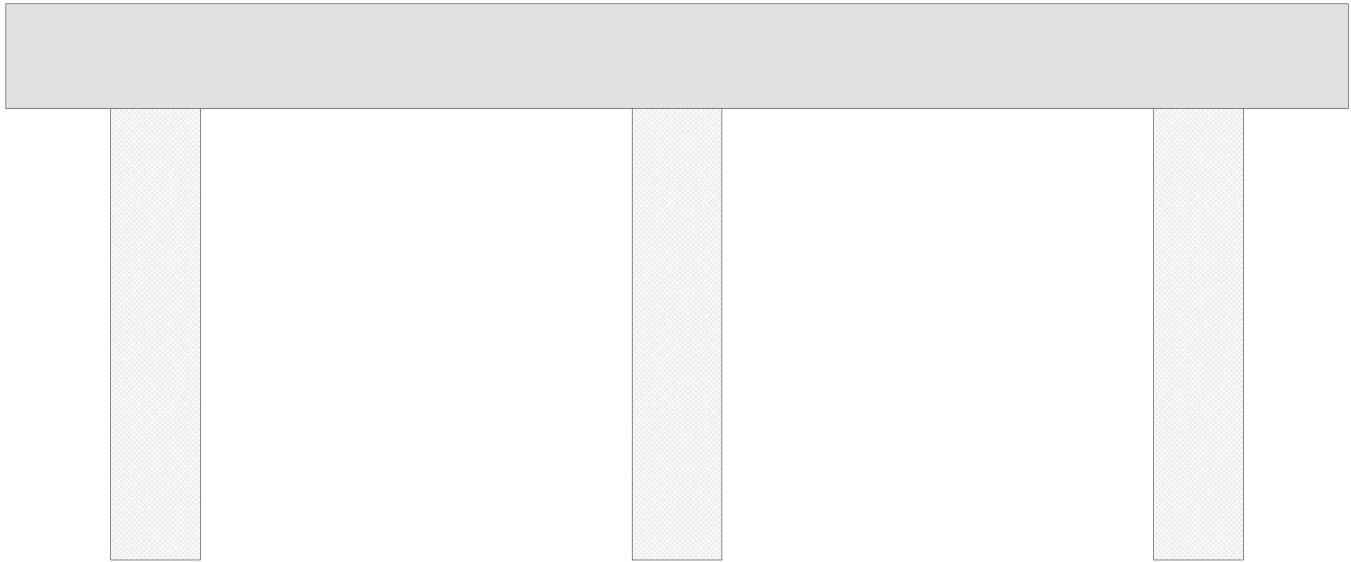
Bridge No: 730465

Drawn By: P.D.IPOCK

Date: 9-27-2011

File Name: S0050001245

Bridge Inspection Field Sketch



Cap Information			Material Cast-in-Place Concrete							
Length	Width	Height	Left Overhang	Right Overhang	Left Beam to End of Cap.	Right Beam to End of Cap.				
44.833 ft.	3.333 ft.	3.500 ft.	5.000 ft.	5.000 ft.						
Subcap Information			Material							
Length	Width	Height	Left Overhang	Right Overhang	Left Pile to Splice.					
Sill Information			Material							
Length	Width	Height								
Pile #	Material	Spacing	Width/Dia.	Height	Length	Orientation	Driven?	Replacement?	Removed?	Collar?
1	Concrete	17.417 ft.	3 ft.			Vertical	No	No	No	No
2	Concrete	17.417 ft.	3 ft.			Vertical	No	No	No	No
3	Concrete		3 ft.			Vertical	No	No	No	No
VERIFIED BY; PD IPOCK, 9-16-2013.										
Bent/Abutment #: 1			Similar Bents: 2							

Title 730465 SUBSTRUCTURE/ BT.1				Description BT.2 SIMILAR WITH STRUTS.			
Bridge No: 730465		Drawn By: PD IPOCK		Date: 9/27/2011		File Name: S0050003125	



EBT.1



SPAN 1 SIDE OF BT.1



SPAN 1 UNDERSIDE. SPANS 1 & 3 SIMILAR



SPAN 2 SIDE OF BT.2



SPAN 1 CLEARANCES, LOOKING SOUTH US13/NC11/NC903.



SPAN 2 CLEARANCES, LOOKING NORTH US13/NC11/NC903.



SPAN 3 CLEARANCE, LOOKING NORTH CSX RAILROAD.



EBT.2



SOUTH SIDE, LOOKING WEST.



SE GUARDRAIL END. SIMILAR @ THE NE GUARDRAIL.



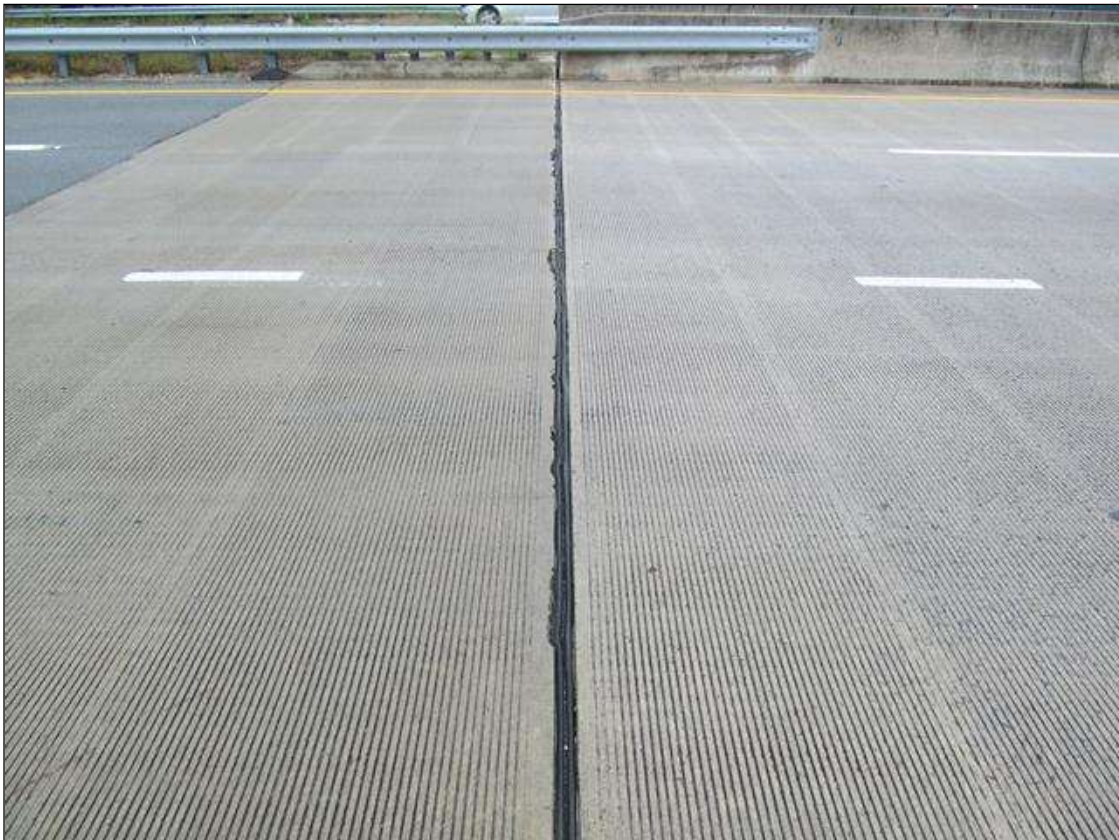
LOOKING WEST, US264 WEST BOUND LANES.



LOOKING WEST



NE GUARDRAIL POST SPACINGS @ THE TRANSITION. SIMILAR @ THE SE GUARDRAIL.



COMPRESSION SEAL @ EBT.2. SIMILAR COMPRESSION SEAL @ THE EBTS & INT. BTS.



GUARDRAIL CONNECTION @ THE NE CORNER. SIMILAR @ THE SE CORNER.



LOOKING NORTH, CSX RAILROAD.



LOOKING NORTH, US13/NC11/NC903.



LOOKING WEST @ THE OFF RAMP TO US13/NC11/NC903.



LOOKING EAST, US264 WEST BOUND LANES.



LOOKING SOUTH, US13/NC11/NC903.



LOOKING SOUTH, CSX RAILROAD



SIMILAR BEARING ASSEMBLIES.



NORTH SIDE, LOOKING WEST.



NC DEPARTMENT OF TRANSPORTATION ATTENTION
 DIVISION OF HIGHWAYS
 BRIDGE MANAGEMENT UNIT

BRIDGE INSPECTION REPORT

INSPECTION TYPE: 2 Year Complete Underwater and Topside

COUNTY PITT BRIDGE NUMBER 730467 INSPECTION CYCLE 2 YRS
 ROUTE US13 ACROSS PARKERS CREEK M.P. 0

LOCATION JCT.US264 & 13 & NC11

TRIPLE8'X8'RCBC;993'9 ALONG CENTERLINE OF CULVERT

SUPERSTRUCTURE **TRIPLE8'X8'RCBC;993'9 ALONG CENTERLINE OF CULVERT**

SUBSTRUCTURE _____

SPANS _____

LONGITUDE 77° 21' 48.70" LATITUDE 35° 39' 31.15"

INSPECTION DATE 09/18/2013 PRESENT CONDITION FAIR

PRESENT POSTING **Not Posted** **NOT POSTED** PROPOSED POSTING _____

OTHER SIGNS PRESENT _____



LOOKING NORTH

Fracture Critical	<u>No</u>
Temporary Shoring	<u>No</u>
Scour Critical	<u>No</u>
Scour POA	<u>No</u>

SIGN NOTICE ISSUED FOR	NUMBERED REQUIRED
<u>No</u> WEIGHT LIMIT	_____
<u>No</u> DELINEATORS	_____
<u>No</u> NARROW BRIDGE	_____
<u>No</u> ONE LANE BRIDGE	_____
<u>No</u> LOW CLEARANCE	_____



UNDERWATER BRIDGE INSPECTION REPORT

INSPECTION TYPE: 2 Year Complete Underwater and Topside

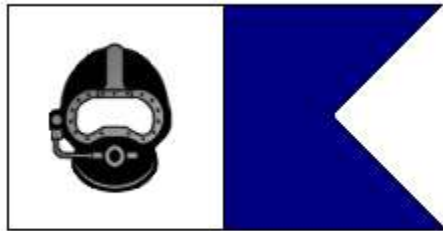
COUNTY PITT BRIDGE NUMBER 730467 INSPECTION CYCLE 2 YRS

ROUTE US13 ACROSS PARKERS CREEK

Inspection Date 09/18/2013 Inspected By Ben Presgrave

Type Work Performed

Man Hours (Spec. Work Only)



Fracture Critical No
 Temporary Shoring No
 Scour Critical No
 Scour POA No

EQUIPMENT USED COMPRESSOR WET SUIT COMMUNICATION - AMRON
 SCUBA DRY SUIT COMMUNICATION OTS
 LIGHTS ROPE UNDERWATER PHOTOS TAKEN
 BOAT CONSTRUCTION EQUIPMENT

DATE	DIVER	CURRENT	VISIBILITY	METEOROLOGY	DEPTH	DIVE TIME
9/23/2013	BC	SWAMP	1'	70* CLEAR	2'	120 MINS.
9/23/2013	RN	SWAMP	1'	70* CLEAR	2'	120 MINS.

NATIONAL BRIDGE INVENTORY----- STRUCTURE INVENTORY AND APPRAISAL

Run Date: 10/14/2013

IDENTIFICATION

(1) STATE NAME -NORTH CAROLINA BRIDGE **730467**
 (8) STRUCTURE NUMBER(FEDERAL) 000000001470467
 (5) INVENTORY ROUTE (ON/UNDER) - ON 21000130
 (2) STATE HIGHWAY DEPARTMENT DISTRICT 1
 (3) COUNTY CODE 147 (4) PLACE CODE 28080
 (6) FEATURE INTERSECTED - PARKERS CREEK
 (7) FACILITY CARRIED US13
 (9) LOCATION JCT.US264 & 13 & NC11
 (11)MILEPOINT 0
 (16)LAT 35° 39' 31.15" (17)LONG 77° 21' 48.70"
 (98)BORDER BRIDGE STATE CODE PCT SHARE
 (99)BORDER BRIDGE STRUCTURE NO

SUFFICIENCY RATING = 86.34
 STATUS = Not Deficient

CLASSIFICATION CODE

(112)NBIS BRIDGE SYSTEM - YES
 (104)HIGHWAY SYSTEM Is on the NHS 1
 (26) FUNCTIONAL CLASS - Other Principal Arterial 14
 (100)STRAHNET HIGHWAY - Not a STRAHNET Route 0
 (101)PARALLEL STRUCTURE - No Parallel Structure N
 (102)DIRECTION OF TRAFFIC - 2-way Traffic 2
 (103)TEMPORARY STRUCTURE -
 (110)DESIGNATED NATIONAL NETWORK - On the National Network 1
 (20) TOLL On Free Road 3
 (31) MAINTAIN - State Highway Agency 01
 (22) OWNER - State Highway Agency 01
 (37) HISTORICAL SIGNIFICANCE - Not Eligible 5

STRUCTURE TYPE AND MATERIAL

(43) STRUCTURE TYPE MAIN: Concrete continuous
 TYPE - Culverts (includes frame culverts) CODE 219
 (44) STRUCTURE TYPE APPR :
 TYPE - CODE 000
 (45) NUMBER OF SPANS IN MAIN UNIT 3
 (46) NUMBER OF APPROACH SPANS
 (107)DECK STRUCTURE TYPE - N CODE
 (108)WEARING SURFACE / PROTECTIVE SYSTEM :
 (A) TYPE OF WEARING SURFACE - CODE
 (B) TYPE OF MEMBRANE - CODE
 (C) TYPE OF DECK PROTECTION - CODE

CONDITION CODE

(58) DECK N
 (59) SUPERSTRUCTURE N
 (60) SUBSTRUCTURE N
 (61) CHANNEL & CHANNEL PROTECTION 7
 (62) CULVERTS 5

LOAD RATING AND POSTING CODE

(31) DESIGN LOAD HS 20 + MOD 6
 (63) OPERATING RATING METHOD - No Rating Analysis or Evaluatic 5
 (64) OPERATING RATING - HS-26 46
 (65) INVENTORY RATING METHOD - No Rating Analysis or Evaluatic 5
 (66) INVENTORY RATING - HS-20 36
 (70) BRIDGE POSTING - No Posting Required 5
 (41) STRUCTURE OPEN, POSTED ,OR CLOSED A
 DESCRIPTION - Open, No Restriction

AGE AND SERVICE

(27) YEAR BUILT 1994
 (106)YEAR RECONSTRUCTED
 (42) TYPE OF SERVICE : ON - Highway
 UNDER - Waterway CODE 15
 (28) LANES: ON STRUCTURE 11 UNDER STRUCTURE 0
 (29) AVERAGE DAILY TRAFFIC 19000
 (30) YEAR OF ADT 2012 (109) TRUCK ADT PCT 12%
 (19) BYPASS OR DETOUR LENGTH 1 MI

APPRAISAL CODE

(67) STRUCTURAL EVALUATION 5
 (68) DECK GEOMETRY N
 (69) UNDERCLEARANCES,VERTI & HORIZ N
 (71) WATERWAY ADEQUACY 5
 (72) APPROACH ROADWAY ALIGNMENT 8
 (36) TRAFFIC SAFETY FEATURES NNNN
 (113)SCOUR CRITICAL BRIDGES 8

GEOMETRIC DATA

(48) LENGTH OF MAXIMUM SPAN 8 FT
 (49) STRUCTURE LENGTH 29 FT
 (50)CURB OR SIDEWALK: LEFT 0 FT RIGHT 0 FT
 (51) BRIDGE ROADWAY WIDTH CURB TO CURB 0 FT
 (52) DECK WIDTH OUT TO OUT 0 FT
 (32) APPROACH ROADWAY WIDTH (W/SHOULDERS) 97 FT
 (33) BRIDGE MEDIAN - No Median CODE 0
 (34) SKEW 69° (35) STRUCTURE FLARED 0
 (10) INVENTORY ROUTE MIN VERT CLEAR 999.9 FT
 (47) INVENTORY ROUTE TOTAL HORIZ CLEAR 97 FT
 (53) MIN VERT CLEAR OVER BRIDGE RDWY 999.9 FT
 (54) MIN VERT UNDERCLEAR REF Not a Highway or Railroad 0 FT
 (55) MIN LAT UNDERCLEAR RT REF Not a Highway or Railroad 000 FT
 (56) MIN LAT UNDERCLEAR LT REF - 000 FT

PROPOSED IMPROVEMENTS

(75) TYPE OF WORK - CODE
 (76) LENGTH OF STRUCTURE IMPROVEMENT
 (94) BRIDGE IMPROVEMENT COST
 (95) ROADWAY IMPROVEMENT COST
 (96) TOTAL PROJECT COST
 (97) YEAR OF IMPROVEMENT COST ESTIMATE
 (114)FUTURE ADT 38000 (115) YEAR FUTURE ADT 2025

INSPECTIONS

(90) INSPECTION DATE 09/18/2013
 (92) CRITICAL FEATURE INSPECTION : (93) CFI DATE
 A) FRACTURE CRIT DETAIL - NO A)
 B) UNDERWATER INSP - YES 24Mo B) 09/18/2013
 C) OTHER SPECIAL INSP NO C)
 SCOUR

NAVIGATION DATA

(38) NAVIGATION CONTROL - No Navigational Control CODE 0
 (111)PIER PROTECTION - CODE
 (39) NAVIGATION VERTICAL CLEARANCE 0
 (116)VERT - LIFT BRIDGE NAV MIN VERT CLEAR FT
 (40) NAVIGATION HORIZONTAL CLEARANCE 0 FT

BRIDGE MANAGEMENT UNIT

DATA ON EXISTING STRUCTURE

Run Date: 10/14/2013

COUNTY : PITT DIVISION : 2 DISTRICT : 1 STRUCTURE NUMBER : 730467 LENGTH : 29 FEET

ROUTE CARRIED : US13 FEATURE INTERSECTED : PARKERS CREEK

LOCATED : JCT.US264 & 13 & NC11 BRIDGE NAME : CITY : GREENVILLE

FUNC. CLASS : 14 SYST.ON : FA SYST.UNDER : NFA ADT & YR : 19000 2012 RAIL TYPE : LT 0 RT 0

BUILT : 1994 BY : DOH PROJ : 8.T220803 FED.AID PROJ : F11113 DESIGN LOAD : HS 20 + MOD

REHAB : BY : PROJ : ALIGNMENT : TAN. SKEW : 21 LANES : ON 11 UNDER 0

NAVIGATION : VC 0 FT HC 0 FT HT. CRN. TO BED : 41 FT WATER DEPTH : 2 FT

SUPERSTRUCTURE : TRIPLE8'X8'RCBC;993'9 ALONG CENTERLINE OF CULVERT

SUBSTRUCTURE :

SPANS :

BEAMS OR GIRDERS :

FLOOR : ENCROACHMENT : DECK (OUT TO OUT) : 0 FT

CLEAR ROADWAY : 0 FT BETWEEN RAILS : 0 FT SIDEWALK OR CURB : LT 0 FT RT 0 FT

VERT.CL.OVER : 999.9 FT

INV.RTG. : HS-20 OPE.RTG. : HS-26 CONTR.MEMBER : POSTED : SV TTST DATE 01/01/0001

SYSTEM : Primary U.S. Route GREEN LINE ROUTE : N

UNDER ROUTES AND CLEARANCES

REMARKS :

BRIDGE INSPECTION RECORD AND SUMMARY (R. C. BOX CULVERTS)

 INSPECTION TYPE 2 Year Complete Underwater and Topside
 BRIDGE NO. 730467

 INSPECTION DATE 09/18/2013
 OVER PARKERS CREEK

 ROUTE ORIENTATION W - E
 ROUTE US13

EVALUATION CODES: CRITICAL (C, 0 - 3); POOR (P, 4); FAIR (F, 5, 6); GOOD (G, 7 - 9)

1. Top Slab		F
2. Bottom Slab		F
3. Ext. & Int. Walls		F
4. Wingwalls - Retaining Walls		F
5. Headwalls, Toewalls, Flumes		G
6. Structure Alignment - Settlement		G
7. Drainage Systems (On Structure)		G
8. Channel & Channel Protection	a. Waterway	F
	b. Alignment	G
	c. Scour	G
	d. Slope Prot. (Rip-Rap, Dikes, etc.)	
9. Approach Roadway Condition		G
10. Estimated Remaining Life		46
11. Channel & Channel Protection	Item 61	7
12. Culvert & Retaining Walls	Item 62	5
13. Waterway Adequacy	Item 71	5
14. Approach Roadway	Item 72	8
15. Field Scour Evaluation		G
16. Presently Posted		NO
17. Regulatory Sign Notice Issued		NO
18. Prompt Action Notice Issued		NO
19. Total Field Inspection Time		19
20. Inspected By		<i>Barry</i>

Bridge I&A Form 1(82)H		FIELD INSPECTION REPORT <u>Bridge Inspection & Analysis</u>	
State of North Carolina Dept. of Transportation Division of Highways			
Team Leader Ben Presgrave			
Assisted By BC & RN			
Item No.	Grade		
8a	F	1'-3' SILT IN BARRELS DRIFT ON UPSTREAM ENDS.	
1	F	H/L TO 1/16" CRACKS WITH EFFLO THROUGHOUT BARRELS	
2	F	COVERED WITH 1' - 3' SILT.	
3	F	H/L TO 1/16" CRACKS WITH EFFLO THROUGHOUT BARRELS	
4	F	WINGWALLS HAVE JOINT MATERIAL MISSING WITH FILL LEAKAGE. SIMILAR AT ALL CORNERS.	
7	G	5' DIA. DRAINAGE PIPE, 530' FROM SOUTH END BARREL 3. 3' DIA. DRAINAGE PIPE, 300' FROM SOUTH END BARREL 1. 3' DIA. DRAINAGE PIPE, 200' FROM NORTH END BARREL 1.	
13	5	1' - 3' SILT IN BARRELS	

BRIDGE INSPECTOR'S RECOMMENDATION FOR MAINTENANCE REPAIRS

Bridge: 730467

County PITT

Date: 09/18/2013

These Repairs Should Be Made Within Twelve Months From Date Of This Inspection

MMS Code	Description of Function	Unit	Quantity	Remarks	Est. Cost
3350	Maint R C Wings and Walls	SF	20	REPAIR JOINT MATERIAL AT ALL WINGWALLS	

Key



Priority Maintenance Item



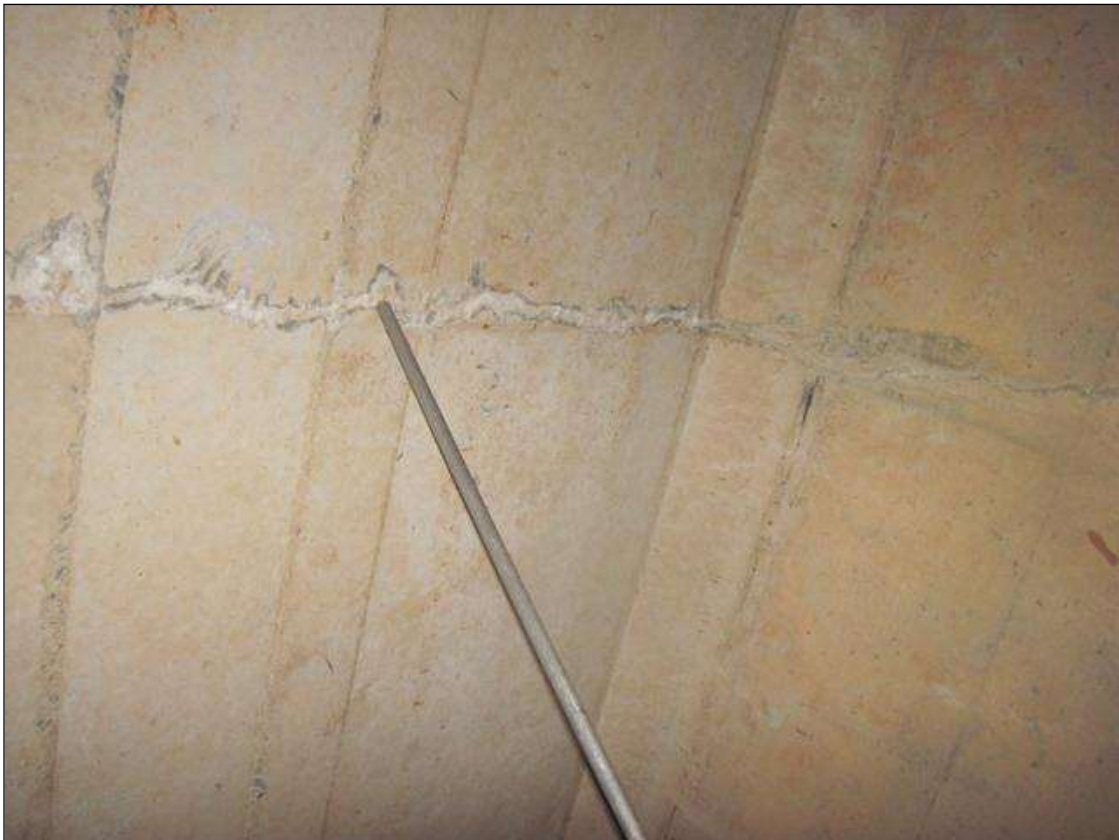
Critical Finding Item



Priority Maintenance Level Not Determined



MISSING EXPANSION JOINT MATERIAL AT SOUTHWEST WINGWALL WITH FILL FILTERING THROUGH



H/L TO 1/16" CRACK WITH EFFLO, ACROSS TOP AND DOWN INTERIOR WALLS

Culvert Segment Details

Barrel 1

Has Bands?: No

Distance From Upstream End to Edge of Pavement: GREATER THAN 100ft

	Distance From Upstream End of Segment (ft)	Width (ft)	Height (ft)	Pipe Thickness (in)	Corrugation Pattern	Leg Length (ft)	Top Radius (ft)	Bolt Material	Bolt Diameter (in)	# of Long. Bolt Rows	Transverse Spacing b/w Bolt Rows (ft)	Longitudinal Bolt Spacing (ft)	Bolt Condition	Rib Length (ft)	Rib Spacing (ft)	Type	Material
Upstream End	0	8	8													RCBC	Concrete
Downstream End	993.5	8	8													RCBC	Concrete

Culvert Segment Details

Barrel 2

Has Bands?: No

Distance From Upstream End to Edge of Pavement: GREATER THAN 100ft

	Distance From Upstream End of Segment (ft)	Width (ft)	Height (ft)	Pipe Thickness (in)	Corrugation Pattern	Leg Length (ft)	Top Radius (ft)	Bolt Material	Bolt Diameter (in)	# of Long. Bolt Rows	Transverse Spacing b/w Bolt Rows (ft)	Longitudinal Bolt Spacing (ft)	Bolt Condition	Rib Length (ft)	Rib Spacing (ft)	Type	Material
Upstream End	0	8	8													RCBC	Concrete
Downstream End	993.5	8	8													RCBC	Concrete

Culvert Segment Details

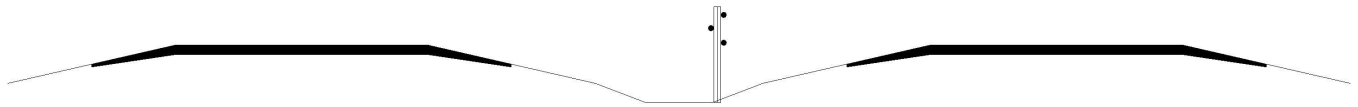
Barrel 3

Has Bands?: No

Distance From Upstream End to Edge of Pavement: GREATER THAN 100ft

	Distance From Upstream End of Segment (ft)	Width (ft)	Height (ft)	Pipe Thickness (in)	Corrugation Pattern	Leg Length (ft)	Top Radius (ft)	Bolt Material	Bolt Diameter (in)	# of Long. Bolt Rows	Transverse Spacing b/w Bolt Rows (ft)	Longitudinal Bolt Spacing (ft)	Bolt Condition	Rib Length (ft)	Rib Spacing (ft)	Type	Material
Upstream End	0	8	8													RCBC	Concrete
Downstream End	993.5	8	8													RCBC	Concrete

Bridge Inspection Field Sketch



Left Lanes			
Roadway	24ft Wide	2 Paved Lanes	West Bound
Left Shoulder	2ft Wide	2ft Paved	
Right Shoulder	14ft Wide	2ft Paved	12ft Unpaved
Left Guardrail			
Right Guardrail			
Median	41.75ft Wide	0ft High	
Right Lanes			
Roadway	24ft Wide	2 Paved Lanes	East Bound
Left Shoulder	2ft Wide	2ft Paved	
Right Shoulder	14ft Wide	2ft Paved	12ft Unpaved
Left Guardrail			
Right Guardrail			

VERIFIED: 9/18/13

Title

730467 APPROACH ROADWAY/ WEST APPROACH

Description

LOOKING EAST US 264.

Bridge No: 730467

Drawn By: P.D.IPOCK

Date: 9-20-11

File Name: S0050001259

Bridge Inspection Field Sketch

PAGE LEFT BLANK

Title

730467 STRUCTURE

Description

TRIPLE RCBC.

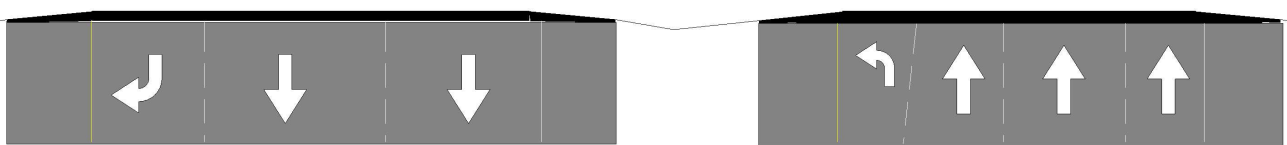
Bridge No: 730467

Drawn By: P.D.IPOCK

Date: 9-20-11

File Name: S0050002818

Bridge Inspection Field Sketch



Left Lanes			
Roadway	32ft Wide	3 Paved Lanes	South Bound
Left Shoulder	4ft Wide	4ft Paved	
Right Shoulder	13ft Wide	6ft Paved	7ft Unpaved
Left Guardrail			
Right Guardrail			
Median	20ft Wide	0ft High	
Right Lanes			
Roadway	37ft Wide	4 Paved Lanes	North Bound
Left Shoulder	13ft Wide	13ft Paved	
Right Shoulder	11ft Wide	5ft Paved	6ft Unpaved
Left Guardrail			
Right Guardrail	6ft from road		

VERIFIED: 9/18/13

Title

730467 APPROACH ROADWAY/ SOUTH APPROACH

Description

LOOKING NORTH US 13 AND NC 11.

Bridge No: 730467

Drawn By: P.D.IPOCK

Date: 9-20-11

File Name: S0050001261

Bridge Inspection Field Sketch

2' DEPTH

3' DIA. DRAIN PIPE, 200' FROM NORTH ENDS

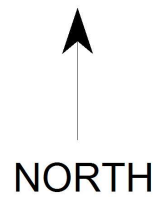
BARREL-1 993.5' LENGTH

BARREL-2 993.5' LENGTH

BARREL-3 993.5' LENGTH

5' DIA. DRAIN PIPE, 530' FROM SOUTH ENDS

3' DIA. DRAIN PIPE, 300' FROM SOUTH ENDS



DOWNSTREAM 2' DEPTH

Title

CHANNEL PLAN

Description

CHANNEL PLAN

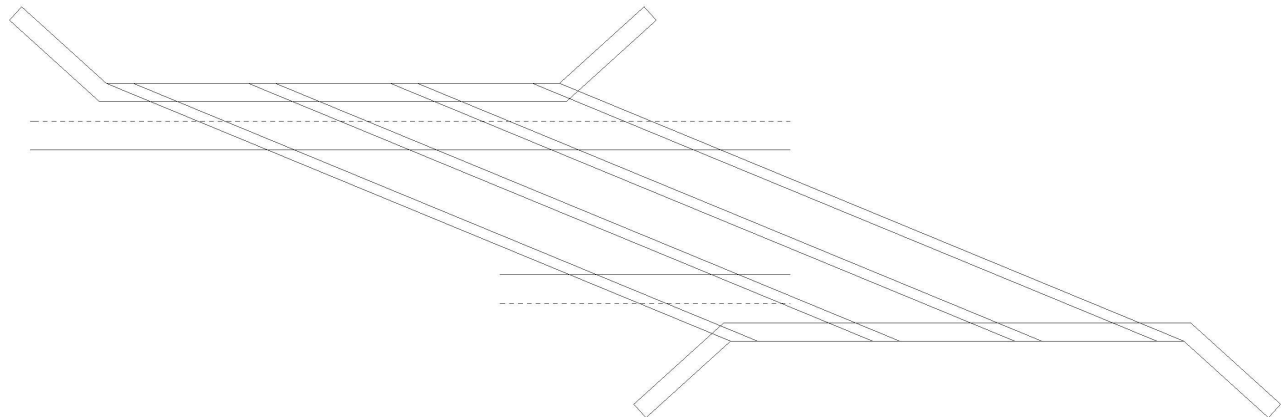
Bridge No: 730467

Drawn By: RN

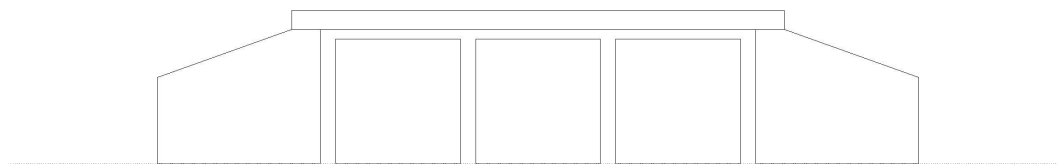
Date: 10/7/2013

File Name: S0166000724

Bridge Inspection Field Sketch



Crown of Roadway



Bed

Looking Downstream

Number of Barrels	Skew	Distance From Crown to Bed	Fill Depth
3	21°	31ft	23ft
Length Along Center Line of Culvert		Length Along Center Line of Roadway	
993.5ft		29ft	

Barrel #	Width	Height	Wall Thickness	Scour at Inlet	Scour at Outlet
1	8ft	8ft		0	0
2	8ft	8ft	.667ft	0	0
3	8ft	8ft	.667.ft	0	0

Title
CULVERT DATA

Description
CULVERT DATA

Bridge No: 730467

Drawn By: RN

Date: 10/7/2013

File Name: S0166000725



LOOKING NORTH THROUGH BARREL 3



LOOKING NORTH THROUGH BARREL 2



5' DIAMETER DRAINAGE PIPE, 530 FEET IN FROM SOUTH END, BARREL 3



NORTH ENDS



LOOKING NORTH THROUGH BARREL 1



DRAINAGE PIPE, 300 FEET FROM SOUTH END. BARREL 1



DRAIN PIPE, 200 FEET FROM NORTH END. BARREL 1



GUARD RAIL END



LOOKING SOUTH



SOUTH APPROACH



NORTH APPROACH



LOOKING NORTH



NC DEPARTMENT OF TRANSPORTATION
 DIVISION OF HIGHWAYS
 BRIDGE MANAGEMENT UNIT

ATTENTION

PM ISSUED FOR DRIFT AT UPSTREAM END OF
 CULVERT

BRIDGE INSPECTION REPORT

INSPECTION TYPE: Routine Inspection

COUNTY PITT BRIDGE NUMBER 730468 INSPECTION CYCLE 2 YRS
 ROUTE US264 RAMP ACROSS PARKERS CREEK M.P. 0

LOCATION JCT.US264 & 13 & NC11

SUPERSTRUCTURE TRIPLE 8'X8' RCBC; 65' 11" ALONG CENTERLINE OF CULVERT

SUBSTRUCTURE _____

SPANS _____

LONGITUDE 77° 22' 41.25" LATITUDE 35° 39' 39.08"

INSPECTION DATE 09/05/2013 PRESENT CONDITION GOOD

PRESENT POSTING N **NOT POSTED** PROPOSED POSTING _____

OTHER SIGNS PRESENT NONE



LOOKING WEST

Fracture Critical	<u>No</u>
Temporary Shoring	<u>No</u>
Scour Critical	<u>No</u>
Scour POA	<u>No</u>

SIGN NOTICE ISSUED FOR	NUMBERED REQUIRED
<u>No</u> WEIGHT LIMIT	_____
<u>No</u> DELINEATORS	_____
<u>No</u> NARROW BRIDGE	_____
<u>No</u> ONE LANE BRIDGE	_____
<u>No</u> LOW CLEARANCE	_____

IDENTIFICATION							
(1) STATE NAME -NORTH CAROLINA	BRIDGE	730468		SUFFICIENCY RATING =		99.76	
(8) STRUCTURE NUMBER(FEDERAL)		000000001470468		STATUS =	Not Deficient		
(5) INVENTORY ROUTE (ON/UNDER) - ON		27002640					
(2) STATE HIGHWAY DEPARTMENT DISTRICT		1		CLASSIFICATION		CODE	
(3) COUNTY CODE 147 (4) PLACE CODE		0		(112)NBIS BRIDGE SYSTEM -		YES	
(6) FEATURE INTERSECTED - PARKERS CREEK				(104)HIGHWAY SYSTEM Is not on NHS		0	
(7) FACILITY CARRIED US264 RAMP				(26) FUNCTIONAL CLASS - Arterial - Other		12	
(9) LOCATION JCT.US264 & 13 & NC11				(100)STRAHNET HIGHWAY - Not a STRAHNET Route		0	
(11)MILEPOINT		0		(101)PARALLEL STRUCTURE - No Parallel Structure		N	
(16)LAT 35° 39' 39.08" (17)LONG 77° 22' 41.25"				(102)DIRECTION OF TRAFFIC - 1-way Traffic		1	
(98)BORDER BRIDGE STATE CODE	PCT SHARE			(103)TEMPORARY STRUCTURE -			
(99)BORDER BRIDGE STRUCTURE NO				(110)DESIGNATED NATIONAL NETWORK - On the National Network		1	
				(20) TOLL On Free Road		3	
				(31) MAINTAIN - State Highway Agency		01	
				(22) OWNER - State Highway Agency		01	
				(37) HISTORICAL SIGNIFICANCE - Not Eligible		5	
STRUCTURE TYPE AND MATERIAL				CONDITION			
(43) STRUCTURE TYPE MAIN: Concrete continuous				(58) DECK		N	
TYPE - Culverts (includes frame culverts)	CODE	219		(59) SUPERSTRUCTURE		N	
(44) STRUCTURE TYPE APPR :				(60) SUBSTRUCTURE		N	
TYPE -	CODE	000		(61) CHANNEL & CHANNEL PROTECTION		4	
(45) NUMBER OF SPANS IN MAIN UNIT		3		(62) CULVERTS		7	
(46) NUMBER OF APPROACH SPANS				LOAD RATING AND POSTING		CODE	
(107)DECK STRUCTURE TYPE - N	CODE			(31) DESIGN LOAD HS 20 + MOD		6	
(108)WEARING SURFACE / PROTECTIVE SYSTEM :				(63) OPERATING RATING METHOD - Load and Resistance Factor		3	
(A) TYPE OF WEARING SURFACE -	CODE			(64) OPERATING RATING - HS-42		76	
(B) TYPE OF MEMBRANE -	CODE			(65) INVENTORY RATING METHOD - Load and Resistance Factor		3	
(C) TYPE OF DECK PROTECTION -	CODE			(66) INVENTORY RATING - HS-32		58	
				(70) BRIDGE POSTING - No Posting Required		5	
				(41) STRUCTURE OPEN, POSTED ,OR CLOSED		A	
				DESCRIPTION - Open, No Restriction			
AGE AND SERVICE				APPRAISAL			
(27) YEAR BUILT		1994		(67) STRUCTURAL EVALUATION		7	
(106)YEAR RECONSTRUCTED				(68) DECK GEOMETRY		N	
(42) TYPE OF SERVICE : ON - Highway				(69) UNDERCLEARANCES,VERTI & HORIZ		N	
UNDER - Waterway	CODE	15		(71) WATERWAY ADEQUACY		7	
(28) LANES: ON STRUCTURE 1 UNDER STRUCTURE		0		(72) APPROACH ROADWAY ALIGNMENT		8	
(29) AVERAGE DAILY TRAFFIC		3250		(36) TRAFFIC SAFETY FEATURES		NNNN	
(30) YEAR OF ADT 2012 (109) TRUCK ADT PCT		12%		(113)SCOUR CRITICAL BRIDGES		8	
(19) BYPASS OR DETOUR LENGTH		1 MI		PROPOSED IMPROVEMENTS		CODE	
GEOMETRIC DATA				(75) TYPE OF WORK -			
(48) LENGTH OF MAXIMUM SPAN		8 FT		(76) LENGTH OF STRUCTURE IMPROVEMENT			
(49) STRUCTURE LENGTH		26 FT		(94) BRIDGE IMPROVEMENT COST			
(50)CURB OR SIDEWALK: LEFT 0 FT RIGHT		0 FT		(95) ROADWAY IMPROVEMENT COST			
(51) BRIDGE ROADWAY WIDTH CURB TO CURB		0 FT		(96) TOTAL PROJECT COST			
(52) DECK WIDTH OUT TO OUT		0 FT		(97) YEAR OF IMPROVEMENT COST ESTIMATE			
(32) APPROACH ROADWAY WIDTH (W/SHOULDERS)		18 FT		(114)FUTURE ADT 6500 (115) YEAR FUTURE ADT 2025			
(33) BRIDGE MEDIAN - No Median	CODE	0		INSPECTIONS			
(34) SKEW 13° (35) STRUCTURE FLARED		0		(90) INSPECTION DATE		09/05/2013	
(10) INVENTORY ROUTE MIN VERT CLEAR		999.9 FT		(92) CRITICAL FEATURE INSPECTION :		(93) CFI DATE	
(47) INVENTORY ROUTE TOTAL HORIZ CLEAR		18 FT		A) FRACTURE CRIT DETAIL - NO		A)	
(53) MIN VERT CLEAR OVER BRIDGE RDWY		999.9 FT		B) UNDERWATER INSP - NO		B)	
(54) MIN VERT UNDERCLEAR REF Not a Highway or Railroad		0 FT		C) OTHER SPECIAL INSP NO		C)	
(55) MIN LAT UNDERCLEAR RT REF Not a Highway or Railroad		000 FT		SCOUR			
(56) MIN LAT UNDERCLEAR LT REF -		000 FT					
NAVIGATION DATA							
(38) NAVIGATION CONTROL - No Navigational Control	CODE	0					
(111)PIER PROTECTION -	CODE						
(39) NAVIGATION VERTICAL CLEARANCE		0					
(116)VERT - LIFT BRIDGE NAV MIN VERT CLEAR	FT						
(40) NAVIGATION HORIZONTAL CLEARANCE		0 FT					

BRIDGE MANAGEMENT UNIT

DATA ON EXISTING STRUCTURE

Run Date: 09/17/2013

COUNTY : PITT DIVISION : 2 DISTRICT : 1 STRUCTURE NUMBER : 730468 LENGTH : 26 FEET

ROUTE CARRIED : US264 RAMP FEATURE INTERSECTED : PARKERS CREEK

LOCATED : JCT.US264 & 13 & NC11 BRIDGE NAME : CITY :

FUNC. CLASS : 12 SYST.ON : FA SYST.UNDER : NFA ADT & YR : 3250 2012 RAIL TYPE : LT 0 RT 0

BUILT : 1994 BY : DOH PROJ : 8.T220803 FED.AID PROJ : F11113 DESIGN LOAD : HS 20 + MOD

REHAB : BY : PROJ : ALIGNMENT : TAN. SKEW : 77 LANES : ON 1 UNDER 0

NAVIGATION : VC 0 FT HC 0 FT HT. CRN. TO BED : 15 FT WATER DEPTH : 1 FT

SUPERSTRUCTURE : TRIPLE8'X8'RCBC;65'11 ALONG CENTERLINE OF CULVERT

SUBSTRUCTURE :

SPANS :

BEAMS OR GIRDERS :

FLOOR : ENCROACHMENT : DECK (OUT TO OUT) : 0 FT

CLEAR ROADWAY : 0 FT BETWEEN RAILS : 0 FT SIDEWALK OR CURB : LT 0 FT RT 0 FT

VERT.CL.OVER : 999.9 FT

INV.RTG. : HS-32 OPE.RTG. : HS-42 CONTR.MEMBER : RCBC POSTED : SV TTST DATE

SYSTEM : Primary U.S. Route GREEN LINE ROUTE : N

UNDER ROUTES AND CLEARANCES

REMARKS :

BRIDGE INSPECTION RECORD AND SUMMARY (R. C. BOX CULVERTS)

 INSPECTION TYPE Routine Inspection
 BRIDGE NO. 730468

ROUTE US264 RAMP

INSPECTION DATE 09/05/2013

ROUTE ORIENTATION W - E

OVER PARKERS CREEK

EVALUATION CODES: CRITICAL (C, 0 - 3); POOR (P, 4); FAIR (F, 5, 6); GOOD (G, 7 - 9)

1. Top Slab		G
2. Bottom Slab		
3. Ext. & Int. Walls		G
4. Wingwalls - Retaining Walls		F
5. Headwalls, Toewalls, Flumes		G
6. Structure Alignment - Settlement		G
7. Drainage Systems (On Structure)		G
8. Channel & Channel Protection	a. Waterway	P F TSB 10/24/13
	b. Alignment	G
	c. Scour	G
	d. Slope Prot. (Rip-Rap, Dikes, etc.)	
9. Approach Roadway Condition		G
10. Estimated Remaining Life		48
11. Channel & Channel Protection	Item 61	A 5 TSB 10/24/13
12. Culvert & Retaining Walls	Item 62	7
13. Waterway Adequacy	Item 71	7
14. Approach Roadway	Item 72	8
15. Field Scour Evaluation		G
16. Presently Posted		NO
17. Regulatory Sign Notice Issued		NO
18. Prompt Action Notice Issued		NO
19. Total Field Inspection Time		8
20. Inspected By		B.G. Little

Bridge I&A Form 1(82)H State of North Carolina Dept. of Transportation Division of Highways		FIELD INSPECTION REPORT <u>Bridge Inspeccion & Analysis</u>	
Team Leader BG LITTLETON, JR.			
Assisted By PD IPOCK			
Item No.	Grade		
8a	P	(WATERWAY)	
		PM ISSUED FOR;	
		LARGE DRIFT PILE AT UPSTREAM END OF BARRELS. (PHOTO)	
		BARREL 1 IS PARTIALLY BLOCKED BY DRIFT WITH MAIN FLOW AT THIS LINE. (PHOTO)	
1	G	(TOP SLABS)	
		NO NOTEWORTHY PROBLEMS.	
		(BOTTOM SLABS)	
		NOT VISIBLE	
3	G	(INT. & EXT. WALLS)	
		HL VERTICAL CRACKS AT RANDOM.	
4	F	(WINGWALLS)	
		JOINT MATERIAL IS DETERIORATED.	
5	G	(HEADWALLS)	
		HORIZONTAL CRACK ALONG THE SOUTH HEADWALL.	
16	NO	(PRESENTLY POSTED)	
		NOT POSTED	


BRIDGE INSPECTOR'S RECOMMENDATION FOR MAINTENANCE REPAIRS

Bridge: 730468

County PITT

Date: 09/05/2013

These Repairs Should Be Made Within Twelve Months From Date Of This Inspection

MMS Code	Description of Function	Unit	Quantity	Remarks	Est. Cost
 3366	Drift and Debris Removal	HR	<i>75 TSE 10/24/13</i>	LARGE DRIFT PILE AT UPSTREAM END OF BARRELS. (PHOTO)	
3350	Maint R C Wings and Walls	SF	24	JOINT MATERIAL IS DETERIORATING AT WINGS.	

Key



Priority Maintenance Item



Critical Finding Item



Priority Maintenance Level Not Determined

BRIDGE INSPECTOR'S RECOMMENDATION FOR PRIORITY MAINTENANCE REPAIRS

Bridge: 730468

County PITT

THE FOLLOWING MAINTENANCE ITEMS HAVE BEEN SUBMITTED IN CONJUNCTION WITH A PRIORITY MAINTENANCE REQUEST

MMS Code	MMS Description	Quantity
3366	Drift and Debris Removal	75 HR
Location:		
RCBC Culvert	Bent/Span No. 1	HYDRAULIC OPENING
Priority Level	Status	
Priority Maintenance	Division Bridge Maintenance Notification	
Submitted Date:	Submitted By:	Assisted By:
09/05/2013	BG LITTLETON, JR.	PD IPOCK
Details		
LARGE DRIFT PILE AT UPSTREAM END OF BARRELS. (PHOTO)		



LARGE DRIFT PILE AT UPSTREAM END OF BARRELS.



BARREL 1 IS PARTIALLY BLOCKED BY DRIFT WITH MAIN FLOW AT THIS LINE.

Bridge Inspection Field Sketch

REMEASURED '07.



RAMP TO US 264 WB LANES

Roadway	14ft Wide	1 Paved Lanes	Looking West
Left Shoulder	8.25ft Wide	2ft Paved	6.25ft Unpaved
Right Shoulder	8.25ft Wide	2ft Paved	6.25ft Unpaved
Left Guardrail	8.25ft from road		
Right Guardrail	8.25ft from road		

VERIFIED 9-5-13 BY BGL

Title

730468 APPROACH ROADWAY

Description

LOOKING WEST

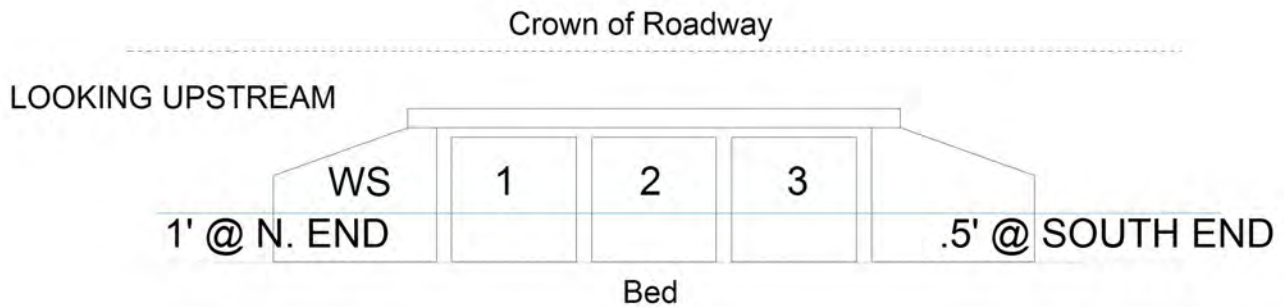
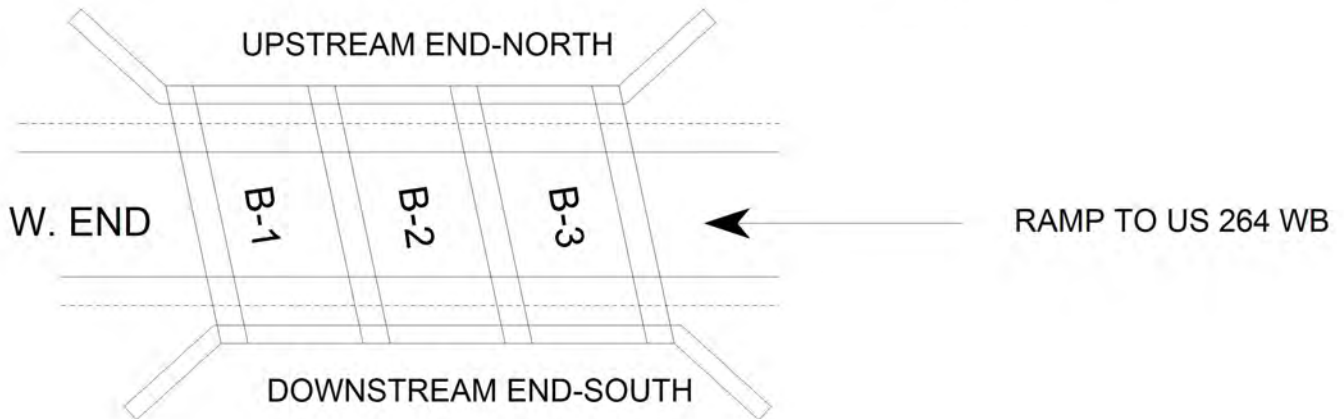
Bridge No: 730468

Drawn By: P.D.IPOCK

Date: 9-20-11

File Name: S0050001257

Bridge Inspection Field Sketch



Number of Barrels	Skew	Distance From Crown to Bed
3	77°	15ft
Length Along Center Line of Culvert	Length Along Center Line of Roadway	
65.917ft	26.167ft	

Barrel #	Width	Height	Wall Thickness	Scour at Inlet	Scour at Outlet
1	8ft	8ft		0	0
2	8ft	8ft	0.583ft	0	0
3	8ft	8ft	0.583ft	0	0

VERIFIED 9-5-13 BY BGL

Title 730468 STRUCTURE	Description TRIPLE RCBC.
----------------------------------	------------------------------------

Bridge No: 730468	Drawn By: P.D.IPOCK	Date: 9-20-11	File Name: S0050002813
-------------------	---------------------	---------------	------------------------



LOOKING WEST



LOOKING DOWNSTREAM-SOUTH



LOOKING EAST, RAMP TO US 264 W. BOUND.



LOOKING UPSTREAM-NORTH



NORTH END, LOOKING EAST



SOUTH END, LOOKING EAST



NC DEPARTMENT OF TRANSPORTATION ATTENTION
 DIVISION OF HIGHWAYS
 BRIDGE MANAGEMENT UNIT

BRIDGE INSPECTION REPORT

INSPECTION TYPE: Routine Inspection

COUNTY PITT BRIDGE NUMBER 730050 INSPECTION CYCLE 2 YRS
 ROUTE NC33 ACROSS JOHNSON'S MILL RUN M.P. 0

LOCATION 0.9 MI SE JCT SR1417

SUPERSTRUCTURE RC FLOOR ON TIMBER JOIST BMD-10 MR-MODIFIED

SUBSTRUCTURE E.BTS&INT.BTS:TIMBER CAPS/TIMBER PILES@VAR.CTS.

SPANS 1@18';1@17';1@17'9

LONGITUDE 77° 24' 27.62" LATITUDE 35° 39' 25.14"

INSPECTION DATE 09/11/2013 PRESENT CONDITION FAIR

PRESENT POSTING Y NOT POSTED PROPOSED POSTING _____

OTHER SIGNS PRESENT (4) DELINEATORS



LOOKING EAST

Fracture Critical	<u>No</u>
Temporary Shoring	<u>Yes</u>
Scour Critical	<u>No</u>
Scour POA	<u>No</u>

SIGN NOTICE ISSUED FOR	NUMBERED REQUIRED
<u>No</u> WEIGHT LIMIT	_____
<u>No</u> DELINEATORS	_____
<u>No</u> NARROW BRIDGE	_____
<u>No</u> ONE LANE BRIDGE	_____
<u>No</u> LOW CLEARANCE	_____

IDENTIFICATION				CLASSIFICATION			
(1) STATE NAME -NORTH CAROLINA	BRIDGE	730050		SUFFICIENCY RATING =			35.25
(8) STRUCTURE NUMBER(FEDERAL)		000000001470050		STATUS =	Structurally Deficient		
(5) INVENTORY ROUTE (ON/UNDER) - ON		31000330					
(2) STATE HIGHWAY DEPARTMENT DISTRICT		1					
(3) COUNTY CODE	147	(4) PLACE CODE	28080	(112)NBIS BRIDGE SYSTEM -			YES
(6) FEATURE INTERSECTED - JOHNSON'S MILL RUN				(104)HIGHWAY SYSTEM	Is not on NHS		0
(7) FACILITY CARRIED NC33				(26) FUNCTIONAL CLASS -	Minor Arterial		16
(9) LOCATION 0.9 MI SE JCT SR1417				(100)STRAHNET HIGHWAY -	Not a STRAHNET Route		0
(11)MILEPOINT			0	(101)PARALLEL STRUCTURE -	No Parallel Structure		N
(16)LAT 35° 39' 25.14"	(17)LONG	77° 24' 27.62"		(102)DIRECTION OF TRAFFIC -	2-way Traffic		2
(98)BORDER BRIDGE STATE CODE		PCT SHARE		(103)TEMPORARY STRUCTURE -	Temporary Structure/Conditions		T
(99)BORDER BRIDGE STRUCTURE NO				(110)DESIGNATED NATIONAL NETWORK -	On the National Network		1
				(20) TOLL	On Free Road		3
				(31) MAINTAIN -	State Highway Agency		01
				(22) OWNER -	State Highway Agency		01
				(37) HISTORICAL SIGNIFICANCE -	Not Eligible		5
STRUCTURE TYPE AND MATERIAL				CONDITION			
(43) STRUCTURE TYPE MAIN: Wood or Timber				(58) DECK			7
TYPE - Stringer Multibeam or Girder		CODE	702	(59) SUPERSTRUCTURE			5
(44) STRUCTURE TYPE APPR :				(60) SUBSTRUCTURE			3
TYPE -		CODE	000	(61) CHANNEL & CHANNEL PROTECTION			7
(45) NUMBER OF SPANS IN MAIN UNIT			3	(62) CULVERTS			N
(46) NUMBER OF APPROACH SPANS							
(107)DECK STRUCTURE TYPE - 1		CODE		LOAD RATING AND POSTING			
(108)WEARING SURFACE / PROTECTIVE SYSTEM :				(31) DESIGN LOAD	H 10		1
(A) TYPE OF WEARING SURFACE -		CODE		(63) OPERATING RATING METHOD -	Allowable Stress		2
(B) TYPE OF MEMBRANE -		CODE		(64) OPERATING RATING -	HS-1		1
(C) TYPE OF DECK PROTECTION -		CODE		(65) INVENTORY RATING METHOD -	Allowable Stress		2
				(66) INVENTORY RATING -	HS-1		1
				(70) BRIDGE POSTING -	No Posting Required		5
				(41) STRUCTURE OPEN, POSTED ,OR CLOSED			D
				DESCRIPTION -	Open Temporary Shoring		
AGE AND SERVICE				APPRAISAL			
(27) YEAR BUILT			1956	(67) STRUCTURAL EVALUATION			3
(106)YEAR RECONSTRUCTED			1974	(68) DECK GEOMETRY			4
(42) TYPE OF SERVICE : ON - Highway				(69) UNDERCLEARANCES,VERTI & HORIZ			N
UNDER - Waterway		CODE	15	(71) WATERWAY ADEQUACY			7
(28) LANES: ON STRUCTURE 2 UNDER STRUCTURE			0	(72) APPROACH ROADWAY ALIGNMENT			8
(29) AVERAGE DAILY TRAFFIC			4700	(36) TRAFFIC SAFETY FEATURES			0000
(30) YEAR OF ADT 2012	(109) TRUCK ADT PCT		6%	(113)SCOUR CRITICAL BRIDGES			5
(19) BYPASS OR DETOUR LENGTH			3 MI	PROPOSED IMPROVEMENTS			
GEOMETRIC DATA				(75) TYPE OF WORK -			CODE
(48) LENGTH OF MAXIMUM SPAN			17 FT	(76) LENGTH OF STRUCTURE IMPROVEMENT			
(49) STRUCTURE LENGTH			53 FT	(94) BRIDGE IMPROVEMENT COST			
(50)CURB OR SIDEWALK: LEFT .4165 FT RIGHT .4165 FT				(95) ROADWAY IMPROVEMENT COST			
(51) BRIDGE ROADWAY WIDTH CURB TO CURB			33.25 FT	(96) TOTAL PROJECT COST			
(52) DECK WIDTH OUT TO OUT			34.667 FT	(97) YEAR OF IMPROVEMENT COST ESTIMATE			
(32) APPROACH ROADWAY WIDTH (W/SHOULDERS)			24 FT	(114)FUTURE ADT 9400	(115) YEAR FUTURE ADT	2025	
(33) BRIDGE MEDIAN - No Median		CODE	0	INSPECTIONS			
(34) SKEW 45°	(35) STRUCTURE FLARED		0	(90) INSPECTION DATE			09/11/2013
(10) INVENTORY ROUTE MIN VERT CLEAR			999.9 FT	(92) CRITICAL FEATURE INSPECTION :			(93) CFI DATE
(47) INVENTORY ROUTE TOTAL HORIZ CLEAR			33.25 FT	A) FRACTURE CRIT DETAIL -	NO		A)
(53) MIN VERT CLEAR OVER BRIDGE RDWY			999.9 FT	B) UNDERWATER INSP -	NO		B)
(54) MIN VERT UNDERCLEAR REF Not a Highway or Railroad			0 FT	C) OTHER SPECIAL INSP	NO		C)
(55) MIN LAT UNDERCLEAR RT REF Not a Highway or Railroad			000 FT	SCOUR			
(56) MIN LAT UNDERCLEAR LT REF -			000 FT	NAVIGATION DATA			
(38) NAVIGATION CONTROL - No Navigational Control		CODE	0	(99) NAVIGATION VERTICAL CLEARANCE			0
(111)PIER PROTECTION -		CODE		(116)VERT - LIFT BRIDGE NAV MIN VERT CLEAR			FT
(39) NAVIGATION VERTICAL CLEARANCE			0	(40) NAVIGATION HORIZONTAL CLEARANCE			0 FT
(116)VERT - LIFT BRIDGE NAV MIN VERT CLEAR			FT				
(40) NAVIGATION HORIZONTAL CLEARANCE			0 FT				

BRIDGE MANAGEMENT UNIT

DATA ON EXISTING STRUCTURE

Run Date: 09/26/2013

COUNTY : PITT DIVISION : 2 DISTRICT : 1 STRUCTURE NUMBER : 730050 LENGTH : 53 FEET

ROUTE CARRIED : NC33 FEATURE INTERSECTED : JOHNSON'S MILL RUN

LOCATED : 0.9 MI SE JCT SR1417 BRIDGE NAME : CITY : *GREENVILLE

FUNC. CLASS : 16 SYST.ON : FA SYST.UNDER : NFA ADT & YR : 4700 2012 RAIL TYPE : LT 233 RT 233

BUILT : 1956 BY : BMU PROJ : FED.AID PROJ : DESIGN LOAD : H 10

REHAB : 1974 BY : DBM PROJ : ALIGNMENT : TAN. SKEW : 135 LANES : ON 2 UNDER 0

NAVIGATION : VC 0 FT HC 0 FT HT. CRN. TO BED : 13 FT WATER DEPTH : 1 FT

SUPERSTRUCTURE : RC FLOOR ON TIMBER JOIST BMD-10 MR-MODIFIED

SUBSTRUCTURE : E.BTS&INT.BTS:TIMBER CAPS/TIMBER PILES@VAR.CTS.

SPANS : 1@18';1@17';1@17'9

BEAMS OR GIRDERS : 27 LINES 6X12 TIMBER JOIST @ VAR.CENTERS

FLOOR : 5 RC/3.5 AWS ENCROACHMENT : DECK (OUT TO OUT) : 34.667 FT

CLEAR ROADWAY : 33.25 FT BETWEEN RAILS : 34.083 FT SIDEWALK OR CURB : LT .4165 FT RT .4165 FT

VERT.CL.OVER : 999.9 FT

INV.RTG. : HS-1 OPE.RTG. : HS-1 CONTR.MEMBER : Ext Joist POSTED : SV TTST DATE 11/29/2011

SYSTEM : Primary N.C. Route GREEN LINE ROUTE : Y

UNDER ROUTES AND CLEARANCES

REMARKS :

BRIDGE INSPECTION RECORD AND SUMMARY

INSPECTION TYPE Routine Inspection
 BRIDGE NO. 730050 COUNTY PITT ROUTE NC33 OVER JOHNSON'S MILL RUN
 STRUCTURE TYPE RC FLOOR ON TIMBER JOIST BMD-10 MR-MODIFIED
 ROUTE ORIENTATION W - E SPANS 1@18';1@17';1@17'

EVALUATION CODES: CRITICAL (C, 0 - 3); POOR (P, 4); FAIR (F, 5, 6); GOOD (G, 7 - 9)

INSPECTION ITEM				ITEM 61		
DECK ITEMS			GRADES			
1. WEARING SURFACE			F	45. CHANNEL & CHANNEL PROT.	a. WATERWAY	G
2. DECK NO. OF EA TYPE SPN GRADE RATES SI & A ITEM 58			G		b. ALIGNMENT	G
a. CONCRETE	3				c. SCOUR	G
b. TIMBER					d. SLOPE PROT., RIP-RAP, DIKES, ETC.	
3. RAILING				50. APPROACH ROADWAY CONDITION		
a. CONCRETE				51. APPROACH SLABS		
b. TIMBER				52. PAINT SYSTEM CODE		
c. ALUMINUM				53. UTILITIES		
d. STEEL		G		54. RESPONSE TO LIVE LOAD		
4. CURBS, WHEELGUARDS, PARAPETS, MEDIANS			G	55. ESTIMATED REMAINING LIFE		
5. WALKWAYS (ON OR ATTACHED TO STRUCTURE)				60. REGULATORY SIGN NOTICE ISSUED		
6. DECK EXP JTS. OR DEVICES. NO. OF EACH				61. PROMPT-ACTION NOTICE ISSUED		
a. STEEL PL OR FINGER				62. PRESENTLY POSTED		
b. MISC PREFAB				63. TOT. FIELD INSP TIME (INCLUDE WRITE UP)(MAN HR)		
c. COMPRESSION SEAL				64. TOTAL SNOOPER INSP. TIME (HRS)		
d. STANDARD JOINTS	2	F		65. TOTAL TRAFFIC CONTROL TIME (MAN HRS)		
e. OPEN JOINTS						
7. DECK DEBRIS (INCLUDES EXCESS SAND/GRAVEL)			P	70. SI&A GENERAL CONDITION RATINGS		
SUPER STR. (FM. 1 (90)B TRUSS) ITEM 59				a. DECK	ITEM 58	7
10. LONGITUDINAL BEAMS OR GIRDERS				b. SUPERSTRUCTURE	ITEM 59	5
11. LONGITUDINAL JOIST OR STRINGERS			F	c. SUBSTRUCTURE	ITEM 60	5
12. INT. DIAP'S, X-FRAMES, BRACING & CONN'S				d. CHANNEL & CHANNEL PROT.	ITEM 61	7
13. END DIAP'S, CURTAIN WALLS, & CONN'S			G	71. SI&A FIELD APPRAISAL RATINGS		
14. FLOOR BEAMS AND CONNECTIONS				a. WATERWAY ADAQUACY		7
15. BEARING ASSEMBLIES (INCLUDING MISALIGN)				b. APPR. RDWY. ALIGNMENT		8
16. DRAINAGE SYSTEM (ON STRUCTURE)			P			
17. MOVABLE SPAN MACHINERY				72. FIELD SCOUR EVALUATION		
SUB STR. ITEMS. ITEM 60 (INCLUDE SCOUR)						
35. TIM SUB STR.				USE OF INSP. ACCESSIBILITY EQUIPMENT		
a. ABUT. & INT. BENT CAPS & RISERS		F		SNOOPER (CODE S, 4, OR N)	HRS	NO
b. PILES, POST, SILLS, & BRACING		F		LADDER		YES
c. BULKHEADS, WING'S, & TIE BACKS		F		BUCKET TRUCK		NO
36. CONC SUB STR.				BOAT		NO
a. ABUT. & INT. BENT CAPS				OTHER		NO
b. ABUT. & BENT COL'S BREASTWALLS						
c. ABUT. & INT. BENT PILES						
d. BACKWALLS, WING'S, RETAIN. WALLS						
e. ABUT. & BENT FOOTINGS & SILLS						
37. STEEL SUB STR.				SPECIAL INSPECTION REQUESTED FOR		
a. ABUT. & INT. BENT CAPS & RISERS						
b. PILES, BRACING, AND BULKHEADS						
38. FOUNDATION PILES TYPE MATERIAL				NOTE		
39. SLOPE PROT., RIP-RAP (INCLUDE DRAINAGE)			F			
40. FENDER SYSTEMS				80. INSPECTED BY:	<i>B. G. Smith</i>	
41. DRIFT			F	81. REVIEWED BY:		

**BRIDGE INSPECTION RECORD AND SUMMARY
FOR SHORED STRUCTURES OR STRUCTURES
WITH TEMPORARY REPAIRS MADE TO KEEP
A BRIDGE OPEN**

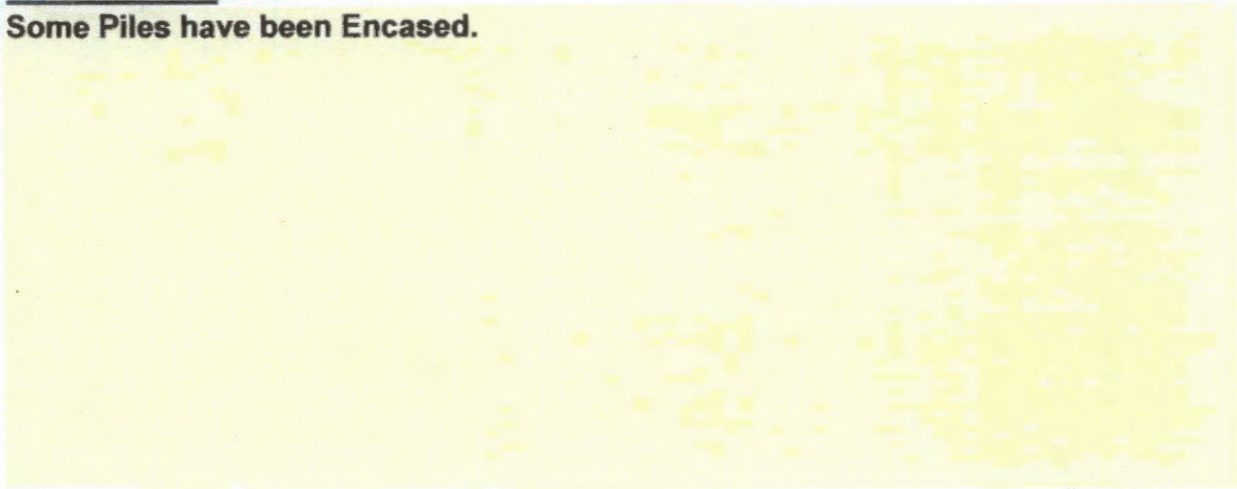
BRIDGE: **730050** COUNTY: **Pitt** DATE: **10/5/2009**

THE FOLLOWING S. I. & A ITEMS ARE TO BE CODED TO REFLECT THE FACT THAT THE STRUCTURE IS SHORED OR HAS HAD TEMPORARY REPAIRS MADE TO KEEP THE BRIDGE OPEN :

	<u>CODE</u>	<u>BY</u>
S I & A ITEM 103 - TEMPORARY STRUCTURE DESIGNATION	T	TSE
S I & A ITEM 59 - SUPERSTRUCTURE		
S I & A ITEM 60 - SUBSTRUCTURE	3	TSE <i>10/5/09</i>
S I & A ITEM 64 OPERATING RATING		
HS		BY:
S I & A ITEM 66 - INVENTORY RATING		
HS		BY:

COMMENTS

Some Piles have been Encased.



Bridge I&A Form 1(82)H		<h1>FIELD INSPECTION REPORT</h1> <p><u>Bridge Inspection & Analysis</u></p>	
State of North Carolina			
Dept. of Transportation			
Division of Highways			
Team Leader BG LITTLETON, JR.			
Assisted By PD IPOCK			
Item No.	Grade		
1	F	(WEARING SURFACE)	
		WEARING SURFACE HAS LONGITUDINAL CRACKS AT SPANS WITH TRANSVERSE CRACKS OVER END BENTS & INTERIOR BENTS. (PHOTO)	
		WEARING SURFACE IS CRACKED & BEGINNING TO SPALL IN THE LT LANE OVER BENT 2.	
2a	G	(RC DECK)	
		FEW AREAS ON UNDERSIDE SPALLED OUT FROM DRILLED HOLES BY GEOTECH.	
6d	F	(STANDARD FILLED JOINTS)	
		COVERED BY AWS WITH CRACKS IN THE LT LANE OVER BTS 1 & 2. SIGNS OF LEAKAGE ON JOIST ENDS BELOW.	
7	P	(DECK DEBRIS)	
		DEBRIS ALONG THE LT CURB WITH BLOCKED DRAINS. SIMILAR ALONG THE RT SIDE. (PHOTO)	
10A	NO	(CURVED GIRDERS)	
		NO CURVED GIRDERS	
11	F	(TIMBER JOIST)	
		J-18 IN SPAN 1 REPLACED PER PM ISSUED LAST CYCLE. (PHOTO)	
		J-22 IN SPAN 1 REPLACED PER PM ISSUED LAST CYCLE. (PHOTO)	
		J-11 IN SP 1 IS DECAYED AT BEARING OVER BT 1 TO 3"W INTO RT FACE X BOTTOM UP 3"H X 6"L. (4" OVER CAP + 2" BACK = 6" LONG) (PHOTO)	
		J-15 IN SP 2 IS DECAYED AT BT 1 BEARING TO 2"W INTO RT FACE X BOTTOM UP 1 1/2"H X 6"L. (4" OVER CAP + 2" OUT = 6" LONG) (PHOTO)	
		J-16 IN SP 2 IS DECAYED AT BEARING OVER BT 1 TO 4"W @ CL X BOTTOM UP 2"H X 8"L. (4" OVER CAP + 4" OUT = 8" LONG) (PHOTO)	
		J-6 IN SP 3 IS SOFT & WET AT THE END OVER BT 2 CAP DUE TO LEAKAGE THRU EXPANSION JOINT. OTHERS ARE SIMILAR OVER INTERIOR BENTS.	
16	P	(DRAINAGE)	
		DRAINS BLOCKED BY DEBRIS.	

Bridge I&A Form 1(82)H		<h1>FIELD INSPECTION REPORT</h1> <p><u>Bridge Inspection & Analysis</u></p>	
State of North Carolina Dept. of Transportation Division of Highways			
Team Leader BG LITTLETON, JR.			
Assisted By PD IPOCK			
Item No.	Grade		
35a	F	<p>(TIMBER CAPS)</p> <p>END BT 1 SUBCAP #1 IS ROLLED BACK TO 1/2" OVER P-1 THRU P-3.</p> <p>END BT 1 SUBCAP #2 IS ROLLED BACK WITH GAP TO 1" AT P-5. SIMILAR OVER P-4. (PHOTO)</p> <p>BT 1 SUBCAP #2 IS DECAYED ON SPAN 2 FACE, RT END, 1" TO 2"W X TOP DOWN 4"H X END IN 6" LONG. (PHOTO)</p> <p>BT 2 SUBCAP #2 IS DECAYED AT THE RT END TO 2"W X 9"H X END IN 10" LONG ON SPAN 2 FACE. (PHOTO)</p> <p>END BT 2 MAIN CAP IS DECAYED AT SPLICE POINT RT OF J-4 TO 3 1/2"W X TOP DOWN 7"H X 10" LONG. (PHOTO)</p>	
35b	F	<p>(TIMBER PILES)</p> <p>P-9 @ BT 2 HAS VERTICAL FACIAL CRACKS & DELAMINATION FROM THE TOP DOWN 43"H X 360 DEGRESS AROUND THE PILE. PILES SOUNDS HOLLOW BEHIND A THICK FACIAL SHELL. (PHOTO)</p> <p>SEVERAL PILES HAVE TEMPORARY REPAIRS. (SEE STRUCTURE DATA FOR DETAILS)</p>	
35c	F	<p>(TIMBER BULKHEADS)</p> <p>THE LT EXTERIOR BULKHEAD HAS BOARD WITH DECAY & FILL LEAKAGE AT END BT 1. NOTE BOARDS REPLACED ABOVE THIS LOCATION.</p> <p>BULKHEAD BOARDS HAVE BEEN REPLACED AT END BT 1 BETWEEN P-2 & 3. SIMILAR BOARDS REPLACED AT RANDOM AT OTHER LOCATIONS.</p> <p>END BT 2 BULKHEAD BOARD #3 BELOW SUBCAP #2 IS DECAYED WITH FILL LEAKAGE ADJACENT TO P-7.</p>	
39	F	<p>SW EXTERIOR BULKHEAD HAS DECAYED BOARDS. (PHOTO)</p> <p>(SLOPE PROTECTION)</p> <p>RIPRAP HAS BEEN PLACED AT END BT 1.</p> <p>SANDBAGS AT END BT 2 WITH DETERIORATION & PORTIONS MISSING.</p>	
41	F	<p>VEGETATION AT SLOPES. (PHOTO)</p> <p>(DRIFT)</p> <p>DRIFT AT SPAN 2. (PHOTO)</p>	
50	F	<p>(APPROACH RDWY)</p> <p>APPROACHES ARE UNEVEN WITH IMPACT AT SPANS. (PHOTO)</p>	

Bridge I&A Form 1(82)H State of North Carolina Dept. of Transportation Division of Highways		FIELD INSPECTION REPORT <u>Bridge Inspeccion & Analysis</u>	
Team Leader BG LITTLETON, JR.			
Assisted By PD IPOCK			
Item No.	Grade		
54	F	(RESPONSE TO LIVE LOAD)	
62	NO	VIBRATION & IMPACT DUE TO UNEVEN APPROACH TRANSITION & IRREGULAR AWS AT SPANS UNDER TTST & DUMP TRUCKS. (PRESENTLY POSTED) NOT POSTED AT TIME OF INSPECTION	

BRIDGE INSPECTOR'S RECOMMENDATION FOR MAINTENANCE REPAIRS

Bridge: 730050

County PITT

Date: 09/11/2013

These Repairs Should Be Made Within Twelve Months From Date Of This Inspection

MMS Code	Description of Function	Unit	Quantity	Remarks	Est. Cost
2816	Asphalt Surface Repair or Replacement	SY	106	APPROACHES UNEVEN.	
2816	Asphalt Surface Repair or Replacement	SY	206	WEARING SURFACE UNEVEN AT ALL SPANS.	
2910	Manual Brush and Tree Control	LF	80	VEGETATION AT SLOPES	
3304	Maintain/Replace Timber Superstructure Components	LF	80	JOIST DECAYED.	
3310	Maintenance/Repair/Replacement of Standard Bridge Expansion Joints	LF	70	SIGNS OF LEAKAGE ON JOIST ENDS.	
3344	Repair / Replace Timber Substructure Components	LF	12	P-9 AT BT 2 DELAMINATED	
3344	Repair / Replace Timber Substructure Components	LF	150	END BENT CAPS ROTATED. SUBCAPS DECAYED AT BENTS 1 & 2. MAIN CAP DECAYED AT END BT 2	
3346	Repair / Maintain Timber Wings & Blkhds	SF	210	BOARDS DECAYED AT END BENTS.	
3366	Drift and Debris Removal	HR	30	DRIFT IN SPAN 2	
3376	Clean/Wash Bridge Decks	SF	106	HEAVY DEBRIS ALONG CURBS WITH BLOCKED DRAINS.	

Key

 Priority Maintenance Item

 Critical Finding Item

 Priority Maintenance Level Not Determined



WEST APPROACH HAS UNEVEN TRANSITION. THE EAST END SIMILAR.



HEAVY VEGETATION ALONG RT CURB WITH BLOCKED DRAINS. SIMILAR ALONG LT SIDE.



VEGETATION AT SW SLOPE. SIMILAR AT ALL CORNERS.



SW EXTERIOR BULKHEAD HAS DECAYED BOARDS.



J-18 & 22 IN SPAN 1 HAVE BEEN REPLACED PER PM ISSUED LAST CYCLE.



END BENT 1 SUBCAP #2 ROTATED WESTWARD WITH GAPS AT PILES. SUBCAP #1 SIMILAR AT END BT 1.



J-11 IN SPAN 1 DECAYED AT BEARING OVER BT 1



J-15 IN SPAN 2 DECAYED AT BEARING OVER BT 1



J-16 IN SPAN 2 DECAYED AT BEARING OVER BT 1



BENT 1 SUBCAP #2 DECAYED



BENT 2 SUBCAP #2 DECAYED



P-9 AT BENT 2 DELAMINATED AND SOUNDS HOLLOW BEHIND THICK FACIAL SHELL.



DRIFT IN SPAN 2

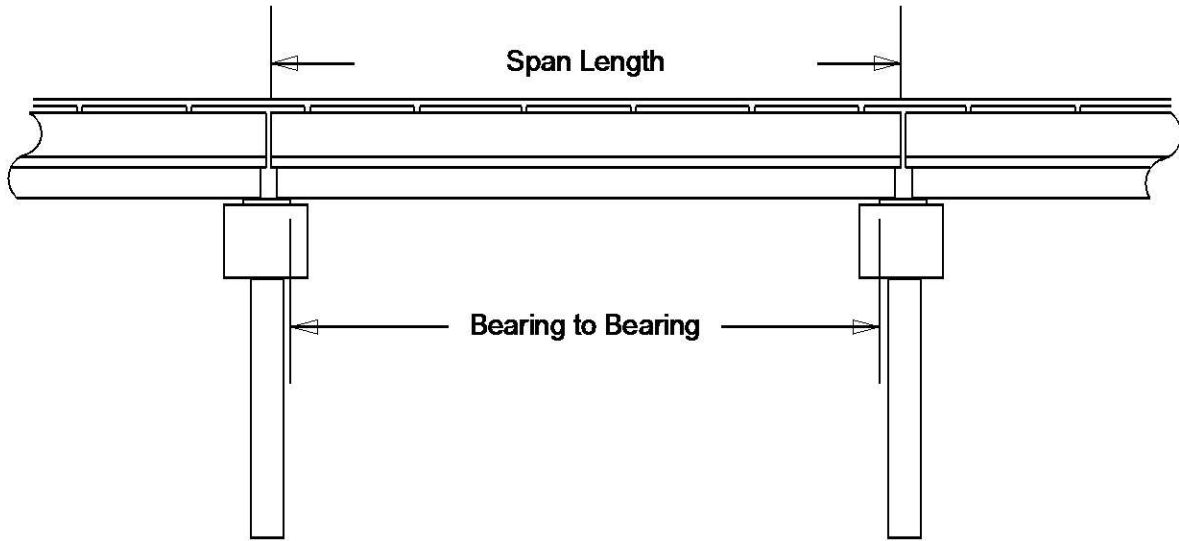


END BENT 2 MAIN CAP DECAYED AT SPLICE POINT #1 UNDER J-4.

Structure Data Worksheet

Spans

County: PITT Structure No: 730050 Date: 09/11/2013 Inspected By: BGL



Span No	Span Length	Bearing to Bearing	Comments
1	18'	17.333'	
2	17'	17'	
3	17.75'	16.833'	

Stream Bed Soundings

(See next sheet for profile sketch)

Bridge No: 730050 County: PITT Date: 09/11/2013 By: BGL

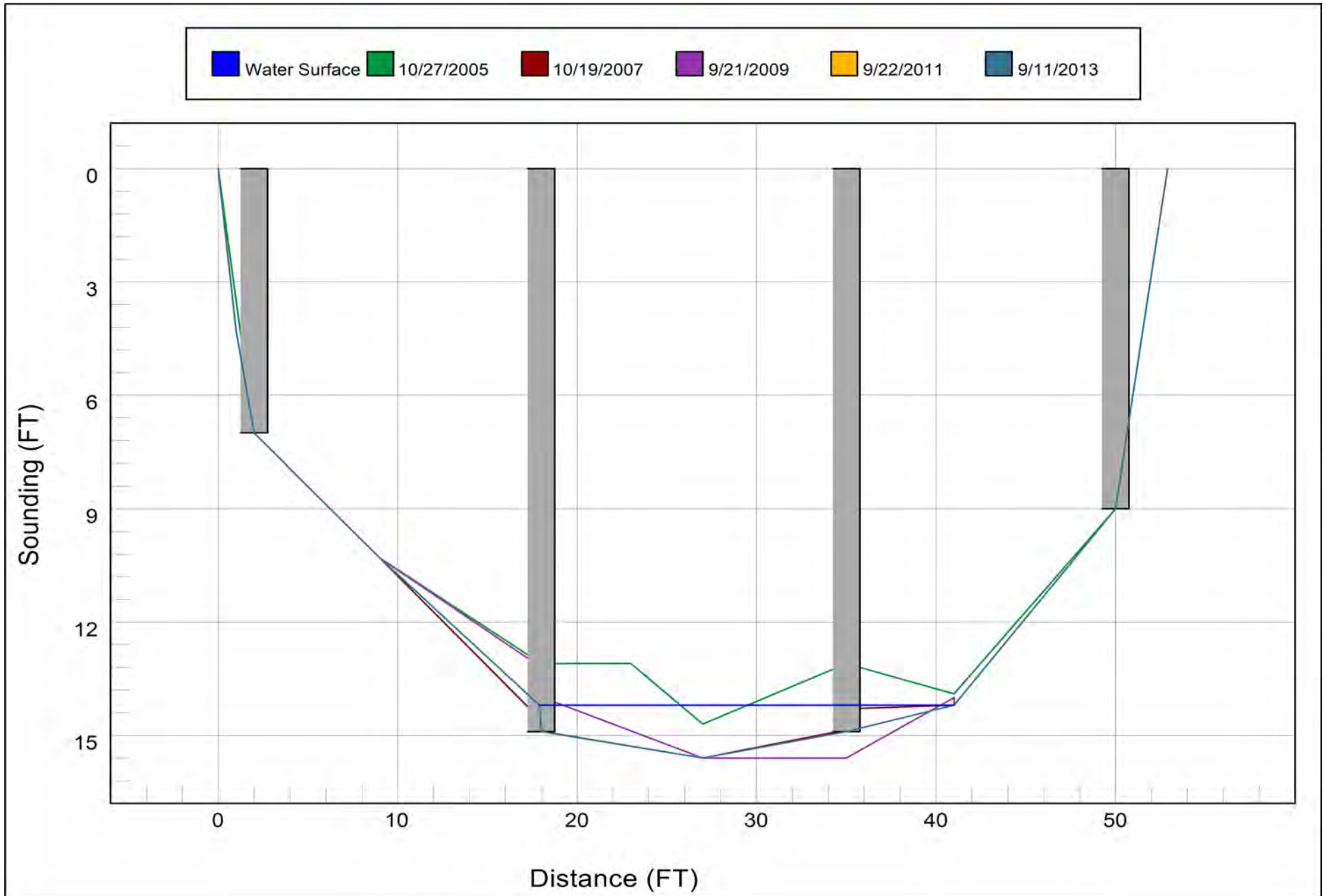
Record sounding from top of rail. Other location if needed: TOP OF RAILS

Distance from Highwater Mark to top of rail: 4.2 Location of Highwater Mark: JOISTS

DOWNSTREAM			UPSTREAM		
Distance (Station) (ft)	Sounding (ft)	Description	Distance (Station) (ft)	Sounding (ft)	Description
0	0		0	0	
1	4.3	TOP OF CAP			
2	7	G/L AT END BENT 1	2	10.7	G/L AT END BENT 1
9	10.3				
17.9	14.2	WSWE/ SOUTH			
18	14.9	BENT 1	18	14.9	BENT 1
27	15.6				
35	14.9	BENT 2	35	15	BENT 2
41	14.2	WSWE			
41	14.2				
50	9	G/L AT END BENT 2	50	9.9	G/L AT END BENT 2
52.9	0		52.9	0	

STREAMBED PROFILE (Downstream)

Top of Rail = 0 FT (Sounding)



Bridge Inspection Field Sketch



Roadway	24ft Wide	2 Paved Lanes	Looking East
Left Shoulder	7ft Wide		7ft Unpaved
Right Shoulder	7ft Wide		7ft Unpaved
Left Guardrail			
Right Guardrail			
Both Approaches Resurfaced 2009			

VERIFIED 9-11-13 BY BGL

Title
730050 APPROACH ROADWAY/ WEST APPROACH

Description
LOOKING EAST.

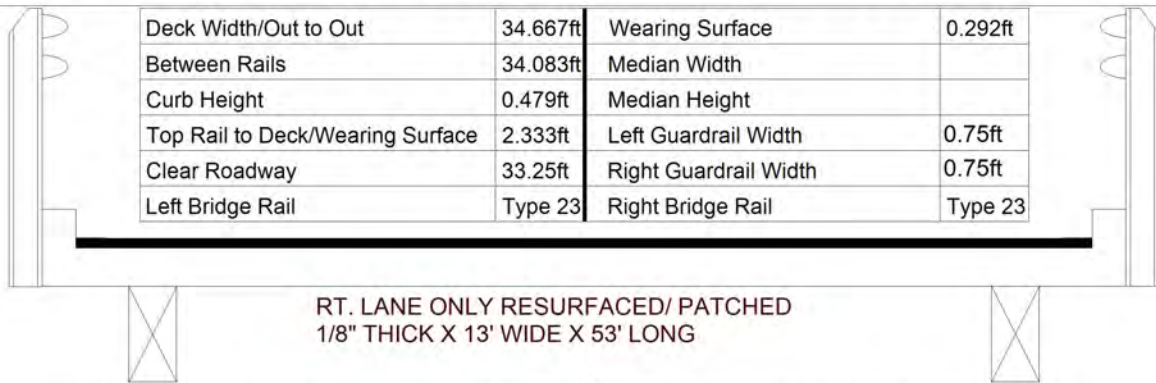
Bridge No: 730050

Drawn By: P.D.IPOCK

Date: 9-22-11

File Name: S0050001184

Bridge Inspection Field Sketch



Measurements for Span #	3	Measurements Similar For Spans 1 & 2	
Deck Thickness	0.479	Left Overhang	0.5
Top of Rail to Bottom of Beam	4.083	Right Overhang	0.5

Beam No	Beam Type	Spacing	Comments
1	Timber (Rectangular)	1.0208ft	NEW IN SPAN 3
2	Timber (Rectangular)	1.0208ft	
3	Timber (Rectangular)	1.0208ft	
4	Timber (Rectangular)	1.375ft	
5	Timber (Rectangular)	1.4375ft	
6	Timber (Rectangular)	1.375ft	
7	Timber (Rectangular)	1.375ft	
8	Timber (Rectangular)	1.375ft	NEW IN SPAN 3
9	Timber (Rectangular)	1.375ft	
10	Timber (Rectangular)	1.375ft	
11	Timber (Rectangular)	1.375ft	
12	Timber (Rectangular)	1.375ft	
13	Timber (Rectangular)	1.375ft	
14	Timber (Rectangular)	1.375ft	NEW IN SPAN 1
15	Timber (Rectangular)	1.375ft	
16	Timber (Rectangular)	1.375ft	
17	Timber (Rectangular)	1.375ft	
18	Timber (Rectangular)	1.375ft	NEW IN SPAN 2 NEW IN SPAN 1
19	Timber (Rectangular)	1.375ft	
20	Timber (Rectangular)	1.375ft	NEW IN SPAN 1
21	Timber (Rectangular)	1.375ft	NEW IN SPAN 2
22	Timber (Rectangular)	1.375ft	NEW IN SPAN 2 NEW IN SPAN 1
23	Timber (Rectangular)	1.2917ft	NEW IN SPANS 2 & 3
24	Timber (Rectangular)	1.208ft	
25	Timber (Rectangular)	1.167ft	
26	Timber (Rectangular)	1ft	
27	Timber (Rectangular)		

UPDATED & VERIFIED 9-11-13 BY BGL

Title
SUPERSTRUCTURE

Description
SECTION THRU-SPAN 3

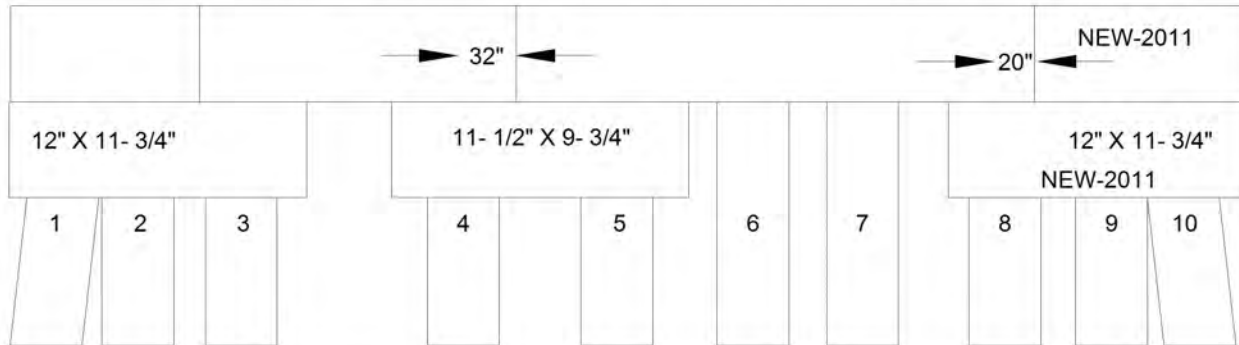
Bridge No: 730050

Drawn By: P.D.IPOCK

Date: 9-22-11

File Name: S0050001185

Bridge Inspection Field Sketch



Abutment #	1		
Cap - Beam Type (Wood or Steel)			
Cap Size	1ft Wide		0.979ft High
Left Overhang	1.25ft	Lt Cap/Beam Overhang	0.667ft
Right Overhang	1.333ft	Rt Cap/Beam Overhang	0.833ft
Timber Sub Cap			
Size	10ft Long	1ft Wide	0.979ft High
Left pile to splice	5.25ft		
Left Overhang	1.333ft		
Right Overhang	1.917ft		
Timber Sub Cap			
Size	10ft Long	0.9583ft Wide	0.8125ft High
Left pile to splice	5.25ft		
Left Overhang	1.25ft		
Right Overhang	1.667ft		
Size	9.583ft Long	1ft Wide	0.979ft High
Left pile to splice	1.667ft		
Left Overhang	1.833ft		
Right Overhang	1.333ft		

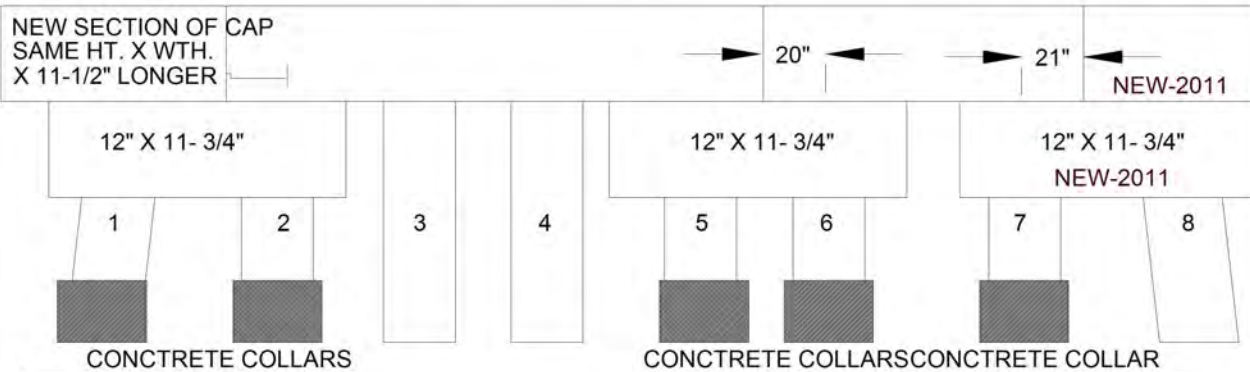
Pile #	Material	Pile Type	Spacing	Length	Width/Diam.	Height	Orientation
1	Wood or Timber	Pile Bent	1.167'		12" Dia.		Batter Pile
2	Wood or Timber	Pile Bent	5.667'		12" Dia.		Vertical
3	Wood or Timber	Pile Bent	6.75'		12" Dia.		Vertical
4	Wood or Timber	Pile Bent	7'		12" Dia.		Vertical
5	Wood or Timber	Pile Bent	6.583'		12" Dia.		Vertical
6	Wood or Timber	Pile Bent	7'		10" Dia.		Vertical
7	Wood or Timber	Pile Bent	6.5'		10" Dia.		Vertical
8	Wood or Timber	Pile Bent	5.667'		10" Dia.		Vertical
9	Wood or Timber	Pile Bent	0.833'		10" Dia.		Vertical
10	Wood or Timber	Pile Bent			10" Dia.		Batter Pile

Title 730050 SUBSTRUCTURE/ EBT.1	Description END BENT 1.
--	-----------------------------------

Bridge No: 730050	Drawn By: P.D.IPOCK	Date: 9-22-11	File Name: S0050001186
-------------------	---------------------	---------------	------------------------

VERIFIED 9-11-13 BY BGL

Bridge Inspection Field Sketch



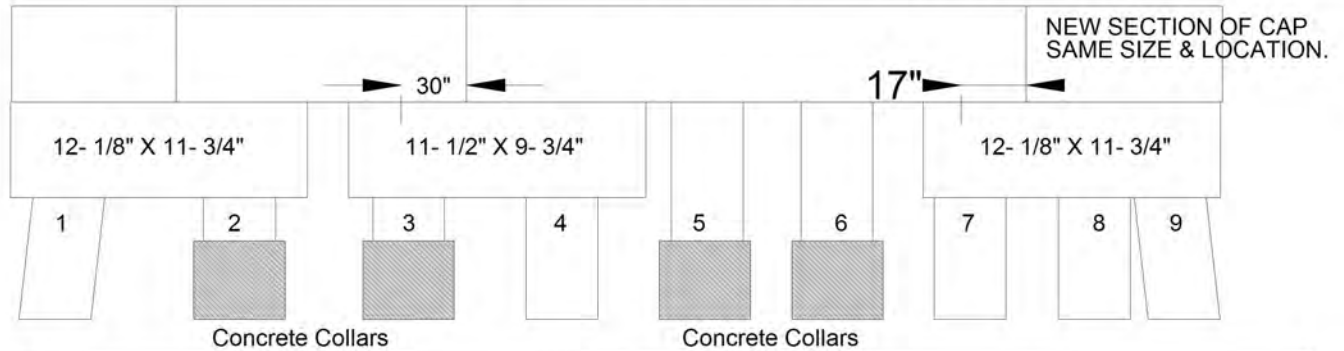
Bent #	1		
Cap - Beam Type (Wood or Steel)			
Cap Size	51.292ft Long	1ft Wide	0.979ft High
Left Overhang	1.5ft	Lt Cap/Beam Overhang	0.583ft
Right Overhang	0.833ft	Rt Cap/Beam Overhang	0.667ft
Timber Sub Cap			
Size	10.417ft Long	1ft Wide	0.979ft High
Left pile to splice	5.5ft		
Left Overhang	1.5ft		
Right Overhang	1.667ft		
Timber Sub Cap			
Size	9.167ft Long	0.9583ft Wide	0.8125ft High
Left pile to splice	4.75ft		
Left Overhang	1.917ft		
Right Overhang	1.833ft		
Timber Sub Cap			
Size	9.75ft Long	1ft Wide	0.979ft High
Left pile to splice	1.75ft		
Left Overhang	1.917ft		
Right Overhang	0.833ft		

VERIFIED 9-11-13 BY BGL

Pile #	Material	Pile Type	Spacing	Length	Width/Diam.	Height	Orientation
1	Wood or Timber	Pile Bent	7.25'		12" Avg. Dia.		Batter Pile
2	Wood or Timber	Pile Bent	6.25'		12" Avg. Dia.		Vertical
3	Wood or Timber	Pile Bent	7'		12" Avg. Dia.		Vertical
4	Wood or Timber	Pile Bent	6.917'		12" Avg. Dia.		Vertical
5	Wood or Timber	Pile Bent	6.417'		12" Avg. Dia.		Vertical
6	Wood or Timber	Pile Bent	7.167'		12" Avg. Dia.		Vertical
7	Wood or Timber	Pile Bent	7'		12" Avg. Dia.		Vertical
8	Wood or Timber	Pile Bent			12" Avg. Dia.		Batter Pile

Title 730050 SUBSTRUCTURE/ BT.1	Description BENT 1.
Bridge No: 730050	Drawn By: P.D.IPOCK
Date: 9-22-11	File Name: S0050001188

Bridge Inspection Field Sketch



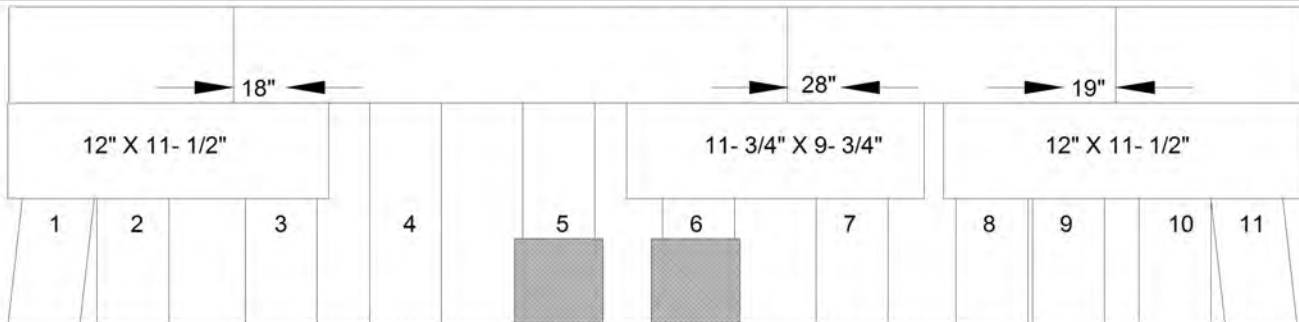
Bent #	2	PILES 2, 3 AND 5 ARE ENCASED.	
Cap - Beam Type (Wood or Steel)			
Cap Size	51ft Long	1.01ft Wide	0.979ft High
Left Overhang	1.333ft	Lt Cap/Beam Overhang	0.583ft
Right Overhang	1.5ft	Rt Cap/Beam Overhang	1.417ft
Timber Sub Cap			
Size	10.083ft Long	1.01ft Wide	0.948ft High
Left pile to splice	5.167ft		
Left Overhang	1.333ft		
Right Overhang	1.75ft		
Timber Sub Cap			
Size	10.084ft Long	0.9583ft Wide	0.8125ft High
Left pile to splice	2.5ft		
Left Overhang	1.667ft		
Right Overhang	1.5ft		
Timber Sub Cap			
Size	10.583ft Long	1.01ft Wide	0.948ft High
Left pile to splice	1.417ft		
Left Overhang	1.75ft		
Right Overhang	1.5ft		

VERIFIED 9-11-13 BY BGL

Pile #	Material	Pile Type	Spacing	Length	Width/Diam.	Height	Orientation
1	Wood or Timber	Pile Bent	7'		12" Avg. Dia.		Batter Pile
2	Wood or Timber	Pile Bent	7.167'		12" Avg. Dia.		Vertical
3	Wood or Timber	Pile Bent	6.917'		12" Avg. Dia.		Vertical
4	Wood or Timber	Pile Bent	6.333'		12" Avg. Dia.		Vertical
5	Wood or Timber	Pile Bent	7'		12" Avg. Dia.		Vertical
6	Wood or Timber	Pile Bent	6.417'		12" Avg. Dia.		Vertical
7	Wood or Timber	Pile Bent	6'		12" Avg. Dia.		Vertical
8	Wood or Timber	Pile Bent	1.333'		12" Avg. Dia.		Vertical
9	Wood or Timber	Pile Bent			12" Avg. Dia.		Batter Pile

Title 730050 SUBSTRUCTURE/ BT.2	Description BENT 2.
Bridge No: 730050	Drawn By: P.D.IPOCK
Date: 9-22-11	File Name: S0050001190

Bridge Inspection Field Sketch



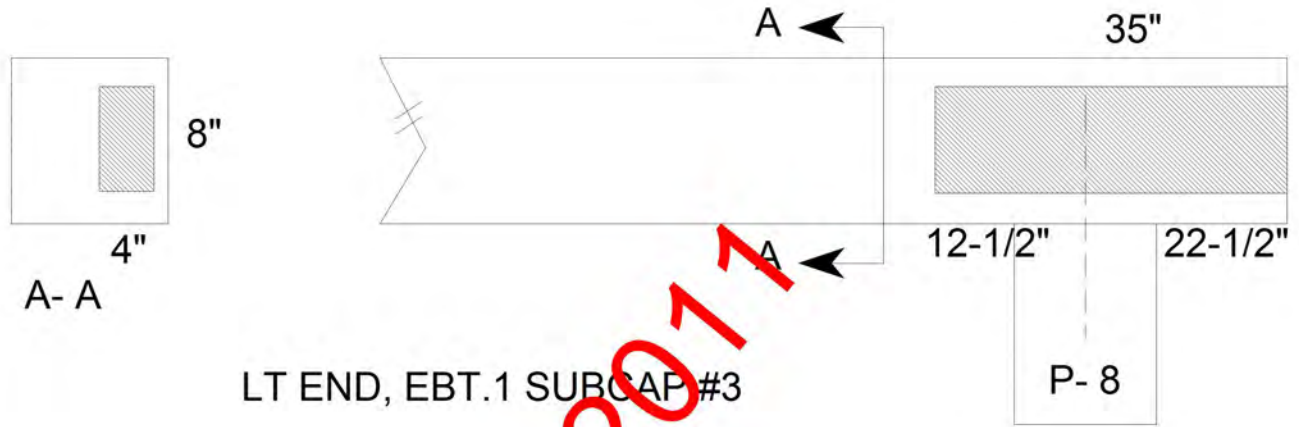
Abutment #	2	PILES 5 AND 6 ENCASED.	
Cap - Beam Type (Wood or Steel)			
Cap Size	51.419ft Long	1ft Wide	0.953ft High
Left Overhang	1.167ft	Lt Cap/Beam Overhang	1.417ft
Right Overhang	1.167ft	Rt Cap/Beam Overhang	0.417ft
Timber Sub Cap			
Size	10.084ft Long	0.9583ft Wide	0.9583ft High
Left pile to splice	5.417ft		
Left Overhang	1.167ft		
Right Overhang	2ft		
Timber Sub Cap			
Size	10.167ft Long	0.9792ft Wide	0.8125ft High
Left pile to splice	4.334ft		
Left Overhang	1.75ft		
Right Overhang	1.75ft		
Timber Sub Cap			
Size	10.5ft Long	1ft Wide	0.958ft High
Left pile to splice	3.166ft		
Left Overhang	0.583ft		
Right Overhang	1.167ft		

Pile #	Material	Pile Type	Spacing	Length	Width/Diam.	Height	Orientation
1	Wood or Timber	Pile Bent	1.25'		12" Avg. Dia.		Batter Pile
2	Wood or Timber	Pile Bent	5.667'		12" Avg. Dia.		Vertical
3	Wood or Timber	Pile Bent	7'		12" Avg. Dia.		Vertical
4	Wood or Timber	Pile Bent	6.667'		12" Avg. Dia.		Vertical
5	Wood or Timber	Pile Bent	6.667'		12" Avg. Dia.		Vertical
6	Wood or Timber	Pile Bent	6.667'		12" Avg. Dia.		Vertical
7	Wood or Timber	Pile Bent	6.5'		12" Avg. Dia.		Vertical
8	Wood or Timber	Pile Bent	1.583'		12" Avg. Dia.		Vertical
9	Wood or Timber	Pile Bent	6'		12" Avg. Dia.		Vertical
10	Wood or Timber	Pile Bent	1.167'		12" Avg. Dia.		Vertical
11	Wood or Timber	Pile Bent			12" Avg. Dia.		Batter Pile

Title 730050 SUBSTRUCTURE/ EBT.2	Description END BENT 2.
Bridge No: 730050	Drawn By: P.D.IPOCK
Date: 9-22-11	File Name: S0050001192

VERIFIED 9-11-13 BY BGL

Bridge Inspection Field Sketch



DRAWING IS NOT TO SCALE

Title

PM- 2009, EBT.1 SUBCAP & JOIST 8 SPAN 3

Description

DECAYED CAP & JOIST.

Bridge No: 730050

Drawn By: PD IPOCK

Date: 9/21/2009

File Name: T0050002795



LOOKING EAST, NC 33



LOOKING EAST



LOOKING UPSTREAM-NORTH



LOOKING DOWNSTREAM-SOUTH



LOOKING WEST, NC 33



SOUTH SIDE, LOOKING EAST



END BT 1



SPAN 1 SIDE OF BT 1



SPAN 2 UNDERSIDE. (ALL SPANS SIMILAR)



END BT 2



SPAN 2 SIDE OF BENT 2



NORTH SIDE, LOOKING SOUTH



NC DEPARTMENT OF TRANSPORTATION
 DIVISION OF HIGHWAYS
 BRIDGE MANAGEMENT UNIT

ATTENTION

REBUILT STRUCTURE W/NEW DATA

BRIDGE INSPECTION REPORT

INSPECTION TYPE: Routine Inspection

COUNTY PITT BRIDGE NUMBER 730095 INSPECTION CYCLE 2 YRS
 ROUTE SR1401 ACROSS JOHNSON'S MILL RUN M.P. 0

LOCATION 0.7 MI W JCT. SR1420

PPC GIRDERS

SUPERSTRUCTURE **STEEL PLANK FLOOR ON I-BEAMS**

INTEGRAL EBTS; ON STL.H-PILES & INT BT. RC CAP ON STL. H-PILES

SUBSTRUCTURE **E.BTS&BT:TIMBER CAP ON TIMBER PILES@VAR.CTS.**

1@40', 1@65'

SPANS **1@35'2;1@35'1**

LONGITUDE 77° 24' 24.00"

LATITUDE 35° 38' 49.30"

INSPECTION DATE 10/29/2013

PRESENT CONDITION GOOD

PRESENT POSTING **NOT POSTED**

PROPOSED POSTING

OTHER SIGNS PRESENT NONE



LOOKING EAST

Fracture Critical	<u>No</u>
Temporary Shoring	<u>No</u>
Scour Critical	<u>No</u>
Scour POA	<u>No</u>

SIGN NOTICE ISSUED FOR	NUMBERED REQUIRED
<u>No</u> WEIGHT LIMIT	<u> </u>
<u>No</u> DELINEATORS	<u> </u>
<u>No</u> NARROW BRIDGE	<u> </u>
<u>No</u> ONE LANE BRIDGE	<u> </u>
<u>No</u> LOW CLEARANCE	<u> </u>

NATIONAL BRIDGE INVENTORY----- STRUCTURE INVENTORY AND APPRAISAL

Run Date: 11/06/2013

IDENTIFICATION

(1) STATE NAME -NORTH CAROLINA BRIDGE **730095**
 (8) STRUCTURE NUMBER(FEDERAL) 000000001470095
 (5) INVENTORY ROUTE (ON/UNDER) - ON 31014010
 (2) STATE HIGHWAY DEPARTMENT DISTRICT 1
 (3) COUNTY CODE 147 (4) PLACE CODE 28080
 (6) FEATURE INTERSECTED - JOHNSON'S MILL RUN
 (7) FACILITY CARRIED SR1401
 (9) LOCATION 0.7 MI W JCT. SR1420
 (11)MILEPOINT 0
 (16)LAT 35° 38' 49.30" (17)LONG 77° 24' 24.00"
 (98)BORDER BRIDGE STATE CODE PCT SHARE
 (99)BORDER BRIDGE STRUCTURE NO

SUFFICIENCY RATING = 90.24
 STATUS = Functionally Obsolete

CLASSIFICATION **CODE**

(112)NBIS BRIDGE SYSTEM - YES
 (104)HIGHWAY SYSTEM Is not on NHS 0
 (26) FUNCTIONAL CLASS - Local 19
 (100)STRAHNET HIGHWAY - Not a STRAHNET Route 0
 (101)PARALLEL STRUCTURE - No Parallel Structure N
 (102)DIRECTION OF TRAFFIC - 2-way Traffic 2
 (103)TEMPORARY STRUCTURE - Temporary Structure/Conditions T
 (110)DESIGNATED NATIONAL NETWORK - Not on the National Network 0
 (20) TOLL On Free Road 3
 (31) MAINTAIN - State Highway Agency 01
 (22) OWNER - State Highway Agency 01
 (37) HISTORICAL SIGNIFICANCE - Not Eligible 5

STRUCTURE TYPE AND MATERIAL

(43) STRUCTURE TYPE MAIN: Prestressed Concrete Continuous
 TYPE - Stringer Multibeam or Girder CODE 602
 (44) STRUCTURE TYPE APPR :
 TYPE - CODE 000
 (45) NUMBER OF SPANS IN MAIN UNIT 2
 (46) NUMBER OF APPROACH SPANS
 (107)DECK STRUCTURE TYPE - 1 CODE
 (108)WEARING SURFACE / PROTECTIVE SYSTEM :
 (A) TYPE OF WEARING SURFACE - CODE
 (B) TYPE OF MEMBRANE - CODE
 (C) TYPE OF DECK PROTECTION - CODE

CONDITION **CODE**

(58) DECK 8
 (59) SUPERSTRUCTURE 8
 (60) SUBSTRUCTURE 8
 (61) CHANNEL & CHANNEL PROTECTION 7
 (62) CULVERTS N

LOAD RATING AND POSTING **CODE**

(31) DESIGN LOAD HL 93 A
 (63) OPERATING RATING METHOD - Load and Resistance Factor 3
 (64) OPERATING RATING - HS-54 97
 (65) INVENTORY RATING METHOD - Load and Resistance Factor 3
 (66) INVENTORY RATING - HS-28 50
 (70) BRIDGE POSTING - No Posting Required 5
 (41) STRUCTURE OPEN, POSTED ,OR CLOSED A
 DESCRIPTION - Open, No Restriction

AGE AND SERVICE

(27) YEAR BUILT 2013
 (106)YEAR RECONSTRUCTED
 (42) TYPE OF SERVICE : ON - Highway
 UNDER - Waterway CODE 15
 (28) LANES: ON STRUCTURE 2 UNDER STRUCTURE 0
 (29) AVERAGE DAILY TRAFFIC 6100
 (30) YEAR OF ADT 2012 (109) TRUCK ADT PCT 6%
 (19) BYPASS OR DETOUR LENGTH 12 MI

APPRAISAL **CODE**

(67) STRUCTURAL EVALUATION 8
 (68) DECK GEOMETRY 3
 (69) UNDERCLEARANCES,VERTI & HORIZ N
 (71) WATERWAY ADEQUACY 7
 (72) APPROACH ROADWAY ALIGNMENT 6
 (36) TRAFFIC SAFETY FEATURES 1111
 (113)SCOUR CRITICAL BRIDGES 8

GEOMETRIC DATA

(48) LENGTH OF MAXIMUM SPAN 62 FT
 (49) STRUCTURE LENGTH 105 FT
 (50)CURB OR SIDEWALK: LEFT 0 FT RIGHT 0 FT
 (51) BRIDGE ROADWAY WIDTH CURB TO CURB 32 FT
 (52) DECK WIDTH OUT TO OUT 34.583 FT
 (32) APPROACH ROADWAY WIDTH (W/SHOULDERS) 33 FT
 (33) BRIDGE MEDIAN - No Median CODE 0
 (34) SKEW 0° (35) STRUCTURE FLARED 0
 (10) INVENTORY ROUTE MIN VERT CLEAR 999.9 FT
 (47) INVENTORY ROUTE TOTAL HORIZ CLEAR 32 FT
 (53) MIN VERT CLEAR OVER BRIDGE RDWY 999.9 FT
 (54) MIN VERT UNDERCLEAR REF Not a Highway or Railroad 0 FT
 (55) MIN LAT UNDERCLEAR RT REF Not a Highway or Railroad 000 FT
 (56) MIN LAT UNDERCLEAR LT REF - 000 FT

PROPOSED IMPROVEMENTS

(75) TYPE OF WORK - CODE
 (76) LENGTH OF STRUCTURE IMPROVEMENT
 (94) BRIDGE IMPROVEMENT COST
 (95) ROADWAY IMPROVEMENT COST
 (96) TOTAL PROJECT COST
 (97) YEAR OF IMPROVEMENT COST ESTIMATE
 (114)FUTURE ADT 12200 (115) YEAR FUTURE ADT 2025

INSPECTIONS

(90) INSPECTION DATE 10/29/2013
 (92) CRITICAL FEATURE INSPECTION : (93) CFI DATE
 A) FRACTURE CRIT DETAIL - NO A)
 B) UNDERWATER INSP - NO B)
 C) OTHER SPECIAL INSP NO C)
 SCOUR

NAVIGATION DATA

(38) NAVIGATION CONTROL - No Navigational Control CODE 0
 (111)PIER PROTECTION - CODE
 (39) NAVIGATION VERTICAL CLEARANCE 0
 (116)VERT - LIFT BRIDGE NAV MIN VERT CLEAR FT
 (40) NAVIGATION HORIZONTAL CLEARANCE 0 FT

BRIDGE MANAGEMENT UNIT

DATA ON EXISTING STRUCTURE

Run Date: 11/06/2013

COUNTY : PITT DIVISION : 2 DISTRICT : 1 STRUCTURE NUMBER : 730095 LENGTH : 105 FEET

ROUTE CARRIED : SR1401 FEATURE INTERSECTED : JOHNSON'S MILL RUN

LOCATED : 0.7 MI W JCT. SR1420 BRIDGE NAME : CITY : *GREENVILLE

FUNC. CLASS : 19 SYST.ON : NFA SYST.UNDER : NFA ADT & YR : 6100 2012 RAIL TYPE : LT 749 RT 749

BUILT : 2013 BY : DOH PROJ : 38557.3.1 FED.AID PROJ : BRZ-1401(4) DESIGN LOAD : HL 93

REHAB : BY : PROJ : ALIGNMENT : TAN SKEW : 90 LANES : ON 2 UNDER 0

NAVIGATION : VC 0 FT HC 0 FT HT. CRN. TO BED : 12 FT WATER DEPTH : 1 FT

SUPERSTRUCTURE : REINFORCED CONCRETE FLOOR ON CONT. PPC GIRDERS

SUBSTRUCTURE : E.BTS&BT:RC CAPS ON H-PILES

SPANS : 1@40';1@65' CONT.

BEAMS OR GIRDERS : 5 LNS 36" CONT. PPC GIRDERS

FLOOR : 8.25RC/NO AWS ENCROACHMENT : DECK (OUT TO OUT) : 34.583 FT

CLEAR ROADWAY : 32 FT BETWEEN RAILS : 32 FT SIDEWALK OR CURB : LT 0 FT RT 0 FT

VERT.CL.OVER : 999.9 FT

INV.RTG. : HS-28 OPE.RTG. : HS-54 CONTR.MEMBER : POSTED : SV TTST DATE 11/06/2013

SYSTEM : Secondary S.R. Route GREEN LINE ROUTE : N

UNDER ROUTES AND CLEARANCES

REMARKS :

BRIDGE INSPECTION RECORD AND SUMMARY

INSPECTION TYPE Routine Inspection
 BRIDGE NO. 730095 COUNTY PITT ROUTE SR1401 OVER JOHNSON'S MILL RUN
 STRUCTURE TYPE STEEL PLANK FLOOR ON I-BEAMS
 ROUTE ORIENTATION W - E SPANS 1@35'2;1@35'1

EVALUATION CODES: CRITICAL (C, 0 - 3); POOR (P, 4); FAIR (F, 5, 6); GOOD (G, 7 - 9)

INSPECTION ITEM		ITEM 61				
DECK ITEMS		GRADES				
1. WEARING SURFACE						
2. DECK NO. OF EA TYPE SPN GRADE RATES SI & A ITEM 58	a. CONCRETE	2	G	45. CHANNEL & CHANNEL PROT.		
	b. TIMBER			a. WATERWAY		
	c. STEEL PLANK			b. ALIGNMENT		
	d. OPEN GRID			c. SCOUR		
3. RAILING				d. SLOPE PROT., RIP-RAP, DIKES, ETC.		
a. CONCRETE		G	50. APPROACH ROADWAY CONDITION	G		
b. TIMBER			51. APPROACH SLABS	G		
c. ALUMINUM		G	52. PAINT SYSTEM	CODE		
d. STEEL			53. UTILITIES			
4. CURBS, WHEELGUARDS, PARAPETS, MEDIANS			G	54. RESPONSE TO LIVE LOAD	G	
5. WALKWAYS (ON OR ATTACHED TO STRUCTURE)				55. ESTIMATED REMAINING LIFE	75	
6. DECK EXP JTS. OR DEVICES. NO. OF EACH	a. STEEL PL OR FINGER			60. REGULATORY SIGN NOTICE ISSUED	NO	
	b. MISC PREFAB			61. PROMPT-ACTION NOTICE ISSUED	NO	
	c. COMPRESSION SEAL			62. PRESENTLY POSTED	NO	
	d. STANDARD JOINTS			63. TOT. FIELD INSP TIME (INCLUDE WRITE UP)(MAN HR)	12	
	e. OPEN JOINTS			64. TOTAL SNOOPER INSP. TIME (HRS)		
7. DECK DEBRIS (INCLUDES EXCESS SAND/GRAVEL)			G	65. TOTAL TRAFFIC CONTROL TIME (MAN HRS)		
SUPER STR. (FM. 1 (90)B TRUSS) ITEM 59		70. SI&A GENERAL CONDITION RATINGS				
10. LONGITUDINAL BEAMS OR GIRDERS			G	a. DECK	ITEM 58	8
11. LONGITUDINAL JOIST OR STRINGERS				b. SUPERSTRUCTURE	ITEM 59	8
12. INT. DIAP'S, X-FRAMES, BRACING & CONN'S			G	c. SUBSTRUCTURE	ITEM 60	8
13. END DIAP'S, CURTAIN WALLS, & CONN'S			G	d. CHANNEL & CHANNEL PROT.	ITEM 61	7
14. FLOOR BEAMS AND CONNECTIONS		71. SI&A FIELD APPRAISAL RATINGS				
15. BEARING ASSEMBLIES (INCLUDING MISALIGN)			G	a. WATERWAY ADAQUACY		7
16. DRAINAGE SYSTEM (ON STRUCTURE)			G	b. APPR. RDWY. ALIGNMENT		6
17. MOVABLE SPAN MACHINERY				72. FIELD SCOUR EVALUATION		G
SUB STR. ITEMS. ITEM 60 (INCLUDE SCOUR)		USE OF INSP. ACCESSIBILITY EQUIPMENT				
35. TIM SUB STR.	a. ABUT. & INT. BENT CAPS & RISERS			SNOOPER (CODE S, 4, OR N)	HRS	NO
	b. PILES, POST, SILLS, & BRACING			LADDER		NO
	c. BULKHEADS, WING'S, & TIE BACKS			BUCKET TRUCK		NO
36. CONC SUB STR.	a. ABUT. & INT. BENT CAPS		G	BOAT		NO
	b. ABUT. & BENT COL'S BREASTWALLS			OTHER		NO
	c. ABUT. & INT. BENT PILES			SPECIAL INSPECTION REQUESTED FOR		
	d. BACKWALLS, WING'S, RETAIN. WALLS		G	NOTE		
	e. ABUT. & BENT FOOTINGS & SILLS			80. INSPECTED BY:		
37. STEEL SUB STR.	a. ABUT. & INT. BENT CAPS & RISERS			81. REVIEWED BY:		
	b. PILES, BRACING, AND BULKHEADS		G	<i>B. C. Smith</i>		
38. FOUNDATION PILES TYPE MATERIAL				80. INSPECTED BY:		
39. SLOPE PROT., RIP-RAP (INCLUDE DRAINAGE)			G	81. REVIEWED BY:		
40. FENDER SYSTEMS				<i>B. C. Smith</i>		
41. DRIFT			G	<i>B. C. Smith</i>		

Bridge I&A Form 1(82)H		FIELD INSPECTION REPORT <u>Bridge Inspection & Analysis</u>	
State of North Carolina Dept. of Transportation Division of Highways			
Team Leader BG LITTLETON, JR.			
Assisted By PD IPOCK			
Item No.	Grade		
2a	G	(CONC. DECK) NO NOTEWORTHY PROBLEMS.	
3a	G	(CONC. END POSTS) NO NOTEWORTHY PROBLEMS.	
3c	G	(ALUMINUM RAILS) ALUMINUM RAILS ON A CONC. PARAPET WITH NO NOTEWORTHY PROBLEMS. (PHOTO)	
4	G	(CONC. PARAPETS) GRAFFITI ALONG THE RIGHT PARAPET. (PHOTO)	
7	G	(DECK DEBRIS) NO NOTEWORTHY PROBLEMS.	
10	G	(PPC GIRDERS) CONTINUOUS GIRDERS WITH NO NOTEWORTHY PROBLEMS.	
10A	NO	(CG) NO CURVED GIRDERS.	
12	G	(INT. DIAPHRAGMS) GALV. STL. INT. DIAPHRAGMS, BOLTED TO THE GIRDERS WITH NO NOTEWORTHY PROBLEMS.	
13	G	(END DIAPHRAGMS) CONC. END DIAPHRAGM WITH NO NOTEWORTHY PROBLEMS.	
15	G	(BEARING ASSEMBLIES) NO NOTEWORTHY PROBLEMS.	
16	G	(DRAINAGE SYSTEM) NO NOTEWORTHY PROBLEMS.	
36a	G	(CONC. CAPS) NO NOTEWORTHY PROBLEMS. INTEGRAL EBTS.	
36d	G	(CONC. RETAINING WALL) NO NOTEWORTHY PROBLEMS.	

Bridge I&A Form 1(82)H		FIELD INSPECTION REPORT <u>Bridge Inspection & Analysis</u>	
State of North Carolina Dept. of Transportation Division of Highways			
Team Leader BG LITTLETON, JR.			
Assisted By PD IPOCK			
Item No.	Grade		
37b	G	(STL. PILES) NO NOTEWORTHY PROBLEMS @ BT.1.	
39	G	PILES NOT VISIBLE @ THE EBTS. (SLOPES) RIP RAP @ THE EBTS.	
41	G	(DRIFT) NO NOTEWORTHY PROBLEMS.	
45a	G	(WATERWAY) NO NOTEWORTHY PROBLEMS.	
45b	F	(CHANNEL ALIGNMENT) STREAM ENTERS @ A SKEW.	
45c	G	(SCOUR) NO NOTEWORTHY PROBLEMS.	
50	G	(APPROACH ROADWAY) NO NOTEWORTHY PROBLEMS.	
51	G	(APPROACH SLABS) NO NOTEWORTHY PROBLEMS.	
62	NO	(PRESENT POSTING) NOT POSTED.	

BRIDGE INSPECTOR'S RECOMMENDATION FOR MAINTENANCE REPAIRS

Bridge: 730095

County PITT

Date: 10/29/2013

These Repairs Should Be Made Within Twelve Months From Date Of This Inspection

MMS Code	Description of Function	Unit	Quantity	Remarks	Est. Cost
3318	Maint to Concrete Handrail	LF	40	GRAFFITI ALONG THE RIGHT PARAPET.	

Key



Priority Maintenance Item



Critical Finding Item



Priority Maintenance Level Not Determined



GRAFFITI ALONG THE RIGHT PARAPET.

Structure Data Worksheet

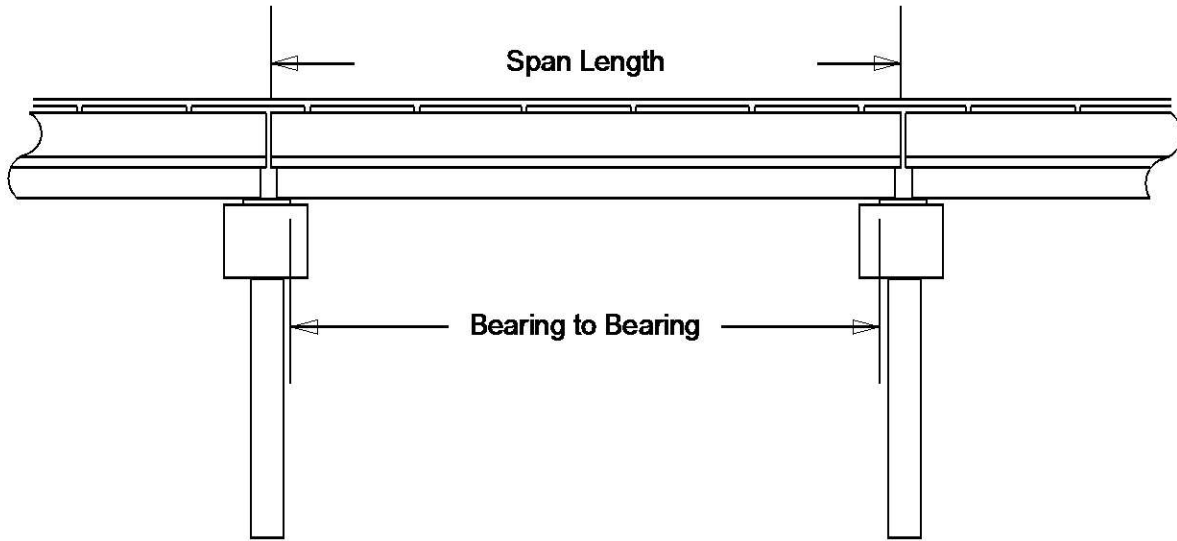
Spans

County: PITT

Structure No: 730095

Date: 10/29/2013

Inspected By: BGL



Span No	Span Length	Bearing to Bearing	Comments
1	40'	37.083'	
2	65'	62.083'	

Stream Bed Soundings

(See next sheet for profile sketch)

Bridge No: 730095 County: PITT Date: 10/29/2013 By: BGL

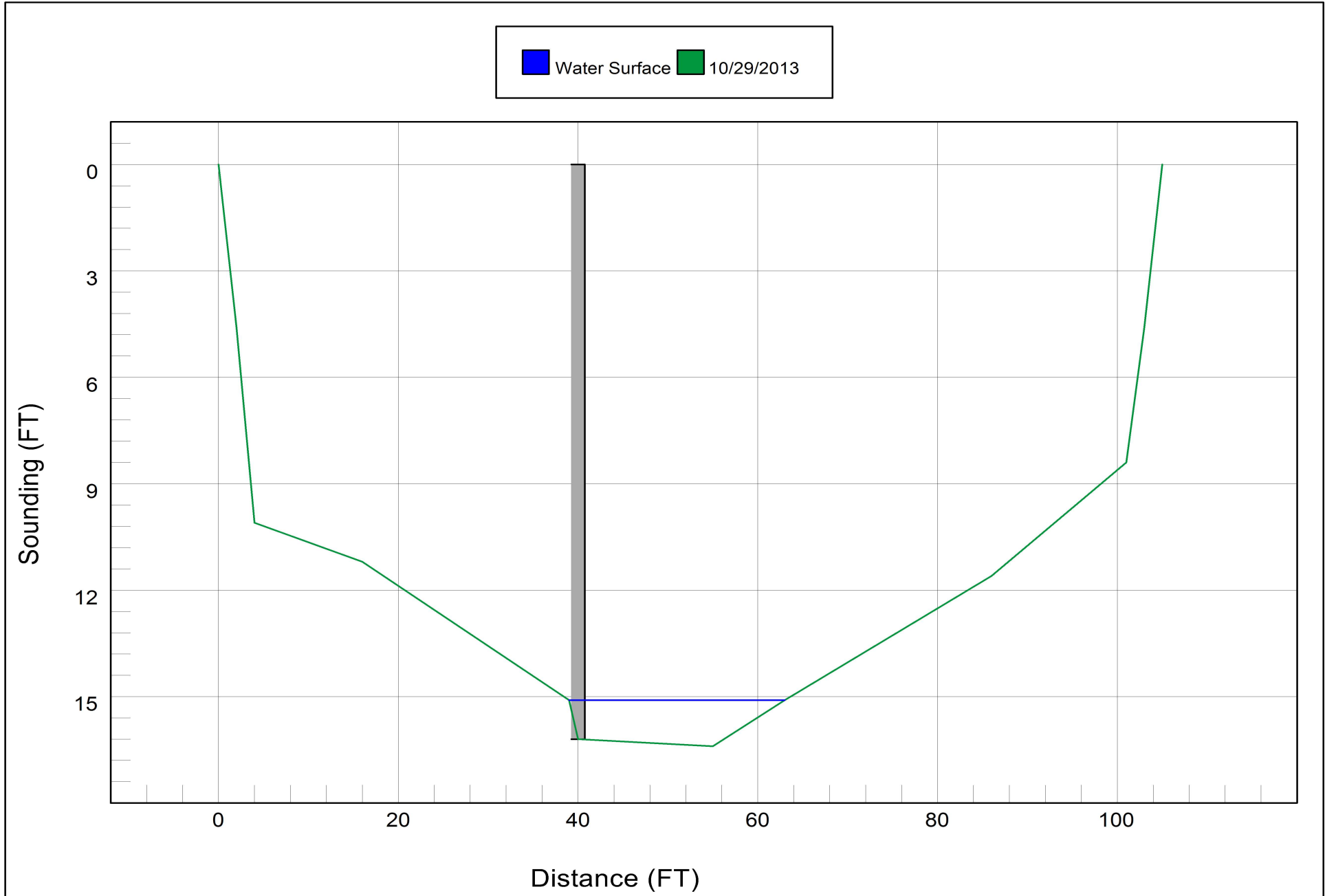
Record sounding from top of rail. Other location if needed: RAILS.

Distance from Highwater Mark to top of rail: 15.1 Location of Highwater Mark: BT.1 PILES

DOWNSTREAM			UPSTREAM		
Distance (Station) (ft)	Sounding (ft)	Description	Distance (Station) (ft)	Sounding (ft)	Description
0	0		0	0	
2	4.6	RETAINING WALL			
4	10.1	TOP OF RIP RAP			
16	11.2	TOE OF RIP RAP	16	11.8	TOE
39	15.1	WSWE/ SOUTH			
40	16.2	BENT 1	40	14.3	BENT 1
55	16.4	BED			
63	15.1	WSWE			
86	11.6	TOE OF RIP RAP	86	11.7	TOE
101	8.4	TOP OF RIP RAP			
103	4.6	RETAINING WALL			
105	0		105	0	

STREAMBED PROFILE (Downstream)

Top of Rail = 0 FT (Sounding)



Bridge Inspection Field Sketch



Roadway	24ft Wide	2 Paved Lanes	Looking East
Left Shoulder	4.5ft Wide	4.5ft Paved	
Right Shoulder	4.5ft Wide	4.5ft Paved	
Left Guardrail	4.5ft from road		
Right Guardrail	4.5ft from road		

MEASURED @ THE END OF THE WEST SHOULDER BERM GUTTERS.

Title

730095 W. APPROACH

Description

W. APPROACH. LOOKING EAST.

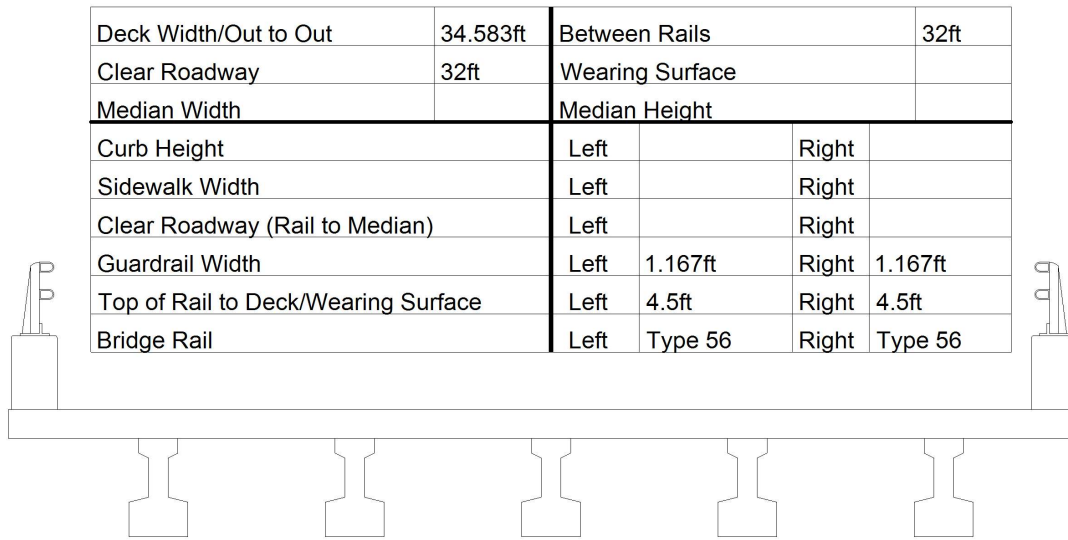
Bridge No: 730095

Drawn By: PD IPOCK

Date: 10/29/2013

File Name: S0050003294

Bridge Inspection Field Sketch



Measurements for Span #	1		
Deck Thickness	0.958	Left Overhang	3.125
Top of Rail to Bottom of Beam	8.458	Right Overhang	3.125

Beam Number	Beam Type	Spacing	Comments
1	PPC Girder	7.083ft	PPC Girders; 1' W @ Top, 1.5' W @ Bottom X 3' H
2	PPC Girder	7.083ft	
3	PPC Girder	7.083ft	
4	PPC Girder	7.083ft	
5	PPC Girder	7.083ft	

Title

730095 SUPERSTRUCTURE

Description

SIMILAR SECTION.

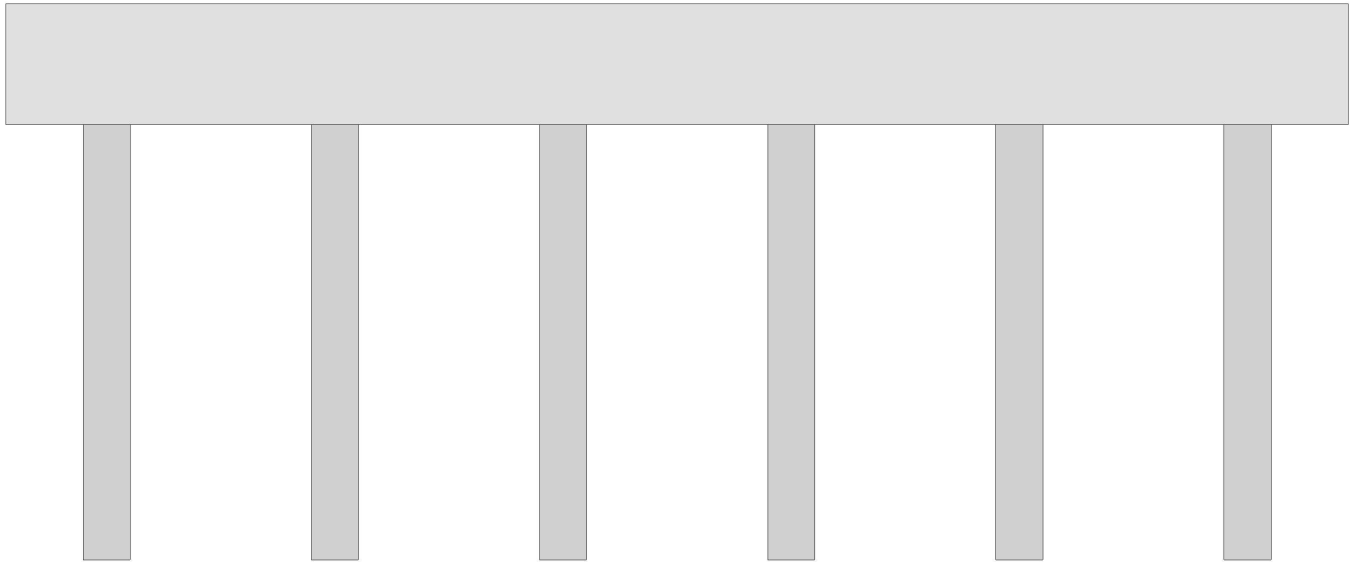
Bridge No: 730095

Drawn By: PD IPOCK

Date: 10/29/2013

File Name: S0050003295

Bridge Inspection Field Sketch



Cap Information			Material Cast-in-Place Concrete							
Length	Width	Height	Left Overhang	Right Overhang	Left Beam to End of Cap.		Right Beam to End of Cap.			
33.333 ft.	3.667 ft.	3.000 ft.	2.500 ft.	2.500 ft.						
Subcap Information			Material							
Length	Width	Height	Left Overhang	Right Overhang	Left Pile to Splice.					
Sill Information			Material							
Length	Width	Height								
Pile #	Material	Spacing	Width/Dia.	Height	Length	Orientation	Driven?	Replacement?	Removed?	Collar?
1	Steel	5.667 ft.	1.167 ft.			Vertical	Yes	No	No	No
2	Steel	5.667 ft.	1.167 ft.			Vertical	Yes	No	No	No
3	Steel	5.667 ft.	1.167 ft.			Vertical	Yes	No	No	No
4	Steel	5.667 ft.	1.167 ft.			Vertical	Yes	No	No	No
5	Steel	5.667 ft.	1.167 ft.			Vertical	Yes	No	No	No
6	Steel		1.167 ft.			Vertical	Yes	No	No	No
Bent/Abutment #: 1			Similar Bents:			EBT. Piles Not Visible.				

Title				Description			
730095 SUBSTRUCTURE, BT.1				BENT .1			
Bridge No:	730095	Drawn By:	PD IPOCK	Date:	10/29/2013	File Name:	S0050003296



LOOKING EAST, SR 1401.



SW GUARDRAIL END. SIMILAR @ ALL GUARDRAILS.



WEST APPROACH WEARING SURFACE WITH NO NOTEWORTHY PROBLEMS. EAST APPROACH SIMILAR.



WEST APPROACH SLAB. EAST APPROACH SLAB SIMILAR.



SW GUARDRAIL POST SPACINGS @ THE TRANSITION. SIMILAR @ ALL CORNERS.



LOOKING EAST



CONSTRUCTION JOINT @ EBT.1. SIMILAR @ EBT.2.



SIMILAR RAIL SYSTEM.



SW GUARDRAIL CONNECTION. SIMILAR CONNECTION @ ALL GUARDRAILS.



UPSTREAM NORTH



DOWNSTREAM SOUTH



LOOKING WEST, SR1401.



SOUTH SIDE, LOOKING WEST.



EBT.2



SPAN 2 SIDE OF BT.1.



SPAN 2 UNDERSIDE. SPAN 1 SIMILAR.



NORTH SIDE, LOOKING WEST.



SIMILAR BEARING ASSEMBLIES OVER BT.1.



EBT.1

APPENDIX M
PRIORITIZATION MATRIX

Parkers Creek/Johnsons Mill Run Watersheds

Project Prioritization Matrix																			
CATEGORY	Public Health and Safety - Flooding		Severity of Street Flooding (Public ROW)		Cost Effectiveness		Effect of Drainage Improvements		Water Quality - BMP		Water Quality - Erosion Control		Implementation Constraints		Grant Funding		Constructibility		TOTAL WEIGHTED SCORE
	Raw	Weighted	Raw	Weighted	Raw	Weighted	Raw	Weighted	Raw	Weighted	Raw	Weighted	Raw	Weighted	Raw	Weighted	Raw	Weighted	
Primary System Projects																			
N. Greene Street Crossing (Parkers Creek Lateral 1)	3	30	1	10	1	10	0	0	0	0	0	0	3	9	0	0	3	9	68
Memorial Drive Crossing (Parkers Creek Lateral 2)	5	50	3	30	1	10	5	30	1	6	0	0	5	15	0	0	3	9	150
Secondary System Projects																			
Countryside/Oak Grove System (Parkers Creek Lateral 2)	3	30	3	30	3	30	5	30	0	0	0	0	3	9	0	0	3	9	138
Haw Drive/Airport System (Parkers Creek Lateral 2)	1	10	3	30	3	30	5	30	0	0	0	0	3	9	0	0	3	9	118
Greenfield Terrace System (Parkers Creek Lateral 2)	3	30	3	30	3	30	3	18	0	0	0	0	3	9	0	0	1	3	120
Greenfield Terrace Park Detention Wetland (Parkers Creek Lateral 2)	3	30	3	30	1	10	5	30	0	0	0	0	5	15	0	0	1	3	118
Stream Stabilization Projects																			
Parkers Creek North Channel Stabilization	0	0	0	0	0	0	0	0	0	0	3	18	3	9	3	18	3	9	54
River Park North Channel Stabilization (Parkers Creek)	0	0	0	0	0	0	0	0	0	0	3	18	3	9	3	18	5	15	60
Greenfield Terrace Park Channel and Buffer Enhancement	0	0	0	0	0	0	0	0	0	0	0	0	3	9	3	18	3	9	36
Water Quality Projects																			
Welcome Middle School Wetland and Bioretention (Parkers Creek)	0	0	0	0	1	10	0	0	5	30	0	0	3	9	3	18	5	15	82
Greenfield Terrace Park WQ Wetland (Parkers Creek Lateral 2)	0	0	0	0	3	30	0	0	5	30	0	0	3	9	3	18	5	15	102
Staton Road Aquatics and Fitness Center Bioretention (Parkers Creek)	0	0	0	0	5	50	0	0	5	30	0	0	3	9	3	18	5	15	122
East Carolina Vocational Center (Parkers Creek Lateral 2)	0	0	0	0	5	50	0	0	5	30	0	0	3	9	3	18	5	15	122
Church Street Bioretention (Parkers Creek Lateral 1)	0	0	0	0	1	10	0	0	5	30	0	0	3	9	3	18	5	15	82

*Raw numbers are shown in left side of column and weighted numbers are provided in right side of column. Totals are based on weighted numbers.

Prioritization process for capital projects

To develop a systematic procedure for implementing proposed capital projects across the City, a quantitative prioritization process is critical. Table 15 includes a list of categories with associated scores to aid in the prioritization process. Weights are given to the most critical factors and a composite score is developed for each project. In the final capital plan for each watershed, the projects are then ranked based on the weighted scores.

Table 15. Capital Project Prioritization Matrix

Category	General Description	Score	Evaluation Criteria
Public Health and Safety	Evaluates potential impact of flooding on public health and safety. Generally, refers to flooding in and around habitable structures.	5	Flood water depth and/or velocity completely surrounds and threatens the structural integrity of habitable structures or vehicles. Finished Floor Flooding Occurs during the design storm.
		3	Flood water surrounds structure but does not cause imminent danger. Crawl space and HVAC units are flooded.
		1	Yard flooding occurs and flood waters are near HVAC, crawl spaces or foundations.
		0	Minor yard flooding may occur but habitable structure is not directly affected.
Severity of Street Flooding (City Owned)	Evaluates impact of flood depths to or through an area	5	Street spread requirements are not met and are so severe that the street becomes impassable during the design storm or street flooding has spread into private Flooding is noted on NCDOT roads as a result spread issues on adjacent town owned street.
		3	Street spread requirements are not met and the streets are passable only through the center of the street. Flooding noted on collector and local streets.
		1	Spread requirements exceeded but street flooding is considered minor nuisance for traffic.
		0	Spread requirements are met.
Cost Effectiveness	Evaluates the benefit/cost of the proposed improvements	5	Project benefit ratio is greater than 1.5
		3	Project benefit ratio is between 0.5 and 1.5
		1	Project benefit ratio is between 0.075 and 0.5
		0	Project ratio is less than 0.075
Effect of Improvements	Evaluates the number of drainage issues resolved and the number of citizens positively affected	5	Multiple major drainage issues are being resolved through the proposed improvements such as street spread and increased drainage capacity. Proposed improvements would resolve major drainage issues for more than 5 properties.
		3	Single drainage issue is being resolved and it is considered major. Proposed improvements would resolve drainage issues for 3-5 properties.
		1	Single drainage issue is being resolved and it is considered major. Proposed improvements would resolve drainage issues for 2-3 properties.
		0	Single drainage issue is being resolved and it is considered minor. Proposed improvements would resolve drainage issue(s) for a single property at most.
Water Quality /Quantity	Evaluates the impact a BMP would have on water quality, water quantity and NPDES Phase II Compliance	5	Provides both water quantity and water quality benefits. Does not use manufactured or proprietary BMP technology. Incorporates some form of green solution such as infiltration, LID, sustainability etc. Is considered a BMP retrofit.
		3	Provides water quality benefits but does not provide water quantity benefit. Is considered a BMP retrofit
		1	Improvements will have minimal impacts on water quality and would primarily serve as a demonstration project. Is considered a BMP retrofit.
		0	Improvements will have no measurable impact on water quality and would serve only as a demonstration project.

Category	General Description	Score	Evaluation Criteria
Open Channel - Erosion Control	Evaluates the severity of erosion control issues and impact on water quality	5	Severe erosion problems are evident and are contributing significantly to water quality issues.
		3	Moderate erosion problems are evident and are contributing to water quality issues.
		1	Minor erosion control issues are evident and are contributing to water quality issues.
		0	Minor erosion control issues are evident and are not contributing to water quality issues in a significant way.
Implementation Constraints	Considers potential constraints that may either delay or make the project too difficult to construct. Some examples would include significant permitting issues, high mitigation costs, numerous easement needs, required partnering with other communities or the NCDOT, or railroads.	5	Only minor local or state permits required. Does not involve ACOE, DWQ or FEMA. Proposed improvements can be completed without permanent or temporary easements. Project can proceed independent of other stormwater improvements identified in the master plan.
		3	Requires State and Federal permits that are typically easy to obtain such as Nationwide permits, FEMA No Rise etc. Primarily requires temporary easements with only a few permanent easements needed to build the project. Improvements may have limited coordination with other projects such as DOT widening, GUC utility improvements or down stream drainage improvements. Significant delays in the schedule due to this. Project can proceed independent of other stormwater improvements identified in the master plan.
		1	Numerous permits required including federal, state and local agencies. Examples would include an individual permit or FEMA CLOMR/LOMR. Extensive permanent and temporary easements are required. Project can not proceed independent of other stormwater improvements identified in the master plan.
			Project is self mitigating or requires very minor mitigation.
Grant Funding	Evaluates the availability and potential to receive grant funding	5	Project qualifies for multiple grants. Grant does not require significant match (20% match or less) Town does not have an open grant from the agency providing the funding. Project meets all ranking criteria and will score highly in most if not all categories.
		3	Project qualifies for only one type of grant funding. Grant requires match between 20% and 50% range. Town has an open grant from agency providing the funding. Project meets most if not all of the ranking criteria and will score high in key categories.
		1	Project qualifies for only one type of grant funding. Grant requires match equal to or greater than 50%. Town has an open grant from agency providing the funding.
			Project meets some of the ranking criteria and may score high in one or two categories.
		0	Project does not qualify for any type of grant funding
Constructability	Evaluates relative constructability of the project including site constraints, traffic and neighborhood impacts, and impacts on adjacent property owners.	5	Limited to no site constraints. Limited to no utility conflicts. Limited to no impacts on adjacent property owners.
		3	Limited to no impacts on traffic or surround neighborhoods. Some site constraints exist but are considered fairly minor. Some utility conflicts exist but are routine and do not require major utility relocation. Some traffic and neighborhood impacts occur but are fairly minor. Examples include temporary lane closures, occasional hauling or traffic detours though adjacent neighborhoods.
		1	Site constraints exist and are fairly major. Utility conflicts exist and require rerouting or relocation of existing utilities. Traffic and neighborhood impacts occur and are fairly major. Examples included extended road closures or hauling operations.

To calculate the project benefit ratio used in evaluating the cost effectiveness, the following steps were taken for each project location:

1. The weighted scores for the Public Health and Safety, Severity of Street Flooding, and Effect of Improvements categories were added together.
2. The sum of the three categories was divided by the total project cost.
3. The quotient was multiplied by a common multiplier, 5,000, to determine the benefit ratio.
4. The value was then assigned a score based on the evaluation criteria shown below for the cost effectiveness criteria.

Score	Evaluation Criteria
5	Project benefit ratio is greater than 1.5
3	Project benefit ratio is between 0.5 and 1.5
1	Project benefit ratio is between 0.075 and 0.5
0	Project ratio is less than 0.075

5. The applicable weighting factor is then applied to the score. The final number obtained is listed in the project prioritization matrix.

CATEGORY	Public Health and Safety	Severity of Street Flooding (Public ROW)	Effect of Improvements	Total Project Cost	Benefit Ratio	Raw Score
Primary System Projects						
N. Greene Street Crossing (Parkers Creek Lateral 1)	30	10	0	\$646,000	0.310	1
Memorial Drive Crossing (Parkers Creek Lateral 2)	50	30	30	\$1,164,000	0.473	1
Secondary System Projects						
Countryside/Oak Grove System (Parkers Creek Lateral 2)	30	30	30	\$585,000	0.769	3
Haw Drive/Airport System (Parkers Creek Lateral 2)	10	30	30	\$331,000	1.057	3
Greenfield Terrace System (Parkers Creek Lateral 2)	30	30	18	\$454,000	0.859	3
Greenfield Terrace Park Detention Wetland (Parkers Creek Lateral 2)	30	30	30	\$4,961,000	0.091	1
Stream Stabilization Projects						
Parkers Creek North Channel Stabilization	0	0	0	\$265,000	0.000	0
River Park North Channel Stabilization (Parkers Creek)	0	0	0	\$200,000	0.000	0
Greenfield Terrace Park Channel and Buffer Enhancement	0	0	0	\$142,000	0.000	0
Water Quality Projects						
Welcome Middle School Wetland and Bioretention (Parkers Creek)	0	0	0	\$142,000	1.122	3
Greenfield Terrace Park WQ Wetland (Parkers Creek Lateral 2)	0	0	0	\$212,000	0.769	3
Staton Road Aquatics and Fitness Center Bioretention (Parkers Creek)	0	0	0	\$112,000	4.598	5
East Carolina Vocational Center (Parkers Creek Lateral 2)	0	0	0	\$140,000	2.170	5
Church Street Bioretention (Parkers Creek Lateral 1)	0	0	0	\$197,000	0.372	1

Weight Factor	Criteria
10	Public Health and Safety
	Severity of Street Flooding (City Owned)
	Cost Effectiveness
6	Effect of Improvements
	Water Quality - BMP and Erosion Control
	Implementation Constraints
	Grant Funding
3	Construction Impacts
	Constructability

The above table presents the weighting factors that will be applied to the prioritization criteria, with the reason being that some criteria are viewed as more important (i.e. deserve a higher weighting) than others. So each score of each prioritization criteria will be multiplied by the assigned weight factor for that prioritization criteria category as shown in the Priority Matrix.

BMP Loading Reductions for Benefit Ratio

To calculate the BMP project benefit ratio used in evaluating the cost effectiveness, the following steps were taken for each project location:

1. The site drainage area impervious and pervious areas were entered into the NCDENR Coastal Plain loading calculator.
2. The loadings for Nitrogen and Phosphorus removed by the proposed BMP were entered into the table.
3. The pounds per acre per year removed were calculated (lb/ac/yr).
4. The Benefit Ratio was calculated by dividing the lb/ac/yr by 35,000 to bring into range of 0-5.

Score	Evaluation Criteria
5	Project benefit ratio is greater than 1.5
3	Project benefit ratio is between 0.5 and 1.5
1	Project benefit ratio is between 0.075 and 0.5
0	Project ratio is less than 0.075

5. The applicable weighting factor is then applied to the score. The final number obtained is listed in the project prioritization matrix in the cost effectiveness column.

	Cost	Catchment Areas (ac)		(lb/ac/yr) from Coastal Plain Worksheet			\$/ (lb/ac/yr)	Benefit Ratio
		Pervious	Impervious	N Removal	P Removal	Combined N&P		
Welcome Middle School Wetland and Bioretention	\$142,000	1.53	0.78	2.6	0.31	2.91	\$ 33,810	1.04
Greenfield Terrace Park WQ Wetland (Parkers Creek	\$212,000	52.63	8.51	1.12	0.17	1.29	\$ 24,173	1.45
Staton Road Aquatics and Fitness Center Bioretention	\$112,000	0.18	0.86	6.74	0.74	7.48	\$ 8,278	4.23
East Carolina Vocational Center (Parkers Creek Lateral 2)	\$140,000	2.67	6.14	5.38	0.67	6.05	\$ 17,370	2.02
Church Street Bioretention (Parkers Creek Lateral 1)	\$197,000	22.39	7.60	1.69	0.32	2.01	\$ 98,010	0.36