

2019 Stormwater Pipe Repair Project
GREENVILLE, NORTH CAROLINA

CITY OF GREENVILLE
NORTH CAROLINA

April 2019

PROJECT NUMBER: PWD-2019-004



Find yourself in good company

CITY OF GREENVILLE, NC
PUBLIC WORKS DEPARTMENT
1500 BEATTY STREET

**City of Greenville Public Works Department
Bid Request Form**

2019 Stormwater Pipe Repair Project

Scope of Work:

The scope of services may include, but are not limited to the identified projects below: 200 W. 5th Street, 540 B Lake Road, 312 Stanwood Drive, 1502 SE Greenville Blvd, 4002 Wyneston Road, 2400 Jefferson Drive, 902 W 3rd Street, 1700 Cedar Lane and 801 E 5th Street , , . All work under this contract will be issued to the Contractor as project work orders and will identify a specific scope of work for each individual project. The project work may include, but is not limited to, repair and/or replacement of the following: storm drain lines, manholes, catch basins, storm water outfalls and any other related storm water structures. Work may involve minor improvements to storm pipe. The Contractor shall be compensated based on line items and the unit prices included in the Contract Documents. The City does not guarantee either a minimum volume of work or a specific volume of work under this Contract.

Special Conditions: All work will be performed between the hours of 8:00 AM to 5:00 PM and will be performed either in City rights-of-way or a drainage easement.

Bid submittal deadline Tuesday, March 26, 2019@ 2:00PM

Contractor Name and Address:

Firm Owner: _____ **Date:** _____

Total Bid : _____

Bid submitted by: _____ **Signature:** _____

Notes:

- 1. Please attach breakdown of bid from bid package including all necessary forms**
- 2. Bid will be considered valid for a period of 60 days after submittal**

INVITATION TO BID FOR THE 2019 Stormwater Pipe Repair Project

The person, firm or corporation making a proposal shall submit it in a sealed envelope to Mr. Victor Long at the Public Works Administrative offices located at 1500 Beatty Street, Greenville NC, 27834, on or before the hour and day stated on the attached bid request form. The words "2019 Stormwater Pipe Repair Project" and the name "Victor Long" should appear on the outside of the sealed envelope. The proposal may also be mailed but must be received by the City of Greenville, Public Works Department prior to the time and date stated on the attached bid request form.

The bidder shall insert the required responses and supply all the information as indicated on the Bid Form. The prices inserted shall be net and shall be the full cost including all factors whatsoever. Any bids not submitted on such forms provided will be considered non-responsive.

No bid may be changed or withdrawn after the time of the bid opening. Any modifications or withdrawals requested before this time shall be acceptable only when such request is made in writing to Victor Long, Engineering Assistant II.

The City of Greenville reserves the right to reject any and all bids, to waive any formalities, and to accept the bid or any portion thereof that is deemed most advantageous to the City. Any bid submitted will be binding for 60 days after the date of the bid opening.

It is expressly understood by the bidders that written notice of award and/or receipt of purchase order will constitute agreement by the City to consummate the transaction and will serve together with the proposal, scope of work, and these instructions as the entire form of contract between the parties except in cases where formal contracts are warranted.

Each bidder shall affirm that no official or employee of the City of Greenville is directly or indirectly interested in this proposal for any reason of personal gain.

The City has adopted an Equal Opportunity Clause which is incorporated into specifications, purchase orders, and contracts, whereby a vendor agrees not to discriminate against any employee or applicant for employment because of race, color, religion, sex, national origin or ancestry. A copy of this clause may be obtained at the City Clerk's Office, City Hall, Greenville, North Carolina. By submitting a proposal, the firm is attesting that they are an Equal Opportunity Employer.

Federal law (Rehabilitation Act and ADA) prohibits handicapped discrimination by all governmental units. By submitting a proposal, the vendor is attesting its policy of nondiscrimination regarding the handicapped.

Sales taxes may be listed on the proposal, but as a separate item. No charge will be allowed for Federal Excise and Transportation tax from which the City is exempt.

Questions regarding any part of this bid shall be directed to Victor Long, Engineering Assistant II, Public Works Department, 1500 Beatty Street, Greenville NC 27834, telephone (252) 329-4467.

REQUEST FOR BIDS FOR THE
2019 Stormwater Pipe Repair Project
GREENVILLE, NORTH CAROLINA

GENERAL INSTRUCTIONS TO BIDDERS

1. The 2012 North Carolina Department of Transportation Standard Specifications for Roads and Structures, herein referred to as the 'Standard Specifications', shall apply to all portions of this project except as modified by this document.
2. No proposal may be changed or withdrawn after **Tuesday, March 26 at 2:00 PM**. Any modifications or withdrawals requested before this time shall be acceptable only when such request is made in writing to Victor Long, Engineering Assistant II.
3. The CONTRACTOR shall give his personal superintendence to the work or have a competent superintendent, satisfactory to the OWNER, on the job 100 percent (100%) of the time during the progress of the work, with authority to act for him.
4. The CONTRACTOR shall perform 50 percent of the contract price with his own forces (See project special provisions).
5. The CONTRACTOR shall secure all permits for the construction of the work hereinafter described under this contract with the exception of riparian buffer authorization. The OWNER shall submit Pre-Construction Notification to the NC Department of Environment and Natural Resources and shall acquire riparian buffer authorization.
6. The CONTRACTOR shall be responsible for removal from premises all construction residue created by his work. At completion of the work, at the time for final inspection, the CONTRACTOR shall have the work clean and ready for acceptance. Periodic cleaning up shall be done as rubbish accumulates; but no less than once per week during the course of this project. Disposal of residue accumulated shall be the CONTRACTOR'S responsibility.
7. Unless otherwise specifically set forth, the CONTRACTOR shall furnish all materials, labor, etc. necessary to fully complete the work according to the true meaning of these specifications, of which intent and meaning the OWNER shall be the interpreter. Except when otherwise indicated, no local terms or classifications will be considered in the interpretation of the contract or the specifications forming a part thereof.
8. The work is entirely under the control of the OWNER. The OWNER may require the CONTRACTOR to remove such materials that do not conform to the intent and meaning of the plans and specifications and to dismiss such workmen as they seem to

be incompetent or careless. The CONTRACTOR shall furnish the OWNER a complete breakdown of the cost of labor, materials, and subcontractors prior to beginning construction upon OWNER'S request.

9. Arbitration is hereby deleted from this contract. Arbitration will not be acceptable as a means for settling claims, disputes and other matters.
10. All work shall be executed in the best and the most workmanlike manner in strict accordance with the drawings and specifications by qualified, careful, and efficient workers in accordance with local, State and Federal agencies.
11. Partial payments may be allowed once every 30 days or full payment will be made lump sum within thirty (30) consecutive calendar days after acceptance of the work and the submission both of notarized CONTRACTOR'S affidavit and three (3) copies of invoices which are to include the contract, account, and job order numbers.
12. The CONTRACTOR'S affidavit shall state: "This is to certify that all costs of materials, equipment, labor, and all else entering into the accomplishment of this contract, including payrolls, have been paid in full."
13. If there are any change orders approved for this project, overhead and profit shall be limited to ten percent (10%) of the change order amount.
14. All work is to be performed in compliance with Federal, State, and local codes, and all necessary permits shall be obtained.
15. Specifications and warranty information for all materials proposed for installation shall be submitted with the proposal.
16. The CONTRACTOR shall guarantee the materials and workmanship associated with the project against defect due to faulty material, workmanship, and/or negligence for one year after the acceptance of the project. The CONTRACTOR shall make good such defective materials or workmanship within the stipulated guarantee period. All work shall be performed in accordance with manufacturer's recommended installation procedures, best practices and workmanship of the trade and/or skill involved to the satisfaction of the OWNER.
17. Executed contract documents, insurance certifications, and, upon completion and acceptance of the work, invoices and other information requested, are to be sent to:

Mr. Victor Long, Engineering Assistant II
City of Greenville, Public Works Department
1500 Beatty Street, Greenville, NC 27834

18. Questions relative to technical aspects of the work to be done should be directed to Mr. Victor Long, 1500 Beatty Street, Greenville, North Carolina 27834, telephone (252)

329-4467 (Engineering Assistant II).

19. Firms submitting a bid are attesting that no official or employee of the City of Greenville is directly or indirectly interested in this proposal for any reason of personal gain.
20. By submitting a proposal, the firm is attesting that they are an Equal Opportunity Employer.
21. Minority and/or Women Business Enterprise (MWBE) Program

It is the policy of the City of Greenville to provide minorities and women equal opportunity for participating in all aspects of the City's contracting and procurement programs, including but not limited to, construction projects, supplies and materials purchases, and professional and personal service contracts. In accordance with this policy, the City has adopted a Minority and Women Business Enterprise (M/WBE) Plan and subsequent program, outlining verifiable goals.

The City has established a 10% Minority Business Enterprise (MBE) and 6% Women Business Enterprise (WBE) goal for the participation of MWBE firms in supplying goods and services for the completion of this project. All firms submitting bids agree to utilize minority and women-owned firms whenever possible.

Questions regarding the City's MWBE Program should be directed to the MWBE Office at (252) 329-4462.

22. Equal Employment Opportunity Clause

The City has adopted an Equal Employment Opportunity Clause, which is incorporated into all specifications, purchase orders, and contracts, whereby a vendor agrees not to discriminate against any employee or applicant for employment on the basis of race, color, religion, sex, national origin or ancestry. A copy of this clause may be obtained at the City Clerk's Office, City Hall, Greenville, NC. By submitting qualifications and/or proposals, the firm is attesting that they are an Equal Opportunity Employer.

Federal law (Rehabilitation Act and ADA) prohibits handicapped discrimination by all governmental units. By submitting a proposal, the vendor is attesting to its policy of nondiscrimination regarding the handicapped.

INTENTIONALLY LEFT BLANK

INSTRUCTIONS TO BIDDERS

1. Defined Terms

- 1.1. Terms used in these Instructions to Bidders that are defined in the Standard General Conditions of the Construction Contract (No. 1910-8) (1996 Edition) have the meanings assigned to them in the General Conditions.
- 1.2. Certain additional terms used in these Instructions to Bidders have the meanings indicated below which are applicable to both the singular and plural thereof.
 - 1.2.1. Bidder – one who submits a Bid directly to Owner as distinct from a sub-bidder, who submits a bid to a Bidder.
 - 1.2.2. Issuing Office – the office from which the Bidding Documents are to be issued and where the bidding procedures are to be administered.
 - 1.2.3. Successful Bidder – the lowest, responsible and responsive Bidder to whom Owner (on basis of Owner's evaluation as hereinafter provided) makes an award.
 - 1.2.4. Owner – the City of Greenville, NC.
 - 1.2.5. Engineer – City Engineer or his designated representative of the Public Works Department, Engineering Division, of the City of Greenville.
 - 1.2.6. Contractor - A person or company that undertakes a contract to provide materials or labor to perform a service or do a job.

2. Copies of Bidding Documents

- 2.1. Complete sets of Bidding Documents must be used in preparing Bids; neither Owner nor Engineer assumes any responsibility for errors or misinterpretations resulting from the use of incomplete sets of Bidding Documents.
- 2.2. Owner and Engineer in making copies of Bidding Documents available on the above terms do so only for the purpose of obtaining Bids for the Work and do not confer a license or grant for any other use.

3. Qualifications of Bidders

- 3.1. To demonstrate qualifications to perform the Work, each Bidder must be prepared to submit within five days after Bid opening upon Owner's request detailed written evidence such as financial data, previous experience, present commitments and other such data as may be called for below (or in the General Instructions).

3.2. Each Bid must contain evidence of Bidder's qualification to do business in the state where the Project is located or covenant to obtain such qualification prior to award of the contract.

4. Examination of Contract Documents and Site.

4.1. It is the responsibility of each Bidder before submitting a Bid:

4.1.1. To examine thoroughly the Contract Documents and other related data identified in the Bidding Documents, including "technical data" referred to below;

4.1.2. To visit the site to become familiar with and satisfy Bidder as to the general, local and site conditions that may affect cost, progress, performance or furnishing of the Work;

4.1.3. To consider federal, state and local laws and regulations that may affect cost, progress, performance or furnishing of the Work;

4.1.4. To study and carefully correlate Bidder's knowledge and observations with the Contract Documents and such other related data; and

4.1.5. To promptly notify Engineer of all conflicts, errors, ambiguities or discrepancies that the Bidder has discovered in or between the Contract Documents and such other related documents.

4.2. The work shall be done in accordance with the contract specs entitled "2019 Stormwater Pipe Repair Project".

4.3. Reference is made to the Supplementary Conditions for identification of the following:

4.3.1. Those reports of explorations and tests of subsurface conditions at or contiguous to the site which have been utilized by Engineer in preparation of the Contract Documents. Bidder may rely upon the general accuracy of the "technical data" contained in such reports but not upon other data, interpretations, opinions or information contained in such reports or otherwise relating to the subsurface conditions at the site, nor upon the completeness thereof for the purposes of bidding or construction.

4.3.2. Those drawings of physical conditions in or relating to existing surface and subsurface structures (except Underground Facilities) which are at or contiguous to the site that have been utilized by Engineer in preparation of the Contract Documents. Bidder may rely upon the general accuracy of the "technical data" contained in such drawings but not upon other data, interpretations, opinions or information shown or indicated in such drawings or otherwise relating to such structures, nor upon the completeness thereof for the purposes of bidding or construction.

4.3.3. Information and data shown or indicated in the Contract Documents with respect to existing Underground Facilities at or contiguous to the site is based upon information and

data furnished to Owner and Engineer by owners of such Underground Facilities or others, and Owner and Engineer do not assume responsibility for the accuracy or completeness thereof unless it is expressly provided otherwise in the Supplementary Conditions.

- 4.4. Before submitting a Bid, each Bidder will be responsible to obtain such additional or supplementary examinations, investigations, explorations, tests, studies and data concerning conditions (surface, subsurface and Underground Facilities) at or contiguous to the site or otherwise, which may affect cost, progress, performance or furnishing of the Work or which relate to any aspect of the means, methods, techniques, sequences or procedures of construction to be employed by Bidder and safety precautions and programs incident thereto or which Bidder deems necessary to determine its Bid for performing and furnishing the Work in accordance with the time, price and other terms and conditions of the Contract Documents.
- 4.5. On request, Owner will provide each Bidder access to the site to conduct such examinations, investigations, explorations, tests and studies, as each Bidder deems necessary for submission of a Bid. Bidder must fill all holes and clean up and restore the site to its former conditions upon completion of such explorations, investigations, tests and studies.
- 4.6. The submission of a Bid will constitute an incontrovertible representation by Bidder that Bidder has complied with every requirement of this Article 4, that without exception the Bid is premised upon performing and furnishing the Work required by the Contract Documents and applying the specific means, methods, techniques, sequences or procedures of construction (if any) that may be shown or indicated or expressly required by the Contract Documents, that Bidder has given Engineer written notice of all conflicts, errors, ambiguities and discrepancies that Bidder has discovered in the Contract Documents and the written resolutions thereof by Engineer is acceptable to Bidder, and that the Contract Documents are generally sufficient to indicate and convey understanding of all terms and conditions for performing and furnishing the Work.
- 4.7. The Provisions of Sections 4.1 through 4.7, inclusive, do not apply to Asbestos, Polychlorinated biphenyl (PCB), Petroleum, Hazardous Waste or Radioactive Material covered by Paragraph 4.05 of the General Conditions.

5. Availability of Lands for Work, etc.

- 5.1. The lands upon which the Work is to be performed, rights-of-way and easements for access thereto and other lands designated for use by CONTRACTOR in performing the Work are within an existing or temporary drainage easement. All additional lands and access thereto required for temporary construction facilities, construction equipment or storage of materials and equipment to be incorporated in the Work are to be obtained and paid for by the CONTRACTOR. Easements for permanent structures or permanent changes in existing facilities are to be obtained and paid for by Owner unless otherwise provided in the Contract Documents.

6. Interpretations and Addenda.

- 6.1. All questions about the meaning or intent of the Bidding Documents are to be directed to Engineer. Interpretations or clarifications considered necessary by Engineer in response to such questions will be issued by Addenda mailed or delivered to all parties recorded by Engineer as having received the Bidding Documents. Questions received less than seven days prior to the date for opening of Bids may not be answered. Only questions answered by formal written Addenda will be binding. Oral and other interpretations or clarifications will be without legal effect.

- 6.2. Addenda may also be issued to modify the Bidding Documents as deemed advisable by Owner or Engineer.

7. Contract Times.

- 7.1. The Work is to be substantially completed and ready for final payment within **365** calendar days. Work is expected to begin on or about **May 1, 2019** and be completed by **May 1, 2020**. Once work order begins on this project, it is to continue until complete.

8. Liquidated Damages.

- 8.1. The City shall deduct as liquidated damages, the sum of **one hundred fifty dollars (\$150.00) per day** for each and every calendar day completion is delayed in excess of the Contract time set forth above.

9. Substitute and "Or-Equal" Items.

- 9.1. The Contract, if awarded, will be on the basis of materials and equipment described in the Drawings or specified in the Specifications without consideration of possible substitute of "or-equal" items. Whenever it is indicated in the Drawings or specified in the Specifications that a substitute or "or-equal" item or material or equipment may be furnished or used by CONTRACTOR if acceptable to Engineer, application for such acceptance will not be considered by Engineer until after the Effective Date of the Agreement. The procedure for submission of any such application by CONTRACTOR and consideration by Engineer is set forth in Paragraph 6.05 of the General Conditions and may be supplemented in the Division 1 Project Requirements.

10. Subcontractors, Suppliers and Others.

- 10.1. If the Supplementary Conditions require the identity of certain Subcontractors, Suppliers and other persons and organizations (including those who are to furnish the principal items of material and equipment) to be submitted to Owner in advance of a specified date prior to the Effective Date of the Agreement, apparent Successful Bidder, and any other Bidder so requested, shall within five days after Bid opening submit to Owner a list of all such Subcontractors, Suppliers and other persons and organizations proposed for those portions of the Work for which such identification is required. Such list shall be accompanied by an experience statement with pertinent information regarding similar projects and other evidence of qualification for each such Subcontractor, Supplier, person or organization if requested by Owner. An Owner or Engineer who after due investigation has reasonable objection to any proposed Subcontractor, Supplier, other person or organization, may before the Notice of Award is given request apparent Successful Bidder to submit an acceptable substitute, without an increase in Bid price.

If apparent Successful Bidder declines to make any such substitution, Owner may award the contract to the next lowest Bidder that proposes to use acceptable Subcontractors, Suppliers and other persons and organizations. Any Subcontractor, Supplier, other person or organization listed and to whom Owner or Engineer does not make written objection prior to the giving of the Notice of Award will be deemed acceptable to Owner and Engineer subject to revocation of such acceptance after the Effective Date of the

Agreement as provided in Paragraph 6.8.2 of the General Conditions.

10.2. No CONTRACTOR shall be required to employ any Subcontractor, Supplier, other person or organization against which CONTRACTOR has reasonable objection.

11. Bid Form.

11.1. The Bid Form is included with the Bidding Documents; additional copies may be obtained from Engineer (or the Issuing Office).

11.2. The bidder must provide PER UNIT PRICE and TOTAL UNIT BID PRICE for each item on the attached bid form. Quotations will be evaluated on the SUM TOTAL OF ALL ITEM TOTALS (Base Bid Total). Payment to the successful low bidder will be based on actual quantities installed and accepted at the PER UNIT PRICE for each item quoted.

11.3. Sales taxes may be listed on the proposal, but as a separate item. No charge will be allowed for Federal Excise and Transportation tax from which the City is exempt. Sales taxes must be reported on invoices.

11.4. All blanks on the Bid Form must be completed by printing in ink or by typewriter.

11.5. Bids by corporations must be executed in the corporate name by the president or a vice-president (or other corporate officer accompanied by evidence of authority to sign) and the corporate seal must be affixed and attested by the secretary or an assistant secretary. The corporate address and state of incorporation must be shown below the signature.

11.6. Bids by partnerships must be executed in the partnership name and signed by a partner, whose title must appear under the signature and the official address of the partnership must be shown below the signature.

11.7. All names must be typed or printed in ink below the signature.

11.8. The Bid shall contain an acknowledgment of receipt of all Addenda (the numbers of which must be filled in on the Bid Form).

11.9. The address and telephone number for communications regarding the Bid must be shown.

11.10. Evidence of authority to conduct business as an out-of-state corporation in the state where the Work is to be performed shall be provided in accordance with Section 3. State Contractor license number must also be shown.

12. Submission of Bids.

- 12.1. Bids (G.S. 143-129) for this project shall be submitted to Mr. Victor Long, Engineering Assistant II, 1500 Beatty Street, Greenville, North Carolina, 27834, no later than **2:00 PM, Tuesday, March 26, 2019**, and immediately thereafter the sealed bids will be publicly opened and read for furnishing and constructing the 2019 Stormwater Pipe Repair Project. Bids and all required documents shall be enclosed in an opaque, sealed envelope and the words "**2019 Stormwater Pipe Repair Project**" and the name "Victor Long" shall appear on the outside of the envelope along with the name and address of Bidder. If the Bid is sent through the mail or other delivery system the sealed envelope shall be enclosed in a separate envelope with the notation "BID ENCLOSED" on the face of it. Facsimile (Fax) bids are not acceptable.

13. Modification and Withdrawal of Bids.

- 13.1. Bids may be modified or withdrawn by an appropriate document duly executed (in the manner that a Bid must be executed) and delivered to the place where Bids are to be submitted at any time prior **Tuesday, March 26, 2019 by 2:00 PM.**
- 13.2. If, within seventy-two hours after Bids are opened, any Bidder files a duly signed, written notice with Owner and promptly thereafter demonstrates to the reasonable satisfaction of Owner that there was a material and substantial mistake in the preparation of its Bid, that Bidder may withdraw its Bid. Thereafter, that Bidder will be disqualified from further bidding on the Work to be provided under the Contract Documents.

14. Opening of Bids.

Bids will be opened immediately after **2:00 PM, Tuesday, March 26, 2019.**

15. Bids to Remain Subject to Acceptance.

- 15.1. The City of Greenville reserves the right to reject any and all bids, to waive any irregularities and to accept the bid, or part of the bid, it deems most advantageous to the City. Any bid submitted will be binding for sixty (60) days after the date of the bid opening. The Owner may, in its sole discretion, release any Bid prior to that date.

16. Award of Contract.

- 16.1. Owner reserves the right to reject any or all Bids, including without limitation the rights to reject any or all nonconforming, non-responsive, unbalanced or conditional Bids and to reject the Bid of any Bidder if Owner believes that it would not be in the best interest of the Project to make an award to that Bidder, whether because the Bid is not responsive or the Bidder is unqualified or of doubtful financial ability or fails to meet any other pertinent standard or criteria established by Owner, including but not limited to past performance by the bidder involving other City projects. Owner also reserves the right to waive all informalities not involving price, time or changes in the Work and to negotiate

contract terms with the Successful Bidder. Discrepancies between the multiplication of units of Work and unit prices will be resolved in favor of the unit prices. Discrepancies between the indicated sum of any column of figures and the correct sum thereof will be resolved in favor of the correct sum. Discrepancies between words and figures will be resolved in favor of the words.

- 16.2. In evaluating Bids, Owner will consider the qualifications of Bidders, whether or not the Bids comply with the prescribed requirements, and such alternates, unit prices and other data, as may be requested in the Bid Form or prior to the Notice of Award.
- 16.3. Owner may consider the qualifications and experience of Subcontractors, Suppliers, and other persons and organizations proposed for those portions of the Work as to which the identity of Subcontractors, Suppliers, and other persons and organizations must be submitted as provided in the Supplementary Conditions. Owner also may consider the operating costs, maintenance requirements, performance data and guarantees of major items of materials and equipment proposed for incorporation in the Work when such data is required to be submitted prior to the Notice of Award.
- 16.4. Owner may conduct such investigations as Owner deems necessary to assist in the evaluation of any Bid and to establish the responsibility, qualifications and financial ability of Bidders, proposed Subcontractors, Suppliers and other persons and organizations to perform and furnish the Work in accordance with the Contract Documents to Owner's satisfaction within the prescribed time.
- 16.5. If the contract is to be awarded, it will be awarded to lowest responsive, responsible Bidder whose evaluation by owner indicates to Owner that the award will be in the best interests of the Project.
- 16.6. The Owner reserves the right to award any or all parts of a Contract but separate parts of the same Contract will not be awarded to different contractors.
- 16.7. If the contract is to be awarded, Owner will give Successful Bidder a Notice of Intent to Award within 10 days after the day of the Bid opening.
- 16.8. If the contract is to be awarded, Owner will give Successful Bidder a Notice of Award within 60 days after the day of the Bid opening.

17. Signing of Agreement.

- 17.1. When Owner gives a Notice of Intent to Award to the Successful Bidder, it will be accompanied by the required number of unsigned counterparts of the Agreement with all other written Contract Documents attached. Within seven days thereafter CONTRACTOR shall sign and deliver the required number of counterparts of the Agreement and attached documents to Owner with the required Bonds. Within fourteen days after award Owner shall deliver one fully signed counterpart to CONTRACTOR.

PROJECT SPECIAL PROVISIONS

SCOPE OF WORK

The scope of services may include, but are not limited to the identified projects below: 200 W. 5th Street, 540 B Lake Road, 312 Stanwood Drive, 1502 SE Greenville Blvd, 4002 Wyneston Road, 2400 Jefferson Drive, 902 W 3rd Street, 1700 Cedar Lane and 801 E 5th Street. All work under this contract will be issued to the Contractor as project work orders and will identify a specific scope of work for each individual project. The project work may include, but is not limited to, repair and/or replacement of the following: storm drain lines, manholes, catch basins, storm water outfalls and any other related storm water structures. Work may involve minor improvements to storm pipe. The Contractor shall be compensated based on line items and the unit prices included in the Contract Documents. The City does not guarantee either a minimum volume of work or a specific volume of work under this Contract.

WORKING HOURS

Regular working hours shall be between 8:00 a.m. and 5:00 p.m., except as approved in writing by the Owner or Engineer.

AVAILABILITY

The City may contract work to a different Contractor based on availability for a specific project.

CONTRACT WORK

All work under this contract will be issued to the Contractor as project work orders and will identify a specific scope of work for each individual project.

CONCERNING SUBCONTRACTORS, SUPPLIERS AND OTHERS

The Contractor shall not award WORK to Subcontractor(s), in excess of 50 percent of the Contract Price, without prior written approval of the OWNER. Justification must be submitted by the CONTRACTOR to the ENGINEER for recommendations and forwarding to OWNER. The OWNER's refusal to allow an increase in the percent subcontracted will not be grounds for increasing the Contract Price.

BASIS OF BID

Bidder will complete the Work in accordance with the Contract Documents for the following price(s):

- A. For Unit Price Work, an amount equal to the sum of the established unit price for each separately identified item of Unit Price Work times the estimated quantity of that item as indicated below.
- B. The estimated quantities of items of Unit Price Work are not guaranteed and are solely

for the purpose of comparison of Bids and determining an initial Contract Price. Determination of the actual quantities and classifications of Unit Price Work performed by the Contractor will be made by the City Engineer. Unit Price should be all inclusive unless otherwise specified.

- C. Negotiated Unit Price - When requested by the City, the Contractor shall prepare at least one (1) written estimate for any item or items necessary to complete the project work order that is not included in the original unit bid form.**

INSURANCE REQUIREMENTS

Contractor's Liability and Other Insurance:

The Contractor shall purchase and maintain with a company acceptable to the City and authorized to do business with the State of North Carolina, such insurance as will protect him from claims under worker's compensation laws, disability benefit laws or other similar employee benefit laws; from claims for damages because of bodily injury, occupational sickness or disease, or death of his employees, and claims insured by usual personal injury liability coverage; from claims for damages because of bodily injury, sickness or disease, or death of any person other than his employees including claims insured by usual personal injury liability coverage; and from claims for injury to or destruction of tangible property, including loss of use resulting therefrom - any or all of which may arise out of or result from the contractors operations under the contract documents, whether such operations be by himself or any subcontractor or anyone directly or indirectly employed by any of them or for whose acts any of them may be legally liable. This insurance shall be written for not less than the limits of liability specified below.

Automobile - Bodily injury and property liability covering all owned, non-owned and hired automobiles for limits of not less than \$1,000,000 bodily injury each person, each accident and \$1,000,000 property damage, or \$1,000,000 combined single limit - Bodily injury and property damage combined.

Commercial General Liability - Bodily injury and property damage liability as shall protect the contractor and any subcontractor performing work under this contract from claims of bodily injury or property damage which arise from operations of this contract whether such operations are performed by the contractor, any subcontractor or anyone directly or indirectly employed by either. The amounts of such insurance shall not be less than \$1,000,000 bodily injury each occurrence and \$1,000,000 property damage each occurrence or \$1,000,000 bodily injury and property damage combined single limits each occurrence, 2,000,000.00 for general aggregate limit, and 2,000,000.00 for products and completed operations aggregate. Provide a certificate of insurance to the City and Owner reflecting the required minimum coverages. The coverage shall be on an occurrence basis.

Worker's Compensation and Employers Liability - Shall meet the statutory requirement of the State of North Carolina, in the amount of \$100,000 each accident and disease - each employee and \$500,000 disease policy limit.

At the time of execution of the contract, the contractor shall provide the City with insurance certificates certifying that the foregoing insurance is in force; and such insurance certificates shall include provisions that the insurance shall not be canceled, allowed to expire or be materially changed without giving the City thirty (30) days advance written notice by registered mail.

The contractor is advised that if any part of the work under the contract is sublet, he shall require the subcontractor(s) to carry insurance as required above. However, this will in no way relieve the contractor from providing full insurance coverage on all phases of the projects, including any that are sublet.

When certain work is to be performed inside rights-of-way owned by railroads, North Carolina Department of Transportation or other agencies, both the contractor and any subcontractor may be required to furnish individual insurance certificates made in favor by the controlling agency, with limits established by that agency.

CONTRACT BID ITEMS

15" to 60" RCP Class III

Includes pipe as specified and all joint material, including dewatering and cleaning. All grubbing, root or stump removal, excavation and embedment stone are to be included in the contract unit price of the pipe. **Select Fill for installation will be paid under the Select Fill line item and does not need to be included in this line item.** Any additional stone placed in variance to the construction details as shown will not be approved for payment without prior authorization by the Engineer. All pipe, asphalt and concrete removal & disposal within the same excavation will be incidental to the installation of the pipe. Payment will be for the pipe size per lineal feet installed.

18" to 36" HP Dual Wall Pipe

Includes pipe as specified and all joint material, including dewatering and cleaning. All excavation and embedment stone are to be included in the contract unit price of the pipe. **Select Fill for installation will be paid under the Select Fill line item and does not need to be included in this line item.** Any additional stone placed in variance to the construction details as shown will not be approved for payment without prior authorization by the Engineer. All pipe, asphalt and concrete removal & disposal within the same excavation will be incidental to the installation of the pipe. Use the included detail for Storm Pipe Trench Detail Under Pavement for the entire installation. Payment will be for the pipe size and per lineal feet installed.

36" Dual Wall HDPE-WT

Includes pipe as specified and all joint material, including dewatering and cleaning. All excavation and embedment stone are to be included in the contract unit price of the pipe. **Select Fill for installation will be paid under the Select Fill line item and does not need to be included in this line item.** Any additional stone placed in variance to the construction details as shown will not be approved for payment without prior authorization by the Engineer. Use the included detail for installation. Payment will be for the pipe size and per lineal feet installed.

36" Dual Wall HDPE-WT FES

The unit price for this item shall include the furnishing and the installation of a 36" Dual Wall HDPE – WT flared end section. The payment shall be for each Flared End section installed.

Catch Basin with Frame & Grate (0-4')

The unit price bid for this item shall be based on the number of catch basins installed and accepted by the City. Payment will be for the unit price each, to be paid under this item shall include catch basins from 0-4 feet deep including but not limited to: dewatering and drainage; bypass pumping of stormwater flows; location and protection of all known and unknown

utilities; yard inlet top and openings, manhole ring and cover; excavation, placement and compaction of suitable foundation and backfill material to subgrade or finished grade elevation.

Catch Basin with Frame & Grate (>4)

The unit price bid for this item shall be based on the number of catch basins installed and accepted by the City. Payment will be for the unit price each, to be paid under this item shall include catch basins greater than 4 feet deep including but not limited to: dewatering and drainage; bypass pumping of stormwater flows; location and protection of all known and unknown utilities; yard inlet top and openings, manhole ring and cover; excavation, placement and compaction of suitable foundation and backfill material to subgrade or finished grade elevation.

Drop Inlet With Frame & Grate (>4')

The unit price bid for this item shall be based on the number of drop inlets installed and accepted by the City. Payment will be for the unit price each, to be paid under this item shall include drop inlets greater than 4 feet deep including but not limited to: dewatering and drainage; bypass pumping of stormwater flows; location and protection of all known and unknown utilities; yard inlet top and openings, manhole ring and cover; excavation, placement and compaction of suitable foundation and backfill material to subgrade or finished grade elevation.

Basin With Manhole Cover (4 -10')

The unit price bid for this item shall be based on the number of basins installed and accepted by the City. Payment will be for the unit price each, to be paid under this item shall include basin from 4-10 feet deep including but not limited to: dewatering and drainage; bypass pumping of stormwater flows; location and protection of all known and unknown utilities; yard inlet top and openings, manhole ring and cover; excavation, placement and compaction of suitable foundation and backfill material to subgrade or finished grade elevation..

External Point Repair to 8 Feet Depth

Repair a damaged segment of existing pipe, uncover pipe and repair it with a soil-tight repair method. The term "point repair" shall refer to construction required to correct a severe problem at a specified location in a pipe line which is best repaired by excavation. All repairs must be wrapped in filter fabric. Point repairs will be a repair from 3 to 8 linear feet performed at a single location. Carefully protect from damage at all times all existing sewers, water lines, gas lines, sidewalks, curbs, gutters, pavements, electric lines, or other utilities or structures in the vicinity of the work. Payment will be for each repair.

4 Inch Concrete Sidewalk

Payment shall include the removal and replacement of any concrete sidewalk removed or damaged during the construction that is not incidental to pipe installation. Payment will be for linear feet of sidewalk removed and replaced.

Concrete Driveway Apron

The quantity to be paid for under this item will be the actual number of square yards of concrete driveway apron installed as verified by the City. The unit price bid for this item will be full compensation required to install new concrete driveway apron as specified herein including but not limited to: subgrade preparation; installation; cleaning; protective measures to include fences, barricades, or other measure necessary to prevent vehicles and pedestrians from entering freshly poured pavement areas.

Miscellaneous Concrete Work

The unit price bid per cubic yard for this item shall include installation of concrete, including but not limited to: excavation; hauling; backfill and compaction; sheeting and shoring; formwork; joint filler; furnishing and placement of concrete.

24" Standard Curb & Gutter

The quantity to be paid for under this item will be the actual number of linear feet of concrete 24 inch standard curb and gutter installed as verified by the City. The unit price bid for this item will be full compensation required to install new standard concrete curb and gutter as specified herein including but not limited to: subgrade preparation; installation; cleaning; protective measures to include fences, barricades, or other measure necessary to prevent vehicles and pedestrians from entering freshly poured pavement areas.

ABC Stone

The quantity to be paid for under this item will be the actual number of tons of aggregate base course in place and as accepted by the City. The unit price bid per ton for this item shall be full compensation for all labor, hauling, materials, tools, equipment, supervision and incidentals required to furnish and install aggregate base course.

Class B Rip-Rap

The quantity which will be paid for under this item will be the number of tons of Class B riprap delivered and installed. The unit price bid per cubic yards for this Item will be full compensation for all labor, materials, tools, equipment, supervision and incidentals required to furnish and install Class B riprap; including but not limited to: riprap; filter fabric and placement.

#57 Stone

The quantity which will be paid for under this item will be the number of tons of #57 Stone delivered and installed. The unit price bid per ton for this Item will be full compensation for all

labor, materials, tools, equipment, supervision and incidentals required to furnish and install #57 Stone; including but not limited to: stone; filter fabric and placement.

Select Fill

The quantity which will be paid for under this item will be the number of cubic yards of select fill delivered and installed. Material used for the backfill for pipe installation. Includes furnishing all materials and performing grading, compaction, proof rolling, staking and excavation of sub-grade within right-of-way, private drives, parking lots, and grassed areas.

Swale Excavation & Grading

The quantity to be paid for under this item will be the linear feet measured along the swale after the swale excavation and grading. The unit price bid per linear foot for this item shall be full compensation to perform swale excavation and grading as specified herein including: excavation of swales to the lines and grades; hauling excavated materials anywhere along the project; temporary stockpiling of excavated materials and temporary stockpile stabilization; drainage and dewatering; rough and fine grading.

3" Type S9.5B Asphalt Surface Coarse

This item shall include the placement of bituminous concrete surface course, Type S9.5B, to final grade. The compensation will include the placement and rolling of the surface course. Payment will be made ton of pavement installed.

Remove and Dispose of Asphalt Pavement

The quantity to be paid for under this item will be the actual number of square yards of asphalt removed and disposed of properly. Removal of existing asphalt pavement will be measured by actual surface measurement prior to removal. The unit price bid per square yard for this item shall be full compensation required to excavate, remove and dispose of asphalt pavement including but not limited to: saw cutting of pavement; breaking up; removal and proper disposal of the asphalt pavement

Remove and Dispose of Concrete Driveway, Sidewalks, Curb & Gutter

The quantity to be paid for under this Item will be the actual number of square yards of concrete driveways, sidewalks and curb & gutter removed and disposed of properly. The unit price bid per linear foot for this item will be full compensation required to remove and dispose of existing concrete driveways, sidewalks and curb & gutter including but not limited to: saw cutting; breaking up; removal; hauling; proper disposal of the concrete; and all else incidental thereto for which separate payment is not provided.

Remove and Replace Wood Fencing

The quantity to be paid for under this item will be the actual number of linear foot of wood fencing removed, stored, and reset as required. The unit price bid per linear foot for this item shall be full compensation required to furnish all materials, labor and equipment and storage areas required to remove, store, and reset wood fencing, including but not limited to; removal; storage; protection and security; hardware; hauling and proper disposal.

Remove and Replace Chain Link Fencing

The quantity to be paid for under this item will be the actual number of linear foot of chain link fence removed, stored, and reset as required. The unit price bid per linear foot for this item shall be full compensation required to furnish all materials, labor and equipment and storage areas required to remove, store, and reset chain link fence, including but not limited to; removal; storage; protection and security; hardware; hauling and proper disposal.

Construction Fencing and/or Tree Protection Fencing

The quantity to be paid for under this item will be the actual number of linear feet of construction and/or tree protection fencing installed. The unit price bid per linear foot shall be full compensation required to furnish and install the construction and/or tree protection fence as specified herein, including but not limited to: all labor, materials, and supervision; fabric, posts, braces, hardware, tools, equipment; removal and proper disposal of all fence materials when directed by the City.

Pipe Removal and Disposal (15" to 36")

The quantity to be paid for under this item will be the actual number of linear feet of existing 15 to 36-inch RCP, CMP, Aluminum, HDPE or plastic pipe removed and disposed of properly in trenches where new pipe is not being installed. The unit price bid per linear foot for this item shall include proper removal and disposal of the existing 15 to 36-inch pipe to the limits as indicated by the City, including but not limited to: excavation; temporary stockpiling of suitable backfill material and temporary stabilization of stockpiles; placement and compaction of suitable backfill material; onsite hauling; proper disposal of removed pipe sections; bypass pumping of stormwater flows as necessary; trench dewatering.

Temporary Silt Fence

The quantity to be paid for under this item will be the actual number of linear feet of silt fence installed. The unit price bid per linear foot shall be full compensation required to furnish, construct, maintain and remove temporary silt fence in locations that require surface drainage to be filtered, including but not limited to: all labor, materials, and supervision; fabric, posts, braces, hardware, tools, equipment; removal and proper disposal of all fence materials when directed by the City.

Inlet Protection

The quantity to be paid for under this item will be the actual gravel drop inlet protection devices installed. The unit price bid each, for this item shall be full compensation required to furnish, install, maintain and remove gravel drop inlet protection device as specified herein including but not limited to hauling and placement, filter stone; maintenance; removal and proper disposal of all materials when directed by the City

Seeding and Mulching

Perform finish grading and seed and mulch any disturbed areas to match conditions prior to any rehabilitation or repair work completed. Restoration must occur prior to project completion. Any irrigation repairs will be separate from this item. If irrigation does not exist, contractor shall water daily for 14 consecutive days where sod is installed. Payment will be made per acre of area seeded.

Temporary Traffic Control

Temporary Traffic Control will be paid for each project site that lane closures are necessary. Temporary traffic control work, including but not limited to installation and removal of portable signs, cones, drums skinny drums, flaggers AFAD's, changeable message boards, truck mounted attenuators, and flashing arrow boards will be paid at the contract price for each day the Temporary Traffic Control is used. All traffic controls will be provided in accordance with the Manual for Uniform Traffic Control Devices (MUTCD) or NCDOT Standard Drawings for Road Construction requirements. Contractors are responsible for leaving work areas safe to motorists and pedestrians during non-working hours. Adequate provisions shall be made for the protection of traffic at all times.

Traffic Control (Road Closed/ Detour)

This item shall require the Contractor to furnish, install, maintain, relocate and remove temporary traffic control devices required to close a road and detour traffic. A detour plan must be submitted to the City's Traffic Engineer at least two weeks in advance of a planned closure. This item will be paid for each day that traffic control is in place for a detour. All traffic controls will be provided in accordance with the Manual for Uniform Traffic Control Devices (MUTCD) or NCDOT Standard Drawings for Road Construction requirements. Contractors are responsible for leaving work areas safe to motorists and pedestrians during non-working hours. Adequate provisions shall be made for the protection of traffic at all times.

ADDITIONAL WORK AND CONTACT WITH PROPERTY OWNERS

No additional work or deviation from the original work shall be allowed without written approval from the Engineer. All contact with property owners shall be through the Project Inspector. Work requested by the property owner, which is not part of the approved work/specifications, must be contracted between the property owner and the contractor. Any additional work by the contractor for the homeowner shall not be done until all City work has been completed and accepted. The contractor shall not suggest or recommend additional work to the property owners during the performance of the work contracted with the City.

City of Greenville Contract Bid Form

ON CALL PIPE REPAIR PROJECT

ITEM	DESCRIPTION	QUANTITY	UNIT	UNIT PRICE	TOTAL UNIT BID
1	Mobilization (3% Max)	1	LS		
2	15" RCP Class III	175	LF		
3	18" RCP Class III	340	LF		
4	24" RCP Class III	465	LF		
5	30" RCP Class III	550	LF		
6	36" RCP Class III	270	LF		
7	18" HPP	270	LF		
8	30" HPP	200	LF		
9	36" HPP	163	LF		
10	36" Dual Wall HDPE-WT	196	LF		
11	36" Dual Wall HDPE-WT FES	1	EA		
12	2' x 3' Catch Basin With Frame & Grate (0 - 4' In Depth)	11	EA		
13	2' x 3' Catch Basin With Frame & Grate (4'-10' In Depth)	6	EA		
14	4' x 4' Catch Basin With Frame & Grate (4'-10' In Depth)	4	EA		
15	2' x 3' Drop Inlet With Frame & Grate (0- 4' In Depth)	2	EA		
16	2' x 3' Drop Inlet With Frame & Grate (4'-10' In Depth)	1	EA		
17	4' x 4' Drop Inlet With Frame & Grate (4'-10' In Depth)	1	EA		
18	Basin W/Manhole Frame & Cover (0 - 4' Depth)	4	EA		
19	Basin W/Manhole Frame & Cover (4' - 10' Depth)	4	EA		
20	Point Repair To 8 Feet In Depth	5	EA		
21	4" Sidewalk	360	LF		

ITEM	DESCRIPTION	QUANTITY	UNIT	UNIT PRICE	TOTAL UNIT BID
22	Concrete Driveway Apron	25	SY		
23	Miscellaneous Concrete Work	40	CY		
24	24" Standard Curb & Gutter	845	LF		
25	36" NCDOT Headwall	1	EA		
26	ABC Stone	700	TN		
27	Class B Rip-Rap	26	TN		
28	#57 Stone	250	TN		
29	Select Fill	3055	CY		
30	Swale Excavation & Grading	150	LF		
31	3" Type S9.5C Asphalt Surface Coarse	376	TN		
32	Remove and Dispose of Asphalt Pavement	150	SY		
33	Remove and Dispose of Concrete Driveway, Sidewalks, Curb & Gutter	900	SY		
34	Remove and Replace Wood Fencing	40	LF		
35	Remove and Replace Chain Link Fencing	40	LF		
36	Construction Fencing and/or Tree Protection Fencing	1200	LF		
37	Pipe Removal and Disposal (15" to 36")	100	LF		
38	Temporary Silt Fence	1360	LF		
39	Inlet Protection	20	EA		
40	Seeding and Mulching	6	AC		
41	Sod	1500	SF		
42	Traffic Control (Road Closure/Detour)	78	DAY		
43	Traffic Control (Temporary)	30	DAY		
	Total Base Bid				

ACKNOWLEDGE OF RECEIPT OF ADDENDUM. _____

Contractor _____ License No. _____

Contact Name _____ Contact Telephone No. _____

Address _____ Date _____

INTENTIONALLY LEFT BLANK

NONCOLLUSION AFFIDAVIT OF PRIME BIDDER

State of (_____)

County of (_____)

_____, being first duly sworn, deposes and says that:

(1) He is _____ of _____, the Bidder that has submitted the attached Bid.

(2) He is fully informed respecting the preparation and contents of the attached Bid and of all pertinent circumstances respecting such Bid;

(3) Such Bid is genuine and is not a collusive or sham Bid;

(4) Neither the said Bidder nor any of its officers, partners, owners, agents, representatives, employees of parties in interest, including this affiant, has in any way colluded, conspired, connived, or agreed, (directly or indirectly) with any other Bidder, firm, or person to submit a collusive or sham Bid in connection with the Contract for which the attached Bid has been submitted or to refrain from bidding in connection with such Contract, or has in any manner, directly or indirectly, sought by agreement, or collusion, or communication, or conference with any other Bidder, firm, or person to fix the price or prices in the attached Bid or of any other Bidder, or to fix any overhead, profit or cost element of the Bid price or the Bid price of any other Bidder, or to secure through any collusion, conspiracy, connivance, or unlawful agreement any advantage against the City of Greenville or any person interested in the proposed Contract; and

(5) The price or prices quoted in the attached Bid are fair and proper and are not tainted by any collusion, conspiracy, connivance, or unlawful agreement on the part of the Bidder or any of its agents, representatives, owners, employees, or parties in interest, including this affiant.

(Contractor Signature) _____

(Title) _____

Subscribed and sworn to before me this ___ day of _____, 201__.

Signature of Notary Public _____

My commission expires _____.

ATTACH TO BID ATTACH TO BID ATTACH TO BID ATTACH TO BID
AGREEMENT

THIS AGREEMENT is dated as of the ____ day of _____ in the year **201** by and between the **City of Greenville, NC** (hereinafter called OWNER) and _____ (hereinafter called CONTRACTOR). OWNER and CONTRACTOR, in consideration of the mutual covenants hereinafter set forth, agree as follows:

Article 1. WORK.

CONTRACTOR shall complete all Work as specified or indicated in the Contract Documents. The Work is generally described as follows:

2019 Stormwater Pipe Repair Project

Article 2. ENGINEER.

The Project has been designed by the City of Greenville, Public Works Department, who is hereinafter called ENGINEER and who is to act as OWNER'S representative, assume all duties and responsibilities and have the rights and authority assigned to ENGINEER in the Contract Documents in connection with completion of the Work in accordance with the Contract Documents.

Once the Notice of Award has been issued, the OWNER may assume all or part of the responsibilities of the ENGINEER and RESIDENT PROJECT REPRESENTATIVE.

Article 3. CONTRACT TIMES.

3.1 The Work will be completed and ready for final payment in accordance with paragraph 14.07 of the General Conditions within the times specified below:

Total Contract Completion Time Base Bid – 365 Calendar Days

The Contract Times shall commence to run as provided in paragraph 2.03 of the General Conditions.

3.2 Liquidated Damages. OWNER and CONTRACTOR recognize that time is of the essence of this Agreement and the OWNER will suffer financial loss if the Work is not completed within the times specified in the BID, plus any extensions thereof allowed in accordance with Article 12 of the General Conditions. They also recognize the delays, expense and difficulties involved in proving the actual loss suffered by OWNER if the Work is not completed on time. Accordingly, instead of requiring any such proof, OWNER and CONTRACTOR agree that as liquidated damages for delay (but not as a penalty) CONTRACTOR shall pay OWNER INSERT AMOUNT Dollars (\$150.00) for each day that expires after the time specified in paragraph 3.1.

Article 4. CONTRACT PRICE.

OWNER shall pay CONTRACTOR for completion of the Work in accordance with the Contract Documents an amount in current funds equal to the sum of the amounts determined pursuant to paragraphs 4.1 and 4.2 below:

4.1 For all Work other than Unit Price Work, a Lump Sum as shown in the BID.

All specific cash allowances are included in the BID and have been computed in accordance with paragraph 11.02 of the General Conditions.

plus

4.2 For all Unit Price Work, an amount equal to the sum of the established unit price for each separately identified item of Unit Price Work times the estimated quantity of that item as indicated in the BID.

As provided in paragraph 11.03 of the General Conditions estimated quantities are not guaranteed, and determinations of actual quantities and classification are to be made by ENGINEER as provided in paragraph 9.08 of the General Conditions. Unit prices have been computed as provided in paragraph 11.03 of the General Conditions.

Article 5. PAYMENT PROCEDURES.

5.1 Applications for Payment by the CONTRACTOR, processing of same by the ENGINEER and OWNER, and associated retainage shall be as set forth in the Standard Special Provisions.

Article 6. INTEREST.

Pursuant to paragraph 143-134.1, General Statutes of North Carolina, the balance due prime Contractors shall be paid in full within 45 days after respective prime contracts have been accepted by Engineer and Owner, or occupied by Owner and used for the purpose for which the project was constructed, whichever occurs first. Provided, however, that whenever Engineer determines that delay in completion of the project in accordance with terms of the Drawings and Specifications is the fault of Contractor, the project may be occupied and used for the purposes for which it was constructed without payment of any interest on amounts withheld past the 45 day limit. No payment shall be delayed because of the failure of another prime Contractor on such project to complete his contract. Should final payment to any prime Contractor beyond the date such contracts have been declared to be completed by Engineer, accepted by Owner, or occupied by Owner and used for the purposes for which the project was constructed, be delayed by more than 45 days, said prime Contractor shall be paid interest, beginning on the 46th day, at the rate of twelve percent per annum on such unpaid balance as may be due. Where a conditional acceptance of a contract exists, and where Owner is retaining a reasonable sum pending correction of such conditions, interest on such reasonable sum shall not apply.

Article 7. CONTRACTOR'S REPRESENTATIONS.

In order to induce OWNER to enter into this Agreement CONTRACTOR makes the following representations:

7.1 CONTRACTOR has examined and carefully studied the Contract Documents (including the Addenda listed in paragraph 8) and the other related data identified in the Bidding Documents including "technical data."

7.2 CONTRACTOR has visited the site and become familiar with and is satisfied as to the general, local and site conditions that may affect cost, progress, performance or furnishing of the Work

7.3 CONTRACTOR is familiar with and is satisfied as to all federal, state and local Laws and Regulations that may affect cost, progress, performance and furnishing of the Work.

7.4 CONTRACTOR has carefully studied all reports of explorations and tests of subsurface conditions at or contiguous to the site and all drawings of physical conditions in or relating to existing surface or subsurface structures at or contiguous to the site (except Underground Facilities) which have been identified in the Supplementary Conditions as provided in paragraph 4.02 of the General Conditions. CONTRACTOR accepts determination set forth in paragraph SC - 4.02 of the Supplementary Conditions of the extent of the "technical data" contained in such reports and drawings upon which CONTRACTOR is entitled to rely as provided in paragraph 4.02 of the General Conditions. CONTRACTOR acknowledges that such reports and drawings are not Contract Documents and may not be complete for CONTRACTOR's purposes. CONTRACTOR acknowledges that OWNER and ENGINEER do not assume responsibility for the accuracy or completeness of information and data shown or indicated in the Contract Documents with respect to Underground Facilities at or contiguous to the site. CONTRACTOR has obtained and carefully studied (or assumes responsibility for having done so) all such additional supplementary examinations, investigations, explorations, tests, studies and data concerning conditions (surface, subsurface and Underground Facilities) at or contiguous to the site or otherwise which may affect cost, progress, performance or furnishing of the Work or which relate to any aspect of the means, methods, techniques, sequences and procedures of construction to be employed by CONTRACTOR and safety precautions and programs incident thereto. CONTRACTOR does not consider that any additional examinations, investigations, explorations, tests, studies or data are necessary for the performance and furnishing of the Work at the Contract Price, within the Contract Times and in accordance with the other terms and conditions of the Contract Documents.

7.5 CONTRACTOR is aware of the general nature of work to be performed by OWNER and others at the site that relates to the Work as indicated in the Contract Documents.

7.6 CONTRACTOR has correlated the information known to CONTRACTOR, information and observations obtained from visits to the site, reports and drawings identified in the Contract Documents and all additional examinations, investigations, explorations, tests, studies and data with the Contract Documents.

7.7 CONTRACTOR has given ENGINEER written notice of all conflicts, errors, ambiguities or discrepancies that CONTRACTOR has discovered in the Contract Documents and the written resolution thereof by ENGINEER is acceptable to CONTRACTOR, and the Contract Documents are generally sufficient to indicate and convey understanding of all terms and conditions for performance and furnishing of the Work.

Article 8. CONTRACT DOCUMENTS.

The Contract Documents, which comprise the entire agreement between OWNER and CONTRACTOR concerning the Work, consist of the following:

- 8.1 This Agreement.
- 8.2 Exhibits to this Agreement:
 - a. Certificate of Insurance.
- 8.3 Performance, Payment, and/or other Bonds

- 8.4 Notice to Proceed.
- 8.5 General Conditions.
- 8.6 Supplementary Conditions.
- 8.7 Project Special Provisions
- 8.8 Iran Divestment Act Statement
- 8.9 Specifications bearing the title **2019 Stormwater Pipe Repair Project**.
- 8.10 Addenda numbers (_____) inclusive.
- 8.11 CONTRACTOR's Bid Form.
- 8.12 Minority/Women Business Enterprise documentation submitted by CONTRACTOR with the Bid Proposal.
- 8.13 The following which may be delivered or issued after the Effective Date of the Agreement and are not attached hereto: All Written Amendments and other documents amending, modifying or supplementing the Contract Documents pursuant to paragraph 3.04 of the General Conditions.

The documents listed in paragraphs 8.2 et seq. above are attached to this Agreement (except as expressly noted otherwise above).

There are no Contract Documents other than those listed above in this Article 8. The Contract Documents may only be amended, modified or supplemented as provided in paragraph 3.04 of the General Conditions.

Article 9. MISCELLANEOUS.

- 9.1. Terms used in this Agreement, which are defined in Article 1 of the General Conditions, will have the meanings indicated in the General Conditions.
- 9.2. No assignment by a party hereto of any rights under or interests in the Contract Documents will be binding on another party hereto without the written consent of the party sought to be bound; and, specifically but without limitation, moneys that may become due and moneys that are due may not be assigned without such consent (except to the extent that the effect of this restriction may be limited by law), and unless specifically stated to the contrary in any written consent to an assignment no assignment will release or discharge the assignor from any duty or responsibility under the Contract Documents.
- 9.3. OWNER and CONTRACTOR each binds itself, their partner, successors, assigns and legal representatives to the other party hereto, their partner, successors, assigns and legal representatives in respect to all covenants, agreements and obligations contained in the Contract Documents.
- 9.4 Any provision or part of the Contract Documents held to be void or unenforceable under any Law or Regulation shall be deemed stricken, and all remaining provisions shall continue to be valid and binding upon OWNER and CONTRACTOR, who agree that the Contract Documents shall be reformed

to replace such stricken provision or part thereof with a valid and enforceable provision that comes as close as possible to expressing the intention of the stricken provision.

9.5 E-Verify Compliance:

By submitting a proposal, BIDDER acknowledges that compliance with the requirements of Article 2 of Chapter 64 of the North Carolina General Statutes is required by the Contractor and its Subcontractors by North Carolina law and the provisions of the Contract Documents. The BIDDER represents that the BIDDER and its Subcontractors are in compliance with the requirements of Article 2 of Chapter 64 of the North Carolina General Statutes. Article 2 of Chapter 64 of the North Carolina General Statutes requires employers, that transact business in the State of North Carolina and employ 25 or more employees in the State of North Carolina, to electronically verify the legal employment status of an employee through the federal E-Verify program after hiring the employee to work in the State of North Carolina.

9.6 A project shall be performed as services under a specific Task Order. A Task Order will include (See Exhibit A):

1. A cover sheet that includes the scope of the Task Order, any special conditions that may be associated with the Task Order, the work location and the anticipated start and end date of the Task Order.
2. A bid form for the Task Order with including the line items for the Task Order with the unit prices of submitted by Trader Construction Company in the 2017 Stormwater Pipe Repair Project Number PWD -2017-009.
3. A signature page for the City of Greenville and Trader Construction Company to sign for agreement on the details of the Task Order which will also act as the Notice to Proceed for each Task Order.

9.7 The Task Order project period shall be a number of days established by the OWNER in consultation with the CONTRACTOR to complete the Task Order.

9.8 Payment will be made on the basis of the actual quantities satisfactorily completed for each Task Order in accordance with the Contract requirements.

9.9 CONTRACTOR shall furnish all labor, materials, tools personal protective equipment, and equipment necessary inspect and repair all features of the stormwater infrastructure in a safe, timely and workmanlike manner. All equipment must be in a good state of repair and maintained in such good state during the progress of the work. No worn or obsolete equipment shall be used and in no case shall the maker's rating capacity for any equipment be exceeded.

9.10 All work performed, methods and equipment used shall be in conformance with prevailing State and Federal Occupational Safety and Health Act. Cost from delays and losses due to operations not in conformance to these acts, specifications or stoppages by OSHA inspectors or the designated representative, as a result of non-compliance, shall be solely borne by the CONTRACTOR.

9.11 All pipes, manholes, basins and inlets shall be treated as confined spaces. The entry of manholes shall be avoided when possible. Use of mechanical devices or equipment to remove materials from pipelines and manholes should be utilized whenever possible. If entry to confined spaces is necessary, all OSHA and title 8 requirements shall be followed. The CONTRACTOR is required to operate and maintain their safety equipment and is responsible for all safety training for their crew. The CONTRACTOR shall never leave an open maintenance hole unattended. The CITY may make unannounced inspections to ensure compliance with the safety requirements. If CONTRACTOR is deemed to be working in an unsafe manner by the CITY, the contract may be terminated.

9.12 CONTRACTOR shall be solely responsible for the traffic and/or pedestrian control and protection of public and private properties .The CONTRACTOR shall be responsible for the protection of public and private property adjacent to the work site and shall exercise due cation to avoid damage to such property. The CONTRACTOR shall repair or replace all existing improvements within the adjacent work sites which are damaged or removed as a result of the CONTRACTOR'S operations. In the event that there is an accident, either vehicular, personal or property damage, a CITY representative shall be immediately notified. The CONTRACTOR shall furnish all traffic and/or pedestrian safety devices at their own expense.

IN WITNESS WHEREOF, OWNER and CONTRACTOR have signed this Agreement in triplicate. One counterpart each has been delivered to OWNER, CONTRACTOR and ENGINEER. All portions of the Contract Documents have been signed, initialed or identified by OWNER and CONTRACTOR or identified by ENGINEER on their behalf.

CITY OF GREENVILLE

BY _____

BY _____

NAME _____

NAME _____

TITLE _____

TITLE _____

(CORPORATE SEAL)

(CORPORATE SEAL)

Attest _____

Attest _____

TITLE CITY CLERK

TITLE _____

Address for giving notices

Address for giving notices

PO Box 7207

Greenville, NC 27835-7207

License No. _____

Employer Identification Number _____

APPROVED AS TO FORM

Emanuel McGirt, City Attorney

PRE AUDIT CERTIFICATION

This instrument has been pre-audited in the manner required by the Local Government Budget and Fiscal Control Act.

Bernita Demery, Director of Financial Services

Account Number(s) _____

Project Code (if applicable) _____

INTENTIONALLY LEFT BLANK

NORTH CAROLINA
TAX STATEMENT AND CERTIFICATION

This is to certify that the foregoing or attached statements are a true and complete statement of all State and County Sales or Use Tax paid by the undersigned contractor from _____, 20__, to _____, 20__, inclusive for the materials and equipment that were or will become a part of the construction of the **2019 Stormwater Pipe Repair Project**.

(THE FOLLOWING PORTION TO BE FILLED OUT BY GENERAL CONTRACTOR ONLY.)

It is further certified that _____

Are all of the subcontractors that are, or were engaged by the contractor in the performance of this contract and whose tax statements are also enclosed herewith.

CONTRACTOR OR SUBCONTRACTOR

Sworn and subscribed before me

This _____ day of _____, 20__

NOTARY PUBLIC

My Commission Expires: _____

INTENTIONALLY LEFT BLANK

ATTACH TO BID

ATTACH TO BID

ATTACH TO BID

ATTACH TO BID

BID BOND

KNOW ALL MEN BY THESE PRESENTS: that we, the undersigned, _____ as Principal, and _____ as Surety, are hereby held and firmly bound unto _____ as OWNER in the penal sum of _____ for payment of which, well and truly to be made, we hereby jointly and severally bind ourselves, successors and assigns.

Signed, this _____ day of _____, 201__.

The Condition of the above obligation is such that whereas the Principal has submitted to

_____ a certain BID, attached hereto and hereby made a part hereof to enter into a contract in writing, for the _____

NOW, THEREFORE,

(a) If said BID shall be rejected, or

(b) If said BID shall be accepted and the Principal shall execute and deliver a contract in the Form of Contract attached hereto (properly completed in accordance with said BID) and shall furnish a BOND for his faithful performance of said contract, and for the payment of all persons performing labor or furnishing materials in connection therewith, and shall in all other respects perform the agreement created by the acceptance of said BID, then this obligation shall be void, otherwise the same shall remain in force and effect; it being expressly understood and agreed that the liability of the Surety for any and all claims hereunder shall, in no event, exceed the penal amount of this obligation as herein stated.

The Surety, for value received, hereby stipulates and agrees that the obligations of said Surety and its BOND shall be in no way impaired or affected by any extension of the time within which the OWNER may accept such BID; and said Surety does hereby waive notice of any such extension.

IN WITNESS WHEREOF, the Principal and the Surety have hereunto set their hands and seals, and such of them as are corporations have caused their corporate seals to be hereto affixed and these presents to be signed by their proper officers, the day and year first set forth above.

_____(L.S.)
Principal

Surety

By: _____

IMPORTANT - Surety companies executing BONDS must appear on the Treasury Department's most current list (Circular 570 as amended) and be authorized to transact business in the State where the project is located.

PAYMENT BOND

KNOW ALL PERSONS BY THESE PRESENTS: that

(Name of Contractor)

(Address of Contractor)

a _____, (Corporation, Partnership, or Individual) hereinafter called PRINCIPAL, and

(Name of Surety)

(Address of Surety)

hereinafter called SURETY, are held and firmly bound unto

City of Greenville Public Works Department
1500 Beatty Street
Greenville, NC 27834

hereinafter called OWNER, and unto all persons, firms, and corporations who or which may furnish labor, or who furnish materials to perform as described under the Contract and to their successors and assigns in the total aggregate penal sum of _____

_____ Dollars (\$ _____) in lawful money of the United States, for the payment of which sum well and truly to be made, we bind ourselves, our heirs, executors, administrators, successors, and assigns, jointly and severally, firmly by these presents.

THE CONDITION OF THIS OBLIGATION is such that whereas, the PRINCIPAL entered into a certain contract with the OWNER, dated the _____ day of _____, 201____, a copy of which is hereto attached and made a part hereof for the construction of: City of Greenville,

2019 Stormwater Pipe Repair Project

NOW, THEREFORE, if the PRINCIPAL shall promptly make payment to all persons, firms, subcontractors, and corporations furnishing materials for or performing labor in the prosecution of the WORK provided for in such contract, and any authorized extensions or modification thereof, including all amounts due for materials, lubricants, oil, gasoline, coal and coke, repairs on machinery, equipment and tools, consumed or used in connection with the construction of such WORK, and for all labor cost incurred in such WORK including that by a SUBCONTRACTOR, and to any mechanic or material man

lien holder whether it acquired its lien by operation of State or Federal law; then this obligation shall be void, otherwise to remain in full force and effect.

PROVIDED, that beneficiaries or claimants hereunder shall be limited to the SUBCONTRACTORS, and persons, firms, and corporations having a direct contract with the PRINCIPAL or its SUBCONTRACTORS.

PROVIDED, FURTHER, that the said SURETY for value received hereby stipulates and agrees that no change, extension of time, alteration or addition to the terms of the contract or to the WORK to be performed hereunder or the SPECIFICATIONS accompanying the same shall in any way affect its obligation on the BOND, and it does hereby waive notice of any such change, extension of time, alteration or addition to the terms of this contract or to the WORK or to the SPECIFICATIONS.

PROVIDED, FURTHER, that no suit or action shall be commenced hereunder by any claimant; (a) Unless claimant, other than one having a direct contract with the PRINCIPAL, shall have given written notice to any two of the following: The PRINCIPAL, the OWNER, or the SURETY above named within ninety (90) days after such claimant did or performed the last of the work or labor, or furnished the last of the materials for which said claim is made, stating with substantial accuracy the amount claimed and the name of the party to whom the materials were furnished or for whom the work or same by registered mail or certified mail, postage prepaid, in an envelope address to the PRINCIPAL, OWNER, or SURETY, at any place where an office is regularly maintained for the transaction of business, or served in any manner in which legal process may be served in the state in which the aforesaid project is located, save that such service need not be made by a public officer. (b) After the expiration of one (1) year following the date of which PRINCIPAL ceased work on said CONTRACT, it being understood, however that if any limitation embodied in the BOND is prohibited by any law controlling the construction hereof, such limitation shall be deemed to be amended so as to be equal to the minimum period of limitation permitted by such law.

PROVIDED, FURTHER, that it is expressly agreed that the BOND shall be deemed amended automatically and immediately, without formal and separate amendments hereto, upon amendment to the CONTRACT not increasing the contract price more than 20 percent, so as to bind the PRINCIPAL and the SURETY to the full and faithful performance of the CONTRACT as so amended. The term "Amendment", wherever used in this BOND, and whether referring to this BOND of the Contract shall include any alteration addition, extension, or modification of any character whatsoever. PROVIDED, FURTHER, that no final settlement between the OWNER and the CONTRACTOR shall abridge the right of the other beneficiary hereunder, whose claim may be unsatisfied.

IN WITNESS WHEREOF, this instrument is executed in 3 counterparts, each one of which shall be deemed an original, this the ____ day of _____, 201__.

ATTEST:
Principal

(Principal Secretary)

BY _____(s)

(Address)
(SEAL)

(Witness as to Principal)

(Address)

(Surety)
ATTEST:

(Witness as to Surety)

By _____
(Attorney-in-Fact)

(Address)

(Address)

NOTE: Date of BOND must not be prior to date of Contract.

If CONTRACTOR is partnership, all partners should execute BOND. IMPORTANT: Surety companies executing BONDS must appear on the Treasury Department's most current list (Circular 570 as amended) and be authorized to transact business in the State where the Project is located.

INTENTIONALLY LEFT BLANK

PERFORMANCE BOND

KNOW ALL PERSONS BY THESE PRESENTS: that

(Name of Contractor)

(Address of Contractor)

a _____, (Corporation, Partnership, or Individual) hereinafter called PRINCIPAL, and

(Name of Surety)

(Address of Surety)

hereinafter called SURETY, are held and firmly bound unto

City of Greenville Public Works Department
1500 Beatty Street
Greenville, NC 27834

hereinafter called OWNER, in the total aggregate penal sum of _____

_____ Dollars (\$ _____) in
lawful money of the United States, for the payment of which sum well and truly to be made, we bind
ourselves, our heirs, executors, administrators, successors, and assigns, jointly and severally, firmly by
these presents.

THE CONDITION OF THIS OBLIGATION is such that whereas, the PRINCIPAL entered into a certain
contract with the OWNER, dated the _____ day of _____, 201 ____,
a copy of which is hereto attached and made a part hereof for the construction of:

2019 Stormwater Pipe Repair Project

NOW, THEREFORE, if the PRINCIPAL shall well, truly and faithfully perform its duties, all the
undertakings, covenants, terms, conditions, and agreements of said contract during the original term
thereof, and any extensions thereof which may be granted by the OWNER, with or without notice to the
SURETY and during the one year guaranty period and if the PRINCIPAL shall satisfy all claims and
demands incurred under such contract, and shall fully indemnify and save harmless the OWNER from all
costs and damages which it may suffer by reason of failure to do so, and shall reimburse and repay the
OWNER all outlay and expense which the OWNER may incur in making good any default, then this
obligation shall be void, otherwise to remain in full force and effect.

PROVIDED, FURTHER, that the said surety, for value received hereby stipulates and agrees that no
change, extension of time, alteration or addition to the terms of the contract or to WORK to be performed
there under or the SPECIFICATIONS accompanying same shall in any way affect its obligation on this

BOND, and it does hereby waive notice of any such change, extension of time, alteration or addition to the terms of the contract or to the WORK or to the SPECIFICATIONS.

PROVIDED, FURTHER, that it is expressly agreed that the BOND shall be deemed amended automatically and immediately, without formal and separate amendments hereto, upon amendment to the Contract not increasing the contract price more than 20 percent, so as to bind the PRINCIPAL and the SURETY to the full and faithful performance of the CONTRACT as so amended. The term "Amendment", wherever used in this BOND, and whether referring to this BOND of the Contract shall include any alteration addition, extension, or modification of any character whatsoever. PROVIDED, FURTHER, that no final settlement between the OWNER and the PRINCIPAL shall abridge the right of the other beneficiary hereunder, whose claim may be unsatisfied. The OWNER is the only beneficiary hereunder.

IN WITNESS WHEREOF, this instrument is executed in _____ (Number) counterparts, each one of which shall be deemed an original, this the _____ day of _____, 201__.

ATTEST:
Principal

(Principal Secretary)

By _____ (s)

(Address)
(SEAL)

(Witness as to Principal)

(Address)

(Surety)

ATTEST:

(Witness as to Surety)

By _____
(Attorney-in-Fact)

(Address)

(Address)

NOTE: Date of BOND must not be prior to date of Contract. If CONTRACTOR is partnership, all partners should execute BOND. IMPORTANT: Surety companies executing BONDS must appear on the Treasury Department's most current list (Circular 570 as amended) and be authorized to transact business in the State where the Project is located.

CERTIFICATE OF INSURANCE

(SUBSTITUTE CERTIFICATE OF INSURANCE HERE)

INTENTIONALLY LEFT BLANK

**City of Greenville/Greenville Utilities Commission
Minority and Women Business Enterprise (MWBE) Program**

**City of Greenville
Construction Guidelines and Affidavits
\$100,000 and above**

These instructions shall be included with each bid solicitation.

City of Greenville/Greenville Utilities Commission Minority and Women Business Enterprise Program

\$100,000 and Construction Guidelines for MWBE Participants

Policy Statement

It is the policy of the City of Greenville and Greenville Utilities Commission to provide minorities and women equal opportunity for participating in all aspects of the City’s and Utilities’ contracting and procurement programs, including but not limited to, construction projects, supplies and materials purchases, and professional and personal service contracts.

Goals and Good Faith Efforts

Bidders responding to this solicitation shall comply with the MWBE program by making Good Faith Efforts to achieve the following aspiration goals for participation.

	CITY	
	MBE	WBE
Construction This goal includes Construction Manager at Risk.	10%	6%

Bidders shall submit MWBE information with their bids on the forms provided. This information will be subject to verification by the City prior to contract award. **As of July 1, 2009, contractors, subcontractors, suppliers, service providers, or MWBE members of joint ventures intended to satisfy City MWBE goals shall be certified by the NC Office of Historically Underutilized Businesses (NC HUB) only.** Firms qualifying as “WBE” for City’s goals must be designated as a “women-owned business” by the HUB Office. Firms qualifying as “MBE” for the City’s goals must be certified in one of the other categories (i.e.: Black, Hispanic, Asian American, American Indian, Disabled, or Socially and Economically Disadvantaged). Those firms who are certified as both a “WBE” and “MBE” may only satisfy the “MBE” requirement. **Each goal must be met separately. Exceeding one goal does not satisfy requirements for the other.** A complete database of NC HUB certified firms may be found at <http://www.doa.nc.gov/hub/>. An internal database of firms who have expressed interest to do business with the City and GUC is available at www.greenvillenc.gov. However, the HUB status of these firms must be verified by the HUB database. The City shall accept NCDOT certified firms on federally funded projects only. Please note: A contractor may utilize any firm desired. However, for participation purposes, all MWBE vendors who wish to do business as a minority or female must be certified by NC HUB.

The Bidder shall make good faith efforts to encourage participation of MWBEs prior to submission of bids in order to be considered as a responsive bidder. Bidders are cautioned that even though their submittal indicates they will meet the MWBE goal, they should document their good faith efforts and be prepared to submit this information, if requested.

The MWBE’s listed by the Contractor on the **Identification of Minority/Women Business Participation** which are determined by the City to be certified shall perform the work and supply the materials for which they are listed unless the Contractors receive prior authorization from the City to perform the work with other forces or to obtain materials from other sources. If a contractor is proposing to perform all elements of the work with his own forces, he must be prepared to document evidence satisfactory to the owner of similar government contracts where he has self-performed.

Attach to Bid Attach to Bid Attach to Bid Attach to Bid Attach to Bid Attach to Bid Attach to Bid Attach to Bid
The Contractor shall enter into and supply copies of fully executed subcontracts with each MWBE or supply signed Letter(s) of Intent to the Project Manager after award of contract and prior to Notice to Proceed. Any amendments to subcontracts shall be submitted to the Project Manager prior to execution.

Instructions

The Bidder shall provide with the bid the following documentation:

- Identification of Minority/Women Business Participation
(if participation is zero, please mark zero—Blank forms will be considered nonresponsive)
- Affidavit A (if subcontracting)

OR

- Identification of Minority/Women Business Participation
(if participation is zero, please mark zero—Blank forms will be considered nonresponsive)
- Affidavit B (if self-performing; must attest that bidder does not customarily subcontract work on this type of project—includes supplies and materials)

Within 72 hours or 3 business days after notification of being the apparent low bidder who is subcontracting anything must provide the following information:

- Affidavit C (if aspirational goals are met or are exceeded)

OR

- Affidavit D (if aspirational goals are not met)

After award of contract and prior to issuance of notice to proceed:

- Letter(s) of Intent or Executed Contracts

****With each pay request, the prime contractors will submit the Proof of Payment Certification, listing payments made to MWBE subcontractors.**

*****If a change is needed in MWBE Participation, submit a Request to Change MWBE Participation Form. Good Faith Efforts to substitute with another MWBE contractor must be demonstrated.**

Minimum Compliance Requirements:

All written statements, affidavits, or intentions made by the Bidder shall become a part of the agreement between the Contractor and the City for performance of contracts. Failure to comply with any of these statements, affidavits or intentions or with the minority business guidelines shall constitute a breach of the contract. A finding by the City that any information submitted (either prior to award of the contract or during the performance of the contract) is inaccurate, false, or incomplete, shall also constitute a breach of the contract. Any such breach may result in termination of the contract in accordance with the termination provisions contained in the contract. It shall be solely at the option of the City whether to terminate the contract for breach or not. In determining whether a contractor has made Good Faith Efforts, the CITY will evaluate all efforts made by the Contractor and will determine compliance in regard to quantity, intensity, and results of these efforts.

MBForms 2002-
Revised July 2010
Updated 2015

Identification of Minority/Women Business Participation

I, _____
(Name of Bidder)

do hereby certify that on this project, we will use the following minority/women business enterprises as construction subcontractors, vendors, suppliers or providers of professional services.

Firm Name, Address and Phone #	Work type	*MWBE Category

*MWBE categories: Black, African American (**B**), Hispanic, Latino (**L**), Asian American (**A**) American Indian (**I**), Female (**F**) Socially and Economically Disadvantaged (**S**) Disabled (**D**)

If you will not be utilizing MWBE contractors, please certify by entering zero "0"

The total value of MBE business contracting will be (\$) _____.

The total value of WBE business contracting will be (\$) _____.

City of Greenville **AFFIDAVIT A** – Listing of Good Faith Efforts

County of _____

(Name of Bidder)

Affidavit of _____

I have made a good faith effort to comply under the following areas checked:

Bidders must earn at least 50 points from the good faith efforts listed for their bid to be considered responsive. (1 NC Administrative Code 30 I.0101)

- 1 – (10 pts)** Contacted minority businesses that reasonably could have been expected to submit a quote and that were known to the contractor, or available on State or local government maintained lists, at least 10 days before the bid date and notified them of the nature and scope of the work to be performed.
- 2 --(10 pts)** Made the construction plans, specifications and requirements available for review by prospective minority businesses, or providing these documents to them at least 10 days before the bids are due.
- 3 – (15 pts)** Broken down or combined elements of work into economically feasible units to facilitate minority participation.
- 4 – (10 pts)** Worked with minority trade, community, or contractor organizations identified by the Office of Historically Underutilized Businesses and included in the bid documents that provide assistance in recruitment of minority businesses.
- 5 – (10 pts)** Attended prebid meetings scheduled by the public owner.
- 6 – (20 pts)** Provided assistance in getting required bonding or insurance or provided alternatives to bonding or insurance for subcontractors.
- 7 – (15 pts)** Negotiated in good faith with interested minority businesses and did not reject them as unqualified without sound reasons based on their capabilities. Any rejection of a minority business based on lack of qualification should have the reasons documented in writing.
- 8 – (25 pts)** Provided assistance to an otherwise qualified minority business in need of equipment, loan capital, lines of credit, or joint pay agreements to secure loans, supplies, or letters of credit, including waiving credit that is ordinarily required. Assisted minority businesses in obtaining the same unit pricing with the bidder's suppliers in order to help minority businesses in establishing credit.
- 9 – (20 pts)** Negotiated joint venture and partnership arrangements with minority businesses in order to increase opportunities for minority business participation on a public construction or repair project when possible.
- 10 - (20 pts)** Provided quick pay agreements and policies to enable minority contractors and suppliers to meet cash-flow demands.

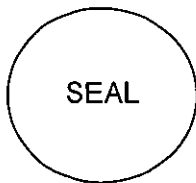
The undersigned, if apparent low bidder, will enter into a formal agreement with the firms listed in the Identification of Minority/Women Business Participation schedule conditional upon scope of contract to be executed with the Owner. Substitution of contractors must be in accordance with GS143-128.2(d) Failure to abide by this statutory provision will constitute a breach of the contract.

The undersigned hereby certifies that he or she has read the terms of the minority/women business commitment and is authorized to bind the bidder to the commitment herein set forth.

Date: _____ Name of Authorized Officer: _____

Signature: _____

Title: _____



State of _____, County of _____

Subscribed and sworn to before me this _____ day of _____ 20____

Notary Public _____

My commission expires _____

**City of Greenville --AFFIDAVIT B-- Intent to Perform
Contract with Own Workforce.**

County of _____

Affidavit of _____
(Name of Bidder)

I hereby certify that it is our intent to perform 100% of the work required for the _____
_____ contract.
(Name of Project)

In making this certification, the Bidder states that the Bidder does not customarily subcontract elements of this type project, and normally performs and has the capability to perform and will perform all elements of the work on this project with his/her own current work forces; and

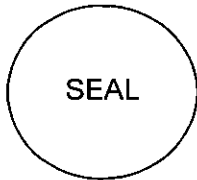
The Bidder agrees to provide any additional information or documentation requested by the owner in support of the above statement.

The undersigned hereby certifies that he or she has read this certification and is authorized to bind the Bidder to the commitments herein contained.

Date: _____ Name of Authorized Officer: _____

Signature: _____

Title: _____



State of _____, County of _____

Subscribed and sworn to before me this _____ day of _____ 20__

Notary Public _____

My commission expires _____

City of Greenville - **AFFIDAVIT C** - Portion of the Work to be Performed by MWBE Firms

County of _____

(Note this form is to be submitted only by the apparent lowest responsible, responsive bidder.)

If the portion of the work to be executed by MWBE businesses as defined in GS143-128.2(g) and the COG/CITY MWBE Plan sec. III is equal to or greater than 16% of the bidders total contract price, then the bidder must complete this affidavit. This affidavit shall be provided by the apparent lowest responsible, responsive bidder within **72 hours** after notification of being low bidder.

Affidavit of _____ I do hereby certify that on the _____
(Name of Bidder)

Project ID# _____ (Project Name) Amount of Bid \$ _____

I will expend a minimum of _____% of the total dollar amount of the contract with minority business enterprises and a minimum of _____% of the total dollar amount of the contract with women business enterprises. Minority/women businesses will be employed as construction subcontractors, vendors, suppliers or providers of professional services. Such work will be subcontracted to the following firms listed below. Attach additional sheets if required

Name and Phone Number	*MWBE Category	Work description	Dollar Value

*Minority categories: Black, African American (B), Hispanic or Latino (L), Asian American (A) American Indian (I), Female (F) Socially and Economically Disadvantaged (S) Disabled (D)

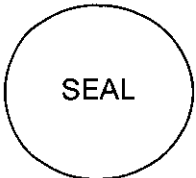
Pursuant to GS143-128.2(d), the undersigned will enter into a formal agreement with MWBE Firms for work listed in this schedule conditional upon execution of a contract with the Owner. Failure to fulfill this commitment may constitute a breach of the contract.

The undersigned hereby certifies that he or she has read the terms of this commitment and is authorized to bind the bidder to the commitment herein set forth.

Date: _____ Name of Authorized Officer: _____

Signature: _____

Title: _____



State of _____, County of _____
Subscribed and sworn to before me this _____ day of _____ 20____
Notary Public _____
My commission expires _____

City of Greenville **AFFIDAVIT D – Good Faith Efforts**

County of _____

(Note this form is to be submitted only by the apparent lowest responsible, responsive bidder.)

If the goal of 16% participation by minority/women business **is not** achieved, the Bidder shall provide the following documentation to the Owner of his good faith efforts:

Affidavit of _____ I do hereby certify
that on the _____
(Name of Bidder)

_____ (Project Name)
Project ID# _____ Amount of Bid \$ _____

I will expend a minimum of _____% of the total dollar amount of the contract with minority business enterprises and a minimum of _____% of the total dollar amount of the contract with women business enterprises. Minority/women businesses will be employed as construction subcontractors, vendors, suppliers or providers of professional services. Such work will be subcontracted to the following firms listed below. (Attach additional sheets if required)

Name and Phone Number	*MWBE Category	Work description	Dollar Value

*Minority categories: Black, African American (**B**), Hispanic or Latino (**L**), Asian American (**A**) American Indian (**I**), Female (**F**) Socially and Economically Disadvantaged (**S**) Disabled (**D**)

Examples of documentation required to demonstrate the Bidder's good faith efforts to meet the goals set forth in these provisions include, but are not necessarily limited to, the following:

- A. Copies of solicitations for quotes to at least three (3) minority business firms from the source list provided by the State for each subcontract to be let under this contract (if 3 or more firms are shown on the source list). Each solicitation shall contain a specific description of the work to be subcontracted, location where bid documents can be reviewed, representative of the Prime Bidder to contact, and location, date and time when quotes must be received.
- B. Copies of quotes or responses received from each firm responding to the solicitation.
- C. A telephone log of follow-up calls to each firm sent a solicitation.
- D. For subcontracts where a minority business firm is not considered the lowest responsible sub-bidder, copies of quotes received from all firms submitting quotes for that particular subcontract.
- E. Documentation of any contacts or correspondence to minority business, community, or contractor organizations in an attempt to meet the goal.
- F. Copy of pre-bid roster.
- G. Letter documenting efforts to provide assistance in obtaining required bonding or insurance for minority business.
- H. Letter detailing reasons for rejection of minority business due to lack of qualification.
- I. Letter documenting proposed assistance offered to minority business in need of equipment, loan capital, lines of credit, or joint pay agreements to secure loans, supplies, or letter of credit, including waiving credit that is ordinarily required.

Failure to provide the documentation as listed in these provisions may result in rejection of the bid and award to the

Do not submit with the bid Do not submit with the bid Do not submit with the bid Do not submit with the bid
next lowest responsible and responsive bidder.

Pursuant to GS143-128.2(d), the undersigned will enter into a formal agreement with MWBE Firms for work listed in this schedule conditional upon execution of a contract with the Owner. Failure to fulfill this commitment may constitute a breach of the contract.

The undersigned hereby certifies that he or she has read the terms of this commitment and is authorized to bind the bidder to the commitment herein set forth.

Date: _____ Name of Authorized Officer: _____

Signature: _____

Title: _____



State of _____, County of _____

Subscribed and sworn to before me this _____ day of _____ 20____

Notary Public _____

My commission expires _____

LETTER OF INTENT MWBE Subcontractor Performance

Please submit this form or executed subcontracts with MWBE firms after award of contract and prior to issuance of notice to proceed.

PROJECT: _____
(Project Name)

TO: _____
(Name of Prime Bidder/Architect)

The undersigned intends to perform work in connection with the above project as a:

____ Minority Business Enterprise ____ Women Business Enterprise

The MWBE status of the undersigned is certified the NC Office of Historically Underutilized Businesses (required). ____ Yes ____ No

The undersigned is prepared to perform the following described work or provide materials or services in connection with the above project at the following dollar amount:

Work/Materials/Service Provided	Dollar Amount of Contract	Projected Start Date	Projected End Date

(Date)

(Address)

(Name & Phone No. of MWBE Firm)

(Name & Title of Authorized Representative of MWBE)

(Signature of Authorized Representative of MWBE)

REQUEST TO CHANGE MWBE PARTICIPATION

(Submit changes only if notified as apparent lowest bidder, continuing through project completion)

Project: _____

Bidder or Prime Contractor: _____

Name & Title of Authorized Representative: _____

Address: _____ Phone #: _____

_____ Email Address: _____

Total Contract Amount (including approved change orders or amendments): \$ _____

Name of subcontractor: _____

Good or service provided: _____

Proposed Action:

- Replace subcontractor
 Perform work with own forces

For the above actions, you must provide one of the following reasons (Please check applicable reason):

The listed MBE/WBE, after having had a reasonable opportunity to do so, fails or refuses to execute a written contract.

The listed MBE/WBE is bankrupt or insolvent.

The listed MBE/WBE fails or refuses to perform his/her subcontract or furnish the listed materials.

The work performed by the listed subcontractor is unsatisfactory according to industry standards and is not in accordance with the plans and specifications; or the subcontractor is substantially delaying or disrupting the progress of the work.

If replacing subcontractor:

Name of replacement subcontractor: _____

The MWBE status of the contractor is certified by the NC Office of Historically Underutilized Businesses (required). ___ Yes ___ No

Dollar amount of original contract \$ _____

Dollar amount of amended contract \$ _____

Other Proposed Action:

___ Increase total dollar amount of work

___ Add additional subcontractor

___ Decrease total dollar amount of work

___ Other

Please describe reason for requested action: _____

If adding additional subcontractor:*

The MWBE status of the contractor is certified by the NC Office of Historically Underutilized Businesses (required). ___ Yes ___ No

**Please attach Letter of Intent or executed contract document*

Dollar amount of original contract \$ _____

Dollar amount of amended contract \$ _____

Interoffice Use Only:

Approval Y N

Date _____

Signature _____

Pay Application No. _____ Purchase Order No. _____

Proof of Payment Certification

MWBE Contractors, Suppliers, Service Providers

ding change orders): \$ _____

this Period: \$ _____

as ___ No

	MWBE Category*	Total Amount Paid from this Pay Request	Total Contract Amount (including changes)	Total Amount Remaining

Categories: Black, African American (**B**), Hispanic or Latino (**L**), Asian American (**A**) American Indian (**I**), Female (**F**) Socially and Economically Disadvantaged (**S**) Disabled (**D**)

Certified By: _____

Name

Title

Signature

INTENTIONALLY LEFT BLANK

NOTICE OF INTENT TO AWARD

TO: CONTRACTOR

PROJECT: **2019 Stormwater Pipe Repair Project**

The City of Greenville has considered the bid submitted by you on for the above-described Work in response to its Advertisement for Bids and Instructions to Bidders.

You are required by the Instructions to Bidders to execute the Agreement and furnish the required Contractor's Performance Bond, Payment Bond, and Certificate of Insurance within ten (10) calendar days from the date of this Notice to you.

You are required to acknowledge and return to the Owner a copy of this Notice of Intent to Award.

Dated this ____ day of _____, 201__.

Owner: City of Greenville

BY: _____
Scott P. M. Godefroy, PE
City Engineer

ACCEPTANCE OF NOTICE

Receipt of the above NOTICE OF INTENT TO AWARD is hereby acknowledged:

By: _____ Signature: _____
(Print name)

Title: _____ Company: _____

This the _____ day of _____, 201__.

INTENTIONALLY LEFT BLANK

NOTICE TO PROCEED

DATE: DATE

TO: CONTRACTOR

PROJECT: **2019 Stormwater Pipe Repair Project**

Attached, please find a fully executed copy of the AGREEMENT dated You are hereby notified to commence WORK in accordance with the AGREEMENT on or before....., 201__ and you are to complete the WORK within 30 consecutive calendar days thereafter.

The date of **COMPLETION** of all WORK is.....

Pre-Construction Conference conducted on

Owner: City of Greenville
By: Scott P. M. Godefroy, PE
Signature: _____
Title: City Engineer

ACCEPTANCE OF NOTICE

Receipt of the above 2019 Stormwater Pipe Repair Project is hereby acknowledged by

this the _____ day of _____, 201__.

By _____
Signature _____
Title _____

INTENTIONALLY LEFT BLANK

NOTICE OF AWARD

TO: CONTRACTOR

PROJECT: **2019 Stormwater Pipe Repair Project**

The City of Greenville has considered the bid submitted by you on for the above-described Work in response to its Advertisement for Bids and Instructions to Bidders.

You are required by the Instructions to Bidders to execute the Agreement and furnish the required Contractor's Performance Bond, Payment Bond, and Certificate of Insurance within ten (10) calendar days from the date of this Notice to you.

You are required to acknowledge and return to the Owner a copy of this Notice of Award.

Dated this ____ day of _____, 201__.

Owner: City of Greenville

BY: _____
Scott P. M. Godefroy, PE
City Engineer

ACCEPTANCE OF NOTICE

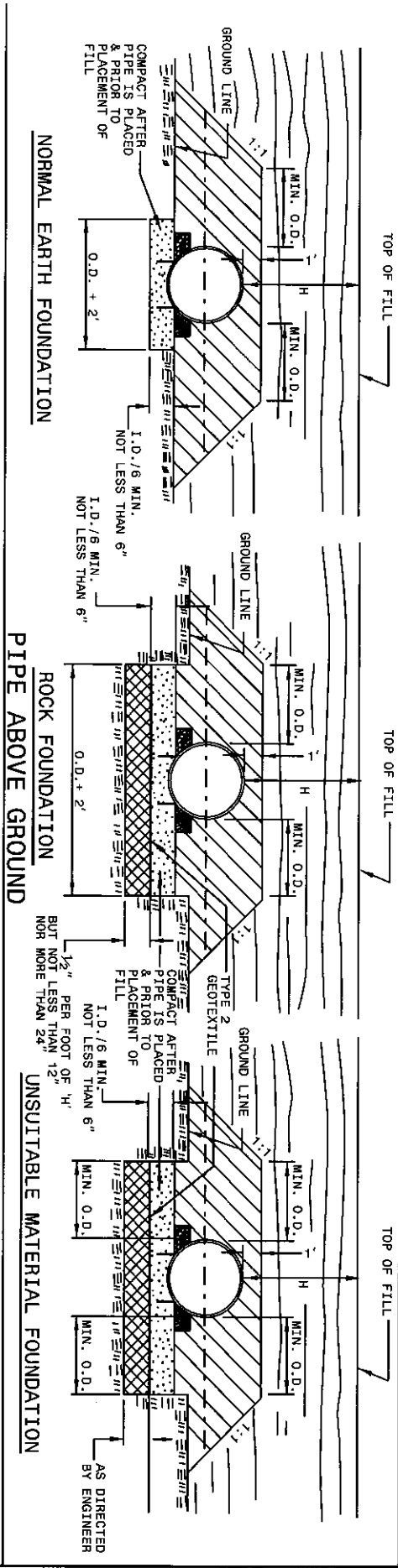
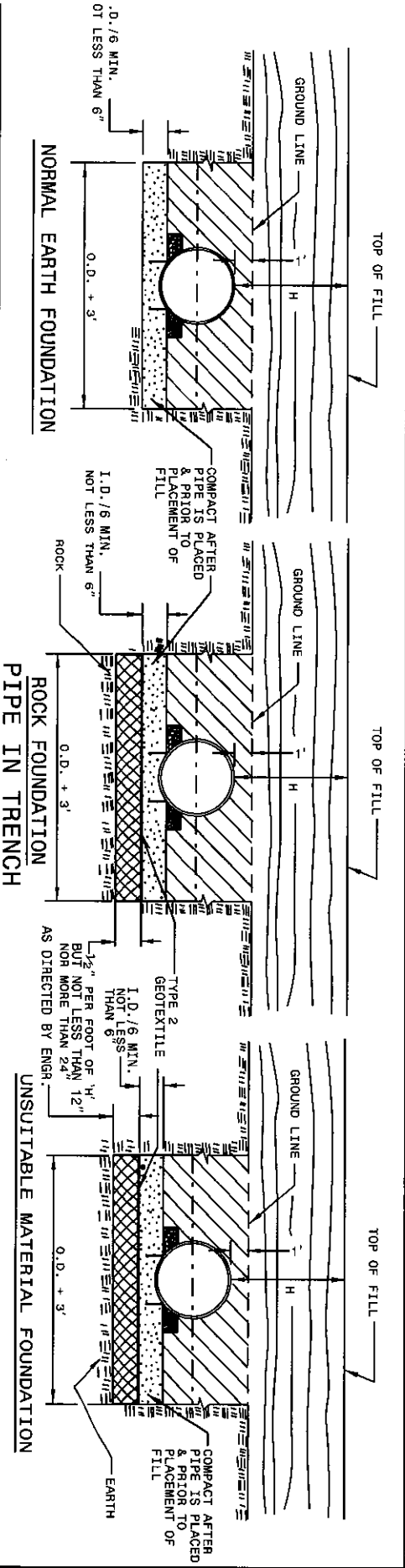
Receipt of the above NOTICE OF AWARD is hereby acknowledged:

By: _____ Signature: _____
(Print name)

Title: _____ Company: _____

This the _____ day of _____, 201__.

INTENTIONALLY LEFT BLANK



GENERAL NOTES:

I.D. = THE MAXIMUM HORIZONTAL INSIDE DIAMETER DIMENSION.

O.D. = THE MAXIMUM HORIZONTAL OUTSIDE DIAMETER DIMENSION.

H = THE FILL HEIGHT MEASURED VERTICALLY AT ANY POINT ALONG THE PIPE FROM THE TOP OF THE PIPE TO THE TOP OF THE EMBANKMENT AT THAT POINT.

TAKE CARE TO FULLY COMPACT HAUNCH ZONE OF PIPE BACKFILL.

LOOSELY PLACED SELECT MATERIAL CLASS III OR CLASS II, TYPE 1 FOR PIPE BEDDING. LEAVE SECTION DIRECTLY BENEATH PIPE UNCOMPACTED AS PIPE SEATING AND BACKFILL WILL ACCOMPLISH COMPACTION.

DO NOT OPERATE HEAVY EQUIPMENT OVER ANY PIPE CULVERT UNTIL THE PIPE CULVERT HAS BEEN PROPERLY BACKFILLED AND COVERED WITH AT LEAST 3 FEET OF APPROVED MATERIAL.

--- SPRINGLINE OF PIPE

SELECT BACKFILL MATERIAL CLASS III OR CLASS II, TYPE 1 ABOVE AND BELOW SPRINGLINE.

APPROVED SUITABLE LOCAL MATERIAL.

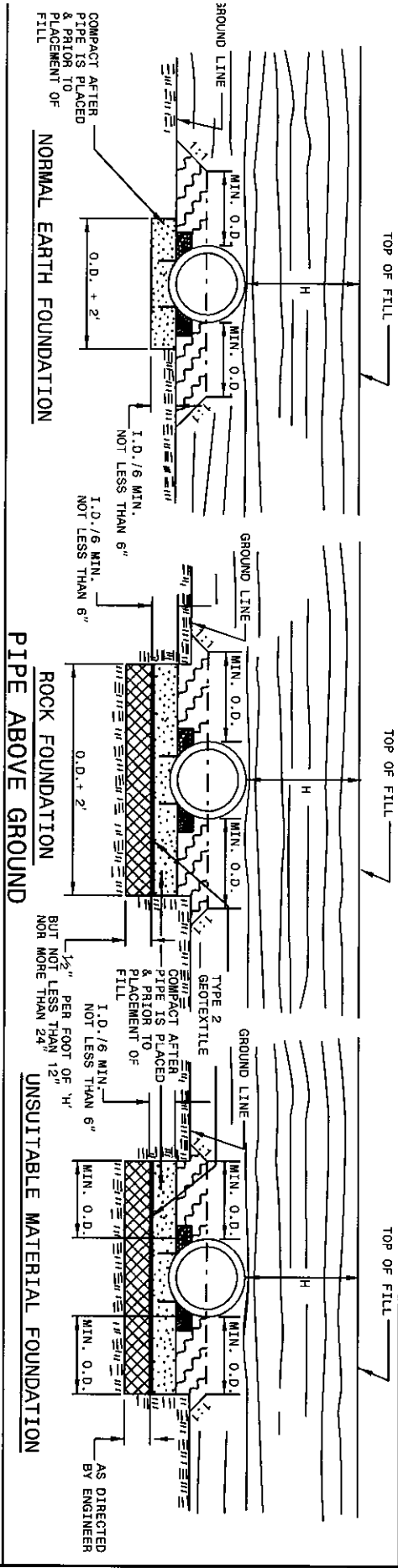
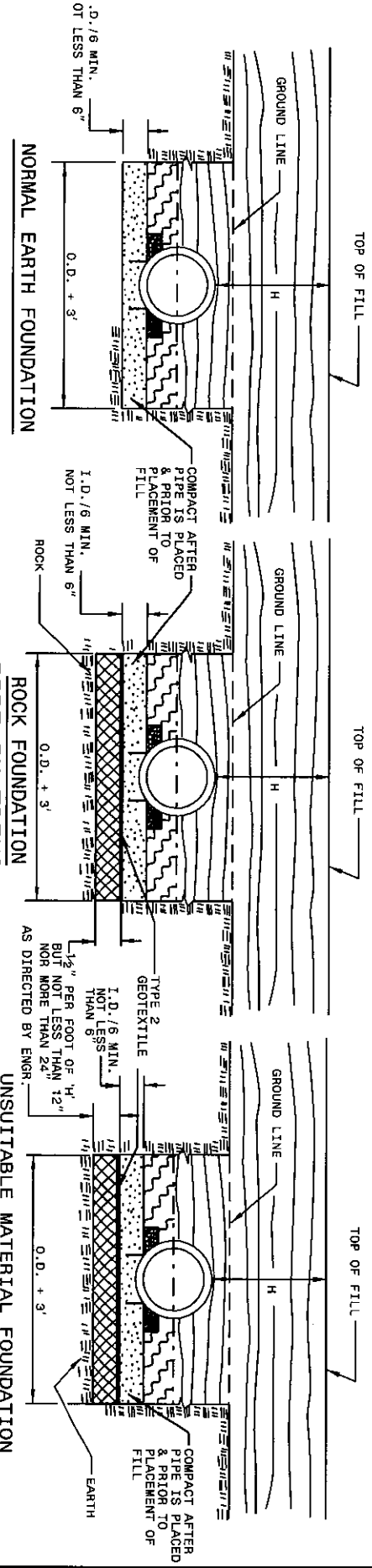
UNDISTURBED EARTH MATERIAL

SELECT MATERIAL CLASS V OR VI FOR FOUNDATION CONDITIONING. ENCAPSULATE WITH TYPE 2 GEOTEXTILE AS DIRECTED BY THE ENGINEER.

SHEET 1 OF 3
300.01

ROADWAY STANDARD DRAWING FOR
METHOD OF PIPE INSTALLATION
 FLEXIBLE PIPE

1-18 STATE OF
 NORTH CAROLINA
 DEPT. OF TRANSPORTATION
 DIVISION OF HIGHWAYS
 RALEIGH, N.C.



GENERAL NOTES:

I.D. = THE MAXIMUM HORIZONTAL INSIDE DIAMETER DIMENSION.

O.D. = THE MAXIMUM HORIZONTAL OUTSIDE DIAMETER DIMENSION.

H = THE FILL HEIGHT MEASURED VERTICALLY AT ANY POINT ALONG THE PIPE FROM THE TOP OF THE PIPE TO THE TOP OF THE EMBANKMENT AT THAT POINT.

COMPACT AFTER PIPE IS PLACED & PRIOR TO PLACEMENT OF FILL

COMPACT AFTER PIPE IS PLACED & PRIOR TO PLACEMENT OF FILL

COMPACT AFTER PIPE IS PLACED & PRIOR TO PLACEMENT OF FILL

DO NOT OPERATE HEAVY EQUIPMENT OVER ANY PIPE CULVERT UNTIL THE PIPE CULVERT HAS BEEN PROPERLY BACKFILLED AND COVERED WITH AT LEAST 3 FEET OF APPROVED MATERIAL.

----- SPRINGLINE OF PIPE

SELECT BACKFILL MATERIAL CLASS III OR CLASS II, BELOW SPRINGLINE.

APPROVED SUITABLE LOCAL MATERIAL ABOVE SPRINGLINE.

UNDISTURBED EARTH MATERIAL

SELECT MATERIAL CLASS V OR VI FOR FOUNDATION CONDITIONING. ENCAPSULATE WITH TYPE 2 GEOTEXTILE AS DIRECTED BY THE ENGINEER.

LOOSELY PLACED SELECT MATERIAL CLASS III OR CLASS II, TYPE 1 FOR PIPE BEDDING. LEAVE SECTION DIRECTLY BENEATH PIPE UNCOMPACTED AS PIPE SEATING AND BACKFILL WILL ACCOMPLISH COMPACTION.

TAKE CARE TO FULLY COMPACT HAUNCH ZONE OF PIPE BACKFILL.

FLEXIBLE PIPE

Round Corrugated Steel Pipe 2 2/3 x 1/2 corrugation **					
Diameter (Inches)	Minimum cover (Inches)	(Ga)	Maximum Height of Cover (feet)		
			16	14	12
12	12	204	16	14	12
15	12	162	204	256	10
18	12	135	169	204	8
21	12	115	145	239	
24	12	100	126	204	
30	12	79	100	178	
36	12	65	83	142	
42	12	55	70	117	152
48	12	48	61	100	130
54	12		54	87	113
60	12			77	139
66	12			69	123
72	12			90	111
78	12			111	90
84	12			111	81
				100	100
				81	91
				74	81
				69	69

Round Corrugated Aluminum Pipe 2 2/3 x 1/2 corrugation **					
Diameter (Inches)	Minimum cover (Inches)	(Ga)	Maximum Height of Cover (feet)		
			16	14	12
12	12	123	155	218	281
15	12	98	123	174	224
18	12	81	102	144	187
21	12	69	87	123	160
24	12	60	76	108	139
27	12	67	95	123	151
30	12	60	85	111	136
36	12	50	71	92	113
42	12		60	78	96
48	12		52	68	84
54	12		46	50	74
60	12			50	62
66	12			50	51
72	12			41	41

** FOR DIFFERENT CORRUGATIONS AND ARCH PIPES REFER TO ROADWAY DESIGN MANUAL OR MANUFACTURERS SPECIFICATION.

REFER TO THE FOLLOWING FOR PIPE SPECIFICATIONS

- CSP - AASHTO M36
- CAAP - AASHTO M196
- HDPE - AASHTO M294
- PVC - ASTM F949 OR AASHTO M304

NOTES: FILL HEIGHTS SHOWN WERE CALCULATED USING AASHTO LRFD BRIDGE DESIGN SPECIFICATIONS

1' MINIMUM COVER FOR ALL SIDE DRAIN PIPE IN ACCORDANCE WITH THE STANDARD SPECIFICATIONS

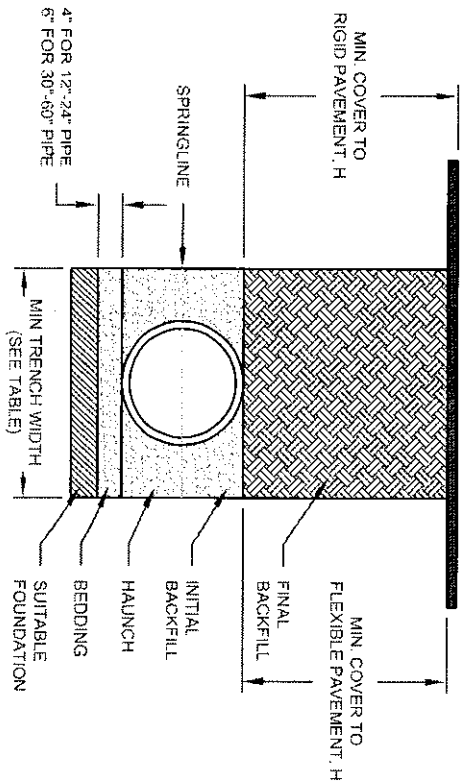
RIGID PIPE

- RCP - * (Minimum fill) 1' for Class IV & CLASS V
2' for Class III & Class II
- * (Maximum fill) 10' - Class II pipe
20' - Class III pipe
30' - Class IV pipe
40' - Class V pipe
- (For fills > 40' & < 80' use LRFD Direct Design Method)
- * FILL HEIGHT IS MEASURED FROM THE TOP OF THE PIPE TO THE BOTTOM OF THE PAVEMENT STRUCTURE

- REFER TO THE FOLLOWING FOR PIPE SPECIFICATIONS
- RCP - AASHTO M170
- NOTES: FILL HEIGHTS SHOWN WERE CALCULATED USING AASHTO LRFD BRIDGE DESIGN SPECIFICATIONS
- 1' MINIMUM COVER FOR ALL SIDE DRAIN PIPE IN ACCORDANCE WITH THE STANDARD SPECIFICATIONS

INTENTIONALLY LEFT BLANK

HP STORM TRENCH INSTALLATION DETAIL



NOTES:

1. ALL PIPE SYSTEMS SHALL BE INSTALLED IN ACCORDANCE WITH ASTM D2321, "STANDARD PRACTICE FOR UNDERGROUND INSTALLATION OF THERMOPLASTIC PIPE FOR SEWERS AND OTHER GRAVITY FLOW APPLICATIONS". LATEST ADDITIONS, WITH THE EXCEPTION THAT THE INITIAL BACKFILL MAY EXTEND TO THE CROWN OF THE PIPE. SOIL CLASSIFICATIONS ARE PER THE LATEST VERSION OF ASTM D2321. CLASS I/IV MATERIALS (MH, CH) AS DEFINED IN PREVIOUS VERSIONS OF ASTM D2321 ARE NOT APPROPRIATE BACKFILL MATERIALS.
2. MEASURES SHOULD BE TAKEN TO PREVENT MIGRATION OF NATIVE FINES INTO BACKFILL MATERIAL WHEN REQUIRED.
3. FOUNDATION: WHERE THE TRENCH BOTTOM IS UNSTABLE, THE CONTRACTOR SHALL EXCAVATE TO A DEPTH REQUIRED BY THE ENGINEER AND REPLACE WITH SUITABLE MATERIAL AS SPECIFIED BY THE ENGINEER, AS AN ALTERNATIVE AND AT THE DISCRETION OF THE DESIGN ENGINEER, THE TRENCH BOTTOM MAY BE STABILIZED USING A GEOTEXTILE MATERIAL.
4. BEDDING: SUITABLE MATERIAL SHALL BE CLASS I, II, III, OR IV. THE CONTRACTOR SHALL PROVIDE DOCUMENTATION FOR MATERIAL SPECIFICATION TO ENGINEER. COMPACTION SHALL BE SPECIFIED BY THE ENGINEER IN ACCORDANCE WITH TABLE 3 FOR THE APPLICABLE FILL HEIGHTS LISTED. UNLESS OTHERWISE NOTED BY THE ENGINEER, MINIMUM BEDDING THICKNESS SHALL BE 4" (100mm) FOR 12"-24" (300mm-600mm) DIAMETER PIPE; 6" (150mm) FOR 30"-60" (750mm-900mm) DIAMETER PIPE. THE MIDDLE 1/3 BENEATH THE PIPE INVERT SHALL BE LOOSELY PLACED. PLEASE NOTE CLASS IV MATERIAL HAS LIMITED APPLICATION AND CAN BE DIFFICULT TO PLACE AND COMPACT. USE ONLY WITH THE APPROVAL OF A SOIL EXPERT.
5. INITIAL BACKFILL: SUITABLE MATERIAL SHALL BE CLASS I, II, III, OR IV IN THE PIPE ZONE EXTENDING TO THE CROWN OF THE PIPE. THE CONTRACTOR SHALL PROVIDE DOCUMENTATION FOR MATERIAL SPECIFICATION TO ENGINEER. MATERIAL SHALL BE INSTALLED AS REQUIRED IN ASTM D2321, LATEST EDITION. COMPACTION SHALL BE SPECIFIED BY THE ENGINEER IN ACCORDANCE WITH TABLE 3 FOR THE APPLICABLE FILL HEIGHTS LISTED. PLEASE NOTE CLASS IV MATERIAL HAS LIMITED APPLICATION AND CAN BE DIFFICULT TO PLACE AND COMPACT. USE ONLY WITH THE APPROVAL OF A SOIL EXPERT.
6. MINIMUM COVER: MINIMUM COVER, H, IN NON-TRAFFIC APPLICATIONS (GRASS OR LANDSCAPE AREAS) IS 12" (300mm) FROM THE TOP OF PIPE TO GROUND SURFACE. ADDITIONAL COVER MAY BE REQUIRED TO PREVENT FLOTATION. FOR TRAFFIC APPLICATIONS, CLASS I OR II MATERIAL COMPACTED TO 85% SPD AND CLASS III COMPACTED TO 90% SPD IS REQUIRED. FOR TRAFFIC APPLICATIONS, MINIMUM COVER, H, IS 12" (300mm) UP TO 48" (1200mm) DIAMETER PIPE AND 24" (600mm) OF COVER FOR 60" (1500mm) DIAMETER PIPE. MEASURED FROM TOP OF PIPE TO BOTTOM OF FLEXIBLE PAVEMENT OR TO TOP OF RIGID PAVEMENT.
7. FOR ADDITIONAL INFORMATION SEE TECHNICAL NOTE 2.04.

TABLE 1. RECOMMENDED MINIMUM TRENCH WIDTHS

PIPE DIAM.	MIN. TRENCH WIDTH
12"	30"
300mm	(750mm)
15"	34"
375mm	(850mm)
18"	39"
450mm	(975mm)
24"	48"
600mm	(1200mm)
30"	36"
750mm	(1400mm)
36"	64"
900mm	(1600mm)
42"	72"
1050mm	(1800mm)
48"	80"
1200mm	(2000mm)
60"	96"
1500mm	(2400mm)

TABLE 2. MINIMUM RECOMMENDED COVER BASED ON VEHICLE LOADING CONDITIONS

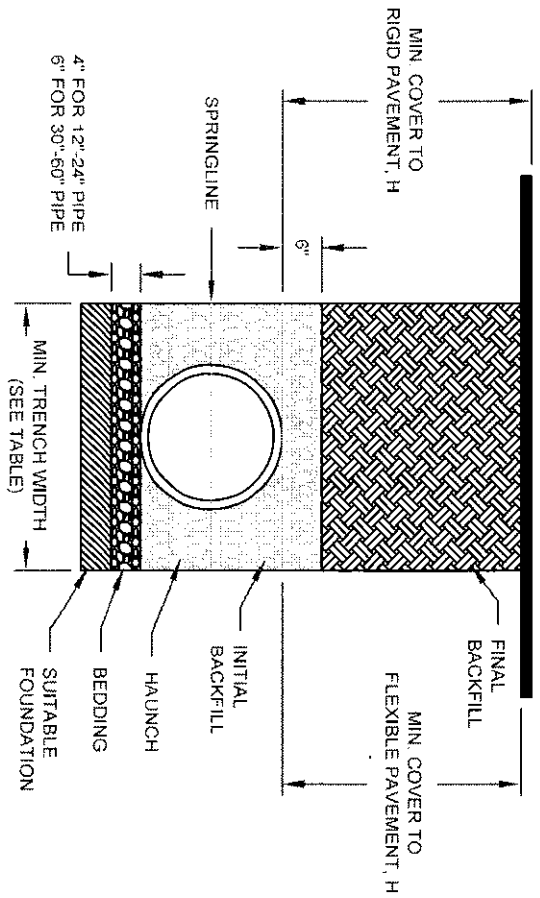
PIPE DIA.	SURFACE LIVE LOADING CONDITION	HEAVY CONSTRUCTION (75T AXLE LOAD) *
12" - 48"	H-25	48"
300mm - 1200mm	(300mm)	(1200mm)
60"	24"	60"
1500mm	(800mm)	(1500mm)

VEHICLES IN EXCESS OF 75T MAY REQUIRE ADDITIONAL COVER

TABLE 3. MAXIMUM COVER FOR ADS HP STORM PIPE, ft

PIPE DIA	COMPACTED	CLASS I				CLASS II				CLASS III				CLASS IV			
		95%	90%	85%	95%	90%	85%	95%	90%	85%	95%	90%	85%	95%	90%	85%	
12"	39	27	20	9	21	12	11	11	11	11	11	11	11	11	11	11	11
300mm	(11.9m)	(8.2m)	(6.1m)	(2.7m)	(6.4m)	(3.7m)	(3.4m)	(3.4m)	(3.4m)	(3.4m)	(3.4m)	(3.4m)	(3.4m)	(3.4m)	(3.4m)	(3.4m)	(3.4m)
15"	42	29	21	10	22	12	11	11	11	11	11	11	11	11	11	11	11
375mm	(12.8m)	(8.8m)	(6.4m)	(3.0m)	(6.7m)	(3.7m)	(3.4m)	(3.4m)	(3.4m)	(3.4m)	(3.4m)	(3.4m)	(3.4m)	(3.4m)	(3.4m)	(3.4m)	(3.4m)
18"	36	25	18	9	19	12	11	11	11	11	11	11	11	11	11	11	11
450mm	(11.0m)	(7.6m)	(5.5m)	(2.7m)	(5.8m)	(3.7m)	(3.4m)	(3.4m)	(3.4m)	(3.4m)	(3.4m)	(3.4m)	(3.4m)	(3.4m)	(3.4m)	(3.4m)	(3.4m)
24"	31	22	16	7	16	11	11	11	11	11	11	11	11	11	11	11	11
600mm	(9.4m)	(6.7m)	(4.9m)	(2.1m)	(4.9m)	(3.4m)	(3.0m)	(3.0m)	(3.0m)	(3.0m)	(3.0m)	(3.0m)	(3.0m)	(3.0m)	(3.0m)	(3.0m)	(3.0m)
30"	33	23	17	9	17	11	11	11	11	11	11	11	11	11	11	11	11
750mm	(10.1m)	(7.0m)	(5.2m)	(2.7m)	(5.2m)	(3.4m)	(3.0m)	(3.0m)	(3.0m)	(3.0m)	(3.0m)	(3.0m)	(3.0m)	(3.0m)	(3.0m)	(3.0m)	(3.0m)
36"	32	22	16	7	16	11	11	11	11	11	11	11	11	11	11	11	11
900mm	(9.8m)	(6.7m)	(4.9m)	(2.1m)	(4.9m)	(3.4m)	(3.0m)	(3.0m)	(3.0m)	(3.0m)	(3.0m)	(3.0m)	(3.0m)	(3.0m)	(3.0m)	(3.0m)	(3.0m)
42"	32	22	15	7	16	11	11	11	11	11	11	11	11	11	11	11	11
1050mm	(9.8m)	(6.7m)	(4.6m)	(2.1m)	(4.9m)	(3.4m)	(3.0m)	(3.0m)	(3.0m)	(3.0m)	(3.0m)	(3.0m)	(3.0m)	(3.0m)	(3.0m)	(3.0m)	(3.0m)
48"	31	21	15	6	15	10	9	9	9	9	9	9	9	9	9	9	9
1200mm	(9.4m)	(6.4m)	(4.6m)	(1.8m)	(4.6m)	(3.0m)	(2.7m)	(2.7m)	(2.7m)	(2.7m)	(2.7m)	(2.7m)	(2.7m)	(2.7m)	(2.7m)	(2.7m)	(2.7m)
60"	34	23	16	6	16	11	11	11	11	11	11	11	11	11	11	11	11
1500mm	(10.4m)	(7.0m)	(4.9m)	(1.8m)	(4.9m)	(3.4m)	(3.0m)	(3.0m)	(3.0m)	(3.0m)	(3.0m)	(3.0m)	(3.0m)	(3.0m)	(3.0m)	(3.0m)	(3.0m)

FILL HEIGHT TABLE GENERATED USING AASHTO SECTION 12. LOAD RESISTANCE FACTOR DESIGN (LRFD) PROCEDURE WITH THE FOLLOWING ASSUMPTIONS:
 NO HYDROSTATIC PRESSURE
 UNIT WEIGHT OF SOIL (γs) = 120 PCF



RECOMMENDED MINIMUM TRENCH WIDTHS

PIPE DIAM.	MIN. TRENCH WIDTH
4"	21"
6"	23"
8"	26"
10"	28"
12"	30"
15"	34"
18"	39"
24"	48"
30"	56"
36"	64"
42"	72"
48"	80"
54"	88"
60"	96"

MINIMUM RECOMMENDED COVER BASED ON VEHICLE LOADING CONDITIONS**

PIPE DIAM.	SURFACE LIVE LOADING CONDITION	HEAVY CONSTRUCTION (75T AXLE LOAD) *
12" - 48"	H-25	48"
54" - 60"	24"	60"

* VEHICLES IN EXCESS OF 75T MAY REQUIRE ADDITIONAL COVER
 **SEE BACKFILL REQUIREMENTS IN NOTE 6.

MINIMUM RECOMMENDED COVER BASED ON RAILWAY LOADING CONDITIONS

PIPE DIAM.	COOPER E-80**
UP TO 24"	24"
30"-36"	36"
42"-60"	48"

** COVER IS MEASURED FROM TOP OF PIPE TO BOTTOM OF RAILWAY TIE.
 *** E-80 COVER REQUIREMENTS, ARE ONLY APPLICABLE TO ASTM F 2306 PIPE.

- NOTES:**
1. ALL PIPE SYSTEMS SHALL BE INSTALLED IN ACCORDANCE WITH ASTM D2321, "STANDARD PRACTICE FOR UNDERGROUND INSTALLATION OF THERMOPLASTIC PIPE FOR SEWERS AND OTHER GRAVITY FLOW APPLICATIONS", LATEST ADDITION
 2. MEASURES SHOULD BE TAKEN TO PREVENT MIGRATION OF NATIVE FINES INTO BACKFILL MATERIAL, WHEN REQUIRED.
 3. **FOUNDATION:** WHERE THE TRENCH BOTTOM IS UNSTABLE, THE CONTRACTOR SHALL EXCAVATE TO A DEPTH REQUIRED BY THE ENGINEER AND REPLACE WITH SUITABLE MATERIAL AS SPECIFIED BY THE ENGINEER, AS AN ALTERNATIVE AND AT THE DISCRETION OF THE DESIGN ENGINEER, THE TRENCH BOTTOM MAY BE STABILIZED USING A GEOTEXTILE MATERIAL.
 4. **BEDDING:** SUITABLE MATERIAL SHALL BE CLASS I, II OR III. THE CONTRACTOR SHALL PROVIDE DOCUMENTATION FOR MATERIAL SPECIFICATION TO ENGINEER. UNLESS OTHERWISE NOTED BY THE ENGINEER, MINIMUM BEDDING THICKNESS SHALL BE 4" (100mm) FOR 4"-24" (100mm-600mm); 6" (150mm) FOR 30"-60" (750mm-900mm).
 5. **INITIAL BACKFILL:** SUITABLE MATERIAL SHALL BE CLASS I, II OR III IN THE PIPE ZONE EXTENDING NOT LESS THAN 6" ABOVE CROWN OF PIPE. THE CONTRACTOR SHALL PROVIDE DOCUMENTATION FOR MATERIAL SPECIFICATION TO ENGINEER. MATERIAL SHALL BE INSTALLED AS REQUIRED IN ASTM D2321, LATEST EDITION.
 6. **MINIMUM COVER:** MINIMUM COVER, H, IN NON-TRAFFIC APPLICATIONS (GRASS OR LANDSCAPE AREAS) IS 12" FROM THE TOP OF PIPE TO GROUND SURFACE. ADDITIONAL COVER MAY BE REQUIRED TO PREVENT FLOATATION. FOR TRAFFIC APPLICATIONS, MINIMUM COVER, H, IS 12" UP TO 48" DIAMETER PIPE AND 24" OF COVER FOR 54"-60" DIAMETER PIPE. MEASURED FROM TOP OF PIPE TO BOTTOM OF FLEXIBLE PAVEMENT OR TO TOP OF RIGID PAVEMENT. FOR TRAFFIC APPLICATIONS WITH LESS THAN FOUR FEET OF COVER, EMBEDMENT OF THE PIPE SHALL BE USING ONLY A CLASS ONE OR CLASS TWO BACKFILL.

INTENTIONALLY LEFT BLANK

To: All Interested Bidders
From: Victor Long
RE: 2019 Stormwater Pipe Repair Project, Addendum #1
Date: February 21, 2019

The following items clarify, add to, delete from and/or otherwise change and supersede information previously issued to you in the Bid Documents for the above-referenced project. As such, said items shall be considered part of the contract and receipt of this addendum shall be acknowledged appropriately in the bid package. Please review the following items carefully and adjust your proposal accordingly.

Pre-bid Minutes and Clarifications

1. The Contractor will be issued task orders during the contract and will be paid per individual task.
2. Mobilization for the project will be a 3% max for the total unit bid cost and will be paid as 3% of each task order.
3. It was confirmed at the pre-bid that a bid bond of 5% of the total base bid will be required.
4. The contractor must perform in excess of 50% of the contract price with his own forces.
5. All work during this contract will be performed within existing City right-of-way or within a drainage easement.
6. If during the contract there is an item that is not in the original unit bid form the Contractor will provide a written estimate for any item or items necessary to complete the project.
7. At the pre bid meeting it was stated that the City would require a \$200,000.00 performance & payment bond for the winning Bidder.
8. Greenville Utilities will relocate and/or remove any utilities within a work zone ahead of the start of a task order when feasible.
9. Work will be continuous once a task order has been started, but there may be down time between the issuing of additional task orders.
10. Please use the bid form included with this addendum to submit your bid.
11. Make sure to attach your MWBE forms, Noncollusion Affidavit, Bid Bond and the summary form at the front of the bid specs to the bid form. All these pages should state submit or attach to bid at the top of the individual page.

12. **All the RCP installed for this project will be installed in the same trench as the excavated pipe. Asphalt, concrete & pipe removal shall be incidental to the unit price for each RCP size listed on the bid form.**
13. **Asphalt for this this project will be Type S9.5C with no more than 15% RAP.**
14. **Bid date is Tuesday, February 26, 2019 at 2:00 PM, 1500 Beatty Street, Greenville, NC 27834.**

Requests for additional information:

Any questions regarding this Addendum should be directed to Mr. Victor Long, at 252-329-4888 or email at vlong@greenvillenc.gov.

GENERAL CONDITIONS

This document has important legal consequences; consultation with an attorney is encouraged with respect to its use or modification. This document should be adapted to the particular circumstances of the contemplated Project and the controlling Laws and Regulations.

**STANDARD GENERAL CONDITIONS
OF THE CONSTRUCTION CONTRACT**

Prepared by

ENGINEERS JOINT CONTRACT DOCUMENTS COMMITTEE

and

Issued and Published Jointly by



AMERICAN COUNCIL OF ENGINEERING COMPANIES

ASSOCIATED GENERAL CONTRACTORS OF AMERICA

AMERICAN SOCIETY OF CIVIL ENGINEERS

PROFESSIONAL ENGINEERS IN PRIVATE PRACTICE
A Practice Division of the
NATIONAL SOCIETY OF PROFESSIONAL ENGINEERS

Endorsed by



CONSTRUCTION SPECIFICATIONS INSTITUTE

These General Conditions have been prepared for use with the Suggested Forms of Agreement Between Owner and Contractor (EJCDC C-520 or C-525, 2007 Editions). Their provisions are interrelated and a change in one may necessitate a change in the other. Comments concerning their usage are contained in the Narrative Guide to

the EJCDC Construction Documents (EJCDC C-001, 2007 Edition). For guidance in the preparation of Supplementary Conditions, see Guide to the Preparation of Supplementary Conditions (EJCDC C-800, 2007 Edition).

Copyright © 2007 National Society of Professional Engineers
1420 King Street, Alexandria, VA 22314-2794
(703) 684-2882
www.nspe.org

American Council of Engineering Companies
1015 15th Street N.W., Washington, DC 20005
(202) 347-7474
www.acec.org

American Society of Civil Engineers
1801 Alexander Bell Drive, Reston, VA 20191-4400
(800) 548-2723
www.asce.org

Associated General Contractors of America
2300 Wilson Boulevard, Suite 400, Arlington, VA 22201-3308
(703) 548-3118
www.agc.org

The copyright for this EJCDC document is owned jointly by the four EJCDC sponsoring organizations and held in trust for their benefit by NSPE.

STANDARD GENERAL CONDITIONS OF THE CONSTRUCTION CONTRACT

TABLE OF CONTENTS

		Page
ARTICLE 1 – DEFINITIONS AND TERMINOLOGY.....		1
1.01	DEFINED TERMS.....	1
1.02	TERMINOLOGY.....	5
ARTICLE 2 – PRELIMINARY MATTERS.....		6
2.01	DELIVERY OF BONDS AND EVIDENCE OF INSURANCE.....	6
2.02	COPIES OF DOCUMENTS.....	6
2.03	COMMENCEMENT OF CONTRACT TIMES; NOTICE TO PROCEED.....	6
2.04	STARTING THE WORK.....	7
2.05	BEFORE STARTING CONSTRUCTION.....	7
2.06	PRECONSTRUCTION CONFERENCE; DESIGNATION OF AUTHORIZED REPRESENTATIVES.....	7
2.07	INITIAL ACCEPTANCE OF SCHEDULES.....	7
ARTICLE 3 – CONTRACT DOCUMENTS: INTENT, AMENDING, REUSE.....		8
3.01	INTENT.....	8
3.02	REFERENCE STANDARDS.....	8
3.03	REPORTING AND RESOLVING DISCREPANCIES.....	9
3.04	AMENDING AND SUPPLEMENTING CONTRACT DOCUMENTS.....	9
3.05	REUSE OF DOCUMENTS.....	10
3.06	ELECTRONIC DATA.....	10
ARTICLE 4 – AVAILABILITY OF LANDS; SUBSURFACE AND PHYSICAL CONDITIONS; HAZARDOUS ENVIRONMENTAL CONDITIONS; REFERENCE POINTS.....		11
4.01	AVAILABILITY OF LANDS.....	11
4.02	SUBSURFACE AND PHYSICAL CONDITIONS.....	11
4.03	DIFFERING SUBSURFACE OR PHYSICAL CONDITIONS.....	12
4.04	UNDERGROUND FACILITIES.....	13
4.05	REFERENCE POINTS.....	14
4.06	HAZARDOUS ENVIRONMENTAL CONDITION AT SITE.....	14
ARTICLE 5 – BONDS AND INSURANCE.....		16
5.01	PERFORMANCE, PAYMENT, AND OTHER BONDS.....	16
5.02	LICENSED SURETIES AND INSURERS.....	16
5.03	CERTIFICATES OF INSURANCE.....	17
5.04	CONTRACTOR’S INSURANCE.....	17
5.05	OWNER’S LIABILITY INSURANCE.....	18
5.06	PROPERTY INSURANCE.....	19
5.07	WAIVER OF RIGHTS.....	20
5.08	RECEIPT AND APPLICATION OF INSURANCE PROCEEDS.....	21
5.09	ACCEPTANCE OF BONDS AND INSURANCE; OPTION TO REPLACE.....	21
5.10	PARTIAL UTILIZATION, ACKNOWLEDGMENT OF PROPERTY INSURER.....	21
ARTICLE 6 – CONTRACTOR’S RESPONSIBILITIES.....		22
6.01	SUPERVISION AND SUPERINTENDENCE.....	22
6.02	LABOR; WORKING HOURS.....	22

6.03	SERVICES, MATERIALS, AND EQUIPMENT.....	22
6.04	PROGRESS SCHEDULE.....	23
6.05	SUBSTITUTES AND "OR-EQUALS".....	23
6.06	CONCERNING SUBCONTRACTORS, SUPPLIERS, AND OTHERS.....	25
6.07	PATENT FEES AND ROYALTIES.....	27
6.08	PERMITS.....	27
6.09	LAWS AND REGULATIONS.....	27
6.10	TAXES.....	28
6.11	USE OF SITE AND OTHER AREAS.....	28
6.12	RECORD DOCUMENTS.....	29
6.13	SAFETY AND PROTECTION.....	29
6.14	SAFETY REPRESENTATIVE.....	30
6.15	HAZARD COMMUNICATION PROGRAMS.....	30
6.16	EMERGENCIES.....	30
6.17	SHOP DRAWINGS AND SAMPLES.....	30
6.18	CONTINUING THE WORK.....	32
6.19	CONTRACTOR'S GENERAL WARRANTY AND GUARANTEE.....	32
6.20	INDEMNIFICATION.....	33
6.21	DELEGATION OF PROFESSIONAL DESIGN SERVICES.....	34
ARTICLE 7 – OTHER WORK AT THE SITE.....		34
7.01	RELATED WORK AT SITE.....	34
7.02	COORDINATION.....	35
7.03	LEGAL RELATIONSHIPS.....	35
ARTICLE 8 – OWNER'S RESPONSIBILITIES.....		36
8.01	COMMUNICATIONS TO CONTRACTOR.....	36
8.02	REPLACEMENT OF ENGINEER.....	36
8.03	FURNISH DATA.....	36
8.04	PAY WHEN DUE.....	36
8.05	LANDS AND EASEMENTS; REPORTS AND TESTS.....	36
8.06	INSURANCE.....	36
8.07	CHANGE ORDERS.....	36
8.08	INSPECTIONS, TESTS, AND APPROVALS.....	36
8.09	LIMITATIONS ON OWNER'S RESPONSIBILITIES.....	37
8.10	UNDISCLOSED HAZARDOUS ENVIRONMENTAL CONDITION.....	37
8.11	EVIDENCE OF FINANCIAL ARRANGEMENTS.....	37
8.12	COMPLIANCE WITH SAFETY PROGRAM.....	37
ARTICLE 9 – ENGINEER'S STATUS DURING CONSTRUCTION.....		37
9.01	OWNER'S REPRESENTATIVE.....	37
9.02	VISITS TO SITE.....	37
9.03	PROJECT REPRESENTATIVE.....	38
9.04	AUTHORIZED VARIATIONS IN WORK.....	38
9.05	REJECTING DEFECTIVE WORK.....	38
9.06	SHOP DRAWINGS, CHANGE ORDERS AND PAYMENTS.....	38
9.07	DETERMINATIONS FOR UNIT PRICE WORK.....	39
9.08	DECISIONS ON REQUIREMENTS OF CONTRACT DOCUMENTS AND ACCEPTABILITY OF WORK.....	39
9.09	LIMITATIONS ON ENGINEER'S AUTHORITY AND RESPONSIBILITIES.....	39
9.10	COMPLIANCE WITH SAFETY PROGRAM.....	40
ARTICLE 10 – CHANGES IN THE WORK; CLAIMS.....		40
10.01	AUTHORIZED CHANGES IN THE WORK.....	40
10.02	UNAUTHORIZED CHANGES IN THE WORK.....	40
10.03	EXECUTION OF CHANGE ORDERS.....	40

10.04	NOTIFICATION TO SURETY.....	41
10.05	CLAIMS.....	41
ARTICLE 11 – COST OF THE WORK; ALLOWANCES; UNIT PRICE WORK.....		42
11.01	COST OF THE WORK.....	42
11.02	ALLOWANCES.....	45
11.03	UNIT PRICE WORK.....	45
ARTICLE 12 – CHANGE OF CONTRACT PRICE; CHANGE OF CONTRACT TIMES.....		46
12.01	CHANGE OF CONTRACT PRICE.....	46
12.02	CHANGE OF CONTRACT TIMES.....	47
12.03	DELAYS.....	47
ARTICLE 13 – TESTS AND INSPECTIONS; CORRECTION, REMOVAL OR ACCEPTANCE OF DEFECTIVE WORK.....		48
13.01	NOTICE OF DEFECTS.....	48
13.02	ACCESS TO WORK.....	48
13.03	TESTS AND INSPECTIONS.....	48
13.04	UNCOVERING WORK.....	49
13.05	OWNER MAY STOP THE WORK.....	49
13.06	CORRECTION OR REMOVAL OF DEFECTIVE WORK.....	50
13.07	CORRECTION PERIOD.....	50
13.08	ACCEPTANCE OF DEFECTIVE WORK.....	51
13.09	OWNER MAY CORRECT DEFECTIVE WORK.....	51
ARTICLE 14 – PAYMENTS TO CONTRACTOR AND COMPLETION.....		52
14.01	SCHEDULE OF VALUES.....	52
14.02	PROGRESS PAYMENTS.....	52
14.03	CONTRACTOR’S WARRANTY OF TITLE.....	55
14.04	SUBSTANTIAL COMPLETION.....	55
14.05	PARTIAL UTILIZATION.....	55
14.06	FINAL INSPECTION.....	56
14.07	FINAL PAYMENT.....	56
14.08	FINAL COMPLETION DELAYED.....	57
14.09	WAIVER OF CLAIMS.....	58
ARTICLE 15 – SUSPENSION OF WORK AND TERMINATION.....		58
15.01	OWNER MAY SUSPEND WORK.....	58
15.02	OWNER MAY TERMINATE FOR CAUSE.....	58
15.03	OWNER MAY TERMINATE FOR CONVENIENCE.....	59
15.04	CONTRACTOR MAY STOP WORK OR TERMINATE.....	60
ARTICLE 16 – DISPUTE RESOLUTION.....		60
16.01	METHODS AND PROCEDURES.....	60
ARTICLE 17 – MISCELLANEOUS.....		61
17.01	GIVING NOTICE.....	61
17.02	COMPUTATION OF TIMES.....	61
17.03	CUMULATIVE REMEDIES.....	61
17.04	SURVIVAL OF OBLIGATIONS.....	61
17.05	CONTROLLING LAW.....	62
17.06	HEADINGS.....	62

DEFINITIONS AND TERMINOLOGY

Defined Terms

Wherever used in the Bidding Requirements or Contract Documents and printed with initial capital letters, the terms listed below will have the meanings indicated which are applicable to both the singular and plural thereof. In addition to terms specifically defined, terms with initial capital letters in the Contract Documents include references to identified articles and paragraphs, and the titles of other documents or forms.

Addenda—Written or graphic instruments issued prior to the opening of Bids which clarify, correct, or change the Bidding Requirements or the proposed Contract Documents.

Agreement—The written instrument which is evidence of the agreement between Owner and Contractor covering the Work.

Application for Payment—The form acceptable to Engineer which is to be used by Contractor during the course of the Work in requesting progress or final payments and which is to be accompanied by such supporting documentation as is required by the Contract Documents.

Asbestos—Any material that contains more than one percent asbestos and is friable or is releasing asbestos fibers into the air above current action levels established by the United States Occupational Safety and Health Administration.

Bid—The offer or proposal of a Bidder submitted on the prescribed form setting forth the prices for the Work to be performed.

Bidder—The individual or entity who submits a Bid directly to Owner.

Bidding Documents—The Bidding Requirements and the proposed Contract Documents (including all Addenda).

Bidding Requirements—The advertisement or invitation to bid, Instructions to Bidders, Bid security of acceptable form, if any, and the Bid Form with any supplements.

Change Order—A document recommended by Engineer which is signed by Contractor and Owner and authorizes an addition, deletion, or revision in the Work or an adjustment in the Contract Price or the Contract Times, issued on or after the Effective Date of the Agreement.

Claim—A demand or assertion by Owner or Contractor seeking an adjustment of Contract Price or Contract Times, or both, or other relief with respect to the terms of the Contract. A demand for money or services by a third party is not a Claim.

Contract—The entire and integrated written agreement between the Owner and Contractor concerning the Work. The Contract supersedes prior negotiations, representations, or agreements, whether written or oral.

Contract Documents—Those items so designated in the Agreement. Only printed or hard copies of the items listed in the Agreement are Contract Documents. Approved Shop Drawings, other Contractor submittals, and the reports and drawings of subsurface and physical conditions are not Contract Documents.

Contract Price—The moneys payable by Owner to Contractor for completion of the Work in accordance with the Contract Documents as stated in the Agreement (subject to the provisions of Paragraph 11.03 in the case of Unit Price Work).

Contract Times—The number of days or the dates stated in the Agreement to: (i) achieve Milestones, if any; (ii) achieve Substantial Completion; and (iii) complete the Work so that it is ready for final payment as evidenced by Engineer's written recommendation of final payment.

Contractor—The individual or entity with whom Owner has entered into the Agreement.

Cost of the Work—See Paragraph 11.01 for definition.

Drawings—That part of the Contract Documents prepared or approved by Engineer which graphically shows the scope, extent, and character of the Work to be performed by Contractor. Shop Drawings and other Contractor submittals are not Drawings as so defined.

Effective Date of the Agreement—The date indicated in the Agreement on which it becomes effective, but if no such date is indicated, it means the date on which the Agreement is signed and delivered by the last of the two parties to sign and deliver.

Engineer—The individual or entity named as such in the Agreement.

Field Order—A written order issued by Engineer which requires minor changes in the Work but which does not involve a change in the Contract Price or the Contract Times.

General Requirements—Sections of Division 1 of the Specifications.

Hazardous Environmental Condition—The presence at the Site of Asbestos, PCBs, Petroleum, Hazardous Waste, or Radioactive Material in such quantities or circumstances that may present a substantial danger to persons or property exposed thereto.

Hazardous Waste—The term Hazardous Waste shall have the meaning provided in Section 1004 of the Solid Waste Disposal Act (42 USC Section 6903) as amended from time to time.

Laws and Regulations; Laws or Regulations—Any and all applicable laws, rules, regulations, ordinances, codes, and orders of any and all governmental bodies, agencies, authorities, and courts having jurisdiction.

Liens—Charges, security interests, or encumbrances upon Project funds, real property, or personal property.

Milestone—A principal event specified in the Contract Documents relating to an intermediate completion date or time prior to Substantial Completion of all the Work.

Notice of Award—The written notice by Owner to the Successful Bidder stating that upon timely compliance by the Successful Bidder with the conditions precedent listed therein, Owner will sign and deliver the Agreement.

Notice to Proceed—A written notice given by Owner to Contractor fixing the date on which the Contract Times will commence to run and on which Contractor shall start to perform the Work under the Contract Documents.

Owner—The individual or entity with whom Contractor has entered into the Agreement and for whom the Work is to be performed.

PCBs—Polychlorinated biphenyls.

Petroleum—Petroleum, including crude oil or any fraction thereof which is liquid at standard conditions of temperature and pressure (60 degrees Fahrenheit and 14.7 pounds per square inch absolute), such as oil, petroleum, fuel oil, oil sludge, oil refuse, gasoline, kerosene, and oil mixed with other non-Hazardous Waste and crude oils.

Progress Schedule—A schedule, prepared and maintained by Contractor, describing the sequence and duration of the activities comprising the Contractor's plan to accomplish the Work within the Contract Times.

Project—The total construction of which the Work to be performed under the Contract Documents may be the whole, or a part.

Project Manual—The bound documentary information prepared for bidding and constructing the Work. A listing of the contents of the Project Manual, which may be bound in one or more volumes, is contained in the table(s) of contents.

Radioactive Material—Source, special nuclear, or byproduct material as defined by the Atomic Energy Act of 1954 (42 USC Section 2011 et seq.) as amended from time to time.

Resident Project Representative—The authorized representative of Engineer who may be assigned to the Site or any part thereof.

Samples—Physical examples of materials, equipment, or workmanship that are representative of some portion of the Work and which establish the standards by which such portion of the Work will be judged.

Schedule of Submittals—A schedule, prepared and maintained by Contractor, of required submittals and the time requirements to support scheduled performance of related construction activities.

Schedule of Values—A schedule, prepared and maintained by Contractor, allocating portions of the Contract Price to various portions of the Work and used as the basis for reviewing Contractor's Applications for Payment.

Shop Drawings—All drawings, diagrams, illustrations, schedules, and other data or information which are specifically prepared or assembled by or for Contractor and submitted by Contractor to illustrate some portion of the Work.

Site—Lands or areas indicated in the Contract Documents as being furnished by Owner upon which the Work is to be performed, including rights-of-way and easements for access thereto, and such other lands furnished by Owner which are designated for the use of Contractor.

Specifications—That part of the Contract Documents consisting of written requirements for materials, equipment, systems, standards and workmanship as applied to the Work, and certain administrative requirements and procedural matters applicable thereto.

Subcontractor—An individual or entity having a direct contract with Contractor or with any other Subcontractor for the performance of a part of the Work at the Site.

Substantial Completion—The time at which the Work (or a specified part thereof) has progressed to the point where, in the opinion of Engineer, the Work (or a specified part thereof) is sufficiently complete, in accordance with the Contract Documents, so that the Work (or a specified part thereof) can be utilized for the purposes for which it is intended. The terms “substantially complete” and “substantially completed” as applied to all or part of the Work refer to Substantial Completion thereof.

Successful Bidder—The Bidder submitting a responsive Bid to whom Owner makes an award.

Supplementary Conditions—That part of the Contract Documents which amends or supplements these General Conditions.

Supplier—A manufacturer, fabricator, supplier, distributor, material man, or vendor having a direct contract with Contractor or with any Subcontractor to furnish materials or equipment to be incorporated in the Work by Contractor or Subcontractor.

Underground Facilities—All underground pipelines, conduits, ducts, cables, wires, manholes, vaults, tanks, tunnels, or other such facilities or attachments, and any encasements containing such facilities, including those that convey electricity, gases, steam, liquid petroleum products, telephone or other communications, cable television, water, wastewater, storm water, other liquids or chemicals, or traffic or other control systems.

Unit Price Work—Work to be paid for on the basis of unit prices.

Work—The entire construction or the various separately identifiable parts thereof required to be provided under the Contract Documents. Work includes and is the result of performing or providing all labor, services, and documentation necessary to produce such construction, and furnishing, installing, and incorporating all materials and equipment into such construction, all as required by the Contract Documents.

Work Change Directive—A written statement to Contractor issued on or after the Effective Date of the Agreement and signed by Owner and recommended by Engineer ordering an

addition, deletion, or revision in the Work, or responding to differing or unforeseen subsurface or physical conditions under which the Work is to be performed or to emergencies. A Work Change Directive will not change the Contract Price or the Contract Times but is evidence that the parties expect that the change ordered or documented by a Work Change Directive will be incorporated in a subsequently issued Change Order following negotiations by the parties as to its effect, if any, on the Contract Price or Contract Times.

Terminology

The words and terms discussed in Paragraph 1.02.B through F are not defined but, when used in the Bidding Requirements or Contract Documents, have the indicated meaning.

Intent of Certain Terms or Adjectives:

The Contract Documents include the terms “as allowed,” “as approved,” “as ordered,” “as directed” or terms of like effect or import to authorize an exercise of professional judgment by Engineer. In addition, the adjectives “reasonable,” “suitable,” “acceptable,” “proper,” “satisfactory,” or adjectives of like effect or import are used to describe an action or determination of Engineer as to the Work. It is intended that such exercise of professional judgment, action, or determination will be solely to evaluate, in general, the Work for compliance with the information in the Contract Documents and with the design concept of the Project as a functioning whole as shown or indicated in the Contract Documents (unless there is a specific statement indicating otherwise). The use of any such term or adjective is not intended to and shall not be effective to assign to Engineer any duty or authority to supervise or direct the performance of the Work, or any duty or authority to undertake responsibility contrary to the provisions of Paragraph 9.09 or any other provision of the Contract Documents.

Day:

The word “day” means a calendar day of 24 hours measured from midnight to the next midnight.

Defective:

The word “defective,” when modifying the word “Work,” refers to Work that is unsatisfactory, faulty, or deficient in that it:

does not conform to the Contract Documents; or

does not meet the requirements of any applicable inspection, reference standard, test, or approval referred to in the Contract Documents; or

has been damaged prior to Engineer’s recommendation of final payment (unless responsibility for the protection thereof has been assumed by Owner at Substantial Completion in accordance with Paragraph 14.04 or 14.05).

Furnish, Install, Perform, Provide:

The word "furnish," when used in connection with services, materials, or equipment, shall mean to supply and deliver said services, materials, or equipment to the Site (or some other specified location) ready for use or installation and in usable or operable condition.

The word "install," when used in connection with services, materials, or equipment, shall mean to put into use or place in final position said services, materials, or equipment complete and ready for intended use.

The words "perform" or "provide," when used in connection with services, materials, or equipment, shall mean to furnish and install said services, materials, or equipment complete and ready for intended use.

When "furnish," "install," "perform," or "provide" is not used in connection with services, materials, or equipment in a context clearly requiring an obligation of Contractor, "provide" is implied.

Unless stated otherwise in the Contract Documents, words or phrases that have a well-known technical or construction industry or trade meaning are used in the Contract Documents in accordance with such recognized meaning.

PRELIMINARY MATTERS

Delivery of Bonds and Evidence of Insurance

When Contractor delivers the executed counterparts of the Agreement to Owner, Contractor shall also deliver to Owner such bonds as Contractor may be required to furnish.

Evidence of Insurance: Before any Work at the Site is started, Contractor and Owner shall each deliver to the other, with copies to each additional insured identified in the Supplementary Conditions, certificates of insurance (and other evidence of insurance which either of them or any additional insured may reasonably request) which Contractor and Owner respectively are required to purchase and maintain in accordance with Article 5.

Copies of Documents

Owner shall furnish to Contractor up to ten printed or hard copies of the Drawings and Project Manual. Additional copies will be furnished upon request at the cost of reproduction.

Commencement of Contract Times; Notice to Proceed

The Contract Times will commence to run on the thirtieth day after the Effective Date of the Agreement or, if a Notice to Proceed is given, on the day indicated in the Notice to Proceed. A Notice to Proceed may be given at any time within 30 days after the Effective Date of the Agreement. In no event will the Contract Times commence to run later than the sixtieth day after the day of Bid opening or the thirtieth day after the Effective Date of the Agreement, whichever date is earlier.

Starting the Work

Contractor shall start to perform the Work on the date when the Contract Times commence to run. No Work shall be done at the Site prior to the date on which the Contract Times commence to run.

Before Starting Construction

Preliminary Schedules: Within 10 days after the Effective Date of the Agreement (unless otherwise specified in the General Requirements), Contractor shall submit to Engineer for timely review:

a preliminary Progress Schedule indicating the times (numbers of days or dates) for starting and completing the various stages of the Work, including any Milestones specified in the Contract Documents;

a preliminary Schedule of Submittals; and

a preliminary Schedule of Values for all of the Work which includes quantities and prices of items which when added together equal the Contract Price and subdivides the Work into component parts in sufficient detail to serve as the basis for progress payments during performance of the Work. Such prices will include an appropriate amount of overhead and profit applicable to each item of Work.

Preconstruction Conference; Designation of Authorized Representatives

Before any Work at the Site is started, a conference attended by Owner, Contractor, Engineer, and others as appropriate will be held to establish a working understanding among the parties as to the Work and to discuss the schedules referred to in Paragraph 2.05.A, procedures for handling Shop Drawings and other submittals, processing Applications for Payment, and maintaining required records.

At this conference Owner and Contractor each shall designate, in writing, a specific individual to act as its authorized representative with respect to the services and responsibilities under the Contract. Such individuals shall have the authority to transmit instructions, receive information, render decisions relative to the Contract, and otherwise act on behalf of each respective party.

Initial Acceptance of Schedules

At least 10 days before submission of the first Application for Payment a conference attended by Contractor, Engineer, and others as appropriate will be held to review for acceptability to Engineer as provided below the schedules submitted in accordance with Paragraph 2.05.A. Contractor shall have an additional 10 days to make corrections and adjustments and to complete and resubmit the schedules. No progress payment shall be made to Contractor until acceptable schedules are submitted to Engineer.

The Progress Schedule will be acceptable to Engineer if it provides an orderly progression of the Work to completion within the Contract Times. Such acceptance will not impose on

Engineer responsibility for the Progress Schedule, for sequencing, scheduling, or progress of the Work, nor interfere with or relieve Contractor from Contractor's full responsibility therefore.

Contractor's Schedule of Submittals will be acceptable to Engineer if it provides a workable arrangement for reviewing and processing the required submittals.

Contractor's Schedule of Values will be acceptable to Engineer as to form and substance if it provides a reasonable allocation of the Contract Price to component parts of the Work.

CONTRACT DOCUMENTS: INTENT, AMENDING, REUSE

Intent

The Contract Documents are complementary; what is required by one is as binding as if required by all.

It is the intent of the Contract Documents to describe a functionally complete project (or part thereof) to be constructed in accordance with the Contract Documents. Any labor, documentation, services, materials, or equipment that reasonably may be inferred from the Contract Documents or from prevailing custom or trade usage as being required to produce the indicated result will be provided whether or not specifically called for, at no additional cost to Owner.

Clarifications and interpretations of the Contract Documents shall be issued by Engineer as provided in Article 9.

Reference Standards

Standards, Specifications, Codes, Laws, and Regulations

Reference to standards, specifications, manuals, or codes of any technical society, organization, or association, or to Laws or Regulations, whether such reference be specific or by implication, shall mean the standard, specification, manual, code, or Laws or Regulations in effect at the time of opening of Bids (or on the Effective Date of the Agreement if there were no Bids), except as may be otherwise specifically stated in the Contract Documents.

No provision of any such standard, specification, manual, or code, or any instruction of a Supplier, shall be effective to change the duties or responsibilities of Owner, Contractor, or Engineer, or any of their subcontractors, consultants, agents, or employees, from those set forth in the Contract Documents. No such provision or instruction shall be effective to assign to Owner, Engineer, or any of their officers, directors, members, partners, employees, agents, consultants, or subcontractors, any duty or authority to supervise or direct the performance of the Work or any duty or authority to undertake responsibility inconsistent with the provisions of the Contract Documents.

Reporting and Resolving Discrepancies

Reporting Discrepancies:

Contractor's Review of Contract Documents Before Starting Work: Before undertaking each part of the Work, Contractor shall carefully study and compare the Contract Documents and check and verify pertinent figures therein and all applicable field measurements. Contractor shall promptly report in writing to Engineer any conflict, error, ambiguity, or discrepancy which Contractor discovers, or has actual knowledge of, and shall obtain a written interpretation or clarification from Engineer before proceeding with any Work affected thereby.

Contractor's Review of Contract Documents During Performance of Work: If, during the performance of the Work, Contractor discovers any conflict, error, ambiguity, or discrepancy within the Contract Documents, or between the Contract Documents and (a) any applicable Law or Regulation, (b) any standard, specification, manual, or code, or (c) any instruction of any Supplier, then Contractor shall promptly report it to Engineer in writing. Contractor shall not proceed with the Work affected thereby (except in an emergency as required by Paragraph 6.16.A) until an amendment or supplement to the Contract Documents has been issued by one of the methods indicated in Paragraph 3.04.

Contractor shall not be liable to Owner or Engineer for failure to report any conflict, error, ambiguity, or discrepancy in the Contract Documents unless Contractor had actual knowledge thereof.

Resolving Discrepancies:

Except as may be otherwise specifically stated in the Contract Documents, the provisions of the Contract Documents shall take precedence in resolving any conflict, error, ambiguity, or discrepancy between the provisions of the Contract Documents and:

the provisions of any standard, specification, manual, or code, or the instruction of any Supplier (whether or not specifically incorporated by reference in the Contract Documents); or

the provisions of any Laws or Regulations applicable to the performance of the Work (unless such an interpretation of the provisions of the Contract Documents would result in violation of such Law or Regulation).

Amending and Supplementing Contract Documents

The Contract Documents may be amended to provide for additions, deletions, and revisions in the Work or to modify the terms and conditions thereof by either a Change Order or a Work Change Directive.

The requirements of the Contract Documents may be supplemented, and minor variations and deviations in the Work may be authorized, by one or more of the following ways:

1. A Field Order;

Engineer's approval of a Shop Drawing or Sample (subject to the provisions of Paragraph 6.17.D.3); or

Engineer's written interpretation or clarification.

Reuse of Documents

Contractor and any Subcontractor or Supplier shall not:

have or acquire any title to or ownership rights in any of the Drawings, Specifications, or other documents (or copies of any thereof) prepared by or bearing the seal of Engineer or its consultants, including electronic media editions; or

reuse any such Drawings, Specifications, other documents, or copies thereof on extensions of the Project or any other project without written consent of Owner and Engineer and specific written verification or adaptation by Engineer.

The prohibitions of this Paragraph 3.05 will survive final payment, or termination of the Contract. Nothing herein shall preclude Contractor from retaining copies of the Contract Documents for record purposes.

Electronic Data

Unless otherwise stated in the Supplementary Conditions, the data furnished by Owner or Engineer to Contractor, or by Contractor to Owner or Engineer, that may be relied upon are limited to the printed copies (also known as hard copies). Files in electronic media format of text, data, graphics, or other types are furnished only for the convenience of the receiving party. Any conclusion or information obtained or derived from such electronic files will be at the user's sole risk. If there is a discrepancy between the electronic files and the hard copies, the hard copies govern.

Because data stored in electronic media format can deteriorate or be modified inadvertently or otherwise without authorization of the data's creator, the party receiving electronic files agrees that it will perform acceptance tests or procedures within 60 days, after which the receiving party shall be deemed to have accepted the data thus transferred. Any errors detected within the 60-day acceptance period will be corrected by the transferring party.

When transferring documents in electronic media format, the transferring party makes no representations as to long term compatibility, usability, or readability of documents resulting from the use of software application packages, operating systems, or computer hardware differing from those used by the data's creator.

AVAILABILITY OF LANDS; SUBSURFACE AND PHYSICAL CONDITIONS; HAZARDOUS ENVIRONMENTAL CONDITIONS; REFERENCE POINTS

Availability of Lands

Owner shall furnish the Site. Owner shall notify Contractor of any encumbrances or restrictions not of general application but specifically related to use of the Site with which Contractor must comply in performing the Work. Owner will obtain in a timely manner and pay for easements for permanent structures or permanent changes in existing facilities. If Contractor and Owner are unable to agree on entitlement to or on the amount or extent, if any, of any adjustment in the Contract Price or Contract Times, or both, as a result of any delay in Owner's furnishing the Site or a part thereof, Contractor may make a Claim therefore as provided in Paragraph 10.05.

Upon reasonable written request, Owner shall furnish Contractor with a current statement of record legal title and legal description of the lands upon which the Work is to be performed and Owner's interest therein as necessary for giving notice of or filing a mechanic's or construction lien against such lands in accordance with applicable Laws and Regulations.

Contractor shall provide for all additional lands and access thereto that may be required for temporary construction facilities or storage of materials and equipment.

Subsurface and Physical Conditions

Reports and Drawings: The Supplementary Conditions identify:

those reports known to Owner of explorations and tests of subsurface conditions at or contiguous to the Site; and

those drawings known to Owner of physical conditions relating to existing surface or subsurface structures at the Site (except Underground Facilities).

Limited Reliance by Contractor on Technical Data Authorized: Contractor may rely upon the accuracy of the "technical data" contained in such reports and drawings, but such reports and drawings are not Contract Documents. Such "technical data" is identified in the Supplementary Conditions. Except for such reliance on such "technical data," Contractor may not rely upon or make any claim against Owner or Engineer, or any of their officers, directors, members, partners, employees, agents, consultants, or subcontractors with respect to:

the completeness of such reports and drawings for Contractor's purposes, including, but not limited to, any aspects of the means, methods, techniques, sequences, and procedures of construction to be employed by Contractor, and safety precautions and programs incident thereto; or

other data, interpretations, opinions, and information contained in such reports or shown or indicated in such drawings; or

any Contractor interpretation of or conclusion drawn from any "technical data" or any such other data, interpretations, opinions, or information.

Differing Subsurface or Physical Conditions

Notice: If Contractor believes that any subsurface or physical condition that is uncovered or revealed either:

is of such a nature as to establish that any "technical data" on which Contractor is entitled to rely as provided in Paragraph 4.02 is materially inaccurate; or

is of such a nature as to require a change in the Contract Documents; or

differs materially from that shown or indicated in the Contract Documents; or

is of an unusual nature, and differs materially from conditions ordinarily encountered and generally recognized as inherent in work of the character provided for in the Contract Documents;

then Contractor shall, promptly after becoming aware thereof and before further disturbing the subsurface or physical conditions or performing any Work in connection therewith (except in an emergency as required by Paragraph 6.16.A), notify Owner and Engineer in writing about such condition. Contractor shall not further disturb such condition or perform any Work in connection therewith (except as aforesaid) until receipt of written order to do so.

Engineer's Review: After receipt of written notice as required by Paragraph 4.03.A, Engineer will promptly review the pertinent condition, determine the necessity of Owner's obtaining additional exploration or tests with respect thereto, and advise Owner in writing (with a copy to Contractor) of Engineer's findings and conclusions.

Possible Price and Times Adjustments:

The Contract Price or the Contract Times, or both, will be equitably adjusted to the extent that the existence of such differing subsurface or physical condition causes an increase or decrease in Contractor's cost of, or time required for, performance of the Work; subject, however, to the following:

such condition must meet any one or more of the categories described in Paragraph 4.03.A; and

with respect to Work that is paid for on a unit price basis, any adjustment in Contract Price will be subject to the provisions of Paragraphs 9.07 and 11.03.

Contractor shall not be entitled to any adjustment in the Contract Price or Contract Times if:

Contractor knew of the existence of such conditions at the time Contractor made a final commitment to Owner with respect to Contract Price and Contract Times by the submission of a Bid or becoming bound under a negotiated contract; or

the existence of such condition could reasonably have been discovered or revealed as a result of any examination, investigation, exploration, test, or study of the Site and contiguous

areas required by the Bidding Requirements or Contract Documents to be conducted by or for Contractor prior to Contractor's making such final commitment; or

Contractor failed to give the written notice as required by Paragraph 4.03.A.

If Owner and Contractor are unable to agree on entitlement to or on the amount or extent, if any, of any adjustment in the Contract Price or Contract Times, or both, a Claim may be made therefore as provided in Paragraph 10.05. However, neither Owner or Engineer, or any of their officers, directors, members, partners, employees, agents, consultants, or subcontractors shall be liable to Contractor for any claims, costs, losses, or damages (including but not limited to all fees and charges of engineers, architects, attorneys, and other professionals and all court or arbitration or other dispute resolution costs) sustained by Contractor on or in connection with any other project or anticipated project.

Underground Facilities

Shown or Indicated: The information and data shown or indicated in the Contract Documents with respect to existing Underground Facilities at or contiguous to the Site is based on information and data furnished to Owner or Engineer by the owners of such Underground Facilities, including Owner, or by others. Unless it is otherwise expressly provided in the Supplementary Conditions:

Owner and Engineer shall not be responsible for the accuracy or completeness of any such information or data provided by others; and

the cost of all of the following will be included in the Contract Price, and Contractor shall have full responsibility for:

reviewing and checking all such information and data;

locating all Underground Facilities shown or indicated in the Contract Documents;

coordination of the Work with the owners of such Underground Facilities, including Owner, during construction; and

the safety and protection of all such Underground Facilities and repairing any damage thereto resulting from the Work.

Not Shown or Indicated:

If an Underground Facility is uncovered or revealed at or contiguous to the Site which was not shown or indicated, or not shown or indicated with reasonable accuracy in the Contract Documents, Contractor shall, promptly after becoming aware thereof and before further disturbing conditions affected thereby or performing any Work in connection therewith (except in an emergency as required by Paragraph 6.16.A), identify the owner of such Underground Facility and give written notice to that owner and to Owner and Engineer. Engineer will promptly review the Underground Facility and determine the extent, if any, to which a change is required in the Contract Documents to reflect and document the consequences of the existence or location of the Underground Facility. During such time, Contractor shall be responsible for the safety and protection of such Underground Facility.

If Engineer concludes that a change in the Contract Documents is required, a Work Change Directive or a Change Order will be issued to reflect and document such consequences. An equitable adjustment shall be made in the Contract Price or Contract Times, or both, to the extent that they are attributable to the existence or location of any Underground Facility that was not shown or indicated or not shown or indicated with reasonable accuracy in the Contract Documents and that Contractor did not know of and could not reasonably have been expected to be aware of or to have anticipated. If Owner and Contractor are unable to agree on entitlement to or on the amount or extent, if any, of any such adjustment in Contract Price or Contract Times, Owner or Contractor may make a Claim therefore as provided in Paragraph 10.05.

Reference Points

Owner shall provide engineering surveys to establish reference points for construction which in Engineer's judgment are necessary to enable Contractor to proceed with the Work. Contractor shall be responsible for laying out the Work, shall protect and preserve the established reference points and property monuments, and shall make no changes or relocations without the prior written approval of Owner. Contractor shall report to Engineer whenever any reference point or property monument is lost or destroyed or requires relocation because of necessary changes in grades or locations, and shall be responsible for the accurate replacement or relocation of such reference points or property monuments by professionally qualified personnel.

Hazardous Environmental Condition at Site

Reports and Drawings: The Supplementary Conditions identify those reports and drawings known to Owner relating to Hazardous Environmental Conditions that have been identified at the Site.

Limited Reliance by Contractor on Technical Data Authorized: Contractor may rely upon the accuracy of the "technical data" contained in such reports and drawings, but such reports and drawings are not Contract Documents. Such "technical data" is identified in the Supplementary Conditions. Except for such reliance on such "technical data," Contractor may not rely upon or make any claim against Owner or Engineer, or any of their officers, directors, members, partners, employees, agents, consultants, or subcontractors with respect to:

the completeness of such reports and drawings for Contractor's purposes, including, but not limited to, any aspects of the means, methods, techniques, sequences and procedures of construction to be employed by Contractor and safety precautions and programs incident thereto; or

other data, interpretations, opinions and information contained in such reports or shown or indicated in such drawings; or

any Contractor interpretation of or conclusion drawn from any "technical data" or any such other data, interpretations, opinions or information.

Contractor shall not be responsible for any Hazardous Environmental Condition uncovered or revealed at the Site which was not shown or indicated in Drawings or Specifications or identified in the Contract Documents to be within the scope of the Work. Contractor shall be responsible for

a Hazardous Environmental Condition created with any materials brought to the Site by Contractor, Subcontractors, Suppliers, or anyone else for whom Contractor is responsible.

If Contractor encounters a Hazardous Environmental Condition or if Contractor or anyone for whom Contractor is responsible creates a Hazardous Environmental Condition, Contractor shall immediately: (i) secure or otherwise isolate such condition; (ii) stop all Work in connection with such condition and in any area affected thereby (except in an emergency as required by Paragraph 6.16.A); and (iii) notify Owner and Engineer (and promptly thereafter confirm such notice in writing). Owner shall promptly consult with Engineer concerning the necessity for Owner to retain a qualified expert to evaluate such condition or take corrective action, if any. Promptly after consulting with Engineer, Owner shall take such actions as are necessary to permit Owner to timely obtain required permits and provide Contractor the written notice required by Paragraph 4.06.E.

Contractor shall not be required to resume Work in connection with such condition or in any affected area until after Owner has obtained any required permits related thereto and delivered written notice to Contractor: (i) specifying that such condition and any affected area is or has been rendered safe for the resumption of Work; or (ii) specifying any special conditions under which such Work may be resumed safely. If Owner and Contractor cannot agree as to entitlement to or on the amount or extent, if any, of any adjustment in Contract Price or Contract Times, or both, as a result of such Work stoppage or such special conditions under which Work is agreed to be resumed by Contractor, either party may make a Claim therefore as provided in Paragraph 10.05.

If after receipt of such written notice Contractor does not agree to resume such Work based on a reasonable belief it is unsafe, or does not agree to resume such Work under such special conditions, then Owner may order the portion of the Work that is in the area affected by such condition to be deleted from the Work. If Owner and Contractor cannot agree as to entitlement to or on the amount or extent, if any, of an adjustment in Contract Price or Contract Times as a result of deleting such portion of the Work, then either party may make a Claim therefore as provided in Paragraph 10.05. Owner may have such deleted portion of the Work performed by Owner's own forces or others in accordance with Article 7.

To the fullest extent permitted by Laws and Regulations, Owner shall indemnify and hold harmless Contractor, Subcontractors, and Engineer, and the officers, directors, members, partners, employees, agents, consultants, and subcontractors of each and any of them from and against all claims, costs, losses, and damages (including but not limited to all fees and charges of engineers, architects, attorneys, and other professionals and all court or arbitration or other dispute resolution costs) arising out of or relating to a Hazardous Environmental Condition, provided that such Hazardous Environmental Condition: (i) was not shown or indicated in the Drawings or Specifications or identified in the Contract Documents to be included within the scope of the Work, and (ii) was not created by Contractor or by anyone for whom Contractor is responsible. Nothing in this Paragraph 4.06.G shall obligate Owner to indemnify any individual or entity from and against the consequences of that individual's or entity's own negligence.

To the fullest extent permitted by Laws and Regulations, Contractor shall indemnify and hold harmless Owner and Engineer, and the officers, directors, members, partners, employees, agents, consultants, and subcontractors of each and any of them from and against all claims, costs, losses, and damages (including but not limited to all fees and charges of engineers, architects, attorneys,

and other professionals and all court or arbitration or other dispute resolution costs) arising out of or relating to a Hazardous Environmental Condition created by Contractor or by anyone for whom Contractor is responsible. Nothing in this Paragraph 4.06.H shall obligate Contractor to indemnify any individual or entity from and against the consequences of that individual's or entity's own negligence.

The provisions of Paragraphs 4.02, 4.03, and 4.04 do not apply to a Hazardous Environmental Condition uncovered or revealed at the Site.

BONDS AND INSURANCE

Performance, Payment, and Other Bonds

Contractor shall furnish performance and payment bonds, each in an amount at least equal to the Contract Price as security for the faithful performance and payment of all of Contractor's obligations under the Contract Documents. These bonds shall remain in effect until one year after the date when final payment becomes due or until completion of the correction period specified in Paragraph 13.07, whichever is later, except as provided otherwise by Laws or Regulations or by the Contract Documents. Contractor shall also furnish such other bonds as are required by the Contract Documents.

All bonds shall be in the form prescribed by the Contract Documents except as provided otherwise by Laws or Regulations, and shall be executed by such sureties as are named in the list of "Companies Holding Certificates of Authority as Acceptable Sureties on Federal Bonds and as Acceptable Reinsuring Companies" as published in Circular 570 (amended) by the Financial Management Service, Surety Bond Branch, U.S. Department of the Treasury. All bonds signed by an agent or attorney-in-fact must be accompanied by a certified copy of that individual's authority to bind the surety. The evidence of authority shall show that it is effective on the date the agent or attorney-in-fact signed each bond.

If the surety on any bond furnished by Contractor is declared bankrupt or becomes insolvent or its right to do business is terminated in any state where any part of the Project is located or it ceases to meet the requirements of Paragraph 5.01.B, Contractor shall promptly notify Owner and Engineer and shall, within 20 days after the event giving rise to such notification, provide another bond and surety, both of which shall comply with the requirements of Paragraphs 5.01.B and 5.02.

Licensed Sureties and Insurers

All bonds and insurance required by the Contract Documents to be purchased and maintained by Owner or Contractor shall be obtained from surety or insurance companies that are duly licensed or authorized in the jurisdiction in which the Project is located to issue bonds or insurance policies for the limits and coverage's so required. Such surety and insurance companies shall also

meet such additional requirements and qualifications as may be provided in the Supplementary Conditions.

Certificates of Insurance

Contractor shall deliver to Owner, with copies to each additional insured and loss payee identified in the Supplementary Conditions, certificates of insurance (and other evidence of insurance requested by Owner or any other additional insured) which Contractor is required to purchase and maintain.

Owner shall deliver to Contractor, with copies to each additional insured and loss payee identified in the Supplementary Conditions, certificates of insurance (and other evidence of insurance requested by Contractor or any other additional insured) which Owner is required to purchase and maintain.

Failure of Owner to demand such certificates or other evidence of Contractor's full compliance with these insurance requirements or failure of Owner to identify a deficiency in compliance from the evidence provided shall not be construed as a waiver of Contractor's obligation to maintain such insurance.

Owner does not represent that insurance coverage and limits established in this Contract necessarily will be adequate to protect Contractor.

The insurance and insurance limits required herein shall not be deemed as a limitation on Contractor's liability under the indemnities granted to Owner in the Contract Documents.

Contractor's Insurance

Contractor shall purchase and maintain such insurance as is appropriate for the Work being performed and as will provide protection from claims set forth below which may arise out of or result from Contractor's performance of the Work and Contractor's other obligations under the Contract Documents, whether it is to be performed by Contractor, any Subcontractor or Supplier, or by anyone directly or indirectly employed by any of them to perform any of the Work, or by anyone for whose acts any of them may be liable:

claims under workers' compensation, disability benefits, and other similar employee benefit acts;

claims for damages because of bodily injury, occupational sickness or disease, or death of Contractor's employees;

claims for damages because of bodily injury, sickness or disease, or death of any person other than Contractor's employees;

claims for damages insured by reasonably available personal injury liability coverage which are sustained:

by any person as a result of an offense directly or indirectly related to the employment of such person by Contractor, or

by any other person for any other reason;

claims for damages, other than to the Work itself, because of injury to or destruction of tangible property wherever located, including loss of use resulting there from; and

claims for damages because of bodily injury or death of any person or property damage arising out of the ownership, maintenance or use of any motor vehicle.

The policies of insurance required by this Paragraph 5.04 shall:

with respect to insurance required by Paragraphs 5.04.A.3 through 5.04.A.6 inclusive, be written on an occurrence basis, include as additional insured's (subject to any customary exclusion regarding professional liability) Owner and Engineer, and any other individuals or entities identified in the Supplementary Conditions, all of whom shall be listed as additional insured's, and include coverage for the respective officers, directors, members, partners, employees, agents, consultants, and subcontractors of each and any of all such additional insured's, and the insurance afforded to these additional insured's shall provide primary coverage for all claims covered thereby;

include at least the specific coverage's and be written for not less than the limits of liability provided in the Supplementary Conditions or required by Laws or Regulations, whichever is greater;

include contractual liability insurance covering Contractor's indemnity obligations under Paragraphs 6.11 and 6.20;

contain a provision or endorsement that the coverage afforded will not be canceled, materially changed or renewal refused until at least 30 days prior written notice has been given to Owner and Contractor and to each other additional insured identified in the Supplementary Conditions to whom a certificate of insurance has been issued (and the certificates of insurance furnished by the Contractor pursuant to Paragraph 5.03 will so provide);

remain in effect at least until final payment and at all times thereafter when Contractor may be correcting, removing, or replacing defective Work in accordance with Paragraph 13.07; and

include completed operations coverage:

Such insurance shall remain in effect for two years after final payment.

Contractor shall furnish Owner and each other additional insured identified in the Supplementary Conditions, to whom a certificate of insurance has been issued, evidence satisfactory to Owner and any such additional insured of continuation of such insurance at final payment and one year thereafter.

Owner's Liability Insurance

In addition to the insurance required to be provided by Contractor under Paragraph 5.04, Owner, at Owner's option, may purchase and maintain at Owner's expense Owner's own liability insurance as will protect Owner against claims which may arise from operations under the Contract Documents.

Property Insurance

Unless otherwise provided in the Supplementary Conditions, Owner shall purchase and maintain property insurance upon the Work at the Site in the amount of the full replacement cost thereof (subject to such deductible amounts as may be provided in the Supplementary Conditions or required by Laws and Regulations). This insurance shall:

include the interests of Owner, Contractor, Subcontractors, and Engineer, and any other individuals or entities identified in the Supplementary Conditions, and the officers, directors, members, partners, employees, agents, consultants, and subcontractors of each and any of them, each of whom is deemed to have an insurable interest and shall be listed as a loss payee;

be written on a Builder's Risk "all-risk" policy form that shall at least include insurance for physical loss or damage to the Work, temporary buildings, falsework, and materials and equipment in transit, and shall insure against at least the following perils or causes of loss: fire, lightning, extended coverage, theft, vandalism and malicious mischief, earthquake, collapse, debris removal, demolition occasioned by enforcement of Laws and Regulations, water damage (other than that caused by flood), and such other perils or causes of loss as may be specifically required by the Supplementary Conditions.

include expenses incurred in the repair or replacement of any insured property (including but not limited to fees and charges of engineers and architects);

cover materials and equipment stored at the Site or at another location that was agreed to in writing by Owner prior to being incorporated in the Work, provided that such materials and equipment have been included in an Application for Payment recommended by Engineer;

allow for partial utilization of the Work by Owner;

include testing and startup; and

be maintained in effect until final payment is made unless otherwise agreed to in writing by Owner, Contractor, and Engineer with 30 days written notice to each other loss payee to whom a certificate of insurance has been issued.

Owner shall purchase and maintain such equipment breakdown insurance or additional property insurance as may be required by the Supplementary Conditions or Laws and Regulations which will include the interests of Owner, Contractor, Subcontractors, and Engineer, and any other individuals or entities identified in the Supplementary Conditions, and the officers, directors,

members, partners, employees, agents, consultants and subcontractors of each and any of them, each of whom is deemed to have an insurable interest and shall be listed as a loss payee.

All the policies of insurance (and the certificates or other evidence thereof) required to be purchased and maintained in accordance with this Paragraph 5.06 will contain a provision or endorsement that the coverage afforded will not be canceled or materially changed or renewal refused until at least 30 days prior written notice has been given to Owner and Contractor and to each other loss payee to whom a certificate of insurance has been issued and will contain waiver provisions in accordance with Paragraph 5.07.

Owner shall not be responsible for purchasing and maintaining any property insurance specified in this Paragraph 5.06 to protect the interests of Contractor, Subcontractors, or others in the Work to the extent of any deductible amounts that are identified in the Supplementary Conditions. The risk of loss within such identified deductible amount will be borne by Contractor, Subcontractors, or others suffering any such loss, and if any of them wishes property insurance coverage within the limits of such amounts, each may purchase and maintain it at the purchaser's own expense.

If Contractor requests in writing that other special insurance be included in the property insurance policies provided under this Paragraph 5.06, Owner shall, if possible, include such insurance, and the cost thereof will be charged to Contractor by appropriate Change Order. Prior to commencement of the Work at the Site, Owner shall in writing advise Contractor whether or not such other insurance has been procured by Owner.

Waiver of Rights

Owner and Contractor intend that all policies purchased in accordance with Paragraph 5.06 will protect Owner, Contractor, Subcontractors, and Engineer, and all other individuals or entities identified in the Supplementary Conditions as loss payees (and the officers, directors, members, partners, employees, agents, consultants, and subcontractors of each and any of them) in such policies and will provide primary coverage for all losses and damages caused by the perils or causes of loss covered thereby. All such policies shall contain provisions to the effect that in the event of payment of any loss or damage the insurers will have no rights of recovery against any of the insured's or loss payees there under. Owner and Contractor waive all rights against each other and their respective officers, directors, members, partners, employees, agents, consultants and subcontractors of each and any of them for all losses and damages caused by, arising out of or resulting from any of the perils or causes of loss covered by such policies and any other property insurance applicable to the Work; and, in addition, waive all such rights against Subcontractors and Engineer, and all other individuals or entities identified in the Supplementary Conditions as loss payees (and the officers, directors, members, partners, employees, agents, consultants, and subcontractors of each and any of them) under such policies for losses and damages so caused. None of the above waivers shall extend to the rights that any party making such waiver may have to the proceeds of insurance held by Owner as trustee or otherwise payable under any policy so issued.

Owner waives all rights against Contractor, Subcontractors, and Engineer, and the officers, directors, members, partners, employees, agents, consultants and subcontractors of each and any of them for:

loss due to business interruption, loss of use, or other consequential loss extending beyond direct physical loss or damage to Owner's property or the Work caused by, arising out of, or resulting from fire or other perils whether or not insured by Owner; and

loss or damage to the completed Project or part thereof caused by, arising out of, or resulting from fire or other insured peril or cause of loss covered by any property insurance maintained on the completed Project or part thereof by Owner during partial utilization pursuant to Paragraph 14.05, after Substantial Completion pursuant to Paragraph 14.04, or after final payment pursuant to Paragraph 14.07.

Any insurance policy maintained by Owner covering any loss, damage or consequential loss referred to in Paragraph 5.07.B shall contain provisions to the effect that in the event of payment of any such loss, damage, or consequential loss, the insurers will have no rights of recovery against Contractor, Subcontractors, or Engineer, and the officers, directors, members, partners, employees, agents, consultants and subcontractors of each and any of them.

Receipt and Application of Insurance Proceeds

Any insured loss under the policies of insurance required by Paragraph 5.06 will be adjusted with Owner and made payable to Owner as fiduciary for the loss payees, as their interests may appear, subject to the requirements of any applicable mortgage clause and of Paragraph 5.08.B. Owner shall deposit in a separate account any money so received and shall distribute it in accordance with such agreement as the parties in interest may reach. If no other special agreement is reached, the damaged Work shall be repaired or replaced, the moneys so received applied on account thereof, and the Work and the cost thereof covered by an appropriate Change Order.

Owner as fiduciary shall have power to adjust and settle any loss with the insurers unless one of the parties in interest shall object in writing within 15 days after the occurrence of loss to Owner's exercise of this power. If such objection be made, Owner as fiduciary shall make settlement with the insurers in accordance with such agreement as the parties in interest may reach. If no such agreement among the parties in interest is reached, Owner as fiduciary shall adjust and settle the loss with the insurers and, if required in writing by any party in interest, Owner as fiduciary shall give bond for the proper performance of such duties.

Acceptance of Bonds and Insurance; Option to Replace

If either Owner or Contractor has any objection to the coverage afforded by or other provisions of the bonds or insurance required to be purchased and maintained by the other party in accordance with Article 5 on the basis of non-conformance with the Contract Documents, the objecting party shall so notify the other party in writing within 10 days after receipt of the certificates (or other evidence requested) required by Paragraph 2.01.B. Owner and Contractor shall each provide to the other such additional information in respect of insurance provided as the other may reasonably request. If either party does not purchase or maintain all of the bonds and insurance required of such party by the Contract Documents, such party shall notify the other party in writing of such failure to purchase prior to the start of the Work, or of such failure to maintain prior to any change in the required coverage. Without prejudice to any other right or remedy, the other party may elect to obtain equivalent bonds or insurance to protect such other party's

interests at the expense of the party who was required to provide such coverage, and a Change Order shall be issued to adjust the Contract Price accordingly.

Partial Utilization, Acknowledgment of Property Insurer

If Owner finds it necessary to occupy or use a portion or portions of the Work prior to Substantial Completion of all the Work as provided in Paragraph 14.05, no such use or occupancy shall commence before the insurers providing the property insurance pursuant to Paragraph 5.06 have acknowledged notice thereof and in writing effected any changes in coverage necessitated thereby. The insurers providing the property insurance shall consent by endorsement on the policy or

policies, but the property insurance shall not be canceled or permitted to lapse on account of any such partial use or occupancy.

CONTRACTOR'S RESPONSIBILITIES

Supervision and Superintendence

Contractor shall supervise, inspect, and direct the Work competently and efficiently, devoting such attention thereto and applying such skills and expertise as may be necessary to perform the Work in accordance with the Contract Documents. Contractor shall be solely responsible for the means, methods, techniques, sequences, and procedures of construction. Contractor shall not be responsible for the negligence of Owner or Engineer in the design or specification of a specific means, method, technique, sequence, or procedure of construction which is shown or indicated in and expressly required by the Contract Documents.

At all times during the progress of the Work, Contractor shall assign a competent resident superintendent who shall not be replaced without written notice to Owner and Engineer except under extraordinary circumstances.

Labor; Working Hours

Contractor shall provide competent, suitably qualified personnel to survey and lay out the Work and perform construction as required by the Contract Documents. Contractor shall at all times maintain good discipline and order at the Site.

Except as otherwise required for the safety or protection of persons or the Work or property at the Site or adjacent thereto, and except as otherwise stated in the Contract Documents, all Work at the Site shall be performed during regular working hours. Contractor will not permit the performance of Work on a Saturday, Sunday, or any legal holiday without Owner's written consent (which will not be unreasonably withheld) given after prior written notice to Engineer.

Services, Materials, and Equipment

Unless otherwise specified in the Contract Documents, Contractor shall provide and assume full responsibility for all services, materials, equipment, labor, transportation, construction equipment and machinery, tools, appliances, fuel, power, light, heat, telephone, water, sanitary facilities, temporary facilities, and all other facilities and incidentals necessary for the performance, testing, start-up, and completion of the Work.

All materials and equipment incorporated into the Work shall be as specified or, if not specified, shall be of good quality and new, except as otherwise provided in the Contract Documents. All special warranties and guarantees required by the Specifications shall expressly run to the benefit of Owner. If required by Engineer, Contractor shall furnish satisfactory evidence (including reports of required tests) as to the source, kind, and quality of materials and equipment.

All materials and equipment shall be stored, applied, installed, connected, erected, protected, used, cleaned, and conditioned in accordance with instructions of the applicable Supplier, except as otherwise may be provided in the Contract Documents.

Progress Schedule

Contractor shall adhere to the Progress Schedule established in accordance with Paragraph 2.07 as it may be adjusted from time to time as provided below.

Contractor shall submit to Engineer for acceptance (to the extent indicated in Paragraph 2.07) proposed adjustments in the Progress Schedule that will not result in changing the Contract Times. Such adjustments will comply with any provisions of the General Requirements applicable thereto.

Proposed adjustments in the Progress Schedule that will change the Contract Times shall be submitted in accordance with the requirements of Article 12. Adjustments in Contract Times may only be made by a Change Order.

Substitutes and "Or-Equals"

Whenever an item of material or equipment is specified or described in the Contract Documents by using the name of a proprietary item or the name of a particular Supplier, the specification or description is intended to establish the type, function, appearance, and quality required. Unless the specification or description contains or is followed by words reading that no like, equivalent, or "or-equal" item or no substitution is permitted, other items of material or equipment or material or equipment of other Suppliers may be submitted to Engineer for review under the circumstances described below.

"Or-Equal" Items: If in Engineer's sole discretion an item of material or equipment proposed by Contractor is functionally equal to that named and sufficiently similar so that no change in related Work will be required, it may be considered by Engineer as an "or-equal" item, in which case review and approval of the proposed item may, in Engineer's sole discretion, be accomplished without compliance with some or all of the requirements for approval of proposed substitute items. For the purposes of this Paragraph 6.05.A.1, a proposed item of material or equipment will be considered functionally equal to an item so named if:

in the exercise of reasonable judgment Engineer determines that:

it is at least equal in materials of construction, quality, durability, appearance, strength, and design characteristics;

it will reliably perform at least equally well the function and achieve the results imposed by the design concept of the completed Project as a functioning whole; and

it has a proven record of performance and availability of responsive service.

Contractor certifies that, if approved and incorporated into the Work:

there will be no increase in cost to the Owner or increase in Contract Times; and

it will conform substantially to the detailed requirements of the item named in the Contract Documents.

Substitute Items:

If in Engineer's sole discretion an item of material or equipment proposed by Contractor does not qualify as an "or-equal" item under Paragraph 6.05.A.1, it will be considered a proposed substitute item.

Contractor shall submit sufficient information as provided below to allow Engineer to determine if the item of material or equipment proposed is essentially equivalent to that named and an acceptable substitute therefore. Requests for review of proposed substitute items of material or equipment will not be accepted by Engineer from anyone other than Contractor.

The requirements for review by Engineer will be as set forth in Paragraph 6.05.A.2.d, as supplemented by the General Requirements, and as Engineer may decide is appropriate under the circumstances.

Contractor shall make written application to Engineer for review of a proposed substitute item of material or equipment that Contractor seeks to furnish or use. The application:

shall certify that the proposed substitute item will:

perform adequately the functions and achieve the results called for by the general design,

be similar in substance to that specified, and

be suited to the same use as that specified;

will state:

the extent, if any, to which the use of the proposed substitute item will prejudice Contractor's achievement of Substantial Completion on time,

whether use of the proposed substitute item in the Work will require a change in any of the Contract Documents (or in the provisions of any other direct contract with Owner for other work on the Project) to adapt the design to the proposed substitute item, and

whether incorporation or use of the proposed substitute item in connection with the Work is subject to payment of any license fee or royalty;

will identify:

all variations of the proposed substitute item from that specified, and

available engineering, sales, maintenance, repair, and replacement services; and

shall contain an itemized estimate of all costs or credits that will result directly or indirectly from use of such substitute item, including costs of redesign and claims of other contractors affected by any resulting change.

Substitute Construction Methods or Procedures: If a specific means, method, technique, sequence, or procedure of construction is expressly required by the Contract Documents, Contractor may furnish or utilize a substitute means, method, technique, sequence, or procedure of construction approved by Engineer. Contractor shall submit sufficient information to allow Engineer, in Engineer's sole discretion, to determine that the substitute proposed is equivalent to that expressly called for by the Contract Documents. The requirements for review by Engineer will be similar to those provided in Paragraph 6.05.A.2.

Engineer's Evaluation: Engineer will be allowed a reasonable time within which to evaluate each proposal or submittal made pursuant to Paragraphs 6.05.A and 6.05.B. Engineer may require Contractor to furnish additional data about the proposed substitute item. Engineer will be the sole judge of acceptability. No "or equal" or substitute will be ordered, installed or utilized until Engineer's review is complete, which will be evidenced by a Change Order in the case of a substitute and an approved Shop Drawing for an "or equal." Engineer will advise Contractor in writing of any negative determination.

Special Guarantee: Owner may require Contractor to furnish at Contractor's expense a special performance guarantee or other surety with respect to any substitute.

Engineer's Cost Reimbursement: Engineer will record Engineer's costs in evaluating a substitute proposed or submitted by Contractor pursuant to Paragraphs 6.05.A.2 and 6.05.B. Whether or not Engineer approves a substitute so proposed or submitted by Contractor, Contractor shall reimburse Owner for the reasonable charges of Engineer for evaluating each such proposed substitute. Contractor shall also reimburse Owner for the reasonable charges of Engineer for making changes in the Contract Documents (or in the provisions of any other direct contract with Owner) resulting from the acceptance of each proposed substitute.

Contractor's Expense: Contractor shall provide all data in support of any proposed substitute or "or-equal" at Contractor's expense.

Concerning Subcontractors, Suppliers, and Others

Contractor shall not employ any Subcontractor, Supplier, or other individual or entity (including those acceptable to Owner as indicated in Paragraph 6.06.B), whether initially or as a replacement, against whom Owner may have reasonable objection. Contractor shall not be required to employ any Subcontractor, Supplier, or other individual or entity to furnish or perform any of the Work against whom Contractor has reasonable objection.

If the Supplementary Conditions require the identity of certain Subcontractors, Suppliers, or other individuals or entities to be submitted to Owner in advance for acceptance by Owner by a specified date prior to the Effective Date of the Agreement, and if Contractor has submitted a list thereof in accordance with the Supplementary Conditions, Owner's acceptance (either in writing or by failing to make written objection thereto by the date indicated for acceptance or objection in the Bidding Documents or the Contract Documents) of any such Subcontractor, Supplier, or other

individual or entity so identified may be revoked on the basis of reasonable objection after due investigation. Contractor shall submit an acceptable replacement for the rejected Subcontractor, Supplier, or other individual or entity, and the Contract Price will be adjusted by the difference in the cost occasioned by such replacement, and an appropriate Change Order will be issued. No acceptance by Owner of any such Subcontractor, Supplier, or other individual or entity, whether initially or as a replacement, shall constitute a waiver of any right of Owner or Engineer to reject defective Work.

Contractor shall be fully responsible to Owner and Engineer for all acts and omissions of the Subcontractors, Suppliers, and other individuals or entities performing or furnishing any of the Work just as Contractor is responsible for Contractor's own acts and omissions. Nothing in the Contract Documents:

shall create for the benefit of any such Subcontractor, Supplier, or other individual or entity any contractual relationship between Owner or Engineer and any such Subcontractor, Supplier or other individual or entity; nor

shall create any obligation on the part of Owner or Engineer to pay or to see to the payment of any moneys due any such Subcontractor, Supplier, or other individual or entity except as may otherwise be required by Laws and Regulations.

Contractor shall be solely responsible for scheduling and coordinating the Work of Subcontractors, Suppliers, and other individuals or entities performing or furnishing any of the Work under a direct or indirect contract with Contractor.

Contractor shall require all Subcontractors, Suppliers, and such other individuals or entities performing or furnishing any of the Work to communicate with Engineer through Contractor.

The divisions and sections of the Specifications and the identifications of any Drawings shall not control Contractor in dividing the Work among Subcontractors or Suppliers or delineating the Work to be performed by any specific trade.

All Work performed for Contractor by a Subcontractor or Supplier will be pursuant to an appropriate agreement between Contractor and the Subcontractor or Supplier which specifically binds the Subcontractor or Supplier to the applicable terms and conditions of the Contract Documents for the benefit of Owner and Engineer. Whenever any such agreement is with a Subcontractor or Supplier who is listed as a loss payee on the property insurance provided in Paragraph 5.06, the agreement between the Contractor and the Subcontractor or Supplier will contain provisions whereby the Subcontractor or Supplier waives all rights against Owner,

Contractor, Engineer, and all other individuals or entities identified in the Supplementary Conditions to be listed as insured's or loss payees (and the officers, directors, members, partners, employees, agents, consultants, and subcontractors of each and any of them) for all losses and damages caused by, arising out of, relating to, or resulting from any of the perils or causes of loss covered by such policies and any other property insurance applicable to the Work. If the insurers on any such policies require separate waiver forms to be signed by any Subcontractor or Supplier, Contractor will obtain the same.

Patent Fees and Royalties

Contractor shall pay all license fees and royalties and assume all costs incident to the use in the performance of the Work or the incorporation in the Work of any invention, design, process, product, or device which is the subject of patent rights or copyrights held by others. If a particular invention, design, process, product, or device is specified in the Contract Documents for use in the performance of the Work and if, to the actual knowledge of Owner or Engineer, its use is subject to patent rights or copyrights calling for the payment of any license fee or royalty to others, the existence of such rights shall be disclosed by Owner in the Contract Documents.

To the fullest extent permitted by Laws and Regulations, Owner shall indemnify and hold harmless Contractor, and its officers, directors, members, partners, employees, agents, consultants, and subcontractors from and against all claims, costs, losses, and damages (including but not limited to all fees and charges of engineers, architects, attorneys, and other professionals, and all court or arbitration or other dispute resolution costs) arising out of or relating to any infringement of patent rights or copyrights incident to the use in the performance of the Work or resulting from the incorporation in the Work of any invention, design, process, product, or device specified in the Contract Documents, but not identified as being subject to payment of any license fee or royalty to others required by patent rights or copyrights.

To the fullest extent permitted by Laws and Regulations, Contractor shall indemnify and hold harmless Owner and Engineer, and the officers, directors, members, partners, employees, agents, consultants and subcontractors of each and any of them from and against all claims, costs, losses, and damages (including but not limited to all fees and charges of engineers, architects, attorneys, and other professionals and all court or arbitration or other dispute resolution costs) arising out of or relating to any infringement of patent rights or copyrights incident to the use in the performance of the Work or resulting from the incorporation in the Work of any invention, design, process, product, or device not specified in the Contract Documents.

Permits

Unless otherwise provided in the Supplementary Conditions, Contractor shall obtain and pay for all construction permits and licenses. Owner shall assist Contractor, when necessary, in obtaining such permits and licenses. Contractor shall pay all governmental charges and inspection fees necessary for the prosecution of the Work which are applicable at the time of opening of Bids, or, if there are no Bids, on the Effective Date of the Agreement. Owner shall pay all charges of utility owners for connections for providing permanent service to the Work.

Laws and Regulations

Contractor shall give all notices required by and shall comply with all Laws and Regulations applicable to the performance of the Work. Except where otherwise expressly required by applicable Laws and Regulations, neither Owner nor Engineer shall be responsible for monitoring Contractor's compliance with any Laws or Regulations.

If Contractor performs any Work knowing or having reason to know that it is contrary to Laws or Regulations, Contractor shall bear all claims, costs, losses, and damages (including but not limited to all fees and charges of engineers, architects, attorneys, and other professionals and all court or

arbitration or other dispute resolution costs) arising out of or relating to such Work. However, it shall not be Contractor's responsibility to make certain that the Specifications and Drawings are in accordance with Laws and Regulations, but this shall not relieve Contractor of Contractor's obligations under Paragraph 3.03.

Changes in Laws or Regulations not known at the time of opening of Bids (or, on the Effective Date of the Agreement if there were no Bids) having an effect on the cost or time of performance of the Work shall be the subject of an adjustment in Contract Price or Contract Times. If Owner and Contractor are unable to agree on entitlement to or on the amount or extent, if any, of any such adjustment, a Claim may be made therefore as provided in Paragraph 10.05.

Taxes

Contractor shall pay all sales, consumer, use, and other similar taxes required to be paid by Contractor in accordance with the Laws and Regulations of the place of the Project which are applicable during the performance of the Work.

Use of Site and Other Areas

Limitation on Use of Site and Other Areas:

Contractor shall confine construction equipment, the storage of materials and equipment, and the operations of workers to the Site and other areas permitted by Laws and Regulations, and shall not unreasonably encumber the Site and other areas with construction equipment or other materials or equipment. Contractor shall assume full responsibility for any damage to any such land or area, or to the owner or occupant thereof, or of any adjacent land or areas resulting from the performance of the Work.

Should any claim be made by any such owner or occupant because of the performance of the Work, Contractor shall promptly settle with such other party by negotiation or otherwise resolve the claim by arbitration or other dispute resolution proceeding or at law.

To the fullest extent permitted by Laws and Regulations, Contractor shall indemnify and hold harmless Owner and Engineer, and the officers, directors, members, partners, employees, agents, consultants and subcontractors of each and any of them from and against all claims, costs, losses, and damages (including but not limited to all fees and charges of engineers, architects, attorneys, and other professionals and all court or arbitration or other dispute resolution costs) arising out of or relating to any claim or action, legal or equitable, brought by any such owner or occupant against Owner, Engineer, or any other party indemnified hereunder to the extent caused by or based upon Contractor's performance of the Work.

Removal of Debris During Performance of the Work: During the progress of the Work Contractor shall keep the Site and other areas free from accumulations of waste materials, rubbish, and other debris. Removal and disposal of such waste materials, rubbish, and other debris shall conform to applicable Laws and Regulations.

Cleaning: Prior to Substantial Completion of the Work Contractor shall clean the Site and the Work and make it ready for utilization by Owner. At the completion of the Work Contractor shall

remove from the Site all tools, appliances, construction equipment and machinery, and surplus materials and shall restore to original condition all property not designated for alteration by the Contract Documents.

Loading Structures: Contractor shall not load nor permit any part of any structure to be loaded in any manner that will endanger the structure, nor shall Contractor subject any part of the Work or adjacent property to stresses or pressures that will endanger it.

Record Documents

Contractor shall maintain in a safe place at the Site one record copy of all Drawings, Specifications, Addenda, Change Orders, Work Change Directives, Field Orders, and written interpretations and clarifications in good order and annotated to show changes made during construction. These record documents together with all approved Samples and a counterpart of all approved Shop Drawings will be available to Engineer for reference. Upon completion of the Work, these record documents, Samples, and Shop Drawings will be delivered to Engineer for Owner.

Safety and Protection

Contractor shall be solely responsible for initiating, maintaining and supervising all safety precautions and programs in connection with the Work. Such responsibility does not relieve Subcontractors of their responsibility for the safety of persons or property in the performance of their work, nor for compliance with applicable safety Laws and Regulations. Contractor shall take all necessary precautions for the safety of, and shall provide the necessary protection to prevent damage, injury or loss to:

all persons on the Site or who may be affected by the Work;

all the Work and materials and equipment to be incorporated therein, whether in storage on or off the Site; and

other property at the Site or adjacent thereto, including trees, shrubs, lawns, walks, pavements, roadways, structures, utilities, and Underground Facilities not designated for removal, relocation, or replacement in the course of construction.

Contractor shall comply with all applicable Laws and Regulations relating to the safety of persons or property, or to the protection of persons or property from damage, injury, or loss; and

shall erect and maintain all necessary safeguards for such safety and protection. Contractor shall notify owners of adjacent property and of Underground Facilities and other utility owners when prosecution of the Work may affect them, and shall cooperate with them in the protection, removal, relocation, and replacement of their property.

Contractor shall comply with the applicable requirements of Owner's safety programs, if any. The Supplementary Conditions identify any Owner's safety programs that are applicable to the Work.

Contractor shall inform Owner and Engineer of the specific requirements of Contractor's safety program with which Owner's and Engineer's employees and representatives must comply while at the Site.

All damage, injury, or loss to any property referred to in Paragraph 6.13.A.2 or 6.13.A.3 caused, directly or indirectly, in whole or in part, by Contractor, any Subcontractor, Supplier, or any other individual or entity directly or indirectly employed by any of them to perform any of the Work, or anyone for whose acts any of them may be liable, shall be remedied by Contractor (except damage or loss attributable to the fault of Drawings or Specifications or to the acts or omissions of Owner or Engineer or anyone employed by any of them, or anyone for whose acts any of them may be liable, and not attributable, directly or indirectly, in whole or in part, to the fault or negligence of Contractor or any Subcontractor, Supplier, or other individual or entity directly or indirectly employed by any of them).

Contractor's duties and responsibilities for safety and for protection of the Work shall continue until such time as all the Work is completed and Engineer has issued a notice to Owner and Contractor in accordance with Paragraph 14.07.B that the Work is acceptable (except as otherwise expressly provided in connection with Substantial Completion).

Safety Representative

Contractor shall designate a qualified and experienced safety representative at the Site whose duties and responsibilities shall be the prevention of accidents and the maintaining and supervising of safety precautions and programs.

Hazard Communication Programs

Contractor shall be responsible for coordinating any exchange of material safety data sheets or other hazard communication information required to be made available to or exchanged between or among employers at the Site in accordance with Laws or Regulations.

Emergencies

In emergencies affecting the safety or protection of persons or the Work or property at the Site or adjacent thereto, Contractor is obligated to act to prevent threatened damage, injury, or loss. Contractor shall give Engineer prompt written notice if Contractor believes that any significant changes in the Work or variations from the Contract Documents have been caused thereby or are required as a result thereof. If Engineer determines that a change in the Contract Documents is

required because of the action taken by Contractor in response to such an emergency, a Work Change Directive or Change Order will be issued.

Shop Drawings and Samples

Contractor shall submit Shop Drawings and Samples to Engineer for review and approval in accordance with the accepted Schedule of Submittals (as required by Paragraph 2.07). Each submittal will be identified as Engineer may require.

Shop Drawings:

Submit number of copies specified in the General Requirements.

Data shown on the Shop Drawings will be complete with respect to quantities, dimensions, specified performance and design criteria, materials, and similar data to show Engineer the services, materials, and equipment Contractor proposes to provide and to enable Engineer to review the information for the limited purposes required by Paragraph 6.17.D.

Samples:

Submit number of Samples specified in the Specifications.

Clearly identify each Sample as to material, Supplier, pertinent data such as catalog numbers, the use for which intended and other data as Engineer may require to enable Engineer to review the submittal for the limited purposes required by Paragraph 6.17.D.

Where a Shop Drawing or Sample is required by the Contract Documents or the Schedule of Submittals, any related Work performed prior to Engineer's review and approval of the pertinent submittal will be at the sole expense and responsibility of Contractor.

Submittal Procedures:

Before submitting each Shop Drawing or Sample, Contractor shall have:

reviewed and coordinated each Shop Drawing or Sample with other Shop Drawings and Samples and with the requirements of the Work and the Contract Documents;

determined and verified all field measurements, quantities, dimensions, specified performance and design criteria, installation requirements, materials, catalog numbers, and similar information with respect thereto;

determined and verified the suitability of all materials offered with respect to the indicated application, fabrication, shipping, handling, storage, assembly, and installation pertaining to the performance of the Work; and

determined and verified all information relative to Contractor's responsibilities for means, methods, techniques, sequences, and procedures of construction, and safety precautions and programs incident thereto.

Each submittal shall bear a stamp or specific written certification that Contractor has satisfied Contractor's obligations under the Contract Documents with respect to Contractor's review and approval of that submittal.

With each submittal, Contractor shall give Engineer specific written notice of any variations that the Shop Drawing or Sample may have from the requirements of the Contract Documents. This notice shall be both a written communication separate from the Shop Drawings or Sample submittal; and, in addition, by a specific notation made on each Shop Drawing or Sample submitted to Engineer for review and approval of each such variation.

Engineer's Review:

Engineer will provide timely review of Shop Drawings and Samples in accordance with the Schedule of Submittals acceptable to Engineer. Engineer's review and approval will be only to determine if the items covered by the submittals will, after installation or incorporation in the Work, conform to the information given in the Contract Documents and be compatible with the design concept of the completed Project as a functioning whole as indicated by the Contract Documents.

Engineer's review and approval will not extend to means, methods, techniques, sequences, or procedures of construction (except where a particular means, method, technique, sequence, or procedure of construction is specifically and expressly called for by the Contract Documents) or to safety precautions or programs incident thereto. The review and approval of a separate item as such will not indicate approval of the assembly in which the item functions.

Engineer's review and approval shall not relieve Contractor from responsibility for any variation from the requirements of the Contract Documents unless Contractor has complied with the requirements of Paragraph 6.17.C.3 and Engineer has given written approval of each such variation by specific written notation thereof incorporated in or accompanying the Shop Drawing or Sample. Engineer's review and approval shall not relieve Contractor from responsibility for complying with the requirements of Paragraph 6.17.C.1.

Resubmittal Procedures:

Contractor shall make corrections required by Engineer and shall return the required number of corrected copies of Shop Drawings and submit, as required, new Samples for review and approval. Contractor shall direct specific attention in writing to revisions other than the corrections called for by Engineer on previous submittals.

Continuing the Work

Contractor shall carry on the Work and adhere to the Progress Schedule during all disputes or disagreements with Owner. No Work shall be delayed or postponed pending resolution of any disputes or disagreements, except as permitted by Paragraph 15.04 or as Owner and Contractor may otherwise agree in writing.

Contractor's General Warranty and Guarantee

Contractor warrants and guarantees to Owner that all Work will be in accordance with the Contract Documents and will not be defective. Engineer and its officers, directors, members, partners, employees, agents, consultants, and subcontractors shall be entitled to rely on representation of Contractor's warranty and guarantee.

Contractor's warranty and guarantee hereunder excludes defects or damage caused by:

abuse, modification, or improper maintenance or operation by persons other than Contractor, Subcontractors, Suppliers, or any other individual or entity for whom Contractor is responsible; or

normal wear and tear under normal usage.

Contractor's obligation to perform and complete the Work in accordance with the Contract Documents shall be absolute. None of the following will constitute an acceptance of Work that is not in accordance with the Contract Documents or a release of Contractor's obligation to perform the Work in accordance with the Contract Documents:

observations by Engineer;

recommendation by Engineer or payment by Owner of any progress or final payment;

the issuance of a certificate of Substantial Completion by Engineer or any payment related thereto by Owner;

use or occupancy of the Work or any part thereof by Owner;

any review and approval of a Shop Drawing or Sample submittal or the issuance of a notice of acceptability by Engineer;

any inspection, test, or approval by others; or

any correction of defective Work by Owner.

Indemnification

To the fullest extent permitted by Laws and Regulations, Contractor shall indemnify and hold harmless Owner and Engineer, and the officers, directors, members, partners, employees, agents, consultants and subcontractors of each and any of them from and against all claims, costs, losses, and damages (including but not limited to all fees and charges of engineers, architects, attorneys, and other professionals and all court or arbitration or other dispute resolution costs) arising out of or relating to the performance of the Work, provided that any such claim, cost, loss, or damage is attributable to bodily injury, sickness, disease, or death, or to injury to or destruction of tangible property (other than the Work itself), including the loss of use resulting there from but only to the extent caused by any negligent act or omission of Contractor, any Subcontractor, any Supplier, or any individual or entity directly or indirectly employed by any of them to perform any of the Work or anyone for whose acts any of them may be liable .

In any and all claims against Owner or Engineer or any of their officers, directors, members, partners, employees, agents, consultants, or subcontractors by any employee (or the survivor or personal representative of such employee) of Contractor, any Subcontractor, any Supplier, or any individual or entity directly or indirectly employed by any of them to perform any of the Work, or anyone for whose acts any of them may be liable, the indemnification obligation under Paragraph 6.20.A shall not be limited in any way by any limitation on the amount or type of damages, compensation, or benefits payable by or for Contractor or any such Subcontractor, Supplier, or other individual or entity under workers' compensation acts, disability benefit acts, or other employee benefit acts.

The indemnification obligations of Contractor under Paragraph 6.20.A shall not extend to the liability of Engineer and Engineer's officers, directors, members, partners, employees, agents, consultants and subcontractors arising out of:

the preparation or approval of, or the failure to prepare or approve maps, Drawings, opinions, reports, surveys, Change Orders, designs, or Specifications; or

giving directions or instructions, or failing to give them, if that is the primary cause of the injury or damage.

Delegation of Professional Design Services

Contractor will not be required to provide professional design services unless such services are specifically required by the Contract Documents for a portion of the Work or unless such services are required to carry out Contractor's responsibilities for construction means, methods, techniques, sequences and procedures. Contractor shall not be required to provide professional services in violation of applicable law.

If professional design services or certifications by a design professional related to systems, materials or equipment are specifically required of Contractor by the Contract Documents, Owner and Engineer will specify all performance and design criteria that such services must satisfy. Contractor shall cause such services or certifications to be provided by a properly licensed professional, whose signature and seal shall appear on all drawings, calculations, specifications, certifications, Shop Drawings and other submittals prepared by such professional. Shop Drawings and other submittals related to the Work designed or certified by such professional, if prepared by others, shall bear such professional's written approval when submitted to Engineer.

Owner and Engineer shall be entitled to rely upon the adequacy, accuracy and completeness of the services, certifications or approvals performed by such design professionals, provided Owner and Engineer have specified to Contractor all performance and design criteria that such services must satisfy.

Pursuant to this Paragraph 6.21, Engineer's review and approval of design calculations and design drawings will be only for the limited purpose of checking for conformance with performance and design criteria given and the design concept expressed in the Contract Documents. Engineer's review and approval of Shop Drawings and other submittals (except design calculations and design drawings) will be only for the purpose stated in Paragraph 6.17.D.1.

Contractor shall not be responsible for the adequacy of the performance or design criteria required by the Contract Documents.

OTHER WORK AT THE SITE

Related Work at Site

Owner may perform other work related to the Project at the Site with Owner's employees, or through other direct contracts therefore, or have other work performed by utility owners. If such other work is not noted in the Contract Documents, then:

written notice thereof will be given to Contractor prior to starting any such other work; and

if Owner and Contractor are unable to agree on entitlement to or on the amount or extent, if any, of any adjustment in the Contract Price or Contract Times that should be allowed as a result of such other work, a Claim may be made therefore as provided in Paragraph 10.05.

Contractor shall afford each other contractor who is a party to such a direct contract, each utility owner, and Owner, if Owner is performing other work with Owner's employees, proper and safe access to the Site, provide a reasonable opportunity for the introduction and storage of materials and equipment and the execution of such other work, and properly coordinate the Work with theirs. Contractor shall do all cutting, fitting, and patching of the Work that may be required to properly connect or otherwise make its several parts come together and properly integrate with such other work. Contractor shall not endanger any work of others by cutting, excavating, or otherwise altering such work; provided, however, that Contractor may cut or alter others' work with the written consent of Engineer and the others whose work will be affected. The duties and responsibilities of Contractor under this Paragraph are for the benefit of such utility owners and other contractors to the extent that there are comparable provisions for the benefit of Contractor in said direct contracts between Owner and such utility owners and other contractors.

If the proper execution or results of any part of Contractor's Work depends upon work performed by others under this Article 7, Contractor shall inspect such other work and promptly report to Engineer in writing any delays, defects, or deficiencies in such other work that render it unavailable or unsuitable for the proper execution and results of Contractor's Work. Contractor's failure to so report will constitute an acceptance of such other work as fit and proper for integration with Contractor's Work except for latent defects and deficiencies in such other work.

Coordination

If Owner intends to contract with others for the performance of other work on the Project at the Site, the following will be set forth in Supplementary Conditions:

the individual or entity who will have authority and responsibility for coordination of the activities among the various contractors will be identified;

the specific matters to be covered by such authority and responsibility will be itemized; and

the extent of such authority and responsibilities will be provided.

Unless otherwise provided in the Supplementary Conditions, Owner shall have sole authority and responsibility for such coordination.

Legal Relationships

Paragraphs 7.01.A and 7.02 are not applicable for utilities not under the control of Owner.

Each other direct contract of Owner under Paragraph 7.01.A shall provide that the other contractor is liable to Owner and Contractor for the reasonable direct delay and disruption costs incurred by Contractor as a result of the other contractor's wrongful actions or inactions.

Contractor shall be liable to Owner and any other contractor under direct contract to Owner for the reasonable direct delay and disruption costs incurred by such other contractor as a result of Contractor's wrongful action or inactions.

OWNER'S RESPONSIBILITIES

Communications to Contractor

Except as otherwise provided in these General Conditions, Owner shall issue all communications to Contractor through Engineer.

Replacement of Engineer

In case of termination of the employment of Engineer, Owner shall appoint an engineer to whom Contractor makes no reasonable objection, whose status under the Contract Documents shall be that of the former Engineer.

Furnish Data

Owner shall promptly furnish the data required of Owner under the Contract Documents.

Pay When Due

Owner shall make payments to Contractor when they are due as provided in Paragraphs 14.02.C and 14.07.C.

Lands and Easements; Reports and Tests

Owner's duties with respect to providing lands and easements and providing engineering surveys to establish reference points are set forth in Paragraphs 4.01 and 4.05. Paragraph 4.02 refers to Owner's identifying and making available to Contractor copies of reports of explorations and tests of subsurface conditions and drawings of physical conditions relating to existing surface or subsurface structures at the Site.

Insurance

Owner's responsibilities, if any, with respect to purchasing and maintaining liability and property insurance are set forth in Article 5.

Change Orders

Owner is obligated to execute Change Orders as indicated in Paragraph 10.03.

Inspections, Tests, and Approvals

Owner's responsibility with respect to certain inspections, tests, and approvals is set forth in Paragraph 13.03.B.

Limitations on Owner's Responsibilities

The Owner shall not supervise, direct, or have control or authority over, nor be responsible for, Contractor's means, methods, techniques, sequences, or procedures of construction, or the safety precautions and programs incident thereto, or for any failure of Contractor to comply with Laws and Regulations applicable to the performance of the Work. Owner will not be responsible for Contractor's failure to perform the Work in accordance with the Contract Documents.

Undisclosed Hazardous Environmental Condition

Owner's responsibility in respect to an undisclosed Hazardous Environmental Condition is set forth in Paragraph 4.06.

Evidence of Financial Arrangements

Upon request of Contractor, Owner shall furnish Contractor reasonable evidence that financial arrangements have been made to satisfy Owner's obligations under the Contract Documents.

Compliance with Safety Program

While at the Site, Owner's employees and representatives shall comply with the specific applicable requirements of Contractor's safety programs of which Owner has been informed pursuant to Paragraph 6.13.D.

ENGINEER'S STATUS DURING CONSTRUCTION

Owner's Representative

Engineer will be Owner's representative during the construction period. The duties and responsibilities and the limitations of authority of Engineer as Owner's representative during construction are set forth in the Contract Documents.

Visits to Site

Engineer will make visits to the Site at intervals appropriate to the various stages of construction as Engineer deems necessary in order to observe as an experienced and qualified design professional the progress that has been made and the quality of the various aspects of Contractor's executed Work. Based on information obtained during such visits and observations, Engineer, for the benefit of Owner, will determine, in general, if the Work is proceeding in accordance with the Contract Documents. Engineer will not be required to make exhaustive or

continuous inspections on the Site to check the quality or quantity of the Work. Engineer's efforts will be directed toward providing for Owner a greater degree of confidence that the completed Work will conform generally to the Contract Documents. On the basis of such visits and observations, Engineer will keep Owner informed of the progress of the Work and will endeavor to guard Owner against defective Work.

Engineer's visits and observations are subject to all the limitations on Engineer's authority and responsibility set forth in Paragraph 9.09. Particularly, but without limitation, during or as a result

of Engineer's visits or observations of Contractor's Work, Engineer will not supervise, direct, control, or have authority over or be responsible for Contractor's means, methods, techniques, sequences, or procedures of construction, or the safety precautions and programs incident thereto, or for any failure of Contractor to comply with Laws and Regulations applicable to the performance of the Work.

Project Representative

If Owner and Engineer agree, Engineer will furnish a Resident Project Representative to assist Engineer in providing more extensive observation of the Work. The authority and responsibilities of any such Resident Project Representative and assistants will be as provided in the Supplementary Conditions, and limitations on the responsibilities thereof will be as provided in Paragraph 9.09. If Owner designates another representative or agent to represent Owner at the Site who is not Engineer's consultant, agent or employee, the responsibilities and authority and limitations thereon of such other individual or entity will be as provided in the Supplementary Conditions.

Authorized Variations in Work

Engineer may authorize minor variations in the Work from the requirements of the Contract Documents which do not involve an adjustment in the Contract Price or the Contract Times and are compatible with the design concept of the completed Project as a functioning whole as indicated by the Contract Documents. These may be accomplished by a Field Order and will be binding on Owner and also on Contractor, who shall perform the Work involved promptly. If Owner or Contractor believes that a Field Order justifies an adjustment in the Contract Price or Contract Times, or both, and the parties are unable to agree on entitlement to or on the amount or extent, if any, of any such adjustment, a Claim may be made therefore as provided in Paragraph 10.05.

Rejecting Defective Work

Engineer will have authority to reject Work which Engineer believes to be defective, or that Engineer believes will not produce a completed Project that conforms to the Contract Documents or that will prejudice the integrity of the design concept of the completed Project as a functioning whole as indicated by the Contract Documents. Engineer will also have authority to require special inspection or testing of the Work as provided in Paragraph 13.04, whether or not the Work is fabricated, installed, or completed.

Shop Drawings, Change Orders and Payments

In connection with Engineer's authority, and limitations thereof, as to Shop Drawings and Samples, see Paragraph 6.17.

In connection with Engineer's authority, and limitations thereof, as to design calculations and design drawings submitted in response to a delegation of professional design services, if any, see Paragraph 6.21.

In connection with Engineer's authority as to Change Orders, see Articles 10, 11, and 12.

In connection with Engineer's authority as to Applications for Payment, see Article 14.

Determinations for Unit Price Work

Engineer will determine the actual quantities and classifications of Unit Price Work performed by Contractor. Engineer will review with Contractor the Engineer's preliminary determinations on such matters before rendering a written decision thereon (by recommendation of an Application for Payment or otherwise). Engineer's written decision thereon will be final and binding (except as modified by Engineer to reflect changed factual conditions or more accurate data) upon Owner and Contractor, subject to the provisions of Paragraph 10.05.

Decisions on Requirements of Contract Documents and Acceptability of Work

Engineer will be the initial interpreter of the requirements of the Contract Documents and judge of the acceptability of the Work there under. All matters in question and other matters between Owner and Contractor arising prior to the date final payment is due relating to the acceptability of the Work, and the interpretation of the requirements of the Contract Documents pertaining to the performance of the Work, will be referred initially to Engineer in writing within 30 days of the event giving rise to the question.

Engineer will, with reasonable promptness, render a written decision on the issue referred. If Owner or Contractor believes that any such decision entitles them to an adjustment in the Contract Price or Contract Times or both, a Claim may be made under Paragraph 10.05. The date of Engineer's decision shall be the date of the event giving rise to the issues referenced for the purposes of Paragraph 10.05.B.

Engineer's written decision on the issue referred will be final and binding on Owner and Contractor, subject to the provisions of Paragraph 10.05.

When functioning as interpreter and judge under this Paragraph 9.08, Engineer will not show partiality to Owner or Contractor and will not be liable in connection with any interpretation or decision rendered in good faith in such capacity.

Limitations on Engineer's Authority and Responsibilities

Neither Engineer's authority or responsibility under this Article 9 or under any other provision of the Contract Documents nor any decision made by Engineer in good faith either to exercise or not

exercise such authority or responsibility or the undertaking, exercise, or performance of any authority or responsibility by Engineer shall create, impose, or give rise to any duty in contract, tort, or otherwise owed by Engineer to Contractor, any Subcontractor, any Supplier, any other individual or entity, or to any surety for or employee or agent of any of them.

Engineer will not supervise, direct, control, or have authority over or be responsible for Contractor's means, methods, techniques, sequences, or procedures of construction, or the safety precautions and programs incident thereto, or for any failure of Contractor to comply with Laws and Regulations applicable to the performance of the Work. Engineer will not be responsible for Contractor's failure to perform the Work in accordance with the Contract Documents.

Engineer will not be responsible for the acts or omissions of Contractor or of any Subcontractor, any Supplier, or of any other individual or entity performing any of the Work.

Engineer's review of the final Application for Payment and accompanying documentation and all maintenance and operating instructions, schedules, guarantees, bonds, certificates of inspection, tests and approvals, and other documentation required to be delivered by Paragraph 14.07.A will only be to determine generally that their content complies with the requirements of, and in the case of certificates of inspections, tests, and approvals that the results certified indicate compliance with, the Contract Documents.

The limitations upon authority and responsibility set forth in this Paragraph 9.09 shall also apply to the Resident Project Representative, if any, and assistants, if any.

Compliance with Safety Program

While at the Site, Engineer's employees and representatives shall comply with the specific applicable requirements of Contractor's safety programs of which Engineer has been informed pursuant to Paragraph 6.13.D.

CHANGES IN THE WORK; CLAIMS

Authorized Changes in the Work

Without invalidating the Contract and without notice to any surety, Owner may, at any time or from time to time, order additions, deletions, or revisions in the Work by a Change Order, or a Work Change Directive. Upon receipt of any such document, Contractor shall promptly proceed with the Work involved which will be performed under the applicable conditions of the Contract Documents (except as otherwise specifically provided).

If Owner and Contractor are unable to agree on entitlement to, or on the amount or extent, if any, of an adjustment in the Contract Price or Contract Times, or both, that should be allowed as a result of a Work Change Directive, a Claim may be made therefore as provided in Paragraph 10.05.

Unauthorized Changes in the Work

Contractor shall not be entitled to an increase in the Contract Price or an extension of the Contract Times with respect to any work performed that is not required by the Contract Documents as amended, modified, or supplemented as provided in Paragraph 3.04, except in the case of an emergency as provided in Paragraph 6.16 or in the case of uncovering Work as provided in Paragraph 13.04.D.

Execution of Change Orders

Owner and Contractor shall execute appropriate Change Orders recommended by Engineer covering:

changes in the Work which are: (i) ordered by Owner pursuant to Paragraph 10.01.A, (ii) required because of acceptance of defective Work under Paragraph 13.08.A or Owner's correction of defective Work under Paragraph 13.09, or (iii) agreed to by the parties;

changes in the Contract Price or Contract Times which are agreed to by the parties, including any undisputed sum or amount of time for Work actually performed in accordance with a Work Change Directive; and

changes in the Contract Price or Contract Times which embody the substance of any written decision rendered by Engineer pursuant to Paragraph 10.05; provided that, in lieu of executing any such Change Order, an appeal may be taken from any such decision in accordance with the provisions of the Contract Documents and applicable Laws and Regulations, but during any such appeal, Contractor shall carry on the Work and adhere to the Progress Schedule as provided in Paragraph 6.18.A.

Notification to Surety

If the provisions of any bond require notice to be given to a surety of any change affecting the general scope of the Work or the provisions of the Contract Documents (including, but not limited to, Contract Price or Contract Times), the giving of any such notice will be Contractor's responsibility. The amount of each applicable bond will be adjusted to reflect the effect of any such change.

Claims

Engineer's Decision Required: All Claims, except those waived pursuant to Paragraph 14.09, shall be referred to the Engineer for decision. A decision by Engineer shall be required as a condition precedent to any exercise by Owner or Contractor of any rights or remedies either may otherwise have under the Contract Documents or by Laws and Regulations in respect of such Claims.

Notice: Written notice stating the general nature of each Claim shall be delivered by the claimant to Engineer and the other party to the Contract promptly (but in no event later than 30 days) after the start of the event giving rise thereto. The responsibility to substantiate a Claim shall rest with the party making the Claim. Notice of the amount or extent of the Claim, with supporting data

shall be delivered to the Engineer and the other party to the Contract within 60 days after the start of such event (unless Engineer allows additional time for claimant to submit additional or more accurate data in support of such Claim). A Claim for an adjustment in Contract Price shall be prepared in accordance with the provisions of Paragraph 12.01.B. A Claim for an adjustment in Contract Times shall be prepared in accordance with the provisions of Paragraph 12.02.B. Each Claim shall be accompanied by claimant's written statement that the adjustment claimed is the entire adjustment to which the claimant believes it is entitled as a result of said event. The opposing party shall submit any response to Engineer and the claimant within 30 days after receipt of the claimant's last submittal (unless Engineer allows additional time).

Engineer's Action: Engineer will review each Claim and, within 30 days after receipt of the last submittal of the claimant or the last submittal of the opposing party, if any, take one of the following actions in writing:

deny the Claim in whole or in part;

approve the Claim; or

notify the parties that the Engineer is unable to resolve the Claim if, in the Engineer's sole discretion, it would be inappropriate for the Engineer to do so. For purposes of further resolution of the Claim, such notice shall be deemed a denial.

In the event that Engineer does not take action on a Claim within said 30 days, the Claim shall be deemed denied.

Engineer's written action under Paragraph 10.05.C or denial pursuant to Paragraphs 10.05.C.3 or 10.05.D will be final and binding upon Owner and Contractor, unless Owner or Contractor invoke the dispute resolution procedure set forth in Article 16 within 30 days of such action or denial.

No Claim for an adjustment in Contract Price or Contract Times will be valid if not submitted in accordance with this Paragraph 10.05.

COST OF THE WORK; ALLOWANCES; UNIT PRICE WORK

Cost of the Work

Costs Included: The term Cost of the Work means the sum of all costs, except those excluded in Paragraph 11.01.B, necessarily incurred and paid by Contractor in the proper performance of the Work. When the value of any Work covered by a Change Order or when a Claim for an adjustment in Contract Price is determined on the basis of Cost of the Work, the costs to be reimbursed to Contractor will be only those additional or incremental costs required because of the change in the Work or because of the event giving rise to the Claim. Except as otherwise may be agreed to in writing by Owner, such costs shall be in amounts no higher than those prevailing in the locality of the Project, shall not include any of the costs itemized in Paragraph 11.01.B, and shall include only the following items:

Payroll costs for employees in the direct employ of Contractor in the performance of the Work under schedules of job classifications agreed upon by Owner and Contractor. Such employees shall include, without limitation, superintendents, foremen, and other personnel employed full time on the Work. Payroll costs for employees not employed full time on the Work shall be apportioned on the basis of their time spent on the Work. Payroll costs shall include, but not be limited to, salaries and wages plus the cost of fringe benefits, which shall include social security contributions, unemployment, excise, and payroll taxes, workers' compensation, health and retirement benefits, bonuses, sick leave, vacation and holiday pay applicable thereto. The expenses of performing Work outside of regular working hours, on Saturday, Sunday, or legal holidays, shall be included in the above to the extent authorized by Owner.

Cost of all materials and equipment furnished and incorporated in the Work, including costs of transportation and storage thereof, and Suppliers' field services required in connection therewith. All cash discounts shall accrue to Contractor unless Owner deposits funds with Contractor with which to make payments, in which case the cash discounts shall accrue to

Owner. All trade discounts, rebates and refunds and returns from sale of surplus materials and equipment shall accrue to Owner, and Contractor shall make provisions so that they may be obtained.

Payments made by Contractor to Subcontractors for Work performed by Subcontractors. If required by Owner, Contractor shall obtain competitive bids from subcontractors acceptable to Owner and Contractor and shall deliver such bids to Owner, who will then determine, with the advice of Engineer, which bids, if any, will be acceptable. If any subcontract provides that the Subcontractor is to be paid on the basis of Cost of the Work plus a fee, the Subcontractor's Cost of the Work and fee shall be determined in the same manner as Contractor's Cost of the Work and fee as provided in this Paragraph 11.01.

Costs of special consultants (including but not limited to engineers, architects, testing laboratories, surveyors, attorneys, and accountants) employed for services specifically related to the Work.

Supplemental costs including the following:

The proportion of necessary transportation, travel, and subsistence expenses of Contractor's employees incurred in discharge of duties connected with the Work.

Cost, including transportation and maintenance, of all materials, supplies, equipment, machinery, appliances, office, and temporary facilities at the Site, and hand tools not owned by the workers, which are consumed in the performance of the Work, and cost, less market value, of such items used but not consumed which remain the property of Contractor.

Rentals of all construction equipment and machinery, and the parts thereof whether rented from Contractor or others in accordance with rental agreements approved by Owner with the advice of Engineer, and the costs of transportation, loading, unloading, assembly, dismantling, and removal thereof. All such costs shall be in accordance with the terms of

said rental agreements. The rental of any such equipment, machinery, or parts shall cease when the use thereof is no longer necessary for the Work.

Sales, consumer, use, and other similar taxes related to the Work, and for which Contractor is liable, as imposed by Laws and Regulations.

Deposits lost for causes other than negligence of Contractor, any Subcontractor, or anyone directly or indirectly employed by any of them or for whose acts any of them may be liable, and royalty payments and fees for permits and licenses.

Losses and damages (and related expenses) caused by damage to the Work, not compensated by insurance or otherwise, sustained by Contractor in connection with the performance of the Work (except losses and damages within the deductible amounts of property insurance established in accordance with Paragraph 5.06.D), provided such losses and damages have resulted from causes other than the negligence of Contractor, any Subcontractor, or anyone directly or indirectly employed by any of them or for whose acts any of them may be liable. Such losses shall include settlements made with the written consent and approval of

Owner. No such losses, damages, and expenses shall be included in the Cost of the Work for the purpose of determining Contractor's fee.

The cost of utilities, fuel, and sanitary facilities at the Site.

Minor expenses such as telegrams, long distance telephone calls, telephone service at the Site, express and courier services, and similar petty cash items in connection with the Work.

The costs of premiums for all bonds and insurance Contractor is required by the Contract Documents to purchase and maintain.

Costs Excluded: The term Cost of the Work shall not include any of the following items:

Payroll costs and other compensation of Contractor's officers, executives, principals (of partnerships and sole proprietorships), general managers, safety managers, engineers, architects, estimators, attorneys, auditors, accountants, purchasing and contracting agents, expeditors, timekeepers, clerks, and other personnel employed by Contractor, whether at the Site or in Contractor's principal or branch office for general administration of the Work and not specifically included in the agreed upon schedule of job classifications referred to in Paragraph 11.01.A.1 or specifically covered by Paragraph 11.01.A.4, all of which are to be considered administrative costs covered by the Contractor's fee.

Expenses of Contractor's principal and branch offices other than Contractor's office at the Site.

Any part of Contractor's capital expenses, including interest on Contractor's capital employed for the Work and charges against Contractor for delinquent payments.

Costs due to the negligence of Contractor, any Subcontractor, or anyone directly or indirectly employed by any of them or for whose acts any of them may be liable, including but not limited to, the correction of defective Work, disposal of materials or equipment wrongly supplied, and making good any damage to property.

Other overhead or general expense costs of any kind and the costs of any item not specifically and expressly included in Paragraphs 11.01.A.

Contractor's Fee: When all the Work is performed on the basis of cost-plus, Contractor's fee shall be determined as set forth in the Agreement. When the value of any Work covered by a Change Order or when a Claim for an adjustment in Contract Price is determined on the basis of Cost of the Work, Contractor's fee shall be determined as set forth in Paragraph 12.01.C.

Documentation: Whenever the Cost of the Work for any purpose is to be determined pursuant to Paragraphs 11.01.A and 11.01.B, Contractor will establish and maintain records thereof in accordance with generally accepted accounting practices and submit in a form acceptable to Engineer an itemized cost breakdown together with supporting data.

Allowances

It is understood that Contractor has included in the Contract Price all allowances so named in the Contract Documents and shall cause the Work so covered to be performed for such sums and by such persons or entities as may be acceptable to Owner and Engineer.

Cash Allowances:

Contractor agrees that:

the cash allowances include the cost to Contractor (less any applicable trade discounts) of materials and equipment required by the allowances to be delivered at the Site, and all applicable taxes; and

Contractor's costs for unloading and handling on the Site, labor, installation, overhead, profit, and other expenses contemplated for the cash allowances have been included in the Contract Price and not in the allowances, and no demand for additional payment on account of any of the foregoing will be valid.

Contingency Allowance:

Contractor agrees that a contingency allowance, if any, is for the sole use of Owner to cover unanticipated costs.

Prior to final payment, an appropriate Change Order will be issued as recommended by Engineer to reflect actual amounts due Contractor on account of Work covered by allowances, and the Contract Price shall be correspondingly adjusted.

Unit Price Work

Where the Contract Documents provide that all or part of the Work is to be Unit Price Work, initially the Contract Price will be deemed to include for all Unit Price Work an amount equal to the sum of the unit price for each separately identified item of Unit Price Work times the estimated quantity of each item as indicated in the Agreement.

The estimated quantities of items of Unit Price Work are not guaranteed and are solely for the purpose of comparison of Bids and determining an initial Contract Price. Determinations of the actual quantities and classifications of Unit Price Work performed by Contractor will be made by Engineer subject to the provisions of Paragraph 9.07.

Each unit price will be deemed to include an amount considered by Contractor to be adequate to cover Contractor's overhead and profit for each separately identified item.

Owner or Contractor may make a Claim for an adjustment in the Contract Price in accordance with Paragraph 10.05 if:

the quantity of any item of Unit Price Work performed by Contractor differs materially and significantly from the estimated quantity of such item indicated in the Agreement; and

there is no corresponding adjustment with respect to any other item of Work; and

Contractor believes that Contractor is entitled to an increase in Contract Price as a result of having incurred additional expense or Owner believes that Owner is entitled to a decrease in Contract Price and the parties are unable to agree as to the amount of any such increase or decrease.

CHANGE OF CONTRACT PRICE; CHANGE OF CONTRACT TIMES

Change of Contract Price

The Contract Price may only be changed by a Change Order. Any Claim for an adjustment in the Contract Price shall be based on written notice submitted by the party making the Claim to the Engineer and the other party to the Contract in accordance with the provisions of Paragraph 10.05.

The value of any Work covered by a Change Order or of any Claim for an adjustment in the Contract Price will be determined as follows:

where the Work involved is covered by unit prices contained in the Contract Documents, by application of such unit prices to the quantities of the items involved (subject to the provisions of Paragraph 11.03); or

where the Work involved is not covered by unit prices contained in the Contract Documents, by a mutually agreed lump sum (which may include an allowance for overhead and profit not necessarily in accordance with Paragraph 12.01.C.2); or

where the Work involved is not covered by unit prices contained in the Contract Documents and agreement to a lump sum is not reached under Paragraph 12.01.B.2, on the basis of the Cost of the Work (determined as provided in Paragraph 11.01) plus a Contractor's fee for overhead and profit (determined as provided in Paragraph 12.01.C).

Contractor's Fee: The Contractor's fee for overhead and profit shall be determined as follows:

a mutually acceptable fixed fee; or

if a fixed fee is not agreed upon, then a fee based on the following percentages of the various portions of the Cost of the Work:

for costs incurred under Paragraphs 11.01.A.1 and 11.01.A.2, the Contractor's fee shall be 15 percent;

for costs incurred under Paragraph 11.01.A.3, the Contractor's fee shall be five percent;

where one or more tiers of subcontracts are on the basis of Cost of the Work plus a fee and no fixed fee is agreed upon, the intent of Paragraphs 12.01.C.2.a and 12.01.C.2.b is that the Subcontractor who actually performs the Work, at whatever tier, will be paid a fee of 15 percent of the costs incurred by such Subcontractor under Paragraphs 11.01.A.1 and 11.01.A.2 and that any higher tier Subcontractor and Contractor will each be paid a fee of five percent of the amount paid to the next lower tier Subcontractor;

no fee shall be payable on the basis of costs itemized under Paragraphs 11.01.A.4, 11.01.A.5, and 11.01.B;

the amount of credit to be allowed by Contractor to Owner for any change which results in a net decrease in cost will be the amount of the actual net decrease in cost plus a deduction in Contractor's fee by an amount equal to five percent of such net decrease; and

when both additions and credits are involved in any one change, the adjustment in Contractor's fee shall be computed on the basis of the net change in accordance with Paragraphs 12.01.C.2.a through 12.01.C.2.e, inclusive.

Change of Contract Times

The Contract Times may only be changed by a Change Order. Any Claim for an adjustment in the Contract Times shall be based on written notice submitted by the party making the Claim to the Engineer and the other party to the Contract in accordance with the provisions of Paragraph 10.05.

Any adjustment of the Contract Times covered by a Change Order or any Claim for an adjustment in the Contract Times will be determined in accordance with the provisions of this Article 12.

Delays

Where Contractor is prevented from completing any part of the Work within the Contract Times due to delay beyond the control of Contractor, the Contract Times will be extended in an amount equal to the time lost due to such delay if a Claim is made therefore as provided in Paragraph 12.02.A. Delays beyond the control of Contractor shall include, but not be limited to, acts or

neglect by Owner, acts or neglect of utility owners or other contractors performing other work as contemplated by Article 7, fires, floods, epidemics, abnormal weather conditions, or acts of God.

If Owner, Engineer, or other contractors or utility owners performing other work for Owner as contemplated by Article 7, or anyone for whom Owner is responsible, delays, disrupts, or interferes with the performance or progress of the Work, then Contractor shall be entitled to an equitable adjustment in the Contract Price or the Contract Times, or both. Contractor's entitlement to an adjustment of the Contract Times is conditioned on such adjustment being essential to Contractor's ability to complete the Work within the Contract Times.

If Contractor is delayed in the performance or progress of the Work by fire, flood, epidemic, abnormal weather conditions, acts of God, acts or failures to act of utility owners not under the control of Owner, or other causes not the fault of and beyond control of Owner and Contractor, then Contractor shall be entitled to an equitable adjustment in Contract Times, if such adjustment is essential to Contractor's ability to complete the Work within the Contract Times. Such an adjustment shall be Contractor's sole and exclusive remedy for the delays described in this Paragraph 12.03.C.

Owner, Engineer, and their officers, directors, members, partners, employees, agents, consultants, or subcontractors shall not be liable to Contractor for any claims, costs, losses, or damages (including but not limited to all fees and charges of engineers, architects, attorneys, and other

professionals and all court or arbitration or other dispute resolution costs) sustained by Contractor on or in connection with any other project or anticipated project.

Contractor shall not be entitled to an adjustment in Contract Price or Contract Times for delays within the control of Contractor. Delays attributable to and within the control of a Subcontractor or Supplier shall be deemed to be delays within the control of Contractor.

TESTS AND INSPECTIONS; CORRECTION, REMOVAL OR ACCEPTANCE OF DEFECTIVE WORK

Notice of Defects

Prompt notice of all defective Work of which Owner or Engineer has actual knowledge will be given to Contractor. Defective Work may be rejected, corrected, or accepted as provided in this Article 13.

Access to Work

Owner, Engineer, their consultants and other representatives and personnel of Owner, independent testing laboratories, and governmental agencies with jurisdictional interests will have access to the Site and the Work at reasonable times for their observation, inspection, and testing. Contractor shall provide them proper and safe conditions for such access and advise them of Contractor's safety procedures and programs so that they may comply therewith as applicable.

Tests and Inspections

Contractor shall give Engineer timely notice of readiness of the Work for all required inspections, tests, or approvals and shall cooperate with inspection and testing personnel to facilitate required inspections or tests.

Owner shall employ and pay for the services of an independent testing laboratory to perform all inspections, tests, or approvals required by the Contract Documents except:

for inspections, tests, or approvals covered by Paragraphs 13.03.C and 13.03.D below;

that costs incurred in connection with tests or inspections conducted pursuant to Paragraph 13.04.B shall be paid as provided in Paragraph 13.04.C; and

as otherwise specifically provided in the Contract Documents.

If Laws or Regulations of any public body having jurisdiction require any Work (or part thereof) specifically to be inspected, tested, or approved by an employee or other representative of such public body, Contractor shall assume full responsibility for arranging and obtaining such inspections, tests, or approvals, pay all costs in connection therewith, and furnish Engineer the required certificates of inspection or approval.

Contractor shall be responsible for arranging and obtaining and shall pay all costs in connection with any inspections, tests, or approvals required for Owner's and Engineer's acceptance of materials or equipment to be incorporated in the Work; or acceptance of materials, mix designs, or

equipment submitted for approval prior to Contractor's purchase thereof for incorporation in the Work. Such inspections, tests, or approvals shall be performed by organizations acceptable to Owner and Engineer.

If any Work (or the work of others) that is to be inspected, tested, or approved is covered by Contractor without written concurrence of Engineer, Contractor shall, if requested by Engineer, uncover such Work for observation.

Uncovering Work as provided in Paragraph 13.03.E shall be at Contractor's expense unless Contractor has given Engineer timely notice of Contractor's intention to cover the same and Engineer has not acted with reasonable promptness in response to such notice.

Uncovering Work

If any Work is covered contrary to the written request of Engineer, it must, if requested by Engineer, be uncovered for Engineer's observation and replaced at Contractor's expense.

If Engineer considers it necessary or advisable that covered Work be observed by Engineer or inspected or tested by others, Contractor, at Engineer's request, shall uncover, expose, or otherwise make available for observation, inspection, or testing as Engineer may require, that portion of the Work in question, furnishing all necessary labor, material, and equipment.

If it is found that the uncovered Work is defective, Contractor shall pay all claims, costs, losses, and damages (including but not limited to all fees and charges of engineers, architects, attorneys, and other professionals and all court or arbitration or other dispute resolution costs) arising out of or relating to such uncovering, exposure, observation, inspection, and testing, and of satisfactory replacement or reconstruction (including but not limited to all costs of repair or replacement of work of others); and Owner shall be entitled to an appropriate decrease in the Contract Price. If the parties are unable to agree as to the amount thereof, Owner may make a Claim therefore as provided in Paragraph 10.05.

If the uncovered Work is not found to be defective, Contractor shall be allowed an increase in the Contract Price or an extension of the Contract Times, or both, directly attributable to such uncovering, exposure, observation, inspection, testing, replacement, and reconstruction. If the parties are unable to agree as to the amount or extent thereof, Contractor may make a Claim therefore as provided in Paragraph 10.05.

Owner May Stop the Work

If the Work is defective, or Contractor fails to supply sufficient skilled workers or suitable materials or equipment, or fails to perform the Work in such a way that the completed Work will conform to the Contract Documents, Owner may order Contractor to stop the Work, or any portion thereof, until the cause for such order has been eliminated; however, this right of Owner to stop the Work shall not give rise to any duty on the part of Owner to exercise this right for the benefit of Contractor, any Subcontractor, any Supplier, any other individual or entity, or any surety for, or employee or agent of any of them.

Correction or Removal of Defective Work

Promptly after receipt of written notice, Contractor shall correct all defective Work, whether or not fabricated, installed, or completed, or, if the Work has been rejected by Engineer, remove it from the Project and replace it with Work that is not defective. Contractor shall pay all claims, costs, losses, and damages (including but not limited to all fees and charges of engineers, architects, attorneys, and other professionals and all court or arbitration or other dispute resolution costs) arising out of or relating to such correction or removal (including but not limited to all costs of repair or replacement of work of others).

When correcting defective Work under the terms of this Paragraph 13.06 or Paragraph 13.07, Contractor shall take no action that would void or otherwise impair Owner's special warranty and guarantee, if any, on said Work.

Correction Period

If within one year after the date of Substantial Completion (or such longer period of time as may be prescribed by the terms of any applicable special guarantee required by the Contract Documents) or by any specific provision of the Contract Documents, any Work is found to be defective, or if the repair of any damages to the land or areas made available for Contractor's use by Owner or permitted by Laws and Regulations as contemplated in Paragraph 6.11.A is found to be defective, Contractor shall promptly, without cost to Owner and in accordance with Owner's written instructions:

repair such defective land or areas; or

correct such defective Work; or

if the defective Work has been rejected by Owner, remove it from the Project and replace it with Work that is not defective, and

satisfactorily correct or repair or remove and replace any damage to other Work, to the work of others or other land or areas resulting there from.

If Contractor does not promptly comply with the terms of Owner's written instructions, or in an emergency where delay would cause serious risk of loss or damage, Owner may have the defective Work corrected or repaired or may have the rejected Work removed and replaced. All claims, costs, losses, and damages (including but not limited to all fees and charges of engineers, architects, attorneys, and other professionals and all court or arbitration or other dispute resolution costs) arising out of or relating to such correction or repair or such removal and replacement (including but not limited to all costs of repair or replacement of work of others) will be paid by Contractor.

In special circumstances where a particular item of equipment is placed in continuous service before Substantial Completion of all the Work, the correction period for that item may start to run from an earlier date if so provided in the Specifications.

Where defective Work (and damage to other Work resulting there from) has been corrected or removed and replaced under this Paragraph 13.07, the correction period hereunder with respect to

such Work will be extended for an additional period of one year after such correction or removal and replacement has been satisfactorily completed.

Contractor's obligations under this Paragraph 13.07 are in addition to any other obligation or warranty. The provisions of this Paragraph 13.07 shall not be construed as a substitute for, or a waiver of, the provisions of any applicable statute of limitation or repose.

Acceptance of Defective Work

If, instead of requiring correction or removal and replacement of defective Work, Owner (and, prior to Engineer's recommendation of final payment, Engineer) prefers to accept it, Owner may do so. Contractor shall pay all claims, costs, losses, and damages (including but not limited to all fees and charges of engineers, architects, attorneys, and other professionals and all court or arbitration or other dispute resolution costs) attributable to Owner's evaluation of and determination to accept such defective Work (such costs to be approved by Engineer as to reasonableness) and for the diminished value of the Work to the extent not otherwise paid by Contractor pursuant to this sentence. If any such acceptance occurs prior to Engineer's recommendation of final payment, a Change Order will be issued incorporating the necessary revisions in the Contract Documents with respect to the Work, and Owner shall be entitled to an appropriate decrease in the Contract Price, reflecting the diminished value of Work so accepted. If the parties are unable to agree as to the amount thereof, Owner may make a Claim therefore as provided in Paragraph 10.05. If the acceptance occurs after such recommendation, an appropriate amount will be paid by Contractor to Owner.

Owner May Correct Defective Work

If Contractor fails within a reasonable time after written notice from Engineer to correct defective Work, or to remove and replace rejected Work as required by Engineer in accordance with Paragraph 13.06.A, or if Contractor fails to perform the Work in accordance with the Contract Documents, or if Contractor fails to comply with any other provision of the Contract Documents, Owner may, after seven days written notice to Contractor, correct, or remedy any such deficiency.

In exercising the rights and remedies under this Paragraph 13.09, Owner shall proceed expeditiously. In connection with such corrective or remedial action, Owner may exclude Contractor from all or part of the Site, take possession of all or part of the Work and suspend Contractor's services related thereto, take possession of Contractor's tools, appliances, construction equipment and machinery at the Site, and incorporate in the Work all materials and equipment stored at the Site or for which Owner has paid Contractor but which are stored elsewhere. Contractor shall allow Owner, Owner's representatives, agents and employees, Owner's other contractors, and Engineer and Engineer's consultants access to the Site to enable Owner to exercise the rights and remedies under this Paragraph.

All claims, costs, losses, and damages (including but not limited to all fees and charges of engineers, architects, attorneys, and other professionals and all court or arbitration or other dispute resolution costs) incurred or sustained by Owner in exercising the rights and remedies under this Paragraph 13.09 will be charged against Contractor, and a Change Order will be issued incorporating the necessary revisions in the Contract Documents with respect to the Work; and Owner shall be entitled to an appropriate decrease in the Contract Price. If the parties are unable to agree as to the

amount of the adjustment, Owner may make a Claim therefore as provided in Paragraph 10.05. Such claims, costs, losses and damages will include but not be limited to all costs of repair, or replacement of work of others destroyed or damaged by correction, removal, or replacement of Contractor's defective Work.

Contractor shall not be allowed an extension of the Contract Times because of any delay in the performance of the Work attributable to the exercise by Owner of Owner's rights and remedies under this Paragraph 13.09.

ARTICLE 14 – PAYMENTS TO CONTRACTOR AND COMPLETION

Schedule of Values

The Schedule of Values established as provided in Paragraph 2.07.A will serve as the basis for progress payments and will be incorporated into a form of Application for Payment acceptable to Engineer. Progress payments on account of Unit Price Work will be based on the number of units completed.

Progress Payments

Applications for Payments:

At least 20 days before the date established in the Agreement for each progress payment (but not more often than once a month), Contractor shall submit to Engineer for review an Application for Payment filled out and signed by Contractor covering the Work completed as of the date of the Application and accompanied by such supporting documentation as is required by the Contract Documents. If payment is requested on the basis of materials and equipment not incorporated in the Work but delivered and suitably stored at the Site or at another location agreed to in writing, the Application for Payment shall also be accompanied by a bill of sale, invoice, or other documentation warranting that Owner has received the materials and equipment free and clear of all Liens and evidence that the materials and equipment are covered by appropriate property insurance or other arrangements to protect Owner's interest therein, all of which must be satisfactory to Owner.

Beginning with the second Application for Payment, each Application shall include an affidavit of Contractor stating that all previous progress payments received on account of the Work have been applied on account to discharge Contractor's legitimate obligations associated with prior Applications for Payment.

The amount of retainage with respect to progress payments will be as stipulated in the Agreement.

Review of Applications:

Engineer will, within 10 days after receipt of each Application for Payment, either indicate in writing a recommendation of payment and present the Application to Owner or return the Application to Contractor indicating in writing Engineer's reasons for refusing to recommend payment. In the latter case, Contractor may make the necessary corrections and resubmit the Application.

Engineer's recommendation of any payment requested in an Application for Payment will constitute a representation by Engineer to Owner, based on Engineer's observations of the executed Work as an experienced and qualified design professional, and on Engineer's review of the Application for Payment and the accompanying data and schedules, that to the best of Engineer's knowledge, information and belief:

the Work has progressed to the point indicated;

the quality of the Work is generally in accordance with the Contract Documents (subject to an evaluation of the Work as a functioning whole prior to or upon Substantial Completion, the results of any subsequent tests called for in the Contract Documents, a final determination of quantities and classifications for Unit Price Work under Paragraph 9.07, and any other qualifications stated in the recommendation); and

the conditions precedent to Contractor's being entitled to such payment appear to have been fulfilled in so far as it is Engineer's responsibility to observe the Work.

By recommending any such payment Engineer will not thereby be deemed to have represented that:

inspections made to check the quality or the quantity of the Work as it has been performed have been exhaustive, extended to every aspect of the Work in progress, or involved detailed inspections of the Work beyond the responsibilities specifically assigned to Engineer in the Contract Documents; or

there may not be other matters or issues between the parties that might entitle Contractor to be paid additionally by Owner or entitle Owner to withhold payment to Contractor.

Neither Engineer's review of Contractor's Work for the purposes of recommending payments nor Engineer's recommendation of any payment, including final payment, will impose responsibility on Engineer:

to supervise, direct, or control the Work; or

for the means, methods, techniques, sequences, or procedures of construction, or the safety precautions and programs incident thereto, or

for Contractor's failure to comply with Laws and Regulations applicable to Contractor's performance of the Work, or

to make any examination to ascertain how or for what purposes Contractor has used the moneys paid on account of the Contract Price, or

to determine that title to any of the Work, materials, or equipment has passed to Owner free and clear of any Liens.

Engineer may refuse to recommend the whole or any part of any payment if, in Engineer's opinion, it would be incorrect to make the representations to Owner stated in Paragraph 14.02.B.2. Engineer may also refuse to recommend any such payment or, because

of subsequently discovered evidence or the results of subsequent inspections or tests, revise or revoke any such payment recommendation previously made, to such extent as may be necessary in Engineer's opinion to protect Owner from loss because:

the Work is defective, or completed Work has been damaged, requiring correction or replacement;

the Contract Price has been reduced by Change Orders;

Owner has been required to correct defective Work or complete Work in accordance with Paragraph 13.09; or

Engineer has actual knowledge of the occurrence of any of the events enumerated in Paragraph 15.02.A.

Payment Becomes Due:

Ten days after presentation of the Application for Payment to Owner with Engineer's recommendation, the amount recommended will (subject to the provisions of Paragraph 14.02.D) become due, and when due will be paid by Owner to Contractor.

Reduction in Payment:

Owner may refuse to make payment of the full amount recommended by Engineer because:

claims have been made against Owner on account of Contractor's performance or furnishing of the Work;

Liens have been filed in connection with the Work, except where Contractor has delivered a specific bond satisfactory to Owner to secure the satisfaction and discharge of such Liens;

there are other items entitling Owner to a set-off against the amount recommended; or

Owner has actual knowledge of the occurrence of any of the events enumerated in Paragraphs 14.02.B.5.a through 14.02.B.5.c or Paragraph 15.02.A.

If Owner refuses to make payment of the full amount recommended by Engineer, Owner will give Contractor immediate written notice (with a copy to Engineer) stating the reasons for such action and promptly pay Contractor any amount remaining after deduction of the amount so withheld. Owner shall promptly pay Contractor the amount so withheld, or any adjustment thereto agreed to by Owner and Contractor, when Contractor remedies the reasons for such action.

Upon a subsequent determination that Owner's refusal of payment was not justified, the amount wrongfully withheld shall be treated as an amount due as determined by Paragraph 14.02.C.1 and subject to interest as provided in the Agreement.

Contractor's Warranty of Title

Contractor warrants and guarantees that title to all Work, materials, and equipment covered by any Application for Payment, whether incorporated in the Project or not, will pass to Owner no later than the time of payment free and clear of all Liens.

Substantial Completion

When Contractor considers the entire Work ready for its intended use Contractor shall notify Owner and Engineer in writing that the entire Work is substantially complete (except for items specifically listed by Contractor as incomplete) and request that Engineer issue a certificate of Substantial Completion.

Promptly after Contractor's notification, Owner, Contractor, and Engineer shall make an inspection of the Work to determine the status of completion. If Engineer does not consider the Work substantially complete, Engineer will notify Contractor in writing giving the reasons therefor.

If Engineer considers the Work substantially complete, Engineer will deliver to Owner a tentative certificate of Substantial Completion which shall fix the date of Substantial Completion. There shall be attached to the certificate a tentative list of items to be completed or corrected before

final payment. Owner shall have seven days after receipt of the tentative certificate during which to make written objection to Engineer as to any provisions of the certificate or attached list. If, after considering such objections, Engineer concludes that the Work is not substantially complete, Engineer will, within 14 days after submission of the tentative certificate to Owner, notify Contractor in writing, stating the reasons therefor. If, after consideration of Owner's objections, Engineer considers the Work substantially complete, Engineer will, within said 14 days, execute and deliver to Owner and Contractor a definitive certificate of Substantial Completion (with a revised tentative list of items to be completed or corrected) reflecting such changes from the tentative certificate as Engineer believes justified after consideration of any objections from Owner.

At the time of delivery of the tentative certificate of Substantial Completion, Engineer will deliver to Owner and Contractor a written recommendation as to division of responsibilities pending final payment between Owner and Contractor with respect to security, operation, safety, and protection of the Work, maintenance, heat, utilities, insurance, and warranties and guarantees. Unless Owner and Contractor agree otherwise in writing and so inform Engineer in writing prior to Engineer's issuing the definitive certificate of Substantial Completion, Engineer's aforesaid recommendation will be binding on Owner and Contractor until final payment.

Owner shall have the right to exclude Contractor from the Site after the date of Substantial Completion subject to allowing Contractor reasonable access to remove its property and complete or correct items on the tentative list.

Partial Utilization

Prior to Substantial Completion of all the Work, Owner may use or occupy any substantially completed part of the Work which has specifically been identified in the Contract Documents, or

which Owner, Engineer, and Contractor agree constitutes a separately functioning and usable part of the Work that can be used by Owner for its intended purpose without significant interference with Contractor's performance of the remainder of the Work, subject to the following conditions:

Owner at any time may request Contractor in writing to permit Owner to use or occupy any such part of the Work which Owner believes to be ready for its intended use and substantially complete. If and when Contractor agrees that such part of the Work is substantially complete, Contractor, Owner, and Engineer will follow the procedures of Paragraph 14.04.A through D for that part of the Work.

Contractor at any time may notify Owner and Engineer in writing that Contractor considers any such part of the Work ready for its intended use and substantially complete and request Engineer to issue a certificate of Substantial Completion for that part of the Work.

Within a reasonable time after either such request, Owner, Contractor, and Engineer shall make an inspection of that part of the Work to determine its status of completion. If Engineer does not consider that part of the Work to be substantially complete, Engineer will notify Owner and Contractor in writing giving the reasons therefor. If Engineer considers that part of the Work to be substantially complete, the provisions of Paragraph 14.04 will apply with respect to certification of Substantial Completion of that part of the Work and the division of responsibility in respect thereof and access thereto.

No use or occupancy or separate operation of part of the Work may occur prior to compliance with the requirements of Paragraph 5.10 regarding property insurance.

Final Inspection

Upon written notice from Contractor that the entire Work or an agreed portion thereof is complete, Engineer will promptly make a final inspection with Owner and Contractor and will notify Contractor in writing of all particulars in which this inspection reveals that the Work is incomplete or defective. Contractor shall immediately take such measures as are necessary to complete such Work or remedy such deficiencies.

Final Payment

Application for Payment:

After Contractor has, in the opinion of Engineer, satisfactorily completed all corrections identified during the final inspection and has delivered, in accordance with the Contract Documents, all maintenance and operating instructions, schedules, guarantees, bonds, certificates or other evidence of insurance, certificates of inspection, marked-up record documents (as provided in Paragraph 6.12), and other documents, Contractor may make application for final payment following the procedure for progress payments.

The final Application for Payment shall be accompanied (except as previously delivered) by:

all documentation called for in the Contract Documents, including but not limited to the evidence of insurance required by Paragraph 5.04.B.6;

consent of the surety, if any, to final payment;

a list of all Claims against Owner that Contractor believes are unsettled; and

complete and legally effective releases or waivers (satisfactory to Owner) of all Lien rights arising out of or Liens filed in connection with the Work.

In lieu of the releases or waivers of Liens specified in Paragraph 14.07.A.2 and as approved by Owner, Contractor may furnish receipts or releases in full and an affidavit of Contractor that: (i) the releases and receipts include all labor, services, material, and equipment for which a Lien could be filed; and (ii) all payrolls, material and equipment bills, and other indebtedness connected with the Work for which Owner might in any way be responsible, or which might in any way result in liens or other burdens on Owner's property, have been paid or otherwise satisfied. If any Subcontractor or Supplier fails to furnish such a release or receipt in full, Contractor may furnish a bond or other collateral satisfactory to Owner to indemnify Owner against any Lien.

Engineer's Review of Application and Acceptance:

If, on the basis of Engineer's observation of the Work during construction and final inspection, and Engineer's review of the final Application for Payment and accompanying

documentation as required by the Contract Documents, Engineer is satisfied that the Work has been completed and Contractor's other obligations under the Contract Documents have been fulfilled, Engineer will, within ten days after receipt of the final Application for Payment, indicate in writing Engineer's recommendation of payment and present the Application for Payment to Owner for payment. At the same time Engineer will also give written notice to Owner and Contractor that the Work is acceptable subject to the provisions of Paragraph 14.09. Otherwise, Engineer will return the Application for Payment to Contractor, indicating in writing the reasons for refusing to recommend final payment, in which case Contractor shall make the necessary corrections and resubmit the Application for Payment.

Payment Becomes Due:

Thirty days after the presentation to Owner of the Application for Payment and accompanying documentation, the amount recommended by Engineer, less any sum Owner is entitled to set off against Engineer's recommendation, including but not limited to liquidated damages, will become due and will be paid by Owner to Contractor.

Final Completion Delayed

If, through no fault of Contractor, final completion of the Work is significantly delayed, and if Engineer so confirms, Owner shall, upon receipt of Contractor's final Application for Payment (for Work fully completed and accepted) and recommendation of Engineer, and without terminating the Contract, make payment of the balance due for that portion of the Work fully completed and accepted. If the remaining balance to be held by Owner for Work not fully completed or corrected is less than the retainage stipulated in the Agreement, and if bonds have been furnished as required in Paragraph 5.01, the written consent of the surety to the payment of

the balance due for that portion of the Work fully completed and accepted shall be submitted by Contractor to Engineer with the Application for such payment. Such payment shall be made under the terms and conditions governing final payment, except that it shall not constitute a waiver of Claims.

Waiver of Claims

The making and acceptance of final payment will constitute:

- a waiver of all Claims by Owner against Contractor, except Claims arising from unsettled Liens, from defective Work appearing after final inspection pursuant to Paragraph 14.06, from failure to comply with the Contract Documents or the terms of any special guarantees specified therein, or from Contractor's continuing obligations under the Contract Documents; and
- a waiver of all Claims by Contractor against Owner other than those previously made in accordance with the requirements herein and expressly acknowledged by Owner in writing as still unsettled.

SUSPENSION OF WORK AND TERMINATION

Owner May Suspend Work

At any time and without cause, Owner may suspend the Work or any portion thereof for a period of not more than 90 consecutive days by notice in writing to Contractor and Engineer which will fix the date on which Work will be resumed. Contractor shall resume the Work on the date so fixed. Contractor shall be granted an adjustment in the Contract Price or an extension of the Contract Times, or both, directly attributable to any such suspension if Contractor makes a Claim therefor as provided in Paragraph 10.05.

Owner May Terminate for Cause

The occurrence of any one or more of the following events will justify termination for cause:

Contractor's persistent failure to perform the Work in accordance with the Contract Documents (including, but not limited to, failure to supply sufficient skilled workers or suitable materials or equipment or failure to adhere to the Progress Schedule established under Paragraph 2.07 as adjusted from time to time pursuant to Paragraph 6.04);

Contractor's disregard of Laws or Regulations of any public body having jurisdiction;

Contractor's repeated disregard of the authority of Engineer; or

Contractor's violation in any substantial way of any provisions of the Contract Documents.

If one or more of the events identified in Paragraph 15.02.A occur, Owner may, after giving Contractor (and surety) seven days written notice of its intent to terminate the services of Contractor:

exclude Contractor from the Site, and take possession of the Work and of all Contractor's tools, appliances, construction equipment, and machinery at the Site, and use the same to the full extent they could be used by Contractor (without liability to Contractor for trespass or conversion);

incorporate in the Work all materials and equipment stored at the Site or for which Owner has paid Contractor but which are stored elsewhere; and

complete the Work as Owner may deem expedient.

If Owner proceeds as provided in Paragraph 15.02.B, Contractor shall not be entitled to receive any further payment until the Work is completed. If the unpaid balance of the Contract Price exceeds all claims, costs, losses, and damages (including but not limited to all fees and charges of engineers, architects, attorneys, and other professionals and all court or arbitration or other dispute resolution costs) sustained by Owner arising out of or relating to completing the Work, such excess will be paid to Contractor. If such claims, costs, losses, and damages exceed such unpaid balance, Contractor shall pay the difference to Owner. Such claims, costs, losses, and damages incurred by Owner will be reviewed by Engineer as to their reasonableness and, when

so approved by Engineer, incorporated in a Change Order. When exercising any rights or remedies under this Paragraph, Owner shall not be required to obtain the lowest price for the Work performed.

Notwithstanding Paragraphs 15.02.B and 15.02.C, Contractor's services will not be terminated if Contractor begins within seven days of receipt of notice of intent to terminate to correct its failure to perform and proceeds diligently to cure such failure within no more than 30 days of receipt of said notice.

Where Contractor's services have been so terminated by Owner, the termination will not affect any rights or remedies of Owner against Contractor then existing or which may thereafter accrue. Any retention or payment of moneys due Contractor by Owner will not release Contractor from liability.

If and to the extent that Contractor has provided a performance bond under the provisions of Paragraph 5.01.A, the termination procedures of that bond shall supersede the provisions of Paragraphs 15.02.B and 15.02.C.

Owner May Terminate For Convenience

Upon seven days written notice to Contractor and Engineer, Owner may, without cause and without prejudice to any other right or remedy of Owner, terminate the Contract. In such case, Contractor shall be paid for (without duplication of any items):

completed and acceptable Work executed in accordance with the Contract Documents prior to the effective date of termination, including fair and reasonable sums for overhead and profit on such Work;

expenses sustained prior to the effective date of termination in performing services and furnishing labor, materials, or equipment as required by the Contract Documents in connection with uncompleted Work, plus fair and reasonable sums for overhead and profit on such expenses;

all claims, costs, losses, and damages (including but not limited to all fees and charges of engineers, architects, attorneys, and other professionals and all court or arbitration or other dispute resolution costs) incurred in settlement of terminated contracts with Subcontractors, Suppliers, and others; and

reasonable expenses directly attributable to termination.

Contractor shall not be paid on account of loss of anticipated profits or revenue or other economic loss arising out of or resulting from such termination.

Contractor May Stop Work or Terminate

If, through no act or fault of Contractor, (i) the Work is suspended for more than 90 consecutive days by Owner or under an order of court or other public authority, or (ii) Engineer fails to act on any Application for Payment within 30 days after it is submitted, or (iii) Owner fails for 30 days

to pay Contractor any sum finally determined to be due, then Contractor may, upon seven days written notice to Owner and Engineer, and provided Owner or Engineer do not remedy such suspension or failure within that time, terminate the Contract and recover from Owner payment on the same terms as provided in Paragraph 15.03.

In lieu of terminating the Contract and without prejudice to any other right or remedy, if Engineer has failed to act on an Application for Payment within 30 days after it is submitted, or Owner has failed for 30 days to pay Contractor any sum finally determined to be due, Contractor may, seven days after written notice to Owner and Engineer, stop the Work until payment is made of all such amounts due Contractor, including interest thereon. The provisions of this Paragraph 15.04 are not intended to preclude Contractor from making a Claim under Paragraph 10.05 for an adjustment in Contract Price or Contract Times or otherwise for expenses or damage directly attributable to Contractor's stopping the Work as permitted by this Paragraph.

DISPUTE RESOLUTION

Methods and Procedures

Either Owner or Contractor may request mediation of any Claim submitted to Engineer for a decision under Paragraph 10.05 before such decision becomes final and binding. The mediation will be governed by the Construction Industry Mediation Rules of the American Arbitration Association in effect as of the Effective Date of the Agreement. The request for mediation shall be submitted in writing to the American Arbitration Association and the other party to the Contract. Timely submission of the request shall stay the effect of Paragraph 10.05.E.

Owner and Contractor shall participate in the mediation process in good faith. The process shall be concluded within 60 days of filing of the request. The date of termination of the mediation shall be determined by application of the mediation rules referenced above.

If the Claim is not resolved by mediation, Engineer's action under Paragraph 10.05.C or a denial pursuant to Paragraphs 10.05.C.3 or 10.05.D shall become final and binding 30 days after termination of the mediation unless, within that time period, Owner or Contractor:

elects in writing to invoke any dispute resolution process provided for in the Supplementary Conditions; or

agrees with the other party to submit the Claim to another dispute resolution process; or

gives written notice to the other party of the intent to submit the Claim to a court of competent jurisdiction.

MISCELLANEOUS

Giving Notice

Whenever any provision of the Contract Documents requires the giving of written notice, it will be deemed to have been validly given if:

delivered in person to the individual or to a member of the firm or to an officer of the corporation for whom it is intended; or

delivered at or sent by registered or certified mail, postage prepaid, to the last business address known to the giver of the notice.

Computation of Times

When any period of time is referred to in the Contract Documents by days, it will be computed to exclude the first and include the last day of such period. If the last day of any such period falls on a Saturday or Sunday or on a day made a legal holiday by the law of the applicable jurisdiction, such day will be omitted from the computation.

Cumulative Remedies

The duties and obligations imposed by these General Conditions and the rights and remedies available hereunder to the parties hereto are in addition to, and are not to be construed in any way as a limitation of, any rights and remedies available to any or all of them which are otherwise imposed or available by Laws or Regulations, by special warranty or guarantee, or by other provisions of the Contract Documents. The provisions of this Paragraph will be as effective as if repeated specifically in the Contract Documents in connection with each particular duty, obligation, right, and remedy to which they apply.

Survival of Obligations

All representations, indemnifications, warranties, and guarantees made in, required by, or given in accordance with the Contract Documents, as well as all continuing obligations indicated in the Contract Documents, will survive final payment, completion, and acceptance of the Work or termination or completion of the Contract or termination of the services of Contractor.

Controlling Law

This Contract is to be governed by the law of the state in which the Project is located.

Headings

Article and paragraph headings are inserted for convenience only and do not constitute parts of these General Conditions.

