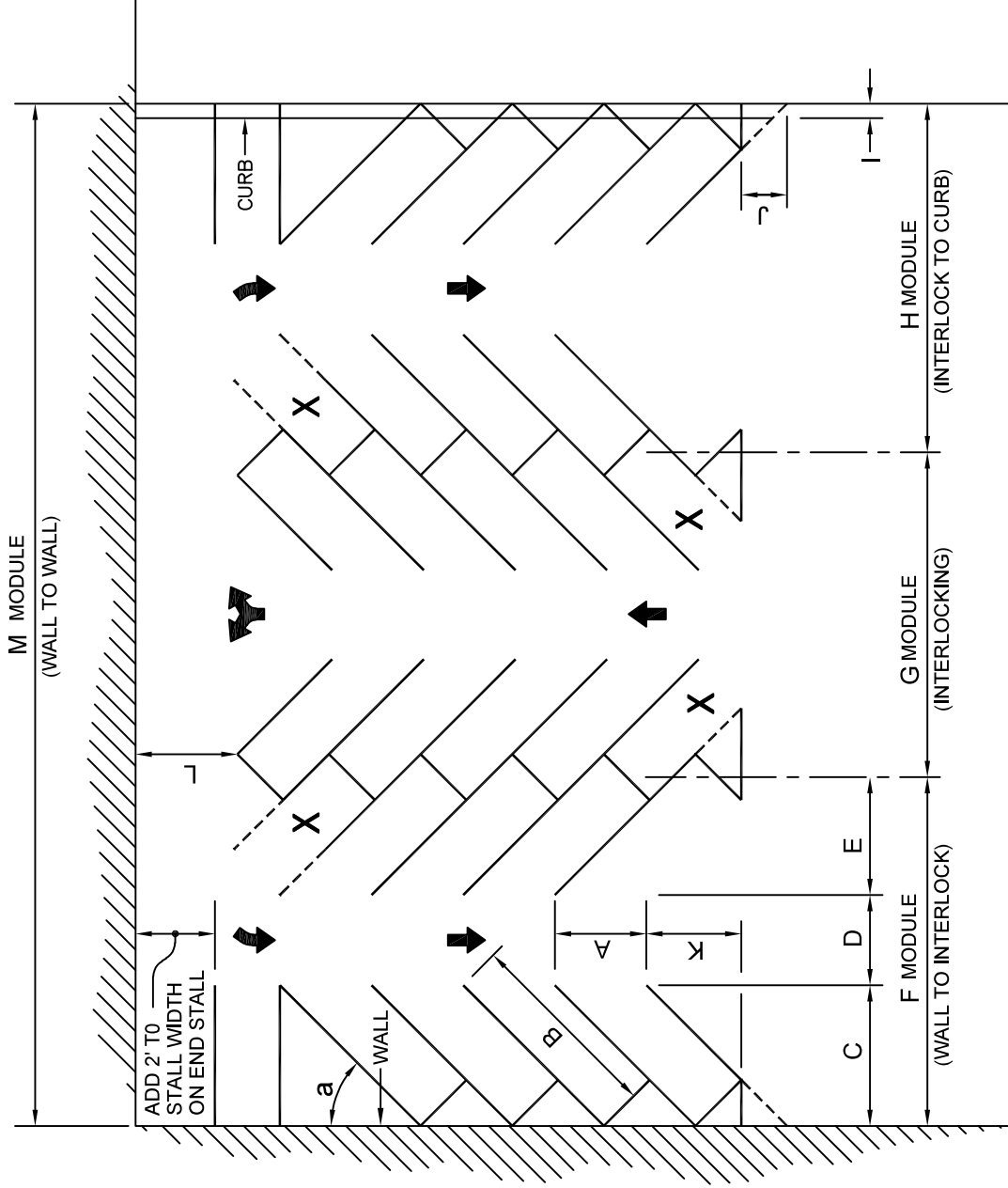


# TABLE OF DETAILS

Detail Number	Title
<b>Parking Details</b>	
430.01	Minimum Parking Standards
430.02	Minimum Parking Standards
430.03	Minimum Parking Standards



**NOTES:**

X = STALL NOT ACCESSIBLE IN CERTAIN LAYOUTS



ENGINEERING DEPARTMENT  
Greenville, North Carolina 27834

**CITY OF GREENVILLE, N.C.**

www.greenvillenc.gov

Rev.	Date	Description	Approved
1	9/1/23	APPROVAL	L. KIRBY

Scale: not to scale	Sheet #: 1 of 1	Detail #: <b>430.01</b>
------------------------	--------------------	----------------------------

**MINIMUM PARKING STANDARDS**

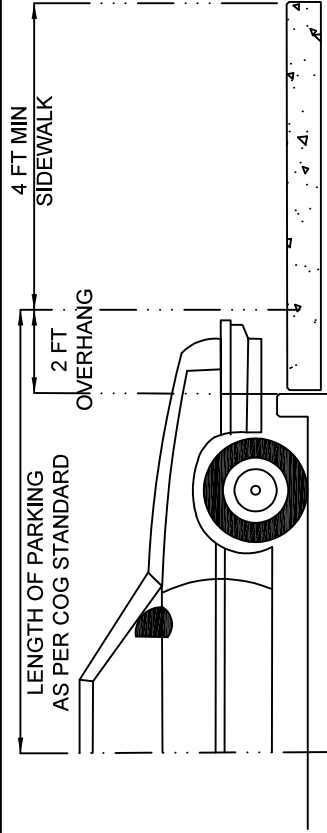
## ANGLE

	45°			60°			75°			90°								
	A	B	C	D	E	F	G	H	I	J	K	L <sub>1</sub>	L <sub>2</sub>	M	7.5' Compacts Only	8.5'	9.0'	9.5'
Stall width, parallel to aisle	10.6	12.0	12.7	13.4	8.7	9.8	10.4	10.9	7.8	8.8	9.3	9.8	7.5	7.5	7.5	8.5	9.0	9.5
Stall length of line	24.0	25.0	25.0	25.0	20.4	22.0	22.0	22.0	17.9	20.0	20.0	20.0	16.0	16.0	16.0	18.5	18.5	18.5
Stall depth of line	17.0	17.7	17.7	17.7	17.7	19.0	19.0	19.0	17.2	19.3	19.3	19.3	16.0	16.0	16.0	18.5	18.5	18.5
Aisle width between stall lines	11.0	13.0	12.0	11.0	14.0	18.0	16.0	15.0	17.4	25.0	23.0	22.0	20.0	20.0	20.0	28.0	26.0	25.0
Stall depth, interlock	14.3	14.7	14.5	14.3	15.8	16.9	16.8	16.6	16.2	18.2	18.1	18.1	16.0	16.0	16.0	18.5	18.5	18.5
Module, wall to interlock	42.3	45.4	44.2	43.0	47.5	53.9	51.8	50.6	50.8	60.9	60.4	59.4	52.0	52.0	52.0	65.0	63.0	62.0
Module, interlocking	39.6	42.4	41.0	39.6	45.6	51.8	49.6	48.2	49.2	61.4	59.2	58.2	48.3	48.3	49.5	62.5	60.5	59.5
Module, interlock to curb face	40.3	43.4	42.2	41.0	45.2	51.6	49.5	48.3	48.3	58.4	57.9	56.9	2.5	2.5	2.5	2.5	2.5	2.5
Bumper overhang (typical)	2.0	2.0	2.0	2.0	2.3	2.3	2.3	2.3	2.5	2.5	2.5	2.5	0.0	0.0	0.0	0.0	0.0	0.0
Offset	5.3	6.0	6.4	6.7	1.9	2.1	2.3	2.4	0.5	0.6	0.6	0.6	4.5	4.6	4.6	4.6	4.6	4.6
Setback	11.7	11.7	11.3	11.0	8.2	9.0	8.8	8.7	4.5	4.6	4.6	4.6	13	14	14	14	14	14
Cross aisle, one-way	13	14	14	14	13	14	14	14	22	24	24	24	22	24	24	24	24	24
Cross aisle, two-way	22	24	24	24	22	24	24	2.4	51.8	63.6	61.6	60.6	52.0	65.0	63.0	63.0	62.0	62.0
Module, wall to wall	45.0	48.4	47.4	46.4	49.4	56.0	54.0	53.0	7.5	8.5	9.0	9.5	7.5	8.5	9.0	9.5	9.5	9.5
STALL WIDTH	7.5' Compacts Only	8.5'	9.0'	9.5'	7.5' Compacts Only	8.5'	9.0'	9.5'	7.5' Compacts Only	8.5'	9.0'	9.5'	7.5' Compacts Only	8.5'	9.0'	9.5'	9.5'	9.5'

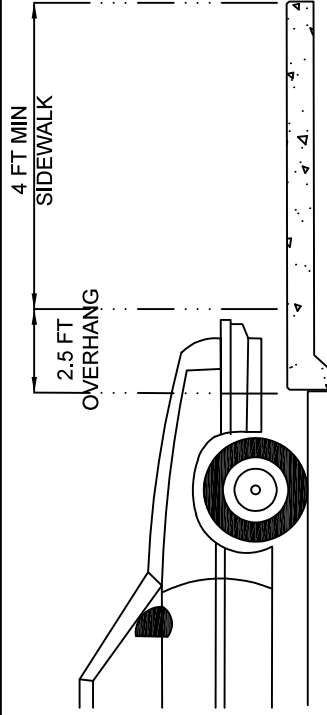
### NOTES:

- All site lighting shall comply with the Lighting Standards for the City of Greenville.

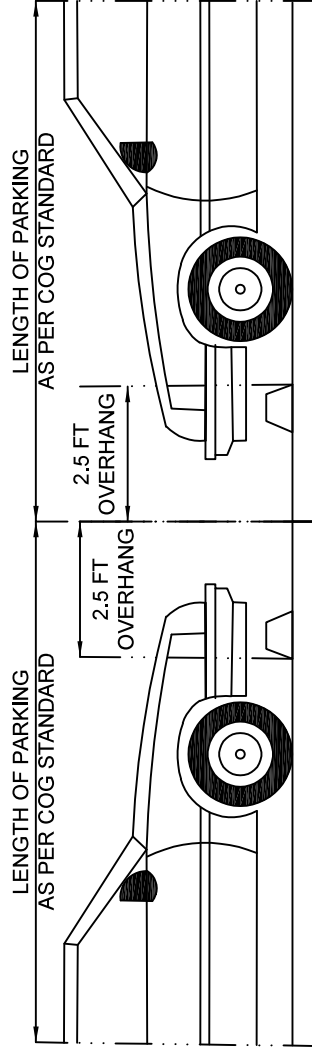




**CURBED EDGE  
SIDEWALK DETAIL**

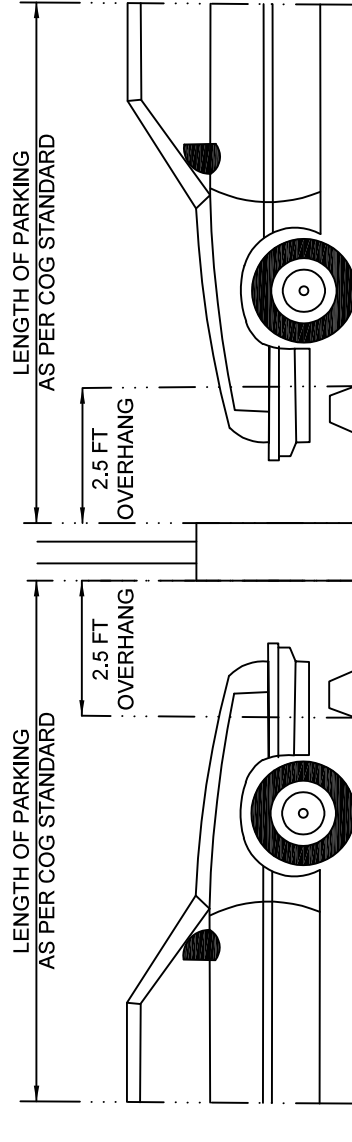


**THICKENED EDGE  
SIDEWALK DETAIL**



**WHEEL STOP**

**PLACEMENT IN INTERLOCKING PARKING**



**PARKING LOT WITH CONFLICT**



ENGINEERING DEPARTMENT  
Greenville, North Carolina 27834

**CITY OF GREENVILLE, N.C.**

www.greenvillenc.gov

Rev.	Date	Description	Approved
1	9/1/23	APPROVAL	L. KIRBY

Scale: not to scale	Sheet #: 1 of 1	Detail #: <b>430.03</b>
------------------------	--------------------	----------------------------